

0CD50-M02300EN

P R E F A C E

This parts catalog is the 1st edition of 4TNV98-ZNIME for IHlmer.

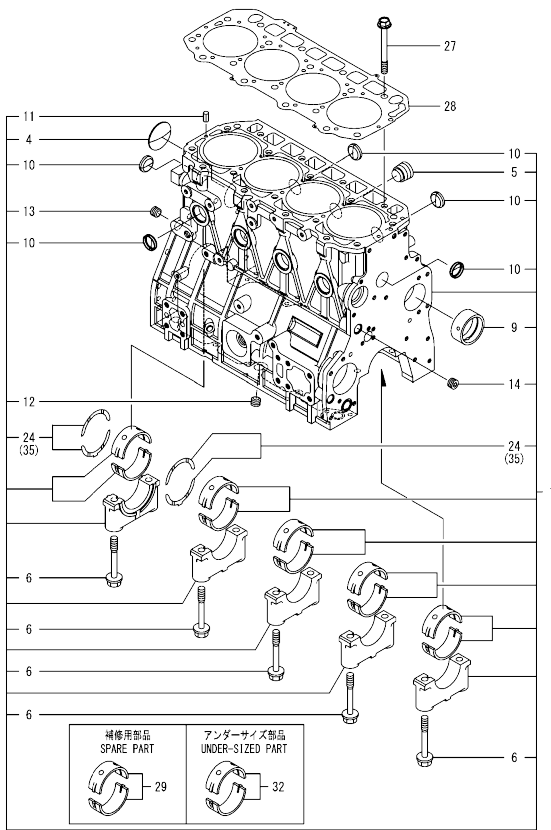
Published : May, 2016

Contents

OCD50-M02300

Fig. No.	Fig. Name	Fig. No.	Fig. Name
ENGINE			
1.	CYLINDER BLOCK		
2.	GEAR HOUSING		
3.	FLYWHEEL HOUSING & OIL SUMP		
4.	CYLINDER HEAD & BONNET		
5.	SUCTION MANIFOLD & AIR CLEANER		
6.	EXHAUST MANIFOLD & SILENCER		
7.	CAMSHAFT & DRIVING GEAR		
8.	CRANKSHAFT & PISTON		
9.	LUB. OIL SYSTEM		
10.	COOLING WATER SYSTEM		
11.	FUEL INJECTION PUMP		
12.	GOVERNOR		
13.	FUEL INJECTION VALVE		
14.	FUEL PIPE		
15.	STARTER MOTOR		
16.	GENERATOR		
17.	ELECTRONIC CONTROL UNIT(ECU)		
18.	ACCESSORY		

Fig.1. CYLINDER BLOCK



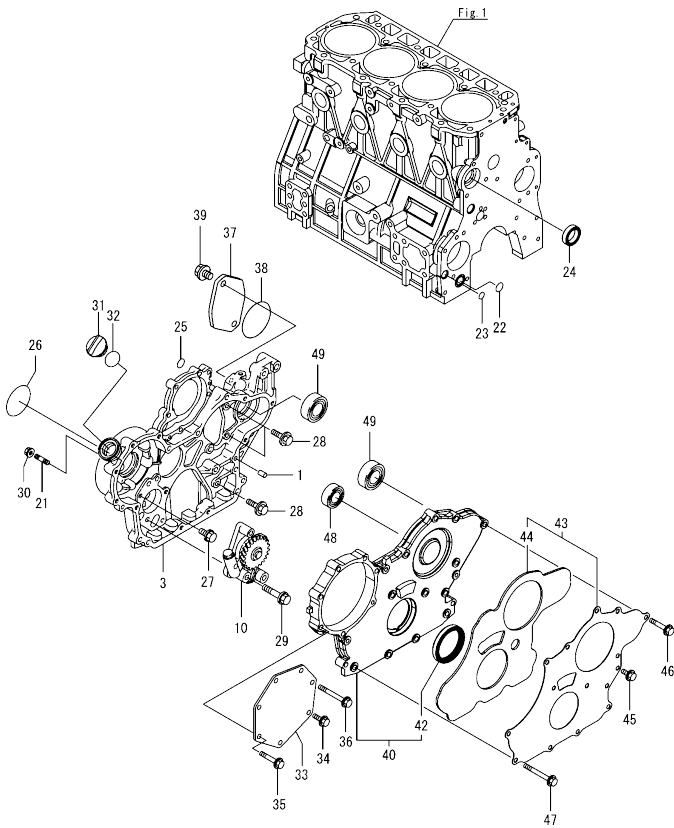
(A)=4TNV98-ZNIME
(B)=
(C)=

(D)=
(E)=
(F)=

No.	Lev.	Parts No.	Description	Q'ty						I	R
				(A)	(B)	(C)	(D)	(E)	(F)		
1	1	729927-01560	BLOCK ASSY, CYLINDER	1							
4	2	129900-01250	PLUG, DISH TYPE 55	1							
5	2	171051-01921	PLUG, NPTF1	1							
6	2	129900-02020	BOLT, METAL CAP	10							
9	2	129900-02410	BUSH, CAMSHAFT	1							
10	2	27241-300000	PLUG 30	8							
11	2	22351-060012	PIN, SPRING 6.0X12	2							
12	2	23876-030000	PLUG, R03	1							
13	2	23876-030000	PLUG, R03	1							
14	2	23876-030000	PLUG, R03	1							
24	2	129900-02931	BEARING ASSY, THRUST	2							
27	1	129900-01200	BOLT, CYLINDER HEAD	18							
28	1	129907-01331	GASKET, HEAD	1							
29	1	729900-02801	BEARING, MAIN	5							1
32	1	129900-02341	BEARING ASSY, MAIN	5							2
35	1	129900-02941	BEARING, THRUST 0.25	2							3

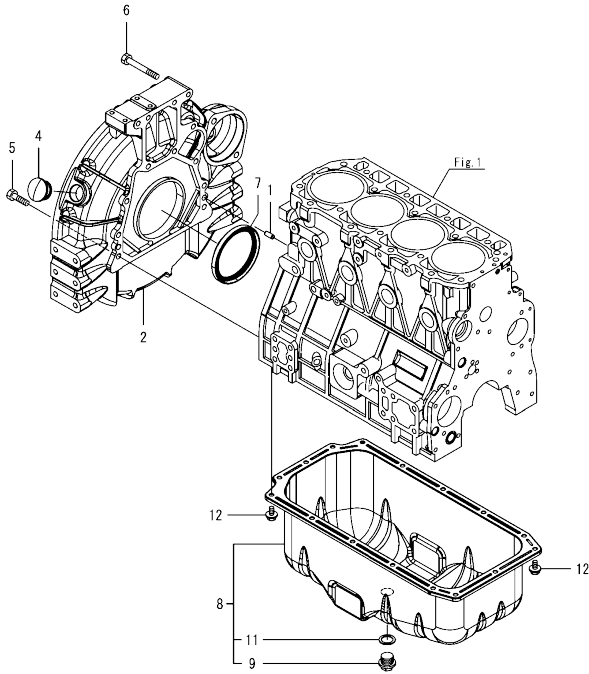
Remarks
 (1)Spare parts.
 (2)Under-sized(U.S.=0.25) parts.
 (3)Over-sized(O.S.=0.25) parts.

Fig.2. GEAR HOUSING



No.	Lev.	Parts No.	Description	Qty						I	R
				(A)	(B)	(C)	(D)	(E)	(F)		
1	1	129100-01580	PIN, PARALLEL 8X16	4							
3	1	129962-01500	CASE, GEAR	1							
10	1	129900-32001	PUMP ASSY, OIL	1							
21	1	26216-100302	STUD, M10X 30	4							
22	1	129900-32030	O-RING, P20	1							
23	1	129900-32040	O-RING, P14	1							
24	1	129927-42140	GASKET, CW-P OUT	1							
25	1	24311-000070	O-RING, 1AP7.0	1							
26	1	24351-030750	O-RING, 1A3075	1							
27	1	26106-080162	BOLT, M8X 16 PLATED	1							
28	1	26106-080202	BOLT, M8X 20 PLATED	3							
29	1	26106-080452	BOLT, M8X 45 PLATED	3							
30	1	26306-100002	NUT, M10	4							
31	1	124160-01751	CAP, FILLER	1							
32	1	24311-000320	O-RING, 1AP32.0	1							
33	1	129951-01740	COVER	1							
34	1	26106-080202	BOLT, M8X 20 PLATED	1							
35	1	26106-080452	BOLT, M8X 45 PLATED	5							
36	1	26106-080752	BOLT, M8X 75 PLATED	1							
37	1	121023-26071	COVER, PUMP	1							
38	1	24321-000850	O-RING, 1AG85.0	1							
39	1	26106-100202	BOLT, M10X 20 PLATED	2							
40	1	729907-01559	COVER ASSY,GEAR CASE	1							
42	2	129916-01800	SEAL, OIL	1							
43	1	129900-01850	COVER ASSY,GEAR CASE	1							
44	2	129900-01870	SPONGE, GEAR CASE	1							
45	1	26106-080162	BOLT, M8X 16 PLATED	3							
46	1	26106-080402	BOLT, M8X 40 PLATED	5							
47	1	26106-080702	BOLT, M8X 70 PLATED	6							
48	1	129900-14140	BEARING, BALL 6205	1							
49	1	129900-26250	BEARING, BALL 6206C3	2							

Fig.3. FLYWHEEL HOUSING & OIL SUMP

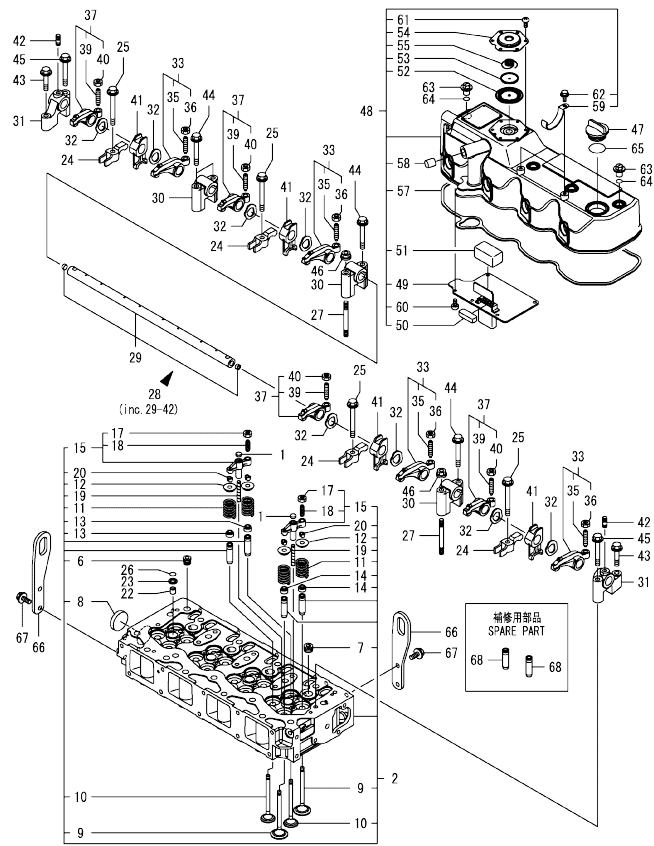


(A)=4TNV98-ZNIME
(B)=
(C)=

(D)=
(E)=
(F)=

No.	Lev.	Parts No.	Description	Q'ty						I	R
				(A)	(B)	(C)	(D)	(E)	(F)		
1	1	129100-01580	PIN, PARALLEL 8X16	2							
2	1	129900-01620	HOUSING, FLYWHEEL	1							
4	1	119620-01750	CAP	1							
5	1	26206-100352	BOLT, M10X 35 PLATED	9							
6	1	26206-100702	BOLT, M10X 70 PLATED	4							
7	1	129916-01790	SEAL, D115/95XT11	1							
8	1	129916-01710	OIL PAN ASSY	1							
9	2	119640-01640	PLUG, DRAIN M22	1							
11	2	22190-220002	WASHER, SEAL 22	1							
12	1	26106-080122	BOLT, M8X 12 PLATED	16							

Fig.4. CYLINDER HEAD & BONNET



(A)=4TNV98-ZNIME
(B)=
(C)=

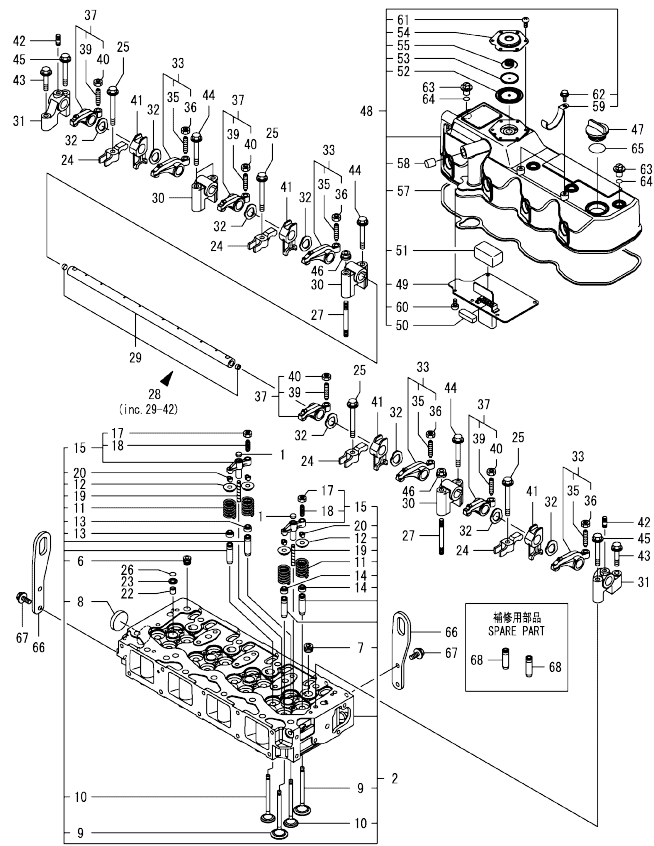
(D)=
(E)=
(F)=

No.	Lev.	Parts No.	Description	Q'ty						I	R
				(A)	(B)	(C)	(D)	(E)	(F)		
1	1	123907-11550	SEAT, VALVE BRIDGE	8							
2	1	129927-11700	HEAD ASSY, CYLINDER	1							
6	2	23876-020000	PLUG, R02	1							
7	2	23876-030000	PLUG, R03	4							
8	2	27241-400000	PLUG, 40	1							
9	2	129907-11100	VALVE, SUCTION	8							
10	2	129907-11110	VALVE, EXHAUST	8							
11	2	129907-11120	SPRING, VALVE	16							
12	2	119620-11180	RETAINER, SPRING	16							
13	2	119803-11340	SEAL, VALVE STEM	8							
14	2	124160-11340	SEAL, VALVE STEM	8							
15	2	129907-11510	BRIDGE ASSY, VALVE	8							
17	3	129150-11750	NUT, M8	8							
18	3	123907-11830	ADJUSTER	8							
19	2	123907-11820	GUIDE, BRIDGE	8							
20	2	27310-070001	COTTER, 7	16							
22	1	119802-11870	PROTECTOR, NOZZLE	4							
23	1	119625-11880	SEAT, NOZZLE	4							
24	1	129907-11910	RETAINER, NOZZLE	4							
25	1	129907-11950	BOLT, M8X75	4							
26	1	24311-000120	O-RING, 1AP12.0	4							
27	1	119593-11301	BOLT, STUD M8X80	2							
28	1	129907-11341	SHAFT ASSY, ROCKER	1							
29	2	129907-11250	SHAFT, ROCKER ARM	1							
30	2	129907-11260	SUPPORT, ROCKER ARM	3							
31	2	129907-11270	SUPPORT, ROCKER ARM	2							
32	2	123907-11280	WASHER	8							
33	2	129907-11650	ARM ASSY, ROCKER	4							
35	3	129150-11230	SCREW, VALVE ADJUST	4							
36	3	129150-11750	NUT, M8	4							
37	2	129907-11660	ARM ASSY, ROCKER	4							
39	3	129150-11230	SCREW, VALVE ADJUST	4							
40	3	129150-11750	NUT, M8	4							
41	2	129907-11920	RETAINER, NOZZLE	4							
42	2	26226-080222	STUD, M8X 22	2							
43	1	26106-080402	BOLT, M8X 40 PLATED	2							
44	1	26106-080602	BOLT, M8X 60 PLATED	4							
45	1	26106-080602	BOLT, M8X 60 PLATED	2							
46	1	26306-080002	NUT, M8	2							
47	1	124160-01751	CAP, FILLER	1							
48	1	129927-11320	BONNET ASSY, HEAD	1							
49	2	129907-03011	PLATE, BAFFLE	1							
50	2	129907-03061	BAFFLE, BREATHER	1							
51	2	129907-03070	BAFFLE, BREATHER	1							
52	2	123907-03100	DIAPHRAGM	1							
53	2	123907-03110	PLATE	1							
54	2	123907-03120	PLATE, BREATHER	1							
55	2	123907-03140	SPRING, DIAPHRAGM	1							
57	2	129933-11310	GASKET, BONNET	1							
58	2	119640-61400	PLUG	1							
59	2	175339-79700	CLIP	2							

Remarks

(1) Spare parts.

Fig.4. CYLINDER HEAD & BONNET



(A)=4TNV98-ZNIME
(B)=
(C)=

(D)=
(E)=
(F)=

No.	Lev.	Parts No.	Description	Q'ty						I	R
				(A)	(B)	(C)	(D)	(E)	(F)		
60	2	22857-500100	SCREW, 5X10	6							
61	2	22857-500100	SCREW, 5X10	6							
62	2	26106-060122	BOLT, M6X 12 PLATED	2							
63	1	124160-11360	KNOB	4							
64	1	24311-000120	O-RING, 1AP12.0	4							
65	1	24311-000320	O-RING, 1AP32.0	1							
66	1	129907-07900	LIFTER, ENGINE	2							
67	1	26106-080162	BOLT, M8X 16 PLATED	4							
68	1	129907-11800	GUIDE, VALVE	16							1

Remarks

(1) Spare parts.

Fig.5. SUCTION MANIFOLD & AIR CLEANER

(A)=4TNV98-ZNIME
(B)=
(C)=

(D)=
(E)=
(F)=

No.	Lev.	Parts No.	Description	Q'ty					
				(A)	(B)	(C)	(D)	(E)	(F)
1	1	129907-12110	GASKET, MANIFOLD	1					
2	1	129927-12150	MANIFOLD ASSY,INTAKE	1					
3	2	129927-12100	MANIFOLD, AIR INTAKE	1					
4	2	26216-060202	STUD, M6X 20		2				
5	1	26106-080452	BOLT, M8X 45 PLATED		6				
6	1	26106-080802	BOLT, M8X 80 PLATED		4				
7	1	121850-77021	GASKET, AIR HEATER	1					
8	1	129915-77051	HEATER, AIR 12V	1					
9	1	26106-080352	BOLT, M8X 35 PLATED		4				

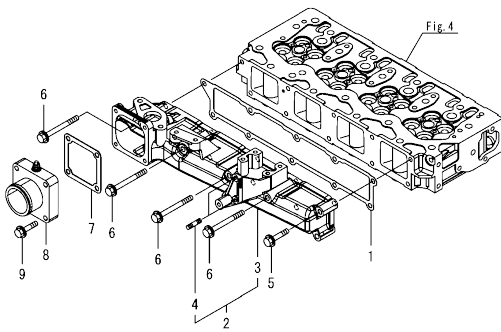
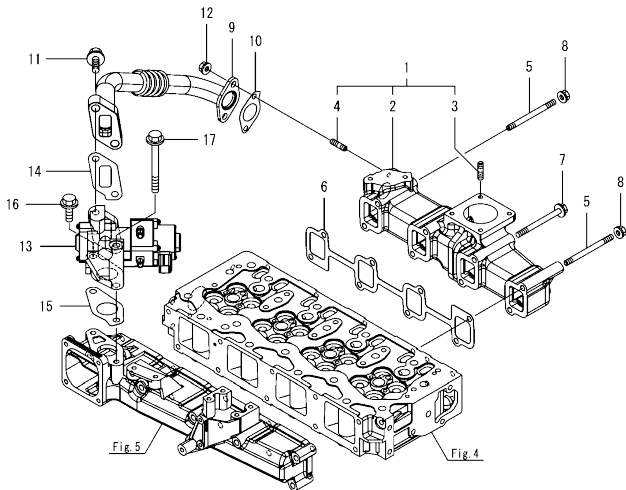


Fig.6. EXHAUST MANIFOLD & SILENCER

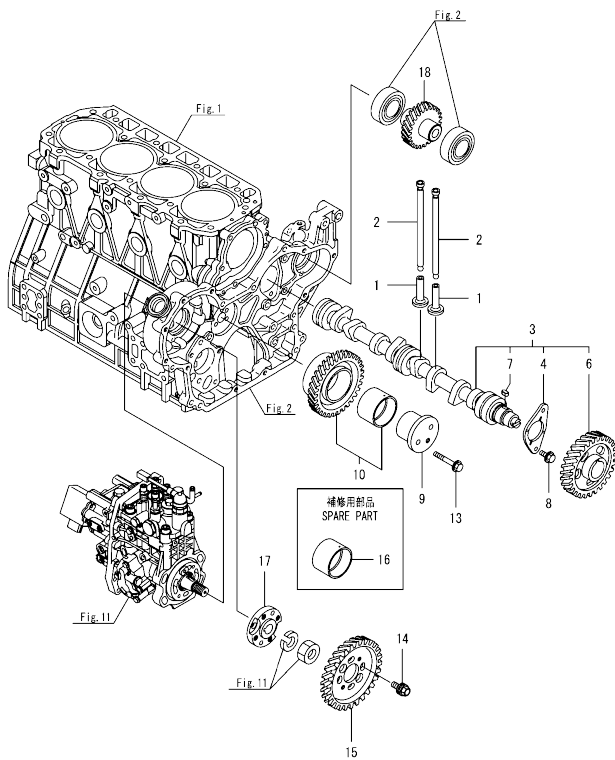


(A)=4TNV98-ZNIME
(B)=
(C)=

(D)=
(E)=
(F)=

No.	Lev.	Parts No.	Description	Q'ty						I	R
				(A)	(B)	(C)	(D)	(E)	(F)		
1	1	129927-13150	MANIFOLD ASSY, EXH.	1							
2	2	129927-13101	MANIFOLD, EXHAUST	1							
3	2	119131-18320	BOLT, STUD M8X22	4							
4	2	129418-18320	BOLT, STUD M8X20	2							
5	1	129263-13210	BOLT, STUD M8X90	2							
6	1	129900-13251	GASKET, EXH.MANIFOLD	1							
7	1	129E00-13650	BOLT, M8X90 10.9T	6							
8	1	26306-080002	NUT, M8	2							
9	1	129927-13800	PIPE ASSY, EGR	1							
10	1	129927-13810	GASKET	1							
11	1	26106-100302	BOLT, M10X 30 PLATED	2							
12	1	26306-080002	NUT, M8	2							
13	1	129928-13900	VALVE, EGR	1							
14	1	129927-13910	GASKET, EGR	1							
15	1	129927-13920	GASKET, EGR	1							
16	1	26106-100302	BOLT, M10X 30 PLATED	1							
17	1	26106-100952	BOLT, M10X 95 PLATED	1							

Fig.7. CAMSHAFT & DRIVING GEAR



(A)=4TNV98-ZNIME
(B)=
(C)=

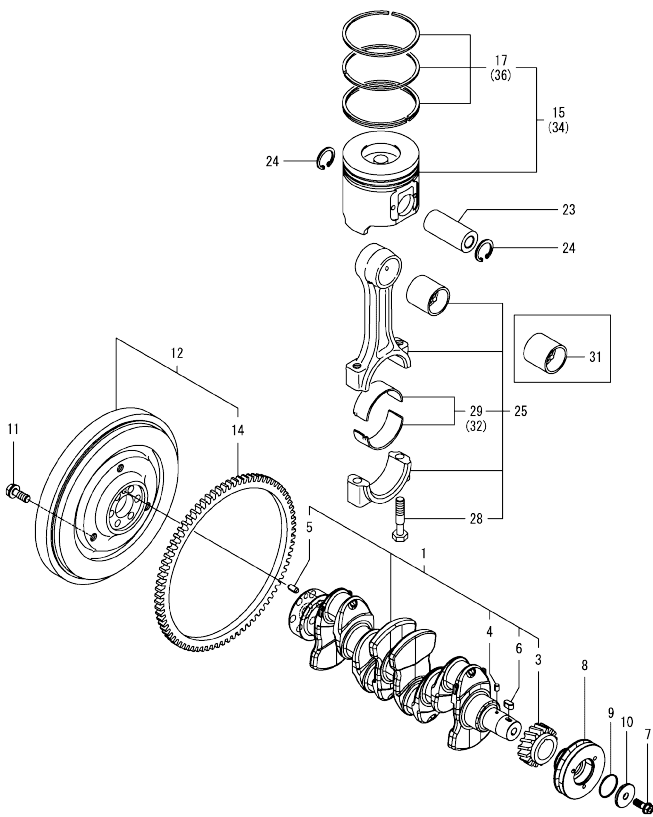
(D)=
(E)=
(F)=

No.	Lev.	Parts No.	Description	Q'ty						I	R
				(A)	(B)	(C)	(D)	(E)	(F)		
1	1	129150-14200	TAPPET	8							
2	1	129907-14400	PUSH-ROD	8							
3	1	129908-14581	CAMSHAFT ASSY	1							
4	2	129150-02450	BEARING, THRUST	1							
6	2	129900-14100	GEAR, CAMSHAFT	1							
7	2	22512-070140	KEY, 7X 14	1							
8	1	26106-080142	BOLT, M8X 14 PLATED	2							
9	1	123900-25060	SHAFT, IDLE GEAR	1							
10	1	129900-25100	GEAR ASSY, IDLE	1							
13	1	26106-080552	BOLT, M8X 55 PLATED	3							
14	1	129953-25300	BOLT	4							
15	1	129907-25900	GEAR, PUMP	1							
16	1	129150-25920	BUSH, IDLE GEAR	1							1
17	1	158563-51150	FLANGE	1							
18	1	129900-26030	GEAR ASSY, PUMP	1							

Remarks

(1)Spare parts.

Fig.8. CRANKSHAFT & PISTON



(A)=4TNV98-ZNIME
(B)=
(C)=

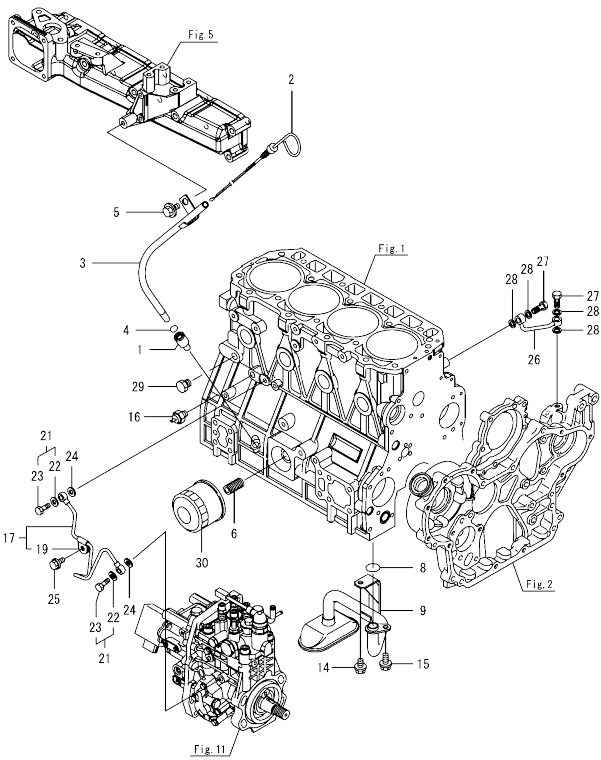
(D)=
(E)=
(F)=

No.	Lev.	Parts No.	Description	Q'ty						I	R
				(A)	(B)	(C)	(D)	(E)	(F)		
1	1	129902-21000	CRANKSHAFT ASSY	1							
3	2	129900-21200	GEAR, CRANKSHAFT	1							
4	2	121850-21290	PIN	1							
5	2	121850-21920	PIN, PARALLEL 10X22	1							
6	2	22512-070140	KEY, 7X 14	1							
7	1	129916-21610	BOLT	1							
8	1	129907-21650	V-PULLEY, CRANK 130	1							
9	1	129960-21930	GASKET, WASHER	1							
10	1	129960-21940	WASHER, V-PULLEY	1							
11	1	121850-21130	BOLT, FLYWHEEL	6							
12	1	129953-21570	FLYWHEEL ASSY	1							
14	2	129900-21600	GEAR, RING	1							
15	1	129927-22080	PISTON ASSY	4							
17	2	129927-22050	RING SET, PISTON	4							
23	1	120130-22301	PIN, PISTON	4							
24	1	22252-000300	RING, 30	8							
25	1	129900-23001	ROD ASSY, CONNECTING	4							
28	2	129900-23200	BOLT, CONNECTING ROD	8							
29	2	129900-23601	BEARING, CRANK PIN	4							
31	1	129900-23911	BEARING, PISTON PIN	4							1
32	1	129900-23611	BEARING ASSY, 0.25US	4							2
34	1	729927-22900	PISTON ASSY, 0.25 OS	4							3
36	2	729927-22950	RING SET, 0.25 OS	4							3

Remarks

- (1)Spare parts.
- (2)Under-sized(U.S.=0.25) parts.
- (3)Over-sized(O.S.=0.25) parts.

Fig.9. LUB. OIL SYSTEM



(A)=4TNV98-ZNIME
(B)=
(C)=

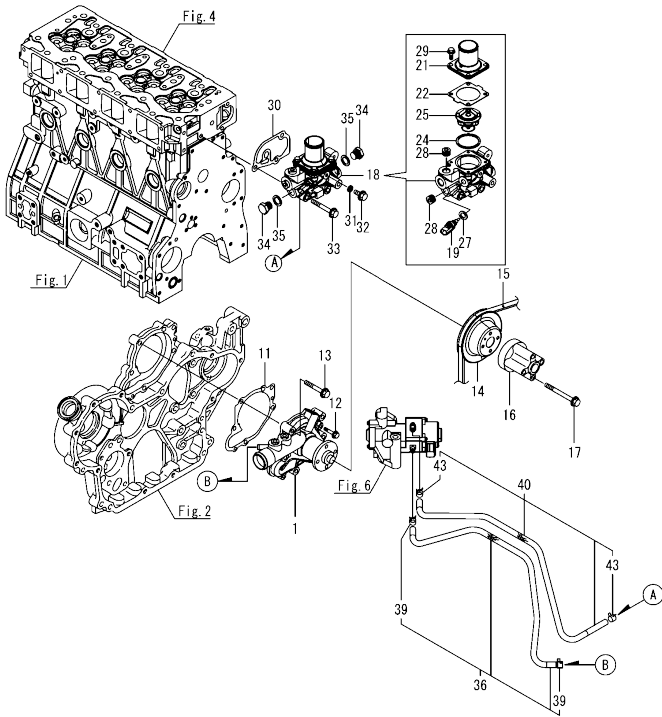
(D)=
(E)=
(F)=

No.	Lev.	Parts No.	Description	Q'ty						I	R
				(A)	(B)	(C)	(D)	(E)	(F)		
1	1	119260-34810	GUIDE, DIPSTICK	1							
2	1	129907-34811	DIPSTICK	1							
3	1	129928-34850	GUIDE, DIPSTICK	1							
4	1	24316-240100	O-RING, 4DP10A	1							
5	1	26106-080162	BOLT, M8X 16 PLATED	1							
6	1	119000-35140	BOLT, STUD FILTER	1							
8	1	129900-32030	O-RING, P20	1							
9	1	129953-35000	PIPE ASSY, OIL INLET	1							
14	1	26106-080122	BOLT, M8X 12 PLATED	1							
15	1	26106-080162	BOLT, M8X 16 PLATED	1							
16	1	119761-39450	SWITCH, HYDRAULIC	1							
17	1	129927-39060	PIPE ASSY, OIL	1							
19	2	123907-39500	RETAINER, PIPE	1							
21	1	129005-59830	BOLT ASSY, JOINT M8	2							
22	2	22190-080002	WASHER, SEAL 8	2							
23	2	23857-030000	BOLT, JOINT 3	2							
24	1	22190-080002	WASHER, SEAL 8	2							
25	1	26106-080122	BOLT, M8X 12 PLATED	1							
26	1	129930-39050	PIPE, OIL	1							
27	1	105010-39140	BOLT, PIPE JOINT	2							
28	1	22190-080002	WASHER, SEAL 8	4							
29	1	171056-49120	PLUG, DRAIN R1/4	1							
30	1	129150-35153	FILTER ASSY, D80X80L	1							1

Remarks

(1)Spare parts.

Fig.10. COOLING WATER SYSTEM



(A)=4TNV98-ZNIME
(B)=
(C)=

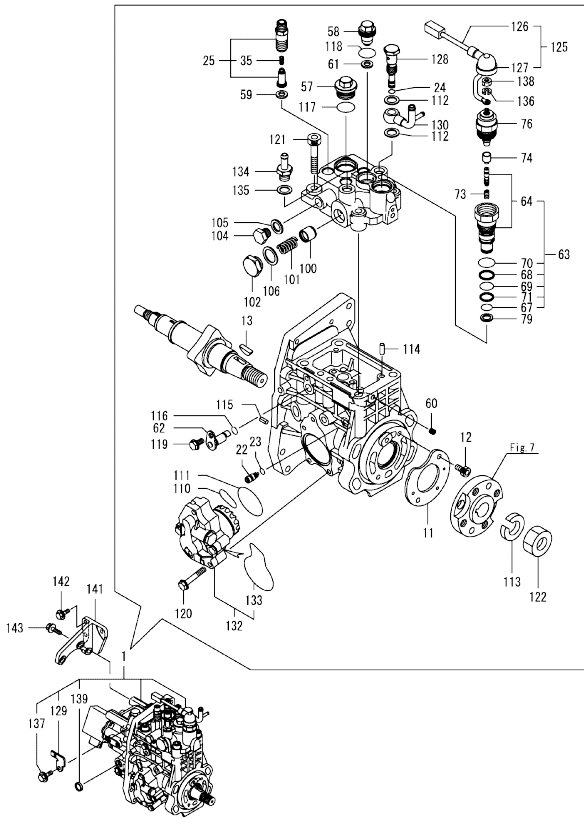
(D)=
(E)=
(F)=

No.	Lev.	Parts No.	Description	Qty						I	R
				(A)	(B)	(C)	(D)	(E)	(F)		
1	1	129927-42001	PUMP ASSY, WATER	1							
11	1	129900-42020	GASKET, WATER PUMP	1							
12	1	26106-060302	BOLT, M6X 30 PLATED	2							
13	1	26106-080552	BOLT, M8X 55 PLATED	5							
14	1	129930-42400	V-PULLEY, C.W.PUMP	1							
15	1	25152-004400	V-BELT, A44	1							
16	1	129900-44760	SPACER, FAN	1							
17	1	26106-080852	BOLT, M8X 85 PLATED	4							
18	1	129938-49800	CASE ASSY, THERMOSTAT	1							
19	2	129927-44900	SENSOR, WATER TEMP.	1							
21	2	129916-49530	COVER, THERMOSTAT	1							
22	2	121850-49540	GASKET, THERMOSTAT	1							
24	2	121850-49550	GASKET, THERMOSTAT	1							
25	2	121850-49801	THERMOSTAT, 82C	1							
27	2	22190-120002	WASHER, SEAL 12	1							
28	2	23875-030000	PLUG, R03	2							
29	2	26106-060202	BOLT, M6X 20 PLATED	4							
30	1	129900-49870	GASKET, THERMOSTAT	1							
31	1	23414-080000	GASKET, 8X1.0	1							
32	1	26106-080122	BOLT, M8X 12 PLATED	1							
33	1	26106-080602	BOLT, M8X 60 PLATED	3							
34	1	121450-42450	PLUG, M16	2							
35	1	124465-44950	GASKET, 16	2							
36	1	129927-49610	HOSE ASSY, WATER	1							
39	2	23080-012000	CLAMP, 12	2							
40	1	129927-49620	HOSE ASSY, WATER	1							
43	2	23080-012000	CLAMP, 12	2							

Fig.11. FUEL INJECTION PUMP

(A)=4TNV98-ZNIME
(B)=
(C)=

(D)=
(E)=
(F)=



No.	Lev.	Parts No.	Description	Q'ty						I	R
				(A)	(B)	(C)	(D)	(E)	(F)		
1	1	729939-51320	PUMP ASSY, INJECTION	1							1
11	2	129928-51900	COVER	1							
12	2	129008-51920	BOLT, SOCKET M6X10	2							
13	2	144626-51090	FEATHER KEY, 5X19	1							
22	2	158600-51270	STOPPER, TAPPET	1							
23	2	158563-51281	O-RING, 4D S6	1							
24	2	158563-51281	O-RING, 4D S6	1							
25	2	129927-51390	VALVE ASSY, DELIVERY	4							
35	3	158563-51330	SPRING, DELIVERY	4							
57	2	158601-51550	PLUG, M22	1							
58	2	129907-51560	PLUG, M16	1							
59	2	158552-51571	GASKET, PLUG	4							
60	2	158557-51570	PLUG, RACK	1							
61	2	129906-51580	GASKET, PLUG	1							
62	2	158552-51580	LIFTER, LINK	1							
63	2	129657-51590	TIMER ASSY	1							
64	3	129657-51600	TIMER ASSY	1							
67	3	158553-51670	O-RING	1							
68	3	119802-51680	RING, BACKUP	1							
69	3	119802-51690	O-RING	1							
70	3	24356-190200	O-RING, 4D19020	1							
71	3	24372-000150	RING, BACK UP T2P15	1							
73	2	119852-51630	SPRING, TIMER	1							
74	2	119852-51640	CAP, TIMER	1							
76	2	119852-51650	VALVE ASSY, SOLENOID	1							
79	2	158553-51680	GASKET, TIMER	1							
100	2	158601-51770	PISTON, ACCUMULATOR	1							
101	2	158552-51781	SPRING, ACCUMULATOR	1							
102	2	158601-51790	PLUG	1							
104	2	158553-51930	PLUG, M12	1							
105	2	22190-120002	WASHER, SEAL 12	1							
106	2	22190-180002	WASHER, SEAL 18	1							
110	2	158552-52311	O-RING	1							
111	2	158552-52400	O-RING, 4E S42	1							
112	2	22190-120002	WASHER, SEAL 12	2							
113	2	22217-180000	WASHER, SPRING 18	1							
114	2	22312-050140	PIN, PARALLEL 5X14	2							
115	2	22351-050010	PIN, SPRING 5.0X10	2							
116	2	24311-000070	O-RING, 1AP7.0	1							
117	2	24356-190200	O-RING, 4D19020	1							
118	2	24356-240210	O-RING, 4D24021	1							
119	2	26106-060102	BOLT, M6X 10 PLATED	1							
120	2	26106-060352	BOLT, M6X 35 PLATED	4							
121	2	26450-100452	BOLT, M10X 45	4							
122	2	26776-180002	NUT, LOCK M18	1							
125	2	129927-51650	HARNES ASSY, WIRE	1							
126	3	129927-51660	HARNES	1							
127	3	129263-77941	CAP, RUBBER	1							
128	2	158601-51650	JOINT, OVER FLOW	1							
129	2	129927-51670	BRACKET	1							
130	2	158552-51670	JOINT, OVER FLOW	1							

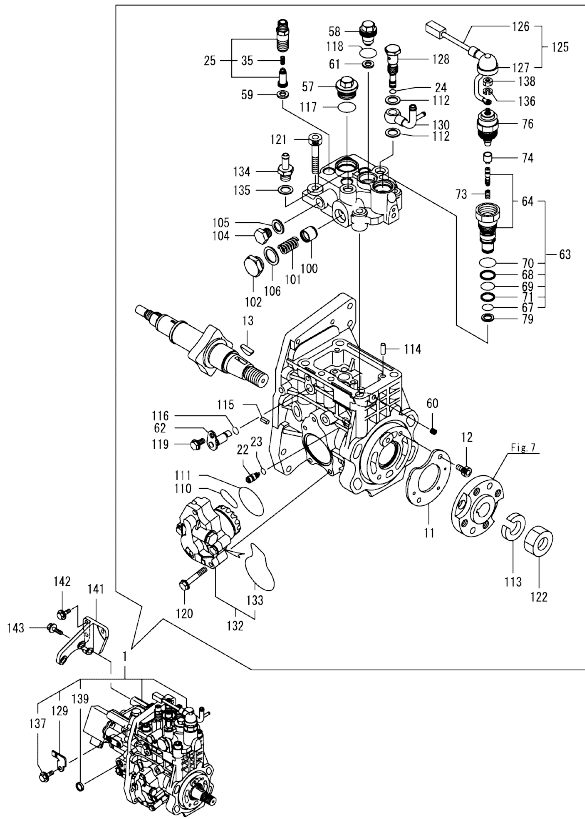
Remarks

- (1)Governor(Fig.12) is incorporated in this Fuel Injection Pump(No.1).
- (1)Eco pump
- Make sure to update the engines ECU information when replacing the Eco pump.
- Failing to do so will result in engine malfunction.

Fig.11. FUEL INJECTION PUMP

(A)=4TNV98-ZNIME
(B)=
(C)=

(D)=
(E)=
(F)=



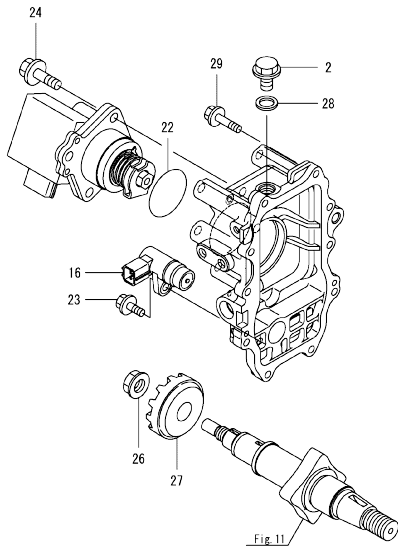
No.	Lev.	Parts No.	Description	Q'ty						I	R
				(A)	(B)	(C)	(D)	(E)	(F)		
132	2	158552-52100	PUMP ASSY, FUEL FEED	1							
133	3	158552-52500	O-RING	1							
134	2	119934-59910	JOINT, PIPE	1							
135	2	22190-120002	WASHER, SEAL 12	1							
136	2	22217-050000	WASHER, SPRING 5	1							
137	2	26106-060122	BOLT, M6X 12 PLATED	1							
138	2	26716-050002	NUT, M5	1							
139	2	27241-160000	PLUG, 16	1							
141	1	129927-51250	RETAINER, PUMP	1							
142	1	26106-080202	BOLT, M8X 20 PLATED	3							
143	1	26106-080302	BOLT, M8X 30 PLATED	3							

Remarks

(1)Governor(Fig.12) is incorporated in this Fuel Injection Pump(No.1).
(1)Eco pump
Make sure to update the engines ECU information when replacing the Eco pump.
Failing to do so will result in engine malfunction.

OCD50-M02300 ENGINE
 Fig.12. GOVERNOR

OCD50-M02300 Fig.12



(A)=4TNV98-ZNIME
 (B)=
 (C)=

(D)=
 (E)=
 (F)=

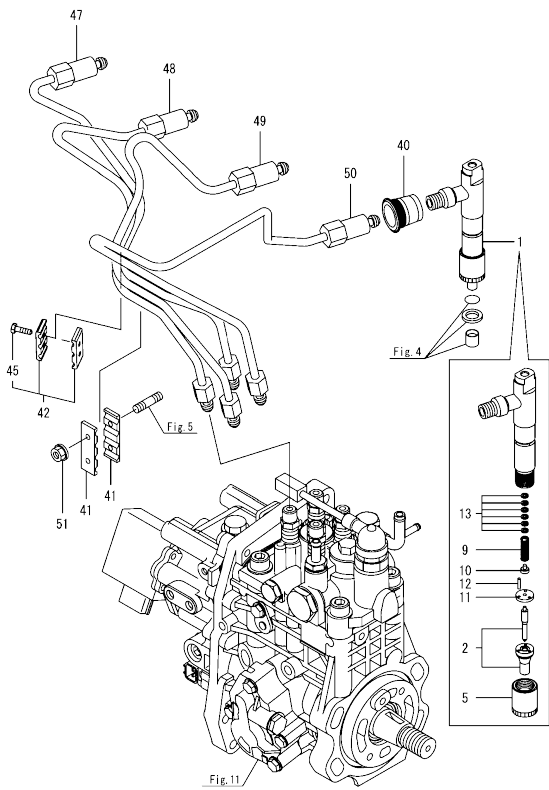
No.	Lev.	Parts No.	Description	Q'ty						I	R
				(A)	(B)	(C)	(D)	(E)	(F)		
2	2	158553-51930	PLUG, M12	1							
16	2	158557-61720	SENSOR	1							
22	2	24341-000480	O-RING, 1AS48.0	1							
23	2	26106-060162	BOLT, M6X 16 PLATED	1							
24	2	26106-080252	BOLT, M8X 25 PLATED	3							
26	2	129008-61301	NUT	1							
27	2	158553-61780	GEAR, SENSOR	1							
28	2	22190-120002	WASHER, SEAL 12	1							
29	2	26106-060252	BOLT, M6X 25 PLATED	10							

Remarks

* This figure(Governor) is incorporated in the Fuel Injection Pump(Fig.11).

N:Old $\frac{100}{100}$ New, Q:Old $\frac{100}{100}$ New, R:Old $\frac{100}{100}$ New, S:Old $\frac{100}{100}$ New, W:Add, Z:Discontinued, F:Interchangeable by set, K:Q'ty Change
 Copyright (C) 2016 YANMAR GLOBAL CS CO., LTD. All Rights Reserved.

Fig.13. FUEL INJECTION VALVE



(A)=4TNV98-ZNIME
(B)=
(C)=

(D)=
(E)=
(F)=

No.	Lev.	Parts No.	Description	Q'ty						I	R
				(A)	(B)	(C)	(D)	(E)	(F)		
1	1	729927-53100	FUEL INJECTOR ASSY	4							
2	2	129927-53000	NOZZLE ASSY, F.I.	4							
5	2	114250-53080	NUT, NOZZLE	4							
9	2	114250-53120	SPRING, NOZZLE	4							
10	2	114250-53130	SEAT, SPRING	4							
11	2	114250-53140	SPACER	4							
12	2	114250-53210	PIN	8							
13	2	119803-53400	SHIM SET	4							1
40	1	123907-11601	SEAL, PIPE	4							
41	1	123472-59120	RETAINER, PIPE	2							
42	1	129150-59120	RETAINER, PIPE	1							
45	2	129150-59131	BOLT, M4X14	2							
47	1	129927-59810	PIPE ASSY, INJECTION	1							
48	1	129927-59820	PIPE ASSY, INJECTION	1							
49	1	129927-59830	PIPE ASSY, INJECTION	1							
50	1	129927-59840	PIPE ASSY, INJECTION	1							
51	1	26366-060002	NUT, M6	2							

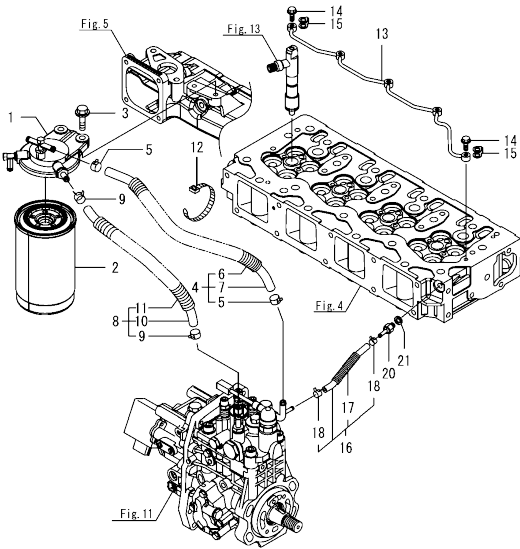
Remarks

(1)Spare parts.

Fig.14. FUEL PIPE

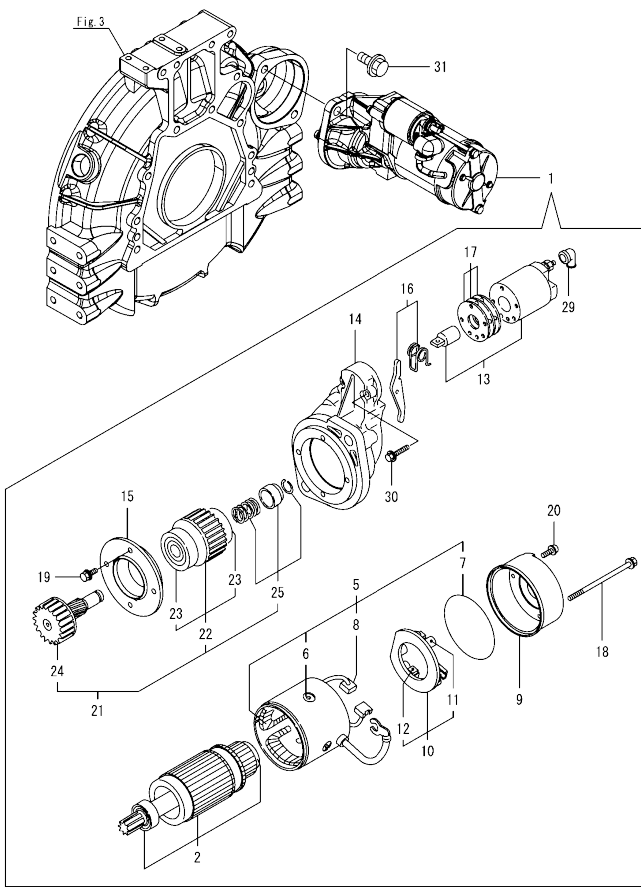
(A)=4TNV98-ZNIME
(B)=
(C)=

(D)=
(E)=
(F)=



No.	Lev.	Parts No.	Description	Q'ty						I	R
				(A)	(B)	(C)	(D)	(E)	(F)		
1	1	129004-55612	BRACKET, FILTER	1							
2	1	119802-55801	FILTER, FUEL	1							
3	1	26106-080302	BOLT, M8X 30 PLATED	2							
4	1	129457-59010	HOSE ASSY, FUEL	1							
5	2	124766-59050	CLAMP, HOSE 11.5	2							
6	2	129957-59120	TUBE, CORRUGATED 15	1							
7	2	105025-59750	HOSE, FUEL	1							
8	1	129961-59310	HOSE ASSY, FUEL	1							
9	2	124766-59050	CLAMP, HOSE 11.5	2							
10	2	129136-59110	HOSE, D13/7.5X270	1							
11	2	129961-59110	TUBE, CORRUGATED 15	1							
12	1	121750-59890	BAND, NYLON	1							
13	1	129907-59140	PIPE ASSY, RETURN	1							
14	1	123907-59540	BOLT, PIPE JOINT M6	5							
15	1	123907-59550	GASKET	5							
16	1	129927-59550	HOSE ASSY, RETURN	1							
17	2	129263-49750	TUBE, CORRUGATED	1							
18	2	124722-59050	CLAMP, HOSE 9	2							
20	1	123907-59560	JOINT, HOSE	1							
21	1	22190-080002	WASHER, SEAL 8	1							

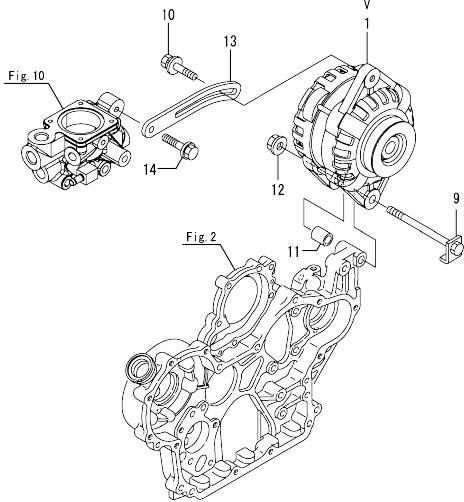
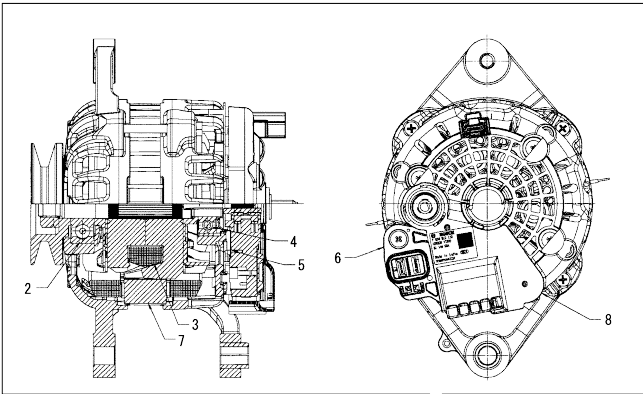
Fig.15. STARTER MOTOR



No.	Lev.	Parts No.	Description	Q'ty						I	R
				(A)	(B)	(C)	(D)	(E)	(F)		
1	1	129940-77011	STARTER ASSY	1							
2	2	129940-77100	ARMATURE ASSY	1							
5	2	129940-77130	COIL ASSY, FIELD	1							
6	3	129940-77140	SCREW, CORE SET	4							
7	3	129940-77150	O-RING	1							
8	3	129940-77160	BRUSH	2							
9	2	129940-77171	COVER	1							
10	2	129940-77181	HOLDER ASSY, BRUSH	1							
11	3	129940-77190	SPRING, BRUSH	1							
12	3	129940-77200	BRUSH	2							
13	2	129940-77210	SWITCH ASSY, MAGNET	1							
14	2	129940-77221	CASE, GEAR	1							
15	2	129940-77230	RETAINER, BEARING	1							
16	2	129940-77240	LEVER SET	1							
17	2	129940-77250	COVER KIT, DUST	1							
18	2	129940-77260	BOLT, THROUGH	2							
19	2	129940-77270	BOLT	4							
20	2	129940-77280	SCREW	2							
21	2	123900-77510	PINION ASSY	1							
22	3	123900-77520	CLUTCH ASSY	1							
23	4	X2240610100	BEARING, BALL	2							
24	3	123900-77540	SHAFT, PINION	1							
25	3	119131-77550	STOPPER SET, PINION	1							
29	2	121254-77810	COVER, TERMINAL	1							
30	2	114371-79070	BOLT	2							
31	1	26106-120252	BOLT, M12X 25 PLATED	2							

N:Old $\frac{100}{100}$ New, Q:Old $\frac{100}{100}$ New, R:Old $\frac{100}{100}$ New, S:Old $\frac{100}{100}$ New, W:Add, Z:Discontinued, F:Interchangeable by set, K:Q'ty Change
 Copyright (C) 2016 YANMAR GLOBAL CS CO., LTD. All Rights Reserved.

Fig.16. GENERATOR

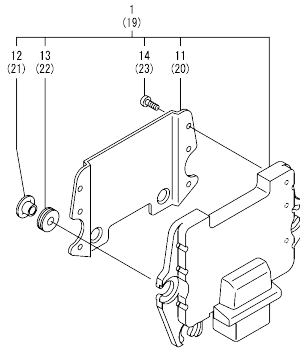


(A)=4TNV98-ZNIME
(B)=
(C)=

(D)=
(E)=
(F)=

No.	Lev.	Parts No.	Description	Q'ty						I	R
				(A)	(B)	(C)	(D)	(E)	(F)		
1	1	129908-77200	ALTERNATOR 12V	1							
2	2	129908-77710	BEARING, BALL FR	1							
3	2	129908-77720	ROTOR	1							
4	2	129908-77730	BEARING, BALL RR	1							
5	2	129908-77740	RECTIFIER	1							
6	2	129908-77750	REGULATOR	1							
7	2	129908-77760	STATOR	1							
8	2	129908-77770	PROTECTOR	1							
9	1	129908-77220	BOLT, STOPPER M10	1							
10	1	119810-77340	BOLT, ADJUST L=30	1							
11	1	129908-77360	PIECE, DISTANCE	1							
12	1	26306-100002	NUT, M10	1							
13	1	129916-77300	ADJUSTER, BELT	1							
14	1	119810-77340	BOLT, ADJUST L=30	1							

Fig.17. ELECTRONIC CONTROL UNIT(ECU)



(A)=4TNV98-ZNIME
(B)=
(C)=

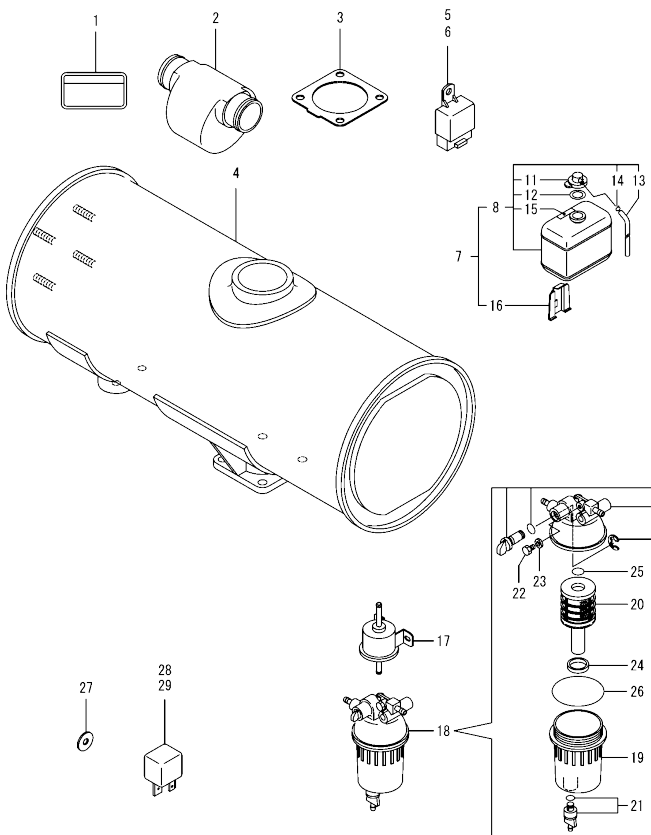
(D)=
(E)=
(F)=

No.	Lev.	Parts No.	Description	Q'ty						I	R
				(A)	(B)	(C)	(D)	(E)	(F)		
1	1	129922-75100	ECU ASSY,4TNV98-ZNIM	1							1
11	2	129927-77600	SHIELD, ECU	1							
12	2	129927-77680	COLLAR, CONTROL	3							
13	2	119578-91351	ABSORBER	3							
14	2	22877-500080	SCREW, 5X 8	6							
19	1	129927-75901	ECU ASSY, SERVICE	1							2
20	2	129927-77600	SHIELD, ECU	1							
21	2	129927-77680	COLLAR, CONTROL	3							
22	2	119578-91351	ABSORBER	3							
23	2	22877-500080	SCREW, 5X 8	6							

Remarks

- (1)Eco ECU
This part cannot be ordered.
- Replace the part using a Service ECU with the proper engine information installed.
- (2)Service ECU
If the proper information is not installed, the engine will not operate.
- To install proper information, go to an authorized distributor.

Fig.18. ACCESSORY



(A)=4TNV98-ZNIME
(B)=
(C)=

(D)=
(E)=
(F)=

No.	Lev.	Parts No.	Description	Qty						I	R
				(A)	(B)	(C)	(D)	(E)	(F)		
1	1	114110-07761	LABEL, FUEL OIL CAUT	1							
2	1	119005-12060	SILENCER, INTAKE	1							
3	1	129930-13201	GASKET, SILENCER	2							
4	1	129907-13500	SILENCER	1							
5	1	172B02-17150	RELAY,CA C TYPE	1							
6	1	172B02-17150	RELAY,CA C TYPE	1							
7	1	120147-44800	TANK ASSY, SUB	1							
8	2	121857-44800	TANK ASSY, RESERVE	1							
11	3	121850-44850	CAP	1							
12	3	121850-44860	GASKET	1							
13	3	121850-44870	HOSE	1							
14	3	121850-44880	CLAMP, HOSE	1							
15	3	121850-44830	LABEL, RESERVE TANK	1							
16	2	120147-44810	BRACKET	1							
17	1	129612-52100	PUMP, FUEL FEED	1							
18	1	129242-55701	SEPARATOR ASSY,WATER	1							
19	2	129242-55720	CUP, SEPARATOR	1							
20	2	129242-55730	ELEMENT, FUEL	1							
21	2	129242-55740	PLUG, DRAIN	1							
22	2	129242-55750	VALVE, AIR VENT	1							
23	2	129242-55760	GASKET, PLUG	1							
24	2	129242-55770	FLOAT	1							
25	2	24311-000160	O-RING, 1AP16.0	1							
26	2	24321-000750	O-RING, 1AG75.0	1							
27	1	129927-77690	WASHER, ECU	3							
28	1	129927-77920	RELAY, ISO 70A	1							
29	1	129927-77920	RELAY, ISO 70A	1							

Parts No. Index

Parts No.	Fig. No.	Ref. No.	Parts No.	Fig. No.	Ref. No.	Parts No.	Fig. No.	Ref. No.	Parts No.	Fig. No.	Ref. No.
105010-39140	9	27	121850-49540	10	22	129242-55720	18	19	129907-07900	4	66
105025-59750	14	7	121850-49550	10	24	129242-55730	18	20	129907-11100	4	9
114110-07761	18	1	121850-49801	10	25	129242-55740	18	21	129907-11110	4	10
114250-53080	13	5	121850-77021	5	7	129242-55750	18	22	129907-11120	4	11
114250-53120	13	9	121857-44800	18	8	129242-55760	18	23	129907-11250	4	29
114250-53130	13	10	123472-59120	13	41	129242-55770	18	24	129907-11260	4	30
114250-53140	13	11	123900-25060	7	9	129263-13210	6	5	129907-11270	4	31
114250-53210	13	12	123900-77510	15	21	129263-49750	14	17	129907-11341	4	28
114371-79070	15	30	123900-77520	15	22	129263-77941	11	127	129907-11510	4	15
119000-35140	9	6	123900-77540	15	24	129418-18320	6	4	129907-11650	4	33
119005-12060	18	2	123907-03100	4	52	129457-59010	14	4	129907-11660	4	37
119131-18320	6	3	123907-03110	4	53	129612-52100	18	17	129907-11800	4	68
119131-77550	15	25	123907-03120	4	54	129657-51590	11	63	129907-11910	4	24
119260-34810	9	1	123907-03140	4	55	129657-51600	11	64	129907-11920	4	41
119578-91351	17	13	123907-11280	4	32	129900-01200	1	27	129907-11950	4	25
		22	123907-11550	4	1	129900-01250	1	4	129907-12110	5	1
119593-11301	4	27	123907-11601	13	40	129900-01620	3	2	129907-13500	18	4
119620-01750	3	4	123907-11820	4	19	129900-01850	2	43	129907-14400	7	2
119620-11180	4	12	123907-11830	4	18	129900-01870	2	44	129907-21650	8	8
119625-11880	4	23	123907-39500	9	19	129900-02020	1	6	129907-25900	7	15
119640-01640	3	9	123907-59540	14	14	129900-02341	1	32	129907-34811	9	2
119640-61400	4	58	123907-59550	14	15	129900-02410	1	9	129907-51560	11	58
119761-39450	9	16	123907-59560	14	20	129900-02931	1	24	129907-59140	14	13
119802-11870	4	22	124160-01751	2	31	129900-02941	1	35	129908-14581	7	3
119802-51680	11	68		4	47	129900-13251	6	6	129908-77200	16	1
119802-51690	11	69	124160-11340	4	14	129900-14100	7	6	129908-77220	16	9
119802-55801	14	2	124160-11360	4	63	129900-14140	2	48	129908-77360	16	11
119803-11340	4	13	124465-44950	10	35	129900-21200	8	3	129908-77710	16	2
119803-53400	13	13	124722-59050	14	18	129900-21600	8	14	129908-77720	16	3
119810-77340	16	10	124766-59050	14	5	129900-23001	8	25	129908-77730	16	4
		14			9	129900-23200	8	28	129908-77740	16	5
119852-51630	11	73	129004-55612	14	1	129900-23601	8	29	129908-77750	16	6
119852-51640	11	74	129005-59830	9	21	129900-23611	8	32	129908-77760	16	7
119852-51650	11	76	129008-51920	11	12	129900-23911	8	31	129908-77770	16	8
119934-59910	11	134	129008-61301	12	26	129900-25100	7	10	129915-77051	5	8
120130-22301	8	23	129100-01580	2	1	129900-26030	7	18	129916-01710	3	8
120147-44800	18	7		3	1	129900-26250	2	49	129916-01790	3	7
120147-44810	18	16	129136-59110	14	10	129900-32001	2	10	129916-01800	2	42
121023-26071	2	37	129150-02450	7	4	129900-32030	2	22	129916-21610	8	7
121254-77810	15	29	129150-11230	4	35		9	8	129916-49530	10	21
121450-42450	10	34			39	129900-32040	2	23	129916-77300	16	13
121750-59890	14	12	129150-11750	4	17	129900-42020	10	11	129922-75100	17	1
121850-21130	8	11			36	129900-44760	10	16	129927-11320	4	48
121850-21290	8	4			40	129900-49870	10	30	129927-11700	4	2
121850-21920	8	5	129150-14200	7	1	129902-21000	8	1	129927-12100	5	3
121850-44830	18	15	129150-25920	7	16	129906-51580	11	61	129927-12150	5	2
121850-44850	18	11	129150-35153	9	30	129907-01331	1	28	129927-13101	6	2
121850-44860	18	12	129150-59120	13	42	129907-03011	4	49	129927-13150	6	1
121850-44870	18	13	129150-59131	13	45	129907-03061	4	50	129927-13800	6	9
121850-44880	18	14	129242-55701	18	18	129907-03070	4	51	129927-13810	6	10

Parts No. Index

Parts No.	Fig. No.	Ref. No.
129927-13910	6	14
129927-13920	6	15
129927-22050	8	17
129927-22080	8	15
129927-39060	9	17
129927-42001	10	1
129927-42140	2	24
129927-44900	10	19
129927-49610	10	36
129927-49620	10	40
129927-51250	11	141
129927-51390	11	25
129927-51650	11	125
129927-51660	11	126
129927-51670	11	129
129927-53000	13	2
129927-59550	14	16
129927-59810	13	47
129927-59820	13	48
129927-59830	13	49
129927-59840	13	50
129927-75901	17	19
129927-77600	17	11
		20
129927-77680	17	12
		21
129927-77690	18	27
129927-77920	18	28
		29
129928-13900	6	13
129928-34850	9	3
129928-51900	11	11
129930-13201	18	3
129930-39050	9	26
129930-42400	10	14
129933-11310	4	57
129938-49800	10	18
129940-77011	15	1
129940-77100	15	2
129940-77130	15	5
129940-77140	15	6
129940-77150	15	7
129940-77160	15	8
129940-77171	15	9
129940-77181	15	10
129940-77190	15	11
129940-77200	15	12
129940-77210	15	13
129940-77221	15	14
129940-77230	15	15

Parts No.	Fig. No.	Ref. No.
129940-77240	15	16
129940-77250	15	17
129940-77260	15	18
129940-77270	15	19
129940-77280	15	20
129951-01740	2	33
129953-21570	8	12
129953-25300	7	14
129953-35000	9	9
129957-59120	14	6
129960-21930	8	9
129960-21940	8	10
129961-59110	14	11
129961-59310	14	8
129962-01500	2	3
129E00-13650	6	7
144626-51090	11	13
158552-51571	11	59
158552-51580	11	62
158552-51670	11	130
158552-51781	11	101
158552-52100	11	132
158552-52311	11	110
158552-52400	11	111
158552-52500	11	133
158553-51670	11	67
158553-51680	11	79
158553-51930	11	104
		12
		2
158553-61780	12	27
158557-51570	11	60
158557-61720	12	16
158563-51150	7	17
158563-51281	11	23
		24
158563-51330	11	35
158600-51270	11	22
158601-51550	11	57
158601-51650	11	128
158601-51770	11	100
158601-51790	11	102
171051-01921	1	5
171056-49120	9	29
172B02-17150	18	5
		6
175339-79700	4	59
22190-080002	9	22
		24
		28
		21

Parts No.	Fig. No.	Ref. No.
22190-120002	10	27
	11	105
		112
		135
	12	28
22190-180002	11	106
22190-220002	3	11
22217-050000	11	136
22217-180000	11	113
22252-000300	8	24
22312-050140	11	114
22351-050010	11	115
22351-060012	1	11
22512-070140	7	7
	8	6
22857-500100	4	60
		61
22877-500080	17	14
		23
23080-012000	10	39
		43
23414-080000	10	31
23857-030000	9	23
23875-030000	10	28
23876-020000	4	6
23876-030000	1	12
		13
		14
	4	7
24311-000070	2	25
	11	116
24311-000120	4	26
		64
24311-000160	18	25
24311-000320	2	32
	4	65
24316-240100	9	4
24321-000750	18	26
24321-000850	2	38
24341-000480	12	22
24351-030750	2	26
24356-190200	11	70
		117
24356-240210	11	118
24372-000150	11	71
25152-004400	10	15
26106-060102	11	119
26106-060122	4	62
	11	137
26106-060162	12	23

Parts No.	Fig. No.	Ref. No.
26106-060202	10	29
26106-060252	12	29
26106-060302	10	12
26106-060352	11	120
26106-080122	3	12
	9	14
		25
	10	32
26106-080142	7	8
26106-080162	2	27
		45
	4	67
	9	5
		15
26106-080202	2	28
		34
	11	142
26106-080252	12	24
26106-080302	11	143
	14	3
26106-080352	5	9
26106-080402	2	46
	4	43
26106-080452	2	29
		35
	5	5
26106-080552	7	13
	10	13
26106-080602	4	44
		45
	10	33
26106-080702	2	47
26106-080752	2	36
26106-080802	5	6
26106-080852	10	17
26106-100202	2	39
26106-100302	6	11
		16
26106-100952	6	17
26106-120252	15	31
26206-100352	3	5
26206-100702	3	6
26216-060202	5	4
26216-100302	2	21
26226-080222	4	42
26306-080002	4	46
	6	8
		12
26306-100002	2	30
	16	12

Parts No. Index

Parts No.	Fig. No.	Ref. No.
26366-060002	13	51
26450-100452	11	121
26716-050002	11	138
26776-180002	11	122
27241-160000	11	139
27241-300000	1	10
27241-400000	4	8
27310-070001	4	20
729900-02801	1	29
729907-01559	2	40
729927-01560	1	1
729927-22900	8	34
729927-22950	8	36
729927-53100	13	1
729939-51320	11	1
X2240610100	15	23

Parts No.	Fig. No.	Ref. No.
-----------	----------	----------

Parts No.	Fig. No.	Ref. No.
-----------	----------	----------

Parts No.	Fig. No.	Ref. No.
-----------	----------	----------