

0CD50-M01930EN

# P R E F A C E

This parts catalog is the 1st edition of 4TNV98-ZNLS for Nexen.

Published : January, 2016

## Contents

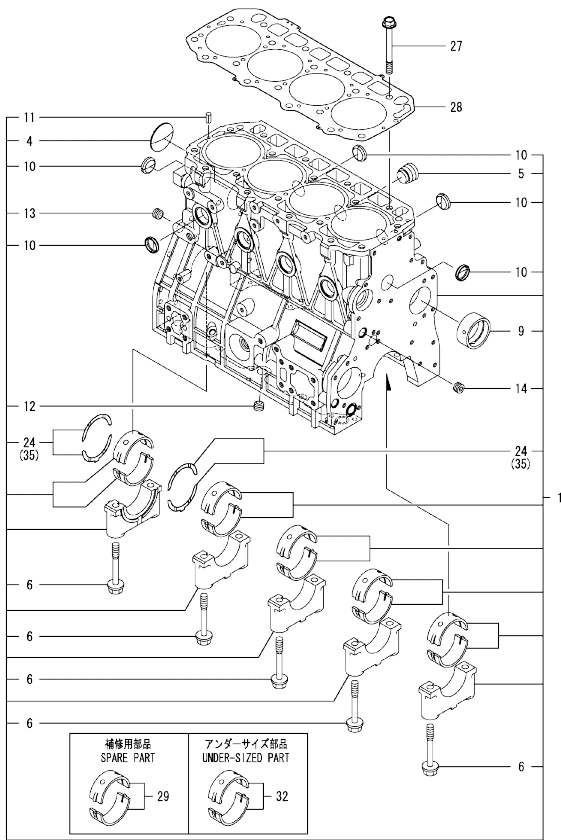
0CD50-M01930

Fig. No.	Fig. Name	Fig. No.	Fig. Name
4	TNV98-ZNLS		
1.	CYLINDER BLOCK		
2.	GEAR HOUSING		
3.	FLYWHEEL HOUSING & OIL SUMP		
4.	CYLINDER HEAD & BONNET		
5.	SUCTION MANIFOLD		
6.	EXHAUST MANIFOLD		
7.	CAMSHAFT & DRIVING GEAR		
8.	CRANKSHAFT & PISTON		
9.	LUB. OIL SYSTEM		
10.	COOLING WATER SYSTEM		
11.	FUEL INJECTION PUMP		
12.	GOVERNOR		
13.	FUEL INJECTION VALVE		
14.	FUEL PIPE		
15.	STARTER MOTOR		
16.	GENERATOR		
17.	ELECTRONIC CONTROL UNIT(ECU)		

Fig.1. CYLINDER BLOCK

(A)=4TNV98-ZNLS  
(B)=  
(C)=

(D)=  
(E)=  
(F)=



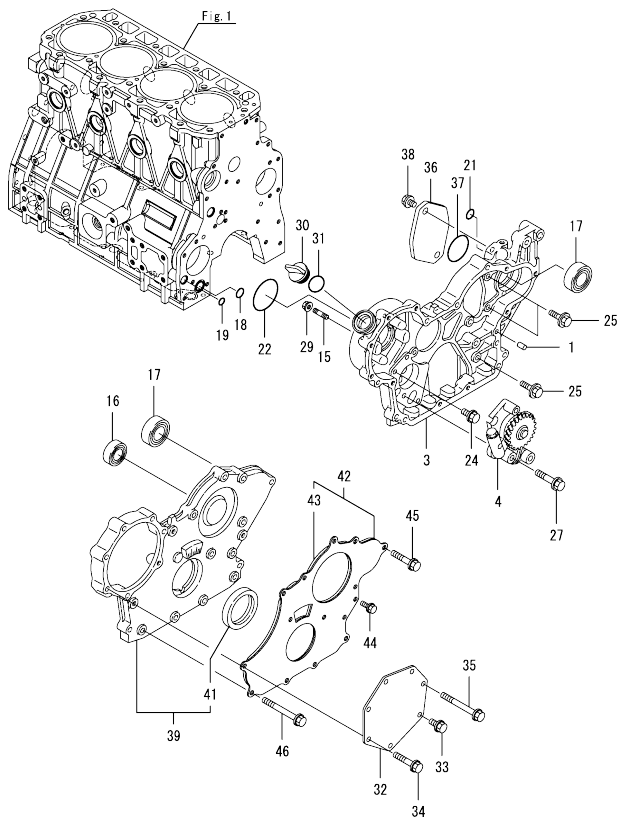
No.	Lev.	Parts No.	Description	Q'ty						I	R
				(A)	(B)	(C)	(D)	(E)	(F)		
1	1	729927-01560	BLOCK ASSY, CYLINDER	1							
4	2	129900-01250	PLUG, DISH TYPE 55	1							
5	2	171051-01921	PLUG, NPTF1	1							
6	2	129900-02020	BOLT, METAL CAP	10							
9	2	129900-02410	BUSH, CAMSHAFT	1							
10	2	27241-300000	PLUG 30	8							
11	2	22351-060012	PIN, SPRING 6.0X12	2							
12	2	23876-030000	PLUG, R03	1							
13	2	23876-030000	PLUG, R03	1							
14	2	23876-030000	PLUG, R03	1							
24	2	129900-02931	BEARING ASSY, THRUST	2							
27	1	129900-01200	BOLT, CYLINDER HEAD	18							
28	1	129907-01331	GASKET, HEAD	1							
29	1	729900-02801	BEARING, MAIN	5							1
32	1	129900-02341	BEARING ASSY, MAIN	5							2
35	1	129900-02941	BEARING, THRUST 0.25	2							3

Remarks  
(1) Spare parts.  
(2) Under-sized (U.S.=0.25) parts.  
(3) Over-sized (O.S.=0.25) parts.

Fig.2. GEAR HOUSING

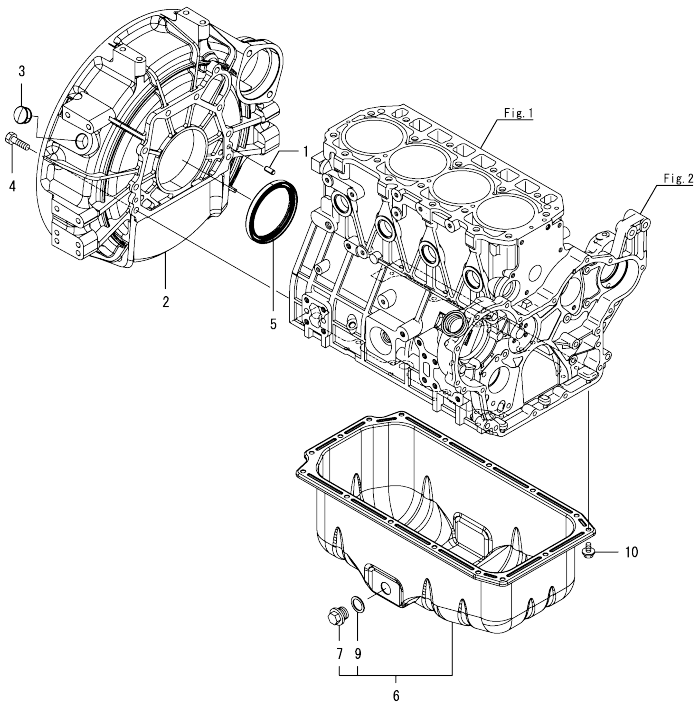
(A)=4TNV98-ZNLS  
(B)=  
(C)=

(D)=  
(E)=  
(F)=



No.	Lev.	Parts No.	Description	Qty					
				(A)	(B)	(C)	(D)	(E)	(F)
1	1	129100-01580	PIN, PARALLEL 8X16	4					
3	1	129963-01500	CASE, GEAR	1					
4	1	129900-32001	PUMP ASSY, OIL	1					
15	1	26216-100302	STUD, M10X 30	4					
16	1	129900-14140	BEARING, BALL 6205	1					
17	1	129900-26250	BEARING, BALL 6206C3	2					
18	1	129900-32030	O-RING, P20	1					
19	1	129900-32040	O-RING, P14	1					
21	1	24311-000070	O-RING, 1AP7.0	1					
22	1	24351-030750	O-RING, 1A3075	1					
24	1	26106-080162	BOLT, M8X 16 PLATED	1					
25	1	26106-080202	BOLT, M8X 20 PLATED	3					
27	1	26106-080452	BOLT, M8X 45 PLATED	3					
29	1	26306-100002	NUT, M10	4					
30	1	124160-01751	CAP, FILLER	1					
31	1	24311-000320	O-RING, 1AP32.0	1					
32	1	129951-01740	COVER	1					
33	1	26106-080202	BOLT, M8X 20 PLATED	1					
34	1	26106-080452	BOLT, M8X 45 PLATED	5					
35	1	26106-080752	BOLT, M8X 75 PLATED	1					
36	1	129930-01870	COVER	1					
37	1	24321-000850	O-RING, 1AG85.0	1					
38	1	26106-100202	BOLT, M10X 20 PLATED	2					
39	1	729907-01559	COVER ASSY, GEAR CASE	1					
41	2	129916-01800	SEAL, OIL	1					
42	1	129900-01850	COVER ASSY, GEAR CASE	1					
43	2	129900-01870	SPONGE, GEAR CASE	1					
44	1	26106-080162	BOLT, M8X 16 PLATED	3					
45	1	26106-080402	BOLT, M8X 40 PLATED	5					
46	1	26106-080702	BOLT, M8X 70 PLATED	6					

Fig.3. FLYWHEEL HOUSING & OIL SUMP

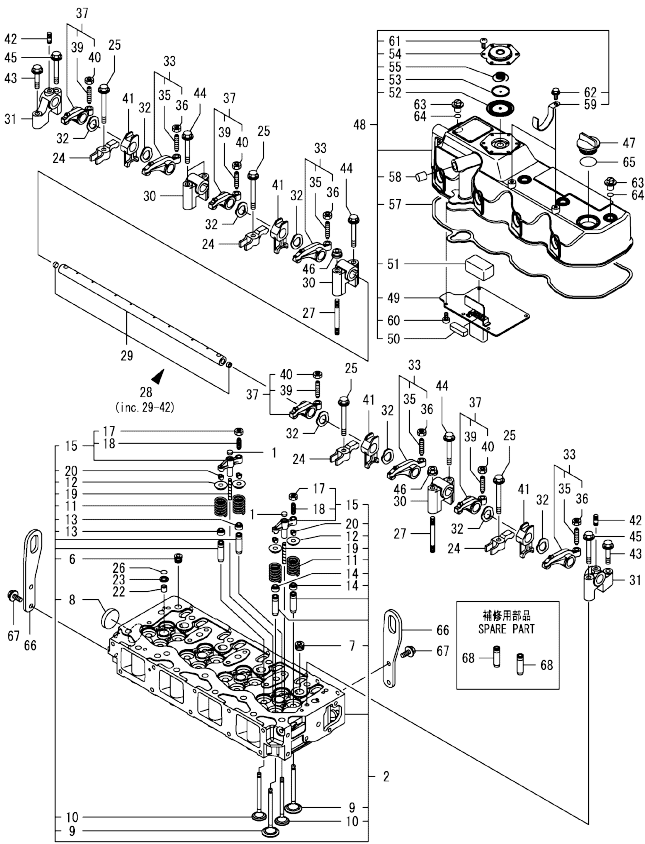


(A)=4TNV98-ZNLS  
(B)=  
(C)=

(D)=  
(E)=  
(F)=

No.	Lev.	Parts No.	Description	Q'ty					
				(A)	(B)	(C)	(D)	(E)	(F)
1	1	129100-01580	PIN, PARALLEL 8X16	2					
2	1	129915-01610	HOUSING, FLYWHEEL	1					
3	1	119000-01840	PLUG, RUBBER	1					
4	1	26206-100352	BOLT, M10X 35 PLATED	9					
5	1	129916-01790	SEAL, D115/95XT11	1					
6	1	129982-01710	OIL PAN ASSY	1					
7	2	119640-01640	PLUG, DRAIN M22	1					
9	2	22190-220002	WASHER, SEAL 22	1					
10	1	26106-080122	BOLT, M8X 12 PLATED	16					

Fig.4. CYLINDER HEAD & BONNET



Remarks  
(1) Spare parts.

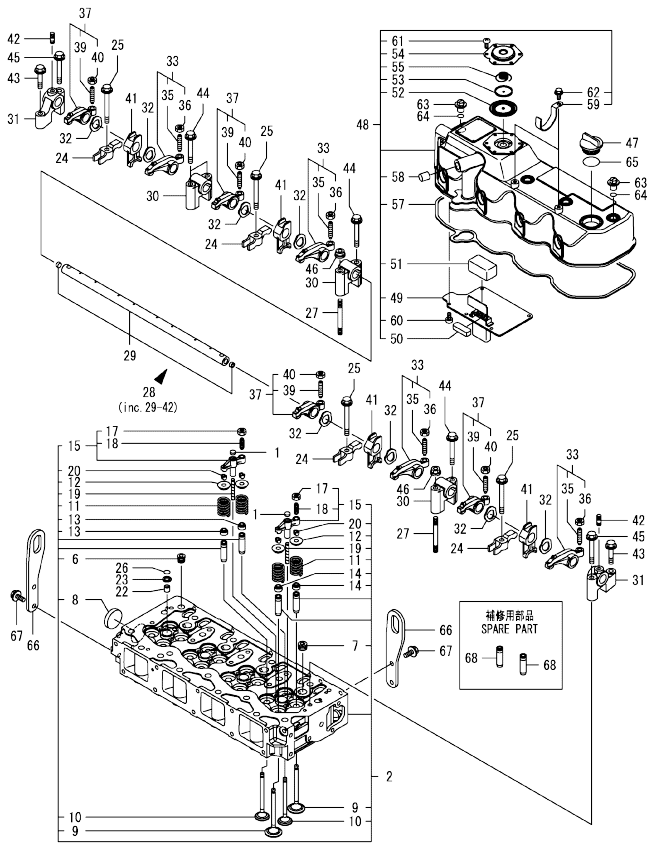
(A)=4TNV98-ZNLS  
(B)=  
(C)=

(D)=  
(E)=  
(F)=

No.	Lev.	Parts No.	Description	Q'ty						I	R
				(A)	(B)	(C)	(D)	(E)	(F)		
1	1	123907-11550	SEAT, VALVE BRIDGE	8							
2	1	129927-11700	HEAD ASSY, CYLINDER	1							
6	2	23876-020000	PLUG, R02	1							
7	2	23876-030000	PLUG, R03	4							
8	2	27241-400000	PLUG, 40	1							
9	2	129907-11100	VALVE, SUCTION	8							
10	2	129907-11110	VALVE, EXHAUST	8							
11	2	129907-11120	SPRING, VALVE	16							
12	2	119620-11180	RETAINER, SPRING	16							
13	2	119803-11340	SEAL, VALVE STEM	8							
14	2	124160-11340	SEAL, VALVE STEM	8							
15	2	129907-11510	BRIDGE ASSY, VALVE	8							
17	3	129150-11750	NUT, M8	8							
18	3	123907-11830	ADJUSTER	8							
19	2	123907-11820	GUIDE, BRIDGE	8							
20	2	27310-070001	COTTER, 7	16							
22	1	119802-11870	PROTECTOR, NOZZLE	4							
23	1	119625-11880	SEAT, NOZZLE	4							
24	1	129907-11910	RETAINER, NOZZLE	4							
25	1	129907-11950	BOLT, M8X75	4							
26	1	24311-000120	O-RING, 1AP12.0	4							
27	1	119593-11301	BOLT, STUD M8X80	2							
28	1	129907-11341	SHAFT ASSY, ROCKER	1							
29	2	129907-11250	SHAFT, ROCKER ARM	1							
30	2	129907-11260	SUPPORT, ROCKER ARM	3							
31	2	129907-11270	SUPPORT, ROCKER ARM	2							
32	2	123907-11280	WASHER	8							
33	2	129907-11650	ARM ASSY, ROCKER	4							
35	3	129150-11230	SCREW, VALVE ADJUST	4							
36	3	129150-11750	NUT, M8	4							
37	2	129907-11660	ARM ASSY, ROCKER	4							
39	3	129150-11230	SCREW, VALVE ADJUST	4							
40	3	129150-11750	NUT, M8	4							
41	2	129907-11920	RETAINER, NOZZLE	4							
42	2	26226-080222	STUD, M8X 22	2							
43	1	26106-080402	BOLT, M8X 40 PLATED	2							
44	1	26106-080602	BOLT, M8X 60 PLATED	4							
45	1	26106-080602	BOLT, M8X 60 PLATED	2							
46	1	26306-080002	NUT, M8	2							
47	1	124160-01751	CAP, FILLER	1							
48	1	129927-11320	BONNET ASSY, HEAD	1							
49	2	129907-03011	PLATE, BAFFLE	1							
50	2	129907-03061	BAFFLE, BREATHER	1							
51	2	129907-03070	BAFFLE, BREATHER	1							
52	2	123907-03100	DIAPHRAGM	1							
53	2	123907-03110	PLATE	1							
54	2	123907-03120	PLATE, BREATHER	1							
55	2	123907-03140	SPRING, DIAPHRAGM	1							
57	2	129933-11310	GASKET, BONNET	1							
58	2	119640-61400	PLUG	1							
59	2	175339-79700	CLIP	2							

N:Old  $\frac{New}{Old}$  New, Q:Old  $\frac{New}{Old}$  New, R:Old  $\frac{New}{Old}$  New, S:Old  $\frac{New}{Old}$  New, W:Add, Z:Discontinued, F:Interchangeable by set, K:Q'ty Change  
 ++ CONTINUE ++  
 Copyright (C) 2016 YANMAR GLOBAL CS CO., LTD. All Rights Reserved.

Fig.4. CYLINDER HEAD & BONNET



(A)=4TNV98-ZNLS  
(B)=  
(C)=

(D)=  
(E)=  
(F)=

No.	Lev.	Parts No.	Description	Q'ty						I	R		
				(A)	(B)	(C)	(D)	(E)	(F)				
60	2	22857-500100	SCREW, 5X10										
61	2	22857-500100	SCREW, 5X10										
62	2	26106-060122	BOLT, M6X 12 PLATED										
63	1	124160-11360	KNOB										
64	1	24311-000120	O-RING, 1AP12.0										
65	1	24311-000320	O-RING, 1AP32.0										
66	1	129907-07900	LIFTER, ENGINE										
67	1	26106-080162	BOLT, M8X 16 PLATED										
68	1	129907-11800	GUIDE, VALVE										1

Remarks

(1)Spare parts.



Fig.5. SUCTION MANIFOLD

(A)=4TNV98-ZNLS  
(B)=  
(C)=

(D)=  
(E)=  
(F)=

No.	Lev.	Parts No.	Description	Q'ty					
				(A)	(B)	(C)	(D)	(E)	(F)
1	1	129907-12110	GASKET, MANIFOLD	1					
2	1	129927-12150	MANIFOLD ASSY,INTAKE	1					
3	2	129927-12100	MANIFOLD, AIR INTAKE	1					
4	2	26216-060202	STUD, M6X 20	2					
5	1	26106-080452	BOLT, M8X 45 PLATED	6					
6	1	26106-080802	BOLT, M8X 80 PLATED	4					
7	1	119129-77020	GASKET	1					
8	1	121850-77021	GASKET, AIR HEATER	1					
9	1	119005-77051	HEATER, AIR	1					
10	1	129921-77520	BEND(INLET	1					
11	1	26106-080402	BOLT, M8X 40 PLATED	2					
12	1	26106-080902	BOLT, M8X 90 PLATED	2					

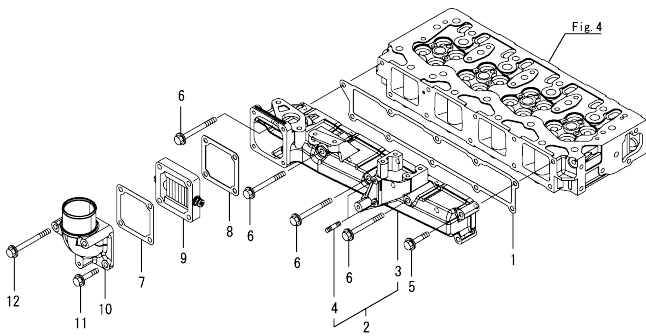
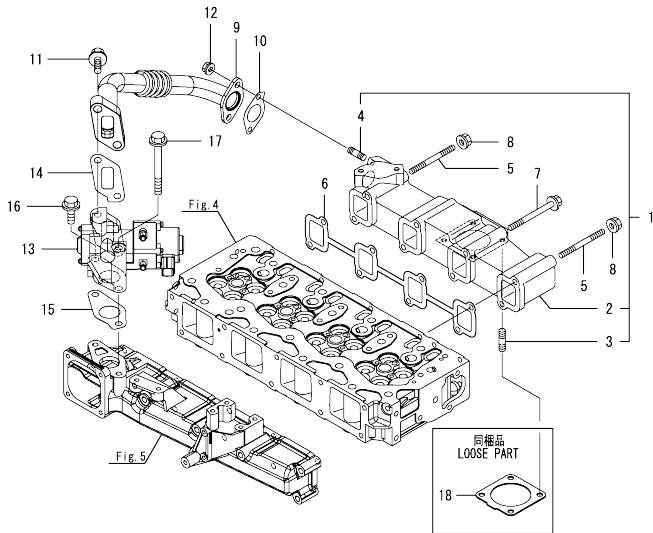


Fig.6. EXHAUST MANIFOLD

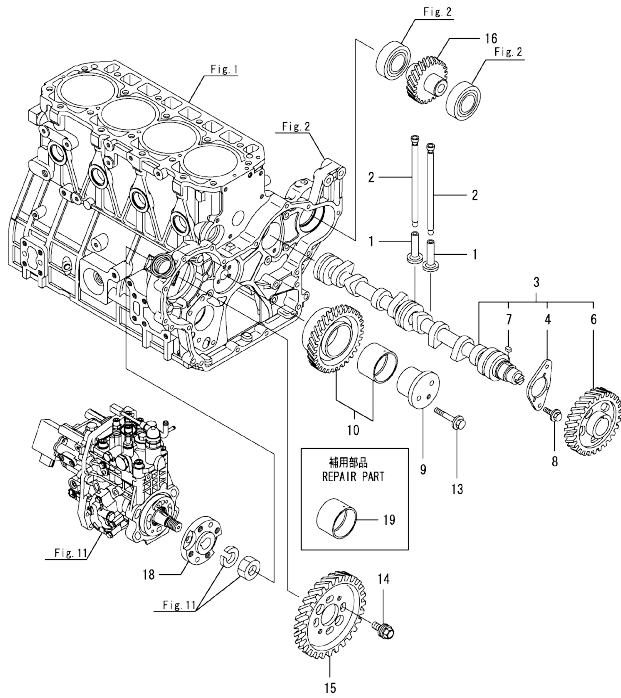


(A)=4TNV98-ZNLS  
(B)=  
(C)=

(D)=  
(E)=  
(F)=

No.	Lev.	Parts No.	Description	Q'ty						I	R
				(A)	(B)	(C)	(D)	(E)	(F)		
1	1	129939-13170	MANIFOLD ASSY, EXH.	1							
2	2	129939-13120	MANIFOLD, EXHAUST	1							
3	2	119131-18320	BOLT, STUD M8X22	4							
4	2	129418-18320	BOLT, STUD M8X20	2							
5	1	129263-13210	BOLT, STUD M8X90	2							
6	1	129900-13251	GASKET, EXH.MANIFOLD	1							
7	1	129E00-13650	BOLT, M8X90 10.9T	6							
8	1	26306-080002	NUT, M8	2							
9	1	129927-13800	PIPE ASSY, EGR	1							
10	1	129927-13810	GASKET	1							
11	1	26106-100302	BOLT, M10X 30 PLATED	2							
12	1	26306-080002	NUT, M8	2							
13	1	129928-13900	VALVE, EGR	1							
14	1	129927-13910	GASKET, EGR	1							
15	1	129927-13920	GASKET, EGR	1							
16	1	26106-100302	BOLT, M10X 30 PLATED	1							
17	1	26106-100952	BOLT, M10X 95 PLATED	1							
18	1	129930-13201	GASKET, SILENCER	1							

Fig.7. CAMSHAFT & DRIVING GEAR



(A)=4TNV98-ZNLS  
(B)=  
(C)=

(D)=  
(E)=  
(F)=

No.	Lev.	Parts No.	Description	Q'ty						I	R
				(A)	(B)	(C)	(D)	(E)	(F)		
1	1	129150-14200	TAPPET	8							
2	1	129907-14400	PUSH-ROD	8							
3	1	129908-14590	CAMSHAFT ASSY	1							
4	2	129150-02450	BEARING, THRUST	1							
6	2	129900-14110	GEAR, CAMSHAFT	1							
7	2	22512-070140	KEY, 7X 14	1							
8	1	26106-080142	BOLT, M8X 14 PLATED	2							
9	1	123900-25060	SHAFT, IDLE GEAR	1							
10	1	129900-25110	GEAR ASSY, IDLE	1							
13	1	26106-080552	BOLT, M8X 55 PLATED	3							
14	1	129953-25300	BOLT	4							
15	1	129907-25900	GEAR, PUMP	1							
16	1	129900-26020	GEAR ASSY, PUMP	1							
18	1	158563-51150	FLANGE	1							
19	1	129150-25920	BUSH, IDLE GEAR	1							1

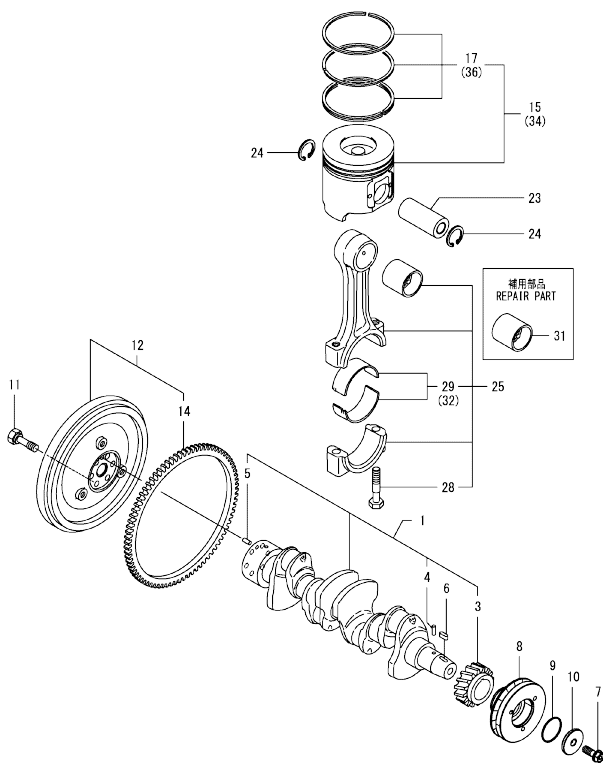
Remarks

(1)Spare parts.

Fig.8. CRANKSHAFT & PISTON

(A)=4TNV98-ZNLS  
(B)=  
(C)=

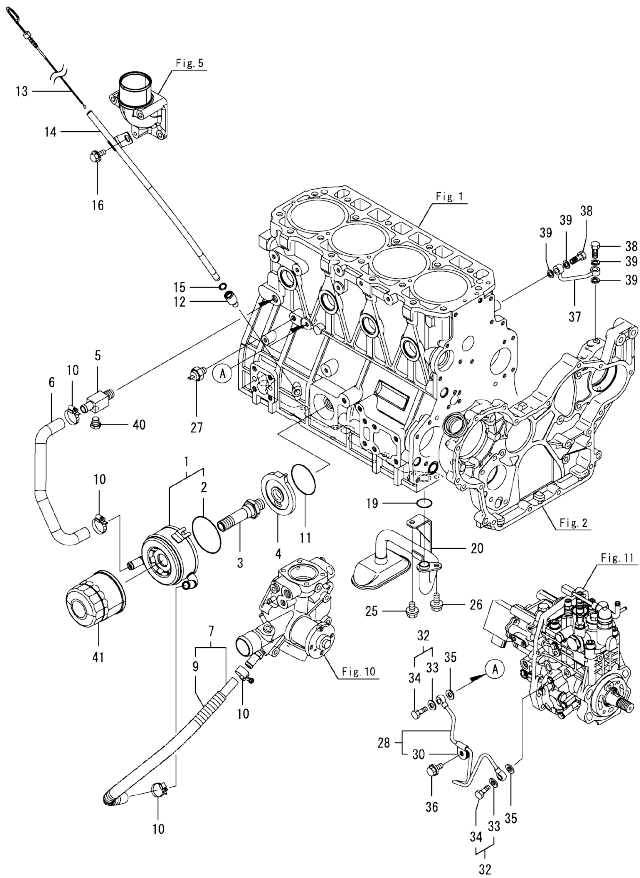
(D)=  
(E)=  
(F)=



No.	Lev.	Parts No.	Description	Q'ty						I	R
				(A)	(B)	(C)	(D)	(E)	(F)		
1	1	129902-21050	CRANKSHAFT ASSY	1							
3	2	129900-21220	GEAR, CRANKSHAFT	1							
4	2	121850-21290	PIN	1							
5	2	121850-21920	PIN, PARALLEL 10X22	1							
6	1	22512-070140	KEY, 7X 14	1							
7	1	129916-21610	BOLT	1							
8	1	129907-21650	V-PULLEY, CRANK 130	1							
9	1	129960-21930	GASKET, WASHER	1							
10	1	129960-21940	WASHER, V-PULLEY	1							
11	1	121850-21130	BOLT, FLYWHEEL	6							
12	1	129902-21580	FLYWHEEL ASSY	1							
14	2	127410-21480	GEAR, RING Z=129	1							
15	1	129927-22080	PISTON ASSY	4							
17	2	129927-22050	RING SET, PISTON	4							
23	1	120130-22301	PIN, PISTON	4							
24	1	22252-000300	RING, 30	8							
25	1	129900-23001	ROD ASSY, CONNECTING	4							
28	2	129900-23200	BOLT, CONNECTING ROD	8							
29	2	129900-23601	BEARING, CRANK PIN	4							
31	1	129900-23911	BEARING, PISTON PIN	4							1
32	1	129900-23611	BEARING ASSY, 0.25US	4							2
34	1	729927-22900	PISTON ASSY, 0.25 OS	4							3
36	2	729927-22950	RING SET, 0.25 OS	4							3

Remarks  
(1)Spare parts.  
(2)Under-sized(U.S.=0.25) parts.  
(3)Over-sized(O.S.=0.25) parts.

Fig.9. LUB. OIL SYSTEM



(A)=4TNV98-ZNLS  
(B)=  
(C)=

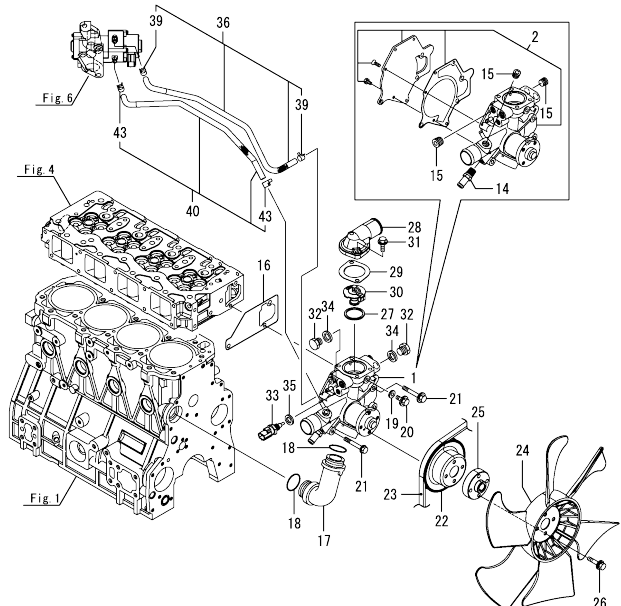
(D)=  
(E)=  
(F)=

No.	Lev.	Parts No.	Description	Qty						I	R	
				(A)	(B)	(C)	(D)	(E)	(F)			
1	1	129908-33010	COOLER ASSY, OIL	1								
2	2	123912-33050	O-RING	1								
3	1	123912-33100	BOLT, COOLER	1								
4	1	129908-33101	BRACKET, OIL COOLER	1								
5	1	129006-44480	JOINT	1								
6	1	129908-49060	HOSE, WATER	1								
7	1	123910-49600	HOSE ASSY, WATER	1								
9	2	123910-49610	TUBE, CORRUGATED	1								
10	1	23000-025000	CLAMP, 25	4								
11	1	24321-000600	O-RING, 1AG60.0	1								
12	1	119260-34810	GUIDE, DIPSTICK	1								
13	1	129921-34840	DIPSTICK, LUB.OIL	1								
14	1	129921-34850	GUIDE, DIPSTICK	1								
15	1	24316-240100	O-RING, 4DP10A	1								
16	1	26106-080162	BOLT, M8X 16 PLATED	1								
19	1	129900-32030	O-RING, P20	1								
20	1	129953-35000	PIPE ASSY, OIL INLET	1								
25	1	26106-080122	BOLT, M8X 12 PLATED	1								
26	1	26106-080162	BOLT, M8X 16 PLATED	1								
27	1	119761-39450	SWITCH, HYDRAULIC	1								
28	1	129927-39060	PIPE ASSY, OIL	1								
30	2	123907-39500	RETAINER, PIPE	1								
32	1	129005-59830	BOLT ASSY, JOINT M8	2								
33	2	22190-080002	WASHER, SEAL 8	2								
34	2	23857-030000	BOLT, JOINT 3	2								
35	1	22190-080002	WASHER, SEAL 8	2								
36	1	26106-080122	BOLT, M8X 12 PLATED	1								
37	1	129930-39050	PIPE, OIL	1								
38	1	105010-39140	BOLT, PIPE JOINT	2								
39	1	22190-080002	WASHER, SEAL 8	4								
40	1	171056-49120	PLUG, DRAIN R1/4	1								
41	1	129150-35153	FILTER ASSY, D80X80L	1								1

Remarks

(1)Spare parts.

Fig.10. COOLING WATER SYSTEM



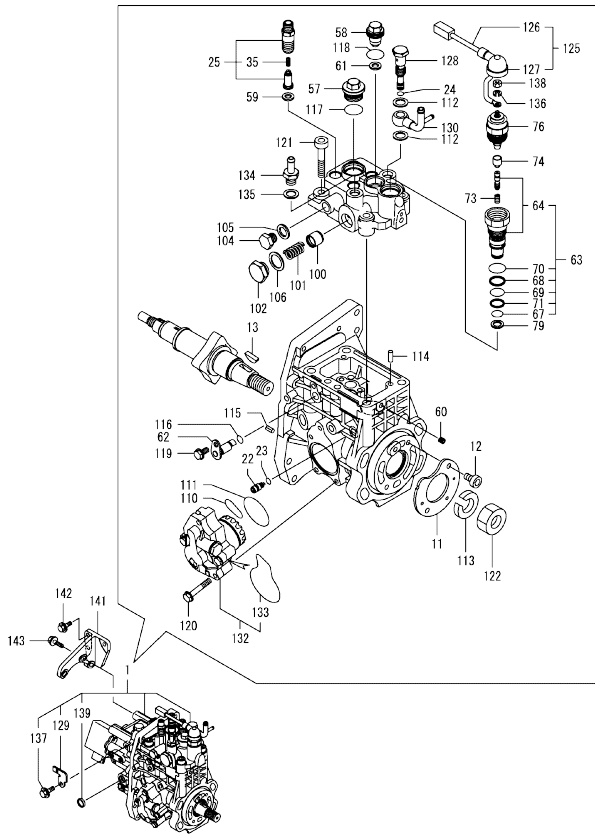
No.	Lev.	Parts No.	Description	Q'ty						I	R
				(A)	(B)	(C)	(D)	(E)	(F)		
1	1	129921-42011	PUMP ASSY, CW HIGH	1							
2	2	129973-42030	PUMP ASSY, CW HIGH	1							
14	2	129963-49300	JOINT, D14	1							
15	2	129916-49740	PLUG, R3/8	3							
16	1	129900-42061	GASKET, WATER PUMP	1							
17	1	129900-42070	PIPE, WATER	1							
18	1	129900-42140	O-RING, P36	2							
19	1	23414-080000	GASKET, 8X1.0	1							
20	1	26106-080122	BOLT, M8X 12 PLATED	1							
21	1	26106-080552	BOLT, M8X 55 PLATED	3							
22	1	129900-42450	V-PULLEY, C.W.PUMP	1							
23	1	129957-42290	V-BELT, A46	1							
24	1	129916-44740	FAN, COOLING D=430	1							
25	1	119130-44760	SPACER, FAN	1							
26	1	26014-080352	BOLT, M8X 35	4							
27	1	121850-49550	GASKET, THERMOSTAT	1							
28	1	129900-49551	COVER, THERMOSTAT	1							
29	1	129900-49560	GASKET	1							
30	1	121850-49811	THERMOSTAT, 71C	1							
31	1	26106-080252	BOLT, M8X 25 PLATED	2							
32	1	121450-42450	PLUG, M16	2							
33	1	129927-44900	SENSOR, WATER TEMP.	1							
34	1	124465-44950	GASKET, 16	2							
35	1	22190-120002	WASHER, SEAL 12	1							
36	1	129938-49650	PIPE ASSY, WATER	1							
39	2	23080-012000	CLAMP, 12	2							
40	1	129938-49660	PIPE ASSY, WATER	1							
43	2	23080-012000	CLAMP, 12	2							

N:Old  $\frac{100}{100}$  New, Q:Old  $\frac{100}{100}$  New, R:Old  $\frac{100}{100}$  New, S:Old  $\frac{100}{100}$  New, W:Add, Z:Discontinued, F:Interchangeable by set, K:Q'ty Change  
 Copyright (C) 2016 YANMAR GLOBAL CS CO., LTD. All Rights Reserved.

Fig.11. FUEL INJECTION PUMP

(A)=4TNV98-ZNLS  
(B)=  
(C)=

(D)=  
(E)=  
(F)=

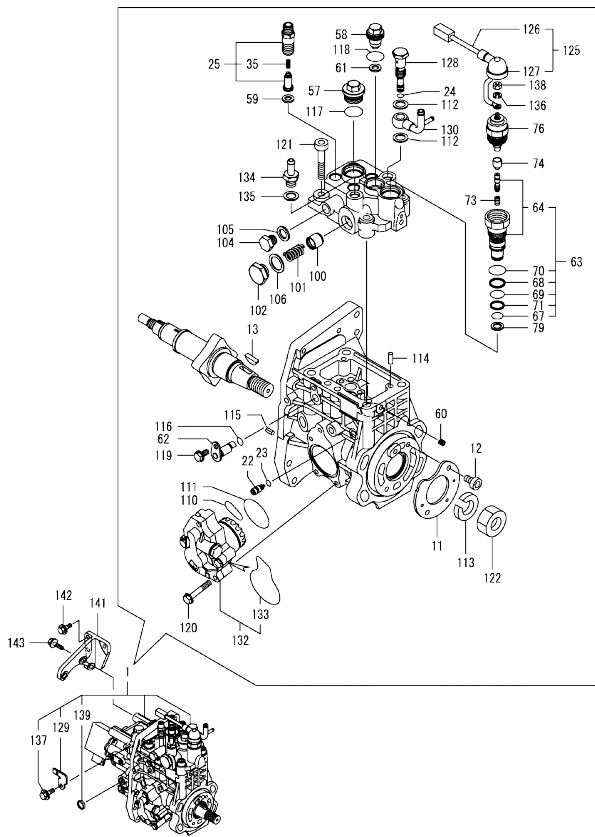


No.	Lev.	Parts No.	Description	Q'ty						I	R
				(A)	(B)	(C)	(D)	(E)	(F)		
1	1	729939-51390	FIE ASSY	1							1
11	2	129928-51900	COVER	1							
12	2	129008-51920	BOLT, SOCKET M6X10	2							
13	2	144626-51090	FEATHER KEY, 5X19	1							
22	2	158600-51270	STOPPER, TAPPET	1							
23	2	158563-51281	O-RING, 4D S6	1							
24	2	158563-51281	O-RING, 4D S6	1							
25	2	129927-51390	VALVE ASSY, DELIVERY	4							
35	3	158563-51330	SPRING, DELIVERY	4							
57	2	158601-51550	PLUG, M22	1							
58	2	129907-51560	PLUG, M16	1							
59	2	158552-51571	GASKET, PLUG	4							
60	2	158557-51570	PLUG, RACK	1							
61	2	129906-51580	GASKET, PLUG	1							
62	2	158552-51580	LIFTER, LINK	1							
63	2	129657-51590	TIMER ASSY	1							
64	3	129657-51600	TIMER ASSY	1							
67	3	158553-51670	O-RING	1							
68	3	119802-51680	RING, BACKUP	1							
69	3	119802-51690	O-RING	1							
70	3	24356-190200	O-RING, 4D19020	1							
71	3	24372-000150	RING, BACK UP T2P15	1							
73	2	119852-51630	SPRING, TIMER	1							
74	2	119852-51640	CAP, TIMER	1							
76	2	119852-51650	VALVE ASSY, SOLENOID	1							
79	2	158553-51680	GASKET, TIMER	1							
100	2	158601-51770	PISTON, ACCUMULATOR	1							
101	2	158552-51781	SPRING, ACCUMULATOR	1							
102	2	158601-51790	PLUG	1							
104	2	158553-51930	PLUG, M12	1							
105	2	22190-120002	WASHER, SEAL 12	1							
106	2	22190-180002	WASHER, SEAL 18	1							
110	2	158552-52311	O-RING	1							
111	2	158552-52400	O-RING, 4E S42	1							
112	2	22190-120002	WASHER, SEAL 12	2							
113	2	22217-180000	WASHER, SPRING 18	1							
114	2	22312-050140	PIN, PARALLEL 5X14	2							
115	2	22351-050010	PIN, SPRING 5.0X10	2							
116	2	24311-000070	O-RING, 1AP7.0	1							
117	2	24356-190200	O-RING, 4D19020	1							
118	2	24356-240210	O-RING, 4D24021	1							
119	2	26106-060102	BOLT, M6X 10 PLATED	1							
120	2	26106-060352	BOLT, M6X 35 PLATED	4							
121	2	26450-100452	BOLT, M10X 45	4							
122	2	26776-180002	NUT, LOCK M18	1							
125	2	129927-51650	HARNES ASSY, WIRE	1							
126	3	129927-51660	HARNES	1							
127	3	129263-77941	CAP, RUBBER	1							
128	2	158601-51650	JOINT, OVER FLOW	1							
129	2	129927-51670	BRACKET	1							
130	2	158552-51670	JOINT, OVER FLOW	1							

Remarks

- (1)Governor(Fig.12) is incorporated in this Fuel Injection Pump(No.1).
- (1)Eco pump
- Make sure to update the engines ECU information when replacing the Eco pump.
- Failing to do so will result in engine malfunction.

Fig.11. FUEL INJECTION PUMP



No.	Lev.	Parts No.	Description	Q'ty					
				(A)	(B)	(C)	(D)	(E)	(F)
132	2	158552-52100	PUMP ASSY, FUEL FEED	1					
133	3	158552-52500	O-RING	1					
134	2	119934-59910	JOINT, PIPE	1					
135	2	22190-120002	WASHER, SEAL 12	1					
136	2	22217-050000	WASHER, SPRING 5	1					
137	2	26106-060122	BOLT, M6X 12 PLATED	1					
138	2	26716-050002	NUT, M5	1					
139	2	27241-160000	PLUG, 16	1					
141	1	129927-51250	RETAINER, PUMP	1					
142	1	26106-080202	BOLT, M8X 20 PLATED	3					
143	1	26106-080302	BOLT, M8X 30 PLATED	3					

Remarks

(1)Governor(Fig.12) is incorporated in this Fuel Injection Pump(No.1).  
 (1)Eco pump  
 Make sure to update the engines ECU information when replacing the Eco pump.  
 Failing to do so will result in engine malfunction.



OCD50-M01930 4TNV98-ZNLS  
**Fig.12. GOVERNOR**

OCD50-M01930 Fig.12

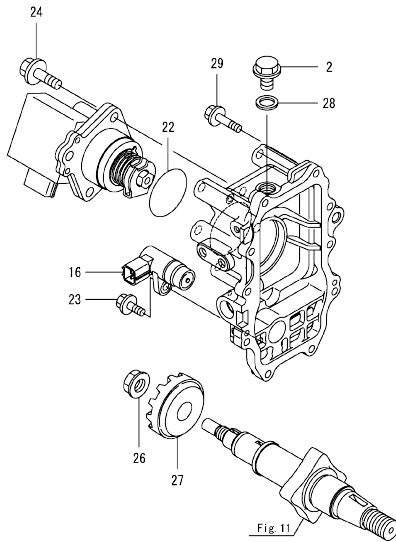


Fig.11

(A)=4TNV98-ZNLS  
 (B)=  
 (C)=

(D)=  
 (E)=  
 (F)=

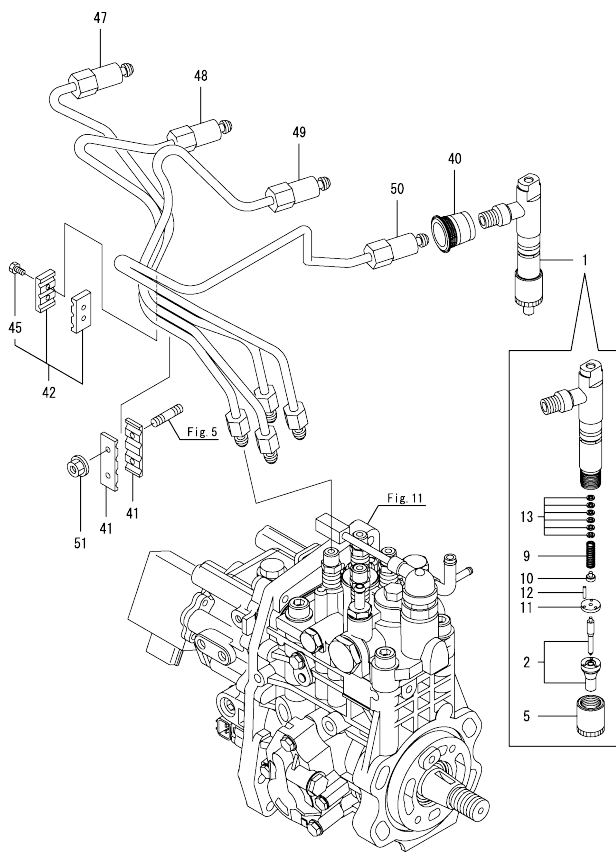
No.	Lev.	Parts No.	Description	Q'ty						I	R
				(A)	(B)	(C)	(D)	(E)	(F)		
2	2	158553-51930	PLUG, M12	1							
16	2	158557-61720	SENSOR	1							
22	2	24341-000480	O-RING, 1AS48.0	1							
23	2	26106-060162	BOLT, M6X 16 PLATED	1							
24	2	26106-080252	BOLT, M8X 25 PLATED	3							
26	2	129008-61301	NUT	1							
27	2	158553-61780	GEAR, SENSOR	1							
28	2	22190-120002	WASHER, SEAL 12	1							
29	2	26106-060252	BOLT, M6X 25 PLATED	10							

Remarks

\* This figure(Governor) is incorporated in the Fuel Injection Pump(Fig.11).

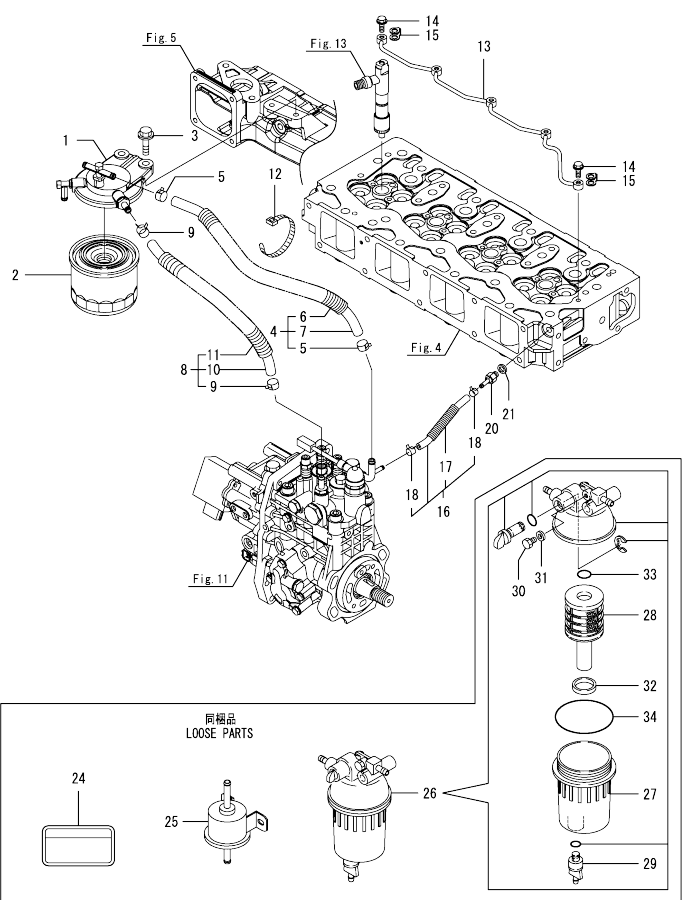
N:Old  $\frac{100}{100}$  New, Q:Old  $\frac{100}{100}$  New, R:Old  $\frac{100}{100}$  New, S:Old  $\frac{100}{100}$  New, W:Add, Z:Discontinued, F:Interchangeable by set, K:Qty Change  
 Copyright (C) 2016 YANMAR GLOBAL CS CO., LTD. All Rights Reserved.

Fig.13. FUEL INJECTION VALVE



No.	Lev.	Parts No.	Description	Q'ty					
				(A)	(B)	(C)	(D)	(E)	(F)
1	1	729927-53100	FUEL INJECTOR ASSY	4					
2	2	129927-53000	NOZZLE ASSY, F.I.	4					
5	2	114250-53080	NUT, NOZZLE	4					
9	2	114250-53120	SPRING, NOZZLE	4					
10	2	114250-53130	SEAT, SPRING	4					
11	2	114250-53140	SPACER	4					
12	2	114250-53210	PIN	8					
13	2	119803-53400	SHIM SET	4					
40	1	123907-11601	SEAL, PIPE	4					
41	1	123472-59120	RETAINER, PIPE	2					
42	1	129150-59120	RETAINER, PIPE	1					
45	2	129150-59131	BOLT, M4X14	2					
47	1	129927-59810	PIPE ASSY, INJECTION	1					
48	1	129927-59820	PIPE ASSY, INJECTION	1					
49	1	129927-59830	PIPE ASSY, INJECTION	1					
50	1	129927-59840	PIPE ASSY, INJECTION	1					
51	1	26366-060002	NUT, M6	2					

Fig.14. FUEL PIPE



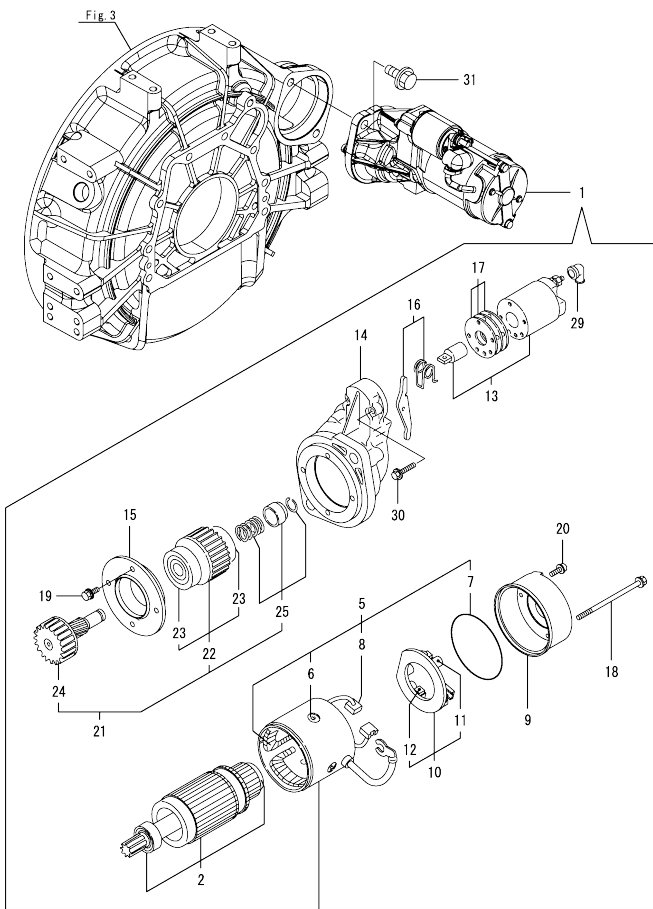
(A)=4TNV98-ZNLS  
(B)=  
(C)=

(D)=  
(E)=  
(F)=

No.	Lev.	Parts No.	Description	Qty						I	R
				(A)	(B)	(C)	(D)	(E)	(F)		
1	1	129004-55612	BRACKET, FILTER	1							
2	1	119802-55801	FILTER, FUEL	1							
3	1	26106-080302	BOLT, M8X 30 PLATED	2							
4	1	129457-59010	HOSE ASSY, FUEL	1							
5	2	124766-59050	CLAMP, HOSE 11.5	2							
6	2	129957-59120	TUBE, CORRUGATED 15	1							
7	2	105025-59750	HOSE, FUEL	1							
8	1	129961-59310	HOSE ASSY, FUEL	1							
9	2	124766-59050	CLAMP, HOSE 11.5	2							
10	2	129136-59110	HOSE, D13/7.5X270	1							
11	2	129961-59110	TUBE, CORRUGATED 15	1							
12	1	121750-59890	BAND, NYLON	1							
13	1	129907-59140	PIPE ASSY, RETURN	1							
14	1	123907-59540	BOLT, PIPE JOINT M6	5							
15	1	123907-59550	GASKET	5							
16	1	129927-59550	HOSE ASSY RETURN	1							
17	2	129263-49750	TUBE, CORRUGATED	1							
18	2	124722-59050	CLAMP, HOSE 9	2							
20	1	123907-59560	JOINT, HOSE	1							
21	1	22190-080002	WASHER, SEAL 8	1							
24	1	114110-07761	LABEL, FUEL OIL CAUT	1							
25	1	129612-52100	PUMP, FUEL FEED	1							
26	1	129245-55701	SEPARATOR ASSY, WATER	1							
27	2	129245-55720	CUP ASSY, SEPARATOR	1							
28	2	129242-55730	ELEMENT, FUEL	1							
29	2	129242-55740	PLUG, DRAIN	1							
30	2	129242-55750	VALVE, AIR VENT	1							
31	2	129242-55760	GASKET, PLUG	1							
32	2	129242-55770	FLOAT	1							
33	2	24311-000160	O-RING, 1AP16.0	1							
34	2	24321-000750	O-RING, 1AG75.0	1							

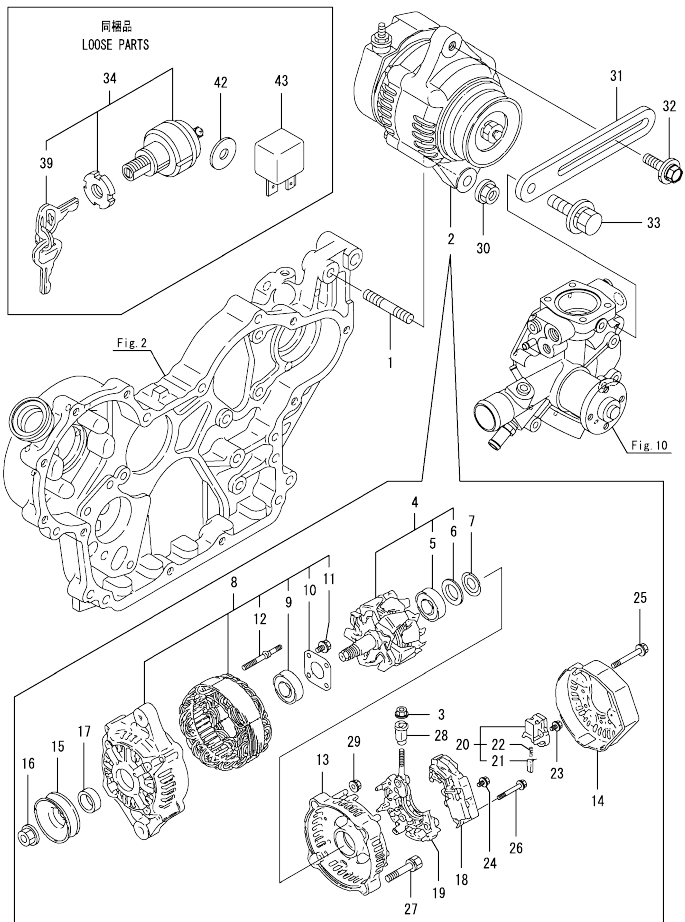
N:Old  $\frac{New}{Old}$  New, Q:Old  $\frac{New}{Old}$  New, R:Old  $\frac{New}{Old}$  New, S:Old  $\frac{New}{Old}$  New, W:Add, Z:Discontinued, F:Interchangeable by set, K:Qty Change  
Copyright (C) 2016 YANMAR GLOBAL CS CO., LTD. All Rights Reserved.

Fig.15. STARTER MOTOR



No.	Lev.	Parts No.	Description	Q'ty					
				(A)	(B)	(C)	(D)	(E)	(F)
1	1	129940-77011	STARTER ASSY	1					
2	2	129940-77100	ARMATURE ASSY	1					
5	2	129940-77130	COIL ASSY, FIELD	1					
6	3	129940-77140	SCREW, CORE SET	4					
7	3	129940-77150	O-RING	1					
8	3	129940-77160	BRUSH	2					
9	2	129940-77171	COVER	1					
10	2	129940-77181	HOLDER ASSY, BRUSH	1					
11	3	129940-77190	SPRING, BRUSH	1					
12	3	129940-77200	BRUSH	2					
13	2	129940-77210	SWITCH ASSY, MAGNET	1					
14	2	129940-77221	CASE, GEAR	1					
15	2	129940-77230	RETAINER, BEARING	1					
16	2	129940-77240	LEVER SET	1					
17	2	129940-77250	COVER KIT, DUST	1					
18	2	129940-77260	BOLT, THROUGH	2					
19	2	129940-77270	BOLT	4					
20	2	129940-77280	SCREW	2					
21	2	123900-77510	PINION ASSY	1					
22	3	123900-77520	CLUTCH ASSY	1					
23	4	X2240610100	BEARING, BALL	2					
24	3	123900-77540	SHAFT, PINION	1					
25	3	119131-77550	STOPPER SET, PINION	1					
29	2	121254-77810	COVER, TERMINAL	1					
30	2	114371-79070	BOLT	2					
31	1	26106-120252	BOLT, M12X 25 PLATED	2					

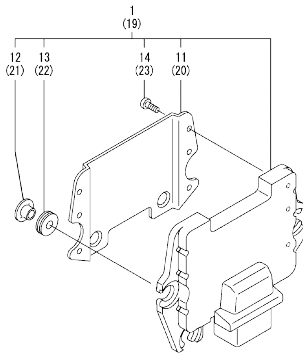
Fig.16. GENERATOR



No.	Lev.	Parts No.	Description	Q'ty						I	R
				(A)	(B)	(C)	(D)	(E)	(F)		
1	1	129795-01900	BOLT, STUD M10X33	1							
2	1	119620-77201	GENERATOR ASSY, 40A	1							
3	2	X9490561001	NUT	1							
4	2	119620-77380	ROTOR ASSY	1							
5	3	123501-79240	BEARING, BALL	1							
6	3	119620-79250	COVER, BEARING	1							
7	2	119620-79360	WASHER, THRUST	1							
8	2	119620-77421	FRAME ASSY, GENERATOR	1							
9	3	119620-79200	BEARING, BALL	1							
10	3	119620-79210	RETAINER	1							
11	3	119620-79220	SCREW	4							
12	3	119620-79230	BOLT, STUD	2							
13	2	119620-77440	FRAME ASSY	1							
14	2	119620-77450	COVER	1							
15	2	119620-77461	PULLEY, GENERATOR	1							
16	2	119620-77471	NUT	1							
17	2	119620-77490	COLLAR	1							
18	2	119620-77710	REGULATOR ASSY	1							
19	2	119620-79260	HOLDER	1							
20	2	119620-79270	HOLDER, BRUSH	1							
21	3	119620-77480	BRUSH	2							
22	3	119620-79280	SPRING	2							
23	2	119620-79290	SCREW	6							
24	2	119620-79300	SCREW	1							
25	2	119620-79310	BOLT	3							
26	2	119620-79320	SCREW	2							
27	2	119620-79330	BOLT	2							
28	2	119620-79340	BUSH, INSULATION	1							
29	2	119620-79350	NUT	2							
30	1	26306-100002	NUT, M10	1							
31	1	129988-77330	ADJUSTER, BELT	1							
32	1	119810-77340	BOLT, ADJUST L=30	1							
33	1	26014-080252	BOLT, M8X 25	1							
34	1	194215-52110	SWITCH, STARTING	1							
39	2	194155-52160	KEY ASSY	1							
42	1	129927-77690	WASHER, ECU	3							
43	1	129927-77920	RELAY, ISO 70A	2							

N:Old  $\frac{100}{100}$  New, Q:Old  $\frac{100}{100}$  New, R:Old  $\frac{100}{100}$  New, S:Old  $\frac{100}{100}$  New, W:Add, Z:Discontinued, F:Interchangeable by set, K:Q'ty Change  
 Copyright (C) 2016 YANMAR GLOBAL CS CO., LTD. All Rights Reserved.

Fig.17. ELECTRONIC CONTROL UNIT(ECU)



No.	Lev.	Parts No.	Description	Q'ty						I	R
				(A)	(B)	(C)	(D)	(E)	(F)		
1	1	129923-75170	ECU ASSY,498-ZNLS	1							1
11	2	129927-77600	SHIELD, ECU	1							
12	2	129927-77680	COLLAR, CONTROL	3							
13	2	119578-91351	ABSORBER	3							
14	2	22877-500080	SCREW, 5X 8	6							
19	1	129927-75900	ECU ASSY, SERVICE	1							2
20	2	129927-77600	SHIELD, ECU	1							
21	2	129927-77680	COLLAR, CONTROL	3							
22	2	119578-91351	ABSORBER	3							
23	2	22877-500080	SCREW, 5X 8	6							

Remarks

- (1)Eco ECU  
This part cannot be ordered.
- Replace the part using a Service ECU with the proper engine information installed.
- (2)Service ECU  
If the proper information is not installed, the engine will not operate.
- To install proper information, go to an authorized distributor.

## Parts No. Index

Parts No.	Fig. No.	Ref. No.	Parts No.	Fig. No.	Ref. No.	Parts No.	Fig. No.	Ref. No.	Parts No.	Fig. No.	Ref. No.
105010-39140	9	38	119802-11870	4	22	124766-59050	14	5	129900-21220	8	3
105025-59750	14	7	119802-51680	11	68			9	129900-23001	8	25
114110-07761	14	24	119802-51690	11	69	127410-21480	8	14	129900-23200	8	28
114250-53080	13	5	119802-55801	14	2	129004-55612	14	1	129900-23601	8	29
114250-53120	13	9	119803-11340	4	13	129005-59830	9	32	129900-23611	8	32
114250-53130	13	10	119803-53400	13	13	129006-44480	9	5	129900-23911	8	31
114250-53140	13	11	119810-77340	16	32	129008-51920	11	12	129900-25110	7	10
114250-53210	13	12	119852-51630	11	73	129008-61301	12	26	129900-26020	7	16
114371-79070	15	30	119852-51640	11	74	129100-01580	2	1	129900-26250	2	17
119000-01840	3	3	119852-51650	11	76		3	1	129900-32001	2	4
119005-77051	5	9	119934-59910	11	134	129136-59110	14	10	129900-32030	2	18
119129-77020	5	7	120130-22301	8	23	129150-02450	7	4		9	19
119130-44760	10	25	121254-77810	15	29	129150-11230	4	35	129900-32040	2	19
119131-18320	6	3	121450-42450	10	32		39		129900-42061	10	16
119131-77550	15	25	121750-59890	14	12	129150-11750	4	17	129900-42070	10	17
119260-34810	9	12	121850-21130	8	11		36		129900-42140	10	18
119578-91351	17	13	121850-21290	8	4		40		129900-42450	10	22
		22	121850-21920	8	5	129150-14200	7	1	129900-49551	10	28
119593-11301	4	27	121850-49550	10	27	129150-25920	7	19	129900-49560	10	29
119620-11180	4	12	121850-49811	10	30	129150-35153	9	41	129902-21050	8	1
119620-77201	16	2	121850-77021	5	8	129150-59120	13	42	129902-21580	8	12
119620-77380	16	4	123472-59120	13	41	129150-59131	13	45	129906-51580	11	61
119620-77421	16	8	123501-79240	16	5	129242-55730	14	28	129907-01331	1	28
119620-77440	16	13	123900-25060	7	9	129242-55740	14	29	129907-03011	4	49
119620-77450	16	14	123900-77510	15	21	129242-55750	14	30	129907-03061	4	50
119620-77461	16	15	123900-77520	15	22	129242-55760	14	31	129907-03070	4	51
119620-77471	16	16	123900-77540	15	24	129242-55770	14	32	129907-07900	4	66
119620-77480	16	21	123907-03100	4	52	129245-55701	14	26	129907-11100	4	9
119620-77490	16	17	123907-03110	4	53	129245-55720	14	27	129907-11110	4	10
119620-77710	16	18	123907-03120	4	54	129263-13210	6	5	129907-11120	4	11
119620-79200	16	9	123907-03140	4	55	129263-49750	14	17	129907-11250	4	29
119620-79210	16	10	123907-11280	4	32	129263-77941	11	127	129907-11260	4	30
119620-79220	16	11	123907-11550	4	1	129418-18320	6	4	129907-11270	4	31
119620-79230	16	12	123907-11601	13	40	129457-59010	14	4	129907-11341	4	28
119620-79250	16	6	123907-11820	4	19	129612-52100	14	25	129907-11510	4	15
119620-79260	16	19	123907-11830	4	18	129657-51590	11	63	129907-11650	4	33
119620-79270	16	20	123907-39500	9	30	129657-51600	11	64	129907-11660	4	37
119620-79280	16	22	123907-59540	14	14	129795-01900	16	1	129907-11800	4	68
119620-79290	16	23	123907-59550	14	15	129900-01200	1	27	129907-11910	4	24
119620-79300	16	24	123907-59560	14	20	129900-01250	1	4	129907-11920	4	41
119620-79310	16	25	123910-49600	9	7	129900-01850	2	42	129907-11950	4	25
119620-79320	16	26	123910-49610	9	9	129900-01870	2	43	129907-12110	5	1
119620-79330	16	27	123912-33050	9	2	129900-02020	1	6	129907-14400	7	2
119620-79340	16	28	123912-33100	9	3	129900-02341	1	32	129907-21650	8	8
119620-79350	16	29	124160-01751	2	30	129900-02410	1	9	129907-25900	7	15
119620-79360	16	7		4	47	129900-02931	1	24	129907-51560	11	58
119625-11880	4	23	124160-11340	4	14	129900-02941	1	35	129907-59140	14	13
119640-01640	3	7	124160-11360	4	63	129900-13251	6	6	129908-14590	7	3
119640-61400	4	58	124465-44950	10	34	129900-14110	7	6	129908-33010	9	1
119761-39450	9	27	124722-59050	14	18	129900-14140	2	16	129908-33101	9	4

## Parts No. Index

Parts No.	Fig. No.	Ref. No.
129908-49060	9	6
129915-01610	3	2
129916-01790	3	5
129916-01800	2	41
129916-21610	8	7
129916-44740	10	24
129916-49740	10	15
129921-34840	9	13
129921-34850	9	14
129921-42011	10	1
129921-77520	5	10
129923-75170	17	1
129927-11320	4	48
129927-11700	4	2
129927-12100	5	3
129927-12150	5	2
129927-13800	6	9
129927-13810	6	10
129927-13910	6	14
129927-13920	6	15
129927-22050	8	17
129927-22080	8	15
129927-39060	9	28
129927-44900	10	33
129927-51250	11	141
129927-51390	11	25
129927-51650	11	125
129927-51660	11	126
129927-51670	11	129
129927-53000	13	2
129927-59550	14	16
129927-59810	13	47
129927-59820	13	48
129927-59830	13	49
129927-59840	13	50
129927-75900	17	19
129927-77600	17	11
		20
129927-77680	17	12
		21
129927-77690	16	42
129927-77920	16	43
129928-13900	6	13
129928-51900	11	11
129930-01870	2	36
129930-13201	6	18
129930-39050	9	37
129933-11310	4	57
129938-49650	10	36
129938-49660	10	40

Parts No.	Fig. No.	Ref. No.
129939-13120	6	2
129939-13170	6	1
129940-77011	15	1
129940-77100	15	2
129940-77130	15	5
129940-77140	15	6
129940-77150	15	7
129940-77160	15	8
129940-77171	15	9
129940-77181	15	10
129940-77190	15	11
129940-77200	15	12
129940-77210	15	13
129940-77221	15	14
129940-77230	15	15
129940-77240	15	16
129940-77250	15	17
129940-77260	15	18
129940-77270	15	19
129940-77280	15	20
129951-01740	2	32
129953-25300	7	14
129953-35000	9	20
129957-42290	10	23
129957-59120	14	6
129960-21930	8	9
129960-21940	8	10
129961-59110	14	11
129961-59310	14	8
129963-01500	2	3
129963-49300	10	14
129973-42030	10	2
129982-01710	3	6
129988-77330	16	31
129E00-13650	6	7
144626-51090	11	13
158552-51571	11	59
158552-51580	11	62
158552-51670	11	130
158552-51781	11	101
158552-52100	11	132
158552-52311	11	110
158552-52400	11	111
158552-52500	11	133
158553-51670	11	67
158553-51680	11	79
158553-51930	11	104
		12
		2
158553-61780	12	27
158557-51570	11	60

Parts No.	Fig. No.	Ref. No.
158557-61720	12	16
158563-51150	7	18
158563-51281	11	23
		24
158563-51330	11	35
158600-51270	11	22
158601-51550	11	57
158601-51650	11	128
158601-51770	11	100
158601-51790	11	102
171051-01921	1	5
171056-49120	9	40
175339-79700	4	59
194155-52160	16	39
194215-52110	16	34
22190-080002	9	33
		35
		39
	14	21
22190-120002	10	35
	11	105
		112
		135
	12	28
22190-180002	11	106
22190-220002	3	9
22217-050000	11	136
22217-180000	11	113
22252-000300	8	24
22312-050140	11	114
22351-050010	11	115
22351-060012	1	11
22512-070140	7	7
	8	6
22857-500100	4	60
		61
22877-500080	17	14
		23
23000-025000	9	10
23080-012000	10	39
		43
23414-080000	10	19
23857-030000	9	34
23876-020000	4	6
23876-030000	1	12
		13
		14
	4	7
24311-000070	2	21
	11	116

Parts No.	Fig. No.	Ref. No.
24311-000120	4	26
		64
24311-000160	14	33
24311-000320	2	31
	4	65
24316-240100	9	15
24321-000600	9	11
24321-000750	14	34
24321-000850	2	37
24341-000480	12	22
24351-030750	2	22
24356-190200	11	70
		117
24356-240210	11	118
24372-000150	11	71
26014-080252	16	33
26014-080352	10	26
26106-060102	11	119
26106-060122	4	62
	11	137
26106-060162	12	23
26106-060252	12	29
26106-060352	11	120
26106-080122	3	10
	9	25
		36
	10	20
26106-080142	7	8
26106-080162	2	24
		44
	4	67
	9	16
		26
26106-080202	2	25
		33
	11	142
26106-080252	10	31
	12	24
26106-080302	11	143
	14	3
26106-080402	2	45
	4	43
	5	11
26106-080452	2	27
		34
	5	5
26106-080552	7	13
	10	21
26106-080602	4	44
		45



## Parts No. Index

Parts No.	Fig. No.	Ref. No.
26106-080702	2	46
26106-080752	2	35
26106-080802	5	6
26106-080902	5	12
26106-100202	2	38
26106-100302	6	11
		16
26106-100952	6	17
26106-120252	15	31
26206-100352	3	4
26216-060202	5	4
26216-100302	2	15
26226-080222	4	42
26306-080002	4	46
	6	8
		12
26306-100002	2	29
	16	30
26366-060002	13	51
26450-100452	11	121
26716-050002	11	138
26776-180002	11	122
27241-160000	11	139
27241-300000	1	10
27241-400000	4	8
27310-070001	4	20
729900-02801	1	29
729907-01559	2	39
729927-01560	1	1
729927-22900	8	34
729927-22950	8	36
729927-53100	13	1
729939-51390	11	1
X2240610100	15	23
X9490561001	16	3

Parts No.	Fig. No.	Ref. No.
-----------	----------	----------

Parts No.	Fig. No.	Ref. No.
-----------	----------	----------

Parts No.	Fig. No.	Ref. No.
-----------	----------	----------