

0CD50-M00250EN

P R E F A C E

This parts catalog is the 1st edition of 4TNV98-ZNKTC for Tong Yang Moolsan Co., Ltd.

Published : April, 2014

Contents

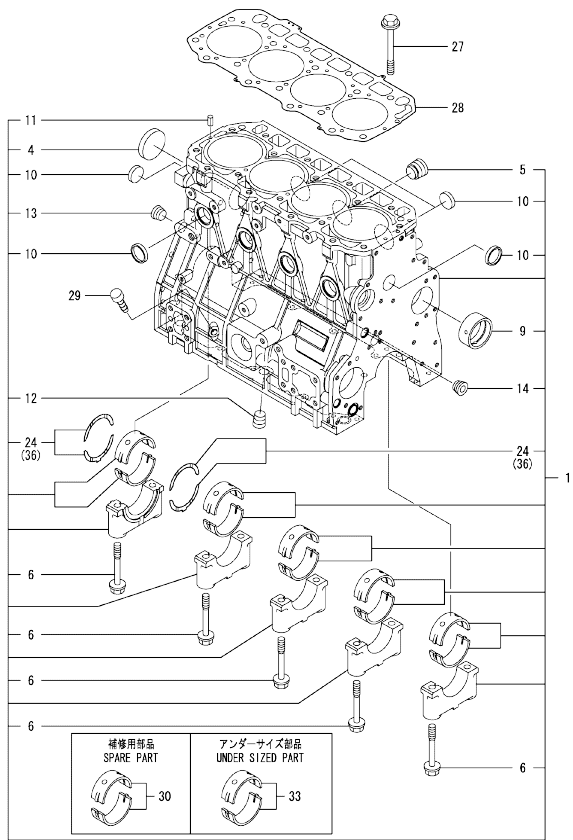
0CD50-M00250

Fig. No.	Fig. Name	Fig. No.	Fig. Name
4TNV98-ZNKTC			
1.	CYLINDER BLOCK		
2.	GEAR HOUSING		
3.	OIL SUMP		
4.	CYLINDER HEAD & BONNET		
5.	SUCTION MANIFOLD		
6.	EXHAUST MANIFOLD		
7.	CAMSHAFT & DRIVING GEAR		
8.	CRANKSHAFT & PISTON		
9.	LUB. OIL SYSTEM		
10.	COOLING WATER SYSTEM		
11.	FUEL INJECTION PUMP		
12.	GOVERNOR		
13.	FUEL INJECTION VALVE		
14.	FUEL PIPE		
15.	ELECTRONIC CONTROL UNIT(ECU)		
16.	ELECTRIC PARTS		
17.	ACCESSORY		

Fig.1. CYLINDER BLOCK

(A)=4TNV98-ZNKTC
(B)=
(C)=

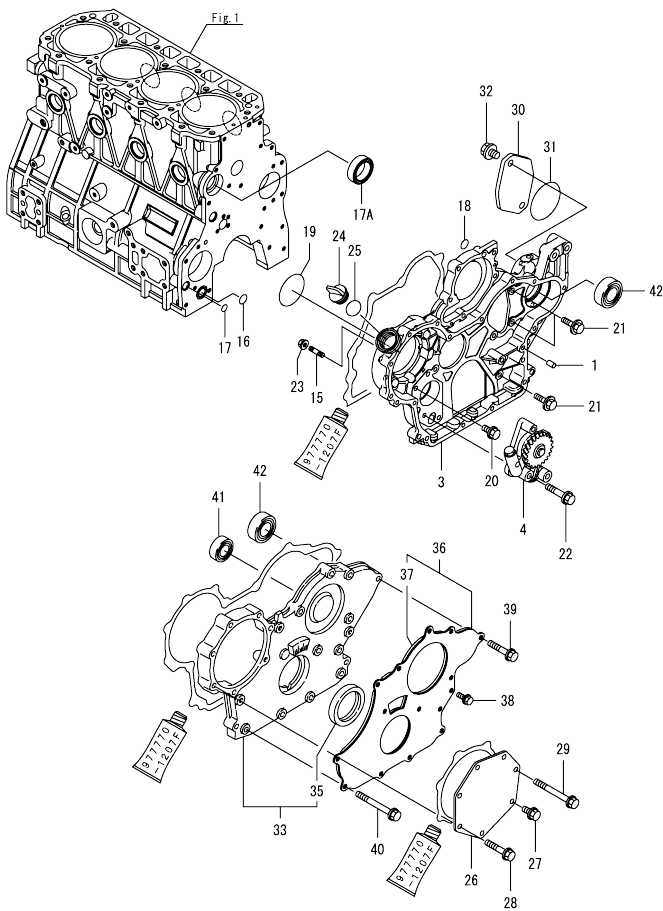
(D)=
(E)=
(F)=



No.	Lev.	Parts No.	Description	Q'ty						I	R
				(A)	(B)	(C)	(D)	(E)	(F)		
1	1	729927-01560	BLOCK ASSY, CYLINDER	1							
4	2	129900-01250	PLUG, DISH TYPE 55	1							
5	2	171051-01921	PLUG, NPTF1	1							
6	2	129900-02020	BOLT, METAL CAP	10							
9	2	129900-02410	BUSH, CAMSHAFT	1							
10	2	27241-300000	PLUG 30	8							
11	2	22351-060012	PIN, SPRING 6.0X12	2							
12	2	23876-030000	PLUG, R03	1							
13	2	23876-030000	PLUG, R03	1							
14	2	23876-030000	PLUG, R03	1							
24	2	129900-02931	BEARING ASSY, THRUST	2							
27	1	129900-01200	BOLT, CYLINDER HEAD	18							
28	1	129907-01331	GASKET, HEAD	1							
29	1	124976-34850	PLUG	1							
30	1	729900-02801	BEARING, MAIN	5							1
33	1	129900-02341	BEARING ASSY, MAIN	5							2
36	1	129900-02941	BEARING, THRUST 0.25	2							3

Remarks
 (1)Spare parts.
 (2)Under-sized(U.S.=0.25) parts.
 (3)Over-sized(O.S.=0.25) parts.

Fig.2. GEAR HOUSING

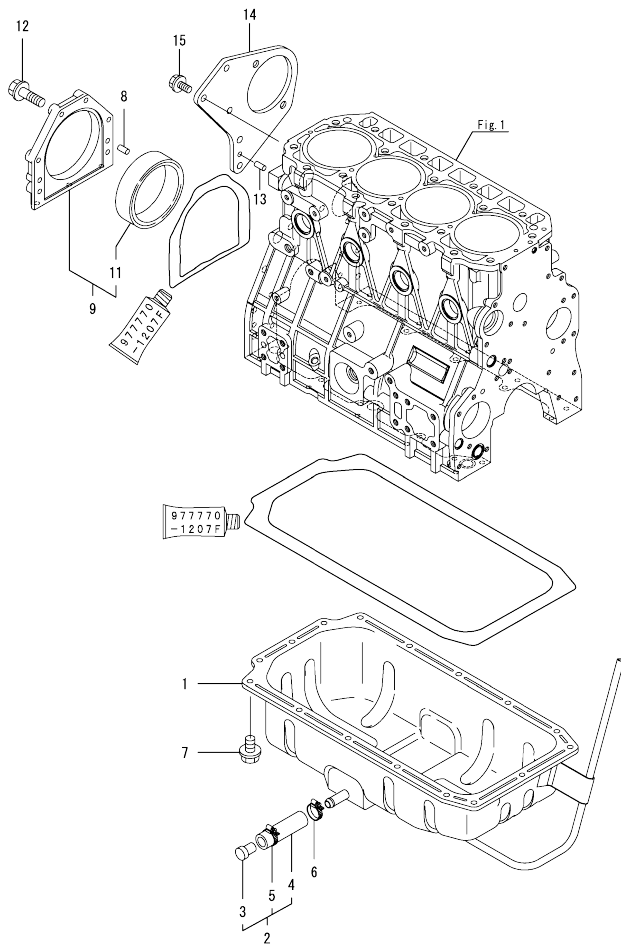


(A)=4TNV98-ZNKTC
(B)=
(C)=

(D)=
(E)=
(F)=

No.	Lev.	Parts No.	Description	Qty						I	R
				(A)	(B)	(C)	(D)	(E)	(F)		
1	1	129100-01580	PIN, PARALLEL 8X16	4							
3	1	129962-01500	CASE, GEAR	1							
4	1	129900-32001	PUMP ASSY, OIL	1							
15	1	26216-100302	STUD, M10X 30	4							
16	1	129900-32030	O-RING, P20	1							
17	1	129900-32040	O-RING, P14	1							
17A	1	129927-42140	GASKET, PUMP OUTLET	1							W
(A=ET8311)											
18	1	24311-000070	O-RING, 1AP7.0	1							
19	1	24351-030750	O-RING, 1A3075	1							
20	1	26106-080162	BOLT, M8X 16 PLATED	1							
21	1	26106-080202	BOLT, M8X 20 PLATED	3							
22	1	26106-080452	BOLT, M8X 45 PLATED	3							
23	1	26306-100002	NUT, M10	4							
24	1	124160-01751	CAP. FILLER	1							
25	1	24311-000320	O-RING, 1AP32.0	1							
26	1	129951-01740	COVER	1							
27	1	26106-080202	BOLT, M8X 20 PLATED	1							
28	1	26106-080452	BOLT, M8X 45 PLATED	5							
29	1	26106-080752	BOLT, M8X 75 PLATED	1							
30	1	121023-26071	COVER, PUMP	1							
31	1	24321-000850	O-RING, 1AG85.0	1							
32	1	26106-100202	BOLT, M10X 20 PLATED	2							
33	1	729907-01559	COVER ASSY,GEAR CASE	1							
35	2	129916-01800	SEAL, OIL	1							
36	1	129900-01850	COVER ASSY,GEAR CASE	1							
37	2	129900-01870	SPONGE, GEAR CASE	1							
38	1	26106-080162	BOLT, M8X 16 PLATED	3							
39	1	26106-080402	BOLT, M8X 40 PLATED	5							
40	1	26106-080702	BOLT, M8X 70 PLATED	6							
41	1	129900-14140	BEARING, BALL 6205	1							
42	1	129900-26250	BEARING, BALL 6206C3	2							

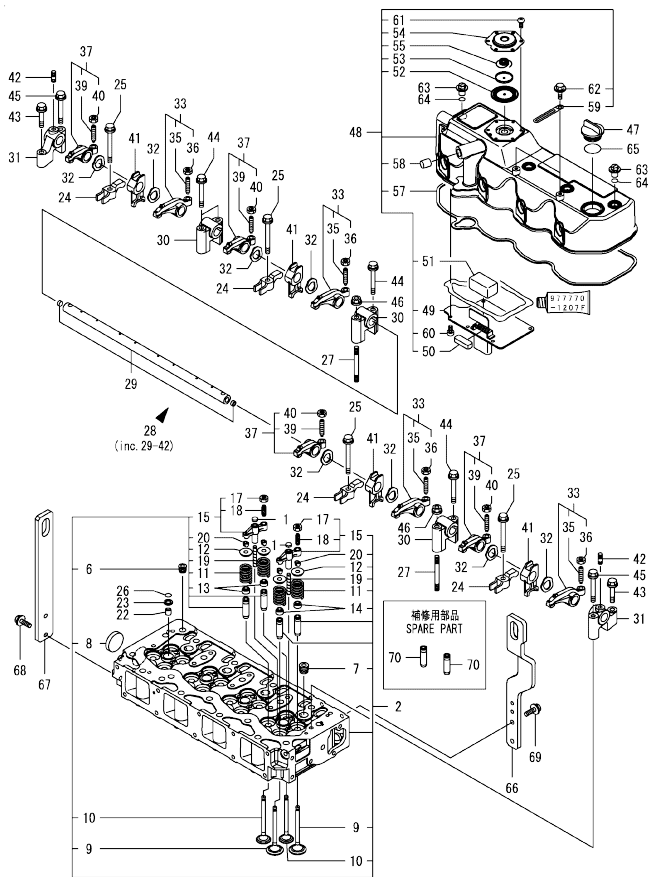
Fig.3. OIL SUMP



No.	Lev.	Parts No.	Description	Q'ty						I	R
				(A)	(B)	(C)	(D)	(E)	(F)		
1	1	129974-01740	SUMP ASSY, OIL	1							
2	1	119540-39950	HOSE ASSY, OIL DRAIN	1							
3	2	119656-39931	PLUG	1							
4	2	119540-39960	HOSE, DRAIN	1							
5	2	23001-022000	CLAMP, HOSE 22	1							
6	1	23001-022000	CLAMP, HOSE 22	1							
7	1	26106-080122	BOLT, M8X 12 PLATED	16							
8	1	129100-01580	PIN, PARALLEL 8X16	2							
9	1	129966-01650	CASE ASSY, OIL SEAL	1							
11	2	129916-01790	SEAL, D115/95XT11	1							
12	1	129486-01670	BOLT, M8X30	6							
13	1	129100-01580	PIN, PARALLEL 8X16	1							
14	1	129960-77410	BRACKET, STARTER	1							
15	1	26206-100202	BOLT, M10X 20 PLATED	5							

N:Old $\frac{100}{100}$ New, Q:Old $\frac{100}{100}$ New, R:Old $\frac{100}{100}$ New, S:Old $\frac{100}{100}$ New, W:Add, Z:Discontinued, F:Interchangeable by set, K:Qty Change
 Copyright (C) 2014 YANMAR GLOBAL CS CO., LTD. All Rights Reserved.

Fig.4. CYLINDER HEAD & BONNET



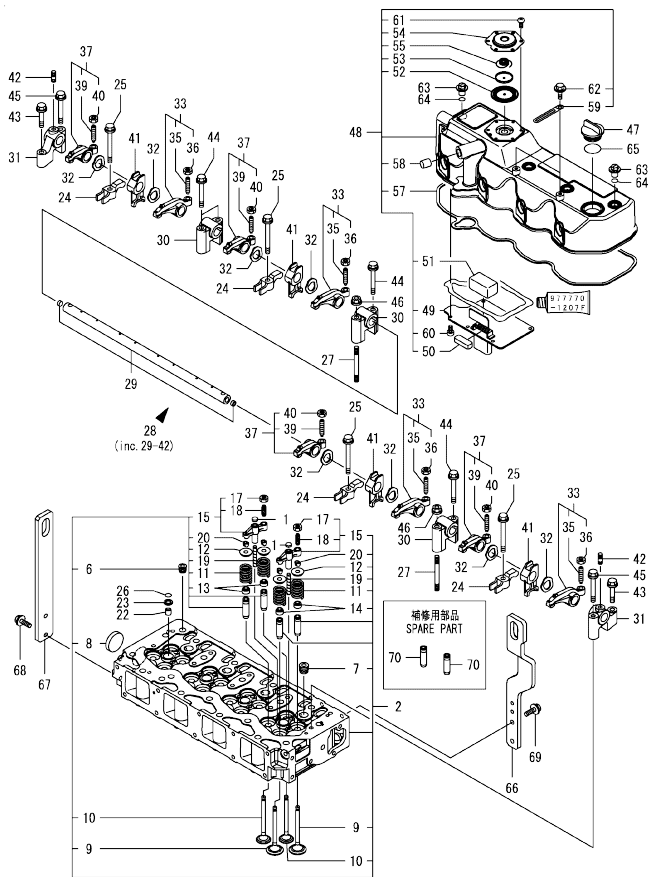
(A)=4TNV98-ZNKTC
(B)=
(C)=

(D)=
(E)=
(F)=

No.	Lev.	Parts No.	Description	Q'ty						I	R
				(A)	(B)	(C)	(D)	(E)	(F)		
1	1	123907-11550	SEAT, VALVE BRIDGE	8							
2	1	129927-11700	HEAD ASSY, CYLINDER	1							
6	2	23876-020000	PLUG, R02	1							
7	2	23876-030000	PLUG, R03	4							
8	2	27241-400000	PLUG, 40	1							
9	2	129907-11100	VALVE, SUCTION	8							
10	2	129907-11110	VALVE, EXHAUST	8							
11	2	129907-11120	SPRING, VALVE	16							
12	2	119620-11180	RETAINER, SPRING	16							
13	2	119803-11340	SEAL, VALVE STEM	8							
14	2	124160-11340	SEAL, VALVE STEM	8							
15	2	129907-11510	BRIDGE ASSY, VALVE	8							
17	3	129150-11750	NUT, M8	8							
18	3	123907-11830	ADJUSTER	8							
19	2	123907-11820	GUIDE, BRIDGE	8							
20	2	27310-070001	COTTER, 7	16							
22	1	119802-11870	PROTECTOR, NOZZLE	4							
23	1	119625-11880	SEAT, NOZZLE	4							
24	1	129907-11910	RETAINER, NOZZLE	4							
25	1	129907-11950	BOLT, M8X75	4							
26	1	24311-000120	O-RING, 1AP12.0	4							
27	1	119593-11301	BOLT, STUD M8X80	2							
28	1	129907-11341	SHAFT ASSY, ROCKER	1							
29	2	129907-11250	SHAFT, ROCKER ARM	1							
30	2	129907-11260	SUPPORT, ROCKER ARM	3							
31	2	129907-11270	SUPPORT, ROCKER ARM	2							
32	2	123907-11280	WASHER	8							
33	2	129907-11650	ARM ASSY, ROCKER	4							
35	3	129150-11230	SCREW, VALVE ADJUST	4							
36	3	129150-11750	NUT, M8	4							
37	2	129907-11660	ARM ASSY, ROCKER	4							
39	3	129150-11230	SCREW, VALVE ADJUST	4							
40	3	129150-11750	NUT, M8	4							
41	2	129907-11920	RETAINER, NOZZLE	4							
42	2	26226-080222	STUD, M8X 22	2							
43	1	26106-080402	BOLT, M8X 40 PLATED	2							
44	1	26106-080602	BOLT, M8X 60 PLATED	4							
45	1	26106-080602	BOLT, M8X 60 PLATED	2							
46	1	26306-080002	NUT, M8	2							
47	1	124160-01751	CAP, FILLER	1							
48	1	129927-11320	BONNET ASSY, HEAD	1							
49	2	129907-03011	PLATE, BAFFLE	1							
50	2	129907-03061	BAFFLE, BREATHER	1							
51	2	129907-03070	BAFFLE, BREATHER	1							
52	2	123907-03100	DIAPHRAGM	1							
53	2	123907-03110	PLATE	1							
54	2	123907-03120	PLATE, BREATHER	1							
55	2	123907-03140	SPRING, DIAPHRAGM	1							
57	2	129933-11310	GASKET, BONNET	1							
58	2	119640-61400	PLUG	1							
59	2	175339-79700	CLIP	2							

Remarks
(1)Spare parts.

Fig.4. CYLINDER HEAD & BONNET



(A)=4TNV98-ZNKTC
(B)=
(C)=

(D)=
(E)=
(F)=

No.	Lev.	Parts No.	Description	Q'ty						I	R
				(A)	(B)	(C)	(D)	(E)	(F)		
60	2	22857-500100	SCREW, 5X10	6							
61	2	22857-500100	SCREW, 5X10	6							
62	2	26106-060122	BOLT, M6X 12 PLATED	2							
63	1	124160-11360	KNOB	4							
64	1	24311-000120	O-RING, 1AP12.0	4							
65	1	24311-000320	O-RING, 1AP32.0	1							
66	1	129973-07901	LIFTER	1							
67	1	129973-07910	LIFTER	1							
68	1	26106-080202	BOLT, M8X 20 PLATED	2							
69	1	26106-080202	BOLT, M8X 20 PLATED	2							
70	1	129907-11800	GUIDE, VALVE	16							1

Remarks

(1)Spare parts.

Fig.5. SUCTION MANIFOLD

(A)=4TNV98-ZNKTC
(B)=
(C)=

(D)=
(E)=
(F)=

No.	Lev.	Parts No.	Description	Q'ty						I	R
				(A)	(B)	(C)	(D)	(E)	(F)		
1	1	129968-12102	MANIFOLD,INTAKE	1							
2	1	129907-12110	GASKET, MANIFOLD	1							
3	1	26106-080552	BOLT, M8X 55 PLATED	5							
4	1	26106-080852	BOLT, M8X 85 PLATED	5							
5	1	119129-77020	GASKET	1							
6	1	121850-77021	GASKET, AIR HEATER	1							
7	1	119005-77051	HEATER, AIR	1							
8	1	119129-77520	BEND	1							
9	1	26106-080402	BOLT, M8X 40 PLATED	2							
10	1	26106-080902	BOLT, M8X 90 PLATED	2							

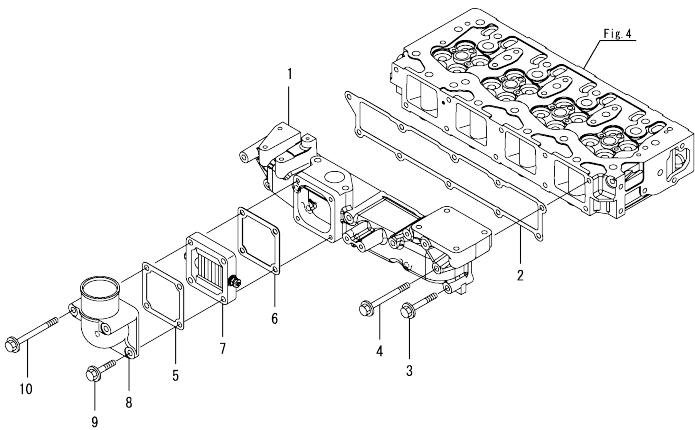
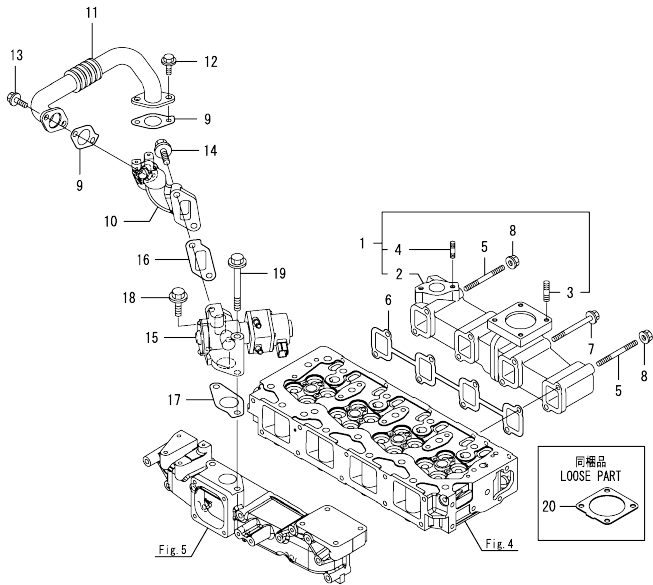


Fig.6. EXHAUST MANIFOLD

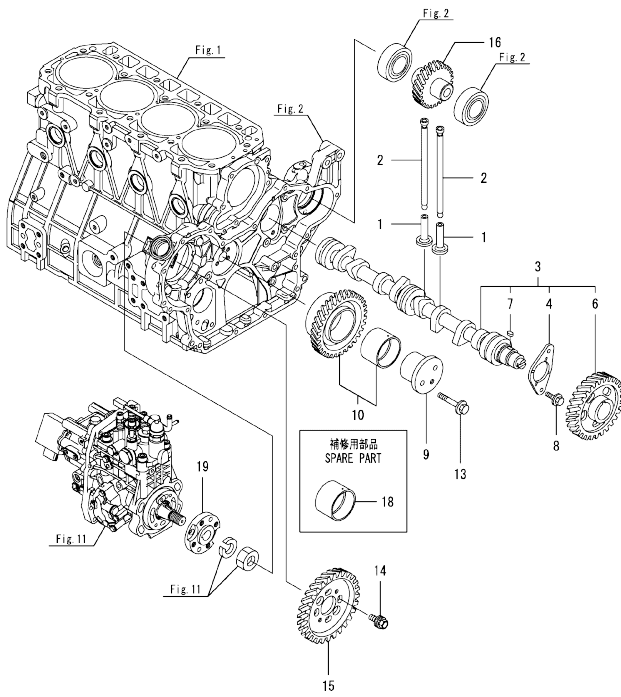


(A)=4TNV98-ZNKTC
(B)=
(C)=

(D)=
(E)=
(F)=

No.	Lev.	Parts No.	Description	Q'ty						I	R
				(A)	(B)	(C)	(D)	(E)	(F)		
1	1	129968-13150	MANIFOLD ASSY, EXH.	1							
2	2	129968-13100	MANIFOLD, EXHAUST	1							
3	2	119131-18320	BOLT, STUD M8X22	4							
4	2	129418-18320	BOLT, STUD M8X20	2							
5	1	129263-13210	BOLT, STUD M8X90	2							
6	1	129900-13251	GASKET, EXH.MANIFOLD	1							
7	1	119802-13680	BOLT, M8X90 10.9T	6							
8	1	26306-080002	NUT, M8	2							
9	1	129927-13810	GASKET	2							
10	1	129973-13840	PIPE	1							
11	1	129968-13850	PIPE ASSY	1							
12	1	26106-080162	BOLT, M8X 16 PLATED	2							
13	1	26106-080162	BOLT, M8X 16 PLATED	2							
14	1	26106-100302	BOLT, M10X 30 PLATED	2							
15	1	129928-13900	VALVE, EGR	1							
16	1	129927-13910	GASKET, EGR	1							
17	1	129927-13920	GASKET, EGR	1							
18	1	26106-100302	BOLT, M10X 30 PLATED	1							
19	1	26106-100952	BOLT, M10X 95 PLATED	1							
20	1	129930-13201	GASKET, SILENCER	1							

Fig.7. CAMSHAFT & DRIVING GEAR



(A)=4TNV98-ZNKTC
(B)=
(C)=

(D)=
(E)=
(F)=

No.	Lev.	Parts No.	Description	Q'ty						I	R
				(A)	(B)	(C)	(D)	(E)	(F)		
1	1	129150-14200	TAPPET	8							
2	1	129907-14400	PUSH-ROD	8							
3	1	129908-14581	CAMSHAFT ASSY	1							
4	2	129150-02450	BEARING, THRUST	1							
6	2	129900-14100	GEAR, CAMSHAFT	1							
7	2	22512-070140	KEY, 7X 14	1							
8	1	26106-080142	BOLT, M8X 14 PLATED	2							
9	1	123900-25060	SHAFT, IDLE GEAR	1							
10	1	129900-25100	GEAR ASSY, IDLE	1							
13	1	26106-080552	BOLT, M8X 55 PLATED	3							
14	1	129953-25300	BOLT	4							
15	1	129907-25900	GEAR, PUMP	1							
16	1	129900-26000	GEAR ASSY, PUMP	1							
18	1	129150-25920	BUSH, IDLE GEAR	1							1
19	1	158563-51150	FLANGE	1							

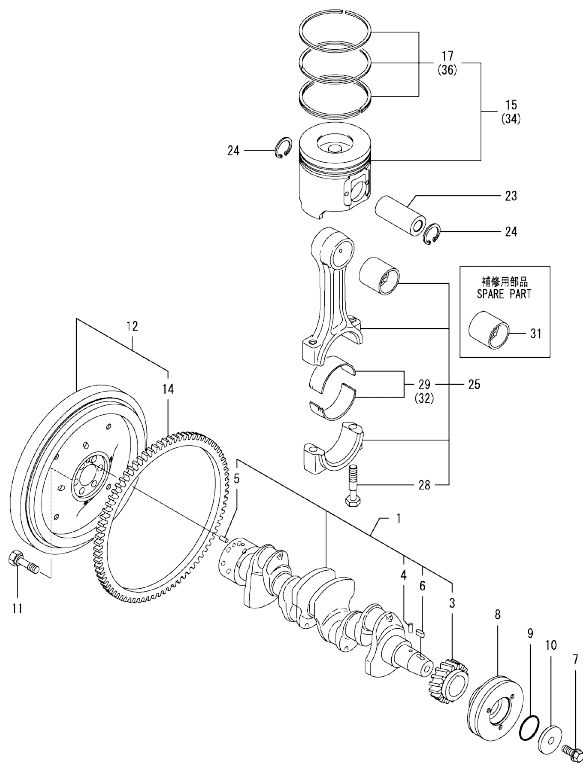
Remarks

(1)Spare parts.

Fig.8. CRANKSHAFT & PISTON

(A)=4TNV98-ZNKTC
(B)=
(C)=

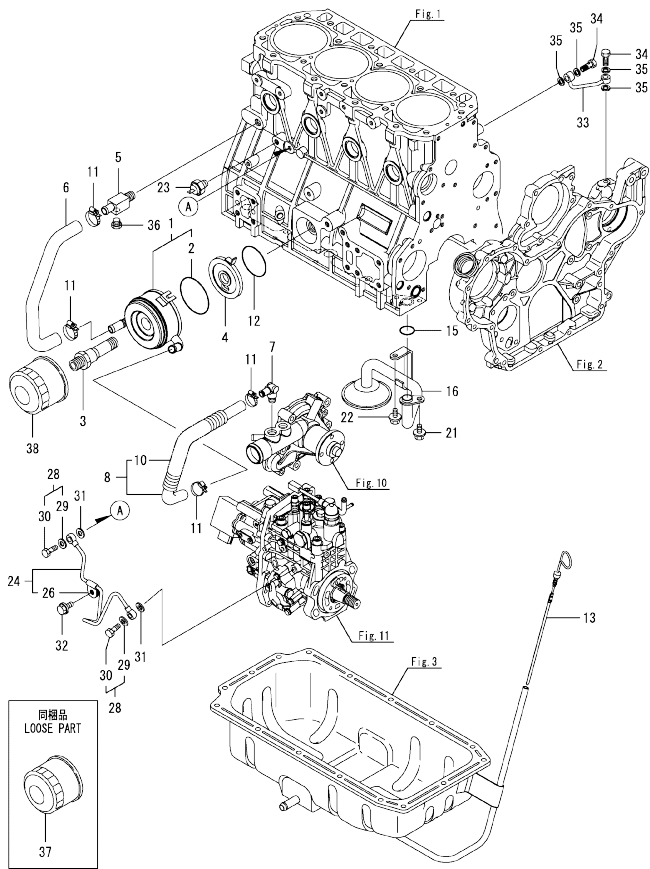
(D)=
(E)=
(F)=



No.	Lev.	Parts No.	Description	Q'ty						I	R
				(A)	(B)	(C)	(D)	(E)	(F)		
1	1	129902-21000	CRANKSHAFT ASSY	1							
3	2	129900-21200	GEAR, CRANKSHAFT	1							
4	2	121850-21290	PIN	1							
5	2	121850-21920	PIN, PARALLEL 10X22	1							
6	2	22512-070140	KEY, 7X 14	1							
7	1	129916-21610	BOLT	1							
8	1	129907-21650	V-PULLEY, CRANK 130	1							
9	1	129960-21930	GASKET, WASHER	1							
10	1	129960-21940	WASHER, V-PULLEY	1							
11	1	121850-21130	BOLT, FLYWHEEL	6							
12	1	129960-21590	FLYWHEEL ASSY	1							
14	2	129900-21600	GEAR, RING	1							
15	1	129927-22080	PISTON ASSY	4							
17	2	129927-22050	RING SET, PISTON	4							
23	1	120130-22301	PIN, PISTON	4							
24	1	22252-000300	RING, 30	8							
25	1	129900-23001	ROD ASSY, CONNECTING	4							
28	2	129900-23200	BOLT, CONNECTING ROD	8							
29	2	129900-23601	BEARING, CRANK PIN	4							
31	1	129900-23911	BEARING, PISTON PIN	4							1
32	1	129900-23611	BEARING ASSY, 0.25US	4							2
34	1	729927-22900	PISTON ASSY, 0.25 OS	4							3
36	2	729927-22950	RING SET, 0.25 OS	4							3

Remarks
(1)Spare parts.
(2)Under-sized(U.S.=0.25) parts.
(3)Over-sized(O.S.=0.25) parts.

Fig.9. LUB. OIL SYSTEM



(A)=4TNV98-ZNKTC
(B)=
(C)=

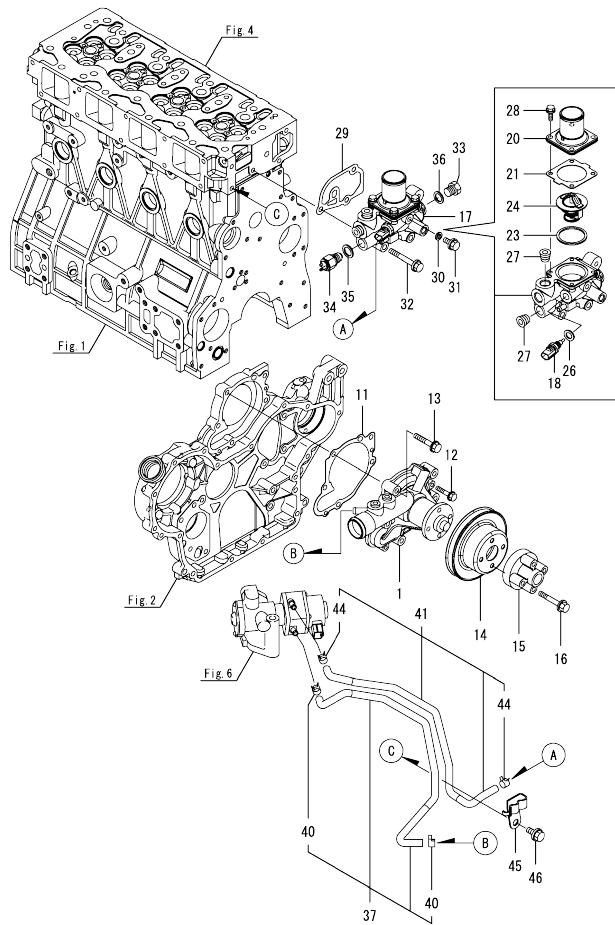
(D)=
(E)=
(F)=

No.	Lev.	Parts No.	Description	Qty						I	R	
				(A)	(B)	(C)	(D)	(E)	(F)			
1	1	129908-33010	COOLER ASSY, OIL	1								
2	2	123912-33050	O-RING	1								
3	1	123912-33100	BOLT, COOLER	1								
4	1	129908-33101	BRACKET, OIL COOLER	1								
5	1	129006-44480	JOINT	1								
6	1	129908-49060	HOSE, WATER	1								
7	1	129466-49300	ELBOW, PT3/8	1								
8	1	123910-49600	HOSE ASSY WATER	1								
10	2	123910-49610	TUBE, CORRUGATED	1								
11	1	23000-025000	CLAMP, 25	4								
12	1	24321-000600	O-RING, 1AG60.0	1								
13	1	129974-34810	DIPSTICK, OIL	1								
15	1	129900-32030	O-RING, P20	1								
16	1	129930-35000	PIPE ASSY, OIL INLET	1								
21	1	26106-080122	BOLT, M8X 12 PLATED	1								
22	1	26106-080122	BOLT, M8X 12 PLATED	1								
23	1	119761-39450	SWITCH, HYDRAULIC	1								
24	1	129927-39060	PIPE ASSY, OIL	1								
26	2	123907-39500	RETAINER, PIPE	1								
28	1	129005-59830	BOLT ASSY, JOINT M8	2								
29	2	22190-080002	WASHER, SEAL 8	2								
30	2	23857-030000	BOLT, JOINT 3	2								
31	1	22190-080002	WASHER, SEAL 8	2								
32	1	26106-080122	BOLT, M8X 12 PLATED	1								
33	1	129930-39050	PIPE, OIL	1								
34	1	105010-39140	BOLT, PIPE JOINT	2								
35	1	22190-080002	WASHER, SEAL 8	4								
36	1	171056-49120	PLUG, DRAIN R1/4	1								
37	1	129150-35153	FILTER ASSY, D80X80L	1								
38	1	129150-35153	FILTER ASSY, D80X80L	1								1

Remarks

(1)Spare parts.

Fig.10. COOLING WATER SYSTEM



(A)=4TNV98-ZNKTC
(B)=
(C)=

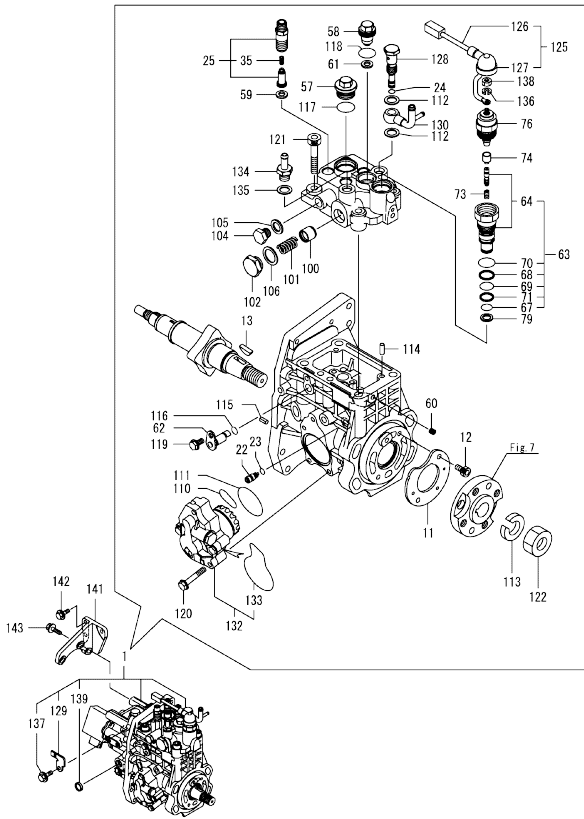
(D)=
(E)=
(F)=

No.	Lev.	Parts No.	Description	Qty						I	R
				(A)	(B)	(C)	(D)	(E)	(F)		
1	1	129927-42000	PUMP ASSY, WATER	1							
11	1	129900-42020	GASKET, WATER PUMP	1							
12	1	26106-060302	BOLT, M6X 30 PLATED	2							
13	1	26106-080552	BOLT, M8X 55 PLATED	5							
14	1	129930-42450	V-PULLEY, C.W.PUMP	1							
15	1	119141-44760	SPACER, FAN	1							
16	1	26106-080552	BOLT, M8X 55 PLATED	4							
17	1	129927-49800	CASE ASSY,THERMOSTAT	1							
18	2	129927-44900	SENSOR, WATER TEMP.	1							
20	2	129916-49530	COVER, THERMOSTAT	1							
21	2	121850-49540	GASKET, THERMOSTAT	1							
23	2	121850-49550	GASKET, THERMOSTAT	1							
24	2	121850-49811	THERMOSTAT, 71C	1							
26	2	22190-120002	WASHER, SEAL 12	1							
27	2	23875-030000	PLUG, R03	2							
28	2	26106-060202	BOLT, M6X 20 PLATED	4							
29	1	129900-49870	GASKET, THERMOSTAT	1							
30	1	23414-080000	GASKET, 8X1.0	1							
31	1	26106-080122	BOLT, M8X 12 PLATED	1							
32	1	26106-080602	BOLT, M8X 60 PLATED	3							
33	1	121450-42450	PLUG, M16	1							
34	1	121250-44901	SWITCH, THERMO 110	1							
35	1	124465-44950	GASKET, 16	1							
36	1	124465-44950	GASKET, 16	1							
37	1	129968-49610	PIPE, WATER	1							
40	2	23080-012000	CLAMP, 12	2							
41	1	129968-49620	PIPE, WATER	1							
44	2	23080-012000	CLAMP, 12	2							
45	1	129968-49850	RETAINER, PIPE	1							
46	1	26106-080142	BOLT, M8X 14 PLATED	1							

Fig.11. FUEL INJECTION PUMP

(A)=4TNV98-ZNKTC
(B)=
(C)=

(D)=
(E)=
(F)=



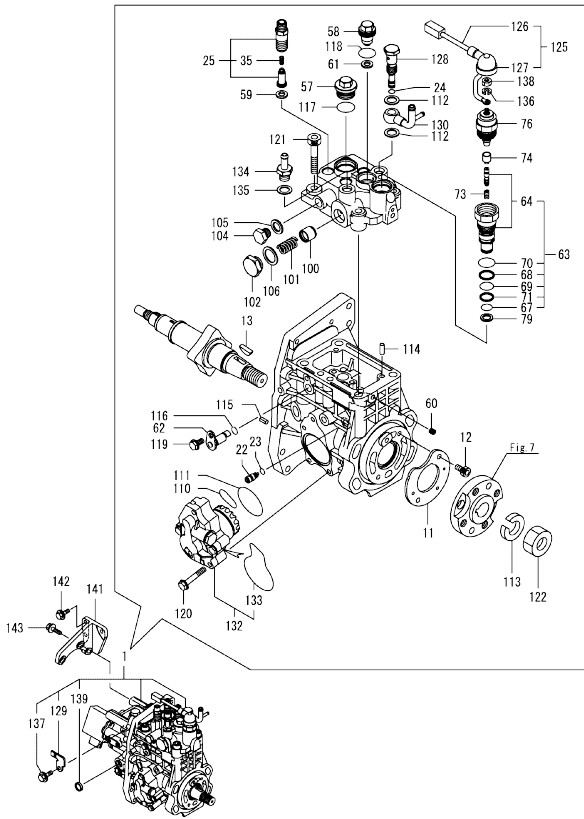
No.	Lev.	Parts No.	Description	Q'ty						I	R
				(A)	(B)	(C)	(D)	(E)	(F)		
1	1	729966-51380	FIE ASSY	1							1
11	2	129928-51900	COVER	1							
12	2	129008-51920	BOLT, SOCKET M6X10	2							
13	2	144626-51090	FEATHER KEY, 5X19	1							
22	2	158600-51270	STOPPER, TAPPET	1							
23	2	158563-51281	O-RING, 4D S6	1							
24	2	158563-51281	O-RING, 4D S6	1							
25	2	129927-51390	VALVE ASSY, DELIVERY	4							
35	3	158563-51330	SPRING, DELIVERY	4							
57	2	158601-51550	PLUG, M22	1							
58	2	129907-51560	PLUG, M16	1							
59	2	158552-51571	GASKET, PLUG	4							
60	2	158557-51570	PLUG, RACK	1							
61	2	129906-51580	GASKET, PLUG	1							
62	2	158552-51580	LIFTER, LINK	1							
63	2	129657-51590	TIMER ASSY	1							
64	3	129657-51600	TIMER ASSY	1							
67	3	158553-51670	O-RING	1							
68	3	119802-51680	RING, BACKUP	1							
69	3	119802-51690	O-RING	1							
70	3	24356-190200	O-RING, 4D19020	1							
71	3	24372-000150	RING, BACK UP T2P15	1							
73	2	119852-51630	SPRING, TIMER	1							
74	2	119852-51640	CAP, TIMER	1							
76	2	119852-51650	VALVE ASSY, SOLENOID	1							
79	2	158553-51680	GASKET, TIMER	1							
100	2	158601-51770	PISTON, ACCUMULATOR	1							
101	2	158552-51781	SPRING, ACCUMULATOR	1							
102	2	158601-51790	PLUG	1							
104	2	158553-51930	PLUG, M12	1							
105	2	22190-120002	WASHER, SEAL 12	1							
106	2	22190-180002	WASHER, SEAL 18	1							
110	2	158552-52311	O-RING	1							
111	2	158552-52400	O-RING, 4E S42	1							
112	2	22190-120002	WASHER, SEAL 12	2							
113	2	22217-180000	WASHER, SPRING 18	1							
114	2	22312-050140	PIN, PARALLEL 5X14	2							
115	2	22351-050010	PIN, SPRING 5.0X10	2							
116	2	24311-000070	O-RING, 1AP7.0	1							
117	2	24356-190200	O-RING, 4D19020	1							
118	2	24356-240210	O-RING, 4D24021	1							
119	2	26106-060102	BOLT, M6X 10 PLATED	1							
120	2	26106-060352	BOLT, M6X 35 PLATED	4							
121	2	26450-100452	BOLT, M10X 45	4							
122	2	26776-180002	NUT, LOCK M18	1							
125	2	129927-51650	HARNES ASSY, WIRE	1							
126	3	129927-51660	HARNES	1							
127	3	129263-77941	CAP, RUBBER	1							
128	2	158601-51650	JOINT, OVER FLOW	1							
129	2	129927-51670	BRACKET	1							
130	2	158552-51670	JOINT, OVER FLOW	1							

Remarks
 (1)Governor(Fig.12) is incorporated in this Fuel Injection Pump(No.1).
 (1)Eco pump
 Make sure to update the engines ECU information when replacing the Eco pump.
 Failing to do so will result in engine malfunction.

Fig.11. FUEL INJECTION PUMP

(A)=4TNV98-ZNKTC
(B)=
(C)=

(D)=
(E)=
(F)=



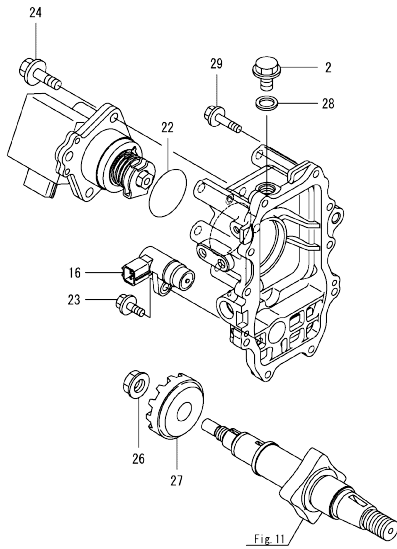
No.	Lev.	Parts No.	Description	Q'ty						I	R
				(A)	(B)	(C)	(D)	(E)	(F)		
132	2	158552-52100	PUMP ASSY, FUEL FEED	1							
133	3	158552-52500	O-RING	1							
134	2	119934-59910	JOINT, PIPE	1							
135	2	22190-120002	WASHER, SEAL 12	1							
136	2	22217-050000	WASHER, SPRING 5	1							
137	2	26106-060122	BOLT, M6X 12 PLATED	1							
138	2	26716-050002	NUT, M5	1							
139	2	27241-160000	PLUG, 16	1							
141	1	129927-51250	RETAINER, PUMP	1							
142	1	26106-080202	BOLT, M8X 20 PLATED	3							
143	1	26106-080302	BOLT, M8X 30 PLATED	3							

Remarks

(1)Governor(Fig.12) is incorporated in this Fuel Injection Pump(No.1).
(1)Eco pump
Make sure to update the engines ECU information when replacing the Eco pump.
Failing to do so will result in engine malfunction.

OCD50-M00250 4TNV98-ZNKTC
 Fig.12. GOVERNOR

OCD50-M00250 Fig.12



(A)=4TNV98-ZNKTC
 (B)=
 (C)=

(D)=
 (E)=
 (F)=

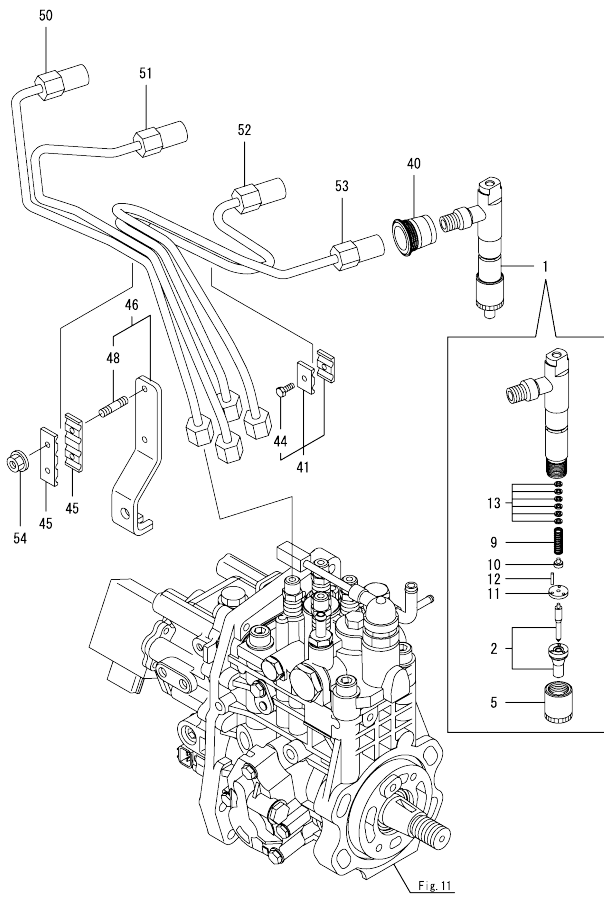
No.	Lev.	Parts No.	Description	Q'ty						I	R
				(A)	(B)	(C)	(D)	(E)	(F)		
2	2	158553-51930	PLUG, M12	1							
16	2	158557-61720	SENSOR	1							
22	2	24341-000480	O-RING, 1AS48.0	1							
23	2	26106-060162	BOLT, M6X 16 PLATED	1							
24	2	26106-080252	BOLT, M8X 25 PLATED	3							
26	2	129008-61301	NUT	1							
27	2	158553-61780	GEAR, SENSOR	1							
28	2	22190-120002	WASHER, SEAL 12	1							
29	2	26106-060252	BOLT, M6X 25 PLATED	10							

Remarks

* This figure(Governor) is incorporated in the Fuel Injection Pump(Fig.11).

N:Old $\frac{100}{100}$ New, Q:Old $\frac{100}{100}$ New, R:Old $\frac{100}{100}$ New, S:Old $\frac{100}{100}$ New, W:Add, Z:Discontinued, F:Interchangeable by set, K:Qty Change
 Copyright (C) 2014 YANMAR GLOBAL CS CO., LTD. All Rights Reserved.

Fig.13. FUEL INJECTION VALVE

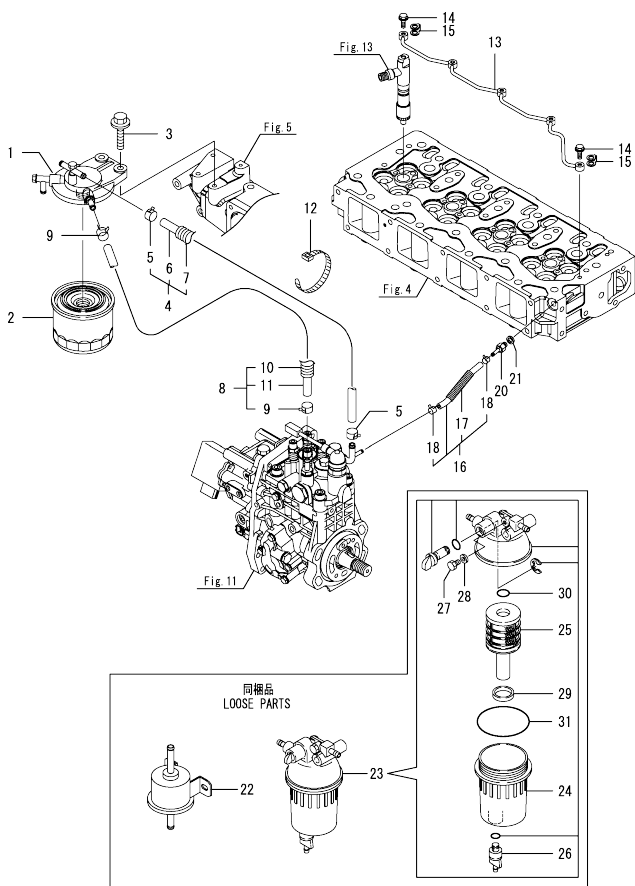


(A)=4TNV98-ZNKTC
(B)=
(C)=

(D)=
(E)=
(F)=

No.	Lev.	Parts No.	Description	Q'ty						I	R
				(A)	(B)	(C)	(D)	(E)	(F)		
1	1	729927-53100	FUEL INJECTOR ASSY	4							
2	2	129927-53000	NOZZLE ASSY, F.I.	4							
5	2	114250-53080	NUT, NOZZLE	4							
9	2	114250-53120	SPRING, NOZZLE	4							
10	2	114250-53130	SEAT, SPRING	4							
11	2	114250-53140	SPACER	4							
12	2	114250-53210	PIN	8							
13	2	119803-53400	SHIM SET	4							
40	1	123907-11601	SEAL, PIPE	4							
41	1	119305-59120	RETAINER, PIPE	1							
44	2	129150-59131	BOLT, M4X14	1							
45	1	123472-59120	RETAINER, PIPE	2							
46	1	129973-59700	SUPPORT ASSY	1							
48	2	26216-060202	STUD, M6X 20	2							
50	1	129973-59810	PIPE ASSY, INJECTION	1							
51	1	129973-59820	PIPE ASSY, INJECTION	1							
52	1	129973-59830	PIPE ASSY, INJECTION	1							
53	1	129973-59840	PIPE ASSY, INJECTION	1							
54	1	26366-060002	NUT, M6	2							

Fig.14. FUEL PIPE

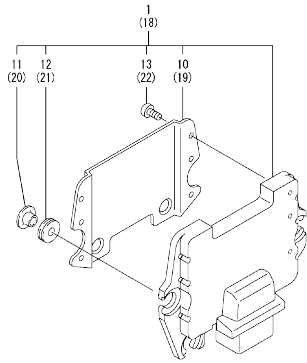


(A)=4TNV98-ZNKTC
(B)=
(C)=

(D)=
(E)=
(F)=

No.	Lev.	Parts No.	Description	Qty						I	R
				(A)	(B)	(C)	(D)	(E)	(F)		
1	1	129004-55612	BRACKET, FILTER	1							
2	1	119802-55801	FILTER, FUEL	1							
3	1	26106-080302	BOLT, M8X 30 PLATED	2							
4	1	129467-59010	HOSE ASSY, FUEL	1							
5	2	124766-59050	CLAMP, HOSE 11.5	2							
6	2	129335-59090	HOSE, FUEL D13X500	1							
7	2	119560-59110	TUBE, CORRUGATED 15	1							
8	1	129950-59211	HOSE ASSY, FUEL	1							
9	2	124766-59050	CLAMP, HOSE 11.5	2							
10	2	129950-59221	TUBE, CORRUGATED 15	1							
11	2	105025-59530	HOSE, FUEL D13X400	1							
12	1	121750-59890	BAND, NYLON	1							
13	1	129907-59140	PIPE ASSY, RETURN	1							
14	1	123907-59540	BOLT, PIPE JOINT M6	5							
15	1	123907-59550	GASKET	5							
16	1	129927-59550	HOSE ASSY RETURN	1							
17	2	129263-49750	TUBE, CORRUGATED	1							
18	2	124722-59050	CLAMP, HOSE 9	2							
20	1	123907-59560	JOINT, HOSE	1							
21	1	22190-080002	WASHER, SEAL 8	1							
22	1	119225-52102	PUMP, FUEL FEED	1							
23	1	129242-55701	SEPARATOR ASSY,WATER	1							
24	2	129242-55720	CUP, SEPARATOR	1							
25	2	129242-55730	ELEMENT, FUEL	1							
26	2	129242-55740	PLUG, DRAIN	1							
27	2	129242-55750	VALVE, AIR VENT	1							
28	2	129242-55760	GASKET, PLUG	1							
29	2	129242-55770	FLOAT	1							
30	2	24311-000160	O-RING, 1AP16.0	1							
31	2	24321-000750	O-RING, 1AG75.0	1							

Fig.15. ELECTRONIC CONTROL UNIT(ECU)



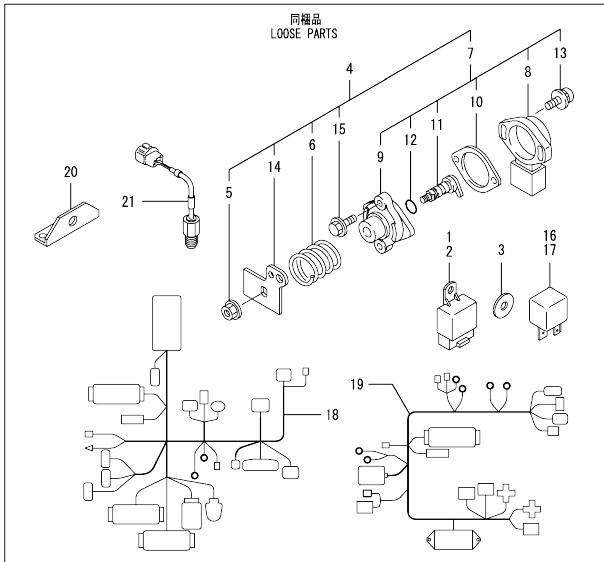
(A)=4TNV98-ZNKTC
(B)=
(C)=

(D)=
(E)=
(F)=

No.	Lev.	Parts No.	Description	Q'ty						I	R
				(A)	(B)	(C)	(D)	(E)	(F)		
1	1	129966-75080	ECU ASSY	1							1
10	2	129927-77600	SHIELD, ECU	1							
11	2	129927-77680	COLLAR, CONTROL	3							
12	2	119578-91351	ABSORBER	3							
13	2	22877-500080	SCREW, 5X 8	6							
18	1	129927-75900	ECU ASSY, SERVICE	1							2
19	2	129927-77600	SHIELD, ECU	1							
20	2	129927-77680	COLLAR, CONTROL	3							
21	2	119578-91351	ABSORBER	3							
22	2	22877-500080	SCREW, 5X 8	6							

Remarks
 (1)Eco ECU
 This part cannot be ordered.
 Replace the part using a Service ECU with the proper engine information installed.
 (2)Service ECU
 If the proper information is not installed, the engine will not operate.
 To install proper information, go to an authorized distributor.

Fig.16. ELECTRIC PARTS



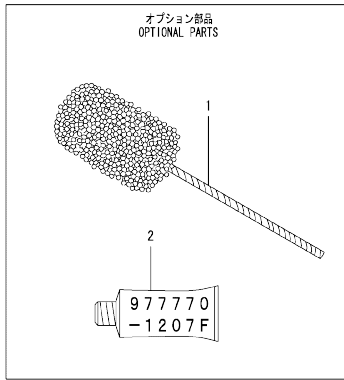
(A)=4TNV98-ZNKTC
(B)=
(C)=

(D)=
(E)=
(F)=

No.	Lev.	Parts No.	Description	Q'ty						I	R
				(A)	(B)	(C)	(D)	(E)	(F)		
1	1	198461-52950	RELAY, CA TYPE C	1							
2	1	198461-52950	RELAY, CA TYPE C	1							
3	1	129927-77690	WASHER, ECU	3							
4	1	129938-77800	SENSOR ASSY, ACCEL	1							
5	2	194990-22130	NUT, M6	1							
6	2	119060-61990	SPRING, RETURN	1							
7	2	129054-77800	SENSOR ASSY, ACCEL	1							
8	3	185100-50070	BODY	1							
9	3	129054-77811	SUPPORT, SENSOR	1							
10	3	129054-77820	GASKET	1							
11	3	129054-77830	SHAFT ASSY	1							
12	3	24311-000070	O-RING, 1AP7.0	1							
13	3	26023-040202	SCREW, M4X20	2							
14	2	129938-77810	LEVER, SENSOR	1							
15	2	26106-060122	BOLT, M6X 12 PLATED	2							
16	1	129927-77920	RELAY, ISO 70A	1							
17	1	129927-77920	RELAY, ISO 70A	1							
18	1	129927-91040	HARNESS, WIRE	1							
19	1	129927-91050	HARNESS, WIRE	1							
20	1	129974-91120	BRACKET	1							
21	1	129974-91500	SENSOR	1							

OCD50-M00250 4TNV98-ZNKTC
 Fig.17. ACCESSORY

OCD50-M00250 Fig.17



No.	Lev.	Parts No.	Description	Q'ty						I	R
				(A)	(B)	(C)	(D)	(E)	(F)		
1	1	129400-92450	HONE, FLEX	1						1	
2	1	977770-1207F	GASKET, LIQUID	1						1	

(A)=4TNV98-ZNKTC
 (B)=
 (C)=

(D)=
 (E)=
 (F)=

Remarks
 (1)Optional parts.

Parts No. Index

Parts No.	Fig. No.	Ref. No.
105010-39140	9	34
105025-59530	14	11
114250-53080	13	5
114250-53120	13	9
114250-53130	13	10
114250-53140	13	11
114250-53210	13	12
119005-77051	5	7
119060-61990	16	6
119129-77020	5	5
119129-77520	5	8
119131-18320	6	3
119141-44760	10	15
119225-52102	14	22
119305-59120	13	41
119540-39950	3	2
119540-39960	3	4
119560-59110	14	7
119578-91351	15	12
		21
119593-11301	4	27
119620-11180	4	12
119625-11880	4	23
119640-61400	4	58
119656-39931	3	3
119761-39450	9	23
119802-11870	4	22
119802-13680	6	7
119802-51680	11	68
119802-51690	11	69
119802-55801	14	2
119803-11340	4	13
119803-53400	13	13
119852-51630	11	73
119852-51640	11	74
119852-51650	11	76
119934-59910	11	134
120130-22301	8	23
121023-26071	2	30
121250-44901	10	34
121450-42450	10	33
121750-59890	14	12
121850-21130	8	11
121850-21290	8	4
121850-21920	8	5
121850-49540	10	21
121850-49550	10	23
121850-49811	10	24
121850-77021	5	6
123472-59120	13	45

Parts No.	Fig. No.	Ref. No.
123900-25060	7	9
123907-03100	4	52
123907-03110	4	53
123907-03120	4	54
123907-03140	4	55
123907-11280	4	32
123907-11550	4	1
123907-11601	13	40
123907-11820	4	19
123907-11830	4	18
123907-39500	9	26
123907-59540	14	14
123907-59550	14	15
123907-59560	14	20
123910-49600	9	8
123910-49610	9	10
123912-33050	9	2
123912-33100	9	3
124160-01751	2	24
	4	47
124160-11340	4	14
124160-11360	4	63
124465-44950	10	35
		36
124722-59050	14	18
124766-59050	14	5
		9
124976-34850	1	29
129004-55612	14	1
129005-59830	9	28
129006-44480	9	5
129008-51920	11	12
129008-61301	12	26
129054-77800	16	7
129054-77811	16	9
129054-77820	16	10
129054-77830	16	11
129100-01580	2	1
	3	8
		13
129150-02450	7	4
129150-11230	4	35
		39
129150-11750	4	17
		36
		40
129150-14200	7	1
129150-25920	7	18
129150-35153	9	37
		38

Parts No.	Fig. No.	Ref. No.
129150-59131	13	44
129242-55701	14	23
129242-55720	14	24
129242-55730	14	25
129242-55740	14	26
129242-55750	14	27
129242-55760	14	28
129242-55770	14	29
129263-13210	6	5
129263-49750	14	17
129263-77941	11	127
129335-59090	14	6
129400-92450	17	1
129418-18320	6	4
129466-49300	9	7
129467-59010	14	4
129486-01670	3	12
129657-51590	11	63
129657-51600	11	64
129900-01200	1	27
129900-01250	1	4
129900-01850	2	36
129900-01870	2	37
129900-02020	1	6
129900-02341	1	33
129900-02410	1	9
129900-02931	1	24
129900-02941	1	36
129900-13251	6	6
129900-14100	7	6
129900-14140	2	41
129900-21200	8	3
129900-21600	8	14
129900-23001	8	25
129900-23200	8	28
129900-23601	8	29
129900-23611	8	32
129900-23911	8	31
129900-25100	7	10
129900-26000	7	16
129900-26250	2	42
129900-32001	2	4
129900-32030	2	16
	9	15
129900-32040	2	17
129900-42020	10	11
129900-49870	10	29
129902-21000	8	1
129906-51580	11	61
129907-01331	1	28

Parts No.	Fig. No.	Ref. No.
129907-03011	4	49
129907-03061	4	50
129907-03070	4	51
129907-11100	4	9
129907-11110	4	10
129907-11120	4	11
129907-11250	4	29
129907-11260	4	30
129907-11270	4	31
129907-11341	4	28
129907-11510	4	15
129907-11650	4	33
129907-11660	4	37
129907-11800	4	70
129907-11910	4	24
129907-11920	4	41
129907-11950	4	25
129907-12110	5	2
129907-14400	7	2
129907-21650	8	8
129907-25900	7	15
129907-51560	11	58
129907-59140	14	13
129908-14581	7	3
129908-33010	9	1
129908-33101	9	4
129908-49060	9	6
129916-01790	3	11
129916-01800	2	35
129916-21610	8	7
129916-49530	10	20
129927-11320	4	48
129927-11700	4	2
129927-13810	6	9
129927-13910	6	16
129927-13920	6	17
129927-22050	8	17
129927-22080	8	15
129927-39060	9	24
129927-42000	10	1
129927-42140	2	17 A
129927-44900	10	18
129927-49800	10	17
129927-51250	11	141
129927-51390	11	25
129927-51650	11	125
129927-51660	11	126
129927-51670	11	129
129927-53000	13	2
129927-59550	14	16

Parts No. Index

Parts No.	Fig. No.	Ref. No.
129927-75900	15	18
129927-77600	15	10
		19
129927-77680	15	11
		20
129927-77690	16	3
129927-77920	16	16
		17
129927-91040	16	18
129927-91050	16	19
129928-13900	6	15
129928-51900	11	11
129930-13201	6	20
129930-35000	9	16
129930-39050	9	33
129930-42450	10	14
129933-11310	4	57
129938-77800	16	4
129938-77810	16	14
129950-59211	14	8
129950-59221	14	10
129951-01740	2	26
129953-25300	7	14
129960-21590	8	12
129960-21930	8	9
129960-21940	8	10
129960-77410	3	14
129962-01500	2	3
129966-01650	3	9
129966-75080	15	1
129968-12102	5	1
129968-13100	6	2
129968-13150	6	1
129968-13850	6	11
129968-49610	10	37
129968-49620	10	41
129968-49850	10	45
129973-07901	4	66
129973-07910	4	67
129973-13840	6	10
129973-59700	13	46
129973-59810	13	50
129973-59820	13	51
129973-59830	13	52
129973-59840	13	53
129974-01740	3	1
129974-34810	9	13
129974-91120	16	20
129974-91500	16	21
144626-51090	11	13

Parts No.	Fig. No.	Ref. No.
158552-51571	11	59
158552-51580	11	62
158552-51670	11	130
158552-51781	11	101
158552-52100	11	132
158552-52311	11	110
158552-52400	11	111
158552-52500	11	133
158553-51670	11	67
158553-51680	11	79
158553-51930	11	104
	12	2
158553-61780	12	27
158557-51570	11	60
158557-61720	12	16
158563-51150	7	19
158563-51281	11	23
		24
158563-51330	11	35
158600-51270	11	22
158601-51550	11	57
158601-51650	11	128
158601-51770	11	100
158601-51790	11	102
171051-01921	1	5
171056-49120	9	36
175339-79700	4	59
185100-50070	16	8
194990-22130	16	5
198461-52950	16	1
		2
22190-080002	9	29
		31
		35
	14	21
22190-120002	10	26
	11	105
		112
		135
	12	28
22190-180002	11	106
22217-050000	11	136
22217-180000	11	113
22252-000300	8	24
22312-050140	11	114
22351-050010	11	115
22351-060012	1	11
22512-070140	7	7
	8	6
22857-500100	4	60

Parts No.	Fig. No.	Ref. No.
22857-500100	4	61
22877-500080	15	13
		22
23000-025000	9	11
23001-022000	3	5
		6
23080-012000	10	40
		44
23414-080000	10	30
23857-030000	9	30
23875-030000	10	27
23876-020000	4	6
23876-030000	1	12
		13
		14
	4	7
24311-000070	2	18
	11	116
	16	12
24311-000120	4	26
		64
24311-000160	14	30
24311-000320	2	25
	4	65
24321-000600	9	12
24321-000750	14	31
24321-000850	2	31
24341-000480	12	22
24351-030750	2	19
24356-190200	11	70
		117
24356-240210	11	118
24372-000150	11	71
26023-040202	16	13
26106-060102	11	119
26106-060122	4	62
	11	137
	16	15
26106-060162	12	23
26106-060202	10	28
26106-060252	12	29
26106-060302	10	12
26106-060352	11	120
26106-080122	3	7
	9	21
		22
		32
	10	31
26106-080142	7	8
	10	46

Parts No.	Fig. No.	Ref. No.
26106-080162	2	20
		38
	6	12
		13
26106-080202	2	21
		27
	4	68
		69
	11	142
26106-080252	12	24
26106-080302	11	143
	14	3
26106-080402	2	39
	4	43
	5	9
26106-080452	2	22
		28
26106-080552	5	3
	7	13
	10	13
		16
26106-080602	4	44
		45
	10	32
26106-080702	2	40
26106-080752	2	29
26106-080852	5	4
26106-080902	5	10
26106-100202	2	32
26106-100302	6	14
		18
26106-100952	6	19
26206-100202	3	15
26216-060202	13	48
26216-100302	2	15
26226-080222	4	42
26306-080002	4	46
	6	8
26306-100002	2	23
26366-060002	13	54
26450-100452	11	121
26716-050002	11	138
26776-180002	11	122
27241-160000	11	139
27241-300000	1	10
27241-400000	4	8
27310-070001	4	20
729900-02801	1	30
729907-01559	2	33
729927-01560	1	1

Parts No. Index

Parts No.	Fig. No.	Ref. No.
729927-22900	8	34
729927-22950	8	36
729927-53100	13	1
729966-51380	11	1
977770-1207F	17	2

Parts No.	Fig. No.	Ref. No.
-----------	----------	----------

Parts No.	Fig. No.	Ref. No.
-----------	----------	----------

Parts No.	Fig. No.	Ref. No.
-----------	----------	----------