

0CW10-M27001EN

# P R E F A C E

This parts catalog is the 2nd edition of 4TNV98-ZWDB8, 4TNV98-ZWDB8F for Doosan Infracore.

Published : February, 2014

## Contents

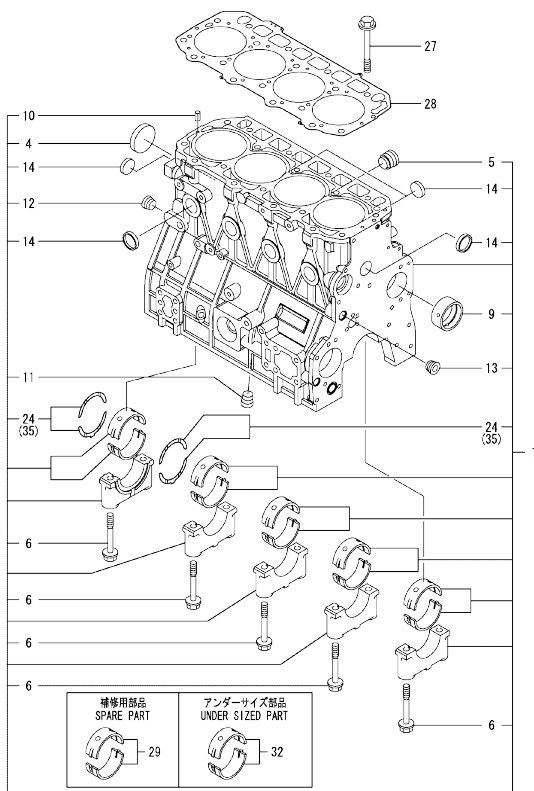
0CW10-M27001

| Fig. No.                   | Fig. Name                     | Fig. No. | Fig. Name |
|----------------------------|-------------------------------|----------|-----------|
| 4TNV98-ZWDB8,4TNV98-ZWDB8F |                               |          |           |
| 1.                         | CYLINDER BLOCK                |          |           |
| 2.                         | GEAR HOUSING                  |          |           |
| 3.                         | FLYWHEEL HOUSING & OIL SUMP   |          |           |
| 4.                         | CYLINDER HEAD & BONNET        |          |           |
| 5.                         | SUCTION MANIFOLD              |          |           |
| 6.                         | EXHAUST MANIFOLD & SILENCER   |          |           |
| 7.                         | CAMSHAFT & DRIVING GEAR       |          |           |
| 8.                         | CRANKSHAFT & PISTON           |          |           |
| 9.                         | LUB. OIL SYSTEM               |          |           |
| 10.                        | COOLING WATER SYSTEM          |          |           |
| 11.                        | FUEL INJECTION PUMP           |          |           |
| 12.                        | GOVERNOR                      |          |           |
| 13.                        | FUEL INJECTION VALVE          |          |           |
| 14.                        | FUEL LINE                     |          |           |
| 15.                        | STARTING MOTOR                |          |           |
| 16.                        | GENERATOR                     |          |           |
| 17.                        | ELECTRONIC CONTROL UNIT (ECU) |          |           |
| 18.                        | GASKET SET                    |          |           |

Fig.1. CYLINDER BLOCK

(A)=4TNV98-ZWDB8  
 (B)=4TNV98-ZWDB8F  
 (C)=

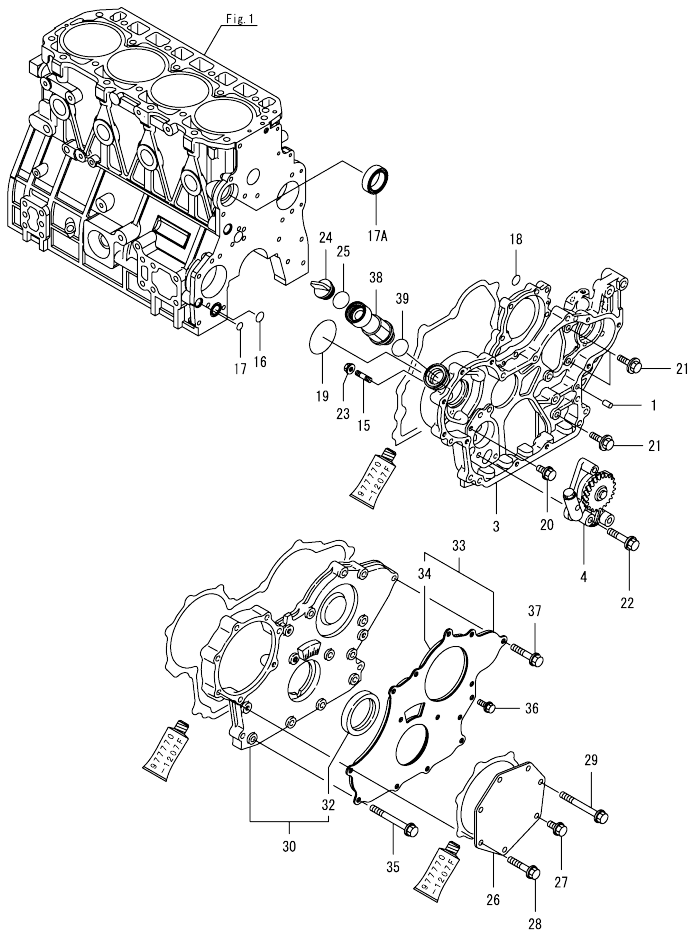
(D)=  
 (E)=  
 (F)=



| No. | Lev. | Parts No.    | Description          | Q'ty |     |     |     |     |     |   |
|-----|------|--------------|----------------------|------|-----|-----|-----|-----|-----|---|
|     |      |              |                      | (A)  | (B) | (C) | (D) | (E) | (F) |   |
| 1   | 1    | 729927-01560 | BLOCK ASSY, CYLINDER | 1    | 1   |     |     |     |     |   |
| 4   | 2    | 129900-01250 | PLUG, DISH TYPE 55   | 1    | 1   |     |     |     |     |   |
| 5   | 2    | 171051-01921 | PLUG, NPTF1          | 1    | 1   |     |     |     |     |   |
| 6   | 2    | 129900-02020 | BOLT, METAL CAP      | 10   | 10  |     |     |     |     |   |
| 9   | 2    | 129900-02410 | BUSH, CAMSHAFT       | 1    | 1   |     |     |     |     |   |
| 10  | 2    | 22351-060012 | PIN, SPRING 6.0X12   | 2    | 2   |     |     |     |     |   |
| 11  | 2    | 23876-030000 | PLUG, R03            | 1    | 1   |     |     |     |     |   |
| 12  | 2    | 23876-030000 | PLUG, R03            | 1    | 1   |     |     |     |     |   |
| 13  | 2    | 23876-030000 | PLUG, R03            | 1    | 1   |     |     |     |     |   |
| 14  | 2    | 27241-300000 | PLUG 30              | 8    | 8   |     |     |     |     |   |
| 24  | 2    | 129900-02931 | BEARING ASSY, THRUST | 2    | 2   |     |     |     |     |   |
| 27  | 1    | 129900-01200 | BOLT, CYLINDER HEAD  | 18   | 18  |     |     |     |     |   |
| 28  | 1    | 129907-01331 | GASKET, HEAD         | 1    | 1   |     |     |     |     |   |
| 29  | 1    | 729900-02801 | BEARING, MAIN        | 5    | 5   |     |     |     |     | 1 |
| 32  | 1    | 129900-02341 | BEARING ASSY, MAIN   | 5    | 5   |     |     |     |     | 2 |
| 35  | 1    | 129900-02941 | BEARING, THRUST 0.25 | 2    | 2   |     |     |     |     | 3 |

Remarks  
 (1) Spare parts.  
 (2) Under-sized (U.S.=0.25) parts.  
 (3) Over-sized (O.S.=0.25) parts.

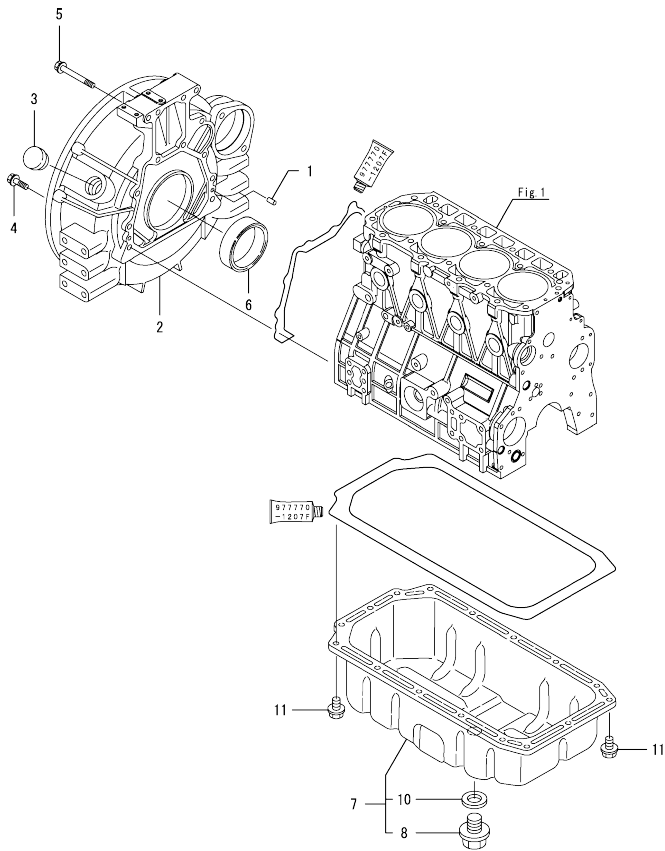
Fig.2. GEAR HOUSING



| No.  | Lev. | Parts No.    | Description          | Qty |     |     |     |     |     | I | R |
|------|------|--------------|----------------------|-----|-----|-----|-----|-----|-----|---|---|
|      |      |              |                      | (A) | (B) | (C) | (D) | (E) | (F) |   |   |
| 1    | 1    | 129100-01580 | PIN, PARALLEL 8X16   | 4   | 4   |     |     |     |     |   |   |
| 3    | 1    | 129944-01500 | CASE, GEAR           | 1   | 1   |     |     |     |     |   |   |
| 4    | 1    | 129900-32001 | PUMP ASSY, OIL       | 1   | 1   |     |     |     |     |   |   |
| 15   | 1    | 26216-100302 | STUD, M10X 30        | 4   | 4   |     |     |     |     |   |   |
| 16   | 1    | 129900-32030 | O-RING, P20          | 1   | 1   |     |     |     |     |   |   |
| 17   | 1    | 129900-32040 | O-RING, P14          | 1   | 1   |     |     |     |     |   |   |
| 17A  | 1    | 129927-42140 | GASKET, PUMP OUTLET  | 1   | 1   |     |     |     |     |   | W |
|      |      | (A=ET8931)   |                      |     |     |     |     |     |     |   |   |
|      |      | (B=2014.09)  |                      |     |     |     |     |     |     |   |   |
| 18   | 1    | 24311-000070 | O-RING, 1AP7.0       | 1   | 1   |     |     |     |     |   |   |
| 19   | 1    | 24351-030750 | O-RING, 1A3075       | 1   | 1   |     |     |     |     |   |   |
| 20   | 1    | 26106-080162 | BOLT, M8X 16 PLATED  | 1   | 1   |     |     |     |     |   |   |
| 21   | 1    | 26106-080202 | BOLT, M8X 20 PLATED  | 3   | 3   |     |     |     |     |   |   |
| 22   | 1    | 26106-080452 | BOLT, M8X 45 PLATED  | 3   | 3   |     |     |     |     |   |   |
| 23   | 1    | 26306-100002 | NUT, M10             | 4   | 4   |     |     |     |     |   |   |
| 24   | 1    | 124160-01751 | CAP, FILLER          | 1   | 1   |     |     |     |     |   |   |
| 25   | 1    | 24311-000320 | O-RING, 1AP32.0      | 1   | 1   |     |     |     |     |   |   |
| 26   | 1    | 129951-01740 | COVER                | 1   | 1   |     |     |     |     |   |   |
| 27   | 1    | 26106-080202 | BOLT, M8X 20 PLATED  | 1   | 1   |     |     |     |     |   |   |
| 28   | 1    | 26106-080452 | BOLT, M8X 45 PLATED  | 5   | 5   |     |     |     |     |   |   |
| 29   | 1    | 26106-080752 | BOLT, M8X 75 PLATED  | 1   | 1   |     |     |     |     |   |   |
| 30   | 1    | 729907-01559 | COVER ASSY,GEAR CASE | 1   | 1   |     |     |     |     |   |   |
| 32   | 2    | 129916-01800 | SEAL, OIL            | 1   | 1   |     |     |     |     |   |   |
| 33   | 1    | 129900-01850 | COVER ASSY,GEAR CASE | 1   | 1   |     |     |     |     |   |   |
| 34   | 2    | 129900-01870 | SPONGE, GEAR CASE    | 1   | 1   |     |     |     |     |   |   |
| 35   | 1    | 129001-91810 | BOLT, M8X70          | 6   |     |     |     |     |     |   |   |
| 35-1 | 1    | 26106-080702 | BOLT, M8X 70 PLATED  | 6   | 6   |     |     |     |     |   | R |
|      |      | (A=2008.09)  |                      |     |     |     |     |     |     |   |   |
| 36   | 1    | 26106-080162 | BOLT, M8X 16 PLATED  | 3   | 3   |     |     |     |     |   |   |
| 37   | 1    | 26106-080402 | BOLT, M8X 40 PLATED  | 5   | 5   |     |     |     |     |   |   |
| 38   | 1    | 171031-11741 | PIPE                 | 1   | 1   |     |     |     |     |   |   |
| 39   | 1    | 24311-000320 | O-RING, 1AP32.0      | 1   | 1   |     |     |     |     |   |   |

N:Old  $\frac{100}{100}$  New, Q:Old  $\frac{100}{100}$  New, R:Old  $\frac{100}{100}$  New, S:Old  $\frac{100}{100}$  New, W:Add, Z:Discontinued, F:Interchangeable by set, K:Qty Change  
 Copyright (C) 2014 YANMAR GLOBAL CS CO., LTD. All Rights Reserved.

Fig.3. FLYWHEEL HOUSING & OIL SUMP



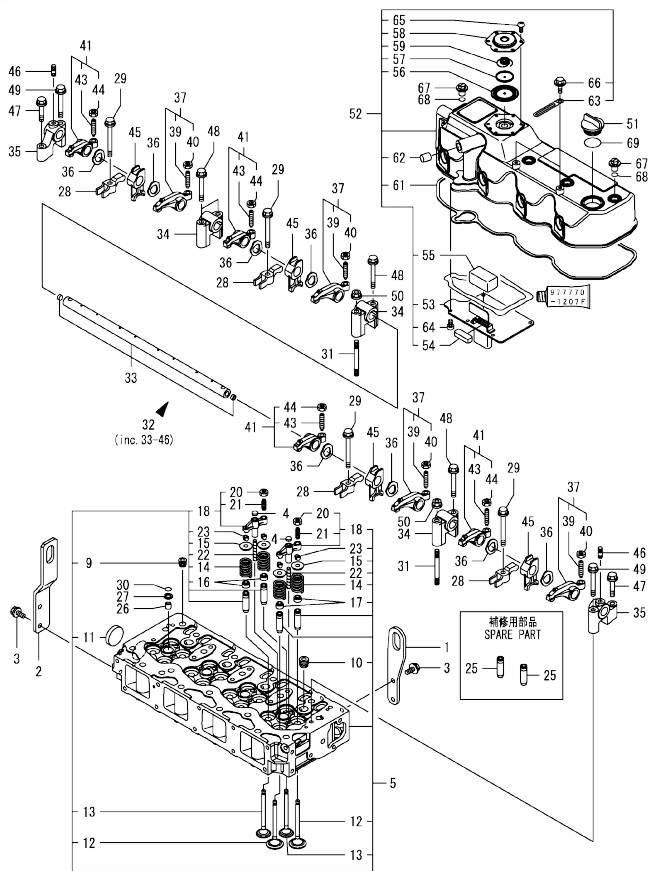
(A)=4TNV98-ZWDB8  
(B)=4TNV98-ZWDB8F  
(C)=

(D)=  
(E)=  
(F)=

| No. | Lev. | Parts No.    | Description          | Q'ty |     |     |     |     |     |
|-----|------|--------------|----------------------|------|-----|-----|-----|-----|-----|
|     |      |              |                      | (A)  | (B) | (C) | (D) | (E) | (F) |
| 1   | 1    | 129100-01580 | PIN, PARALLEL 8X16   | 2    | 2   |     |     |     |     |
| 2   | 1    | 129981-01600 | HOUSING, FLYWHEEL    | 1    | 1   |     |     |     |     |
| 3   | 1    | 119620-01750 | CAP                  | 1    | 1   |     |     |     |     |
| 4   | 1    | 26206-100352 | BOLT, M10X 35 PLATED | 9    | 9   |     |     |     |     |
| 5   | 1    | 26206-100702 | BOLT, M10X 70 PLATED | 4    | 4   |     |     |     |     |
| 6   | 1    | 129916-01790 | SEAL, D115/95XT11    | 1    | 1   |     |     |     |     |
| 7   | 1    | 129916-01710 | OIL PAN ASSY         | 1    | 1   |     |     |     |     |
| 8   | 2    | 119640-01640 | PLUG, DRAIN M22      | 1    | 1   |     |     |     |     |
| 10  | 2    | 22190-220002 | WASHER, SEAL 22      | 1    | 1   |     |     |     |     |
| 11  | 1    | 26106-080122 | BOLT, M8X 12 PLATED  | 16   | 16  |     |     |     |     |

OCW10-M27001 4TNV98-ZWDB8,4TNV98-ZWDB8F  
 Fig.4. CYLINDER HEAD & BONNET

OCW10-M27001 Fig.4



(A)=4TNV98-ZWDB8  
 (B)=4TNV98-ZWDB8F  
 (C)=

(D)=  
 (E)=  
 (F)=

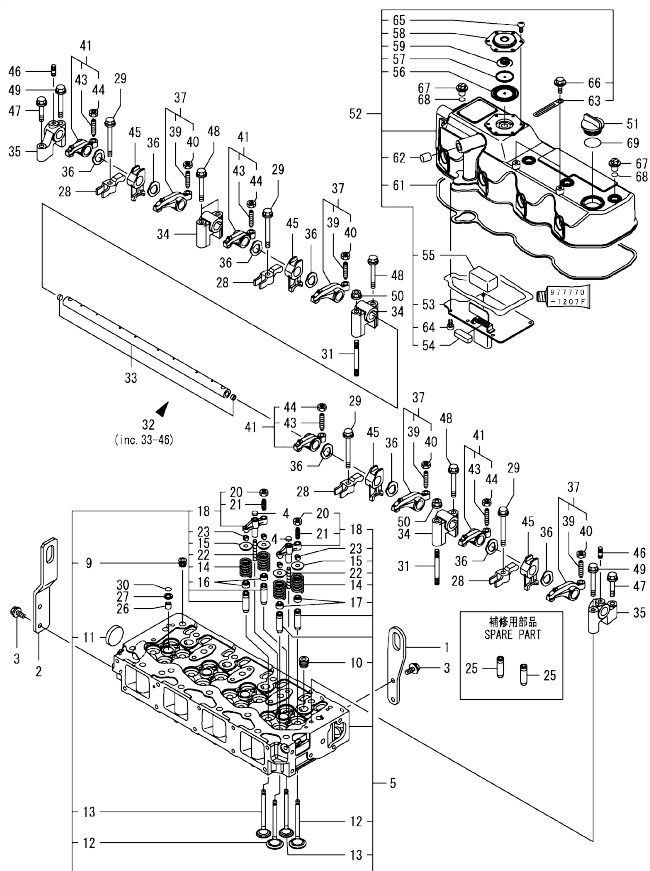
| No. | Lev. | Parts No.    | Description         | Q'ty |     |     |     |     |     | I | R |
|-----|------|--------------|---------------------|------|-----|-----|-----|-----|-----|---|---|
|     |      |              |                     | (A)  | (B) | (C) | (D) | (E) | (F) |   |   |
| 1   | 1    | 129907-07900 | LIFTER, ENGINE      | 1    | 1   |     |     |     |     |   |   |
| 2   | 1    | 129939-07920 | LIFTER              | 1    | 1   |     |     |     |     |   |   |
| 3   | 1    | 26106-080162 | BOLT, M8X 16 PLATED | 4    | 4   |     |     |     |     |   |   |
| 4   | 1    | 123907-11550 | SEAT, VALVE BRIDGE  | 8    | 8   |     |     |     |     |   |   |
| 5   | 1    | 129927-11700 | HEAD ASSY, CYLINDER | 1    | 1   |     |     |     |     |   |   |
| 9   | 2    | 23876-020000 | PLUG, R02           | 1    | 1   |     |     |     |     |   |   |
| 10  | 2    | 23876-030000 | PLUG, R03           | 4    | 4   |     |     |     |     |   |   |
| 11  | 2    | 27241-400000 | PLUG, 40            | 1    | 1   |     |     |     |     |   |   |
| 12  | 2    | 129907-11100 | VALVE, SUCTION      | 8    | 8   |     |     |     |     |   |   |
| 13  | 2    | 129907-11110 | VALVE, EXHAUST      | 8    | 8   |     |     |     |     |   |   |
| 14  | 2    | 129907-11120 | SPRING, VALVE       | 16   | 16  |     |     |     |     |   |   |
| 15  | 2    | 119620-11180 | RETAINER, SPRING    | 16   | 16  |     |     |     |     |   |   |
| 16  | 2    | 119803-11340 | SEAL, VALVE STEM    | 8    | 8   |     |     |     |     |   |   |
| 17  | 2    | 124160-11340 | SEAL, VALVE STEM    | 8    | 8   |     |     |     |     |   |   |
| 18  | 2    | 129907-11510 | BRIDGE ASSY, VALVE  | 8    | 8   |     |     |     |     |   |   |
| 20  | 3    | 129150-11750 | NUT, M8             | 8    | 8   |     |     |     |     |   |   |
| 21  | 3    | 123907-11830 | ADJUSTER            | 8    | 8   |     |     |     |     |   |   |
| 22  | 2    | 123907-11820 | GUIDE, BRIDGE       | 8    | 8   |     |     |     |     |   |   |
| 23  | 2    | 27310-070001 | COTTER, 7           | 16   | 16  |     |     |     |     |   |   |
| 25  | 1    | 129907-11800 | GUIDE, VALVE        | 16   | 16  |     |     |     |     |   | 1 |
| 26  | 1    | 119802-11870 | PROTECTOR, NOZZLE   | 4    | 4   |     |     |     |     |   |   |
| 27  | 1    | 119625-11880 | SEAT, NOZZLE        | 4    | 4   |     |     |     |     |   |   |
| 28  | 1    | 129907-11910 | RETAINER, NOZZLE    | 4    | 4   |     |     |     |     |   |   |
| 29  | 1    | 129907-11950 | BOLT, M8X75         | 4    | 4   |     |     |     |     |   |   |
| 30  | 1    | 24311-000120 | O-RING, 1AP12.0     | 4    | 4   |     |     |     |     |   |   |
| 31  | 1    | 119593-11301 | BOLT, STUD M8X80    | 2    | 2   |     |     |     |     |   |   |
| 32  | 1    | 129907-11341 | SHAFT ASSY, ROCKER  | 1    | 1   |     |     |     |     |   |   |
| 33  | 2    | 129907-11250 | SHAFT, ROCKER ARM   | 1    | 1   |     |     |     |     |   |   |
| 34  | 2    | 129907-11260 | SUPPORT, ROCKER ARM | 3    | 3   |     |     |     |     |   |   |
| 35  | 2    | 129907-11270 | SUPPORT, ROCKER ARM | 2    | 2   |     |     |     |     |   |   |
| 36  | 2    | 123907-11280 | WASHER              | 8    | 8   |     |     |     |     |   |   |
| 37  | 2    | 129907-11650 | ARM ASSY, ROCKER    | 4    | 4   |     |     |     |     |   |   |
| 39  | 3    | 129150-11230 | SCREW, VALVE ADJUST | 4    | 4   |     |     |     |     |   |   |
| 40  | 3    | 129150-11750 | NUT, M8             | 4    | 4   |     |     |     |     |   |   |
| 41  | 2    | 129907-11660 | ARM ASSY, ROCKER    | 4    | 4   |     |     |     |     |   |   |
| 43  | 3    | 129150-11230 | SCREW, VALVE ADJUST | 4    | 4   |     |     |     |     |   |   |
| 44  | 3    | 129150-11750 | NUT, M8             | 4    | 4   |     |     |     |     |   |   |
| 45  | 2    | 129907-11920 | RETAINER, NOZZLE    | 4    | 4   |     |     |     |     |   |   |
| 46  | 2    | 26226-080222 | STUD, M8X 22        | 2    | 2   |     |     |     |     |   |   |
| 47  | 1    | 26106-080402 | BOLT, M8X 40 PLATED | 2    | 2   |     |     |     |     |   |   |
| 48  | 1    | 26106-080602 | BOLT, M8X 60 PLATED | 4    | 4   |     |     |     |     |   |   |
| 49  | 1    | 26106-080602 | BOLT, M8X 60 PLATED | 2    | 2   |     |     |     |     |   |   |
| 50  | 1    | 26306-080002 | NUT, M8             | 2    | 2   |     |     |     |     |   |   |
| 51  | 1    | 124160-01751 | CAP, FILLER         | 1    | 1   |     |     |     |     |   |   |
| 52  | 1    | 129927-11320 | BONNET ASSY, HEAD   | 1    | 1   |     |     |     |     |   |   |
| 53  | 2    | 129907-03011 | PLATE, BAFFLE       | 1    | 1   |     |     |     |     |   |   |
| 54  | 2    | 129907-03061 | BAFFLE, BREATHER    | 1    | 1   |     |     |     |     |   |   |
| 55  | 2    | 129907-03070 | BAFFLE, BREATHER    | 1    | 1   |     |     |     |     |   |   |
| 56  | 2    | 123907-03100 | DIAPHRAGM           | 1    | 1   |     |     |     |     |   |   |
| 57  | 2    | 123907-03110 | PLATE               | 1    | 1   |     |     |     |     |   |   |
| 58  | 2    | 123907-03120 | PLATE, BREATHER     | 1    | 1   |     |     |     |     |   |   |

Remarks  
 (1) Spare parts.

N:Old  $\frac{100}{100}$  New, Q:Old  $\frac{100}{100}$  New, R:Old  $\frac{100}{100}$  New, S:Old  $\frac{100}{100}$  New, W:Add, Z:Discontinued, F:Interchangeable by set, K:Q'ty Change  
 ++ CONTINUE ++ Copyright (C) 2014 YANMAR GLOBAL CS CO., LTD. All Rights Reserved.

0CW10-M27001 4TNV98-ZWDB8,4TNV98-ZWDB8F  
 Fig.4. CYLINDER HEAD & BONNET

0CW10-M27001 Fig.4



(A)=4TNV98-ZWDB8  
 (B)=4TNV98-ZWDB8F  
 (C)=

(D)=  
 (E)=  
 (F)=

| No. | Lev. | Parts No.    | Description         | Qty |     |     |     |     |     | I | R |
|-----|------|--------------|---------------------|-----|-----|-----|-----|-----|-----|---|---|
|     |      |              |                     | (A) | (B) | (C) | (D) | (E) | (F) |   |   |
| 59  | 2    | 123907-03140 | SPRING, DIAPHRAGM   | 1   | 1   |     |     |     |     |   |   |
| 61  | 2    | 129933-11310 | GASKET, BONNET      | 1   | 1   |     |     |     |     |   |   |
| 62  | 2    | 119640-61400 | PLUG                | 1   | 1   |     |     |     |     |   |   |
| 63  | 2    | 175339-79700 | CLIP                | 2   | 2   |     |     |     |     |   |   |
| 64  | 2    | 22857-500100 | SCREW, 5X10         | 6   | 6   |     |     |     |     |   |   |
| 65  | 2    | 22857-500100 | SCREW, 5X10         | 6   | 6   |     |     |     |     |   |   |
| 66  | 2    | 26106-060122 | BOLT, M6X 12 PLATED | 2   | 2   |     |     |     |     |   |   |
| 67  | 1    | 124160-11360 | KNOB                | 4   | 4   |     |     |     |     |   |   |
| 68  | 1    | 24311-000120 | O-RING, 1AP12.0     | 4   | 4   |     |     |     |     |   |   |
| 69  | 1    | 24311-000320 | O-RING, 1AP32.0     | 1   | 1   |     |     |     |     |   |   |

Remarks  
 (1)Spare parts.

N:Old  $\frac{100}{100}$  New, Q:Old  $\frac{100}{100}$  New, R:Old  $\frac{100}{100}$  New, S:Old  $\frac{100}{100}$  New, W:Add, Z:Discontinued, F:Interchangeable by set, K:Qty Change  
 Copyright (C) 2014 YANMAR GLOBAL CS CO., LTD. All Rights Reserved.



Fig.5. SUCTION MANIFOLD

(A)=4TNV98-ZWDB8  
(B)=4TNV98-ZWDB8F  
(C)=

(D)=  
(E)=  
(F)=

| No. | Lev. | Parts No.    | Description          | Q'ty |     |     |     |     |     | I | R |
|-----|------|--------------|----------------------|------|-----|-----|-----|-----|-----|---|---|
|     |      |              |                      | (A)  | (B) | (C) | (D) | (E) | (F) |   |   |
| 1   | 1    | 129907-12110 | GASKET, MANIFOLD     | 1    | 1   |     |     |     |     |   |   |
| 2   | 1    | 129927-12150 | MANIFOLD ASSY,INTAKE | 1    | 1   |     |     |     |     |   |   |
| 3   | 2    | 129927-12100 | MANIFOLD, AIR INTAKE | 1    | 1   |     |     |     |     |   |   |
| 4   | 2    | 26216-060202 | STUD, M6X 20         | 2    | 2   |     |     |     |     |   |   |
| 5   | 1    | 26106-080452 | BOLT, M8X 45 PLATED  | 6    | 6   |     |     |     |     |   |   |
| 6   | 1    | 26106-080802 | BOLT, M8X 80 PLATED  | 4    | 4   |     |     |     |     |   |   |
| 7   | 1    | 119129-77020 | GASKET               | 1    | 1   |     |     |     |     |   |   |
| 8   | 1    | 121850-77021 | GASKET, AIR HEATER   | 1    | 1   |     |     |     |     |   |   |
| 9   | 1    | 119005-77050 | HEATER, AIR          | 1    |     |     |     |     |     |   |   |
| 9-1 | 1    | 119005-77051 | HEATER, AIR          | 1    | 1   |     |     |     |     |   | N |
|     |      | (A=E77956)   |                      |      |     |     |     |     |     |   |   |
| 10  | 1    | 119129-77520 | BEND                 | 1    | 1   |     |     |     |     |   |   |
| 11  | 1    | 26106-080402 | BOLT, M8X 40 PLATED  | 2    | 2   |     |     |     |     |   |   |
| 12  | 1    | 26106-080902 | BOLT, M8X 90 PLATED  | 2    | 2   |     |     |     |     |   |   |
| 13  | 1    | 119005-12060 | SILENCER, INTAKE     | 1    | 1   |     |     |     |     |   | W |
|     |      | (A=E71859)   |                      |      |     |     |     |     |     |   |   |

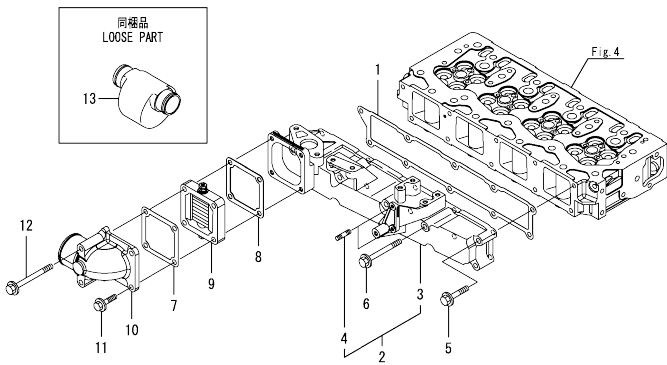
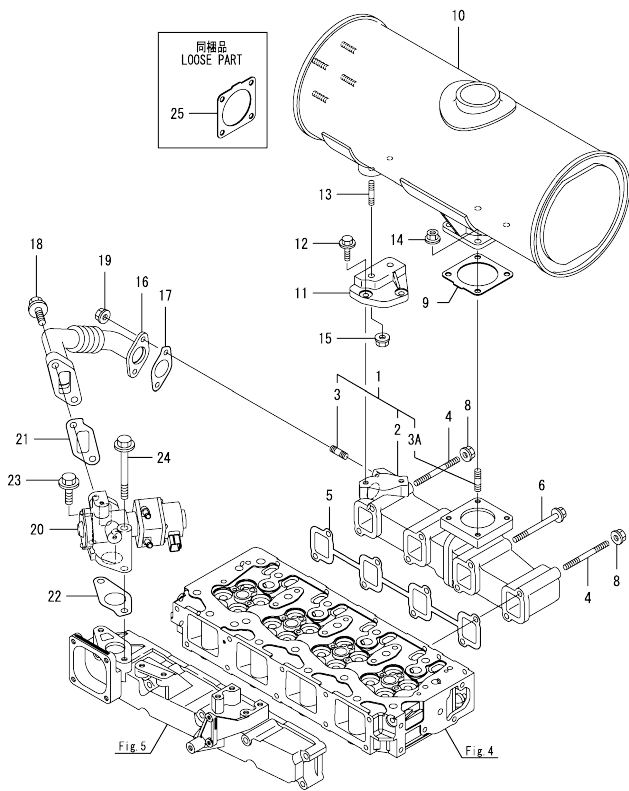


Fig.6. EXHAUST MANIFOLD & SILENCER

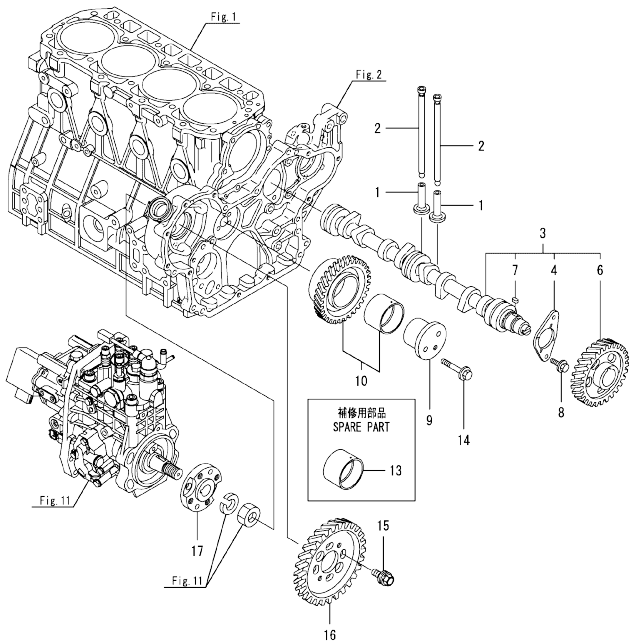


(A)=4TNV98-ZWDB8  
(B)=4TNV98-ZWDB8F  
(C)=

(D)=  
(E)=  
(F)=

| No.        | Lev. | Parts No.    | Description          | Q'ty |     |     |     |     |     | I | R |
|------------|------|--------------|----------------------|------|-----|-----|-----|-----|-----|---|---|
|            |      |              |                      | (A)  | (B) | (C) | (D) | (E) | (F) |   |   |
| 1          | 1    | 129927-13150 | MANIFOLD ASSY, EXH.  | 1    | 1   |     |     |     |     |   |   |
| 2          | 2    | 129927-13100 | MANIFOLD, EXHAUST    | 1    |     |     |     |     |     |   |   |
| 2-1        | 2    | 129927-13101 | MANIFOLD, EXHAUST    | 1    | 1   |     |     |     |     |   | R |
| (A=EM4987) |      |              |                      |      |     |     |     |     |     |   |   |
| 3          | 2    | 129418-18320 | BOLT, STUD M8X20     | 2    | 2   |     |     |     |     |   |   |
| 3A         | 2    | 119131-18320 | BOLT, STUD M8X22     | 4    | 4   |     |     |     |     |   |   |
| 4          | 1    | 129263-13210 | BOLT, STUD M8X90     | 2    | 2   |     |     |     |     |   |   |
| 5          | 1    | 129900-13251 | GASKET, EXH.MANIFOLD | 1    | 1   |     |     |     |     |   |   |
| 6          | 1    | 119802-13680 | BOLT, M8X90 10.9T    | 6    | 6   |     |     |     |     |   |   |
| 8          | 1    | 26306-080002 | NUT, M8              | 2    | 2   |     |     |     |     |   |   |
| 9          | 1    | 129930-13201 | GASKET, SILENCER     | 1    | 1   |     |     |     |     |   |   |
| 10         | 1    | 129907-13500 | SILENCER             | 1    | 1   |     |     |     |     |   |   |
| 11         | 1    | 129927-13550 | BRACKET, SILENCER    | 1    | 1   |     |     |     |     |   |   |
| 12         | 1    | 26106-080202 | BOLT, M8X 20 PLATED  | 2    | 2   |     |     |     |     |   |   |
| 13         | 1    | 26216-080402 | STUD, M8X 40         | 2    | 2   |     |     |     |     |   |   |
| 14         | 1    | 26306-080002 | NUT, M8              | 4    | 4   |     |     |     |     |   |   |
| 15         | 1    | 26306-080002 | NUT, M8              | 2    | 2   |     |     |     |     |   |   |
| 16         | 1    | 129927-13800 | PIPE ASSY, EGR       | 1    | 1   |     |     |     |     |   |   |
| 17         | 1    | 129927-13810 | GASKET               | 1    | 1   |     |     |     |     |   |   |
| 18         | 1    | 26106-100302 | BOLT, M10X 30 PLATED | 2    | 2   |     |     |     |     |   |   |
| 19         | 1    | 26306-080002 | NUT, M8              | 2    | 2   |     |     |     |     |   |   |
| 20         | 1    | 129927-13900 | VALVE, EGR           | 1    |     |     |     |     |     |   |   |
| 20-1       | 1    | 129928-13900 | VALVE, EGR           | 1    | 1   |     |     |     |     |   | N |
| (A=ED5744) |      |              |                      |      |     |     |     |     |     |   |   |
| 21         | 1    | 129927-13910 | GASKET, EGR          | 1    | 1   |     |     |     |     |   |   |
| 22         | 1    | 129927-13920 | GASKET, EGR          | 1    | 1   |     |     |     |     |   |   |
| 23         | 1    | 26106-100302 | BOLT, M10X 30 PLATED | 1    | 1   |     |     |     |     |   |   |
| 24         | 1    | 26106-100952 | BOLT, M10X 95 PLATED | 1    | 1   |     |     |     |     |   |   |
| 25         | 1    | 129930-13201 | GASKET, SILENCER     | 1    | 1   |     |     |     |     |   |   |

Fig.7. CAMSHAFT & DRIVING GEAR



(A)=4TNV98-ZWDB8  
(B)=4TNV98-ZWDB8F  
(C)=

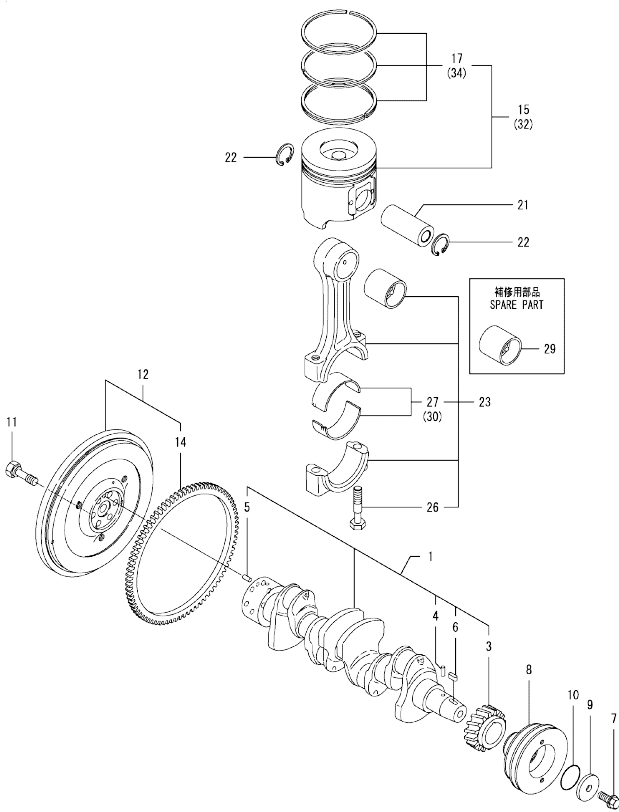
(D)=  
(E)=  
(F)=

| No. | Lev. | Parts No.               | Description         | Q'ty |     |     |     |     |     | I | R |
|-----|------|-------------------------|---------------------|------|-----|-----|-----|-----|-----|---|---|
|     |      |                         |                     | (A)  | (B) | (C) | (D) | (E) | (F) |   |   |
| 1   | 1    | 129150-14200            | TAPPET              | 8    | 8   |     |     |     |     |   |   |
| 2   | 1    | 129907-14400            | PUSH-ROD            | 8    | 8   |     |     |     |     |   |   |
| 3   | 1    | 129908-14581            | CAMSHAFT ASSY       | 1    | 1   |     |     |     |     |   |   |
| 4   | 2    | 129150-02450            | BEARING, THRUST     | 1    | 1   |     |     |     |     |   |   |
| 6   | 2    | 129900-14100            | GEAR, CAMSHAFT      | 1    | 1   |     |     |     |     |   |   |
| 7   | 2    | 22512-070140            | KEY, 7X 14          | 1    | 1   |     |     |     |     |   |   |
| 8   | 1    | 26106-080162            | BOLT, M8X 16 PLATED | 2    | 2   |     |     |     |     |   |   |
| 8-1 | 1    | 26106-080142            | BOLT, M8X 14 PLATED | 2    | 2   |     |     |     |     |   | N |
|     |      | (A=2013.11) (B=2013.11) |                     |      |     |     |     |     |     |   |   |
| 9   | 1    | 123900-25060            | SHAFT, IDLE GEAR    | 1    | 1   |     |     |     |     |   |   |
| 10  | 1    | 129900-25100            | GEAR ASSY, IDLE     | 1    | 1   |     |     |     |     |   |   |
| 13  | 1    | 129150-25920            | BUSH, IDLE GEAR     | 1    | 1   |     |     |     |     |   | 1 |
| 14  | 1    | 26106-080552            | BOLT, M8X 55 PLATED | 3    | 3   |     |     |     |     |   |   |
| 15  | 1    | 129953-25300            | BOLT                | 4    | 4   |     |     |     |     |   |   |
| 16  | 1    | 129907-25900            | GEAR, PUMP          | 1    | 1   |     |     |     |     |   |   |
| 17  | 1    | 158563-51150            | FLANGE              | 1    | 1   |     |     |     |     |   |   |

Remarks

(1)Spare parts.

Fig.8. CRANKSHAFT & PISTON



(A)=4TNV98-ZWDB8  
(B)=4TNV98-ZWDB8F  
(C)=

(D)=  
(E)=  
(F)=

| No.        | Lev. | Parts No.    | Description          | Q'ty |     |     |     |     |     | I | R   |
|------------|------|--------------|----------------------|------|-----|-----|-----|-----|-----|---|-----|
|            |      |              |                      | (A)  | (B) | (C) | (D) | (E) | (F) |   |     |
| 1          | 1    | 129902-21000 | CRANKSHAFT ASSY      | 1    | 1   |     |     |     |     |   |     |
| 3          | 2    | 129900-21200 | GEAR, CRANKSHAFT     | 1    | 1   |     |     |     |     |   |     |
| 4          | 2    | 121850-21290 | PIN                  | 1    | 1   |     |     |     |     |   |     |
| 5          | 2    | 121850-21920 | PIN, PARALLEL 10X22  | 1    | 1   |     |     |     |     |   |     |
| 6          | 2    | 22512-070140 | KEY, 7X 14           | 1    | 1   |     |     |     |     |   |     |
| 7          | 1    | 129916-21610 | BOLT                 | 1    | 1   |     |     |     |     |   |     |
| 8          | 1    | 129916-21620 | V-PULLEY, CRANKSHAFT | 1    | 1   |     |     |     |     |   |     |
| 9          | 1    | 129960-21640 | WASHER               | 1    |     |     |     |     |     |   |     |
| 9-1        | 1    | 129960-21940 | WASHER, V-PULLEY     | 1    | 1   |     |     |     |     |   | F 4 |
| (A=E07560) |      |              |                      |      |     |     |     |     |     |   |     |
| 10         | 1    | 24341-000530 | O-RING, 1AS53.0      | 1    |     |     |     |     |     |   |     |
| 10-1       | 1    | 129960-21930 | GASKET, WASHER       | 1    | 1   |     |     |     |     |   | F 4 |
| (A=E07560) |      |              |                      |      |     |     |     |     |     |   |     |
| 11         | 1    | 121850-21130 | BOLT, FLYWHEEL       | 6    | 6   |     |     |     |     |   |     |
| 12         | 1    | 129953-21560 | FLYWHEEL ASSY        | 1    | 1   |     |     |     |     |   |     |
| 14         | 2    | 129900-21600 | GEAR, RING           | 1    | 1   |     |     |     |     |   |     |
| 15         | 1    | 129927-22080 | PISTON ASSY          | 4    | 4   |     |     |     |     |   |     |
| 17         | 2    | 129927-22050 | RING SET, PISTON     | 4    | 4   |     |     |     |     |   |     |
| 21         | 1    | 120130-22301 | PIN, PISTON          | 4    | 4   |     |     |     |     |   |     |
| 22         | 1    | 22252-000300 | RING, 30             | 8    | 8   |     |     |     |     |   |     |
| 23         | 1    | 129900-23001 | ROD ASSY, CONNECTING | 4    | 4   |     |     |     |     |   |     |
| 26         | 2    | 129900-23200 | BOLT, CONNECTING ROD | 8    | 8   |     |     |     |     |   |     |
| 27         | 2    | 129900-23601 | BEARING, CRANK PIN   | 4    | 4   |     |     |     |     |   |     |
| 29         | 1    | 129900-23911 | BEARING, PISTON PIN  | 4    | 4   |     |     |     |     |   | 1   |
| 30         | 1    | 129900-23611 | BEARING ASSY, 0.25US | 4    | 4   |     |     |     |     |   | 2   |
| 32         | 1    | 729927-22900 | PISTON ASSY, 0.25 OS | 4    | 4   |     |     |     |     |   | 3   |
| 34         | 2    | 729927-22950 | RING SET, 0.25 OS    | 4    | 4   |     |     |     |     |   | 3   |

Remarks

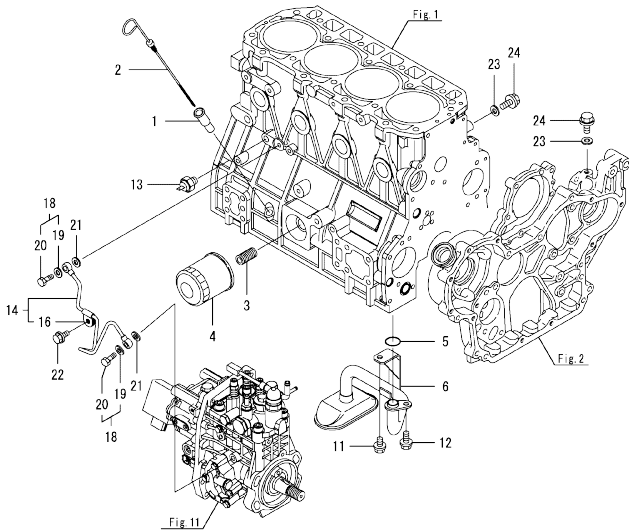
- (1) Spare parts.
- (2) Under-sized (U.S.=0.25) parts.
- (3) Over-sized (O.S.=0.25) parts.
- (4) Interchangeable by simultaneous replacement with No.9-1, 10-1.

Fig.9. LUB. OIL SYSTEM

(A)=4TNV98-ZWDB8  
(B)=4TNV98-ZWDB8F  
(C)=

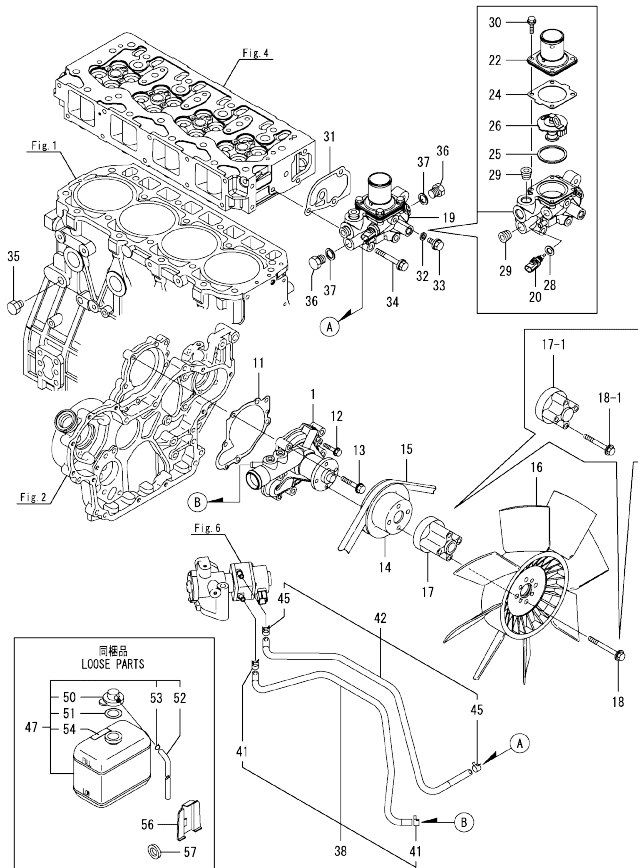
(D)=  
(E)=  
(F)=

| No. | Lev. | Parts No.    | Description          | Q'ty |     |     |     |     |     | I | R |
|-----|------|--------------|----------------------|------|-----|-----|-----|-----|-----|---|---|
|     |      |              |                      | (A)  | (B) | (C) | (D) | (E) | (F) |   |   |
| 1   | 1    | 121520-34810 | GUIDE, DIPSTICK      | 1    | 1   |     |     |     |     |   |   |
| 2   | 1    | 129906-34851 | DIPSTICK             | 1    | 1   |     |     |     |     |   |   |
| 3   | 1    | 119000-35140 | BOLT, STUD FILTER    | 1    | 1   |     |     |     |     |   |   |
| 4   | 1    | 119005-35151 | FILTER, D80X100      | 1    | 1   |     |     |     |     |   | 1 |
| 5   | 1    | 129900-32030 | O-RING, P20          | 1    | 1   |     |     |     |     |   |   |
| 6   | 1    | 129953-35000 | PIPE ASSY, OIL INLET | 1    | 1   |     |     |     |     |   |   |
| 11  | 1    | 26106-080122 | BOLT, M8X 12 PLATED  | 1    | 1   |     |     |     |     |   |   |
| 12  | 1    | 26106-080162 | BOLT, M8X 16 PLATED  | 1    | 1   |     |     |     |     |   |   |
| 13  | 1    | 119761-39450 | SWITCH, HYDRAULIC    | 1    | 1   |     |     |     |     |   |   |
| 14  | 1    | 129927-39060 | PIPE ASSY, OIL       | 1    | 1   |     |     |     |     |   |   |
| 16  | 2    | 123907-39500 | RETAINER, PIPE       | 1    | 1   |     |     |     |     |   |   |
| 18  | 1    | 129005-59830 | BOLT ASSY, JOINT M8  | 2    | 2   |     |     |     |     |   |   |
| 19  | 2    | 22190-080002 | WASHER, SEAL 8       | 2    | 2   |     |     |     |     |   |   |
| 20  | 2    | 23857-030000 | BOLT, JOINT 3        | 2    | 2   |     |     |     |     |   |   |
| 21  | 1    | 22190-080002 | WASHER, SEAL 8       | 2    | 2   |     |     |     |     |   |   |
| 22  | 1    | 26106-080122 | BOLT, M8X 12 PLATED  | 1    | 1   |     |     |     |     |   |   |
| 23  | 1    | 22190-080002 | WASHER, SEAL 8       | 2    | 2   |     |     |     |     |   |   |
| 24  | 1    | 26106-080122 | BOLT, M8X 12 PLATED  | 2    | 2   |     |     |     |     |   |   |



Remarks  
(1)Spare parts.

OCW10-M27001 4TNV98-ZWDB8,4TNV98-ZWDB8F  
 Fig.10. COOLING WATER SYSTEM



OCW10-M27001 Fig.10

(A)=4TNV98-ZWDB8  
 (B)=4TNV98-ZWDB8F  
 (C)=

(D)=  
 (E)=  
 (F)=

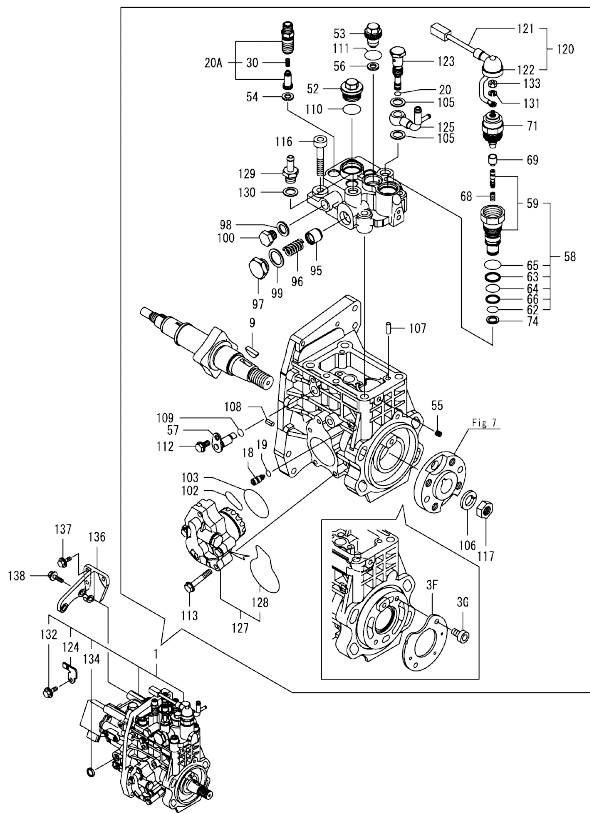
| No.  | Lev. | Parts No.               | Description           | Q'ty |     |     |     |     |     | I | R   |
|------|------|-------------------------|-----------------------|------|-----|-----|-----|-----|-----|---|-----|
|      |      |                         |                       | (A)  | (B) | (C) | (D) | (E) | (F) |   |     |
| 1    | 1    | 129927-42000            | PUMP ASSY, WATER      | 1    | 1   |     |     |     |     |   |     |
| 11   | 1    | 129900-42020            | GASKET, WATER PUMP    | 1    | 1   |     |     |     |     |   |     |
| 12   | 1    | 26106-060302            | BOLT, M6X 30 PLATED   | 2    | 2   |     |     |     |     |   |     |
| 13   | 1    | 26106-080552            | BOLT, M8X 55 PLATED   | 5    | 5   |     |     |     |     |   |     |
| 14   | 1    | 129906-42420            | V-PULLEY, PUMP        | 1    | 1   |     |     |     |     |   |     |
| 14-1 | 1    | 129906-42421            | V-PULLEY, PUMP        | 1    | 1   |     |     |     |     |   | R   |
|      |      | (A=EQ6838) (B=EQ6623)   |                       |      |     |     |     |     |     |   |     |
| 14-2 | 1    | 129916-42410            | V-PULLEY, PUMP        | 1    | 1   |     |     |     |     |   | N   |
|      |      | (A=2015.04) (B=2015.04) |                       |      |     |     |     |     |     |   |     |
| 15   | 1    | 25153-004400            | V-BELT, B44           | 1    | 1   |     |     |     |     |   |     |
| 16   | 1    | 129953-44710            | FAN, COOLING D=460    | 1    | 1   |     |     |     |     |   |     |
| 17   | 1    | 119117-44760            | SPACER, FAN           | 1    | 1   |     |     |     |     |   |     |
| 17-1 | 1    | 129973-44760            | SPACER, FAN 50        | 1    | 1   |     |     |     |     |   | F 1 |
|      |      | (A=E71859)              |                       |      |     |     |     |     |     |   |     |
| 18   | 1    | 26106-080802            | BOLT, M8X 80 PLATED   | 4    |     |     |     |     |     |   |     |
| 18-1 | 1    | 26106-080652            | BOLT, M8X 65 PLATED   | 4    | 4   |     |     |     |     |   | F 1 |
|      |      | (A=E71859)              |                       |      |     |     |     |     |     |   |     |
| 19   | 1    | 129938-49800            | CASE ASSY, THERMOSTAT | 1    | 1   |     |     |     |     |   |     |
| 20   | 2    | 129927-44900            | SENSOR, WATER TEMP.   | 1    | 1   |     |     |     |     |   |     |
| 22   | 2    | 129916-49530            | COVER, THERMOSTAT     | 1    | 1   |     |     |     |     |   |     |
| 24   | 2    | 121850-49540            | GASKET, THERMOSTAT    | 1    | 1   |     |     |     |     |   |     |
| 25   | 2    | 121850-49550            | GASKET, THERMOSTAT    | 1    | 1   |     |     |     |     |   |     |
| 26   | 2    | 121850-49800            | THERMOSTAT, 82C       | 1    |     |     |     |     |     |   |     |
| 26-1 | 2    | 121850-49801            | THERMOSTAT, 82C       | 1    | 1   |     |     |     |     |   | N   |
|      |      | (A=EE4117)              |                       |      |     |     |     |     |     |   |     |
| 28   | 2    | 22190-120002            | WASHER, SEAL 12       | 1    | 1   |     |     |     |     |   |     |
| 29   | 2    | 23875-030000            | PLUG, R03             | 2    | 2   |     |     |     |     |   |     |
| 30   | 2    | 26106-060202            | BOLT, M6X 20 PLATED   | 4    | 4   |     |     |     |     |   |     |
| 31   | 1    | 129900-49870            | GASKET, THERMOSTAT    | 1    | 1   |     |     |     |     |   |     |
| 32   | 1    | 23414-080000            | GASKET, 8X1.0         | 1    | 1   |     |     |     |     |   |     |
| 33   | 1    | 26106-080122            | BOLT, M8X 12 PLATED   | 1    | 1   |     |     |     |     |   |     |
| 34   | 1    | 26106-080602            | BOLT, M8X 60 PLATED   | 3    | 3   |     |     |     |     |   |     |
| 35   | 1    | 171056-49120            | PLUG, DRAIN R1/4      | 1    | 1   |     |     |     |     |   |     |
| 36   | 1    | 121450-42450            | PLUG, M16             | 2    | 2   |     |     |     |     |   |     |
| 37   | 1    | 124465-44950            | GASKET, 16            | 2    | 2   |     |     |     |     |   |     |
| 38   | 1    | 129927-49610            | HOSE ASSY, WATER      | 1    | 1   |     |     |     |     |   |     |
| 41   | 2    | 23080-012000            | CLAMP, 12             | 2    | 2   |     |     |     |     |   |     |
| 42   | 1    | 129927-49620            | HOSE ASSY, WATER      | 1    | 1   |     |     |     |     |   |     |
| 45   | 2    | 23080-012000            | CLAMP, 12             | 2    | 2   |     |     |     |     |   |     |
| 47   | 1    | 121857-44800            | TANK ASSY, RESERVE    | 1    | 1   |     |     |     |     |   |     |
| 50   | 2    | 121850-44850            | CAP                   | 1    | 1   |     |     |     |     |   |     |
| 51   | 2    | 121850-44860            | GASKET                | 1    | 1   |     |     |     |     |   |     |
| 52   | 2    | 121850-44870            | HOSE                  | 1    | 1   |     |     |     |     |   |     |
| 53   | 2    | 121850-44880            | CLAMP, HOSE           | 1    | 1   |     |     |     |     |   |     |
| 54   | 2    | 121850-44830            | LABEL, RESERVE TANK   | 1    | 1   |     |     |     |     |   |     |
| 56   | 1    | 120147-44810            | BRACKET               | 1    | 1   |     |     |     |     |   |     |
| 57   | 1    | 129150-49360            | GASKET                | 1    | 1   |     |     |     |     |   |     |

Remarks

(1) Interchangeable by simultaneous replacement with No.17-1, 18-1.

N:Old  $\frac{100}{100}$  New, Q:Old  $\frac{100}{100}$  New, R:Old  $\frac{100}{100}$  New, S:Old  $\frac{100}{100}$  New, W:Add, Z:Discontinued, F:Interchangeable by set, K:Q'ty Change  
 Copyright (C) 2014 YANMAR GLOBAL CS CO., LTD. All Rights Reserved.

Fig.11. FUEL INJECTION PUMP



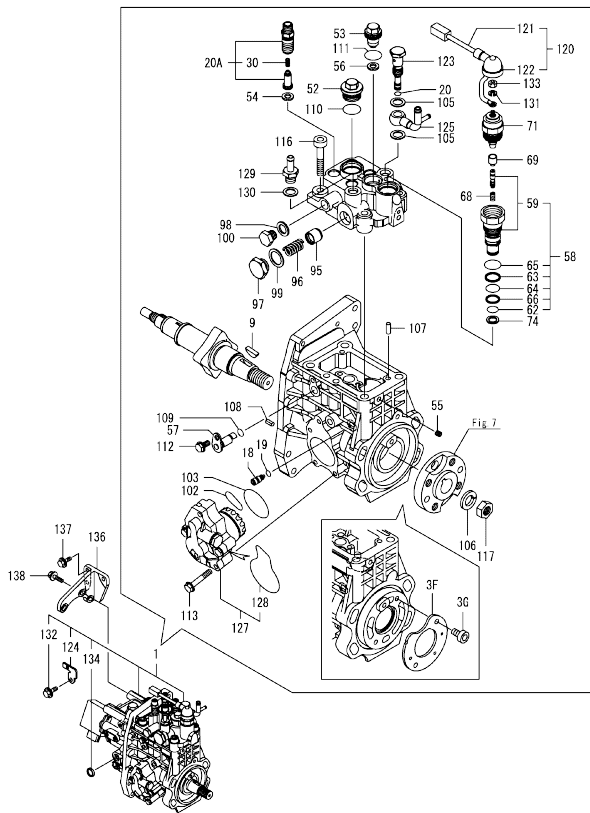
(A)=4TNV98-ZWDB8  
(B)=4TNV98-ZWDB8F  
(C)=

(D)=  
(E)=  
(F)=

| No.         | Lev. | Parts No.    | Description          | Q'ty |     |     |     |     |     | I | R |
|-------------|------|--------------|----------------------|------|-----|-----|-----|-----|-----|---|---|
|             |      |              |                      | (A)  | (B) | (C) | (D) | (E) | (F) |   |   |
| 1           | 1    | 729938-51360 | PUMP ASSY, INJECTION | 1    | 1   |     |     |     |     |   | 1 |
| 3F          | 2    | 129928-51900 | COVER                | 1    | 1   |     |     |     |     |   | W |
| (A=ED5744)  |      |              |                      |      |     |     |     |     |     |   |   |
| 3G          | 2    | 129008-51920 | BOLT, SOCKET M6X10   | 2    | 2   |     |     |     |     |   | W |
| (A=ED5744)  |      |              |                      |      |     |     |     |     |     |   |   |
| 9           | 2    | 144626-51090 | FEATHER KEY, 5X19    | 1    | 1   |     |     |     |     |   |   |
| 18          | 2    | 158600-51270 | STOPPER, TAPPET      | 1    | 1   |     |     |     |     |   |   |
| 19          | 2    | 158563-51281 | O-RING, 4D S6        | 1    | 1   |     |     |     |     |   |   |
| 20          | 2    | 158563-51281 | O-RING, 4D S6        | 1    | 1   |     |     |     |     |   |   |
| 20A         | 2    | 129927-51390 | VALVE ASSY, DELIVERY | 4    | 4   |     |     |     |     |   |   |
| 30          | 3    | 158563-51330 | SPRING, DELIVERY     | 4    | 4   |     |     |     |     |   |   |
| 52          | 2    | 158601-51550 | PLUG, M22            | 1    | 1   |     |     |     |     |   |   |
| 53          | 2    | 129907-51560 | PLUG, M16            | 1    | 1   |     |     |     |     |   |   |
| 54          | 2    | 158552-51570 | GASKET, PLUG         | 4    | 4   |     |     |     |     |   |   |
| 54-1        | 2    | 158552-51571 | GASKET, PLUG         | 4    | 4   |     |     |     |     |   | R |
| (A=E78042)  |      |              |                      |      |     |     |     |     |     |   |   |
| 55          | 2    | 158557-51570 | PLUG, RACK           | 1    | 1   |     |     |     |     |   |   |
| 56          | 2    | 129906-51580 | GASKET, PLUG         | 1    | 1   |     |     |     |     |   |   |
| 57          | 2    | 158552-51580 | LIFTER, LINK         | 1    | 1   |     |     |     |     |   |   |
| 58          | 2    | 129657-51590 | TIMER ASSY           | 1    | 1   |     |     |     |     |   |   |
| 59          | 3    | 129657-51600 | TIMER ASSY           | 1    | 1   |     |     |     |     |   |   |
| 62          | 3    | 158553-51670 | O-RING               | 1    | 1   |     |     |     |     |   |   |
| 63          | 3    | 119802-51680 | RING, BACKUP         | 1    | 1   |     |     |     |     |   |   |
| 64          | 3    | 119802-51690 | O-RING               | 1    | 1   |     |     |     |     |   |   |
| 65          | 3    | 24356-010200 | O-RING, 4D1020       | 1    |     |     |     |     |     |   |   |
| 65-1        | 3    | 24356-190200 | O-RING, 4D19020      | 1    | 1   |     |     |     |     |   | R |
| (A=2009.09) |      |              |                      |      |     |     |     |     |     |   |   |
| 66          | 3    | 24372-000150 | RING, BACK UP T2P15  | 1    | 1   |     |     |     |     |   |   |
| 68          | 2    | 119852-51630 | SPRING, TIMER        | 1    | 1   |     |     |     |     |   |   |
| 69          | 2    | 119852-51640 | CAP, TIMER           | 1    | 1   |     |     |     |     |   |   |
| 71          | 2    | 119852-51650 | VALVE ASSY, SOLENOID | 1    | 1   |     |     |     |     |   |   |
| 74          | 2    | 158553-51680 | GASKET, TIMER        | 1    | 1   |     |     |     |     |   |   |
| 95          | 2    | 158601-51770 | PISTON, ACCUMULATOR  | 1    | 1   |     |     |     |     |   |   |
| 96          | 2    | 158552-51781 | SPRING, ACCUMULATOR  | 1    | 1   |     |     |     |     |   |   |
| 97          | 2    | 158601-51790 | PLUG                 | 1    | 1   |     |     |     |     |   |   |
| 98          | 2    | 22190-120002 | WASHER, SEAL 12      | 1    | 1   |     |     |     |     |   |   |
| 99          | 2    | 22190-180002 | WASHER, SEAL 18      | 1    | 1   |     |     |     |     |   |   |
| 100         | 2    | 23887-120002 | PLUG, 12             | 1    | 1   |     |     |     |     |   |   |
| 100-1       | 2    | 158553-51930 | PLUG, M12            | 1    | 1   |     |     |     |     |   | R |
| (A=ED5744)  |      |              |                      |      |     |     |     |     |     |   |   |
| 102         | 2    | 158552-52310 | O-RING               | 1    |     |     |     |     |     |   |   |
| 102-1       | 2    | 158552-52311 | O-RING               | 1    | 1   |     |     |     |     |   | R |
| (A=ED5744)  |      |              |                      |      |     |     |     |     |     |   |   |
| 103         | 2    | 158552-52400 | O-RING, 4E S42       | 1    | 1   |     |     |     |     |   |   |
| 105         | 2    | 22190-120002 | WASHER, SEAL 12      | 2    | 2   |     |     |     |     |   |   |
| 106         | 2    | 22217-180000 | WASHER, SPRING 18    | 1    | 1   |     |     |     |     |   |   |
| 107         | 2    | 22312-050140 | PIN, PARALLEL 5X14   | 2    | 2   |     |     |     |     |   |   |
| 108         | 2    | 22351-050010 | PIN, SPRING 5.0X10   | 2    | 2   |     |     |     |     |   |   |
| 109         | 2    | 24311-000070 | O-RING, 1AP7.0       | 1    | 1   |     |     |     |     |   |   |
| 110         | 2    | 24356-010200 | O-RING, 4D1020       | 1    |     |     |     |     |     |   |   |
| 110-1       | 2    | 24356-190200 | O-RING, 4D19020      | 1    | 1   |     |     |     |     |   | R |

Remarks  
 (1)Governor(Fig.12) is incorporated in this Fuel Injection Pump (No.1).  
 (1)Eco pump  
 Make sure to update the engines ECU information when replacing the Eco pump.  
 Failing to do so will result in engine malfunction.

Fig.11. FUEL INJECTION PUMP



(A)=4TNV98-ZWDB8  
(B)=4TNV98-ZWDB8F  
(C)=

(D)=  
(E)=  
(F)=

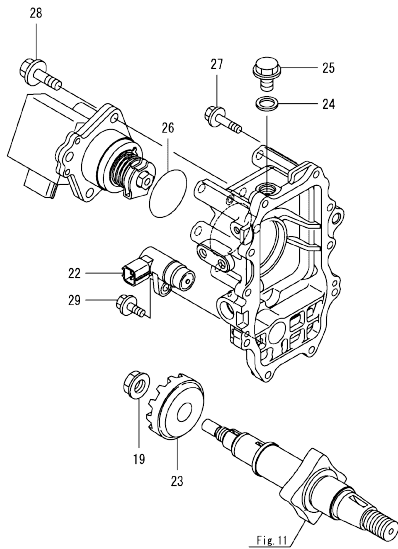
| No.         | Lev. | Parts No.    | Description          | Q'ty |     |     |     |     |     | I | R |
|-------------|------|--------------|----------------------|------|-----|-----|-----|-----|-----|---|---|
|             |      |              |                      | (A)  | (B) | (C) | (D) | (E) | (F) |   |   |
| (A=2009.09) |      |              |                      |      |     |     |     |     |     |   |   |
| 111         | 2    | 24356-020210 | O-RING, 4D2021       | 1    |     |     |     |     |     |   |   |
| 111-1       | 2    | 24356-240210 | O-RING, 4D24021      | 1    | 1   |     |     |     |     | R |   |
| (A=2009.09) |      |              |                      |      |     |     |     |     |     |   |   |
| 112         | 2    | 26106-060102 | BOLT, M6X 10 PLATED  | 1    | 1   |     |     |     |     |   |   |
| 113         | 2    | 26106-060352 | BOLT, M6X 35 PLATED  | 4    | 4   |     |     |     |     |   |   |
| 116         | 2    | 26450-100452 | BOLT, M10X 45        | 4    | 4   |     |     |     |     |   |   |
| 117         | 2    | 26776-180002 | NUT, LOCK M18        | 1    | 1   |     |     |     |     |   |   |
| 120         | 2    | 129927-51650 | HARNES ASSY, WIRE    | 1    | 1   |     |     |     |     |   |   |
| 121         | 3    | 129927-51660 | HARNES               | 1    | 1   |     |     |     |     |   |   |
| 122         | 3    | 129263-77941 | CAP, RUBBER          | 1    | 1   |     |     |     |     |   |   |
| 123         | 2    | 158601-51650 | JOINT, OVER FLOW     | 1    | 1   |     |     |     |     |   |   |
| 124         | 2    | 129927-51670 | BRACKET              | 1    | 1   |     |     |     |     |   |   |
| 125         | 2    | 158552-51670 | JOINT, OVER FLOW     | 1    | 1   |     |     |     |     |   |   |
| 127         | 2    | 158552-52100 | PUMP ASSY, FUEL FEED | 1    | 1   |     |     |     |     |   |   |
| 128         | 3    | 158552-52500 | O-RING               | 1    | 1   |     |     |     |     |   |   |
| 129         | 2    | 119934-59910 | JOINT, PIPE          | 1    | 1   |     |     |     |     |   |   |
| 130         | 2    | 22190-120002 | WASHER, SEAL 12      | 1    | 1   |     |     |     |     |   |   |
| 131         | 2    | 22217-050000 | WASHER, SPRING 5     | 1    | 1   |     |     |     |     |   |   |
| 132         | 2    | 26106-060122 | BOLT, M6X 12 PLATED  | 1    | 1   |     |     |     |     |   |   |
| 133         | 2    | 26716-050002 | NUT, M5              | 1    | 1   |     |     |     |     |   |   |
| 134         | 2    | 27241-160000 | PLUG, 16             | 1    | 1   |     |     |     |     |   |   |
| 136         | 1    | 129927-51250 | RETAINER, PUMP       | 1    | 1   |     |     |     |     |   |   |
| 137         | 1    | 26106-080202 | BOLT, M8X 20 PLATED  | 3    | 3   |     |     |     |     |   |   |
| 138         | 1    | 26106-080302 | BOLT, M8X 30 PLATED  | 3    | 3   |     |     |     |     |   |   |

Remarks

- (1)Governor(Fig.12) is incorporated in this Fuel Injection Pump (No.1).
- (1)Eco pump
- Make sure to update the engines ECU information when replacing the Eco pump.
- Failing to do so will result in engine malfunction.



Fig.12. GOVERNOR



(A)=4TNV98-ZWDB8  
(B)=4TNV98-ZWDB8F  
(C)=

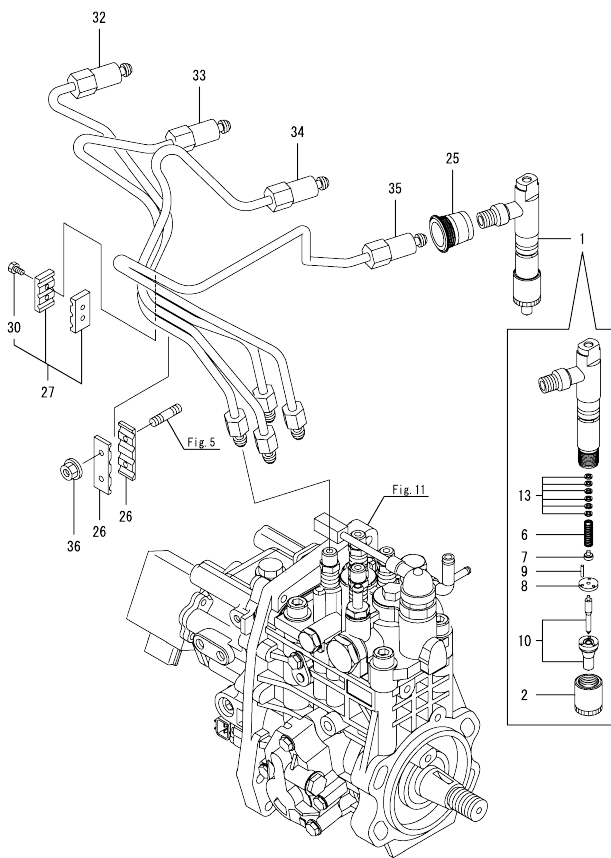
(D)=  
(E)=  
(F)=

| No.  | Lev. | Parts No.                   | Description         | Q'ty |     |     |     |     |     | I | R |
|------|------|-----------------------------|---------------------|------|-----|-----|-----|-----|-----|---|---|
|      |      |                             |                     | (A)  | (B) | (C) | (D) | (E) | (F) |   |   |
| 19   | 2    | 119660-61300                | NUT                 | 1    |     |     |     |     |     |   |   |
| 19-1 | 2    | 129008-61301<br>(A=E71859)  | NUT                 | 1    | 1   |     |     |     |     |   | R |
| 22   | 2    | 158557-61720                | SENSOR              | 1    | 1   |     |     |     |     |   |   |
| 23   | 2    | 158553-61780                | GEAR, SENSOR        | 1    | 1   |     |     |     |     |   |   |
| 24   | 2    | 23414-120000                | GASKET, 12X1.0      | 1    |     |     |     |     |     |   |   |
| 24-1 | 2    | 22190-120002<br>(A=2008,10) | WASHER, SEAL 12     | 1    |     |     |     |     |     |   | N |
| 24-2 | 2    | 22190-120000<br>(A=2009,02) | WASHER, SEAL 12     | 1    | 1   |     |     |     |     |   | N |
| 25   | 2    | 23887-120002                | PLUG, 12            | 1    |     |     |     |     |     |   |   |
| 25-1 | 2    | 158553-51930<br>(A=ED5744)  | PLUG, M12           | 1    | 1   |     |     |     |     |   | R |
| 26   | 2    | 24341-000480                | O-RING, 1AS48.0     | 1    | 1   |     |     |     |     |   |   |
| 27   | 2    | 26106-060252                | BOLT, M6X 25 PLATED | 10   | 10  |     |     |     |     |   |   |
| 28   | 2    | 26106-080252                | BOLT, M8X 25 PLATED | 3    | 3   |     |     |     |     |   |   |
| 29   | 2    | 26106-060162                | BOLT, M6X 16 PLATED | 1    | 1   |     |     |     |     |   |   |

Remarks

\* This figure(Governor) is incorporated in the Fuel Injection Pump(Fig.11).

Fig.13. FUEL INJECTION VALVE

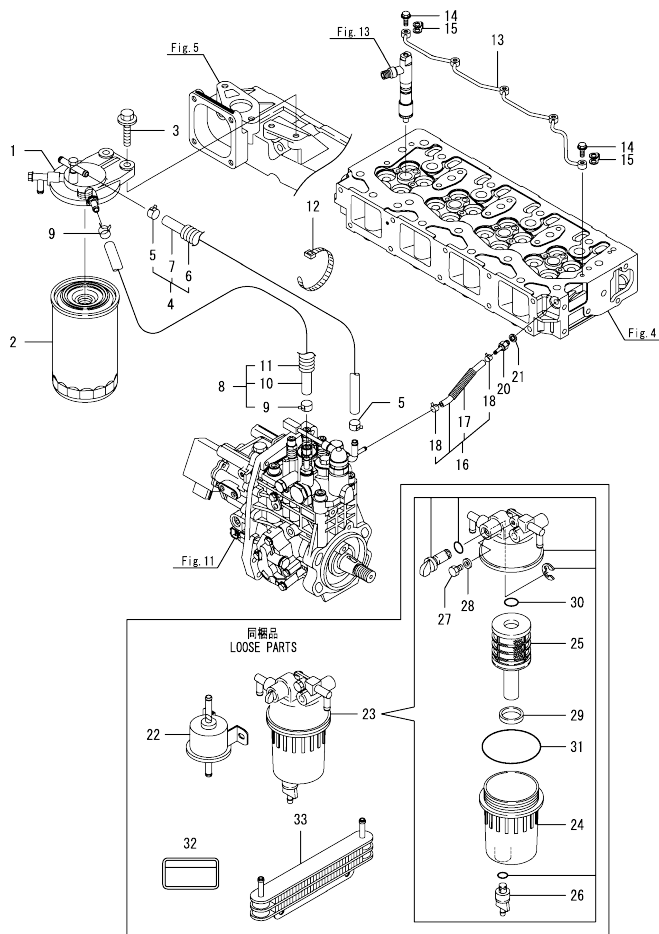


(A)=4TNV98-ZWDB8  
(B)=4TNV98-ZWDB8F  
(C)=

(D)=  
(E)=  
(F)=

| No.        | Lev. | Parts No.    | Description          | Q'ty |     |     |     |     |     | I | R |
|------------|------|--------------|----------------------|------|-----|-----|-----|-----|-----|---|---|
|            |      |              |                      | (A)  | (B) | (C) | (D) | (E) | (F) |   |   |
| 1          | 1    | 729927-53300 | FUEL INJECTOR ASSY   | 4    | 4   |     |     |     |     |   |   |
| 2          | 2    | 114250-53080 | NUT, NOZZLE          | 4    | 4   |     |     |     |     |   |   |
| 6          | 2    | 114250-53120 | SPRING, NOZZLE       | 4    | 4   |     |     |     |     |   |   |
| 7          | 2    | 114250-53130 | SEAT, SPRING         | 4    | 4   |     |     |     |     |   |   |
| 8          | 2    | 114250-53140 | SPACER               | 4    | 4   |     |     |     |     |   |   |
| 9          | 2    | 114250-53210 | PIN                  | 8    | 8   |     |     |     |     |   |   |
| 10         | 2    | 129927-53300 | NOZZLE ASSY, F.I.    | 4    | 4   |     |     |     |     |   |   |
| 13         | 2    | 114250-53400 | SHIM SET             | 4    |     |     |     |     |     |   |   |
| 13-1       | 2    | 119803-53400 | SHIM SET             | 4    | 4   |     |     |     |     |   | R |
| (A=ED5744) |      |              |                      |      |     |     |     |     |     |   |   |
| 25         | 1    | 123907-11601 | SEAL, PIPE           | 4    | 4   |     |     |     |     |   |   |
| 26         | 1    | 123472-59120 | RETAINER, PIPE       | 2    | 2   |     |     |     |     |   |   |
| 27         | 1    | 129150-59120 | RETAINER, PIPE       | 1    | 1   |     |     |     |     |   |   |
| 30         | 2    | 129150-59131 | BOLT, M4X14          | 2    | 2   |     |     |     |     |   |   |
| 32         | 1    | 129927-59810 | PIPE ASSY, INJECTION | 1    | 1   |     |     |     |     |   |   |
| 33         | 1    | 129927-59820 | PIPE ASSY, INJECTION | 1    | 1   |     |     |     |     |   |   |
| 34         | 1    | 129927-59830 | PIPE ASSY, INJECTION | 1    | 1   |     |     |     |     |   |   |
| 35         | 1    | 129927-59840 | PIPE ASSY, INJECTION | 1    | 1   |     |     |     |     |   |   |
| 36         | 1    | 26366-060002 | NUT, M6              | 2    | 2   |     |     |     |     |   |   |

Fig.14. FUEL LINE

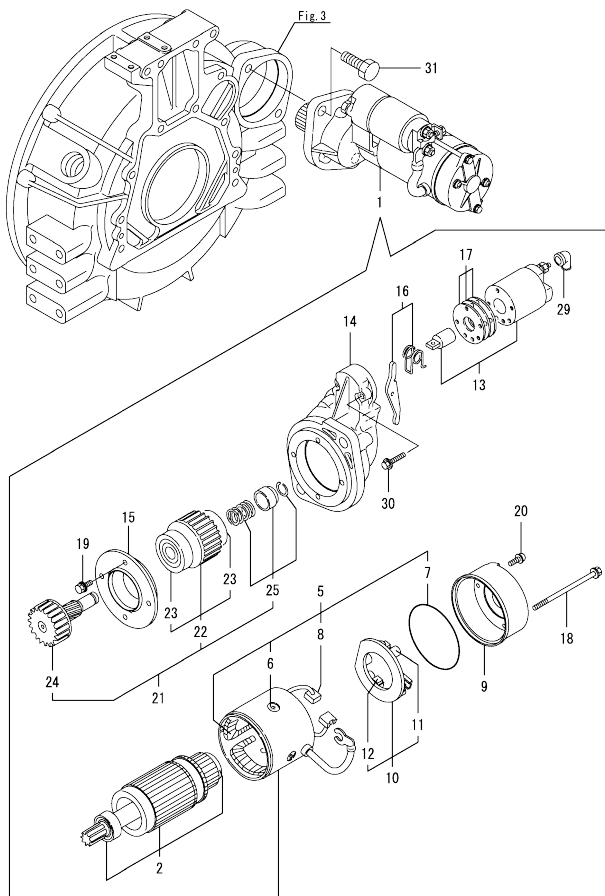


(A)=4TNV98-ZWDB8  
(B)=4TNV98-ZWDB8F  
(C)=

(D)=  
(E)=  
(F)=

| No.        | Lev. | Parts No.    | Description          | Qty |     |     |     |     |     | I | R |
|------------|------|--------------|----------------------|-----|-----|-----|-----|-----|-----|---|---|
|            |      |              |                      | (A) | (B) | (C) | (D) | (E) | (F) |   |   |
| 1          | 1    | 129004-55612 | BRACKET, FILTER      | 1   | 1   |     |     |     |     |   |   |
| 2          | 1    | 129907-55801 | FILTER, FUEL         | 1   | 1   |     |     |     |     |   |   |
| 3          | 1    | 26106-080302 | BOLT, M8X 30 PLATED  | 2   | 2   |     |     |     |     |   |   |
| 4          | 1    | 129457-59010 | HOSE ASSY, FUEL      | 1   | 1   |     |     |     |     |   |   |
| 5          | 2    | 124766-59050 | CLAMP, HOSE 11.5     | 2   | 2   |     |     |     |     |   |   |
| 6          | 2    | 129957-59120 | TUBE, CORRUGATED 15  | 1   | 1   |     |     |     |     |   |   |
| 7          | 2    | 105025-59750 | HOSE, FUEL           | 1   | 1   |     |     |     |     |   |   |
| 8          | 1    | 129961-59310 | HOSE ASSY, FUEL      | 1   | 1   |     |     |     |     |   |   |
| 9          | 2    | 124766-59050 | CLAMP, HOSE 11.5     | 2   | 2   |     |     |     |     |   |   |
| 10         | 2    | 129136-59110 | HOSE, D13/7.5X270    | 1   | 1   |     |     |     |     |   |   |
| 11         | 2    | 129961-59110 | TUBE, CORRUGATED 15  | 1   | 1   |     |     |     |     |   |   |
| 12         | 1    | 121750-59890 | BAND, NYLON          | 1   | 1   |     |     |     |     |   |   |
| 13         | 1    | 129907-59140 | PIPE ASSY, RETURN    | 1   | 1   |     |     |     |     |   |   |
| 14         | 1    | 123907-59540 | BOLT, PIPE JOINT M6  | 5   | 5   |     |     |     |     |   |   |
| 15         | 1    | 123907-59550 | GASKET               | 5   | 5   |     |     |     |     |   |   |
| 16         | 1    | 129927-59550 | HOSE ASSY RETURN     | 1   | 1   |     |     |     |     |   |   |
| 17         | 2    | 129263-49750 | TUBE, CORRUGATED     | 1   | 1   |     |     |     |     |   |   |
| 18         | 2    | 124722-59050 | CLAMP, HOSE 9        | 2   | 2   |     |     |     |     |   |   |
| 20         | 1    | 123907-59560 | JOINT, HOSE          | 1   | 1   |     |     |     |     |   |   |
| 21         | 1    | 22190-080002 | WASHER, SEAL 8       | 1   | 1   |     |     |     |     |   |   |
| 22         | 1    | 129612-52100 | PUMP, FUEL FEED      | 1   | 1   |     |     |     |     |   |   |
| 23         | 1    | 129245-55710 | SEPARATOR ASSY,WATER | 1   |     |     |     |     |     |   | N |
| 23-1       | 1    | 129245-55711 | SEPARATOR ASSY,WATER | 1   | 1   |     |     |     |     |   |   |
| (A=E64352) |      |              |                      |     |     |     |     |     |     |   |   |
| 24         | 2    | 129245-55720 | CUP ASSY, SEPARATOR  | 1   | 1   |     |     |     |     |   |   |
| 25         | 2    | 129242-55730 | ELEMENT, FUEL        | 1   | 1   |     |     |     |     |   |   |
| 26         | 2    | 129242-55740 | PLUG, DRAIN          | 1   | 1   |     |     |     |     |   |   |
| 27         | 2    | 129242-55750 | VALVE, AIR VENT      | 1   | 1   |     |     |     |     |   |   |
| 28         | 2    | 129242-55760 | GASKET, PLUG         | 1   | 1   |     |     |     |     |   |   |
| 29         | 2    | 129242-55770 | FLOAT                | 1   | 1   |     |     |     |     |   |   |
| 30         | 2    | 24311-000160 | O-RING, 1AP16.0      | 1   | 1   |     |     |     |     |   |   |
| 31         | 2    | 24321-000750 | O-RING, 1AG75.0      | 1   | 1   |     |     |     |     |   |   |
| 32         | 1    | 114110-07760 | LABEL, FUEL CAUTION  | 1   |     |     |     |     |     |   | W |
| (A=E64352) |      |              |                      |     |     |     |     |     |     |   |   |
| 32-1       | 1    | 114110-07761 | LABEL, FUEL OIL CAUT | 1   | 1   |     |     |     |     |   | N |
| (A=EF3495) |      |              |                      |     |     |     |     |     |     |   |   |
| 33         | 1    | 129973-59590 | COOLER,FUEL OIL      | 1   | 1   |     |     |     |     |   | W |
| (A=E64352) |      |              |                      |     |     |     |     |     |     |   |   |

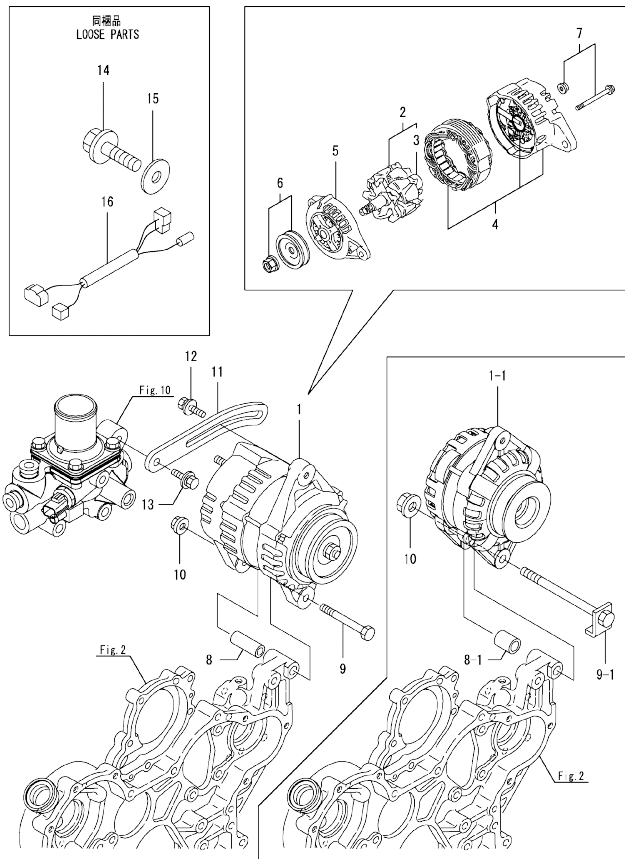
Fig.15. STARTING MOTOR



| No.  | Lev. | Parts No.                   | Description          | Q'ty |     |     |     |     |     | I | R |
|------|------|-----------------------------|----------------------|------|-----|-----|-----|-----|-----|---|---|
|      |      |                             |                      | (A)  | (B) | (C) | (D) | (E) | (F) |   |   |
| 1    | 1    | 129940-77010                | STARTER ASSY         | 1    |     |     |     |     |     |   |   |
| 1-1  | 1    | 129940-77011<br>(A=EE4117)  | STARTER ASSY         | 1    | 1   |     |     |     |     |   | N |
| 2    | 2    | 129940-77100                | ARMATURE ASSY        | 1    | 1   |     |     |     |     |   |   |
| 5    | 2    | 129940-77130                | COIL ASSY, FIELD     | 1    | 1   |     |     |     |     |   |   |
| 6    | 3    | 129940-77140                | SCREW, CORE SET      | 4    | 4   |     |     |     |     |   |   |
| 7    | 3    | 129940-77150                | O-RING               | 1    | 1   |     |     |     |     |   |   |
| 8    | 3    | 129940-77160                | BRUSH                | 2    | 2   |     |     |     |     |   |   |
| 9    | 2    | 129940-77170                | COVER                | 1    |     |     |     |     |     |   |   |
| 9-1  | 2    | 129940-77171<br>(A=EE4117)  | COVER                | 1    | 1   |     |     |     |     |   | N |
| 10   | 2    | 129940-77180                | HOLDER ASSY, BRUSH   | 1    |     |     |     |     |     |   |   |
| 10-1 | 2    | 129940-77181<br>(A=EE4117)  | HOLDER ASSY, BRUSH   | 1    | 1   |     |     |     |     |   | N |
| 11   | 3    | 129940-77190                | SPRING, BRUSH        | 1    | 1   |     |     |     |     |   |   |
| 12   | 3    | 129940-77200                | BRUSH                | 2    | 2   |     |     |     |     |   |   |
| 13   | 2    | 129940-77210                | SWITCH ASSY, MAGNET  | 1    | 1   |     |     |     |     |   |   |
| 14   | 2    | 129940-77220                | CASE, GEAR           | 1    |     |     |     |     |     |   |   |
| 14-1 | 2    | 129940-77221<br>(A=EE4117)  | CASE, GEAR           | 1    | 1   |     |     |     |     |   | N |
| 15   | 2    | 129940-77230                | RETAINER, BEARING    | 1    | 1   |     |     |     |     |   |   |
| 16   | 2    | 129940-77240                | LEVER SET            | 1    | 1   |     |     |     |     |   |   |
| 17   | 2    | 129940-77250                | COVER KIT, DUST      | 1    | 1   |     |     |     |     |   |   |
| 18   | 2    | 129940-77260                | BOLT, THROUGH        | 2    | 2   |     |     |     |     |   |   |
| 19   | 2    | 129940-77270                | BOLT                 | 4    | 4   |     |     |     |     |   |   |
| 20   | 2    | 129940-77280                | SCREW                | 2    | 2   |     |     |     |     |   |   |
| 21   | 2    | 123900-77510                | PINION ASSY          | 1    | 1   |     |     |     |     |   |   |
| 22   | 3    | 123900-77520                | CLUTCH ASSY          | 1    | 1   |     |     |     |     |   |   |
| 23   | 4    | X2240610100                 | BEARING, BALL        | 2    | 2   |     |     |     |     |   |   |
| 24   | 3    | 123900-77540                | SHAFT, PINION        | 1    | 1   |     |     |     |     |   |   |
| 25   | 3    | 119131-77550                | STOPPER SET, PINION  | 1    | 1   |     |     |     |     |   |   |
| 29   | 2    | 121254-77810                | COVER, TERMINAL      | 1    | 1   |     |     |     |     |   |   |
| 30   | 2    | 114371-79070                | BOLT                 | 2    | 2   |     |     |     |     |   |   |
| 31   | 1    | 26116-120252                | BOLT, M12X 25 PLATED | 2    |     |     |     |     |     |   |   |
| 31-1 | 1    | 26106-120252<br>(A=2010.06) | BOLT, M12X 25 PLATED | 2    | 2   |     |     |     |     |   | R |

N:Old  $\frac{100}{100}$  New, Q:Old  $\frac{100}{100}$  New, R:Old  $\frac{100}{100}$  New, S:Old  $\frac{100}{100}$  New, W:Add, Z:Discontinued, F:Interchangeable by set, K:Q'ty Change  
Copyright (C) 2014 YANMAR GLOBAL CS CO., LTD. All Rights Reserved.

Fig.16. GENERATOR



(A)=4TNV98-ZWDB8  
(B)=4TNV98-ZWDB8F  
(C)=

(D)=  
(E)=  
(F)=

| No. | Lev. | Parts No.                  | Description          | Q'ty |     |     |     |     |     | I | R   |
|-----|------|----------------------------|----------------------|------|-----|-----|-----|-----|-----|---|-----|
|     |      |                            |                      | (A)  | (B) | (C) | (D) | (E) | (F) |   |     |
| 1   | 1    | 123900-77210               | ALTERNATOR, 12V-60A  | 1    |     |     |     |     |     |   |     |
| 1-1 | 1    | 129908-77210<br>(A=EN6454) | ALTERNATOR           | 1    | 1   |     |     |     |     |   | F 1 |
| 2   | 2    | 123900-77700<br>(A=EN6454) | ROTOR ASSY           | 1    |     |     |     |     |     |   | Z   |
| 3   | 3    | 129612-77710<br>(A=EN6454) | BEARING, BALL        | 1    |     |     |     |     |     |   | Z   |
| 4   | 2    | 123900-77720<br>(A=EN6454) | BRACKET ASSY         | 1    |     |     |     |     |     |   | Z   |
| 5   | 2    | 123900-77730<br>(A=EN6454) | BRACKET ASSY         | 1    |     |     |     |     |     |   | Z   |
| 6   | 2    | 123900-77740<br>(A=EN6454) | PULLEY, GENERATOR    | 1    |     |     |     |     |     |   | Z   |
| 7   | 2    | 123900-77750<br>(A=EN6454) | SCREW KIT            | 1    |     |     |     |     |     |   | Z   |
| 8   | 1    | 129470-77340               | PIECE, DISTANCE      | 1    |     |     |     |     |     |   |     |
| 8-1 | 1    | 129908-77360<br>(A=EN6454) | PIECE, DISTANCE      | 1    | 1   |     |     |     |     |   | F 1 |
| 9   | 1    | 26116-101202               | BOLT, M10X120 PLATED | 1    |     |     |     |     |     |   |     |
| 9-1 | 1    | 129908-77220<br>(A=EN6454) | BOLT, STOPPER M10    | 1    | 1   |     |     |     |     |   | F 1 |
| 10  | 1    | 26306-100002               | NUT, M10             | 1    | 1   |     |     |     |     |   |     |
| 11  | 1    | 129916-77300               | ADJUSTER, BELT       | 1    | 1   |     |     |     |     |   |     |
| 12  | 1    | 119810-77340               | BOLT, ADJUST L=30    | 1    | 1   |     |     |     |     |   |     |
| 13  | 1    | 26014-080252               | BOLT, M8X 25         | 1    | 1   |     |     |     |     |   |     |
| 14  | 1    | 129927-77690               | WASHER, ECU          | 3    | 3   |     |     |     |     |   |     |
| 15  | 1    | 26106-080252               | BOLT, M8X 25 PLATED  | 3    | 3   |     |     |     |     |   |     |
| 16  | 1    | 129908-77940<br>(A=EN6454) | HARNESS              | 1    | 1   |     |     |     |     |   | F 1 |

Remarks

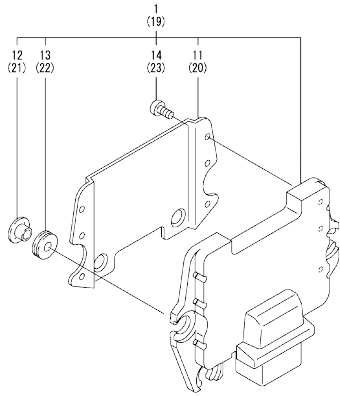
(1)Interchangeable by simultaneous replacement with No.1-1, 8-1, 9-1, 16.

Fig.17. ELECTRONIC CONTROL UNIT (ECU)

(A)=4TNV98-ZWDB8  
 (B)=4TNV98-ZWDB8F  
 (C)=

(D)=  
 (E)=  
 (F)=

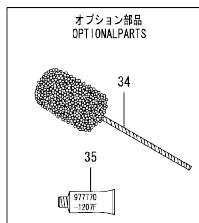
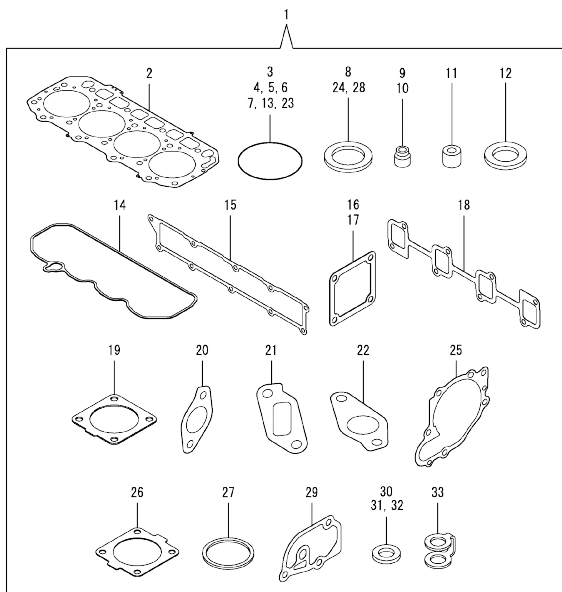
| No. | Lev. | Parts No.    | Description          | Q'ty |     |     |     |     |     | I | R |
|-----|------|--------------|----------------------|------|-----|-----|-----|-----|-----|---|---|
|     |      |              |                      | (A)  | (B) | (C) | (D) | (E) | (F) |   |   |
| 1   | 1    | 129939-75120 | CONTROLLER ASSY, EUC | 1    | 1   |     |     |     |     |   | 1 |
| 11  | 2    | 129927-77600 | SHIELD, ECU          | 1    | 1   |     |     |     |     |   |   |
| 12  | 2    | 129927-77680 | COLLAR, CONTROL      | 3    | 3   |     |     |     |     |   |   |
| 13  | 2    | 119578-91351 | ABSORBER             | 3    | 3   |     |     |     |     |   |   |
| 14  | 2    | 22877-500080 | SCREW, 5X 8          | 6    | 6   |     |     |     |     |   |   |
| 19  | 1    | 129927-75900 | ECU ASSY, SERVICE    | 1    | 1   |     |     |     |     |   | 2 |
| 20  | 2    | 129927-77600 | SHIELD, ECU          | 1    | 1   |     |     |     |     |   |   |
| 21  | 2    | 129927-77680 | COLLAR, CONTROL      | 3    | 3   |     |     |     |     |   |   |
| 22  | 2    | 119578-91351 | ABSORBER             | 3    | 3   |     |     |     |     |   |   |
| 23  | 2    | 22877-500080 | SCREW, 5X 8          | 6    | 6   |     |     |     |     |   |   |



Remarks

- (1)Eco ECU
- This part cannot be ordered.
- Replace the part using a Service ECU with the proper engine information installed.
- (2)Service ECU
- If the proper information is not installed, the engine will not operate.
- To install proper information, go to an authorized distributor.

Fig.18. GASKET SET



(A)=4TNV98-ZWDB8  
(B)=4TNV98-ZWDB8F  
(C)=

(D)=  
(E)=  
(F)=

| No. | Lev. | Parts No.    | Description          | Q'ty |     |     |     |     |     | I | R |
|-----|------|--------------|----------------------|------|-----|-----|-----|-----|-----|---|---|
|     |      |              |                      | (A)  | (B) | (C) | (D) | (E) | (F) |   |   |
| 1   | 1    | 729927-92670 | GASKET SET           | 1    | 1   |     |     |     |     |   | 1 |
| 2   | 2    | 129907-01331 | GASKET, HEAD         | 1    | 1   |     |     |     |     |   |   |
| 3   | 2    | 129900-32030 | O-RING, P20          | 2    | 2   |     |     |     |     |   |   |
| 4   | 2    | 129900-32040 | O-RING, P14          | 1    | 1   |     |     |     |     |   |   |
| 5   | 2    | 24311-000070 | O-RING, 1AP7.0       | 1    | 1   |     |     |     |     |   |   |
| 6   | 2    | 24351-030750 | O-RING, 1A3075       | 1    | 1   |     |     |     |     |   |   |
| 7   | 2    | 24311-000320 | O-RING, 1AP32.0      | 3    | 3   |     |     |     |     |   |   |
| 8   | 2    | 22190-220002 | WASHER, SEAL 22      | 1    | 1   |     |     |     |     |   |   |
| 9   | 2    | 119803-11340 | SEAL, VALVE STEM     | 8    | 8   |     |     |     |     |   |   |
| 10  | 2    | 124160-11340 | SEAL, VALVE STEM     | 8    | 8   |     |     |     |     |   |   |
| 11  | 2    | 119802-11870 | PROTECTOR, NOZZLE    | 4    | 4   |     |     |     |     |   |   |
| 12  | 2    | 119625-11880 | SEAT, NOZZLE         | 4    | 4   |     |     |     |     |   |   |
| 13  | 2    | 24311-000120 | O-RING, 1AP12.0      | 8    | 8   |     |     |     |     |   |   |
| 14  | 2    | 129933-11310 | GASKET, BONNET       | 1    | 1   |     |     |     |     |   |   |
| 15  | 2    | 129907-12110 | GASKET, MANIFOLD     | 1    | 1   |     |     |     |     |   |   |
| 16  | 2    | 119129-77020 | GASKET               | 1    | 1   |     |     |     |     |   |   |
| 17  | 2    | 121850-77021 | GASKET, AIR HEATER   | 1    | 1   |     |     |     |     |   |   |
| 18  | 2    | 129900-13251 | GASKET, EXH.MANIFOLD | 1    | 1   |     |     |     |     |   |   |
| 19  | 2    | 129930-13201 | GASKET, SILENCER     | 2    | 2   |     |     |     |     |   |   |
| 20  | 2    | 129927-13810 | GASKET               | 1    | 1   |     |     |     |     |   |   |
| 21  | 2    | 129927-13910 | GASKET, EGR          | 1    | 1   |     |     |     |     |   |   |
| 22  | 2    | 129927-13920 | GASKET, EGR          | 1    | 1   |     |     |     |     |   |   |
| 23  | 2    | 24341-000530 | O-RING, 1AS53.0      | 1    | 1   |     |     |     |     |   |   |
| 24  | 2    | 22190-080002 | WASHER, SEAL 8       | 7    | 7   |     |     |     |     |   |   |
| 25  | 2    | 129900-42020 | GASKET, WATER PUMP   | 1    | 1   |     |     |     |     |   |   |
| 26  | 2    | 121850-49540 | GASKET, THERMOSTAT   | 1    | 1   |     |     |     |     |   |   |
| 27  | 2    | 121850-49550 | GASKET, THERMOSTAT   | 1    | 1   |     |     |     |     |   |   |
| 28  | 2    | 22190-120002 | WASHER, SEAL 12      | 1    | 1   |     |     |     |     |   |   |
| 29  | 2    | 129900-49870 | GASKET, THERMOSTAT   | 1    | 1   |     |     |     |     |   |   |
| 30  | 2    | 23414-080000 | GASKET, 8X1.0        | 1    | 1   |     |     |     |     |   |   |
| 31  | 2    | 124465-44950 | GASKET, 16           | 2    | 2   |     |     |     |     |   |   |
| 32  | 2    | 129150-49360 | GASKET               | 1    | 1   |     |     |     |     |   |   |
| 33  | 2    | 123907-59550 | GASKET               | 5    | 5   |     |     |     |     |   |   |
| 34  | 1    | 129400-92450 | HONE, FLEX           | 1    | 1   |     |     |     |     |   | 1 |
| 35  | 1    | 977770-1207F | GASKET, LIQUID       | 1    | 1   |     |     |     |     |   | 1 |

Remarks

(1)Optional parts.

## Parts No. Index

| Parts No.    | Fig. No. | Ref. No. | Parts No.    | Fig. No. | Ref. No. | Parts No.    | Fig. No. | Ref. No. | Parts No.    | Fig. No. | Ref. No. |
|--------------|----------|----------|--------------|----------|----------|--------------|----------|----------|--------------|----------|----------|
| 105025-59750 | 14       | 7        | 121750-59890 | 14       | 12       | 124722-59050 | 14       | 18       | 129900-02941 | 1        | 35       |
| 114110-07760 | 14       | 32       | 121850-21130 | 8        | 11       | 124766-59050 | 14       | 5        | 129900-13251 | 6        | 5        |
| 114110-07761 | 14       | 32 -1    | 121850-21290 | 8        | 4        |              |          | 9        |              | 18       | 18       |
| 114250-53080 | 13       | 2        | 121850-21920 | 8        | 5        | 129001-91810 | 2        | 35       | 129900-14100 | 7        | 6        |
| 114250-53120 | 13       | 6        | 121850-44830 | 10       | 54       | 129004-55612 | 14       | 1        | 129900-21200 | 8        | 3        |
| 114250-53130 | 13       | 7        | 121850-44850 | 10       | 50       | 129005-59830 | 9        | 18       | 129900-21600 | 8        | 14       |
| 114250-53140 | 13       | 8        | 121850-44860 | 10       | 51       | 129008-51920 | 11       | 3 G      | 129900-23001 | 8        | 23       |
| 114250-53210 | 13       | 9        | 121850-44870 | 10       | 52       | 129008-61301 | 12       | 19 -1    | 129900-23200 | 8        | 26       |
| 114250-53400 | 13       | 13       | 121850-44880 | 10       | 53       | 129100-01580 | 2        | 1        | 129900-23601 | 8        | 27       |
| 114371-79070 | 15       | 30       | 121850-49540 | 10       | 24       |              | 3        | 1        | 129900-23611 | 8        | 30       |
| 119000-35140 | 9        | 3        |              | 18       | 26       | 129136-59110 | 14       | 10       | 129900-23911 | 8        | 29       |
| 119005-12060 | 5        | 13       | 121850-49550 | 10       | 25       | 129150-02450 | 7        | 4        | 129900-25100 | 7        | 10       |
| 119005-35151 | 9        | 4        |              | 18       | 27       | 129150-11230 | 4        | 39       | 129900-32001 | 2        | 4        |
| 119005-77050 | 5        | 9        | 121850-49800 | 10       | 26       |              |          | 43       | 129900-32030 | 2        | 16       |
| 119005-77051 | 5        | 9 -1     | 121850-49801 | 10       | 26 -1    | 129150-11750 | 4        | 20       |              | 9        | 5        |
| 119117-44760 | 10       | 17       | 121850-77021 | 5        | 8        |              |          | 40       |              | 18       | 3        |
| 119129-77020 | 5        | 7        |              | 18       | 17       |              |          | 44       | 129900-32040 | 2        | 17       |
|              | 18       | 16       | 121857-44800 | 10       | 47       | 129150-14200 | 7        | 1        |              | 18       | 4        |
| 119129-77520 | 5        | 10       | 123472-59120 | 13       | 26       | 129150-25920 | 7        | 13       | 129900-42020 | 10       | 11       |
| 119131-18320 | 6        | 3 A      | 123900-25060 | 7        | 9        | 129150-49360 | 10       | 57       |              | 18       | 25       |
| 119131-77550 | 15       | 25       | 123900-77210 | 16       | 1        |              |          | 18       | 129900-49870 | 10       | 31       |
| 119578-91351 | 17       | 13       | 123900-77510 | 15       | 21       | 129150-59120 | 13       | 27       |              | 18       | 29       |
|              |          | 22       | 123900-77520 | 15       | 22       | 129150-59131 | 13       | 30       | 129902-21000 | 8        | 1        |
| 119593-11301 | 4        | 31       | 123900-77540 | 15       | 24       | 129242-55730 | 14       | 25       | 129906-34851 | 9        | 2        |
| 119620-01750 | 3        | 3        | 123900-77700 | 16       | 2        | 129242-55740 | 14       | 26       | 129906-42420 | 10       | 14       |
| 119620-11180 | 4        | 15       | 123900-77720 | 16       | 4        | 129242-55750 | 14       | 27       | 129906-42421 | 10       | 14 -1    |
| 119625-11880 | 4        | 27       | 123900-77730 | 16       | 5        | 129242-55760 | 14       | 28       | 129906-51580 | 11       | 56       |
|              | 18       | 12       | 123900-77740 | 16       | 6        | 129242-55770 | 14       | 29       | 129907-01331 | 1        | 28       |
| 119640-01640 | 3        | 8        | 123900-77750 | 16       | 7        | 129245-55710 | 14       | 23       |              | 18       | 2        |
| 119640-61400 | 4        | 62       | 123907-03100 | 4        | 56       | 129245-55711 | 14       | 23 -1    | 129907-03011 | 4        | 53       |
| 119660-61300 | 12       | 19       | 123907-03110 | 4        | 57       | 129245-55720 | 14       | 24       | 129907-03061 | 4        | 54       |
| 119761-39450 | 9        | 13       | 123907-03120 | 4        | 58       | 129263-13210 | 6        | 4        | 129907-03070 | 4        | 55       |
| 119802-11870 | 4        | 26       | 123907-03140 | 4        | 59       | 129263-49750 | 14       | 17       | 129907-07900 | 4        | 1        |
|              | 18       | 11       | 123907-11280 | 4        | 36       | 129263-77941 | 11       | 122      | 129907-11100 | 4        | 12       |
| 119802-13680 | 6        | 6        | 123907-11550 | 4        | 4        | 129400-92450 | 18       | 34       | 129907-11110 | 4        | 13       |
| 119802-51680 | 11       | 63       | 123907-11601 | 13       | 25       | 129418-18320 | 6        | 3        | 129907-11120 | 4        | 14       |
| 119802-51690 | 11       | 64       | 123907-11820 | 4        | 22       | 129457-59010 | 14       | 4        | 129907-11250 | 4        | 33       |
| 119803-11340 | 4        | 16       | 123907-11830 | 4        | 21       | 129470-77340 | 16       | 8        | 129907-11260 | 4        | 34       |
|              | 18       | 9        | 123907-39500 | 9        | 16       | 129612-52100 | 14       | 22       | 129907-11270 | 4        | 35       |
| 119803-53400 | 13       | 13 -1    | 123907-59540 | 14       | 14       | 129612-77710 | 16       | 3        | 129907-11341 | 4        | 32       |
| 119810-77340 | 16       | 12       | 123907-59550 | 14       | 15       | 129657-51590 | 11       | 58       | 129907-11510 | 4        | 18       |
| 119852-51630 | 11       | 68       |              | 18       | 33       | 129657-51600 | 11       | 59       | 129907-11650 | 4        | 37       |
| 119852-51640 | 11       | 69       | 123907-59560 | 14       | 20       | 129900-01200 | 1        | 27       | 129907-11660 | 4        | 41       |
| 119852-51650 | 11       | 71       | 124160-01751 | 2        | 24       | 129900-01250 | 1        | 4        | 129907-11800 | 4        | 25       |
| 119934-59910 | 11       | 129      |              | 4        | 51       | 129900-01850 | 2        | 33       | 129907-11910 | 4        | 28       |
| 120130-22301 | 8        | 21       | 124160-11340 | 4        | 17       | 129900-01870 | 2        | 34       | 129907-11920 | 4        | 45       |
| 120147-44810 | 10       | 56       |              | 18       | 10       | 129900-02020 | 1        | 6        | 129907-11950 | 4        | 29       |
| 121254-77810 | 15       | 29       | 124160-11360 | 4        | 67       | 129900-02341 | 1        | 32       | 129907-12110 | 5        | 1        |
| 121450-42450 | 10       | 36       | 124465-44950 | 10       | 37       | 129900-02410 | 1        | 9        |              | 18       | 15       |
| 121520-34810 | 9        | 1        |              | 18       | 31       | 129900-02931 | 1        | 24       | 129907-13500 | 6        | 10       |



## Parts No. Index

| Parts No.    | Fig. No. | Ref. No. | Parts No.    | Fig. No. | Ref. No. | Parts No.    | Fig. No. | Ref. No. | Parts No.    | Fig. No. | Ref. No. |
|--------------|----------|----------|--------------|----------|----------|--------------|----------|----------|--------------|----------|----------|
| 129907-14400 | 7        | 2        | 129927-59820 | 13       | 33       | 129960-21940 | 8        | 9 -1     | 22190-220002 | 3        | 10       |
| 129907-25900 | 7        | 16       | 129927-59830 | 13       | 34       | 129961-59110 | 14       | 11       |              | 18       | 8        |
| 129907-51560 | 11       | 53       | 129927-59840 | 13       | 35       | 129961-59310 | 14       | 8        | 22217-050000 | 11       | 131      |
| 129907-55801 | 14       | 2        | 129927-75900 | 17       | 19       | 129973-44760 | 10       | 17 -1    | 22217-180000 | 11       | 106      |
| 129907-59140 | 14       | 13       | 129927-77600 | 17       | 11       | 129973-55900 | 14       | 33       | 22252-000300 | 8        | 22       |
| 129908-14581 | 7        | 3        |              |          | 20       | 129981-01600 | 3        | 2        | 22312-050140 | 11       | 107      |
| 129908-77210 | 16       | 1 -1     | 129927-77680 | 17       | 12       | 144626-51090 | 11       | 9        | 22351-050010 | 11       | 108      |
| 129908-77220 | 16       | 9 -1     |              |          | 21       | 158552-51570 | 11       | 54       | 22351-060012 | 1        | 10       |
| 129908-77360 | 16       | 8 -1     | 129927-77690 | 16       | 14       | 158552-51571 | 11       | 54 -1    | 22512-070140 | 7        | 7        |
| 129908-77940 | 16       | 16       | 129928-13900 | 6        | 20 -1    | 158552-51580 | 11       | 57       |              | 8        | 6        |
| 129916-01710 | 3        | 7        | 129928-51900 | 11       | 3 F      | 158552-51670 | 11       | 125      | 22857-500100 | 4        | 64       |
| 129916-01790 | 3        | 6        | 129930-13201 | 6        | 9        | 158552-51781 | 11       | 96       |              | 65       | 65       |
| 129916-01800 | 2        | 32       |              |          | 25       | 158552-52100 | 11       | 127      | 22877-500080 | 17       | 14       |
| 129916-21610 | 8        | 7        |              |          | 18       | 158552-52310 | 11       | 102      |              | 23       | 23       |
| 129916-21620 | 8        | 8        | 129933-11310 | 4        | 61       | 158552-52311 | 11       | 102 -1   | 23080-012000 | 10       | 41       |
| 129916-42410 | 10       | 14 -2    |              |          | 18       | 158552-52400 | 11       | 103      |              | 45       | 45       |
| 129916-49530 | 10       | 22       | 129938-49800 | 10       | 19       | 158552-52500 | 11       | 128      | 23414-080000 | 10       | 32       |
| 129916-77300 | 16       | 11       | 129939-07920 | 4        | 2        | 158553-51670 | 11       | 62       |              | 18       | 30       |
| 129927-11320 | 4        | 52       | 129939-75120 | 17       | 1        | 158553-51680 | 11       | 74       | 23414-120000 | 12       | 24       |
| 129927-11700 | 4        | 5        | 129940-77010 | 15       | 1        | 158553-51930 | 11       | 100 -1   | 23857-030000 | 9        | 20       |
| 129927-12100 | 5        | 3        | 129940-77011 | 15       | 1 -1     |              | 12       | 25 -1    | 23875-030000 | 10       | 29       |
| 129927-12150 | 5        | 2        | 129940-77100 | 15       | 2        | 158553-61780 | 12       | 23       | 23876-020000 | 4        | 9        |
| 129927-13100 | 6        | 2        | 129940-77130 | 15       | 5        | 158557-51570 | 11       | 55       | 23876-030000 | 1        | 11       |
| 129927-13101 | 6        | 2 -1     | 129940-77140 | 15       | 6        | 158557-61720 | 12       | 22       |              | 12       | 12       |
| 129927-13150 | 6        | 1        | 129940-77150 | 15       | 7        | 158563-51150 | 7        | 17       |              | 13       | 13       |
| 129927-13550 | 6        | 11       | 129940-77160 | 15       | 8        | 158563-51281 | 11       | 19       |              | 4        | 10       |
| 129927-13800 | 6        | 16       | 129940-77170 | 15       | 9        |              | 11       | 20       | 23887-120002 | 11       | 100      |
| 129927-13810 | 6        | 17       | 129940-77171 | 15       | 9 -1     | 158563-51330 | 11       | 30       |              | 12       | 25       |
|              | 18       | 20       | 129940-77180 | 15       | 10       | 158600-51270 | 11       | 18       | 24311-000070 | 2        | 18       |
| 129927-13900 | 6        | 20       | 129940-77181 | 15       | 10 -1    | 158601-51550 | 11       | 52       |              | 11       | 109      |
| 129927-13910 | 6        | 21       | 129940-77190 | 15       | 11       | 158601-51650 | 11       | 123      |              | 18       | 5        |
|              | 18       | 21       | 129940-77200 | 15       | 12       | 158601-51770 | 11       | 95       | 24311-000120 | 4        | 30       |
| 129927-13920 | 6        | 22       | 129940-77210 | 15       | 13       | 158601-51790 | 11       | 97       |              | 68       | 68       |
|              | 18       | 22       | 129940-77220 | 15       | 14       | 171031-11741 | 2        | 38       |              | 18       | 13       |
| 129927-22050 | 8        | 17       | 129940-77221 | 15       | 14 -1    | 171051-01921 | 1        | 5        | 24311-000160 | 14       | 30       |
| 129927-22080 | 8        | 15       | 129940-77230 | 15       | 15       | 171056-49120 | 10       | 35       | 24311-000320 | 2        | 25       |
| 129927-39060 | 9        | 14       | 129940-77240 | 15       | 16       | 175339-79700 | 4        | 63       |              | 39       | 39       |
| 129927-42000 | 10       | 1        | 129940-77250 | 15       | 17       | 22190-080002 | 9        | 19       |              | 4        | 69       |
| 129927-42140 | 2        | 17 A     | 129940-77260 | 15       | 18       |              |          | 21       |              | 18       | 7        |
| 129927-44900 | 10       | 20       | 129940-77270 | 15       | 19       |              |          | 23       | 24321-000750 | 14       | 31       |
| 129927-49610 | 10       | 38       | 129940-77280 | 15       | 20       |              | 14       | 21       | 24341-000480 | 12       | 26       |
| 129927-49620 | 10       | 42       | 129944-01500 | 2        | 3        |              | 18       | 24       | 24341-000530 | 8        | 10       |
| 129927-51250 | 11       | 136      | 129951-01740 | 2        | 26       | 22190-120000 | 12       | 24 -2    |              | 18       | 23       |
| 129927-51390 | 11       | 20 A     | 129953-21560 | 8        | 12       | 22190-120002 | 10       | 28       | 24351-030750 | 2        | 19       |
| 129927-51650 | 11       | 120      | 129953-25300 | 7        | 15       |              | 11       | 98       |              | 18       | 6        |
| 129927-51660 | 11       | 121      | 129953-35000 | 9        | 6        |              |          | 105      | 24356-010200 | 11       | 65       |
| 129927-51670 | 11       | 124      | 129953-44710 | 10       | 16       |              |          | 130      |              | 110      | 110      |
| 129927-53300 | 13       | 10       | 129957-59120 | 14       | 6        |              | 12       | 24 -1    | 24356-020210 | 11       | 111      |
| 129927-59550 | 14       | 16       | 129960-21640 | 8        | 9        |              | 18       | 28       | 24356-190200 | 11       | 65 -1    |
| 129927-59810 | 13       | 32       | 129960-21930 | 8        | 10 -1    |              | 11       | 99       |              | 110      | -1       |

## Parts No. Index

| Parts No.    | Fig. No. | Ref. No. |
|--------------|----------|----------|
| 24356-240210 | 11       | 111 -1   |
| 24372-000150 | 11       | 66       |
| 25153-004400 | 10       | 15       |
| 26014-080252 | 16       | 13       |
| 26106-060102 | 11       | 112      |
| 26106-060122 | 4        | 66       |
|              | 11       | 132      |
| 26106-060162 | 12       | 29       |
| 26106-060202 | 10       | 30       |
| 26106-060252 | 12       | 27       |
| 26106-060302 | 10       | 12       |
| 26106-060352 | 11       | 113      |
| 26106-080122 | 3        | 11       |
|              | 9        | 11       |
|              |          | 22       |
|              |          | 24       |
|              | 10       | 33       |
| 26106-080142 | 7        | 8 -1     |
| 26106-080162 | 2        | 20       |
|              |          | 36       |
|              | 4        | 3        |
|              | 7        | 8        |
|              | 9        | 12       |
| 26106-080202 | 2        | 21       |
|              |          | 27       |
|              | 6        | 12       |
|              | 11       | 137      |
| 26106-080252 | 12       | 28       |
|              | 16       | 15       |
| 26106-080302 | 11       | 138      |
|              | 14       | 3        |
| 26106-080402 | 2        | 37       |
|              | 4        | 47       |
|              | 5        | 11       |
| 26106-080452 | 2        | 22       |
|              |          | 28       |
|              | 5        | 5        |
| 26106-080552 | 7        | 14       |
|              | 10       | 13       |
| 26106-080602 | 4        | 48       |
|              |          | 49       |
|              | 10       | 34       |
| 26106-080652 | 10       | 18 -1    |
| 26106-080702 | 2        | 35 -1    |
| 26106-080752 | 2        | 29       |
| 26106-080802 | 5        | 6        |
|              | 10       | 18       |
| 26106-080902 | 5        | 12       |
| 26106-100302 | 6        | 18       |
|              |          | 23       |

| Parts No.    | Fig. No. | Ref. No. |
|--------------|----------|----------|
| 26106-100952 | 6        | 24       |
| 26106-120252 | 15       | 31 -1    |
| 26116-101202 | 16       | 9        |
| 26116-120252 | 15       | 31       |
| 26206-100352 | 3        | 4        |
| 26206-100702 | 3        | 5        |
| 26216-060202 | 5        | 4        |
| 26216-080402 | 6        | 13       |
| 26216-100302 | 2        | 15       |
| 26226-080222 | 4        | 46       |
| 26306-080002 | 4        | 50       |
|              | 6        | 8        |
|              |          | 14       |
|              |          | 15       |
|              |          | 19       |
| 26306-100002 | 2        | 23       |
|              | 16       | 10       |
| 26366-060002 | 13       | 36       |
| 26450-100452 | 11       | 116      |
| 26716-050002 | 11       | 133      |
| 26776-180002 | 11       | 117      |
| 27241-160000 | 11       | 134      |
| 27241-300000 | 1        | 14       |
| 27241-400000 | 4        | 11       |
| 27310-070001 | 4        | 23       |
| 729900-02801 | 1        | 29       |
| 729907-01559 | 2        | 30       |
| 729927-01560 | 1        | 1        |
| 729927-22900 | 8        | 32       |
| 729927-22950 | 8        | 34       |
| 729927-53300 | 13       | 1        |
| 729927-92670 | 18       | 1        |
| 729938-51360 | 11       | 1        |
| 977770-1207F | 18       | 35       |
| X2240610100  | 15       | 23       |

| Parts No. | Fig. No. | Ref. No. |
|-----------|----------|----------|
|-----------|----------|----------|

| Parts No. | Fig. No. | Ref. No. |
|-----------|----------|----------|
|-----------|----------|----------|