

0CW10-M62500EN

# P R E F A C E

1. This parts catalog is the 1st edition of 4TNV98-ZPLYW for LIUGONG.

Pub.No. : 0CW10-G62500

Published : August, 2010

2. Model name

Engine model	Vehicle	Vehicle made by
4TNV98-ZPLYW	WHEEL LOADER	LIUGONG

## Directions for the Parts Catalog.

1. The parts stipulated in this Parts Catalog are not necessarily standard equipped parts.
2. Parts may change without prior notice.
3. The following is an example of the Parts Catalog format.

REF.	LEV.	PARTS NO.	DESCRIPTION	Q'TY						I	R
				(A)	(B)	(C)	(D)	(E)	(F)		
1	1	729595-51390	FUEL INJECTION PUMP	1	1	1	1	1			1
1-1	1	729595-51391	FUEL INJECTION PUMP	1	1	1	1	1		N	1
		(A=E00185) (B=E00200)									
3	2	26022-060162	SCREW M 6X 16	9	9	9	9	9			
3-1	2	26022-060162	SCREW M 6X 16	4	4	4	4	4		K	
		(A=E00156) (B=E00156) (C=E00156) (D=E00156) (E=E00156)									
4	2	129470-51040	CAMSHAFT	1	1	1	1	1			
5	2	122710-51050	BEARING, ROLLER	2	2	2	2	2			
6	2	129470-51060	RETAINER	1	1	1	1	1			

Remarks
(1) BOOST COMPEMSATOR TYPE. OPTIONAL PART, TO E00155,(4JH-DT, 4JH-DTZ

### ① Ref. No.

The Ref. No. listed may not be in accordance with the illustration Ref. No.

(Ex.) Illustration No.

List Ref No.

1 1 (Before change) → 1-1 (After change)

For interchangeable symbols N, R and K, illustrations for new parts may be abbreviated.

### ② Lev. (Level)

Level indication

The numbers below indicate the level of relativity towards the main part.

1 ---- Main parts (Assembly parts)

2 ---- Sub component included in " 1 ".

3 ---- Sub component included in " 2 ".

Note) Parts that are not for sale are partially illustrated but not listed.

### ③ Interchangeability Mark

When a part change takes place, one of the following interchangeability symbols is indicated beside the part.

Symbol	Interchangeability	Contents note
N	Old $\begin{matrix} \leftarrow \text{Yes} \\ \text{No} \rightarrow \end{matrix}$ New	New Part is interchangeable for Old Part but Old Part is not interchangeable for New Part.
Q	Old $\begin{matrix} \leftarrow \text{No} \\ \text{Yes} \rightarrow \end{matrix}$ New	New Part is not interchangeable for Old Part but Old Part is interchangeable for New Part.
R	Old $\begin{matrix} \leftarrow \text{Yes} \\ \text{Yes} \rightarrow \end{matrix}$ New	New/ Old Parts are both interchangeable.
S	Old $\begin{matrix} \leftarrow \text{No} \\ \text{No} \rightarrow \end{matrix}$ New	New/ Old Parts are both not interchangeable.
W		Part newly added.
Z		Part discontinued.
F		Not interchangeable by a single part but interchangeable together with related parts.
K		Changes only for used parts quantities.

### ④ Effective Machine No.

When a part changes, the effective Machine No. will be indicated in the (A)-(F) column.

Product Symbol	Product No.	Product Symbol	Product No.
C	Clutch No. Compressor No.	F	Machine No. (Agricultural Equip.)
D	Drive No.	M	Machine No.
E	Engine No.		

Note 1) A date may follow the symbol. (Ex.) 1996.01

Note 2) "XXXXX" and "ZZZZZ" are for parts that could not be predicted or for engine models that could not be identified.

Note 3) (A=E00185) is the E (Engine Serial Number) for the column (A) model (in this case 4JH-DT) after the parts design change.

### ⑤ Remarks Mark

Figures or alphabets (symbols) are entered in the remarks column.

The comments (remarks) on parts that are indicated at the bottom of the illustration are the same symbols as those stated above.

## Contents

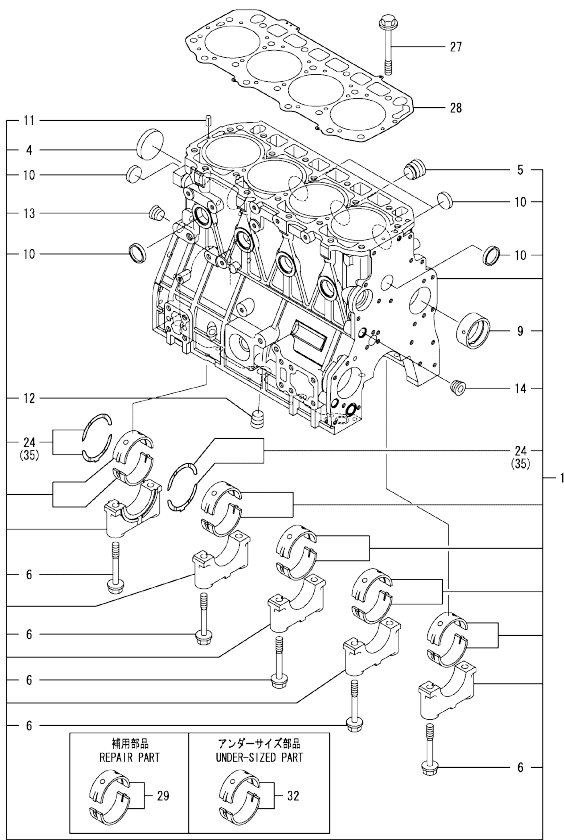
0CW10-M62500

Fig. No.	Fig. Name	Fig. No.	Fig. Name
4	TNV98-ZPLYW		
1.	CYLINDER BLOCK		
2.	GEAR HOUSING		
3.	FLYWHEEL HOUSING & OIL SUMP		
4.	CYLINDER HEAD & BONNET		
5.	SUCTION MANIFOLD & AIR CLEANER		
6.	EXHAUST MANIFOLD & SILENCER		
7.	CAMSHAFT & DRIVING GEAR		
8.	CRANKSHAFT & PISTON		
9.	LUB.OIL SYSTEM		
10.	COOLING WATER SYSTEM		
11.	FUEL INJECTION PUMP		
12.	GOVERNOR		
13.	FUEL INJECTION VALVE		
14.	FUEL LINE		
15.	STARTING MOTOR		
16.	GENERATOR		
17.	ELECTRONIC CONTROL UNIT (ECU)		
18.	ELECTRIC PARTS		
19.	ACCESSORY		
20.	(6A)EXHAUST MANIFOLD & SILENCER		

Fig.1. CYLINDER BLOCK

(A)=4TNV98-ZPLYW  
(B)=  
(C)=

(D)=  
(E)=  
(F)=

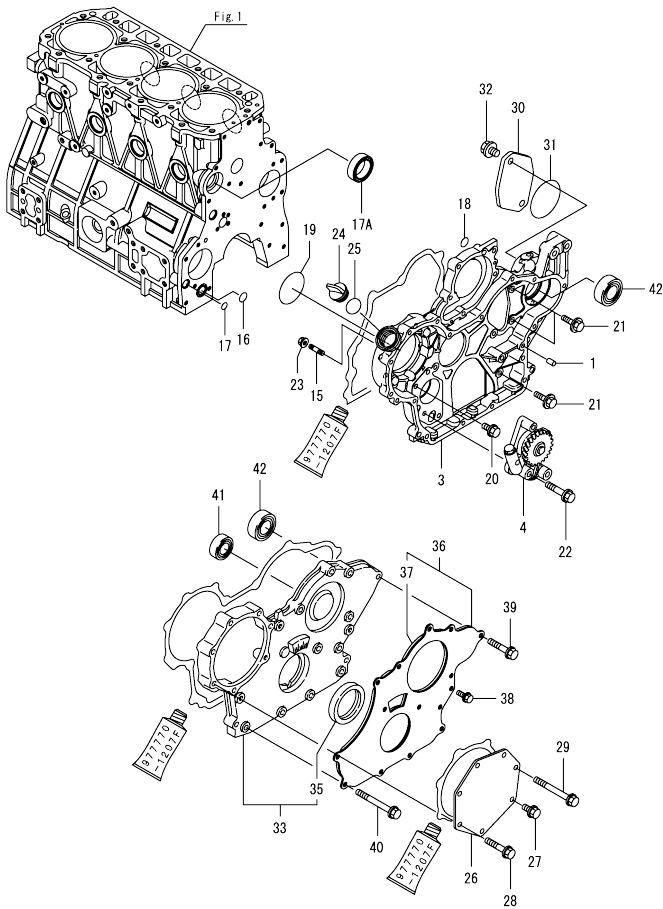


No.	Lev.	Parts No.	Description	Q'ty						I	R
				(A)	(B)	(C)	(D)	(E)	(F)		
1	1	729927-01560	BLOCK ASSY, CYLINDER	1							
4	2	129900-01250	PLUG, DISH TYPE 55	1							
5	2	171051-01921	PLUG, NPTF1	1							
6	2	129900-02020	BOLT, METAL CAP	10							
9	2	129900-02410	BUSH, CAMSHAFT	1							
10	2	27241-300000	PLUG 30	8							
11	2	22351-060012	PIN, SPRING 6.0X12	2							
12	2	23876-030000	PLUG, R03	1							
13	2	23876-030000	PLUG, R03	1							
14	2	23876-030000	PLUG, R03	1							
24	2	129900-02931	BEARING ASSY, THRUST	2							
27	1	129900-01200	BOLT, CYLINDER HEAD	18							
28	1	129907-01331	GASKET, HEAD	1							
29	1	729900-02801	BEARING, MAIN	5							1
32	1	129900-02341	BEARING ASSY, MAIN	5							2
35	1	129900-02941	BEARING, THRUST 0.25	2							3

Remarks

- (1)Repair part.
- (2)Under-sized(U.S.=0.25)part.
- (3)Over-sized(O.S.=0.25)part.

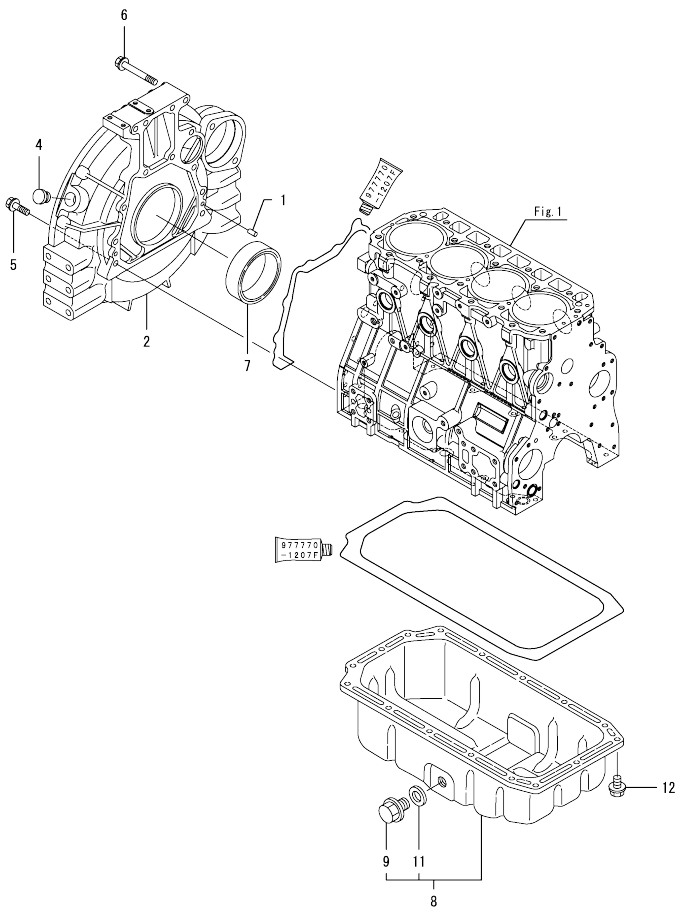
Fig.2. GEAR HOUSING



No.	Lev.	Parts No.	Description	Qty						I	R
				(A)	(B)	(C)	(D)	(E)	(F)		
1	1	129100-01580	PIN, PARALLEL 8X16	4							
3	1	129962-01500	CASE, GEAR	1							
4	1	129900-32001	PUMP ASSY, OIL	1							
15	1	26216-100302	STUD, M10X 30	4							
16	1	129900-32030	O-RING, P20	1							
17	1	129900-32040	O-RING, P14	1							
17A	1	129927-42140	GASKET, PUMP OUTLET	1							W
(A=ET3543)											
18	1	24311-000070	O-RING, 1AP7.0	1							
19	1	24351-030750	O-RING, 1A3075	1							
20	1	26106-080162	BOLT, M8X 16 PLATED	1							
21	1	26106-080202	BOLT, M8X 20 PLATED	3							
22	1	26106-080452	BOLT, M8X 45 PLATED	3							
23	1	26306-100002	NUT, M10	4							
24	1	124160-01751	CAP. FILLER	1							
25	1	24311-000320	O-RING, 1AP32.0	1							
26	1	129951-01740	COVER	1							
27	1	26106-080202	BOLT, M8X 20 PLATED	1							
28	1	26106-080452	BOLT, M8X 45 PLATED	5							
29	1	26106-080752	BOLT, M8X 75 PLATED	1							
30	1	121023-26071	COVER, PUMP	1							
31	1	24321-000850	O-RING, 1AG85.0	1							
32	1	26106-100202	BOLT, M10X 20 PLATED	2							
33	1	729907-01559	COVER ASSY,GEAR CASE	1							
35	2	129916-01800	SEAL, OIL	1							
36	1	129900-01850	COVER ASSY,GEAR CASE	1							
37	2	129900-01870	SPONGE, GEAR CASE	1							
38	1	26106-080162	BOLT, M8X 16 PLATED	3							
39	1	26106-080402	BOLT, M8X 40 PLATED	5							
40	1	26106-080702	BOLT, M8X 70 PLATED	6							
41	1	129900-14140	BEARING, BALL 6205	1							
42	1	129900-26250	BEARING, BALL 6206C3	2							

0CW10-M62500 4TNV98-ZPLYW

Fig.3. FLYWHEEL HOUSING & OIL SUMP

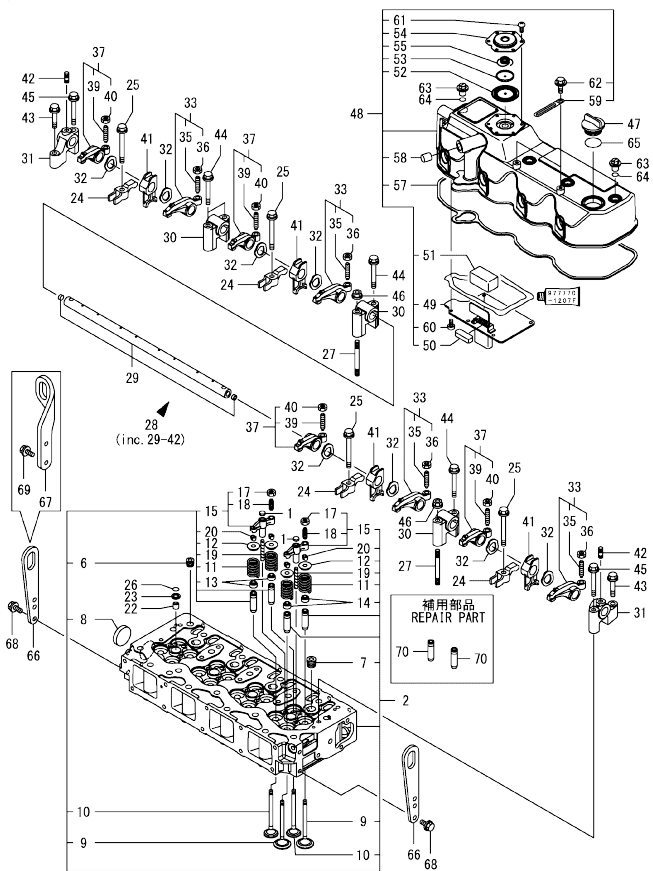


0CW10-M62500 Fig.3

No.	Lev.	Parts No.	Description	Q'ty					
				(A)	(B)	(C)	(D)	(E)	(F)
1	1	129100-01580	PIN, PARALLEL 8X16	2					
2	1	129900-01620	HOUSING, FLYWHEEL	1					
4	1	119620-01750	CAP	1					
5	1	26206-100352	BOLT, M10X 35 PLATED	9					
6	1	26206-100702	BOLT, M10X 70 PLATED	4					
7	1	129916-01790	SEAL, D115/95XT11	1					
8	1	129902-01710	OIL PAN ASSY	1					
9	2	119640-01640	PLUG, DRAIN M22	1					
11	2	22190-220002	WASHER, SEAL 22	1					
12	1	26106-080122	BOLT, M8X 12 PLATED	16					

N:Old  $\frac{100}{100}$  New, Q:Old  $\frac{100}{100}$  New, R:Old  $\frac{100}{100}$  New, S:Old  $\frac{100}{100}$  New, W:Add, Z:Discontinued, F:Interchangeable by set, K:Q'ty Change  
 Copyright (C) YANMAR GLOBAL CS CO., LTD. All Rights Reserved.

Fig.4. CYLINDER HEAD & BONNET



(A)=4TNV98-ZPLYW  
(B)=  
(C)=

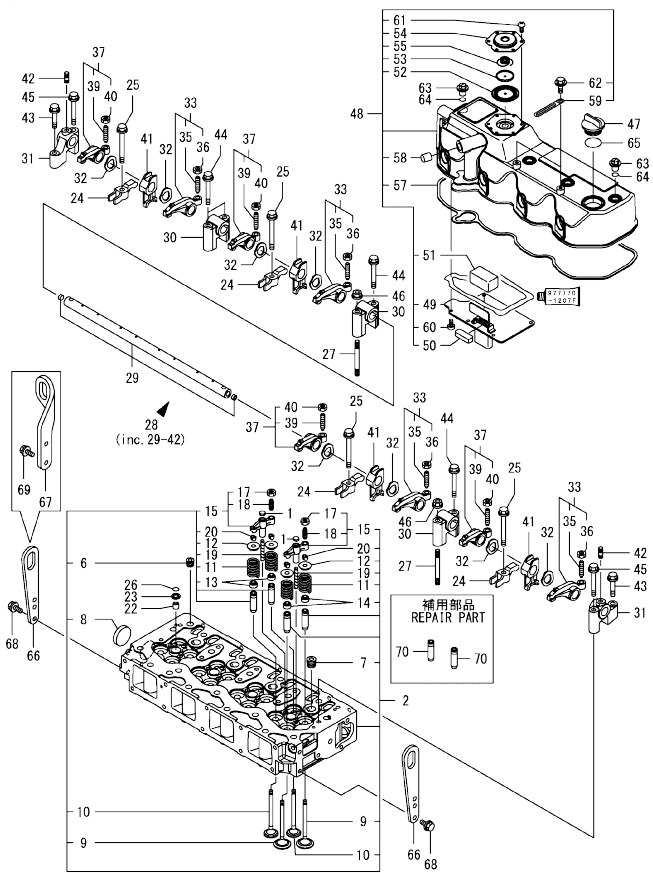
(D)=  
(E)=  
(F)=

No.	Lev.	Parts No.	Description	Q'ty						I	R
				(A)	(B)	(C)	(D)	(E)	(F)		
1	1	123907-11550	SEAT, VALVE BRIDGE	8							
2	1	129927-11700	HEAD ASSY, CYLINDER	1							
6	2	23876-020000	PLUG, R02	1							
7	2	23876-030000	PLUG, R03	4							
8	2	27241-400000	PLUG, 40	1							
9	2	129907-11100	VALVE, SUCTION	8							
10	2	129907-11110	VALVE, EXHAUST	8							
11	2	129907-11120	SPRING, VALVE	16							
12	2	119620-11180	RETAINER, SPRING	16							
13	2	119803-11340	SEAL, VALVE STEM	8							
14	2	124160-11340	SEAL, VALVE STEM	8							
15	2	129907-11510	BRIDGE ASSY, VALVE	8							
17	3	129150-11750	NUT, M8	8							
18	3	123907-11830	ADJUSTER	8							
19	2	123907-11820	GUIDE, BRIDGE	8							
20	2	27310-070001	COTTER, 7	16							
22	1	119802-11870	PROTECTOR, NOZZLE	4							
23	1	119625-11880	SEAT, NOZZLE	4							
24	1	129907-11910	RETAINER, NOZZLE	4							
25	1	129907-11950	BOLT, M8X75	4							
26	1	24311-000120	O-RING, 1AP12.0	4							
27	1	119593-11301	BOLT, STUD M8X80	2							
28	1	129907-11341	SHAFT ASSY, ROCKER	1							
29	2	129907-11250	SHAFT, ROCKER ARM	1							
30	2	129907-11260	SUPPORT, ROCKER ARM	3							
31	2	129907-11270	SUPPORT, ROCKER ARM	2							
32	2	123907-11280	WASHER	8							
33	2	129907-11650	ARM ASSY, ROCKER	4							
35	3	129150-11230	SCREW, VALVE ADJUST	4							
36	3	129150-11750	NUT, M8	4							
37	2	129907-11660	ARM ASSY, ROCKER	4							
39	3	129150-11230	SCREW, VALVE ADJUST	4							
40	3	129150-11750	NUT, M8	4							
41	2	129907-11920	RETAINER, NOZZLE	4							
42	2	26226-080222	STUD, M8X 22	2							
43	1	26106-080402	BOLT, M8X 40 PLATED	2							
44	1	26106-080602	BOLT, M8X 60 PLATED	4							
45	1	26106-080602	BOLT, M8X 60 PLATED	2							
46	1	26306-080002	NUT, M8	2							
47	1	124160-01751	CAP, FILLER	1							
48	1	129927-11320	BONNET ASSY, HEAD	1							
49	2	129907-03011	PLATE, BAFFLE	1							
50	2	129907-03061	BAFFLE, BREATHER	1							
51	2	129907-03070	BAFFLE, BREATHER	1							
52	2	123907-03100	DIAPHRAGM	1							
53	2	123907-03110	PLATE	1							
54	2	123907-03120	PLATE, BREATHER	1							
55	2	123907-03140	SPRING, DIAPHRAGM	1							
57	2	129933-11310	GASKET, BONNET	1							
58	2	119640-61400	PLUG	1							
59	2	175339-79700	CLIP	2							

Remarks  
(1)Repair part.



Fig.4. CYLINDER HEAD & BONNET



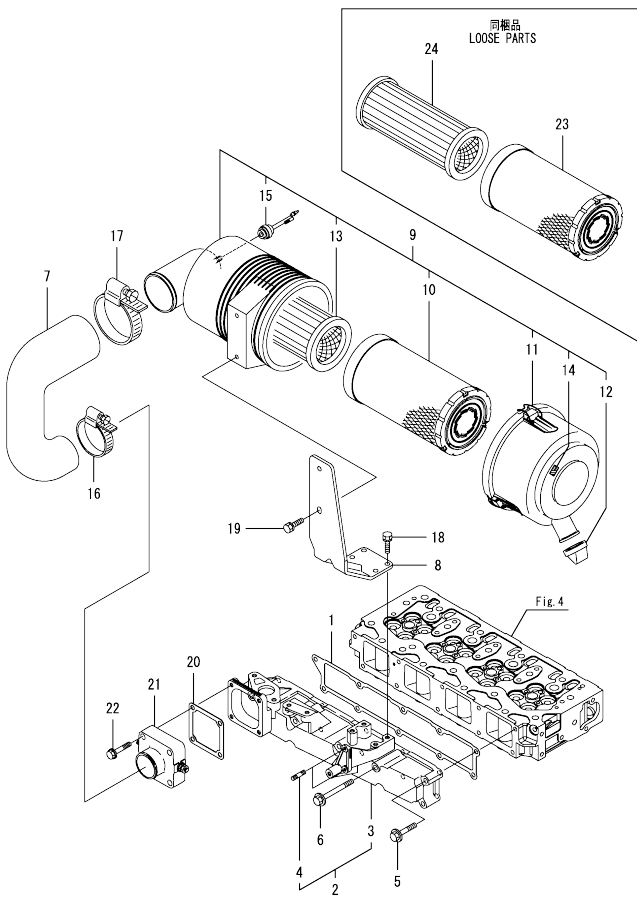
(A)=4TNV98-ZPLYW  
(B)=  
(C)=

(D)=  
(E)=  
(F)=

No.	Lev.	Parts No.	Description	Q'ty						I	R
				(A)	(B)	(C)	(D)	(E)	(F)		
60	2	22857-500100	SCREW, 5X10	6							
61	2	22857-500100	SCREW, 5X10	6							
62	2	26106-060122	BOLT, M6X 12 PLATED	2							
63	1	124160-11360	KNOB	4							
64	1	24311-000120	O-RING, 1AP12.0	4							
65	1	24311-000320	O-RING, 1AP32.0	1							
66	1	129900-07900	LIFTER, ENGINE	1							
66-1	1	129900-07900	LIFTER, ENGINE	2							K
		(A=EZZZZZ)									
67	1	129944-07900	LIFTER, ENGINE	1							Z
		(A=EZZZZZ)									
68	1	26106-080162	BOLT, M8X 16 PLATED	2							
68-1	1	26106-080162	BOLT, M8X 16 PLATED	4							K
		(A=EZZZZZ)									
69	1	26106-080182	BOLT, M8X 18 PLATED	2							Z
		(A=EZZZZZ)									
70	1	129907-11800	GUIDE, VALVE	16							1

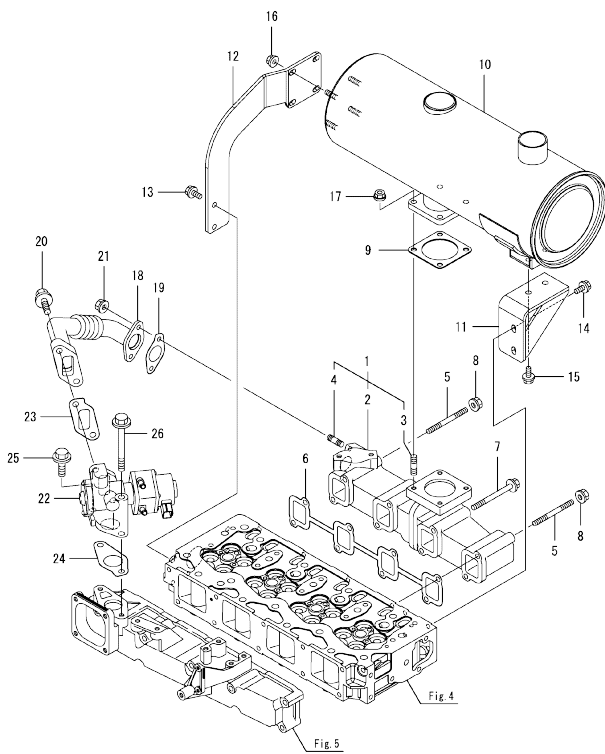
Remarks  
(1)Repair part.

Fig.5. SUCTION MANIFOLD & AIR CLEANER



No.	Lev.	Parts No.	Description	Q'ty						I	R
				(A)	(B)	(C)	(D)	(E)	(F)		
1	1	129907-12110	GASKET, MANIFOLD	1							
2	1	129927-12150	MANIFOLD ASSY,INTAKE	1							
3	2	129927-12100	MANIFOLD, AIR INTAKE	1							
4	2	26216-060202	STUD, M6X 20	2							
5	1	26106-080452	BOLT, M8X 45 PLATED	6							
6	1	26106-080802	BOLT, M8X 80 PLATED	4							
7	1	129939-12070	HOSE, AIR INTAKE	1							
8	1	129927-12560	BRACKET, CLEANER	1							
9	1	129939-12570	AIR CLEANER ASSY	1							
10	2	129935-12520	ELEMENT, OUTER	1							
11	2	119160-12530	COVER ASSY	1							
12	2	119160-12540	VALVE	1							
13	2	119160-12570	ELEMENT, INNER	1							
14	2	129612-12650	LABEL, MARKING	1							
15	2	119140-12680	INDICATOR, CLEANER	1							
16	1	23000-080000	CLAMP, 80	1							
17	1	23000-102000	CLAMP, 102	1							
18	1	26013-080222	BOLT, SPRING M8X 22	4							
19	1	26013-080222	BOLT, SPRING M8X 22	2							
20	1	121850-77021	GASKET, AIR HEATER	1							
21	1	129915-77051	HEATER, AIR 12V	1							
22	1	26106-080352	BOLT, M8X 35 PLATED	4							
23	1	129935-12520	ELEMENT, OUTER	1							
24	1	119160-12570	ELEMENT, INNER	1							

Fig.6. EXHAUST MANIFOLD & SILENCER



(A)=4TNV98-ZPLYW  
(B)=  
(C)=

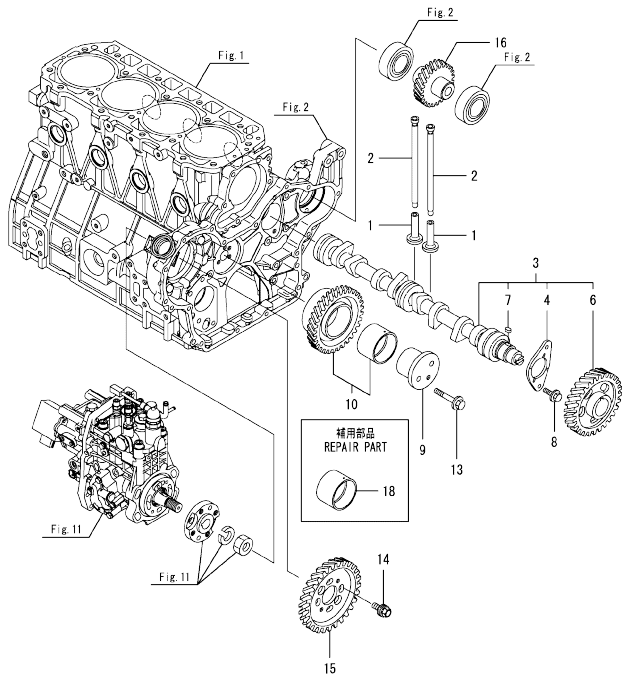
(D)=  
(E)=  
(F)=

No.	Lev.	Parts No.	Description	Q'ty						I	R
				(A)	(B)	(C)	(D)	(E)	(F)		
1	1	129927-13150	MANIFOLD ASSY, EXH.	1							
2	2	129927-13100	MANIFOLD, EXHAUST	1							
3	2	119131-18320	BOLT, STUD M8X22	4							
4	2	129418-18320	BOLT, STUD M8X20	2							
5	1	129263-13210	BOLT, STUD M8X90	2							
6	1	129900-13251	GASKET, EXH.MANIFOLD	1							
7	1	119802-13680	BOLT, M8X90 10.9T	6							
8	1	26306-080002	NUT, M8	2							
9	1	129400-13201	GASKET, SILENCER	1							
10	1	129944-13510	SILENCER	1							
11	1	129908-13650	STAY, SILENCER	1							
12	1	129944-13650	STAY, SILENCER	1							
13	1	26106-080162	BOLT, M8X 16 PLATED	2							
14	1	26106-080162	BOLT, M8X 16 PLATED	2							
15	1	26106-080202	BOLT, M8X 20 PLATED	2							
16	1	26306-080002	NUT, M8	4							
17	1	26306-080002	NUT, M8	4							
18	1	129927-13800	PIPE ASSY, EGR	1							
19	1	129927-13810	GASKET	1							
20	1	26106-100302	BOLT, M10X 30 PLATED	2							
21	1	26306-080002	NUT, M8	2							
22	1	129928-13900	VALVE, EGR	1							
23	1	129927-13910	GASKET, EGR	1							
24	1	129927-13920	GASKET, EGR	1							
25	1	26106-100302	BOLT, M10X 30 PLATED	1							
26	1	26106-100952	BOLT, M10X 95 PLATED	1							

Remarks

\*This item is applicable to [(A)=EZZZZZ-1] or previous machines. Refer to Fig.20.

Fig.7. CAMSHAFT & DRIVING GEAR



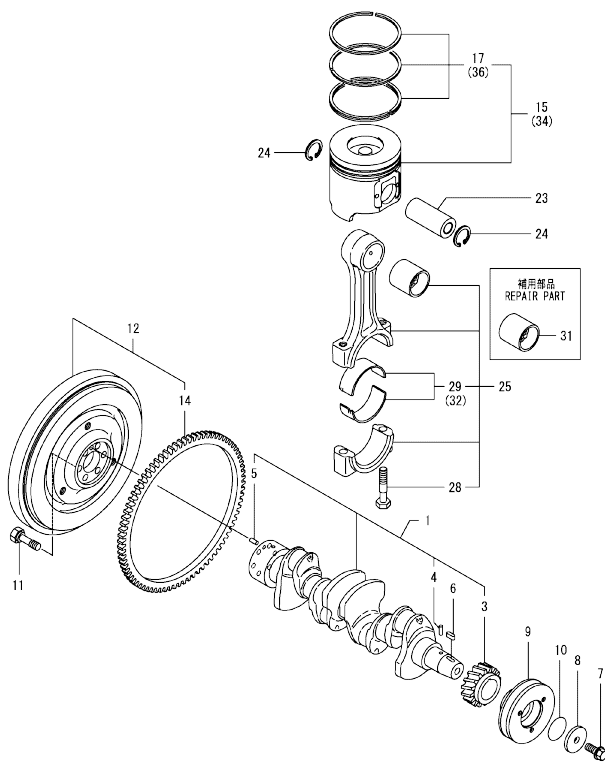
(A)=4TNV98-ZPLYW  
(B)=  
(C)=

(D)=  
(E)=  
(F)=

No.	Lev.	Parts No.	Description	Q'ty						I	R
				(A)	(B)	(C)	(D)	(E)	(F)		
1	1	129150-14200	TAPPET	8							
2	1	129907-14400	PUSH-ROD	8							
3	1	129908-14590	CAMSHAFT ASSY	1							
4	2	129150-02450	BEARING, THRUST	1							
6	2	129900-14110	GEAR, CAMSHAFT	1							
7	2	22512-070140	KEY, 7X 14	1							
8	1	26106-080162	BOLT, M8X 16 PLATED	2							
9	1	123900-25060	SHAFT, IDLE GEAR	1							
10	1	129900-25110	GEAR ASSY, IDLE	1							
13	1	26106-080552	BOLT, M8X 55 PLATED	3							
14	1	129953-25300	BOLT	4							
15	1	129907-25900	GEAR, PUMP	1							
16	1	129900-26030	GEAR ASSY, PUMP	1							
18	1	129150-25920	BUSH, IDLE GEAR	1							1

Remarks  
(1)Repair part.

Fig.8. CRANKSHAFT & PISTON



(A)=4TNV98-ZPLYW  
(B)=  
(C)=

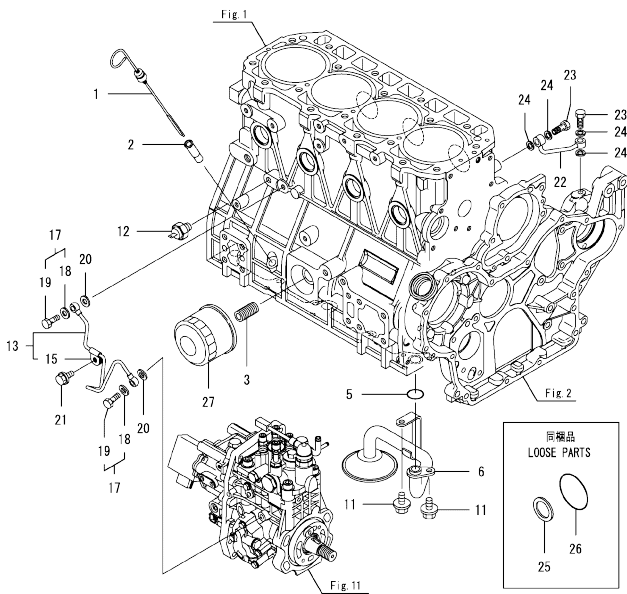
(D)=  
(E)=  
(F)=

No.	Lev.	Parts No.	Description	Q'ty						I	R
				(A)	(B)	(C)	(D)	(E)	(F)		
1	1	129902-21050	CRANKSHAFT ASSY	1							
3	2	129900-21220	GEAR, CRANKSHAFT	1							
4	2	121850-21290	PIN	1							
5	2	121850-21920	PIN, PARALLEL 10X22	1							
6	1	22512-070140	KEY, 7X 14	1							
7	1	129916-21610	BOLT	1							
8	1	129960-21640	WASHER	1							
9	1	129907-21650	V-PULLEY, CRANK 130	1							
10	1	24341-000530	O-RING, 1AS53.0	1							
11	1	121850-21130	BOLT, FLYWHEEL	6							
12	1	129953-21570	FLYWHEEL ASSY	1							
14	2	129900-21600	GEAR, RING	1							
15	1	129927-22080	PISTON ASSY	4							
17	2	129927-22050	RING SET, PISTON	4							
23	1	120130-22301	PIN, PISTON	4							
24	1	22252-000300	RING, 30	8							
25	1	129900-23001	ROD ASSY, CONNECTING	4							
28	2	129900-23200	BOLT, CONNECTING ROD	8							
29	2	129900-23601	BEARING, CRANK PIN	4							
31	1	129900-23911	BEARING, PISTON PIN	4							1
32	1	129900-23611	BEARING ASSY, 0.25US	4							2
34	1	729927-22900	PISTON ASSY, 0.25 OS	4							3
36	2	729927-22950	RING SET, 0.25 OS	4							3

Remarks  
(1)Repair part.  
(2)Under-sized(U.S.=0.25)part.  
(3)Over-sized(O.S.=0.25)part.

0CW10-M62500 4TNV98-ZPLYW  
 Fig.9. LUB.OIL SYSTEM

0CW10-M62500 Fig.9



(A)=4TNV98-ZPLYW  
 (B)=  
 (C)=

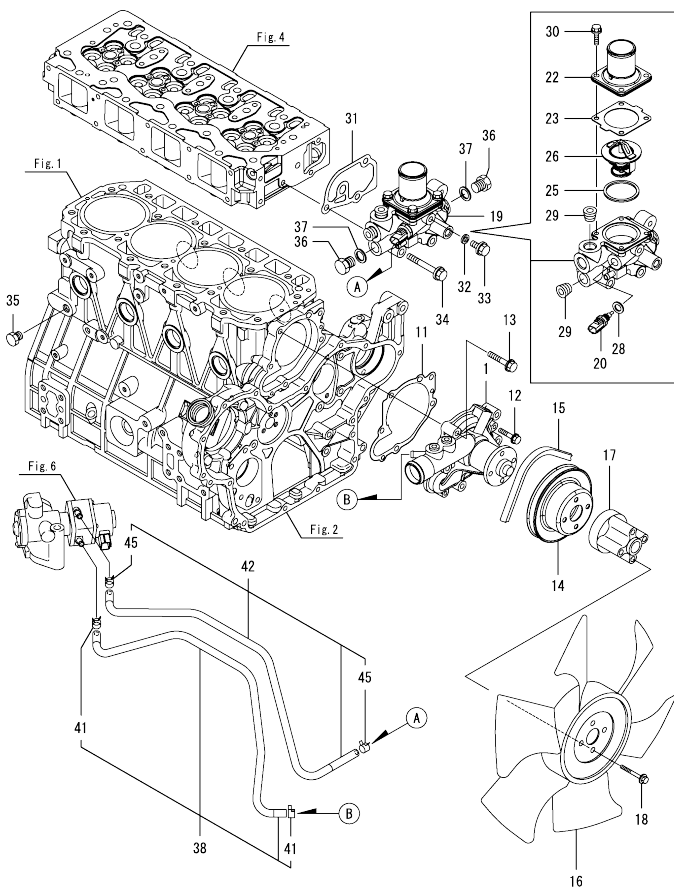
(D)=  
 (E)=  
 (F)=

No.	Lev.	Parts No.	Description	Q'ty						I	R
				(A)	(B)	(C)	(D)	(E)	(F)		
1	1	129900-34800	DIPSTICK	1							
2	1	121520-34810	GUIDE, DIPSTICK	1							
3	1	119000-35140	BOLT, STUD FILTER	1							
5	1	129900-32030	O-RING, P20	1							
6	1	129900-35000	PIPE ASSY, OIL INLET	1							
11	1	26106-080122	BOLT, M8X 12 PLATED	2							
12	1	119761-39450	SWITCH, HYDRAULIC	1							
13	1	129927-39060	PIPE ASSY, OIL	1							
15	2	123907-39500	RETAINER, PIPE	1							
17	1	129005-59830	BOLT ASSY, JOINT M8	2							
18	2	22190-080002	WASHER, SEAL 6	2							
19	2	23857-030000	BOLT, JOINT 3	2							
20	1	22190-080002	WASHER, SEAL 6	2							
21	1	26106-080122	BOLT, M8X 12 PLATED	1							
22	1	129930-39050	PIPE, OIL	1							
23	1	105010-39140	BOLT, PIPE JOINT	2							
24	1	22190-080002	WASHER, SEAL 6	4							
25	1	22190-300002	WASHER, SEAL 30	1							
26	1	24321-000600	O-RING, 1AG60.0	1							
27	1	129150-35153	FILTER ASSY, D80X80L	1							1

Remarks  
 (1)Repair part.

N:Old  $\frac{100}{100}$  New, Q:Old  $\frac{100}{100}$  New, R:Old  $\frac{100}{100}$  New, S:Old  $\frac{100}{100}$  New, W:Add, Z:Discontinued, F:Interchangeable by set, K:Qty Change  
 Copyright (C) YANMAR GLOBAL CS CO., LTD. All Rights Reserved.

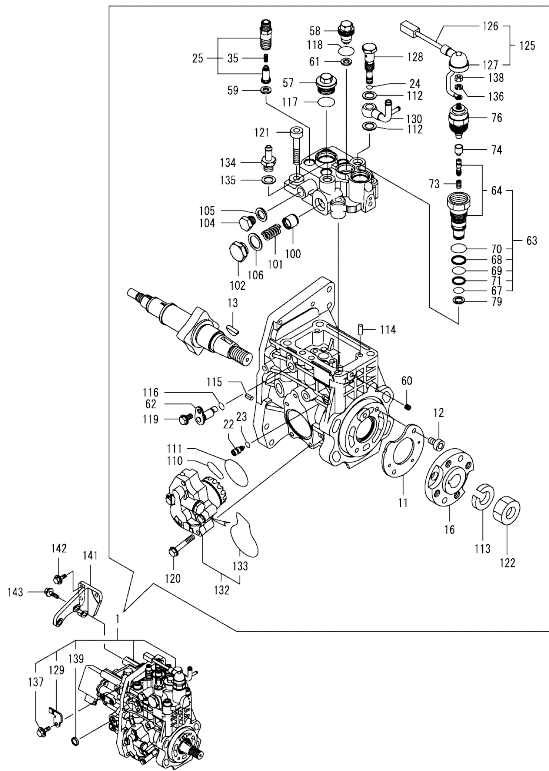
Fig.10. COOLING WATER SYSTEM



No.	Lev.	Parts No.	Description	Q'ty						I	R
				(A)	(B)	(C)	(D)	(E)	(F)		
1	1	129927-42000	PUMP ASSY, WATER	1							
11	1	129900-42020	GASKET, WATER PUMP	1							
12	1	26106-060302	BOLT, M6X 30 PLATED	2							
13	1	26106-080552	BOLT, M8X 55 PLATED	5							
14	1	129900-42450	V-PULLEY, C.W.PUMP	1							
15	1	129940-42290	V-BELT, A42.5	1							
16	1	129916-44740	FAN, COOLING D=430	1							
17	1	119117-44760	SPACER, FAN	1							
18	1	26106-080802	BOLT, M8X 80 PLATED	4							
19	1	129927-49800	CASE ASSY, THERMOSTAT	1							
20	2	129927-44900	SENSOR, WATER TEMP.	1							
22	2	129916-49530	COVER, THERMOSTAT	1							
23	2	121850-49540	GASKET, THERMOSTAT	1							
25	2	121850-49550	GASKET, THERMOSTAT	1							
26	2	121850-49810	THERMOSTAT, 71C	1							
28	2	22190-120002	WASHER, SEAL 12	1							
29	2	23875-030000	PLUG, R03	2							
30	2	26106-060202	BOLT, M6X 20 PLATED	4							
31	1	129900-49870	GASKET, THERMOSTAT	1							
32	1	23414-080000	GASKET, 8X1.0	1							
33	1	26106-080122	BOLT, M8X 12 PLATED	1							
34	1	26106-080602	BOLT, M8X 60 PLATED	3							
35	1	171056-49120	PLUG, DRAIN R1/4	1							
36	1	121450-42450	PLUG, M16	2							
37	1	124465-44950	GASKET, 16	2							
38	1	129927-49610	HOSE ASSY, WATER	1							
41	2	23080-012000	CLAMP, 12	2							
42	1	129927-49620	HOSE ASSY, WATER	1							
45	2	23080-012000	CLAMP, 12	2							

N:Old  $\frac{New}{Old}$  New, Q:Old  $\frac{New}{Old}$  New, R:Old  $\frac{New}{Old}$  New, S:Old  $\frac{New}{Old}$  New, W:Add, Z:Discontinued, F:Interchangeable by set, K:Qty Change  
 Copyright (C) YANMAR GLOBAL CS CO., LTD. All Rights Reserved.

Fig.11. FUEL INJECTION PUMP



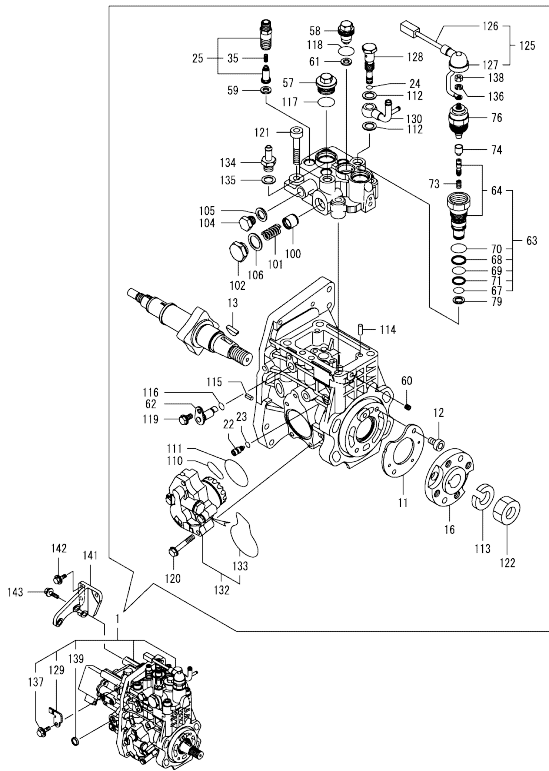
Remarks

(1)Governor(Fig.12)is incorporated in this Fuel Injection Pump (Ref.1).  
 (1)Eco Pump  
 Make sure to update the engines ECU information when replacing the Eco Pump.  
 Failing to do so will result in engine malfunction.

No.	Lev.	Parts No.	Description	Q'ty						I	R
				(A)	(B)	(C)	(D)	(E)	(F)		
1	1	729927-51320	PUMP ASSY, INJECTION	1							1
11	2	129928-51900	COVER	1							
12	2	129008-51920	BOLT, SOCKET M6X10	2							
13	2	144626-51090	FEATHER KEY, 5X19	1							
16	2	158563-51150	FLANGE	1							
22	2	158600-51270	STOPPER, TAPPET	1							
23	2	158563-51281	O-RING, 4D S6	1							
24	2	158563-51281	O-RING, 4D S6	1							
25	2	129927-51390	VALVE ASSY, DELIVERY	4							
35	3	158563-51330	SPRING, DELIVERY	4							
57	2	158601-51550	PLUG, M22	1							
58	2	129907-51560	PLUG, M16	1							
59	2	158552-51571	GASKET, PLUG	4							
60	2	158557-51570	PLUG, RACK	1							
61	2	129906-51580	GASKET, PLUG	1							
62	2	158552-51580	LIFTER, LINK	1							
63	2	129657-51590	TIMER ASSY	1							
64	3	129657-51600	TIMER ASSY	1							
67	3	158553-51670	O-RING	1							
68	3	119802-51680	RING, BACKUP	1							
69	3	119802-51690	O-RING	1							
70	3	24356-190200	O-RING, 4D19020	1							
71	3	24372-000150	RING, BACK UP T2P15	1							
73	2	119852-51630	SPRING, TIMER	1							
74	2	119852-51640	CAP, TIMER	1							
76	2	119852-51650	VALVE ASSY, SOLENOID	1							
79	2	158553-51680	GASKET, TIMER	1							
100	2	158601-51770	PISTON, ACCUMULATOR	1							
101	2	158552-51781	SPRING, ACCUMULATOR	1							
102	2	158601-51790	PLUG	1							
104	2	158553-51930	PLUG, M12	1							
105	2	22190-120002	WASHER, SEAL 12	1							
106	2	22190-180002	WASHER, SEAL 18	1							
110	2	158552-52311	O-RING	1							
111	2	158552-52400	O-RING, 4E S42	1							
112	2	22190-120002	WASHER, SEAL 12	2							
113	2	22217-180000	WASHER, SPRING 18	1							
114	2	22312-050140	PIN, PARALLEL M5X14	2							
115	2	22351-050010	PIN, SPRING 5.0X10	2							
116	2	24311-000070	O-RING, 1AP7.0	1							
117	2	24356-190200	O-RING, 4D19020	1							
118	2	24356-240210	O-RING, 4D24021	1							
119	2	26106-060102	BOLT, M6X 10 PLATED	1							
120	2	26106-060352	BOLT, M6X 35 PLATED	4							
121	2	26450-100452	BOLT, M10X 45	4							
122	2	26776-180002	NUT, LOCK M18	1							
125	2	129927-51650	HARNES ASSY, WIRE	1							
126	3	129927-51660	HARNES	1							
127	3	129263-77941	CAP, RUBBER	1							
128	2	158601-51650	JOINT, OVER FLOW	1							
129	2	129927-51670	BRACKET	1							



Fig.11. FUEL INJECTION PUMP

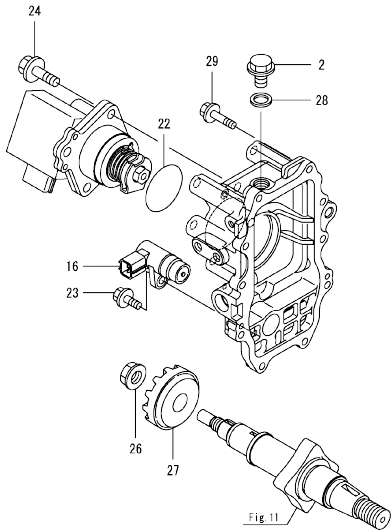


No.	Lev.	Parts No.	Description	Q'ty						I	R
				(A)	(B)	(C)	(D)	(E)	(F)		
130	2	158552-51670	JOINT, OVER FLOW	1							
132	2	158552-52100	PUMP ASSY, FUEL FEED	1							
133	3	158552-52500	O-RING	1							
134	2	119934-59910	JOINT, PIPE	1							
135	2	22190-120002	WASHER, SEAL 12	1							
136	2	22217-050000	WASHER, SPRING 5	1							
137	2	26106-060122	BOLT, M6X 12 PLATED	1							
138	2	26716-050002	NUT, M5	1							
139	2	27241-160000	PLUG, 16	1							
141	1	129927-51250	RETAINER, PUMP	1							
142	1	26106-080202	BOLT, M8X 20 PLATED	3							
143	1	26106-080302	BOLT, M8X 30 PLATED	3							

Remarks  
 (1)Governor(Fig.12)is incorporated in this Fuel Injection Pump (Ref.1).  
 (1)Eco Pump  
 Make sure to update the engines ECU information when replacing the Eco Pump.  
 Failing to do so will result in engine malfunction.

0CW10-M62500 4TNV98-ZPLYW  
 Fig.12. GOVERNOR

0CW10-M62500 Fig.12



(A)=4TNV98-ZPLYW  
 (B)=  
 (C)=

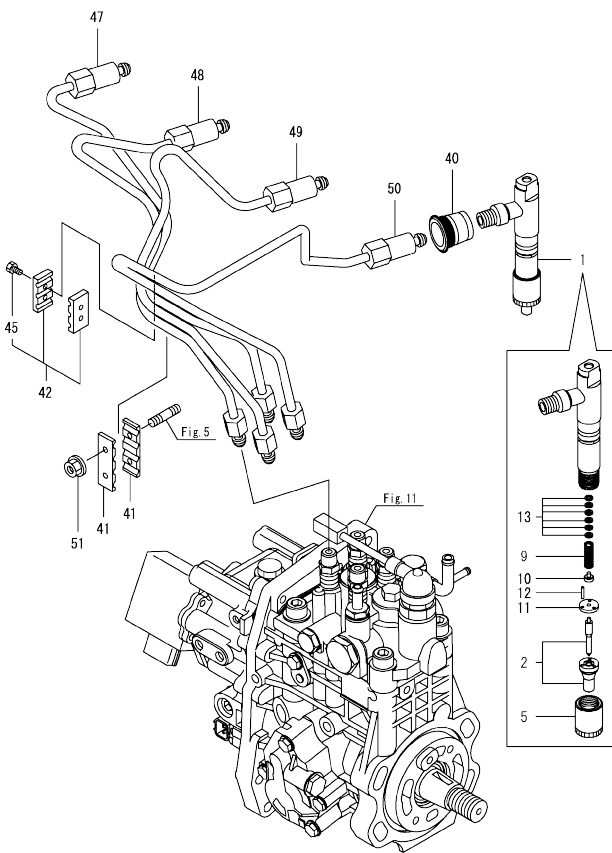
(D)=  
 (E)=  
 (F)=

No.	Lev.	Parts No.	Description	Q'ty					
				(A)	(B)	(C)	(D)	(E)	(F)
2	2	158553-51930	PLUG, M12	1					
16	2	158557-61720	SENSOR	1					
22	2	24341-000480	O-RING, 1AS48.0	1					
23	2	26106-060162	BOLT, M6X 16 PLATED	1					
24	2	26106-080252	BOLT, M8X 25 PLATED	3					
26	2	129008-61301	NUT	1					
27	2	158553-61780	GEAR, SENSOR	1					
28	2	22190-120002	WASHER, SEAL 12	1					
29	2	26106-060252	BOLT, M6X 25 PLATED	10					

Remarks  
 \*This figure(Governor)is incorporated  
 in the Fuel Injection Pump (Fig.11).

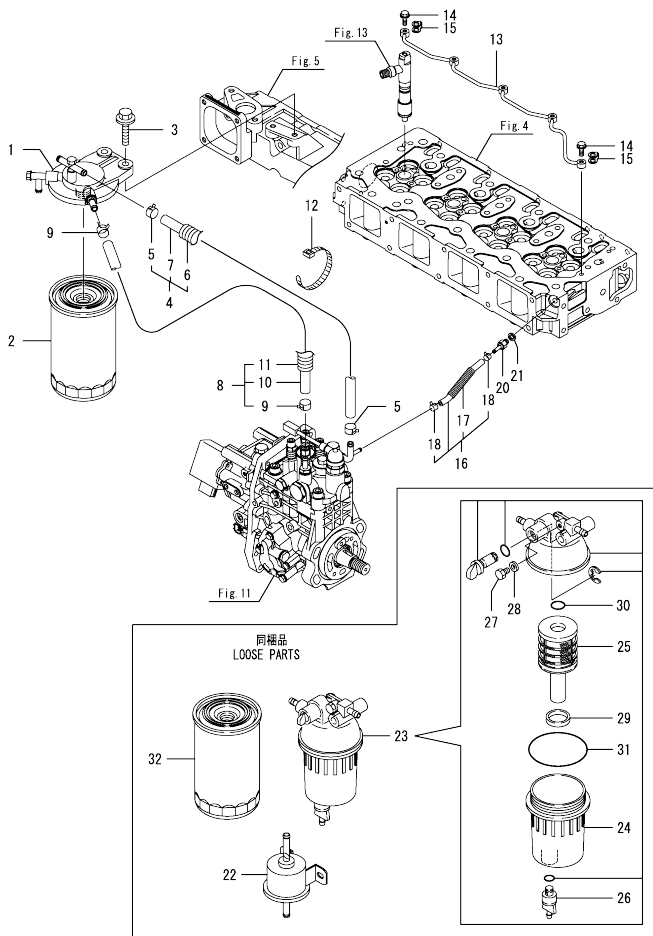
N:Old  $\frac{100}{100}$  New, Q:Old  $\frac{100}{100}$  New, R:Old  $\frac{100}{100}$  New, S:Old  $\frac{100}{100}$  New, W:Add, Z:Discontinued, F:Interchangeable by set, K:Q'ty Change  
 Copyright (C) YANMAR GLOBAL CS CO., LTD. All Rights Reserved.

Fig.13. FUEL INJECTION VALVE



No.	Lev.	Parts No.	Description	Q'ty						I	R
				(A)	(B)	(C)	(D)	(E)	(F)		
1	1	729927-53100	FUEL INJECTOR ASSY	4							
2	2	129927-53000	NOZZLE ASSY, F.I.	4							
5	2	114250-53080	NUT, NOZZLE	4							
9	2	114250-53120	SPRING, NOZZLE	4							
10	2	114250-53130	SEAT, SPRING	4							
11	2	114250-53140	SPACER	4							
12	2	114250-53210	PIN	8							
13	2	119803-53400	SHIM SET	4							
40	1	123907-11601	SEAL, PIPE	4							
41	1	123472-59120	RETAINER, PIPE	2							
42	1	129150-59120	RETAINER, PIPE	1							
45	2	129150-59131	BOLT, M4X14	2							
47	1	129927-59810	PIPE ASSY, INJECTION	1							
48	1	129927-59820	PIPE ASSY, INJECTION	1							
49	1	129927-59830	PIPE ASSY, INJECTION	1							
50	1	129927-59840	PIPE ASSY, INJECTION	1							
51	1	26366-060002	NUT, M6	2							

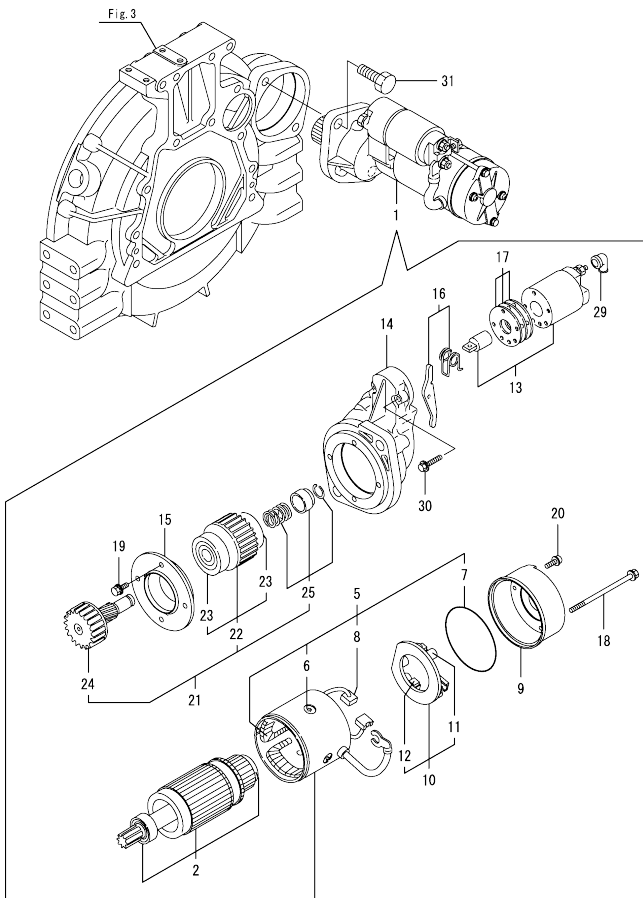
Fig.14. FUEL LINE



No.	Lev.	Parts No.	Description	Q'ty						I	R
				(A)	(B)	(C)	(D)	(E)	(F)		
1	1	129004-55612	BRACKET, FILTER	1							
2	1	129907-55801	FILTER, FUEL	1							
3	1	26106-080302	BOLT, M8X 30 PLATED	2							
4	1	129457-59010	HOSE ASSY, FUEL	1							
5	2	124766-59050	CLAMP, HOSE 11.5	2							
6	2	129957-59120	TUBE, CORRUGATED 15	1							
7	2	105025-59750	HOSE, FUEL	1							
8	1	129961-59310	HOSE ASSY, FUEL	1							
9	2	124766-59050	CLAMP, HOSE 11.5	2							
10	2	129136-59110	HOSE, D13/7.5X270	1							
11	2	129961-59110	TUBE, CORRUGATED 15	1							
12	1	121750-59890	BAND, NYLON	1							
13	1	129907-59140	PIPE ASSY, RETURN	1							
14	1	123907-59540	BOLT, PIPE JOINT M6	5							
15	1	123907-59550	GASKET	5							
16	1	129927-59550	HOSE ASSY RETURN	1							
17	2	129263-49750	TUBE, CORRUGATED	1							
18	2	124722-59050	CLAMP, HOSE 9	2							
20	1	123907-59560	JOINT, HOSE	1							
21	1	22190-080002	WASHER, SEAL 6	1							
22	1	119225-52102	PUMP, FUEL FEED	1							
23	1	129245-55700	SEPARATOR ASSY, WATER	1							
24	2	129245-55720	CUP ASSY, SEPARATOR	1							
25	2	129242-55730	ELEMENT, FUEL	1							
26	2	129242-55740	PLUG, DRAIN	1							
27	2	129242-55750	VALVE, AIR VENT	1							
28	2	129242-55760	GASKET, PLUG	1							
29	2	129242-55770	FLOAT	1							
30	2	24311-000160	O-RING, 1AP16.0	1							
31	2	24321-000750	O-RING, 1AG75.0	1							
32	1	129907-55801	FILTER, FUEL	1							

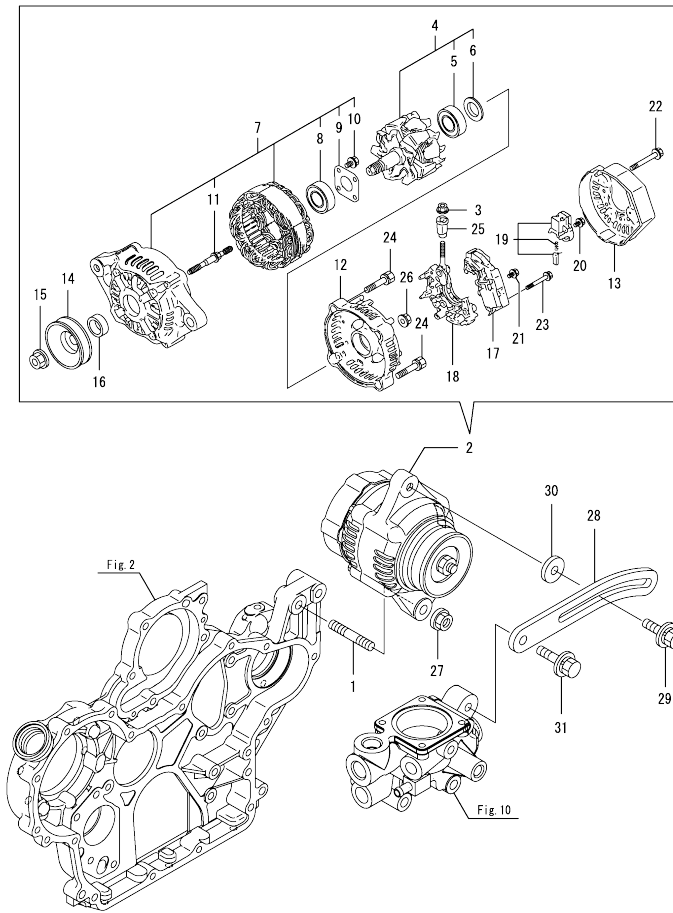
N:Old  $\frac{100}{100}$  New, Q:Old  $\frac{100}{100}$  New, R:Old  $\frac{100}{100}$  New, S:Old  $\frac{100}{100}$  New, W:Add, Z:Discontinued, F:Interchangeable by set, K:Q'ty Change  
 Copyright (C) YANMAR GLOBAL CS CO., LTD. All Rights Reserved.

Fig.15. STARTING MOTOR



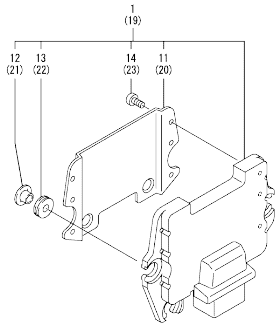
No.	Lev.	Parts No.	Description	Q'ty						I	R
				(A)	(B)	(C)	(D)	(E)	(F)		
1	1	129940-77010	STARTER ASSY	1							
2	2	129940-77100	ARMATURE ASSY	1							
5	2	129940-77130	COIL ASSY, FIELD	1							
6	3	129940-77140	SCREW, CORE SET	4							
7	3	129940-77150	O-RING	1							
8	3	129940-77160	BRUSH	2							
9	2	129940-77170	COVER	1							
10	2	129940-77180	HOLDER ASSY, BRUSH	1							
11	3	129940-77190	SPRING, BRUSH	1							
12	3	129940-77200	BRUSH	2							
13	2	129940-77210	SWITCH ASSY, MAGNET	1							
14	2	129940-77220	CASE, GEAR	1							
15	2	129940-77230	RETAINER, BEARING	1							
16	2	129940-77240	LEVER SET	1							
17	2	129940-77250	COVER KIT, DUST	1							
18	2	129940-77260	BOLT, THROUGH	2							
19	2	129940-77270	BOLT	4							
20	2	129940-77280	SCREW	2							
21	2	123900-77510	PINION ASSY	1							
22	3	123900-77520	CLUTCH ASSY	1							
23	4	X2240610100	BEARING, BALL	2							
24	3	123900-77540	SHAFT, PINION	1							
25	3	119131-77550	STOPPER SET, PINION	1							
29	2	121254-77810	COVER, TERMINAL	1							
30	2	114371-79070	BOLT	2							
31	1	26116-120252	BOLT, M12X 25 PLATED	2							

Fig.16. GENERATOR



No.	Lev.	Parts No.	Description	Q'ty						I	R
				(A)	(B)	(C)	(D)	(E)	(F)		
1	1	129795-01900	BOLT, STUD M10X33	1							
2	1	119626-77210	ALTERNATOR, 12V-55A	1							
3	2	X9490561001	NUT	1							
4	2	129052-77380	ROTOR ASSY	1							
5	3	123501-79240	BEARING, BALL	1							
6	3	119620-79250	COVER, BEARING	1							
7	2	129052-77422	FRAME ASSY	1							
8	3	119620-79200	BEARING, BALL	1							
9	3	119620-79210	RETAINER	1							
10	3	119620-79220	SCREW	4							
11	3	119620-79230	BOLT, STUD	2							
12	2	128401-77440	COVER	1							
13	2	119626-77450	FRAME	1							
14	2	119620-77461	PULLEY, GENERATOR	1							
15	2	119620-77471	NUT	1							
16	2	119620-77490	COLLAR	1							
17	2	119626-77710	REGULATOR ASSY	1							
18	2	129052-79260	HOLDER	1							
19	2	129052-79270	HOLDER, BRUSH	1							
20	2	119620-79290	SCREW	6							
21	2	119620-79300	SCREW	1							
22	2	119620-79310	BOLT	3							
23	2	119620-79320	SCREW	2							
24	2	119620-79330	BOLT	2							
25	2	119620-79340	BUSH, INSULATION	1							
26	2	119620-79350	NUT	2							
27	1	26306-100002	NUT, M10	1							
28	1	129916-77300	ADJUSTER, BELT	1							
29	1	119810-77340	BOLT, ADJUST L=30	1							
30	1	121236-77340	SPACER	1							
31	1	26014-080302	BOLT, M8X 30	1							

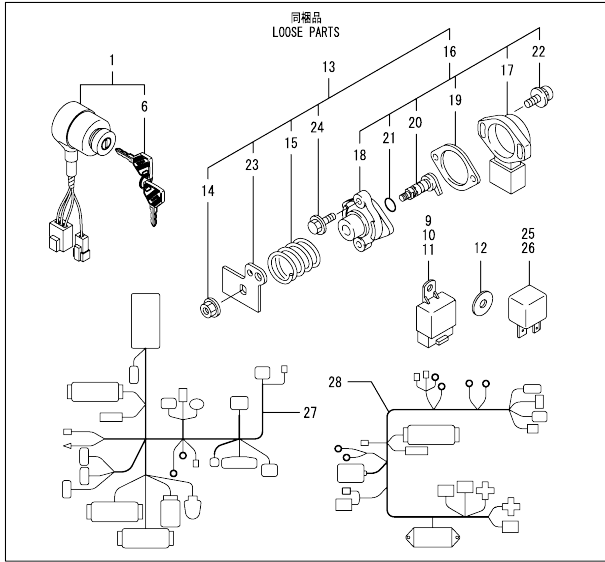
Fig.17. ELECTRONIC CONTROL UNIT (ECU)



No.	Lev.	Parts No.	Description	Q'ty						I	R
				(A)	(B)	(C)	(D)	(E)	(F)		
1	1	129922-75020	ECU ASSY	1							1
11	2	129927-77600	SHIELD, ECU	1							
12	2	129927-77680	COLLAR, CONTROL	3							
13	2	119578-91351	ABSORBER	3							
14	2	22877-500080	SCREW, 5X 8	6							
19	1	129927-75900	ECU ASSY, SERVICE	1							2
20	2	129927-77600	SHIELD, ECU	1							
21	2	129927-77680	COLLAR, CONTROL	3							
22	2	119578-91351	ABSORBER	3							
23	2	22877-500080	SCREW, 5X 8	6							

Remarks  
 (1)Eco ECU  
 This part cannot be ordered.  
 Replace the part using a Service ECU with the proper engine information installed.  
 (2)Service ECU  
 If the proper information is not installed, the engine will not operate.  
 To install proper information, go to an authorized Distributor.

Fig.18. ELECTRIC PARTS



(A)=4TNV98-ZPLYW  
(B)=  
(C)=

(D)=  
(E)=  
(F)=

No.	Lev.	Parts No.	Description	Q'ty						I	R
				(A)	(B)	(C)	(D)	(E)	(F)		
1	1	194940-52110	SWITCH, STARTING	1							
1-1	1	129902-77500 (A=E130782)	SWITCH ASSY, STARTER	1							N
6	2	198360-52160	KEY ASSY, SPARE	1							
9	1	198461-52950	RELAY, CA TYPE C	1							
10	1	198461-52950	RELAY, CA TYPE C	1							
11	1	198461-52950	RELAY, CA TYPE C	1							
12	1	129927-77690	WASHER, ECU	3							
13	1	129938-77800	SENSOR ASSY, ACCEL	1							
14	2	194990-22130	NUT, M6	1							
15	2	119060-61990	SPRING, RETURN	1							
16	2	129054-77800	SENSOR ASSY, ACCEL	1							
17	3	185100-50070	BODY	1							
18	3	129054-77811	SUPPORT, SENSOR	1							
19	3	129054-77820	GASKET	1							
20	3	129054-77830	SHAFT ASSY	1							
21	3	24311-000070	O-RING, 1AP7.0	1							
22	3	26023-040202	SCREW, M4X20	2							
23	2	129938-77810	LEVER, SENSOR	1							
24	2	26106-060122	BOLT, M6X 12 PLATED	2							
25	1	129927-77920	RELAY, ISO 70A	1							
26	1	129927-77920	RELAY, ISO 70A	1							
27	1	129927-91040	HARNESS, WIRE	1							
28	1	129927-91050	HARNESS, WIRE	1							



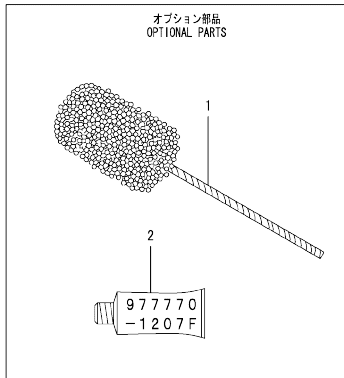
0CW10-M62500 4TNV98-ZPLYW  
 Fig.19. ACCESSORY

0CW10-M62500 Fig.19

(A)=4TNV98-ZPLYW  
 (B)=  
 (C)=

(D)=  
 (E)=  
 (F)=

No.	Lev.	Parts No.	Description	Q'ty						I	R	
				(A)	(B)	(C)	(D)	(E)	(F)			
1	1	129400-92450	HONE, FLEX	1							1	
2	1	977770-1207F	GASKET, LIQUID	1							1	

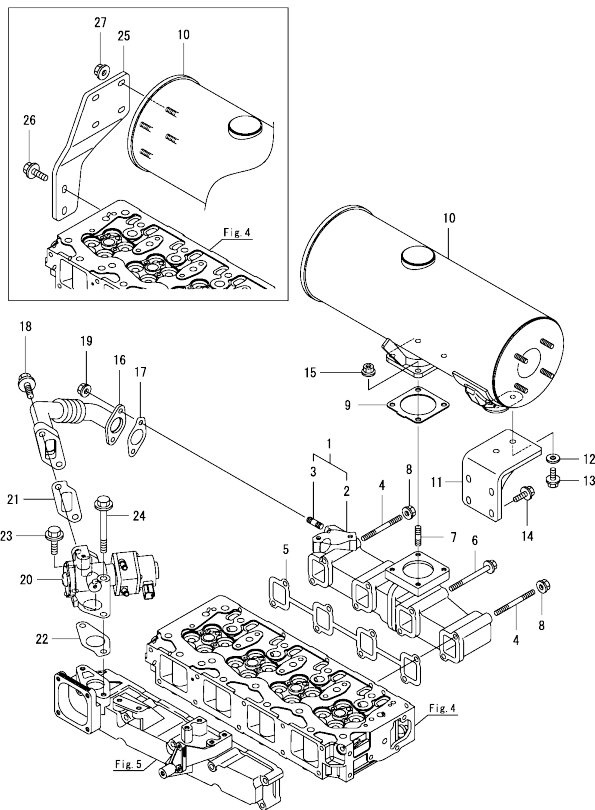


Remarks  
 (1)Optional parts.

Fig.20. (6A)EXHAUST MANIFOLD & SILENCER

(A)=4TNV98-ZPLYW  
(B)=  
(C)=

(D)=  
(E)=  
(F)=



No.	Lev.	Parts No.	Description	Qty						I	R
				(A)	(B)	(C)	(D)	(E)	(F)		
1	1	129927-13150	MANIFOLD ASSY, EXH.	1							
2	2	129927-13100	MANIFOLD, EXHAUST	1							
3	2	129418-18320	BOLT, STUD M8X20	2							
4	1	129263-13210	BOLT, STUD M8X90	2							
5	1	129900-13251	GASKET, EXH.MANIFOLD	1							
6	1	119802-13680	BOLT, M8X90 10.9T	6							
7	1	119131-18320	BOLT, STUD M8X22	4							
8	1	26306-080002	NUT, M8	2							
9	1	129930-13201	GASKET, SILENCER	1							
10	1	129938-13520	SILENCER	1							
11	1	129944-13660	STAY, SILENCER	1							
12	1	22157-080000	WASHER, 8	2							
13	1	26106-080162	BOLT, M8X 16 PLATED	2							
14	1	26106-080202	BOLT, M8X 20 PLATED	4							
15	1	26306-080002	NUT, M8	4							
16	1	129927-13800	PIPE ASSY, EGR	1							
17	1	129927-13810	GASKET	1							
18	1	26106-100302	BOLT, M10X 30 PLATED	2							
19	1	26306-080002	NUT, M8	2							
20	1	129927-13900	VALVE, EGR	1							
21	1	129927-13910	GASKET, EGR	1							
22	1	129927-13920	GASKET, EGR	1							
23	1	26106-100302	BOLT, M10X 30 PLATED	1							
24	1	26106-100952	BOLT, M10X 95 PLATED	1							
25	1	129938-13670	STAY, SILENCER	1							
26	1	26106-080202	BOLT, M8X 20 PLATED	2							
27	1	26306-080002	NUT, M8	4							

Remarks  
\*This item is applicable to  
[(A)=EZZZZ] or following  
machines. Refer to Fig.6.

## Parts No. Index

Parts No.	Fig. No.	Ref. No.	Parts No.	Fig. No.	Ref. No.	Parts No.	Fig. No.	Ref. No.	Parts No.	Fig. No.	Ref. No.
105010-39140	9	23	119802-51680	11	68	128401-77440	16	12	129900-01850	2	36
105025-59750	14	7	119802-51690	11	69	129004-55612	14	1	129900-01870	2	37
114250-53080	13	5	119803-11340	4	13	129005-59830	9	17	129900-02020	1	6
114250-53120	13	9	119803-53400	13	13	129008-51920	11	12	129900-02341	1	32
114250-53130	13	10	119810-77340	16	29	129008-61301	12	26	129900-02410	1	9
114250-53140	13	11	119852-51630	11	73	129052-77380	16	4	129900-02931	1	24
114250-53210	13	12	119852-51640	11	74	129052-77422	16	7	129900-02941	1	35
114371-79070	15	30	119852-51650	11	76	129052-79260	16	18	129900-07900	4	66
119000-35140	9	3	119934-59910	11	134	129052-79270	16	19			66 -1
119060-61990	18	15	120130-22301	8	23	129054-77800	18	16	129900-13251	6	6
119117-44760	10	17	121023-26071	2	30	129054-77811	18	18		20	5
119131-18320	6	3	121236-77340	16	30	129054-77820	18	19	129900-14110	7	6
	20	7	121254-77810	15	29	129054-77830	18	20	129900-14140	2	41
119131-77550	15	25	121450-42450	10	36	129100-01580	2	1	129900-21220	8	3
119140-12680	5	15	121520-34810	9	2		2	1	129900-21600	8	14
119160-12530	5	11	121750-59890	14	12	129136-59110	14	10	129900-23001	8	25
119160-12540	5	12	121850-21130	8	11	129150-02450	7	4	129900-23200	8	28
119160-12570	5	13	121850-21290	8	4	129150-11230	4	35	129900-23601	8	29
			121850-21920	8	5			39	129900-23611	8	32
119225-52102	14	22	121850-49540	10	23	129150-11750	4	17	129900-23911	8	31
119578-91351	17	13	121850-49550	10	25			36	129900-25110	7	10
			121850-49810	10	26			40	129900-26030	7	16
119593-11301	4	27	121850-77021	5	20	129150-14200	7	1	129900-26250	2	42
119620-01750	3	4	123472-59120	13	41	129150-25920	7	18	129900-32001	2	4
119620-11180	4	12	123501-79240	16	5	129150-35153	9	27	129900-32030	2	16
119620-77461	16	14	123900-25060	7	9	129150-59120	13	42		9	5
119620-77471	16	15	123900-77510	15	21	129150-59131	13	45	129900-32040	2	17
119620-77490	16	16	123900-77520	15	22	129242-55730	14	25	129900-34800	9	1
119620-79200	16	8	123900-77540	15	24	129242-55740	14	26	129900-35000	9	6
119620-79210	16	9	123907-03100	4	52	129242-55750	14	27	129900-42020	10	11
119620-79220	16	10	123907-03110	4	53	129242-55760	14	28	129900-42450	10	14
119620-79230	16	11	123907-03120	4	54	129242-55770	14	29	129900-49870	10	31
119620-79250	16	6	123907-03140	4	55	129245-55700	14	23	129902-01710	3	8
119620-79290	16	20	123907-11280	4	32	129245-55720	14	24	129902-21050	8	1
119620-79300	16	21	123907-11550	4	1	129263-13210	6	5	129902-77500	18	1 -1
119620-79310	16	22	123907-11601	13	40		20	4	129906-51580	11	61
119620-79320	16	23	123907-11820	4	19	129263-49750	14	17	129907-01331	1	28
119620-79330	16	24	123907-11830	4	18	129263-77941	11	127	129907-03011	4	49
119620-79340	16	25	123907-39500	9	15	129400-13201	6	9	129907-03061	4	50
119620-79350	16	26	123907-59540	14	14	129400-92450	19	1	129907-03070	4	51
119625-11880	4	23	123907-59550	14	15	129418-18320	6	4	129907-11100	4	9
119626-77210	16	2	123907-59560	14	20		20	3	129907-11110	4	10
119626-77450	16	13	124160-01751	2	24	129457-59010	14	4	129907-11120	4	11
119626-77710	16	17		4	47	129612-12650	5	14	129907-11250	4	29
119640-01640	3	9	124160-11340	4	14	129657-51590	11	63	129907-11260	4	30
119640-61400	4	58	124160-11360	4	63	129657-51600	11	64	129907-11270	4	31
119761-39450	9	12	124465-44950	10	37	129795-01900	16	1	129907-11341	4	28
119802-11870	4	22	124722-59050	14	18	129900-01200	1	27	129907-11510	4	15
119802-13680	6	7	124766-59050	14	5	129900-01250	1	4	129907-11650	4	33
	20	6			9	129900-01620	3	2	129907-11660	4	37

## Parts No. Index

Parts No.	Fig. No.	Ref. No.	Parts No.	Fig. No.	Ref. No.	Parts No.	Fig. No.	Ref. No.	Parts No.	Fig. No.	Ref. No.
129907-11800	4	70	129927-51390	11	25	129940-77270	15	19	22190-080002	9	18
129907-11910	4	24	129927-51650	11	125	129940-77280	15	20			20
129907-11920	4	41	129927-51660	11	126	129944-07900	4	67			24
129907-11950	4	25	129927-51670	11	129	129944-13510	6	10		14	21
129907-12110	5	1	129927-53000	13	2	129944-13650	6	12	22190-120002	10	28
129907-14400	7	2	129927-59550	14	16	129944-13660	20	11		11	105
129907-21650	8	9	129927-59810	13	47	129951-01740	2	26			112
129907-25900	7	15	129927-59820	13	48	129953-21570	8	12			135
129907-51560	11	58	129927-59830	13	49	129953-25300	7	14		12	28
129907-55801	14	2	129927-59840	13	50	129957-59120	14	6	22190-180002	11	106
		32	129927-75900	17	19	129960-21640	8	8	22190-220002	3	11
129907-59140	14	13	129927-77600	17	11	129961-59110	14	11	22190-300002	9	25
129908-13650	6	11			20	129961-59310	14	8	22217-050000	11	136
129908-14590	7	3	129927-77680	17	12	129962-01500	2	3	22217-180000	11	113
129915-77051	5	21			21	144626-51090	11	13	22252-000300	8	24
129916-01790	3	7	129927-77690	18	12	158552-51571	11	59	22312-050140	11	114
129916-01800	2	35	129927-77920	18	25	158552-51580	11	62	22351-050010	11	115
129916-21610	8	7			26	158552-51670	11	130	22351-060012	1	11
129916-44740	10	16	129927-91040	18	27	158552-51781	11	101	22512-070140	7	7
129916-49530	10	22	129927-91050	18	28	158552-52100	11	132		8	6
129916-77300	16	28	129928-13900	6	22	158552-52311	11	110	22857-500100	4	60
129922-75020	17	1	129928-51900	11	11	158552-52400	11	111			61
129927-11320	4	48	129930-13201	20	9	158552-52500	11	133	22877-500080	17	14
129927-11700	4	2	129930-39050	9	22	158553-51670	11	67			23
129927-12100	5	3	129933-11310	4	57	158553-51680	11	79	23000-080000	5	16
129927-12150	5	2	129935-12520	5	10	158553-51930	11	104	23000-102000	5	17
129927-12560	5	8			23		12	2	23080-012000	10	41
129927-13100	6	2	129938-13520	20	10	158553-61780	12	27			45
	20	2	129938-13670	20	25	158557-51570	11	60	23414-080000	10	32
129927-13150	6	1	129938-77800	18	13	158557-61720	12	16	23857-030000	9	19
	20	1	129938-77810	18	23	158563-51150	11	16	23875-030000	10	29
129927-13800	6	18	129939-12070	5	7	158563-51281	11	23	23876-020000	4	6
	20	16	129939-12570	5	9			24	23876-030000	1	12
129927-13810	6	19	129940-42290	10	15	158563-51330	11	35			13
	20	17	129940-77010	15	1	158600-51270	11	22			14
129927-13900	20	20	129940-77100	15	2	158601-51550	11	57		4	7
129927-13910	6	23	129940-77130	15	5	158601-51650	11	128	24311-000070	2	18
	20	21	129940-77140	15	6	158601-51770	11	100		11	116
129927-13920	6	24	129940-77150	15	7	158601-51790	11	102		18	21
	20	22	129940-77160	15	8	171051-01921	1	5	24311-000120	4	26
129927-22050	8	17	129940-77170	15	9	171056-49120	10	35			64
129927-22080	8	15	129940-77180	15	10	175339-79700	4	59	24311-000160	14	30
129927-39060	9	13	129940-77190	15	11	185100-50070	18	17	24311-000320	2	25
129927-42000	10	1	129940-77200	15	12	194940-52110	18	1		4	65
129927-42140	2	17 A	129940-77210	15	13	194990-22130	18	14	24321-000600	9	26
129927-44900	10	20	129940-77220	15	14	198360-52160	18	6	24321-000750	14	31
129927-49610	10	38	129940-77230	15	15	198461-52950	18	9	24321-000850	2	31
129927-49620	10	42	129940-77240	15	16			10	24341-000480	12	22
129927-49800	10	19	129940-77250	15	17			11	24341-000530	8	10
129927-51250	11	141	129940-77260	15	18	22157-080000	20	12	24351-030750	2	19

## Parts No. Index

Parts No.	Fig. No.	Ref. No.
24356-190200	11	70
		117
24356-240210	11	118
24372-000150	11	71
26013-080222	5	18
		19
26014-080302	16	31
26023-040202	18	22
26106-060102	11	119
26106-060122	4	62
		117
	11	24
		23
26106-060162	12	23
26106-060202	10	30
26106-060252	12	29
26106-060302	10	12
26106-060352	11	120
26106-080122	3	12
		11
	9	21
		33
26106-080162	2	20
		38
	4	68
		68 -1
	6	13
		14
	7	8
		13
26106-080182	20	13
26106-080182	4	69
		21
26106-080202	2	27
		15
	11	142
		14
	20	26
		24
26106-080252	12	24
26106-080302	11	143
26106-080352	14	3
		22
26106-080402	5	22
26106-080402	2	39
		43
26106-080452	2	22
		28
	5	5
		13
26106-080552	7	13
	10	13
		44
26106-080602	4	45
		34

Parts No.	Fig. No.	Ref. No.
26106-080702	2	40
26106-080752	2	29
26106-080802	5	6
	10	18
		32
26106-100202	2	32
26106-100302	6	20
		25
	20	18
		23
26106-100952	6	26
	20	24
		31
26116-120252	15	31
26206-100352	3	5
26206-100702	3	6
26216-060202	5	4
26216-100302	2	15
26226-080222	4	42
26306-080002	4	46
		8
	6	16
		17
	20	21
		8
		15
		19
		27
		23
26306-100002	2	23
		27
		51
26366-060002	13	51
26450-100452	11	121
26716-050002	11	138
26776-180002	11	122
27241-160000	11	139
27241-300000	1	10
27241-400000	4	8
27310-070001	4	20
729900-02801	1	29
729907-01559	2	33
729927-01560	1	1
729927-22900	8	34
729927-22950	8	36
729927-51320	11	1
729927-53100	13	1
977770-1207F	19	2
X2240610100	15	23
X9490561001	16	3

Parts No.	Fig. No.	Ref. No.
-----------	----------	----------

Parts No.	Fig. No.	Ref. No.
-----------	----------	----------