

0CD50-M01550EN

P R E F A C E

This parts catalog is the 1st edition of 4TNV98-ZCVDB for DOOSAN INFRACORE CO., LTD.

Published : September, 2015

Contents

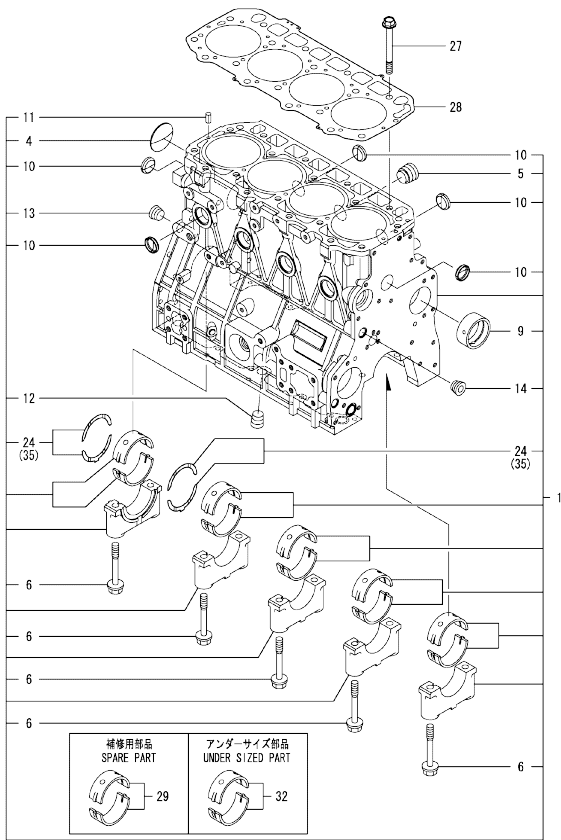
OCD50-M01550

Fig. No.	Fig. Name	Fig. No.	Fig. Name
4	TNV98-ZCVDB		
1.	CYLINDER BLOCK		
2.	GEAR HOUSING		
3.	FLYWHEEL HOUSING & OIL SUMP		
4.	CYLINDER HEAD & BONNET		
5.	SUCTION MANIFOLD		
6.	EXHAUST MANIFOLD		
7.	CAMSHAFT & DRIVING GEAR		
8.	CRANKSHAFT & PISTON		
9.	LUB. OIL SYSTEM		
10.	COOLING WATER SYSTEM		
11.	FUEL INJECTION PUMP		
12.	GOVERNOR		
13.	FUEL INJECTION VALVE		
14.	FUEL PIPE		
15.	STARTER MOTOR		
16.	GENERATOR		
17.	ELECTRONIC CONTROL UNIT(ECU)		
18.	GASKET SET		

Fig.1. CYLINDER BLOCK

(A)=4TNV98-ZCVDB
(B)=
(C)=

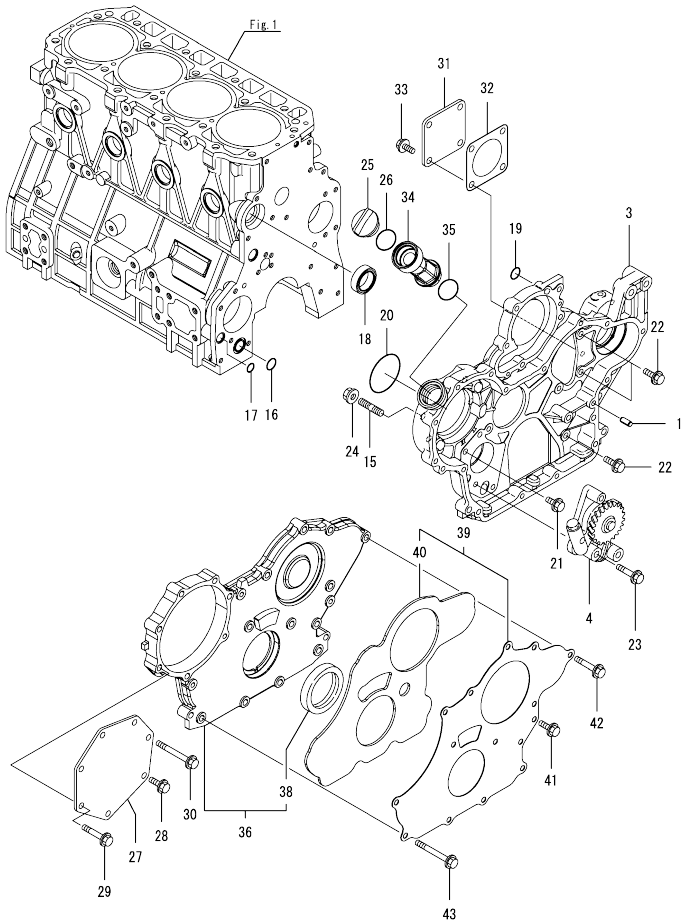
(D)=
(E)=
(F)=



No.	Lev.	Parts No.	Description	Q'ty						I	R
				(A)	(B)	(C)	(D)	(E)	(F)		
1	1	729927-01560	BLOCK ASSY, CYLINDER	1							
4	2	129900-01250	PLUG, DISH TYPE 55	1							
5	2	171051-01921	PLUG, NPTF1	1							
6	2	129900-02020	BOLT, METAL CAP	10							
9	2	129900-02410	BUSH, CAMSHAFT	1							
10	2	27241-300000	PLUG 30	8							
11	2	22351-060012	PIN, SPRING 6.0X12	2							
12	2	23876-030000	PLUG, R03	1							
13	2	23876-030000	PLUG, R03	1							
14	2	23876-030000	PLUG, R03	1							
24	2	129900-02931	BEARING ASSY, THRUST	2							
27	1	129900-01200	BOLT, CYLINDER HEAD	18							
28	1	129907-01331	GASKET, HEAD	1							
29	1	729900-02801	BEARING, MAIN	5							1
32	1	129900-02341	BEARING ASSY, MAIN	5							2
35	1	129900-02941	BEARING, THRUST 0.25	2							3

Remarks
 (1)Spare parts.
 (2)Under-sized(U.S.=0.25) parts.
 (3)Over-sized(O.S.=0.25) parts.

Fig.2. GEAR HOUSING

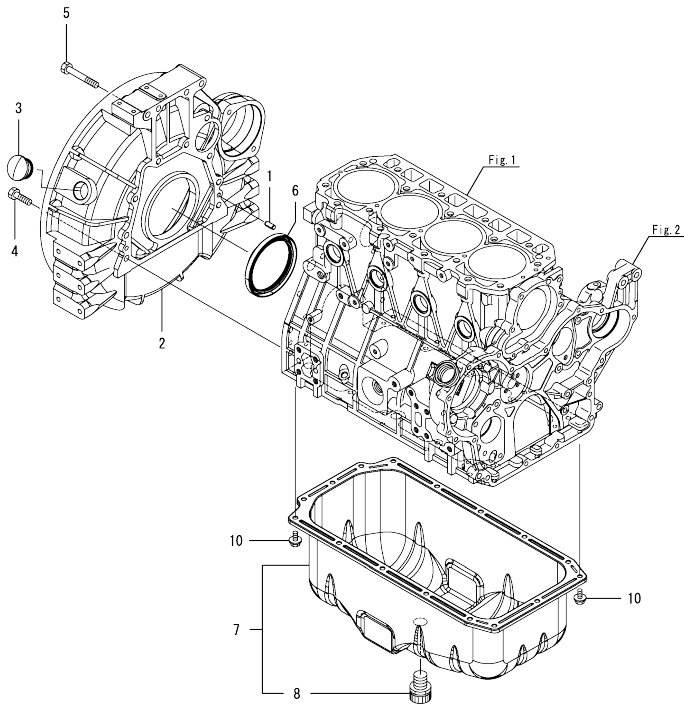


(A)=4TNV98-ZCVDB
(B)=
(C)=

(D)=
(E)=
(F)=

No.	Lev.	Parts No.	Description	Qty						I	R
				(A)	(B)	(C)	(D)	(E)	(F)		
1	1	129100-01580	PIN, PARALLEL 8X16	4							
3	1	129907-01500	CASE, GEAR	1							
4	1	129900-32001	PUMP ASSY, OIL	1							
15	1	26216-100302	STUD, M10X 30	4							
16	1	129900-32030	O-RING, P20	1							
17	1	129900-32040	O-RING, P14	1							
18	1	129927-42140	GASKET, CW-P OUT	1							
19	1	24311-000070	O-RING, 1AP7.0	1							
20	1	24351-030750	O-RING, 1A3075	1							
21	1	26106-080162	BOLT, M8X 16 PLATED	1							
22	1	26106-080202	BOLT, M8X 20 PLATED	3							
23	1	26106-080452	BOLT, M8X 45 PLATED	3							
24	1	26306-100002	NUT, M10	4							
25	1	124160-01751	CAP, FILLER	1							
26	1	24311-000320	O-RING, 1AP32.0	1							
27	1	129951-01740	COVER	1							
28	1	26106-080202	BOLT, M8X 20 PLATED	1							
29	1	26106-080452	BOLT, M8X 45 PLATED	5							
30	1	26106-080752	BOLT, M8X 75 PLATED	1							
31	1	124240-01871	COVER, PUMP	1							
32	1	129C26-01890	GASKET, HO-P	1							
33	1	26106-080162	BOLT, M8X 16 PLATED	4							
34	1	171031-11741	PIPE	1							
35	1	24311-000320	O-RING, 1AP32.0	1							
36	1	729907-01559	COVER ASSY,GEAR CASE	1							
38	2	129916-01800	SEAL, OIL	1							
39	1	129900-01850	COVER ASSY,GEAR CASE	1							
40	2	129900-01870	SPONGE, GEAR CASE	1							
41	1	26106-080162	BOLT, M8X 16 PLATED	3							
42	1	26106-080402	BOLT, M8X 40 PLATED	5							
43	1	26106-080702	BOLT, M8X 70 PLATED	6							

Fig.3. FLYWHEEL HOUSING & OIL SUMP

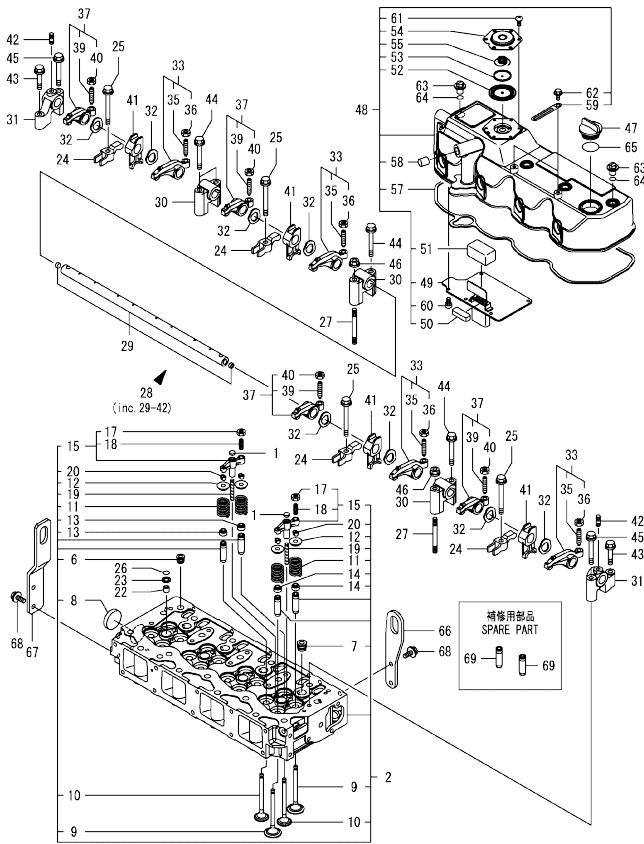


(A)=4TNV98-ZCVDB
(B)=
(C)=

(D)=
(E)=
(F)=

No.	Lev.	Parts No.	Description	Q'ty						I	R
				(A)	(B)	(C)	(D)	(E)	(F)		
1	1	129100-01580	PIN, PARALLEL 8X16	2							
2	1	129981-01600	HOUSING, FLYWHEEL	1							
3	1	119620-01750	CAP	1							
4	1	26206-100352	BOLT, M10X 35 PLATED	9							
5	1	26206-100702	BOLT, M10X 70 PLATED	4							
6	1	129916-01790	SEAL, D115/95XT11	1							
7	1	129940-01720	OIL PAN ASSY	1							
8	2	129906-01640	COCK, DRAIN	1							
10	1	26106-080122	BOLT, M8X 12 PLATED	16							

Fig.4. CYLINDER HEAD & BONNET



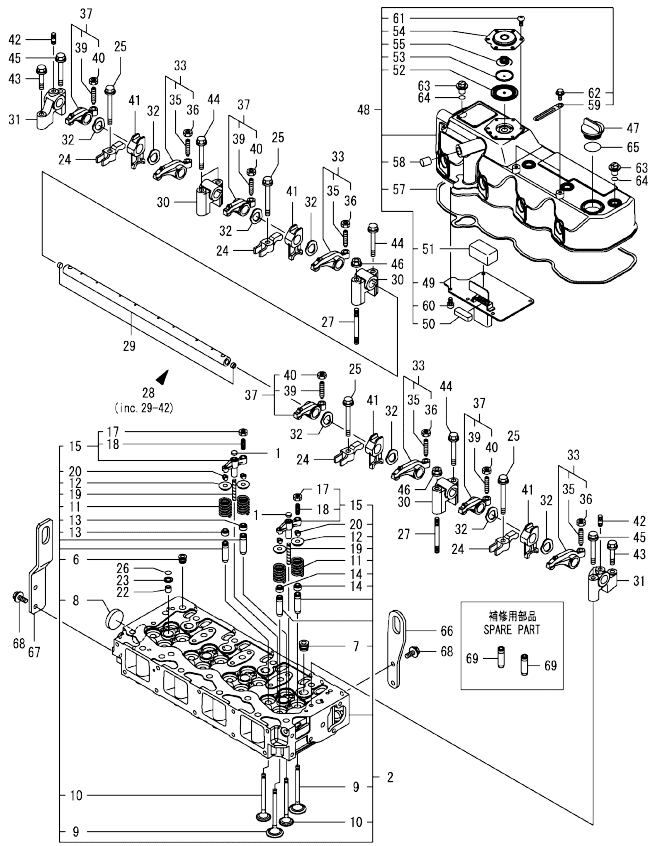
Remarks
(1) Spare parts.

(A)=4TNV98-ZCVDB
(D)=
(E)=
(F)=

No.	Lev.	Parts No.	Description	Q'ty						I	R
				(A)	(B)	(C)	(D)	(E)	(F)		
1	1	123907-11550	SEAT, VALVE BRIDGE	8							
2	1	129927-11700	HEAD ASSY, CYLINDER	1							
6	2	23876-020000	PLUG, R02	1							
7	2	23876-030000	PLUG, R03	4							
8	2	27241-400000	PLUG, 40	1							
9	2	129907-11100	VALVE, SUCTION	8							
10	2	129907-11110	VALVE, EXHAUST	8							
11	2	129907-11120	SPRING, VALVE	16							
12	2	119620-11180	RETAINER, SPRING	16							
13	2	119803-11340	SEAL, VALVE STEM	8							
14	2	124160-11340	SEAL, VALVE STEM	8							
15	2	129907-11510	BRIDGE ASSY, VALVE	8							
17	3	129150-11750	NUT, M8	8							
18	3	123907-11830	ADJUSTER	8							
19	2	123907-11820	GUIDE, BRIDGE	8							
20	2	27310-070001	COTTER, 7	16							
22	1	119802-11870	PROTECTOR, NOZZLE	4							
23	1	119625-11880	SEAT, NOZZLE	4							
24	1	129907-11910	RETAINER, NOZZLE	4							
25	1	129907-11950	BOLT, M8X75	4							
26	1	24311-000120	O-RING, 1AP12.0	4							
27	1	119593-11301	BOLT, STUD M8X80	2							
28	1	129907-11341	SHAFT ASSY, ROCKER	1							
29	2	129907-11250	SHAFT, ROCKER ARM	1							
30	2	129907-11260	SUPPORT, ROCKER ARM	3							
31	2	129907-11270	SUPPORT, ROCKER ARM	2							
32	2	123907-11280	WASHER	8							
33	2	129907-11650	ARM ASSY, ROCKER	4							
35	3	129150-11230	SCREW, VALVE ADJUST	4							
36	3	129150-11750	NUT, M8	4							
37	2	129907-11660	ARM ASSY, ROCKER	4							
39	3	129150-11230	SCREW, VALVE ADJUST	4							
40	3	129150-11750	NUT, M8	4							
41	2	129907-11920	RETAINER, NOZZLE	4							
42	2	26226-080222	STUD, M8X 22	2							
43	1	26106-080402	BOLT, M8X 40 PLATED	2							
44	1	26106-080602	BOLT, M8X 60 PLATED	4							
45	1	26106-080602	BOLT, M8X 60 PLATED	2							
46	1	26306-080002	NUT, M8	2							
47	1	124160-01751	CAP, FILLER	1							
48	1	129927-11320	BONNET ASSY, HEAD	1							
49	2	129907-03011	PLATE, BAFFLE	1							
50	2	129907-03061	BAFFLE, BREATHER	1							
51	2	129907-03070	BAFFLE, BREATHER	1							
52	2	123907-03100	DIAPHRAGM	1							
53	2	123907-03110	PLATE	1							
54	2	123907-03120	PLATE, BREATHER	1							
55	2	123907-03140	SPRING, DIAPHRAGM	1							
57	2	129933-11310	GASKET, BONNET	1							
58	2	119640-61400	PLUG	1							
59	2	175339-79700	CLIP	2							

N:Old $\frac{New}{Old}$ New, Q:Old $\frac{New}{Old}$ New, R:Old $\frac{New}{Old}$ New, S:Old $\frac{New}{Old}$ New, W:Add, Z:Discontinued, F:Interchangeable by set, K:Q'ty Change
 ++ CONTINUE ++
 Copyright (C) 2015 YANMAR GLOBAL CS CO., LTD. All Rights Reserved.

Fig.4. CYLINDER HEAD & BONNET



(A)=4TNV98-ZCVDB
(B)=
(C)=

(D)=
(E)=
(F)=

No.	Lev.	Parts No.	Description	Q'ty						I	R		
				(A)	(B)	(C)	(D)	(E)	(F)				
60	2	22857-500100	SCREW, 5X10										
61	2	22857-500100	SCREW, 5X10										
62	2	26106-060122	BOLT, M6X 12 PLATED										
63	1	124160-11360	KNOB										
64	1	24311-000120	O-RING, 1AP12.0										
65	1	24311-000320	O-RING, 1AP32.0										
66	1	129907-07900	LIFTER, ENGINE										
67	1	129939-07920	LIFTER										
68	1	26106-080162	BOLT, M8X 16 PLATED										
69	1	129907-11800	GUIDE, VALVE										1

Remarks

(1) Spare parts.

Fig.5. SUCTION MANIFOLD

(A)=4TNV98-ZCVDB
(B)=
(C)=

(D)=
(E)=
(F)=

No.	Lev.	Parts No.	Description	Q'ty						I	R
				(A)	(B)	(C)	(D)	(E)	(F)		
1	1	129907-12110	GASKET, MANIFOLD	1							
2	1	129927-12150	MANIFOLD ASSY,INTAKE	1							
3	2	129927-12100	MANIFOLD, AIR INTAKE	1							
4	2	26216-060202	STUD, M6X 20		2						
5	1	26106-080452	BOLT, M8X 45 PLATED		6						
6	1	26106-080802	BOLT, M8X 80 PLATED		4						
7	1	119129-77020	GASKET	1							
8	1	121850-77021	GASKET, AIR HEATER	1							
9	1	119129-77500	HEATER, AIR	1							
10	1	119129-77520	BEND	1							
11	1	26106-080452	BOLT, M8X 45 PLATED		2						
12	1	26106-080952	BOLT, M8X 95 PLATED		2						

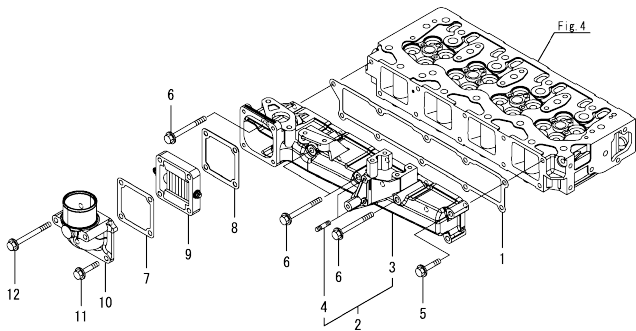
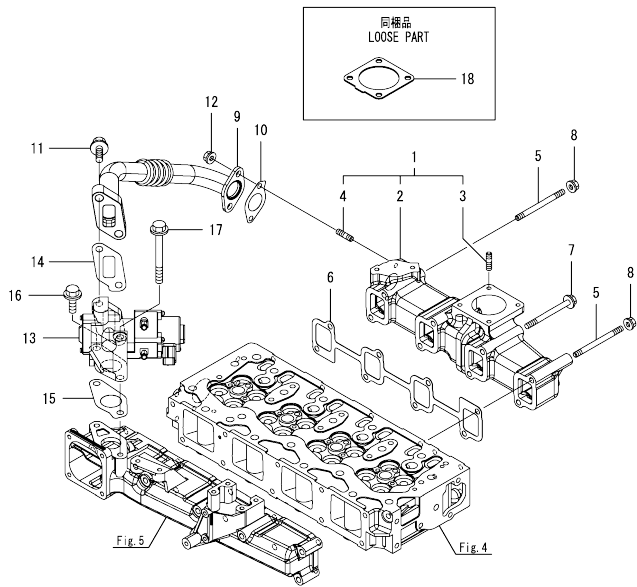


Fig.6. EXHAUST MANIFOLD

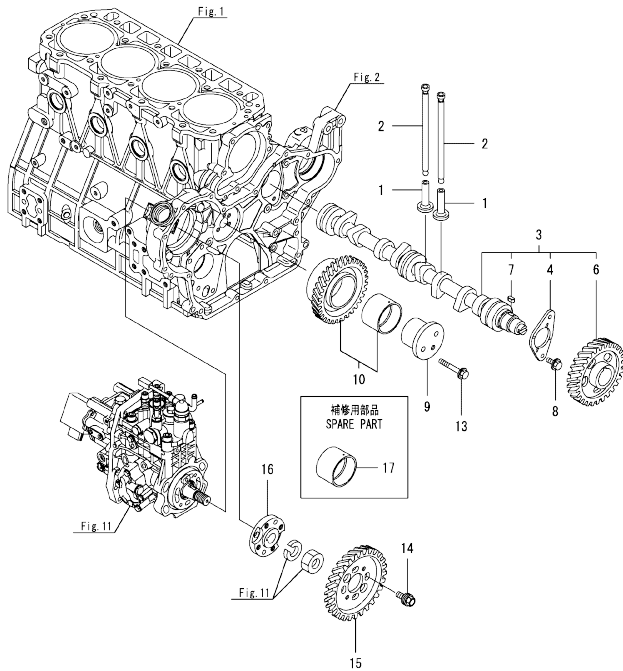


(A)=4TNV98-ZCVDB
(B)=
(C)=

(D)=
(E)=
(F)=

No.	Lev.	Parts No.	Description	Q'ty						I	R
				(A)	(B)	(C)	(D)	(E)	(F)		
1	1	129927-13150	MANIFOLD ASSY, EXH.	1							
2	2	129927-13101	MANIFOLD, EXHAUST	1							
3	2	119131-18320	BOLT, STUD M8X22	4							
4	2	129418-18320	BOLT, STUD M8X20	2							
5	1	129263-13210	BOLT, STUD M8X90	2							
6	1	129900-13251	GASKET, EXH.MANIFOLD	1							
7	1	129E00-13650	BOLT, M8X90 10.9T	6							
8	1	26306-080002	NUT, M8	2							
9	1	129927-13800	PIPE ASSY, EGR	1							
10	1	129927-13810	GASKET	1							
11	1	26106-100302	BOLT, M10X 30 PLATED	2							
12	1	26306-080002	NUT, M8	2							
13	1	129928-13900	VALVE, EGR	1							
14	1	129927-13910	GASKET, EGR	1							
15	1	129927-13920	GASKET, EGR	1							
16	1	26106-100302	BOLT, M10X 30 PLATED	1							
17	1	26106-100952	BOLT, M10X 95 PLATED	1							
18	1	129930-13201	GASKET, SILENCER	1							

Fig.7. CAMSHAFT & DRIVING GEAR



(A)=4TNV98-ZCVDB
(B)=
(C)=

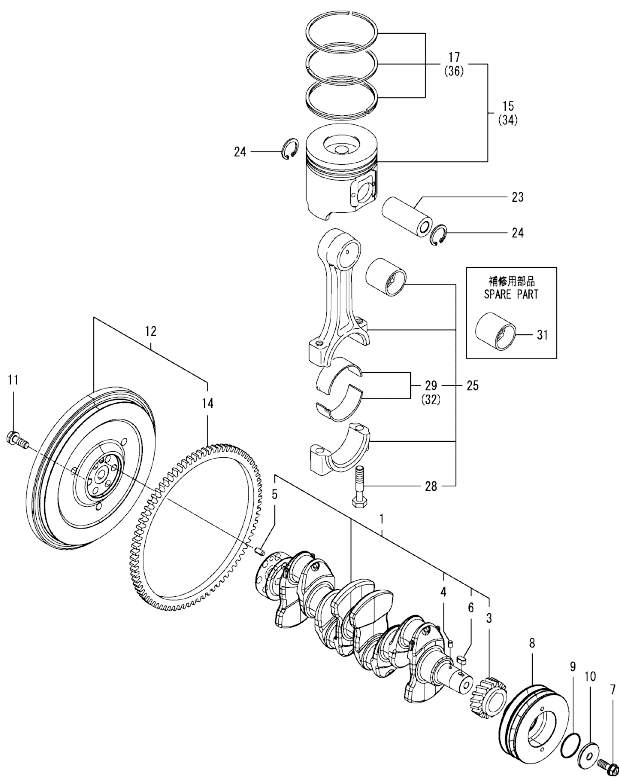
(D)=
(E)=
(F)=

No.	Lev.	Parts No.	Description	Q'ty						I	R
				(A)	(B)	(C)	(D)	(E)	(F)		
1	1	129150-14200	TAPPET	8							
2	1	129907-14400	PUSH-ROD	8							
3	1	129908-14581	CAMSHAFT ASSY	1							
3-1	1	129932-14580	CAMSHAFT ASSY	1							N
		(A=E18765A)									
4	2	129150-02450	BEARING, THRUST	1							
6	2	129900-14100	GEAR, CAMSHAFT	1							
7	2	22512-070140	KEY, 7X 14	1							
8	1	26106-080142	BOLT, M8X 14 PLATED	2							
9	1	123900-25060	SHAFT, IDLE GEAR	1							
10	1	129900-25100	GEAR ASSY, IDLE	1							
13	1	26106-080552	BOLT, M8X 55 PLATED	3							
14	1	129953-25300	BOLT	4							
15	1	129907-25900	GEAR, PUMP	1							
16	1	158563-51150	FLANGE	1							
17	1	129150-25920	BUSH, IDLE GEAR	1							1

Remarks

(1)Spare parts.

Fig.8. CRANKSHAFT & PISTON



(A)=4TNV98-ZCVDB
(B)=
(C)=

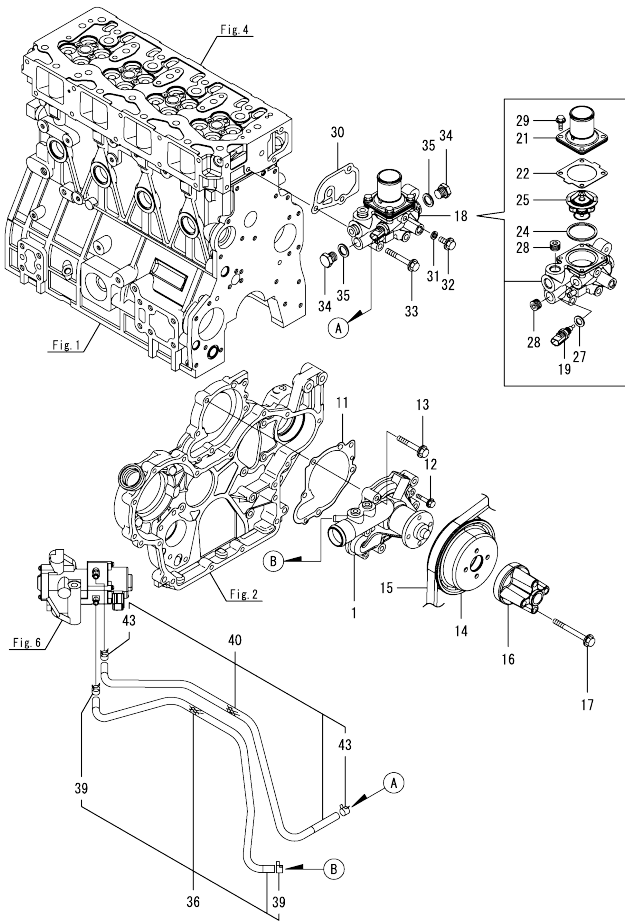
(D)=
(E)=
(F)=

No.	Lev.	Parts No.	Description	Q'ty						I	R
				(A)	(B)	(C)	(D)	(E)	(F)		
1	1	129902-21000	CRANKSHAFT ASSY	1							
3	2	129900-21200	GEAR, CRANKSHAFT	1							
4	2	121850-21290	PIN	1							
5	2	121850-21920	PIN, PARALLEL 10X22	1							
6	2	22512-070140	KEY, 7X 14	1							
7	1	129916-21610	BOLT	1							
8	1	129933-21620	V-PULLEY, CRANKSHAFT	1							
9	1	129960-21930	GASKET, WASHER	1							
10	1	129960-21940	WASHER, V-PULLEY	1							
11	1	121850-21130	BOLT, FLYWHEEL	6							
12	1	129953-21560	FLYWHEEL ASSY	1							
14	2	129900-21600	GEAR, RING	1							
15	1	129927-22080	PISTON ASSY	4							
17	2	129927-22050	RING SET, PISTON	4							
23	1	120130-22301	PIN, PISTON	4							
24	1	22252-000300	RING, 30	8							
25	1	129900-23001	ROD ASSY, CONNECTING	4							
28	2	129900-23200	BOLT, CONNECTING ROD	8							
29	2	129900-23601	BEARING, CRANK PIN	4							
31	1	129900-23911	BEARING, PISTON PIN	4							1
32	1	129900-23611	BEARING ASSY, 0.25US	4							2
34	1	729927-22900	PISTON ASSY, 0.25 OS	4							3
36	2	729927-22950	RING SET, 0.25 OS	4							3

Remarks

- (1) Spare parts.
- (2) Under-sized (U.S.=0.25) parts.
- (3) Over-sized (O.S.=0.25) parts.

Fig.10. COOLING WATER SYSTEM

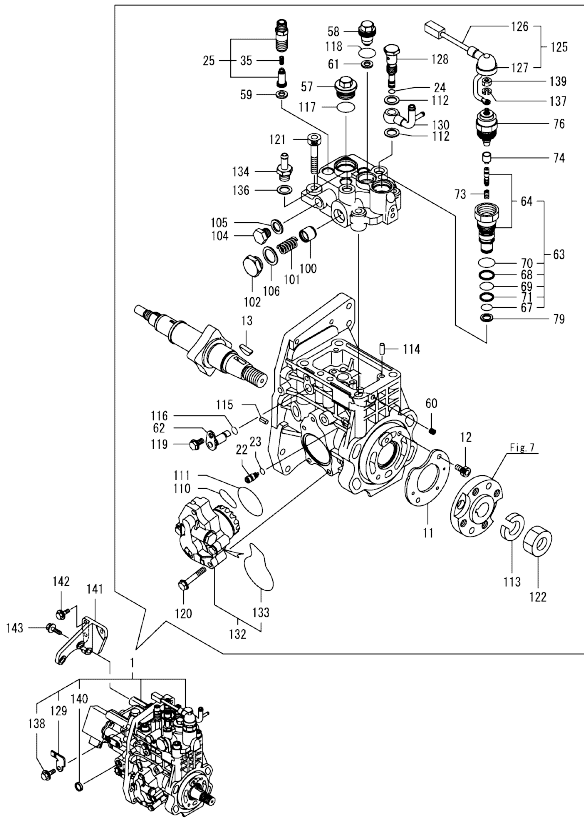


No.	Lev.	Parts No.	Description	Q'ty						I	R
				(A)	(B)	(C)	(D)	(E)	(F)		
1	1	129927-42001	PUMP ASSY, WATER	1							
11	1	129900-42020	GASKET, WATER PUMP	1							
12	1	26106-060302	BOLT, M6X 30 PLATED	2							
13	1	26106-080552	BOLT, M8X 55 PLATED	5							
14	1	129944-42400	V-PULLEY	1							
15	1	25153-004500	V-BELT, B45	1							
16	1	119117-44760	SPACER, FAN	1							
17	1	26106-080802	BOLT, M8X 80 PLATED	4							
18	1	129938-49800	CASE ASSY, THERMOSTAT	1							
19	2	129927-44900	SENSOR, WATER TEMP.	1							
21	2	129916-49530	COVER, THERMOSTAT	1							
22	2	121850-49540	GASKET, THERMOSTAT	1							
24	2	121850-49550	GASKET, THERMOSTAT	1							
25	2	121850-49801	THERMOSTAT, 82C	1							
27	2	22190-120002	WASHER, SEAL 12	1							
28	2	23875-030000	PLUG, R03	2							
29	2	26106-060202	BOLT, M6X 20 PLATED	4							
30	1	129900-49870	GASKET, THERMOSTAT	1							
31	1	23414-080000	GASKET, 8X1.0	1							
32	1	26106-080122	BOLT, M8X 12 PLATED	1							
33	1	26106-080602	BOLT, M8X 60 PLATED	3							
34	1	121450-42450	PLUG, M16	2							
35	1	124465-44950	GASKET, 16	2							
36	1	129927-49610	HOSE ASSY, WATER	1							
39	2	23080-012000	CLAMP, 12	2							
40	1	129927-49620	HOSE ASSY, WATER	1							
43	2	23080-012000	CLAMP, 12	2							

Fig.11. FUEL INJECTION PUMP

(A)=4TNV98-ZCVDB
(B)=
(C)=

(D)=
(E)=
(F)=



No.	Lev.	Parts No.	Description	Q'ty						I	R
				(A)	(B)	(C)	(D)	(E)	(F)		
1	1	729923-51330	FIE ASSY	1							1
11	2	129928-51900	COVER	1							
12	2	129008-51920	BOLT, SOCKET M6X10	2							
13	2	144626-51090	FEATHER KEY, 5X19	1							
22	2	158600-51270	STOPPER, TAPPET	1							
23	2	158563-51281	O-RING, 4D S6	1							
24	2	158563-51281	O-RING, 4D S6	1							
25	2	129927-51390	VALVE ASSY, DELIVERY	4							
35	3	158563-51330	SPRING, DELIVERY	4							
57	2	158601-51550	PLUG, M22	1							
58	2	129907-51560	PLUG, M16	1							
59	2	158552-51571	GASKET, PLUG	4							
60	2	158557-51570	PLUG, RACK	1							
61	2	129906-51580	GASKET, PLUG	1							
62	2	158552-51580	LIFTER, LINK	1							
63	2	129657-51590	TIMER ASSY	1							
64	3	129657-51600	TIMER ASSY	1							
67	3	158553-51670	O-RING	1							
68	3	119802-51680	RING, BACKUP	1							
69	3	119802-51690	O-RING	1							
70	3	24356-190200	O-RING, 4D19020	1							
71	3	24372-000150	RING, BACK UP T2P15	1							
73	2	119852-51630	SPRING, TIMER	1							
74	2	119852-51640	CAP, TIMER	1							
76	2	119852-51650	VALVE ASSY, SOLENOID	1							
79	2	158553-51680	GASKET, TIMER	1							
100	2	158601-51770	PISTON, ACCUMULATOR	1							
101	2	158552-51781	SPRING, ACCUMULATOR	1							
102	2	158601-51790	PLUG	1							
104	2	158553-51930	PLUG, M12	1							
105	2	22190-120002	WASHER, SEAL 12	1							
106	2	22190-180002	WASHER, SEAL 18	1							
110	2	158552-52311	O-RING	1							
111	2	158552-52400	O-RING, 4E S42	1							
112	2	22190-120002	WASHER, SEAL 12	2							
113	2	22217-180000	WASHER, SPRING 18	1							
114	2	22312-050140	PIN, PARALLEL 5X14	2							
115	2	22351-050010	PIN, SPRING 5.0X10	2							
116	2	24311-000070	O-RING, 1AP7.0	1							
117	2	24356-190200	O-RING, 4D19020	1							
118	2	24356-240210	O-RING, 4D24021	1							
119	2	26106-060102	BOLT, M6X 10 PLATED	1							
120	2	26106-060352	BOLT, M6X 35 PLATED	4							
121	2	26450-100452	BOLT, M10X 45	4							
122	2	26776-180002	NUT, LOCK M18	1							
125	2	129927-51650	HARNES ASSY, WIRE	1							
126	3	129927-51660	HARNES	1							
127	3	129263-77941	CAP, RUBBER	1							
128	2	158601-51650	JOINT, OVER FLOW	1							
129	2	129927-51670	BRACKET	1							
130	2	158552-51670	JOINT, OVER FLOW	1							

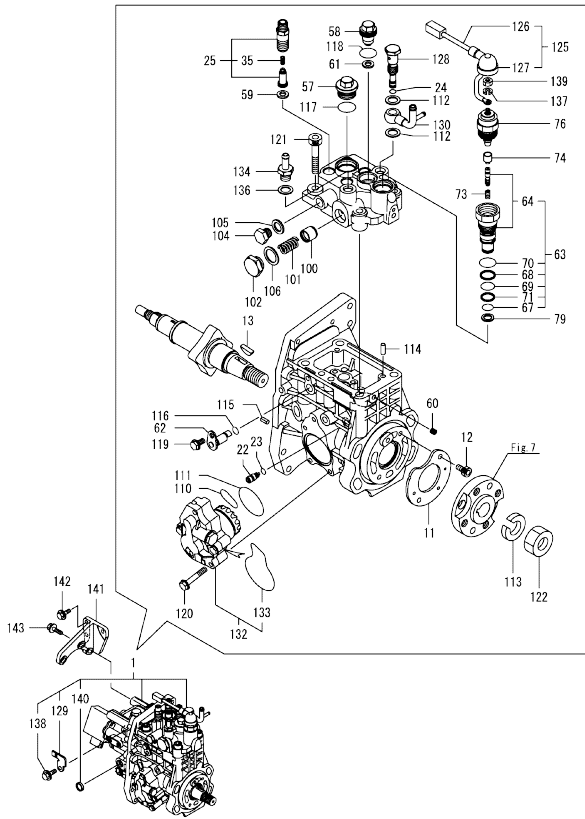
Remarks

- (1)Governor(Fig.12) is incorporated in this Fuel Injection Pump(No.1).
- (1)Eco pump
- Make sure to update the engines ECU information when replacing the Eco pump.
- Failing to do so will result in engine malfunction.

Fig.11. FUEL INJECTION PUMP

(A)=4TNV98-ZCVDB
(B)=
(C)=

(D)=
(E)=
(F)=



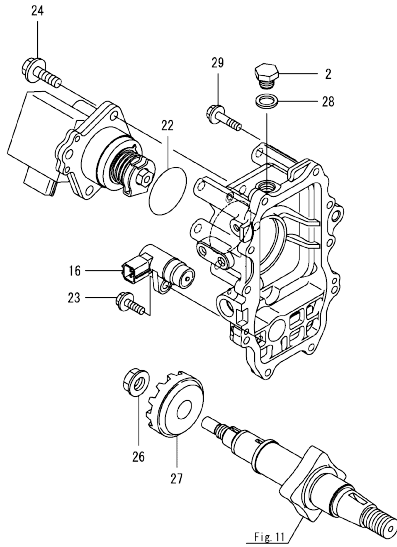
No.	Lev.	Parts No.	Description	Q'ty					
				(A)	(B)	(C)	(D)	(E)	(F)
132	2	158552-52100	PUMP ASSY, FUEL FEED	1					
133	3	158552-52500	O-RING	1					
134	2	119934-59910	JOINT, PIPE	1					
136	2	22190-120002	WASHER, SEAL 12	1					
137	2	22217-050000	WASHER, SPRING 5	1					
138	2	26106-060122	BOLT, M6X 12 PLATED	1					
139	2	26716-050002	NUT, M5	1					
140	2	27241-160000	PLUG, 16	1					
141	1	129927-51250	RETAINER, PUMP	1					
142	1	26106-080202	BOLT, M8X 20 PLATED	3					
143	1	26106-080302	BOLT, M8X 30 PLATED	3					

Remarks

(1)Governor(Fig.12) is incorporated in this Fuel Injection Pump(No.1).
(1)Eco pump
Make sure to update the engines ECU information when replacing the Eco pump.
Failing to do so will result in engine malfunction.

OCD50-M01550 4TNV98-ZCVDB
 Fig.12. GOVERNOR

OCD50-M01550 Fig.12



(A)=4TNV98-ZCVDB
 (B)=
 (C)=

(D)=
 (E)=
 (F)=

No.	Lev.	Parts No.	Description	Q'ty						I	R
				(A)	(B)	(C)	(D)	(E)	(F)		
2	2	158553-51930	PLUG, M12	1							
16	2	158557-61720	SENSOR	1							
22	2	24341-000480	O-RING, 1AS48.0	1							
23	2	26106-060162	BOLT, M6X 16 PLATED	1							
24	2	26106-080252	BOLT, M8X 25 PLATED	3							
26	2	129008-61301	NUT	1							
27	2	158553-61780	GEAR, SENSOR	1							
28	2	22190-120002	WASHER, SEAL 12	1							
29	2	26106-060252	BOLT, M6X 25 PLATED	10							

Remarks

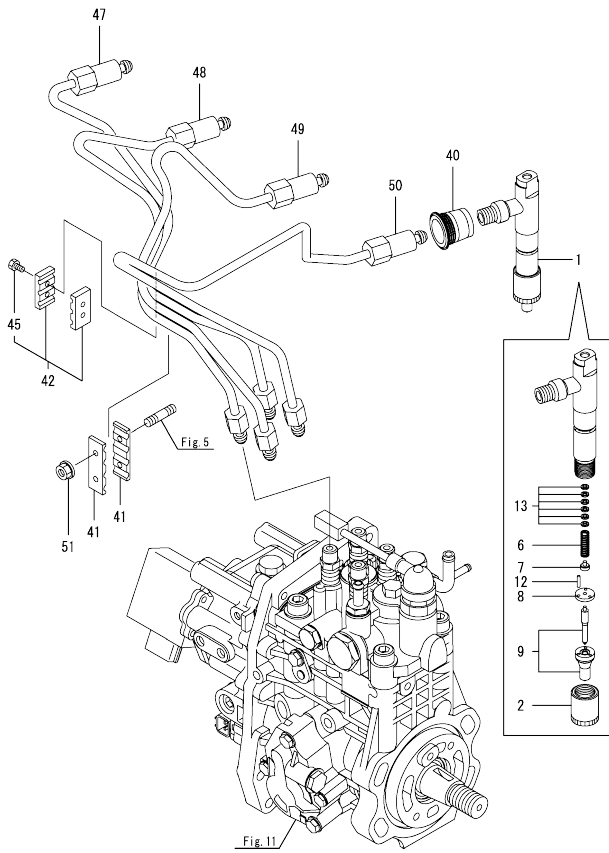
* This figure(Governor) is incorporated in the Fuel Injection Pump(Fig.11).

N:Old $\frac{100}{100}$ New, Q:Old $\frac{100}{100}$ New, R:Old $\frac{100}{100}$ New, S:Old $\frac{100}{100}$ New, W:Add, Z:Discontinued, F:Interchangeable by set, K:Qty Change
 Copyright (C) 2015 YANMAR GLOBAL CS CO., LTD. All Rights Reserved.

Fig.13. FUEL INJECTION VALVE

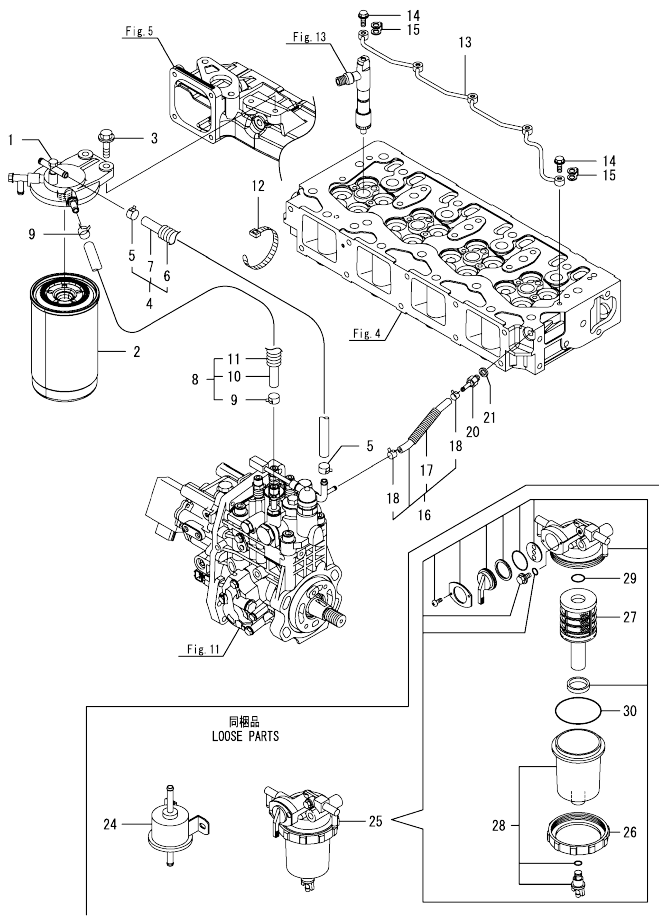
(A)=4TNV98-ZCVDB
(B)=
(C)=

(D)=
(E)=
(F)=



No.	Lev.	Parts No.	Description	Q'ty					
				(A)	(B)	(C)	(D)	(E)	(F)
1	1	729927-53200	FUEL INJECTOR ASSY	4					
2	2	114250-53080	NUT, NOZZLE	4					
6	2	114250-53120	SPRING, NOZZLE	4					
7	2	114250-53130	SEAT, SPRING	4					
8	2	114250-53140	SPACER	4					
9	2	129927-53200	NOZZLE ASSY, F.I.	4					
12	2	114250-53210	PIN	8					
13	2	119803-53400	SHIM SET	4					
40	1	123907-11601	SEAL, PIPE	4					
41	1	123472-59120	RETAINER, PIPE	2					
42	1	129150-59120	RETAINER, PIPE	1					
45	2	129150-59131	BOLT, M4X14	2					
47	1	129927-59810	PIPE ASSY, INJECTION	1					
48	1	129927-59820	PIPE ASSY, INJECTION	1					
49	1	129927-59830	PIPE ASSY, INJECTION	1					
50	1	129927-59840	PIPE ASSY, INJECTION	1					
51	1	26366-060002	NUT, M6	2					

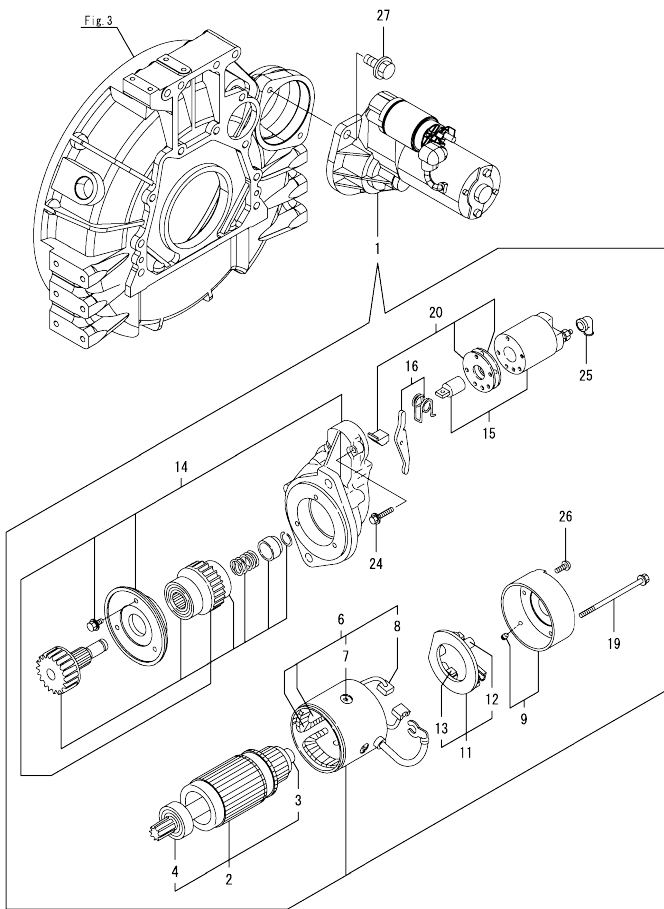
Fig.14. FUEL PIPE



No.	Lev.	Parts No.	Description	Q'ty						I	R
				(A)	(B)	(C)	(D)	(E)	(F)		
1	1	129004-55612	BRACKET, FILTER	1							
2	1	129907-55801	FILTER, FUEL	1							
3	1	26106-080302	BOLT, M8X 30 PLATED	2							
4	1	129457-59010	HOSE ASSY, FUEL	1							
5	2	124766-59050	CLAMP, HOSE 11.5	2							
6	2	129957-59120	TUBE, CORRUGATED 15	1							
7	2	105025-59750	HOSE, FUEL	1							
8	1	129961-59310	HOSE ASSY, FUEL	1							
9	2	124766-59050	CLAMP, HOSE 11.5	2							
10	2	129136-59110	HOSE, D13/7.5X270	1							
11	2	129961-59110	TUBE, CORRUGATED 15	1							
12	1	121750-59890	BAND, NYLON	1							
13	1	129907-59140	PIPE ASSY, RETURN	1							
14	1	123907-59540	BOLT, PIPE JOINT M6	5							
15	1	123907-59550	GASKET	5							
16	1	129927-59550	HOSE ASSY, RETURN	1							
17	2	129263-49750	TUBE, CORRUGATED	1							
18	2	124722-59050	CLAMP, HOSE 9	2							
20	1	123907-59560	JOINT, HOSE	1							
21	1	22190-080002	WASHER, SEAL 8	1							
24	1	129907-52100	PUMP, FUEL FEED	1							
25	1	129906-55711	SEPARATOR ASSY, WATER	1							
26	2	129100-55690	RING, CUP RETAINING	1							
27	2	119802-55710	ELEMENT	1							
28	2	119802-55730	CUP ASSY, SEPARATOR	1							
29	2	24311-000160	O-RING, 1AP16.0	1							
30	2	24321-000650	O-RING, 1AG65.0	1							

N:Old $\frac{100}{100}$ New, Q:Old $\frac{100}{100}$ New, R:Old $\frac{100}{100}$ New, S:Old $\frac{100}{100}$ New, W:Add, Z:Discontinued, F:Interchangeable by set, K:Qty Change
 Copyright (C) 2015 YANMAR GLOBAL CS CO., LTD. All Rights Reserved.

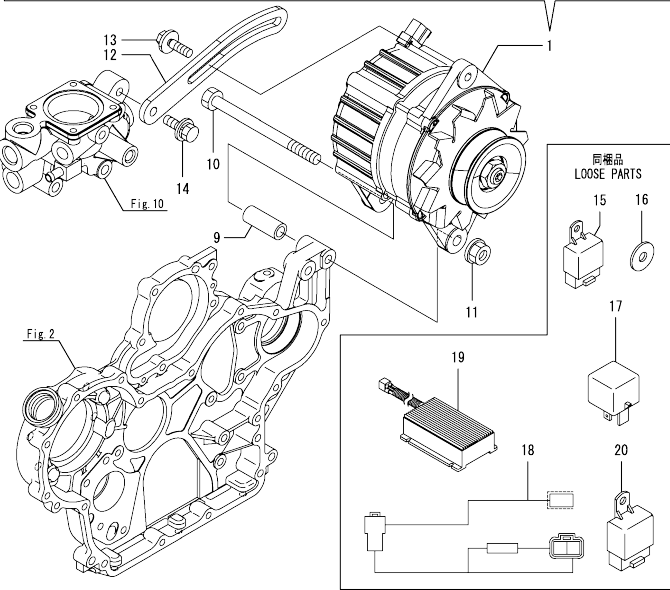
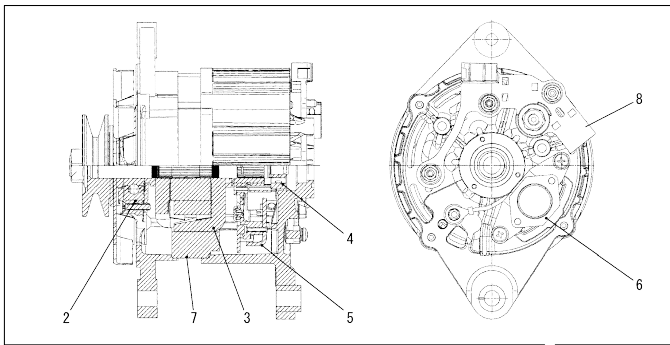
Fig.15. STARTER MOTOR



No.	Lev.	Parts No.	Description	Q'ty						I	R
				(A)	(B)	(C)	(D)	(E)	(F)		
1	1	119131-77011	STARTER ASSY, 3.5KW	1							
2	2	119131-77400	ARMATURE ASSY	1							
3	3	171008-77410	BEARING, BALL	1							
4	3	119131-77420	BEARING, BALL	1							
6	2	119131-77440	COIL ASSY, FIELD	1							
7	3	119260-77070	SCREW, CORE SET	4							
8	3	119131-77450	BRUSH	2							
9	2	119131-77460	COVER ASSY, REAR	1							
11	2	119131-77480	HOLDER ASSY, BRUSH	1							
12	3	119131-77490	SPRING, BRUSH	4							
13	3	119131-77500	BRUSH	2							
14	2	119131-77510	PINION	1							
15	2	119131-77590	SWITCH, MAGNET	1							
16	2	119131-77620	LEVER SET, SHIFT	1							
19	2	129400-77640	BOLT, THROUGH	2							
20	2	119131-77650	COVER KIT, DUST	1							
24	2	119131-77690	BOLT, COLLAR M 6X 37	2							
25	2	121254-77810	COVER, TERMINAL	1							
26	2	26557-040102	SCREW, M4X10	2							
27	1	26106-120252	BOLT, M12X 25 PLATED	2							

OCD50-M01550 4TNV98-ZCVDB
 Fig.16. GENERATOR

OCD50-M01550 Fig.16

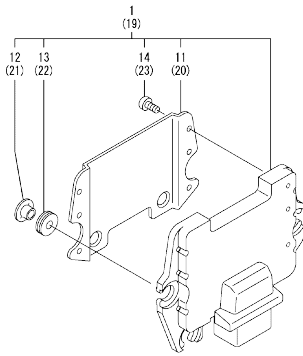


(A)=4TNV98-ZCVDB
 (B)=
 (C)=

(D)=
 (E)=
 (F)=

No.	Lev.	Parts No.	Description	Q'ty						I	R
				(A)	(B)	(C)	(D)	(E)	(F)		
1	1	129908-77260	ALTERNATOR	1							
2	2	129908-77780	BEARING, BALL FR	1							
3	2	129908-77790	ROTOR	1							
4	2	129908-77800	BEARING, BALL RR	1							
5	2	129908-77810	RECTIFIER	1							
6	2	129908-77820	REGULATOR	1							
7	2	129908-77830	STATOR	1							
8	2	129908-77840	PROTECTOR	1							
9	1	129470-77340	PIECE, DISTANCE	1							
10	1	26116-101302	BOLT, M10X130 PLATED	1							
11	1	26306-100002	NUT, M10	1							
12	1	129916-77300	ADJUSTER, BELT	1							
13	1	119810-77340	BOLT, ADJUST L=30	1							
14	1	26014-080252	BOLT, M8X 25	1							
15	1	172B02-17150	RELAY,CA C TYPE	1							
16	1	129927-77690	WASHER, ECU	3							
17	1	129927-77900	RELAY, ISO 90A	3							
18	1	129908-77951	HARNES	1							
19	1	129927-77950	CONVERTER, DC-DC	1							
20	1	129927-77980	RELAY, DC24V	3							

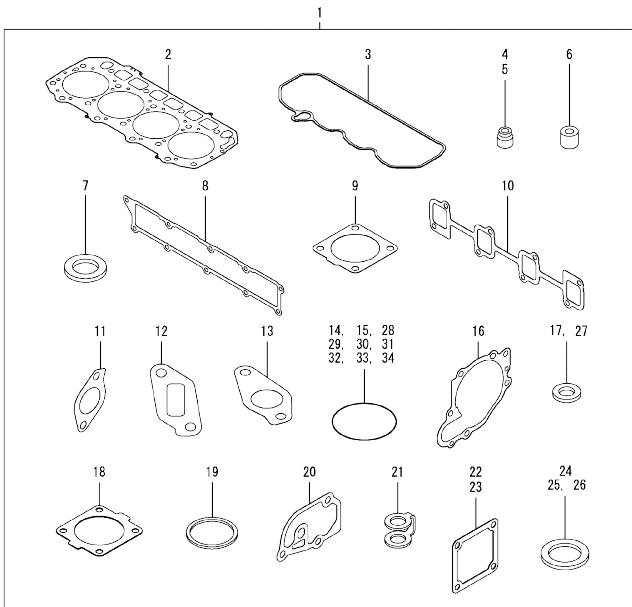
Fig.17. ELECTRONIC CONTROL UNIT(ECU)



No.	Lev.	Parts No.	Description	Q'ty						I	R
				(A)	(B)	(C)	(D)	(E)	(F)		
1	1	129923-75120	ECU ASSY,498-ZCVDB	1							1
11	2	129927-77600	SHIELD, ECU	1							
12	2	129927-77680	COLLAR, CONTROL	3							
13	2	119578-91351	ABSORBER	3							
14	2	22877-500080	SCREW, 5X 8	6							
19	1	129927-75900	ECU ASSY, SERVICE	1							2
20	2	129927-77600	SHIELD, ECU	1							
21	2	129927-77680	COLLAR, CONTROL	3							
22	2	119578-91351	ABSORBER	3							
23	2	22877-500080	SCREW, 5X 8	6							

Remarks
 (1)Eco ECU
 This part cannot be ordered.
 Replace the part using a Service ECU with the proper engine information installed.
 (2)Service ECU
 If the proper information is not installed, the engine will not operate.
 To install proper information, go to an authorized distributor.

Fig.18. GASKET SET



(A)=4TNV98-ZCVDB
(B)=
(C)=

(D)=
(E)=
(F)=

No.	Lev.	Parts No.	Description	Q'ty						I	R
				(A)	(B)	(C)	(D)	(E)	(F)		
1	1	129922-92610	GASKET KIT	1							1
2	2	129907-01331	GASKET, HEAD	1							
3	2	129933-11310	GASKET, BONNET	1							
4	2	119803-11340	SEAL, VALVE STEM	8							
5	2	124160-11340	SEAL, VALVE STEM	8							
6	2	119802-11870	PROTECTOR, NOZZLE	4							
7	2	119625-11880	SEAT, NOZZLE	4							
8	2	129907-12110	GASKET, MANIFOLD	1							
9	2	129930-13201	GASKET, SILENCER	2							
10	2	129900-13251	GASKET, EXH.MANIFOLD	1							
11	2	129927-13810	GASKET	1							
12	2	129927-13910	GASKET, EGR	1							
13	2	129927-13920	GASKET, EGR	1							
14	2	129900-32030	O-RING, P20	2							
15	2	129900-32040	O-RING, P14	1							
16	2	129900-42020	GASKET, WATER PUMP	1							
17	2	124465-44950	GASKET, 16	2							
18	2	121850-49540	GASKET, THERMOSTAT	1							
19	2	121850-49550	GASKET, THERMOSTAT	1							
20	2	129900-49870	GASKET, THERMOSTAT	1							
21	2	123907-59550	GASKET	5							
22	2	119129-77020	GASKET	2							
23	2	121850-77021	GASKET, AIR HEATER	1							
24	2	22190-080002	WASHER, SEAL 8	7							
25	2	22190-120002	WASHER, SEAL 12	1							
26	2	22190-220002	WASHER, SEAL 22	1							
27	2	23414-080000	GASKET, 8X1.0	1							
28	2	24311-000070	O-RING, 1AP7.0	1							
29	2	24311-000120	O-RING, 1AP12.0	8							
30	2	24311-000320	O-RING, 1AP32.0	2							
31	2	24321-000600	O-RING, 1AG60.0	1							
32	2	24341-000240	O-RING, 1AS24.0	1							
33	2	24341-000530	O-RING, 1AS53.0	1							
34	2	24351-030750	O-RING, 1A3075	1							

Remarks

(1)Optional parts.

Parts No. Index

Parts No.	Fig. No.	Ref. No.
105025-59750	14	7
114250-39450	9	27
114250-53080	13	2
114250-53120	13	6
114250-53130	13	7
114250-53140	13	8
114250-53210	13	12
119000-35140	9	17
119005-35151	9	39
119117-44760	10	16
119129-77020	5	7
	18	22
119129-77500	5	9
119129-77520	5	10
119131-18320	6	3
119131-77011	15	1
119131-77400	15	2
119131-77420	15	4
119131-77440	15	6
119131-77450	15	8
119131-77460	15	9
119131-77480	15	11
119131-77490	15	12
119131-77500	15	13
119131-77510	15	14
119131-77590	15	15
119131-77620	15	16
119131-77650	15	20
119131-77690	15	24
119260-77070	15	7
119578-91351	17	13
		22
119593-11301	4	27
119620-01750	3	3
119620-11180	4	12
119625-11880	4	23
	18	7
119640-61400	4	58
119802-11870	4	22
	18	6
119802-51680	11	68
119802-51690	11	69
119802-55710	14	27
119802-55730	14	28
119803-11340	4	13
	18	4
119803-53400	13	13
119810-77340	16	13
119852-51630	11	73
119852-51640	11	74

Parts No.	Fig. No.	Ref. No.
119852-51650	11	76
119934-59910	11	134
120130-22301	8	23
121254-77810	15	25
121450-42450	10	34
121520-34810	9	15
121750-59890	14	12
121850-21130	8	11
121850-21290	8	4
121850-21920	8	5
121850-49540	10	22
	18	18
121850-49550	10	24
	18	19
121850-49801	10	25
121850-77021	5	8
	18	23
123472-59120	13	41
123900-25060	7	9
123907-03100	4	52
123907-03110	4	53
123907-03120	4	54
123907-03140	4	55
123907-11280	4	32
123907-11550	4	1
123907-11601	13	40
123907-11820	4	19
123907-11830	4	18
123907-39500	9	30
123907-59540	14	14
123907-59550	14	15
	18	21
123907-59560	14	20
123912-33050	9	2
123912-33100	9	3
124160-01751	2	25
	4	47
124160-11340	4	14
	18	5
124160-11360	4	63
124240-01871	2	31
124465-44950	10	35
	18	17
124722-59050	14	18
124766-59050	14	5
		9
129004-55612	14	1
129005-59830	9	32
129008-51920	11	12
129008-61301	12	26

Parts No.	Fig. No.	Ref. No.
129100-01580	2	1
	3	1
129100-55690	14	26
129103-49301	9	8
129136-59110	14	10
129150-02450	7	4
129150-11230	4	35
		39
129150-11750	4	17
		36
		40
129150-14200	7	1
129150-25920	7	17
129150-59120	13	42
129150-59131	13	45
129263-13210	6	5
129263-49750	14	17
129263-77941	11	127
129400-77640	15	19
129418-18320	6	4
129457-59010	14	4
129466-49300	9	9
129470-77340	16	9
129657-51590	11	63
129657-51600	11	64
129900-01200	1	27
129900-01250	1	4
129900-01850	2	39
129900-01870	2	40
129900-02020	1	6
129900-02341	1	32
129900-02410	1	9
129900-02931	1	24
129900-02941	1	35
129900-13251	6	6
	18	10
129900-14100	7	6
129900-21200	8	3
129900-21600	8	14
129900-23001	8	25
129900-23200	8	28
129900-23601	8	29
129900-23611	8	32
129900-23911	8	31
129900-25100	7	10
129900-32001	2	4
129900-32030	2	16
	9	19
	18	14
129900-32040	2	17

Parts No.	Fig. No.	Ref. No.
129900-32040	18	15
129900-42020	10	11
	18	16
129900-49870	10	30
	18	20
129902-21000	8	1
129906-01640	3	8
129906-34851	9	16
129906-51580	11	61
129906-55711	14	25
129907-01331	1	28
	18	2
129907-01500	2	3
129907-03011	4	49
129907-03061	4	50
129907-03070	4	51
129907-07900	4	66
129907-11100	4	9
129907-11110	4	10
129907-11120	4	11
129907-11250	4	29
129907-11260	4	30
129907-11270	4	31
129907-11341	4	28
129907-11510	4	15
129907-11650	4	33
129907-11660	4	37
129907-11800	4	69
129907-11910	4	24
129907-11920	4	41
129907-11950	4	25
129907-12110	5	1
	18	8
129907-14400	7	2
129907-25900	7	15
129907-33010	9	1
129907-49050	9	5
129907-49630	9	10
129907-49650	9	12
129907-51560	11	58
129907-52100	14	24
129907-55801	14	2
129907-59140	14	13
129908-14581	7	3
129908-33101	9	4
129908-77260	16	1
129908-77780	16	2
129908-77790	16	3
129908-77800	16	4
129908-77810	16	5

Parts No. Index

Parts No.	Fig. No.	Ref. No.
129908-77820	16	6
129908-77830	16	7
129908-77840	16	8
129908-77951	16	18
129916-01790	3	6
129916-01800	2	38
129916-21610	8	7
129916-49530	10	21
129916-77300	16	12
129922-92610	18	1
129923-75120	17	1
129927-11320	4	48
129927-11700	4	2
129927-12100	5	3
129927-12150	5	2
129927-13101	6	2
129927-13150	6	1
129927-13800	6	9
129927-13810	6	10
	18	11
129927-13910	6	14
	18	12
129927-13920	6	15
	18	13
129927-22050	8	17
129927-22080	8	15
129927-39060	9	28
129927-42001	10	1
129927-42140	2	18
129927-44900	10	19
129927-49610	10	36
129927-49620	10	40
129927-51250	11	141
129927-51390	11	25
129927-51650	11	125
129927-51660	11	126
129927-51670	11	129
129927-53200	13	9
129927-59550	14	16
129927-59810	13	47
129927-59820	13	48
129927-59830	13	49
129927-59840	13	50
129927-75900	17	19
129927-77600	17	11
		20
129927-77680	17	12
		21
129927-77690	16	16
129927-77900	16	17

Parts No.	Fig. No.	Ref. No.
129927-77950	16	19
129927-77980	16	20
129928-13900	6	13
129928-51900	11	11
129930-13201	6	18
	18	9
129932-14580	7	3 -1
129933-11310	4	57
	18	3
129933-21620	8	8
129938-49800	10	18
129939-07920	4	67
129940-01720	3	7
129944-42400	10	14
129951-01740	2	27
129953-21560	8	12
129953-25300	7	14
129953-35000	9	20
129957-59120	14	6
129960-21930	8	9
129960-21940	8	10
129961-59110	14	11
129961-59310	14	8
129981-01600	3	2
129C26-01890	2	32
129E00-13650	6	7
144626-51090	11	13
158552-51571	11	59
158552-51580	11	62
158552-51670	11	130
158552-51781	11	101
158552-52100	11	132
158552-52311	11	110
158552-52400	11	111
158552-52500	11	133
158553-51670	11	67
158553-51680	11	79
158553-51930	11	104
	12	2
158553-61780	12	27
158557-51570	11	60
158557-61720	12	16
158563-51150	7	16
158563-51281	11	23
		24
158563-51330	11	35
158600-51270	11	22
158601-51550	11	57
158601-51650	11	128
158601-51770	11	100

Parts No.	Fig. No.	Ref. No.
158601-51790	11	102
171008-77410	15	3
171031-11741	2	34
171051-01921	1	5
172B02-17150	16	15
175339-79700	4	59
22190-080002	9	33
		35
		37
	14	21
	18	24
22190-120002	10	27
	11	105
		112
		136
	12	28
	18	25
22190-180002	11	106
22190-220002	18	26
22217-050000	11	137
22217-180000	11	113
22252-000300	8	24
22312-050140	11	114
22351-050010	11	115
22351-060012	1	11
22512-070140	7	7
	8	6
22857-500100	4	60
		61
22877-500080	17	14
		23
23000-025000	9	13
23080-012000	10	39
		43
23414-080000	10	31
	18	27
23857-030000	9	34
23875-030000	10	28
23876-020000	4	6
23876-030000	1	12
		13
		14
	4	7
24311-000070	2	19
	11	116
	18	28
24311-000120	4	26
		64
	18	29
24311-000160	14	29

Parts No.	Fig. No.	Ref. No.
24311-000320	2	26
		35
	4	65
	18	30
24321-000600	9	14
	18	31
24321-000650	14	30
24341-000240	18	32
24341-000480	12	22
24341-000530	18	33
24351-030750	2	20
	18	34
24356-190200	11	70
		117
24356-240210	11	118
24372-000150	11	71
25153-004500	10	15
26014-080252	16	14
26106-060102	11	119
26106-060122	4	62
	11	138
26106-060162	12	23
26106-060202	10	29
26106-060252	12	29
26106-060302	10	12
26106-060352	11	120
26106-080122	3	10
	9	25
		36
		38
	10	32
26106-080142	7	8
26106-080162	2	21
		33
		41
	4	68
	9	26
26106-080202	2	22
		28
	11	142
26106-080252	12	24
26106-080302	11	143
	14	3
26106-080402	2	42
	4	43
26106-080452	2	23
		29
	5	5
		11
26106-080552	7	13

Parts No. Index

Parts No.	Fig. No.	Ref. No.
26106-080552	10	13
26106-080602	4	44
		45
	10	33
26106-080702	2	43
26106-080752	2	30
26106-080802	5	6
	10	17
26106-080952	5	12
26106-100302	6	11
		16
26106-100952	6	17
26106-120252	15	27
26116-101302	16	10
26206-100352	3	4
26206-100702	3	5
26216-060202	5	4
26216-100302	2	15
26226-080222	4	42
26306-080002	4	46
	6	8
		12
26306-100002	2	24
	16	11
26366-060002	13	51
26450-100452	11	121
26557-040102	15	26
26716-050002	11	139
26776-180002	11	122
27241-160000	11	140
27241-300000	1	10
27241-400000	4	8
27310-070001	4	20
729900-02801	1	29
729907-01559	2	36
729923-51330	11	1
729927-01560	1	1
729927-22900	8	34
729927-22950	8	36
729927-53200	13	1

Parts No.	Fig. No.	Ref. No.
-----------	----------	----------

Parts No.	Fig. No.	Ref. No.
-----------	----------	----------

Parts No.	Fig. No.	Ref. No.
-----------	----------	----------