

0CD10-M97600EN

# PREFACE

1. This parts catalog is the 1st edition of 4TNV98T-ZSTBW for Takeuchi Mfg. Co., Ltd.

Pub.No. : 000Y00D9760

Published : September,2007

2. Model name

Engine model	Vehicle		Vehicle made by
	Products	Model name	
4TNV98T-ZSTBW	Excavator	TB175W	Takeuchi Mfg. Co., Ltd.

## Contents

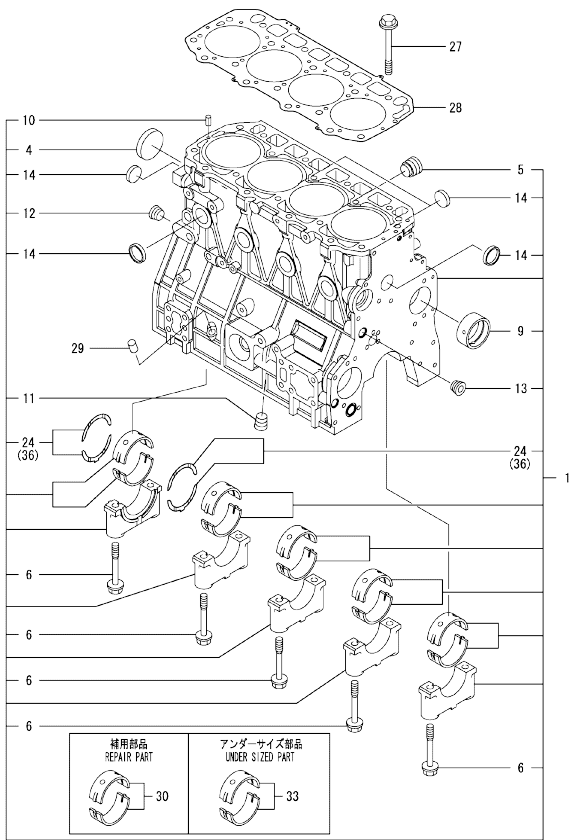
OCD10-M97600

Fig. No.	Fig. Name	Fig. No.	Fig. Name
4	TNV98T-ZSTBW		
1.	CYLINDER BLOCK		
2.	GEAR HOUSING		
3.	FLYWHEEL HOUSING & OIL SUMP		
4.	CYLINDER HEAD & BONNET		
5.	SUCTION MANIFOLD & AIR CLEANER		
6.	EXHAUST MANIFOLD & SILENCER		
7.	CAMSHAFT & DRIVING GEAR		
8.	TURBINE		
9.	CRANKSHAFT & PISTON		
10.	HYDRAULIC PUMP		
11.	LUB.OIL SYSTEM		
12.	LUB.OIL LINE		
13.	COOLING WATER SYSTEM		
14.	FUEL INJECTION PUMP		
15.	GOVERNOR		
16.	FUEL INJECTION VALVE		
17.	FUEL LINE		
18.	STARTING MOTOR		
19.	GENERATOR		
23.	GENERATOR(19A)		
20.	ELECTRONIC CONTROL UNIT (ECU)		
21.	GASKET SET		
22.	LOOSE PART		

Fig.1. CYLINDER BLOCK

(A)=4TNV98T-ZSTBW  
(B)=  
(C)=

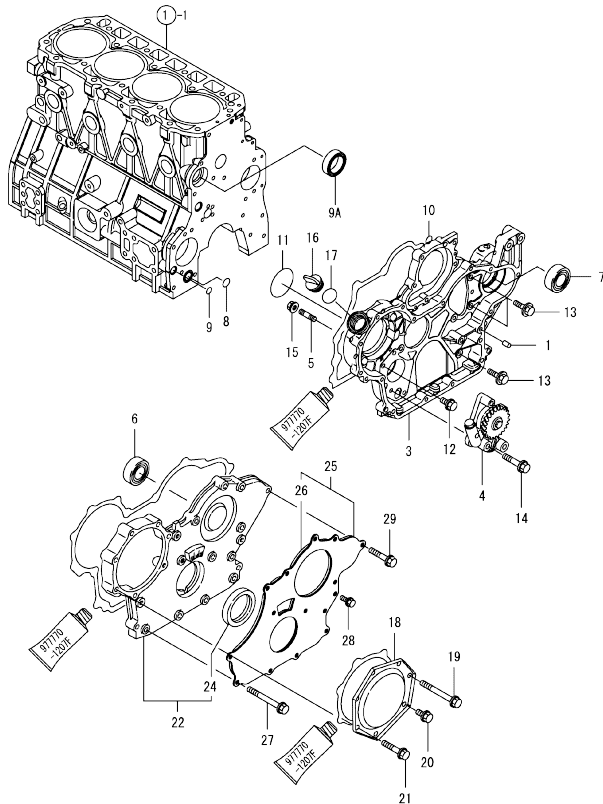
(D)=  
(E)=  
(F)=



No.	Lev.	Parts No.	Description	Q'ty						I	R
				(A)	(B)	(C)	(D)	(E)	(F)		
1	1	729928-01560	BLOCK ASSY, CYLINDER	1							
4	2	129900-01250	PLUG, DISH TYPE 55	1							
5	2	171051-01921	PLUG, NPTF1	1							
6	2	129900-02020	BOLT, METAL CAP	10							
9	2	129900-02410	BUSH, CAMSHAFT	1							
10	2	22351-060012	PIN, SPRING 6.0X12	2							
11	2	23876-030000	PLUG, R03	1							
12	2	23876-030000	PLUG, R03	1							
13	2	23876-030000	PLUG, R03	1							
14	2	27241-300000	PLUG 30	8							
24	2	129900-02931	BEARING ASSY, THRUST	2							
27	1	129900-01200	BOLT, CYLINDER HEAD	18							
28	1	129907-01331	GASKET, HEAD	1							
29	1	119309-01810	PLUG	1							
30	1	729900-02801	BEARING, MAIN	5							1
33	1	129900-02341	BEARING ASSY, MAIN	5							2
36	1	129900-02941	BEARING, THRUST 0.25	2							3

Remarks  
(1) REPAIR PART.  
(2) UNDER-SIZED(U.S=0.25)PART.  
(3) OVER-SIZED(O.S=0.25)PART.

OCD10-M97600 4TNV98T-ZSTBW  
 Fig.2. GEAR HOUSING



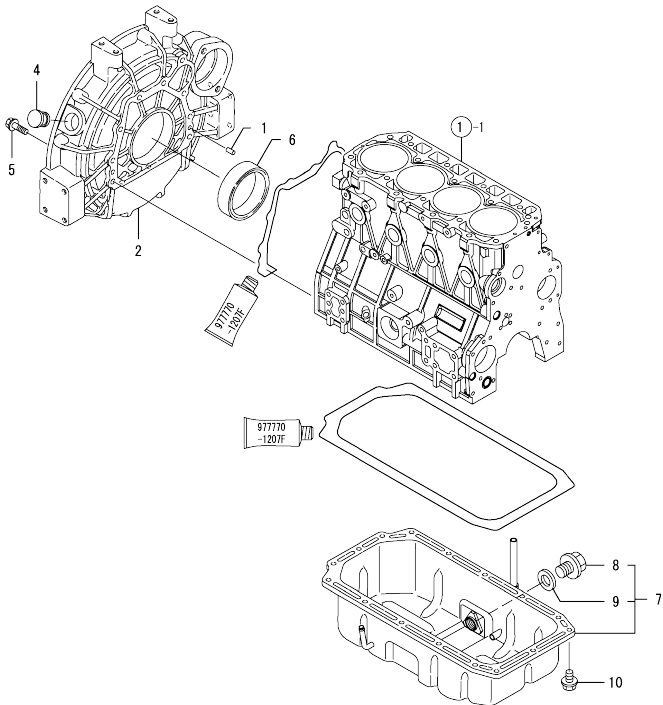
OCD10-M97600 Fig.2

No.	Lev.	Parts No.	Description	Qty						I	R
				(A)	(B)	(C)	(D)	(E)	(F)		
1	1	129100-01580	PIN, PARALLEL 8X16	4							
3	1	129948-01500	CASE ASSY, GEAR	1							
3-1	1	129908-01500	CASE, GEAR	1						F	1
(A=E68688)											
4	1	129908-32060	PUMP ASSY, OIL	1							
5	1	26216-100302	STUD, M10X 30	4							
6	1	129900-26250	BEARING, BALL 6206C3	1							
7	1	129900-26250	BEARING, BALL 6206C3	1							
8	1	129900-32030	O-RING, P20	1							
9	1	129900-32040	O-RING, P14	1							
9A	1	129927-42140	GASKET, PUMP OUTLET	1							W
(A=2014.09)											
10	1	24311-000070	O-RING, 1AP7.0	1							
11	1	24351-030750	O-RING, 1A3075	1							
12	1	26106-080162	BOLT, M8X 16 PLATED	1							
13	1	26106-080202	BOLT, M8X 20 PLATED	3							
14	1	26106-080452	BOLT, M8X 45 PLATED	3							
15	1	26306-100002	NUT, M10	4							
16	1	124160-01751	CAP, FILLER	1							
17	1	24311-000320	O-RING, 1AP32.0	1							
18	1	129900-01740	COVER	1							
19	1	129001-91810	BOLT, M8X70	1							
20	1	26106-080162	BOLT, M8X 16 PLATED	1							
21	1	26106-080402	BOLT, M8X 40 PLATED	5							
22	1	729907-01559	COVER ASSY, CASE	1							
24	2	129916-01800	SEAL, OIL	1							
25	1	129900-01850	COVER ASSY,GEAR CASE	1							
26	2	129900-01870	SPONGE, GEAR CASE	1							
27	1	129001-91810	BOLT, M8X70	6							
28	1	26106-080162	BOLT, M8X 16 PLATED	3							
29	1	26106-080402	BOLT, M8X 40 PLATED	5							

Remarks  
 (1)Ref.No.3-1is  
 interchangeable by set with  
 Fig.No.13, Ref. No. 15-1,  
 and Fig. No. 23 and Ref. No. 1, 13.

N:Old  $\frac{100}{100}$  New, Q:Old  $\frac{100}{100}$  New, R:Old  $\frac{100}{100}$  New, S:Old  $\frac{100}{100}$  New, W:Add, Z:Discontinued, F:Interchangeable by set, K:Qty Change  
 Copyright (C) YANMAR GLOBAL CS CO., LTD. All Rights Reserved.

Fig.3. FLYWHEEL HOUSING & OIL SUMP

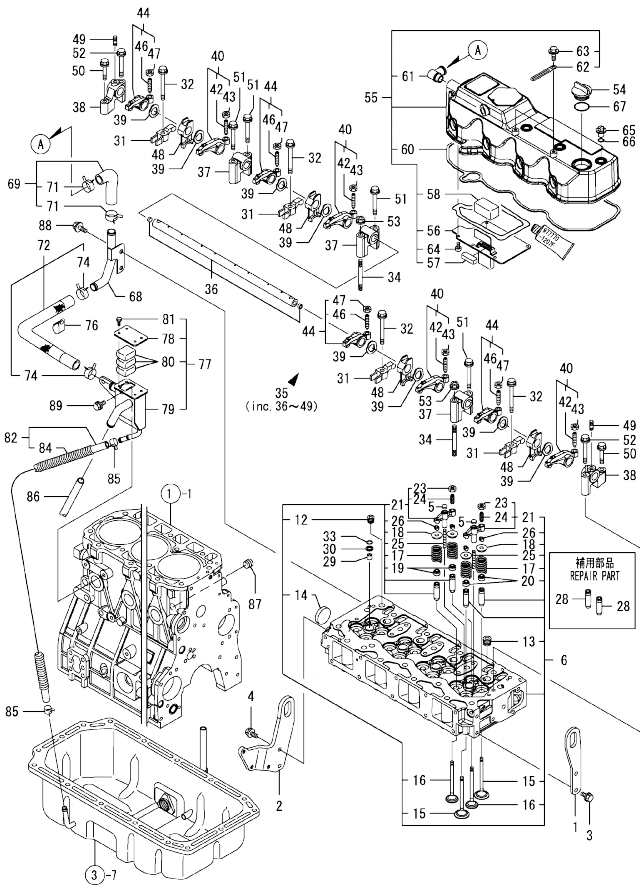


(A)=4TNV98T-ZSTBW  
(B)=  
(C)=

(D)=  
(E)=  
(F)=

No.	Lev.	Parts No.	Description	Q'ty					
				(A)	(B)	(C)	(D)	(E)	(F)
1	1	129100-01580	PIN, PARALLEL 8X16	2					
2	1	129951-01620	HOUSING, FLYWHEEL	1					
4	1	119000-01840	PLUG, RUBBER	1					
5	1	26206-100352	BOLT, M10X 35 PLATED	9					
6	1	129916-01790	SEAL, D115/95XT11	1					
7	1	129948-01710	OIL PAN ASSY	1					
8	2	119640-01640	PLUG, DRAIN M22	1					
9	2	22190-220002	WASHER, SEAL 22	1					
10	1	26106-080122	BOLT, M8X 12 PLATED	16					

Fig.4. CYLINDER HEAD & BONNET



(A)=4TNV98T-ZSTBW  
(B)=  
(C)=

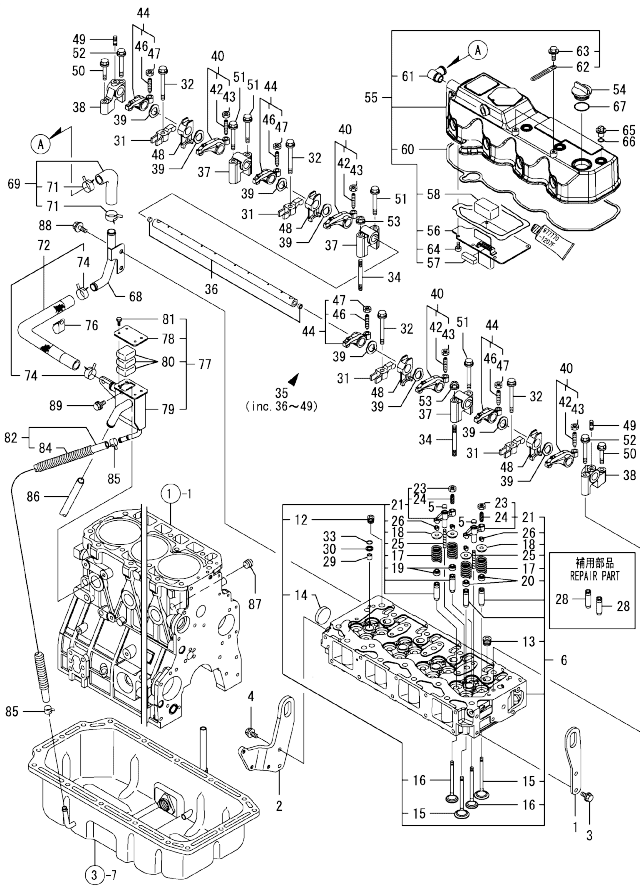
(D)=  
(E)=  
(F)=

No.	Lev.	Parts No.	Description	Q'ty						I	R
				(A)	(B)	(C)	(D)	(E)	(F)		
1	1	129907-07900	LIFTER, ENGINE	1							
2	1	129928-07900	LIFTER, ENGINE	1							
3	1	26106-080162	BOLT, M8X 16 PLATED	2							
4	1	26106-080202	BOLT, M8X 20 PLATED	2							
5	1	123907-11550	SEAT, VALVE BRIDGE	8							
6	1	129928-11700	HEAD ASSY, CYLINDER	1							
12	2	23876-020000	PLUG, R02	1							
13	2	23876-030000	PLUG, R03	4							
14	2	27241-400000	PLUG, 40	1							
15	2	129907-11100	VALVE, SUCTION	8							
16	2	129907-11110	VALVE, EXHAUST	8							
17	2	129907-11120	SPRING, VALVE	16							
18	2	119620-11180	RETAINER, SPRING	16							
19	2	119803-11340	SEAL, VALVE STEM	8							
20	2	124160-11340	SEAL, VALVE STEM	8							
21	2	129907-11510	BRIDGE ASSY, VALVE	8							
23	3	129150-11750	NUT, M8	8							
24	3	123907-11830	ADJUSTER	8							
25	2	123907-11820	GUIDE, BRIDGE	8							
26	2	27310-070001	COTTER, 7	16							
28	1	129907-11800	GUIDE, VALVE	16							1
29	1	119802-11870	PROTECTOR, NOZZLE	4							
30	1	119625-11880	SEAT, NOZZLE	4							
31	1	129907-11910	RETAINER, NOZZLE	4							
32	1	129907-11950	BOLT, M8X75	4							
33	1	24311-000120	O-RING, 1AP12.0	4							
34	1	119593-11301	BOLT, STUD M8X80	2							
35	1	129907-11341	SHAFT ASSY, ROCKER	1							
36	2	129907-11250	SHAFT, ROCKER ARM	1							
37	2	129907-11260	SUPPORT, ROCKER ARM	3							
38	2	129907-11270	SUPPORT, ROCKER ARM	2							
39	2	123907-11280	WASHER	8							
40	2	129907-11650	ARM ASSY, ROCKER	4							
42	3	129150-11230	SCREW, VALVE ADJUST	4							
43	3	129150-11750	NUT, M8	4							
44	2	129907-11660	ARM ASSY, ROCKER	4							
46	3	129150-11230	SCREW, VALVE ADJUST	4							
47	3	129150-11750	NUT, M8	4							
48	2	129907-11920	RETAINER, NOZZLE	4							
49	2	26226-080222	STUD, M8X 22	2							
50	1	26106-080402	BOLT, M8X 40 PLATED	2							
51	1	26106-080602	BOLT, M8X 60 PLATED	4							
52	1	26106-080602	BOLT, M8X 60 PLATED	2							
53	1	26306-080002	NUT, M8	2							
54	1	124160-01751	CAP, FILLER	1							
55	1	129928-11320	BONNET ASSY, HEAD	1							
56	2	129907-03011	PLATE, BAFFLE	1							
57	2	129907-03061	BAFFLE, BREATHER	1							
58	2	129907-03070	BAFFLE, BREATHER	1							
60	2	129933-11310	GASKET, BONNET	1							
61	2	119100-11330	ELBOW, BREATHER	1							

Remarks  
(1) REPAIR PART.

N:Old, N:New, Q:Old, Q:New, R:Old, R:New, S:Old, S:New, W:Add, Z:Discontinued, F:Interchangeable by set, K:Q'ty Change  
++ CONTINUE ++  
Copyright (C) YANMAR GLOBAL CS CO., LTD. All Rights Reserved.

Fig.4. CYLINDER HEAD & BONNET



(A)=4TNV98T-ZSTBW  
(B)=  
(C)=

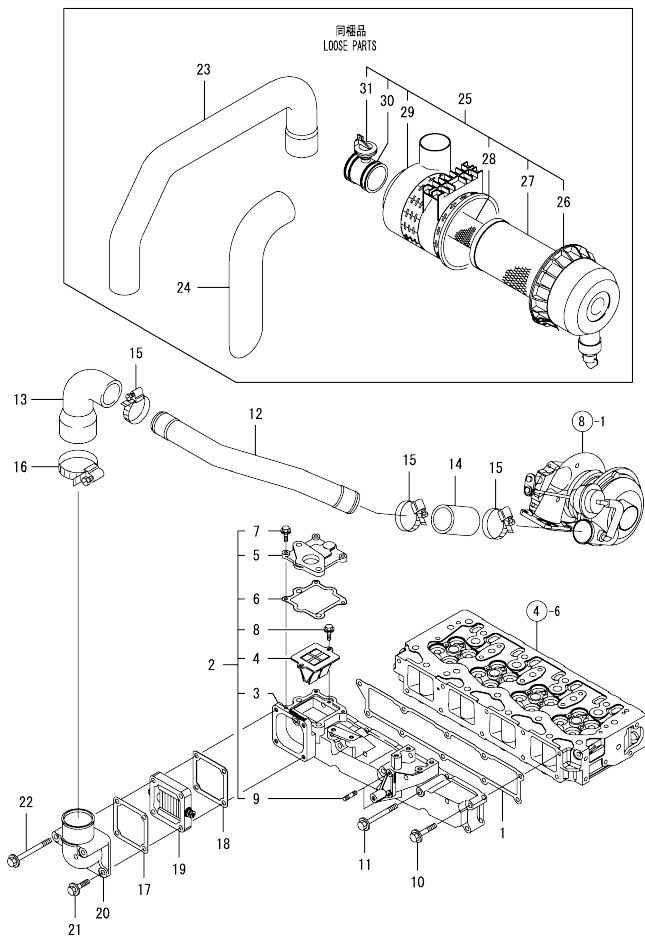
(D)=  
(E)=  
(F)=

No.	Lev.	Parts No.	Description	Q'ty						I	R	
				(A)	(B)	(C)	(D)	(E)	(F)			
62	2	129509-79700	CLAMP, 140-M6									
63	2	26106-060122	BOLT, M6X 12 PLATED									
64	2	22857-500100	SCREW, 5X10									
65	1	124160-11360	KNOB									
66	1	24311-000120	O-RING, 1AP12.0									
67	1	24311-000320	O-RING, 1AP32.0									
68	1	129928-03050	PIPE, BREATHER									
69	1	129928-03060	HOSE ASSY, BREATHER									
71	2	129410-03990	CLAMP, HOSE 21.5									
72	1	129928-03080	HOSE ASSY, BREATHER									
74	2	129410-03990	CLAMP, HOSE 21.5									
76	1	129150-03100	RETAINER, PIPE									
77	1	129972-03240	SEPARATOR ASSY, MIST									
78	2	129972-03220	COVER, SEPARATOR									
79	2	129972-03230	SEPARATOR, MIST									
80	2	12390-1-03240	FILTER									
81	2	26116-050102	BOLT, M5X 10 PLATED									
82	1	129928-03300	HOSE ASSY, RETURN									
84	2	129928-59130	TUBE, CORRUGATED 19									
85	1	23000-019000	CLAMP, 19									
86	1	23065-160250	PIPE, 16X 250									
87	1	23876-030000	PLUG, R03									
88	1	26106-080122	BOLT, M8X 12 PLATED									
89	1	26106-080142	BOLT, M8X 14 PLATED									

Remarks  
(1) REPAIR PART.



Fig.5. SUCTION MANIFOLD & AIR CLEANER

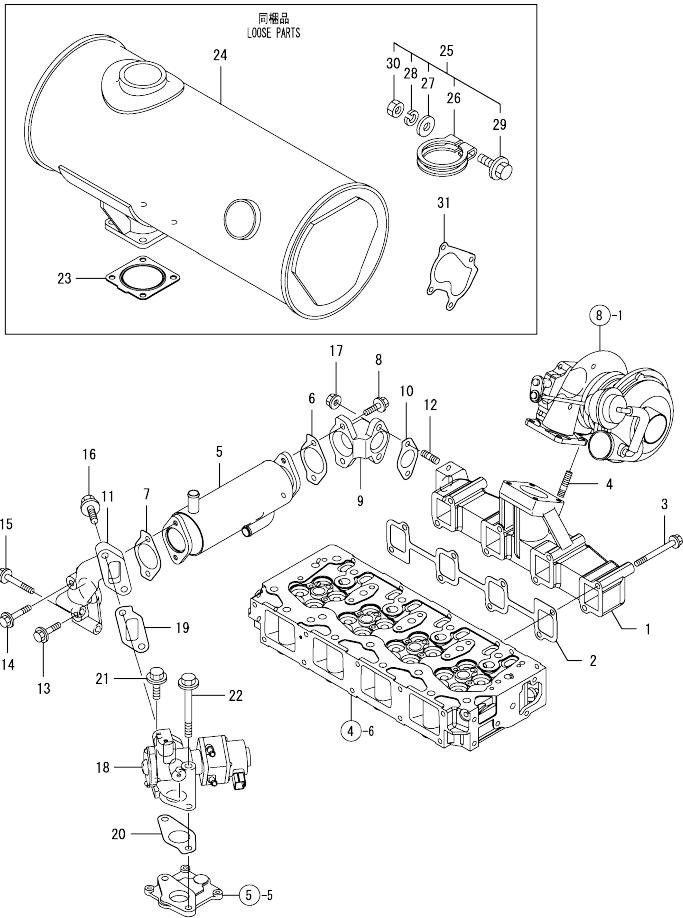


(A)=4TNV98T-ZSTBW  
(B)=  
(C)=

(D)=  
(E)=  
(F)=

No.	Lev.	Parts No.	Description	Q'ty						I	R
				(A)	(B)	(C)	(D)	(E)	(F)		
1	1	129907-12110	GASKET, MANIFOLD	1							
2	1	129928-12150	MANIFOLD ASSY,INTAKE	1							
3	2	129928-12100	MANIFOLD, AIR INTAKE	1							
4	2	129928-13700	VALVE, LEAD	1							
5	2	129928-13710	SPACER, EGR VALVE	1							
6	2	129928-13720	GASKET	1							
7	2	26106-060202	BOLT, M6X 20 PLATED	3							
8	2	26106-060202	BOLT, M6X 20 PLATED	2							
9	2	26216-060202	STUD, M6X 20	2							
10	1	26106-080452	BOLT, M8X 45 PLATED	6							
11	1	26106-080802	BOLT, M8X 80 PLATED	4							
12	1	129949-18200	DUCT, AIR	1							
13	1	129949-18210	JOINT, RUBBER	1							
14	1	123951-18220	JOINT, RUBBER	1							
15	1	23000-054000	CLAMP, 54	3							
16	1	23000-070000	CLAMP, 70	1							
17	1	119129-77020	GASKET	1							
18	1	121850-77021	GASKET, AIR HEATER	1							
19	1	119005-77050	HEATER, AIR	1							
20	1	119129-77520	BEND	1							
21	1	26106-080402	BOLT, M8X 40 PLATED	2							
22	1	26106-080902	BOLT, M8X 90 PLATED	2							
23	1	129953-12210	HOSE, AIR INTAKE	1							
24	1	129953-12250	HOSE, AIR INTAKE	1							
25	1	129948-12510	AIR CLEANER ASSY	1							
26	2	129948-12610	HOUSING, CLEANER	1							
27	2	129948-12620	ELEMENT, AIR CLEANER	1							
28	2	129948-12630	ELEMENT, AIR CLEANER	1							
29	2	129948-12640	BRACKET	1							
30	2	129948-12650	JOINT	1							
31	2	129948-12660	INDICATOR, CLEANER	1							

Fig.6. EXHAUST MANIFOLD & SILENCER

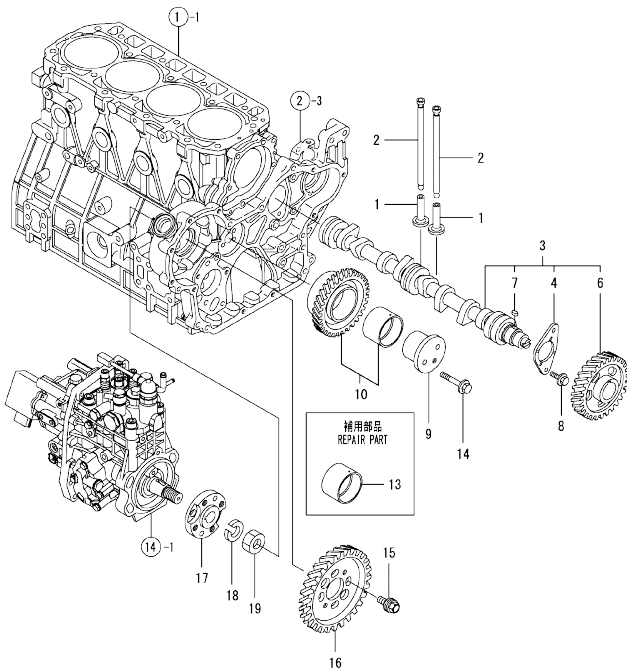


(A)=4TNV98T-ZSTBW  
(B)=  
(C)=

(D)=  
(E)=  
(F)=

No.	Lev.	Parts No.	Description	Q'ty						I	R
				(A)	(B)	(C)	(D)	(E)	(F)		
1	1	129948-13100	MANIFOLD, EXHAUST	1							
2	1	129900-13251	GASKET, EXH.MANIFOLD	1							
3	1	123900-13630	BOLT, M8X80	8							
4	1	119131-18320	BOLT, STUD M8X22	4							
5	1	129928-13400	COOLER ASSY, EGR	1							
6	1	129928-13410	GASKET	1							
7	1	129928-13410	GASKET	1							
8	1	119802-13790	BOLT, M8X25 10.9T	2							
9	1	129928-13800	PIPE, EGR IN	1							
10	1	129927-13810	GASKET	1							
11	1	129928-13810	PIPE, EGR OUT	1							
12	1	129418-18320	BOLT, STUD M8X20	2							
13	1	26106-080352	BOLT, M8X 35 PLATED	1							
14	1	26106-080452	BOLT, M8X 45 PLATED	1							
15	1	26106-080552	BOLT, M8X 55 PLATED	2							
16	1	26106-100252	BOLT, M10X 25 PLATED	2							
17	1	26306-080002	NUT, M8	2							
18	1	129927-13900	VALVE, EGR	1							
19	1	129927-13910	GASKET, EGR	1							
20	1	129927-13920	GASKET, EGR	1							
21	1	26106-100402	BOLT, M10X 40 PLATED	1							
22	1	26106-101052	BOLT, M10X105 PLATED	1							
23	1	129930-13201	GASKET, SILENCER	2							
24	1	129940-13500	SILENCER	1							
25	1	129640-13590	CLAMP ASSY	1							
26	2	129640-13580	CLAMP	1							
27	2	22117-100000	WASHER, 10	1							
28	2	22217-100000	WASHER, SPRING 10	1							
29	2	26106-100652	BOLT, M10X 65 PLATED	1							
30	2	26706-100002	NUT, M10	1							
31	1	123901-18080	GASKET	1							

Fig.7. CAMSHAFT & DRIVING GEAR



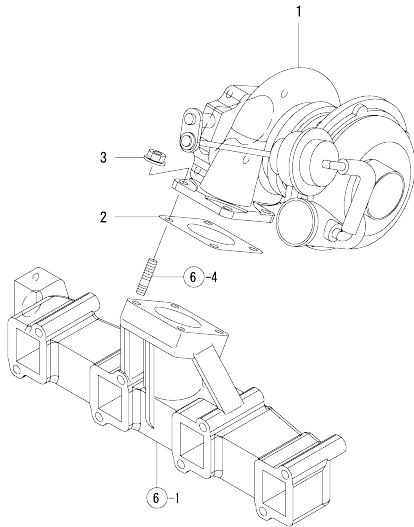
(A)=4TNV98T-ZSTBW  
(B)=  
(C)=

(D)=  
(E)=  
(F)=

No.	Lev.	Parts No.	Description	Q'ty						I	R
				(A)	(B)	(C)	(D)	(E)	(F)		
1	1	129150-14200	TAPPET	8							
2	1	129907-14400	PUSH-ROD	8							
3	1	129908-14581	CAMSHAFT ASSY	1							
4	2	129150-02450	BEARING, THRUST	1							
6	2	129900-14100	GEAR, CAMSHAFT	1							
7	2	22512-070140	KEY, 7X 14	1							
8	1	26106-080162	BOLT, M8X 16 PLATED	2							
9	1	123900-25060	SHAFT, IDLE GEAR	1							
10	1	129900-25100	GEAR ASSY, IDLE	1							
13	1	129150-25920	BUSH, IDLE GEAR	1							1
14	1	26106-080552	BOLT, M8X 55 PLATED	3							
15	1	129953-25300	BOLT	4							
16	1	129907-25900	GEAR, PUMP	1							
17	1	158563-51150	FLANGE	1							
18	1	22217-180000	WASHER, SPRING 18	1							
19	1	26776-180002	NUT, LOCK M18	1							

Remarks  
(1) REPAIR PART.

Fig.8. TURBINE

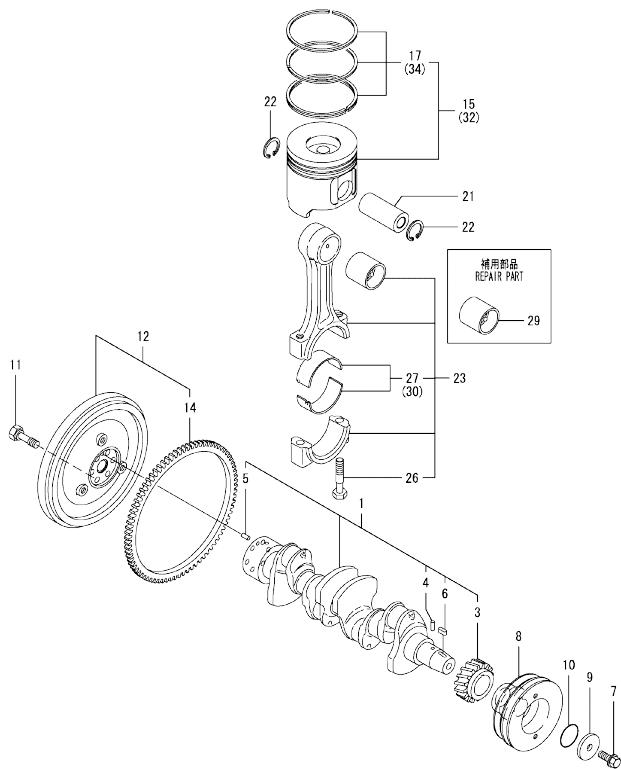


(A)=4TNV98T-ZSTBW  
(B)=  
(C)=

(D)=  
(E)=  
(F)=

No.	Lev.	Parts No.	Description	Q'ty						I	R
				(A)	(B)	(C)	(D)	(E)	(F)		
1	1	129908-18010	TURBOCHARGER, RHF5	1							
1-1	1	129948-18010 (A=2008.01.)	TURBOCHARGER, RHF5	1							N
2	1	129472-18090	GASKET	1							
3	1	26306-080002	NUT, M8	4							

Fig.9. CRANKSHAFT & PISTON



(A)=4TNV98T-ZSTBW  
(B)=  
(C)=

(D)=  
(E)=  
(F)=

No.	Lev.	Parts No.	Description	Q'ty						I	R
				(A)	(B)	(C)	(D)	(E)	(F)		
1	1	129908-21000	CRANKSHAFT ASSY	1							
3	2	129900-21200	GEAR, CRANKSHAFT	1							
4	2	121850-21290	PIN	1							
5	2	121850-21920	PIN, PARALLEL 10X22	1							
6	2	22512-070140	KEY, 7X 14	1							
7	1	129916-21610	BOLT	1							
8	1	129948-21610	V-PULLEY, CRANKSHAFT	1							
9	1	129960-21640	WASHER	1							
10	1	24341-000530	O-RING, 1AS53.0	1							
11	1	121850-21130	BOLT, FLYWHEEL	6							
12	1	129902-21580	FLYWHEEL ASSY	1							
14	2	127410-21480	GEAR, RING Z=129	1							
15	1	129928-22080	PISTON ASSY	4							
17	2	129927-22050	RING SET, PISTON	4							
21	1	120130-22301	PIN, PISTON	4							
22	1	22252-000300	RING, 30	8							
23	1	129900-23001	ROD ASSY, CONNECTING	4							
26	2	129900-23200	BOLT, CONNECTING ROD	8							
27	2	129900-23601	BEARING, CRANK PIN	4							
29	1	129900-23911	BEARING, PISTON PIN	4							1
30	1	129900-23611	BEARING ASSY, 0.25US	4							2
32	1	729928-22900	PISTON ASSY, 0.25 OS	4							3
34	2	729927-22950	RING SET, 0.25 OS	4							3

Remarks

- (1) REPAIR PART.
- (2) UNDER-SIZED(U.S=0.25)PART.
- (3) OVER-SIZED(O.S=0.25)PART.

OCD10-M97600 4TNV98T-ZSTBW

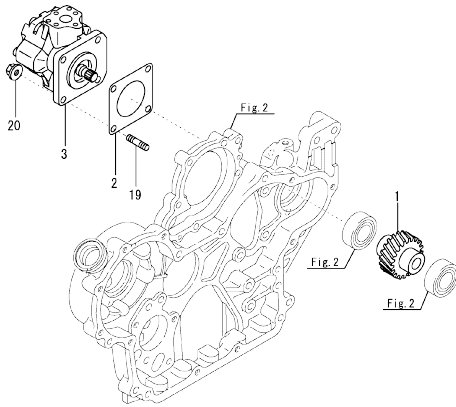
Fig.10. HYDRAULIC PUMP

OCD10-M97600 Fig.10

(A)=4TNV98T-ZSTBW  
(B)=  
(C)=

(D)=  
(E)=  
(F)=

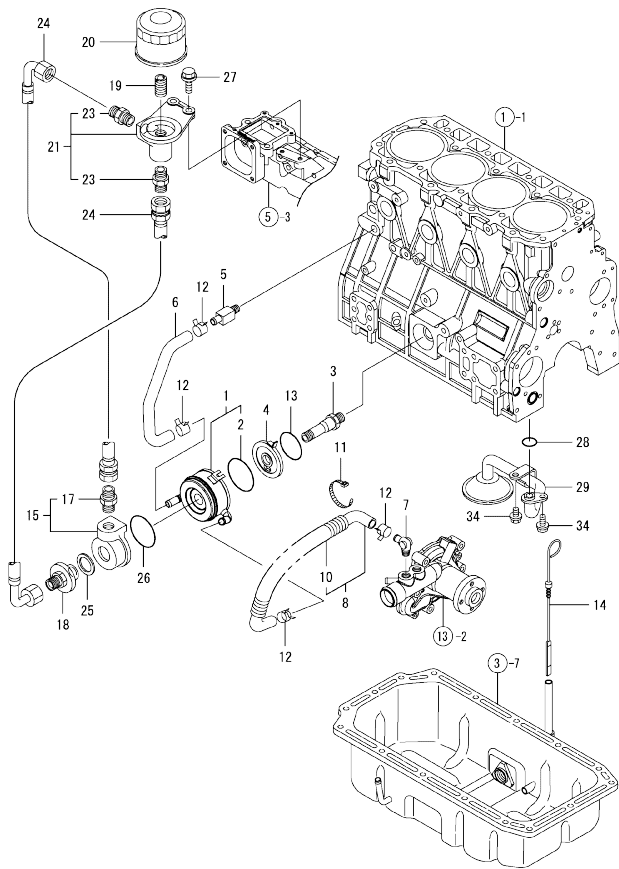
No.	Lev.	Parts No.	Description	Q'ty						I	R
				(A)	(B)	(C)	(D)	(E)	(F)		
1	1	129900-26210	GEAR, PUMP	1							
2	1	124240-01883	GASKET	1							
3	1	129953-26011	PUMP ASSY, GPW1-C-4A	1							1
19	1	26216-080202	STUD, M8X 20	4							
20	1	26306-080002	NUT, M8	4							



Remarks

(1)Order a pump assembly since the inner parts cannot be supplied separately.

Fig.11. LUB.OIL SYSTEM



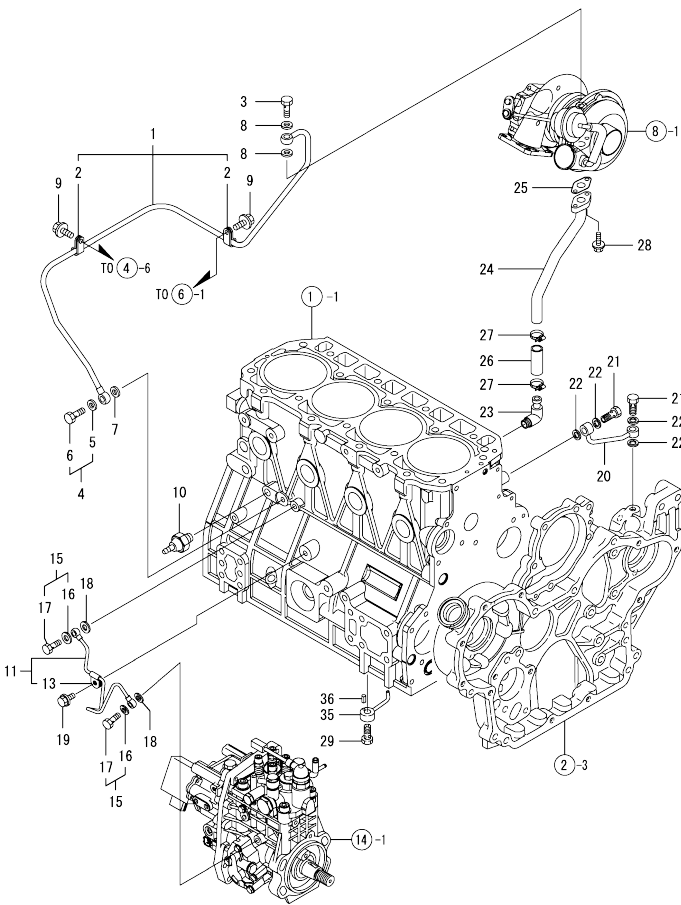
(A)=4TNV98T-ZSTBW  
(B)=  
(C)=

(D)=  
(E)=  
(F)=

No.	Lev.	Parts No.	Description	Qty						I	R	
				(A)	(B)	(C)	(D)	(E)	(F)			
1	1	129908-33010	COOLER ASSY, OIL	1								
2	2	123912-33050	O-RING	1								
3	1	123912-33100	BOLT, COOLER	1								
4	1	129908-33101	BRACKET, OIL COOLER	1								
5	1	129006-44480	JOINT	1								
6	1	129908-49060	HOSE, WATER	1								
7	1	129466-49300	ELBOW, PT3/8	1								
8	1	123910-49600	HOSE ASSY WATER	1								
10	2	123910-49610	TUBE, CORRUGATED	1								
11	1	121750-59890	BAND, NYLON	1								
12	1	23000-025000	CLAMP, 25	4								
13	1	24321-000600	O-RING, 1AG60.0	1								
14	1	119812-34800	DIPSTICK	1								
15	1	123945-35110	CASE ASSY	1								
17	2	129953-39500	ADAPTER, R-G1/2	1								
18	1	129953-35110	RETAINER, CASE	1								
19	1	119000-35140	BOLT, STUD FILTER	1								
20	1	129150-35153	FILTER ASSY, D80X80L	1								1
21	1	129938-35200	BRACKET ASSY	1								
23	2	129953-39500	ADAPTER, R-G1/2	2								
24	1	129953-39101	HOSE ASSY, OIL	2								
25	1	22190-300002	WASHER, SEAL 30	1								
26	1	24321-000700	O-RING, 1AG70.0	1								
27	1	26106-100252	BOLT, M10X 25 PLATED	2								
28	1	129900-32030	O-RING, P20	1								
29	1	129900-35000	PIPE ASSY, OIL INLET	1								
34	1	26106-080122	BOLT, M8X 12 PLATED	2								

Remarks  
(1) REPAIR PART.

Fig.12. LUB.OIL LINE



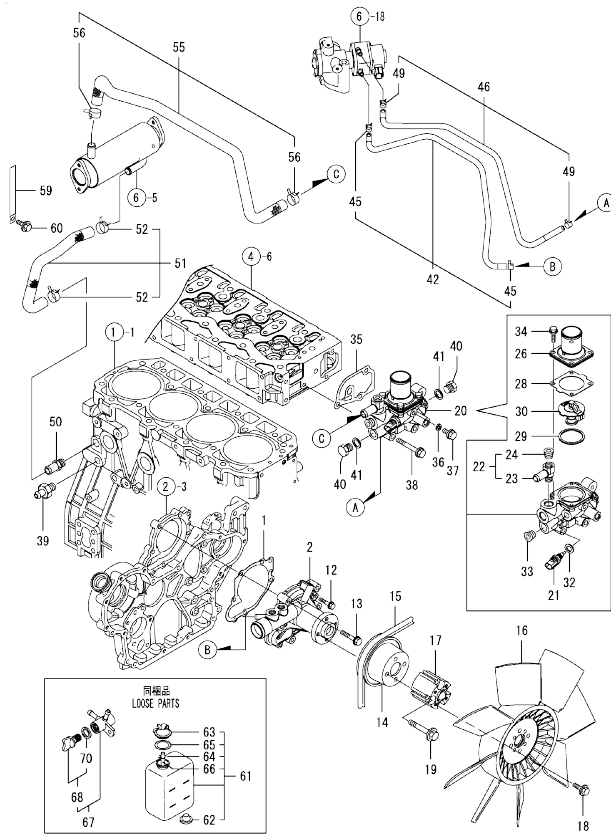
(A)=4TNV98T-ZSTBW  
(B)=  
(C)=

(D)=  
(E)=  
(F)=

No.	Lev.	Parts No.	Description	Q'ty						I	R
				(A)	(B)	(C)	(D)	(E)	(F)		
1	1	129972-39080	PIPE ASSY, OIL	1							
2	2	124223-39900	RETAINER	2							
3	1	121252-39150	BOLT, JOINT M10X1.5	1							
4	1	129005-59830	BOLT ASSY, JOINT M8	1							
5	2	22190-080002	WASHER, SEAL 6	1							
6	2	23857-030000	BOLT, JOINT 3	1							
7	1	22190-080002	WASHER, SEAL 6	1							
8	1	23414-100000	GASKET, 10X1.0	2							
9	1	26106-080122	BOLT, M8X 12 PLATED	2							
10	1	114250-39450	SWITCH, HYDRAULIC	1							
11	1	129927-39060	PIPE ASSY, OIL	1							
13	2	123907-39500	RETAINER, PIPE	1							
15	1	129005-59830	BOLT ASSY, JOINT M8	2							
16	2	22190-080002	WASHER, SEAL 6	2							
17	2	23857-030000	BOLT, JOINT 3	2							
18	1	22190-080002	WASHER, SEAL 6	2							
19	1	26106-080122	BOLT, M8X 12 PLATED	1							
20	1	129930-39050	PIPE, OIL	1							
21	1	105010-39140	BOLT, PIPE JOINT	2							
22	1	22190-080002	WASHER, SEAL 6	4							
23	1	124070-13300	ELBOW, PT3/8	1							
24	1	129908-39610	PIPE, OIL	1							
25	1	129908-39690	GASKET	1							
26	1	123901-39820	HOSE, LO RETURN	1							
27	1	23000-025000	CLAMP, 25	2							
28	1	26106-060162	BOLT, M6X 16 PLATED	2							
29	1	129908-39410	VALVE ASSY, CHECK	4							
35	1	119000-39650	NOZZLE, COOLING	4							
36	1	22351-030010	PIN, SPRING 3.0X10	4							



Fig.13. COOLING WATER SYSTEM



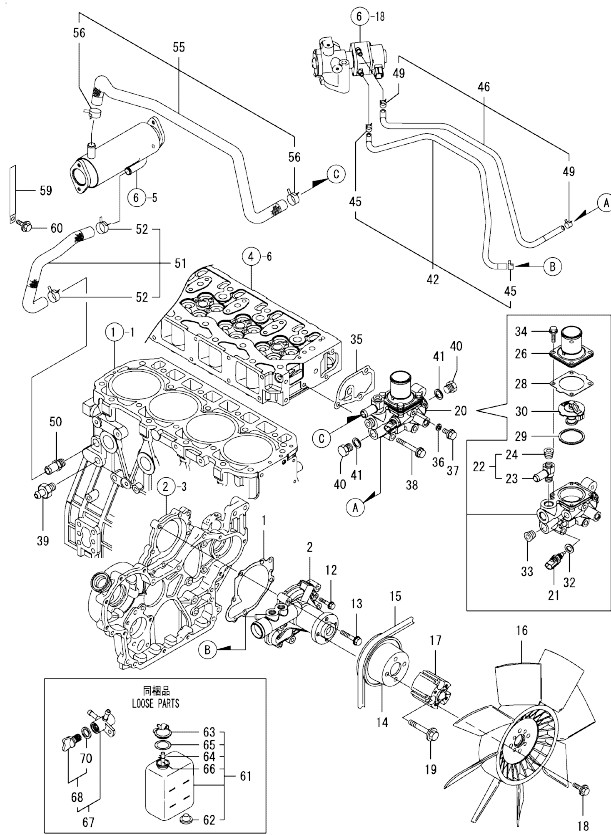
Remarks  
 (1)Ref.No.15-1is interchangeable by set with Fig.No.2, Ref. No. 3-1, and Fig. No. 23 and Ref. No. 1, 13.

(A)=4TNV98T-ZSTBW  
 (B)=  
 (C)=

(D)=  
 (E)=  
 (F)=

No.	Lev.	Parts No.	Description	Q'ty						I	R
				(A)	(B)	(C)	(D)	(E)	(F)		
1	1	129900-42020	GASKET, WATER PUMP	1							
2	1	129948-42100	PUMP ASSY, WATER	1							
2-1	1	129948-42101	PUMP ASSY, CW	1							N
(A=E155722)											
12	1	26106-060302	BOLT, M6X 30 PLATED	2							
13	1	26106-080552	BOLT, M8X 55 PLATED	5							
14	1	123900-42470	V-PULLEY, C.W.PUMP	1							
15	1	129948-42240	V-BELT, B43.0	1							
15-1	1	25153-004500	V-BELT, B45	1							F 1
(A=E58688)											
16	1	129953-44710	FAN, COOLING D=460	1							
17	1	129948-44760	SPACER, FAN	1							
18	1	26106-080162	BOLT, M8X 16 PLATED	4							
19	1	26106-100652	BOLT, M10X 65 PLATED	4							
20	1	129949-49810	CASE ASSY,THERMOSTAT	1							
21	2	129927-44900	SENSOR, WATER TEMP.	1							
22	2	129928-49400	JOINT ASSY	1							
23	3	129928-49410	JOINT	1							
24	3	23875-030000	PLUG, R03	1							
26	2	129916-49530	COVER, THERMOSTAT	1							
28	2	121850-49540	GASKET, THERMOSTAT	1							
29	2	121850-49550	GASKET, THERMOSTAT	1							
30	2	121850-49800	THERMOSTAT, 82C	1							
32	2	22190-120002	WASHER, SEAL.12	1							
33	2	23875-030000	PLUG, R03	1							
34	2	26106-060202	BOLT, M6X 20 PLATED	4							
35	1	129900-49870	GASKET, THERMOSTAT	1							
36	1	23414-080000	GASKET, 8X1.0	1							
37	1	26106-080122	BOLT, M8X 12 PLATED	1							
38	1	26106-080602	BOLT, M8X 60 PLATED	3							
39	1	121550-49111	JOINT, PT1/4	1							
40	1	121450-42450	PLUG, M16	2							
41	1	124465-44950	GASKET, 16	2							
42	1	129927-49610	HOSE ASSY, WATER	1							
45	2	23080-012000	CLAMP, 12	2							
46	1	129927-49620	HOSE ASSY, WATER	1							
49	2	23080-012000	CLAMP, 12	2							
50	1	129928-49420	JOINT	1							
51	1	129928-49610	HOSE ASSY, WATER	1							
52	2	129410-03990	CLAMP, HOSE 21.5	2							
55	1	129928-49620	HOSE ASSY, WATER	1							
56	2	129410-03990	CLAMP, HOSE 21.5	2							
59	1	129928-79700	CLAMP, 150-M8	1							
60	1	26106-080122	BOLT, M8X 12 PLATED	1							
61	1	129466-44510	TANK ASSY, SUB	1							
62	2	121468-44540	PLUG	1							
63	2	121450-44531	CAP	1							
64	2	124450-44560	CLAMP, HOSE	1							
65	2	121470-44581	GASKET	1							
66	2	121267-44590	PIPE	1							
67	1	129150-49100	COCK ASSY, 3-WAY	1							

Fig.13. COOLING WATER SYSTEM



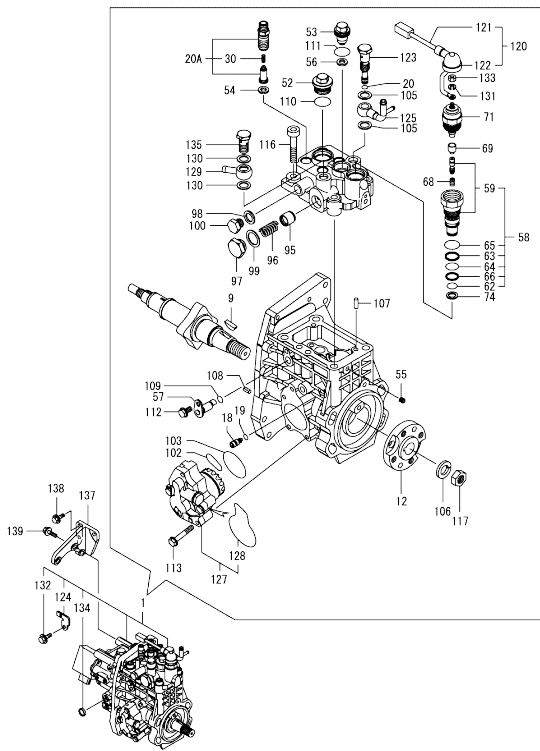
(A)=4TNV98T-ZSTBW  
(B)=  
(C)=

(D)=  
(E)=  
(F)=

No.	Lev.	Parts No.	Description	Q'ty						I	R
				(A)	(B)	(C)	(D)	(E)	(F)		
68	2	129150-49080	COCK, DRAIN	1							
70	3	119629-49080	GASKET	1							

Remarks  
(1)Ref.No.15-1s  
interchangeable by set with  
Fig.No.2, Ref. No. 3-1,  
and Fig. No. 23 and Ref. No. 1, 13.

Fig.14. FUEL INJECTION PUMP

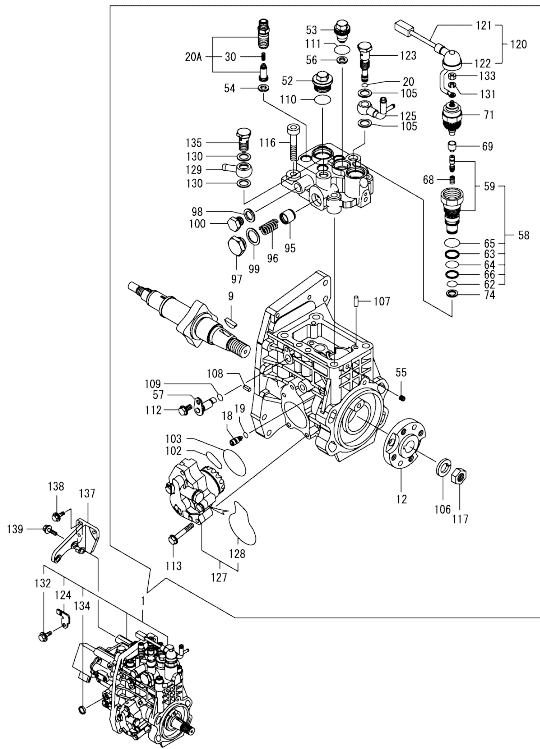


Remarks  
 (1) GOVERNOR ASSY (FIG.15) IS INCORPORATED IN THIS FUEL INJECTION PUMP (REF.NO.1).  
 \* ECO PUMP  
 MAKE SURE TO UPDATE THE ENGINES ECU INFORMATION WHEN REPLACING THE ECO PUMP.  
 FAILING TO DO SO WILL RESULT IN ENGINE MALFUNCTION.

No.	Lev.	Parts No.	Description	Q'ty						I	R
				(A)	(B)	(C)	(D)	(E)	(F)		
1	1	729948-51300	FIE ASSY	1							1
1-1	1	729948-51320	FIE ASSY	1							N 1
(A=*2008.01.)											
9	2	144626-51090	FEATHER KEY, 5X19	1							
12	2	158563-51150	FLANGE	1							
18	2	158600-51270	STOPPER, TAPPET	1							
19	2	158563-51281	O-RING, 4D S6	1							
20	2	158563-51281	O-RING, 4D S6	1							
20A	2	129928-51390	VALVE ASSY, DELIVERY	4							W
(A=*2008.04.)											
30	3	158563-51330	SPRING, DELIVERY	4							
52	2	158601-51550	PLUG, M22	1							
53	2	129907-51560	PLUG, M16	1							
54	2	158552-51570	GASKET, PLUG	4							
54-1	2	158552-51571	GASKET, PLUG	4							R
(A=*2008.07.)											
55	2	158557-51570	PLUG, RACK	1							
56	2	129906-51580	GASKET, PLUG	1							
57	2	158552-51580	LIFTER, LINK	1							
58	2	129657-51590	TIMER ASSY	1							
59	3	129657-51600	TIMER ASSY	1							
62	3	158553-51670	O-RING	1							
63	3	119802-51680	RING, BACKUP	1							
64	3	119802-51690	O-RING	1							
65	3	24356-010200	O-RING, 4D1020	1							
66	3	24372-000150	RING, BACK UP T2P15	1							
68	2	119852-51630	SPRING, TIMER	1							
69	2	119852-51640	CAP, TIMER	1							
71	2	119852-51650	VALVE ASSY, SOLENOID	1							
74	2	158553-51680	GASKET, TIMER	1							
95	2	158601-51770	PISTON, ACCUMULATOR	1							
96	2	158552-51781	SPRING, ACCUMULATOR	1							
97	2	158601-51790	PLUG	1							
98	2	22190-120002	WASHER, SEAL 12	1							
99	2	22190-180002	WASHER, SEAL 18	1							
100	2	23887-120002	PLUG, 12	1							
102	2	158552-52310	O-RING	1							
103	2	158552-52400	O-RING, 4E S42	1							
105	2	22190-120002	WASHER, SEAL 12	2							
106	2	22217-180000	WASHER, SPRING 18	1							
107	2	22312-050140	PIN, PARALLEL M5X14	2							
108	2	22351-050010	PIN, SPRING 5.0X10	2							
109	2	24311-000070	O-RING, 1AP7.0	1							
110	2	24356-010200	O-RING, 4D1020	1							
111	2	24356-020210	O-RING, 4D2021	1							
112	2	26106-060102	BOLT, M6X 10 PLATED	1							
113	2	26106-060352	BOLT, M6X 35 PLATED	4							
116	2	26450-100452	BOLT, M10X 45	4							
117	2	26776-180002	NUT, LOCK M18	1							
120	2	129927-51650	HARNESS ASSY, WIRE	1							
121	3	129927-51660	HARNESS	1							

N:Old, <sup>100</sup>/<sub>100</sub> New, Q:Old, <sup>100</sup>/<sub>100</sub> New, R:Old, <sup>100</sup>/<sub>100</sub> New, S:Old, <sup>100</sup>/<sub>100</sub> New, W:Add, Z:Discontinued, F:Interchangeable by set, K:Q'ty Change  
 ++ CONTINUE ++  
 Copyright (C) YANMAR GLOBAL CS CO., LTD. All Rights Reserved.

Fig.14. FUEL INJECTION PUMP



(A)=4TNV98T-ZSTBW  
(B)=  
(C)=

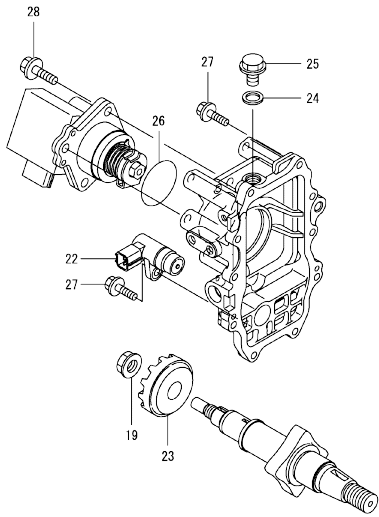
(D)=  
(E)=  
(F)=

No.	Lev.	Parts No.	Description	Q'ty						I	R
				(A)	(B)	(C)	(D)	(E)	(F)		
122	3	129263-77941	CAP, RUBBER	1							
123	2	158601-51650	JOINT, OVER FLOW	1							
124	2	129927-51670	BRACKET	1							
125	2	158552-51670	JOINT, OVER FLOW	1							
127	2	158552-52100	PUMP ASSY, FUEL FEED	1							
128	3	158552-52500	O-RING	1							
129	2	129916-59020	JOINT, PIPE 12	1							
130	2	22190-120002	WASHER, SEAL 12	2							
131	2	22217-050000	WASHER, SPRING 5	1							
132	2	26106-060122	BOLT, M6X 12 PLATED	1							
133	2	26716-050002	NUT, M5	1							
134	2	27241-160000	PLUG, 16	1							
135	2	23857-060000	BOLT, JOINT 6	1							
137	1	129927-51250	RETAINER, PUMP	1							
138	1	26106-080202	BOLT, M8X 20 PLATED	3							
139	1	26106-080302	BOLT, M8X 30 PLATED	3							

Remarks

(1) GOVERNOR ASSY (FIG.15) IS INCORPORATED IN THIS FUEL INJECTION PUMP (REF.NO.1).  
\* ECO PUMP  
MAKE SURE TO UPDATE THE ENGINES ECU INFORMATION WHEN REPLACING THE ECO PUMP.  
FAILING TO DO SO WILL RESULT IN ENGINE MALFUNCTION.

Fig.15. GOVERNOR



(A)=4TNV98T-ZSTBW  
(B)=  
(C)=

(D)=  
(E)=  
(F)=

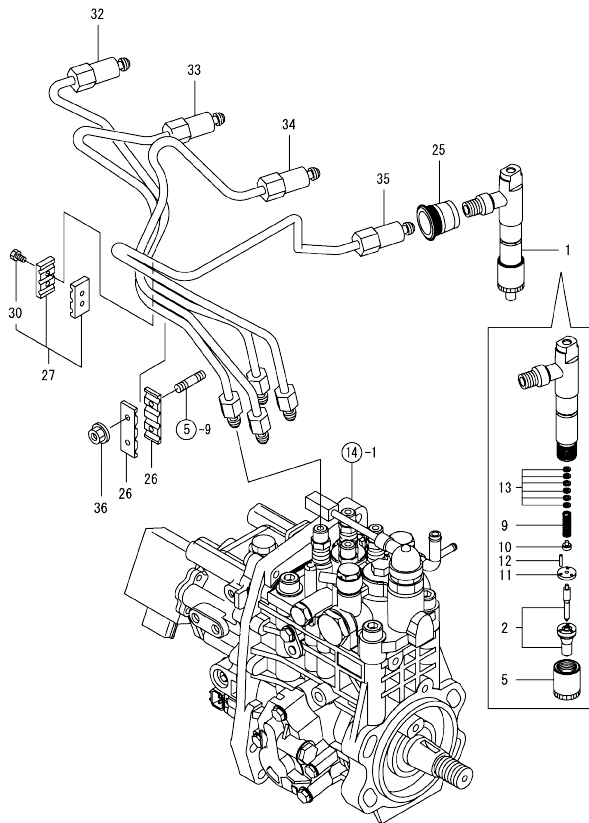
No.	Lev.	Parts No.	Description	Q'ty						I	R
				(A)	(B)	(C)	(D)	(E)	(F)		
19	2	119660-61300	NUT	1							
19-1	2	129008-61301	NUT	1							R
(A=2008.03.)											
22	2	158557-61720	SENSOR	1							
23	2	158553-61780	GEAR, SENSOR	1							
24	2	23414-120000	GASKET, 12X1.0	1							
25	2	23887-120002	PLUG, 12	1							
26	2	24341-000480	O-RING, 1AS48.0	1							
27	2	26106-060252	BOLT, M6X 25 PLATED	10							
28	2	26106-080252	BOLT, M8X 25 PLATED	3							

Remarks  
\* THIS FIGURE(GOVERNOR ASSY)IS  
INCORPORATED IN THE FUEL INJECTION  
PUMP ASSY(FIG.14).

Fig.16. FUEL INJECTION VALVE

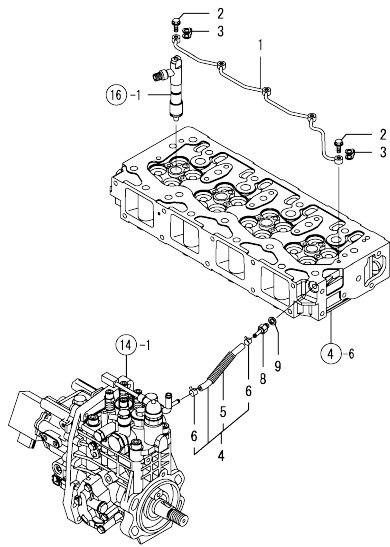
(A)=4TNV98T-ZSTBW  
(B)=  
(C)=

(D)=  
(E)=  
(F)=



No.	Lev.	Parts No.	Description	Q'ty						I	R
				(A)	(B)	(C)	(D)	(E)	(F)		
1	1	729928-53100	FUEL INJECTOR ASSY	4							
1-1	1	729928-53300 (A=2008.01.)	FUEL INJECTOR ASSY	4							N
2	2	129928-53000	NOZZLE ASSY, F.I.	4							
2-1	2	129672-53000 (A=2008.01.)	NOZZLE ASSY, F.I.	4							N
5	2	114250-53080	NUT, NOZZLE	4							
9	2	114250-53120	SPRING, NOZZLE	4							
10	2	114250-53130	SEAT, SPRING	4							
11	2	114250-53140	SPACER	4							
12	2	114250-53210	PIN	8							
13	2	114250-53400	SHIM SET	4							
25	1	123907-11601	SEAL, PIPE	4							
26	1	123472-59120	RETAINER, PIPE	2							
27	1	129150-59120	RETAINER, PIPE	1							
30	2	129150-59131	BOLT, M4X14	2							
32	1	129927-59810	PIPE ASSY, INJECTION	1							
33	1	129927-59820	PIPE ASSY, INJECTION	1							
34	1	129927-59830	PIPE ASSY, INJECTION	1							
35	1	129927-59840	PIPE ASSY, INJECTION	1							
36	1	26366-060002	NUT, M6	2							

Fig.17. FUEL LINE



(A)=4TNV98T-ZSTBW  
(B)=  
(C)=

(D)=  
(E)=  
(F)=

No.	Lev.	Parts No.	Description	Q'ty					
				(A)	(B)	(C)	(D)	(E)	(F)
1	1	129907-59140	PIPE ASSY, RETURN	1					
2	1	123907-59540	BOLT, PIPE JOINT M6	5					
3	1	123907-59550	GASKET	5					
4	1	129927-59550	HOSE ASSY, RETURN	1					
5	2	129263-49750	TUBE, CORRUGATED	1					
6	2	124722-59050	CLAMP, HOSE 9	2					
8	1	123907-59560	JOINT, HOSE	1					
9	1	22190-080002	WASHER, SEAL 6	1					
10	1	129612-52100	PUMP, FUEL FEED	1					
11	1	129940-55610	FILTER ASSY, FUEL	1					
12	2	129004-55612	BRACKET, FILTER	1					
13	2	129907-55801	FILTER, FUEL	1					
14	1	129917-55801	FILTER ASSY, FUEL	1					
15	2	129917-55810	BODY, FILLER	1					
16	2	129917-55821	SENSOR ASSY, LEVEL	1					
17	3	129917-55830	PLUG, DRAIN	1					
18	3	129917-55840	O-RING	1					
19	2	129917-55850	ELEMENT KIT, FUEL	1					

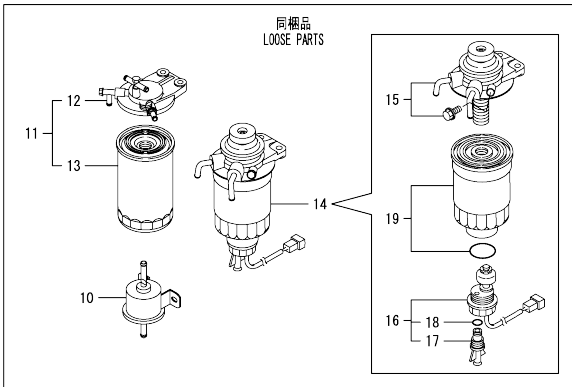
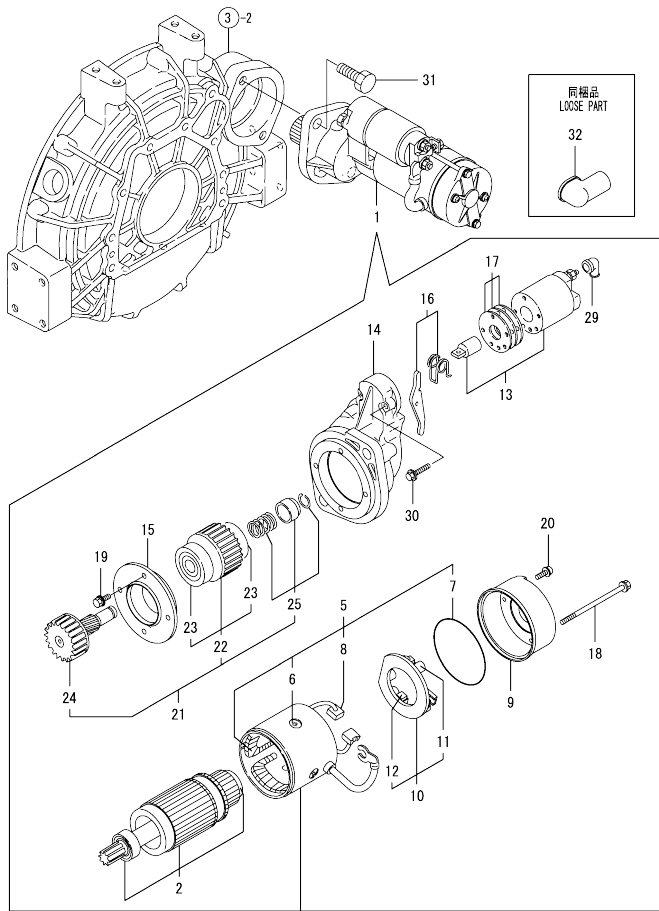


Fig.18. STARTING MOTOR



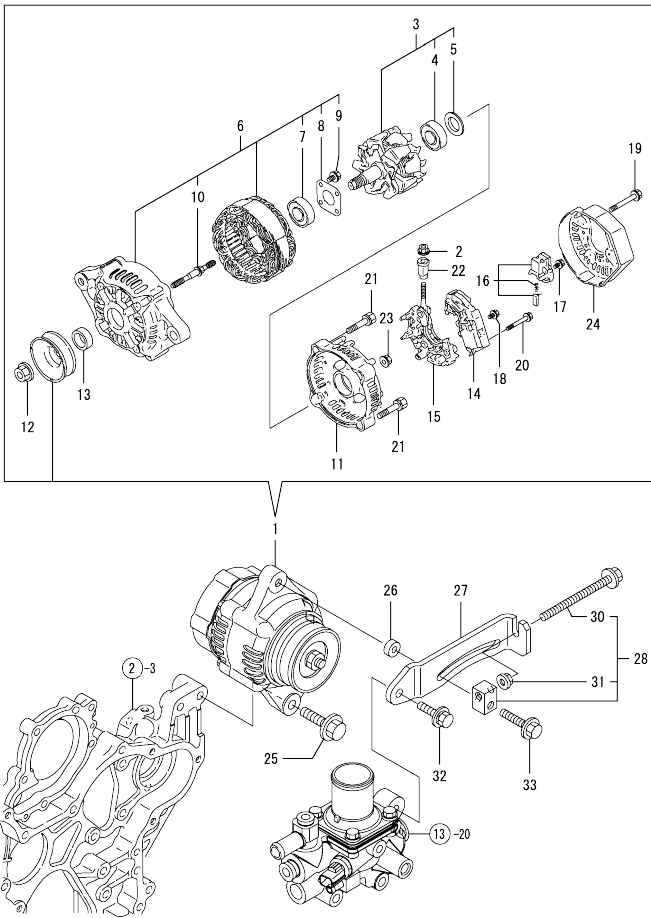
(A)=4TNV98T-ZSTBW  
(B)=  
(C)=

(D)=  
(E)=  
(F)=

No.	Lev.	Parts No.	Description	Qty						I	R
				(A)	(B)	(C)	(D)	(E)	(F)		
1	1	129940-77010	STARTER ASSY	1							
2	2	129940-77100	ARMATURE ASSY	1							
5	2	129940-77130	COIL ASSY, FIELD	1							
6	3	129940-77140	SCREW, CORE SET	4							
7	3	129940-77150	O-RING	1							
8	3	129940-77160	BRUSH	2							
9	2	129940-77170	COVER	1							
10	2	129940-77180	HOLDER ASSY, BRUSH	1							
11	3	129940-77190	SPRING, BRUSH	1							
12	3	129940-77200	BRUSH	2							
13	2	129940-77210	SWITCH ASSY, MAGNET	1							
14	2	129940-77220	CASE, GEAR	1							
15	2	129940-77230	RETAINER, BEARING	1							
16	2	129940-77240	LEVER SET	1							
17	2	129940-77250	COVER KIT, DUST	1							
18	2	129940-77260	BOLT, THROUGH	2							
19	2	129940-77270	BOLT	4							
20	2	129940-77280	SCREW	2							
21	2	123900-77510	PINION ASSY	1							
22	3	123900-77520	CLUTCH ASSY	1							
23	4	X2240610100	BEARING, BALL	2							
24	3	123900-77540	SHAFT, PINION	1							
25	3	119131-77550	STOPPER SET, PINION	1							
29	2	121254-77810	COVER, TERMINAL	1							
30	2	114371-79070	BOLT	2							
31	1	26116-120252	BOLT, M12X 25 PLATED	2							
32	1	124550-77030	COVER, TERMINAL	1							



Fig.19. GENERATOR

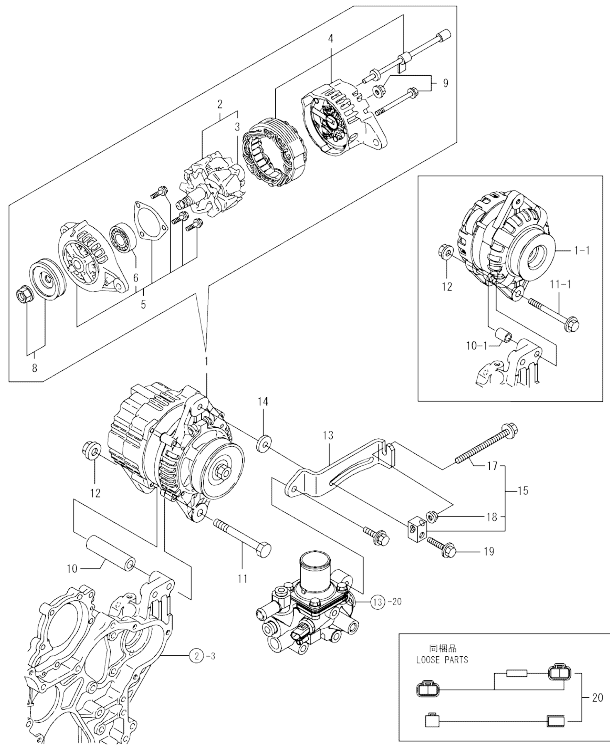


(A)=4TNV98T-ZSTBW  
(B)=  
(C)=

(D)=  
(E)=  
(F)=

No.	Lev.	Parts No.	Description	Q'ty						I	R
				(A)	(B)	(C)	(D)	(E)	(F)		
1	1	123951-77200	GENERATOR ASSY, 55A	1							
2	2	X9490561001	NUT	1							
3	2	129052-77380	ROTOR ASSY	1							
4	3	125301-79240	BEARING, BALL	1							
5	3	119620-79250	COVER, BEARING	1							
6	2	129052-77421	FRAME ASSY	1							
7	3	119620-79200	BEARING, BALL	1							
8	3	119620-79210	RETAINER	1							
9	3	119620-79220	SCREW	4							
10	3	119620-79230	BOLT, STUD	2							
11	2	128401-77440	COVER	1							
12	2	119620-77470	NUT	1							
13	2	119620-77490	COLLAR	1							
14	2	119626-77710	REGULATOR ASSY	1							
15	2	129052-79260	HOLDER	1							
16	2	129052-79270	HOLDER, BRUSH	1							
17	2	119620-79290	SCREW	6							
18	2	119620-79300	SCREW	1							
19	2	119620-79310	BOLT	3							
20	2	119620-79320	SCREW	2							
21	2	119620-79330	BOLT	2							
22	2	119620-79340	BUSH, INSULATION	1							
23	2	119620-79350	NUT	2							
24	2	119626-77450	FRAME	1							
25	1	26106-100402	BOLT, M10X 40 PLATED	1							
26	1	119940-77270	SPACER	1							
27	1	129906-77300	ADJUSTER, BELT	1							
28	1	119624-77351	BLOCK ASSY, ADJUSTER	1							
30	2	26106-081004	BOLT, M8X100 PLATED	1							
31	2	26306-080002	NUT, M8	1							
32	1	26014-080252	BOLT, M8X 25	1							
33	1	26106-080552	BOLT, M8X 55 PLATED	1							

Fig.23. GENERATOR(19A)



(A)=4TNV98-ZV/HYB1  
(B)=  
(C)=

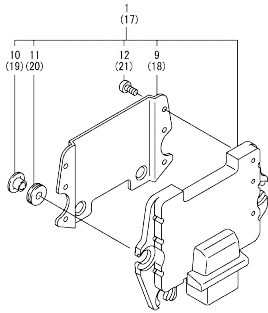
(D)=  
(E)=  
(F)=

No.	Lev.	Parts No.	Description	Q'ty						I	R		
				(A)	(B)	(C)	(D)	(E)	(F)				
1	1	123910-77210	ALTERNATOR, 12V-80A	1							F	1	
1-1	1	129908-77210	ALTERNATOR	1							F	2	
(A=EZZZZZ)													
2	2	123910-77740	ROTOR ASSY	1									
3	3	129900-77810	BEARING, BALL	1									
4	2	123910-77760	BRACKET ASSY	1									
5	2	129900-77890	BRACKET ASSY	1									
6	3	129900-77900	BEARING, BALL	1									
8	2	123910-77910	PULLEY, GENERATOR	1									
9	2	129900-77920	SCREW KIT	1									
10	1	129470-77340	PIECE, DISTANCE	1									
10-1	1	129908-77360	PIECE, DISTANCE	1								F	2
(A=EZZZZZ)													
11	1	26116-101202	BOLT, M10X120 PLATED	1									
11-1	1	26106-101052	BOLT, M10X105 PLATED	1								F	2
(A=EZZZZZ)													
12	1	26306-100002	NUT, M10	1									
13	1	129953-77300	ADJUSTER	1								F	1
14	1	121236-77340	SPACER	1									
15	1	119624-77351	BLOCK ASSY, ADJUSTER	1									
17	2	26106-081004	BOLT, M8X100 PLATED	1									
18	2	26306-080002	NUT, M8	1									
19	1	26106-080452	BOLT, M8X 45 PLATED	1									
20	1	129908-77910	HARNES	1								F	2
(A=EZZZZZ)													

Remarks

\*Fig.No.23 shows after models below.  
(A)=E#58688  
\*Please refer to Fig.No.19 before.  
(1)Ref.No1, 13 is interchangeable by set with Fig.No.2, Ref. No. 3-1, and Fig. No. 13 and Ref. No. 15-1.  
(2)Interchangeable by simultaneous replacement with No.1-1, No.10-1, 11-1 and No.20.

Fig.20. ELECTRONIC CONTROL UNIT (ECU)



(A)=4TNV98T-ZSTBW  
(B)=  
(C)=

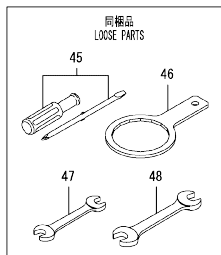
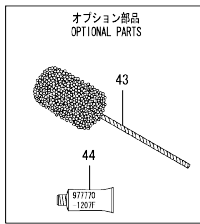
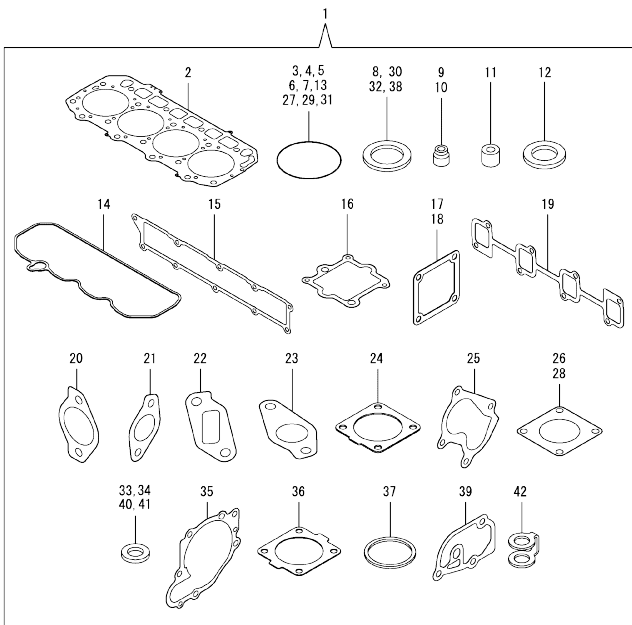
(D)=  
(E)=  
(F)=

No.	Lev.	Parts No.	Description	Q'ty						I	R
				(A)	(B)	(C)	(D)	(E)	(F)		
1	1	129948-75030	ECU ASSY	1							
1-1	1	129948-75060	ECU ASSY	1						S	1
(A=2008.01.)											
9	2	129927-77600	SHIELD, ECU	1							
10	2	129927-77680	COLLAR, CONTROL	3							
11	2	119578-91351	ABSORBER	3							
12	2	22877-500080	SCREW, 5X 8	6							
17	1	129927-75900	ECU ASSY, SERVICE	1							2
18	2	129927-77600	SHIELD, ECU	1							
19	2	129927-77680	COLLAR, CONTROL	3							
20	2	119578-91351	ABSORBER	3							
21	2	22877-500080	SCREW, 5X 8	6							

Remarks

(1)ECO ECU  
THIS PART CANNOT BE ORDERED.  
REPLACE THE PART USING A SERVICE  
ECU WITH THE PROPER ENGINE  
INFORMATION INSTALLED.  
(2)SERVICE ECU  
IF THE PROPER INFORMATION IS NOT  
INSTALLED, THE ENGINE WILL NOT  
OPERATE.  
TO INSTALL PROPER INFORMATION,  
GO TO AN AUTHORIZED DISTRIBUTOR.

Fig.21. GASKET SET



(A)=4TNV98T-ZSTBW  
(B)=  
(C)=

(D)=  
(E)=  
(F)=

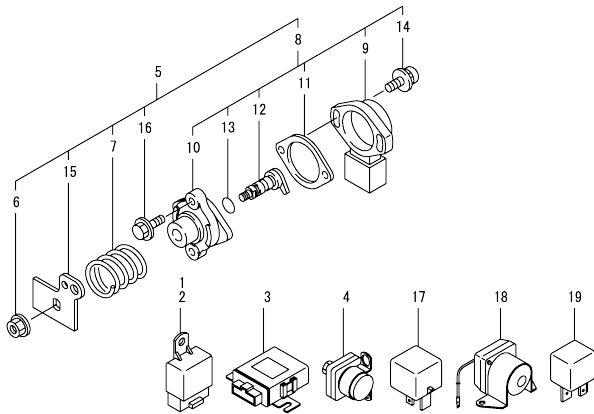
No.	Lev.	Parts No.	Description	Qty						I	R	
				(A)	(B)	(C)	(D)	(E)	(F)			
1	1	729928-92600	GASKET SET	1							1	
2	2	129907-01331	GASKET, HEAD	1								
3	2	129900-32030	O-RING, P20	2								
4	2	129900-32040	O-RING, P14	1								
5	2	24311-000070	O-RING, 1AP7.0	1								
6	2	24351-030750	O-RING, 1A3075	1								
7	2	24311-000320	O-RING, 1AP32.0	2								
8	2	22190-220002	WASHER, SEAL 22	1								
9	2	119803-11340	SEAL, VALVE STEM	8								
10	2	124160-11340	SEAL, VALVE STEM	8								
11	2	119802-11870	PROTECTOR, NOZZLE	4								
12	2	119625-11880	SEAT, NOZZLE	4								
13	2	24311-000120	O-RING, 1AP12.0	8								
14	2	129933-11310	GASKET, BONNET	1								
15	2	129907-12110	GASKET, MANIFOLD	1								
16	2	129928-13720	GASKET	1								
17	2	119129-77020	GASKET	1								
18	2	121850-77021	GASKET, AIR HEATER	1								
19	2	129900-13251	GASKET, EXH.MANIFOLD	1								
20	2	129928-13410	GASKET	2								
21	2	129927-13810	GASKET	1								
22	2	129927-13910	GASKET, EGR	1								
23	2	129927-13920	GASKET, EGR	1								
24	2	129930-13201	GASKET, SILENCER	2								
25	2	123901-18080	GASKET	1								
26	2	129472-18090	GASKET	1								
27	2	24341-000530	O-RING, 1AS53.0	1								
28	2	124240-01883	GASKET	1								
29	2	24321-000600	O-RING, 1AG60.0	1								
30	2	22190-300002	WASHER, SEAL 30	1								
31	2	24321-000700	O-RING, 1AG70.0	1								
32	2	22190-080002	WASHER, SEAL 6	11								
33	2	23414-100000	GASKET, 10X1.0	2								
34	2	129908-39690	GASKET	1								
35	2	129900-42020	GASKET, WATER PUMP	1								
36	2	121850-49540	GASKET, THERMOSTAT	1								
37	2	121850-49550	GASKET, THERMOSTAT	1								
38	2	22190-120002	WASHER, SEAL 12	1								
39	2	129900-49870	GASKET, THERMOSTAT	1								
40	2	23414-080000	GASKET, 8X1.0	1								
41	2	124465-44950	GASKET, 16	2								
42	2	123907-59550	GASKET	5								
43	1	129400-92450	HONE, FLEX	1								1
44	1	977770-1207F	GASKET LIQUID	1								1
45	1	104200-92350	SCREW-DRIVER	1								
46	1	119640-92750	TOOL, FILTER WRENCH	1								
47	1	28110-100120	SPANNER, 10X12	1								
48	1	28110-140170	SPANNER, 14X17	1								

Remarks  
(1) OPTIONAL PART.

Fig.22. LOOSE PART

(A)=4TNV98T-ZSTBW  
(B)=  
(C)=

(D)=  
(E)=  
(F)=



No.	Lev.	Parts No.	Description	Q'ty					
				(A)	(B)	(C)	(D)	(E)	(F)
1	1	198461-52950	RELAY, CA TYPE C	1					
2	1	198461-52950	RELAY, CA TYPE C	1					
3	1	119503-77520	CONTROLLER	1					
4	1	127488-77530	RELAY, GROW	1					
5	1	129938-77800	SENSOR ASSY, ACCEL	1					
6	2	194990-22130	NUT, M6	1					
7	2	119060-61990	SPRING, RETURN	1					
8	2	129054-77800	SENSOR ASSY, ACCEL	1					
9	3	185100-50070	BODY	1					
10	3	129054-77811	SUPPORT, SENSOR	1					
11	3	129054-77820	GASKET	1					
12	3	129054-77830	SHAFT ASSY	1					
13	3	24311-000070	O-RING, 1AP7.0	1					
14	3	26023-040202	SCREW, M4X20	2					
15	2	129938-77810	LEVER, SENSOR	1					
16	2	26106-060122	BOLT, M6X 12 PLATED	2					
17	1	129927-77900	RELAY, ISO 90A	1					
18	1	119129-77910	RELAY, MAGNETIC	1					
19	1	129927-77920	RELAY, ISO 70A	1					

## Parts No. Index

Parts No.	Fig. No.	Ref. No.	Parts No.	Fig. No.	Ref. No.	Parts No.	Fig. No.	Ref. No.	Parts No.	Fig. No.	Ref. No.
104200-92350	21	45	119640-92750	21	46	123907-11830	4	24	129100-01580	2	1
105010-39140	12	21	119660-61300	15	19	123907-39500	12	13		3	1
114250-39450	12	10	119802-11870	4	29	123907-59540	17	2	129150-02450	7	4
114250-53080	16	5		21	11	123907-59550	17	3	129150-03100	4	76
114250-53120	16	9	119802-13790	6	8		21	42	129150-11230	4	42
114250-53130	16	10	119802-51680	14	63	123907-59560	17	8			46
114250-53140	16	11	119802-51690	14	64	123910-49600	11	8	129150-11750	4	23
114250-53210	16	12	119803-11340	4	19	123910-49610	11	10			43
114250-53400	16	13		21	9	123910-77210	23	1			47
114371-79070	18	30	119812-34800	11	14	123910-77740	23	2	129150-14200	7	1
119000-01840	3	4	119852-51630	14	68	123910-77760	23	4	129150-25920	7	13
119000-35140	11	19	119852-51640	14	69	123910-77910	23	8	129150-35153	11	20
119000-39650	12	35	119852-51650	14	71	123912-33050	11	2	129150-49080	13	68
119005-77050	5	19	119940-77270	19	26	123912-33100	11	3	129150-49100	13	67
119060-61990	22	7	120130-22301	9	21	123945-35110	11	15	129150-59120	16	27
119100-11330	4	61	121236-77340	23	14	123951-18220	5	14	129150-59131	16	30
119129-77020	5	17	121252-39150	12	3	123951-77200	19	1	129263-49750	17	5
	21	17	121254-77810	18	29	124070-13300	12	23	129263-77941	14	122
119129-77520	5	20	121267-44590	13	66	124160-01751	2	16	129400-92450	21	43
119129-77910	22	18	121450-42450	13	40		4	54	129410-03990	4	71
119131-18320	6	4	121450-44531	13	63	124160-11340	4	20			74
119131-77550	18	25	121468-44540	13	62		21	10		13	52
119309-01810	1	29	121470-44581	13	65	124160-11360	4	65			56
119503-77520	22	3	121550-49111	13	39	124223-39900	12	2	129418-18320	6	12
119578-91351	20	11	121750-59890	11	11	124240-01883	10	2	129466-44510	13	61
		20	121850-21130	9	11		21	28	129466-49300	11	7
119593-11301	4	34	121850-21290	9	4	124450-44560	13	64	129470-77340	23	10
119620-11180	4	18	121850-21920	9	5	124465-44950	13	41	129472-18090	8	2
119620-77470	19	12	121850-49540	13	28		21	41		21	26
119620-77490	19	13		21	36	124550-77030	18	32	129509-79700	4	62
119620-79200	19	7	121850-49550	13	29	124722-59050	17	6	129612-52100	17	10
119620-79210	19	8		21	37	125301-79240	19	4	129640-13580	6	26
119620-79220	19	9	121850-49800	13	30	127410-21480	9	14	129640-13590	6	25
119620-79230	19	10	121850-77021	5	18	127488-77530	22	4	129657-51590	14	58
119620-79250	19	5		21	18	128401-77440	19	11	129657-51600	14	59
119620-79290	19	17	123472-59120	16	26	129001-91810	2	19	129672-53000	16	2 -1
119620-79300	19	18	123900-13630	6	3			27	129900-01200	1	27
119620-79310	19	19	123900-25060	7	9	129004-55612	17	12	129900-01250	1	4
119620-79320	19	20	123900-42470	13	14	129005-59830	12	4	129900-01740	2	18
119620-79330	19	21	123900-77510	18	21			15	129900-01850	2	25
119620-79340	19	22	123900-77520	18	22	129006-44480	11	5	129900-01870	2	26
119620-79350	19	23	123900-77540	18	24	129008-61301	15	19 -1	129900-02020	1	6
119624-77351	19	28	123901-03240	4	80	129052-77380	19	3	129900-02341	1	33
	23	15	123901-18080	6	31	129052-77421	19	6	129900-02410	1	9
119625-11880	4	30		21	25	129052-79260	19	15	129900-02931	1	24
	21	12	123901-39820	12	26	129052-79270	19	16	129900-02941	1	36
119626-77450	19	24	123907-11280	4	39	129054-77800	22	8	129900-13251	6	2
119626-77710	19	14	123907-11550	4	5	129054-77811	22	10		21	19
119629-49080	13	70	123907-11601	16	25	129054-77820	22	11	129900-14100	7	6
119640-01640	3	8	123907-11820	4	25	129054-77830	22	12	129900-21200	9	3

## Parts No. Index

Parts No.	Fig. No.	Ref. No.
129900-23001	9	23
129900-23200	9	26
129900-23601	9	27
129900-23611	9	30
129900-23911	9	29
129900-25100	7	10
129900-26210	10	1
129900-26250	2	6
	7	
129900-32030	2	8
	11	28
	21	3
129900-32040	2	9
	21	4
129900-35000	11	29
129900-42020	13	1
	21	35
129900-49870	13	35
	21	39
129900-77810	23	3
129900-77890	23	5
129900-77900	23	6
129900-77920	23	9
129902-21580	9	12
129906-51580	14	56
129906-77300	19	27
129907-01331	1	28
	21	2
129907-03011	4	56
129907-03061	4	57
129907-03070	4	58
129907-07900	4	1
129907-11100	4	15
129907-11110	4	16
129907-11120	4	17
129907-11250	4	36
129907-11260	4	37
129907-11270	4	38
129907-11341	4	35
129907-11510	4	21
129907-11650	4	40
129907-11660	4	44
129907-11800	4	28
129907-11910	4	31
129907-11920	4	48
129907-11950	4	32
129907-12110	5	1
	21	15
129907-14400	7	2
129907-25900	7	16

Parts No.	Fig. No.	Ref. No.
129907-51560	14	53
129907-55801	17	13
129907-59140	17	1
129908-01500	2	3 -1
129908-14581	7	3
129908-18010	8	1
129908-21000	9	1
129908-32060	2	4
129908-33010	11	1
129908-33101	11	4
129908-39410	12	29
129908-39610	12	24
129908-39690	12	25
	21	34
129908-49060	11	6
129908-77210	23	1 -1
129908-77360	23	10 -1
129908-77910	23	20
129916-01790	3	6
129916-01800	2	24
129916-21610	9	7
129916-49530	13	26
129916-59020	14	129
129917-55801	17	14
129917-55810	17	15
129917-55821	17	16
129917-55830	17	17
129917-55840	17	18
129917-55850	17	19
129927-13810	6	10
	21	21
129927-13900	6	18
129927-13910	6	19
	21	22
129927-13920	6	20
	21	23
129927-22050	9	17
129927-39060	12	11
129927-42140	2	9 A
129927-44900	13	21
129927-49610	13	42
129927-49620	13	46
129927-51250	14	137
129927-51650	14	120
129927-51660	14	121
129927-51670	14	124
129927-59550	17	4
129927-59810	16	32
129927-59820	16	33
129927-59830	16	34

Parts No.	Fig. No.	Ref. No.
129927-59840	16	35
129927-75900	20	17
129927-77600	20	9
	18	
129927-77680	20	10
	19	
129927-77900	22	17
129927-77920	22	19
129928-03050	4	68
129928-03060	4	69
129928-03080	4	72
129928-03300	4	82
129928-07900	4	2
129928-11320	4	55
129928-11700	4	6
129928-12100	5	3
129928-12150	5	2
129928-13400	6	5
129928-13410	6	6
	7	
	21	20
129928-13700	5	4
129928-13710	5	5
129928-13720	5	6
	21	16
129928-13800	6	9
129928-13810	6	11
129928-22080	9	15
129928-49400	13	22
129928-49410	13	23
129928-49420	13	50
129928-49610	13	51
129928-49620	13	55
129928-51390	14	20 A
129928-53000	16	2
129928-59130	4	84
129928-79700	13	59
129930-13201	6	23
	21	24
129930-39050	12	20
129933-11310	4	60
	21	14
129938-35200	11	21
129938-77800	22	5
129938-77810	22	15
129940-13500	6	24
129940-55610	17	11
129940-77010	18	1
129940-77100	18	2
129940-77130	18	5

Parts No.	Fig. No.	Ref. No.
129940-77140	18	6
129940-77150	18	7
129940-77160	18	8
129940-77170	18	9
129940-77180	18	10
129940-77190	18	11
129940-77200	18	12
129940-77210	18	13
129940-77220	18	14
129940-77230	18	15
129940-77240	18	16
129940-77250	18	17
129940-77260	18	18
129940-77270	18	19
129940-77280	18	20
129948-01500	2	3
129948-01710	3	7
129948-12510	5	25
129948-12610	5	26
129948-12620	5	27
129948-12630	5	28
129948-12640	5	29
129948-12650	5	30
129948-12660	5	31
129948-13100	6	1
129948-18010	8	1 -1
129948-21610	9	8
129948-42100	13	2
129948-42101	13	2 -1
129948-42240	13	15
129948-44760	13	17
129948-75030	20	1
129948-75060	20	1 -1
129949-18200	5	12
129949-18210	5	13
129949-49810	13	20
129951-01620	3	2
129953-12210	5	23
129953-12250	5	24
129953-25300	7	15
129953-26011	10	3
129953-35110	11	18
129953-39101	11	24
129953-39500	11	17
	23	
129953-44710	13	16
129953-77300	23	13
129960-21640	9	9
129972-03220	4	78
129972-03230	4	79

## Parts No. Index

Parts No.	Fig. No.	Ref. No.
129972-03240	4	77
129972-39080	12	1
144626-51090	14	9
158552-51570	14	54
158552-51571	14	54 -1
158552-51580	14	57
158552-51670	14	125
158552-51781	14	96
158552-52100	14	127
158552-52310	14	102
158552-52400	14	103
158552-52500	14	128
158553-51670	14	62
158553-51680	14	74
158553-61780	15	23
158557-51570	14	55
158557-61720	15	22
158563-51150	7	17
	14	12
158563-51281	14	19
		20
158563-51330	14	30
158600-51270	14	18
158601-51550	14	52
158601-51650	14	123
158601-51770	14	95
158601-51790	14	97
171051-01921	1	5
185100-50070	22	9
194990-22130	22	6
198461-52950	22	1
		2
22117-100000	6	27
22190-080002	12	5
		7
		16
		18
		22
	17	9
	21	32
22190-120002	13	32
	14	98
		105
		130
	21	38
22190-180002	14	99
22190-220002	3	9
	21	8
22190-300002	11	25
	21	30

Parts No.	Fig. No.	Ref. No.
22217-050000	14	131
22217-100000	6	28
22217-180000	7	18
	14	106
22252-000300	9	22
22312-050140	14	107
22351-030010	12	36
22351-050010	14	108
22351-060012	1	10
22512-070140	7	7
	9	6
22857-500100	4	64
22877-500080	20	12
		21
23000-019000	4	85
23000-025000	11	12
	12	27
23000-054000	5	15
23000-070000	5	16
23065-160250	4	86
23080-012000	13	45
		49
23414-080000	13	36
	21	40
23414-100000	12	8
	21	33
23414-120000	15	24
23857-030000	12	6
		17
23857-060000	14	135
23875-030000	13	24
		33
23876-020000	4	12
23876-030000	1	11
		12
		13
	4	13
		87
23887-120002	14	100
	15	25
24311-000070	2	10
	14	109
	21	5
	22	13
24311-000120	4	33
		66
	21	13
24311-000320	2	17
	4	67
	21	7

Parts No.	Fig. No.	Ref. No.
24321-000600	11	13
	21	29
24321-000700	11	26
	21	31
24341-000480	15	26
24341-000530	9	10
	21	27
24351-030750	2	11
	21	6
24356-010200	14	65
		110
24356-020210	14	111
24372-000150	14	66
25153-004500	13	15 -1
26014-080252	19	32
26023-040202	22	14
26106-060102	14	112
26106-060122	4	63
	14	132
	22	16
26106-060162	12	28
26106-060202	5	7
		8
	13	34
26106-060252	15	27
26106-060302	13	12
26106-060352	14	113
26106-080122	3	10
	4	88
	11	34
	12	9
	19	19
	13	37
		60
26106-080142	4	89
26106-080162	2	12
		20
		28
	4	3
	7	8
	13	18
26106-080202	2	13
	4	4
	14	138
26106-080252	15	28
26106-080302	14	139
26106-080352	6	13
26106-080402	2	21
		29
	4	50

Parts No.	Fig. No.	Ref. No.
26106-080402	5	21
26106-080452	2	14
	5	10
	6	14
	23	19
26106-080552	6	15
	7	14
	13	13
	19	33
26106-080602	4	51
		52
	13	38
26106-080802	5	11
26106-080902	5	22
26106-081004	19	30
	23	17
26106-100252	6	16
	11	27
26106-100402	6	21
	19	25
26106-100652	6	29
	13	19
26106-101052	6	22
	23	11 -1
26116-050102	4	81
26116-101202	23	11
26116-120252	18	31
26206-100352	3	5
26216-060202	5	9
26216-080202	10	19
26216-100302	2	5
26226-080222	4	49
26306-080002	4	53
	6	17
	8	3
	10	20
	19	31
	23	18
26306-100002	2	15
	23	12
26366-060002	16	36
26450-100452	14	116
26706-100002	6	30
26716-050002	14	133
26776-180002	7	19
	14	117
27241-160000	14	134
27241-300000	1	14
27241-400000	4	14
27310-070001	4	26



### Parts No. Index

Parts No.	Fig. No.	Ref. No.
28110-100120	21	47
28110-140170	21	48
729900-02801	1	30
729907-01559	2	22
729927-22950	9	34
729928-01560	1	1
729928-22900	9	32
729928-53100	16	1
729928-53300	16	1 -1
729928-92600	21	1
729948-51300	14	1
729948-51320	14	1 -1
977770-1207F	21	44
X2240610100	18	23
X9490561001	19	2

Parts No.	Fig. No.	Ref. No.
-----------	----------	----------

Parts No.	Fig. No.	Ref. No.
-----------	----------	----------

Parts No.	Fig. No.	Ref. No.
-----------	----------	----------