

0CW10-M56300EN

P R E F A C E

1. This parts catalog is the 1st edition of 4TNV98-ZSCK for CLARK.

Pub.No. : 0CW10-G56300

Published : September, 2009

2. Model name

Engine model	Vehicle	Vehicle made by
4TNV98-ZSCK	FORKLIFT	CLARK

Directions for the Parts Catalog.

1. The parts stipulated in this Parts Catalog are not necessarily standard equipped parts.
2. Parts may change without prior notice.
3. The following is an example of the Parts Catalog format.

REF.	LEV.	PARTS NO.	DESCRIPTION	Q'TY						I	R
				(A)	(B)	(C)	(D)	(E)	(F)		
1	1	729595-51390	FUEL INJECTION PUMP	1	1	1	1	1			1
1-1	1	729595-51391	FUEL INJECTION PUMP	1	1	1	1	1		N	1
		(A=E00185) (B=E00200)									
3	2	26022-060162	SCREW M 6X 16	9	9	9	9	9			
3-1	2	26022-060162	SCREW M 6X 16	4	4	4	4	4		K	
		(A=E00156) (B=E00156) (C=E00156) (D=E00156) (E=E00156)									
4	2	129470-51040	CAMSHAFT	1	1	1	1	1			
5	2	122710-51050	BEARING, ROLLER	2	2	2	2	2			
6	2	129470-51060	RETAINER	1	1	1	1	1			

Remarks
(1) BOOST COMPEMSATOR TYPE. OPTIONAL PART, TO E00155,(4JH-DT, 4JH-DTZ

① Ref. No.

The Ref. No. listed may not be in accordance with the illustration Ref. No.

(Ex.) Illustration No.

List Ref No.

1 1 (Before change) → 1-1 (After change)

For interchangeable symbols N, R and K, illustrations for new parts may be abbreviated.

② Lev. (Level)

Level indication

The numbers below indicate the level of relativity towards the main part.

1 ---- Main parts (Assembly parts)

2 ---- Sub component included in " 1 ".

3 ---- Sub component included in " 2 ".

Note) Parts that are not for sale are partially illustrated but not listed.

③ Interchangeability Mark

When a part change takes place, one of the following interchangeability symbols is indicated beside the part.

Symbol	Interchangeability	Contents note
N	Old $\begin{matrix} \leftarrow \text{Yes} \\ \text{No} \rightarrow \end{matrix}$ New	New Part is interchangeable for Old Part but Old Part is not interchangeable for New Part.
Q	Old $\begin{matrix} \leftarrow \text{No} \\ \text{Yes} \rightarrow \end{matrix}$ New	New Part is not interchangeable for Old Part but Old Part is interchangeable for New Part.
R	Old $\begin{matrix} \leftarrow \text{Yes} \\ \text{Yes} \rightarrow \end{matrix}$ New	New/ Old Parts are both interchangeable.
S	Old $\begin{matrix} \leftarrow \text{No} \\ \text{No} \rightarrow \end{matrix}$ New	New/ Old Parts are both not interchangeable.
W		Part newly added.
Z		Part discontinued.
F		Not interchangeable by a single part but interchangeable together with related parts.
K		Changes only for used parts quantities.

④ Effective Machine No.

When a part changes, the effective Machine No. will be indicated in the (A)-(F) column.

Product Symbol	Product No.	Product Symbol	Product No.
C	Clutch No. Compressor No.	F	Machine No. (Agricultural Equip.)
D	Drive No.	M	Machine No.
E	Engine No.		

Note 1) A date may follow the symbol. (Ex.) 1996.01

Note 2) "XXXXX" and "ZZZZZ" are for parts that could not be predicted or for engine models that could not be identified.

Note 3) (A=E00185) is the E (Engine Serial Number) for the column (A) model (in this case 4JH-DT) after the parts design change.

⑤ Remarks Mark

Figures or alphabets (symbols) are entered in the remarks column.

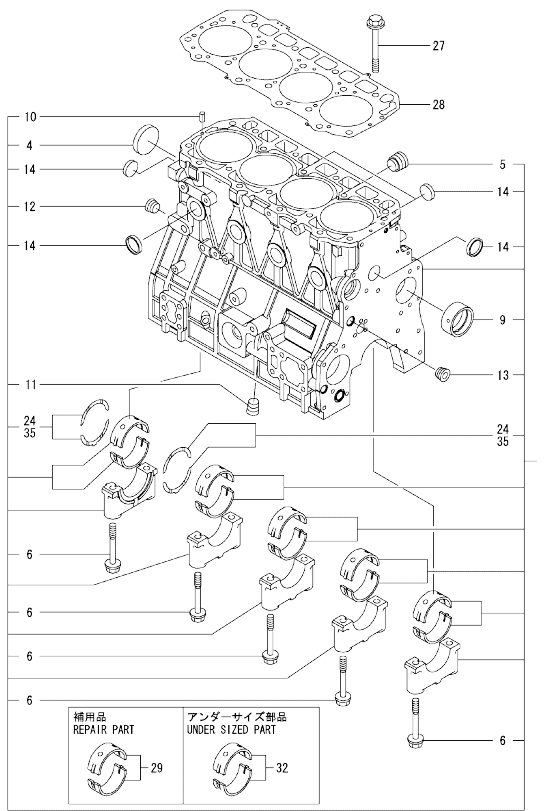
The comments (remarks) on parts that are indicated at the bottom of the illustration are the same symbols as those stated above.

Contents

0CW10-M56300

Fig. No.	Fig. Name	Fig. No.	Fig. Name
4TNV98-ZSCK5			
1.	CYLINDER BLOCK		
2.	GEAR HOUSING		
3.	FLYWHEEL HOUSING & OIL SUMP		
4.	CYLINDER HEAD & BONNET		
5.	SUCTION MANIFOLD		
6.	EXHAUST MANIFOLD & SILENCER		
7.	CAMSHAFT & DRIVING GEAR		
8.	CRANKSHAFT & PISTON		
9.	LUB.OIL SYSTEM		
10.	COOLING WATER SYSTEM		
11.	FUEL INJECTION PUMP		
12.	GOVERNOR		
13.	FUEL INJECTION VALVE		
14.	FUEL LINE		
15.	GENERATOR		
18.	(15A)GENERATOR		
16.	ELECTRONIC CONTROL UNIT (ECU)		
17.	GASKET SET & TOOLS		

Fig.1. CYLINDER BLOCK



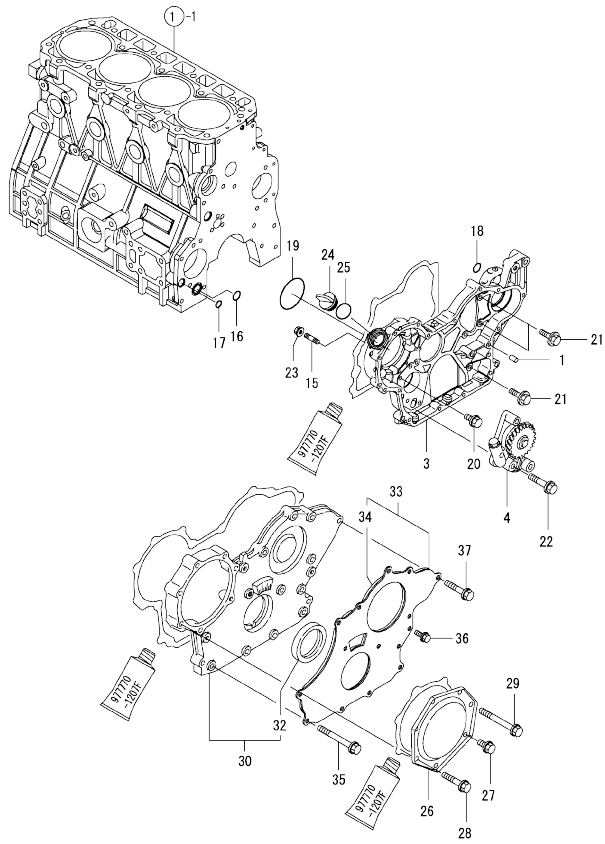
(A)=4TNV98-ZSCK5
(B)=
(C)=

(D)=
(E)=
(F)=

No.	Lev.	Parts No.	Description	Q'ty						I	R
				(A)	(B)	(C)	(D)	(E)	(F)		
1	1	729927-01560	BLOCK ASSY, CYLINDER	1							
4	2	129900-01250	PLUG, DISH TYPE 55	1							
5	2	171051-01921	PLUG, NPTF1	1							
6	2	129900-02020	BOLT, METAL CAP	10							
9	2	129900-02410	BUSH, CAMSHAFT	1							
10	2	22351-060012	PIN, SPRING 6.0X12	2							
11	2	23876-030000	PLUG, R03	1							
12	2	23876-030000	PLUG, R03	1							
13	2	23876-030000	PLUG, R03	1							
14	2	27241-300000	PLUG 30	8							
24	2	129900-02931	BEARING ASSY, THRUST	2							
27	1	129900-01200	BOLT, CYLINDER HEAD	18							
28	1	129907-01331	GASKET, HEAD	1							
29	1	729900-02801	BEARING, MAIN	5							1
32	1	129900-02341	BEARING ASSY, MAIN	5							2
35	1	129900-02941	BEARING, THRUST 0.25	2							3

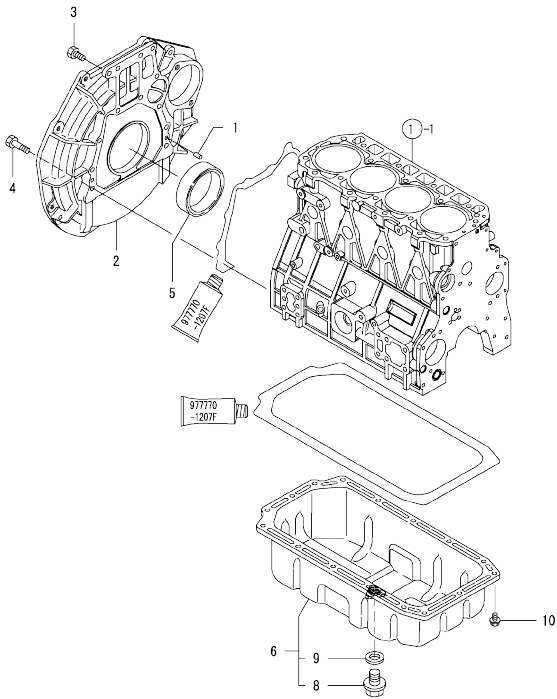
Remarks
(1)REPAIR PART.
(2)UNDER SIZED(U.S.=0.25)PART.
(3)OVER SIZED(O.S.=0.25)PART.

Fig.2. GEAR HOUSING



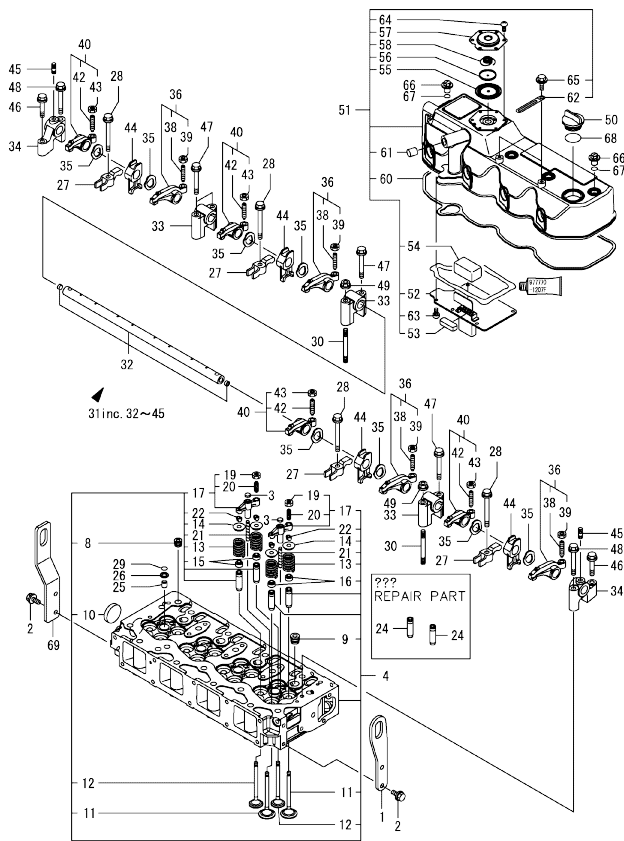
No.	Lev.	Parts No.	Description	Qty						I	R
				(A)	(B)	(C)	(D)	(E)	(F)		
1	1	129100-01580	PIN, PARALLEL 8X16	4							
3	1	129906-01500	CASE ASSY, GEAR	1							
4	1	129900-32001	PUMP ASSY, OIL	1							
15	1	26216-100302	STUD, M10X 30	4							
16	1	129900-32030	O-RING, P20	1							
17	1	129900-32040	O-RING, P14	1							
18	1	24311-000070	O-RING, 1AP7.0	1							
19	1	24351-030750	O-RING, 1A3075	1							
20	1	26106-080162	BOLT, M8X 16 PLATED	1							
21	1	26106-080202	BOLT, M8X 20 PLATED	3							
22	1	26106-080452	BOLT, M8X 45 PLATED	3							
23	1	26306-100002	NUT, M10	4							
24	1	124160-01751	CAP, FILLER	1							
25	1	24311-000320	O-RING, 1AP32.0	1							
26	1	129900-01740	COVER	1							
27	1	26106-080162	BOLT, M8X 16 PLATED	1							
28	1	26106-080402	BOLT, M8X 40 PLATED	5							
29	1	26106-080702	BOLT, M8X 70 PLATED	1							
30	1	729907-01559	COVER ASSY, GEAR CASE	1							
32	2	129916-01800	SEAL, OIL	1							
33	1	129900-01850	COVER ASSY, GEAR CASE	1							
34	2	129900-01870	SPONGE, GEAR CASE	1							
35	1	26106-080702	BOLT, M8X 70 PLATED	6							
36	1	26106-080162	BOLT, M8X 16 PLATED	3							
37	1	26106-080402	BOLT, M8X 40 PLATED	5							

Fig.3. FLYWHEEL HOUSING & OIL SUMP



No.	Lev.	Parts No.	Description	Q'ty					
				(A)	(B)	(C)	(D)	(E)	(F)
1	1	129100-01580	PIN, PARALLEL 8X16	2					
2	1	129916-01630	HOUSING, FLYWHEEL	1					
3	1	26206-100202	BOLT, M10X 20 PLATED	4					
4	1	26206-100352	BOLT, M10X 35 PLATED	9					
5	1	124411-01780	SEAL, HTC95X115X12	1					
6	1	129953-01710	OIL PAN ASSY	1					
8	2	119640-01640	PLUG, DRAIN M22	1					
9	2	22190-220002	WASHER, SEAL 22	1					
10	1	26106-080122	BOLT, M8X 12 PLATED	16					

Fig.4. CYLINDER HEAD & BONNET



(A)=4TNV98-ZSCK5
(B)=
(C)=

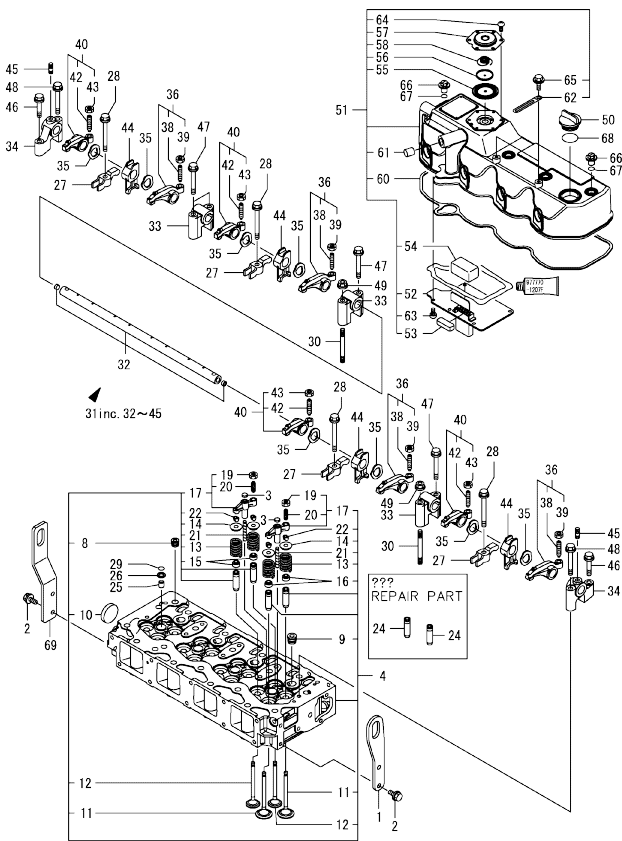
(D)=
(E)=
(F)=

No.	Lev.	Parts No.	Description	Q'ty						I	R
				(A)	(B)	(C)	(D)	(E)	(F)		
1	1	129907-07900	LIFTER, ENGINE	1							
2	1	26106-080162	BOLT, M8X 16 PLATED	4							
3	1	123907-11550	SEAT, VALVE BRIDGE	8							
4	1	129927-11700	HEAD ASSY, CYLINDER	1							
8	2	23876-020000	PLUG, R02	1							
9	2	23876-030000	PLUG, R03	4							
10	2	27241-400000	PLUG, 40	1							
11	2	129907-11100	VALVE, SUCTION	8							
12	2	129907-11110	VALVE, EXHAUST	8							
13	2	129907-11120	SPRING, VALVE	16							
14	2	119620-11180	RETAINER, SPRING	16							
15	2	119803-11340	SEAL, VALVE STEM	8							
16	2	124160-11340	SEAL, VALVE STEM	8							
17	2	129907-11510	BRIDGE ASSY, VALVE	8							
19	3	129150-11750	NUT, M8	8							
20	3	123907-11830	ADJUSTER	8							
21	2	123907-11820	GUIDE, BRIDGE	8							
22	2	27310-070001	COTTER, 7	16							
24	1	129907-11800	GUIDE, VALVE	16							1
25	1	119802-11870	PROTECTOR, NOZZLE	4							
26	1	119625-11880	SEAT, NOZZLE	4							
27	1	129907-11910	RETAINER, NOZZLE	4							
28	1	129907-11950	BOLT, M8X75	4							
29	1	24311-000120	O-RING, 1AP12.0	4							
30	1	119593-11301	BOLT, STUD M8X80	2							
31	1	129907-11341	SHAFT ASSY, ROCKER	1							
32	2	129907-11250	SHAFT, ROCKER ARM	1							
33	2	129907-11260	SUPPORT, ROCKER ARM	3							
34	2	129907-11270	SUPPORT, ROCKER ARM	2							
35	2	123907-11280	WASHER	8							
36	2	129907-11650	ARM ASSY, ROCKER	4							
38	3	129150-11230	SCREW, VALVE ADJUST	4							
39	3	129150-11750	NUT, M8	4							
40	2	129907-11660	ARM ASSY, ROCKER	4							
42	3	129150-11230	SCREW, VALVE ADJUST	4							
43	3	129150-11750	NUT, M8	4							
44	2	129907-11920	RETAINER, NOZZLE	4							
45	2	26226-080222	STUD, M8X 22	2							
46	1	26106-080402	BOLT, M8X 40 PLATED	2							
47	1	26106-080602	BOLT, M8X 60 PLATED	4							
48	1	26106-080602	BOLT, M8X 60 PLATED	2							
49	1	26306-080002	NUT, M8	2							
50	1	124160-01751	CAP, FILLER	1							
51	1	129927-11320	BONNET ASSY, HEAD	1							
52	2	129907-03011	PLATE, BAFFLE	1							
53	2	129907-03061	BAFFLE, BREATHER	1							
54	2	129907-03070	BAFFLE, BREATHER	1							
55	2	123907-03100	DIAPHRAGM	1							
56	2	123907-03110	PLATE	1							
57	2	123907-03120	PLATE, BREATHER	1							
58	2	123907-03140	SPRING, DIAPHRAGM	1							

Remarks

(1)REPAIR PART.

Fig.4. CYLINDER HEAD & BONNET



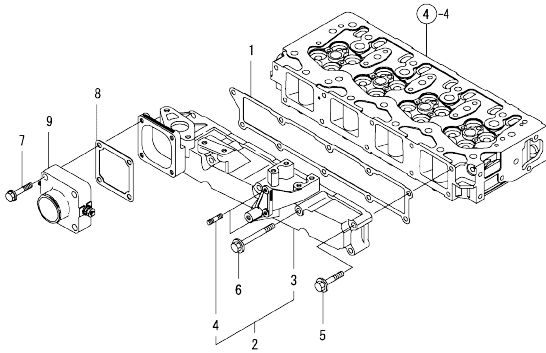
(A)=4TNV98-ZSCK5
(B)=
(C)=

(D)=
(E)=
(F)=

No.	Lev.	Parts No.	Description	Qty						I	R
				(A)	(B)	(C)	(D)	(E)	(F)		
60	2	129933-11310	GASKET, BONNET	1							
61	2	119640-61400	PLUG	1							
62	2	175339-79700	CLIP	2							
63	2	22857-500100	SCREW, 5X10	6							
64	2	22857-500100	SCREW, 5X10	6							
65	2	26106-060122	BOLT, M6X 12 PLATED	2							
66	1	124160-11360	KNOB	4							
67	1	24311-000120	O-RING, 1AP12.0	4							
68	1	24311-000320	O-RING, 1AP32.0	1							
69	1	129939-07920	LIFTER	1							

Remarks
(1)REPAIR PART.

Fig.5. SUCTION MANIFOLD

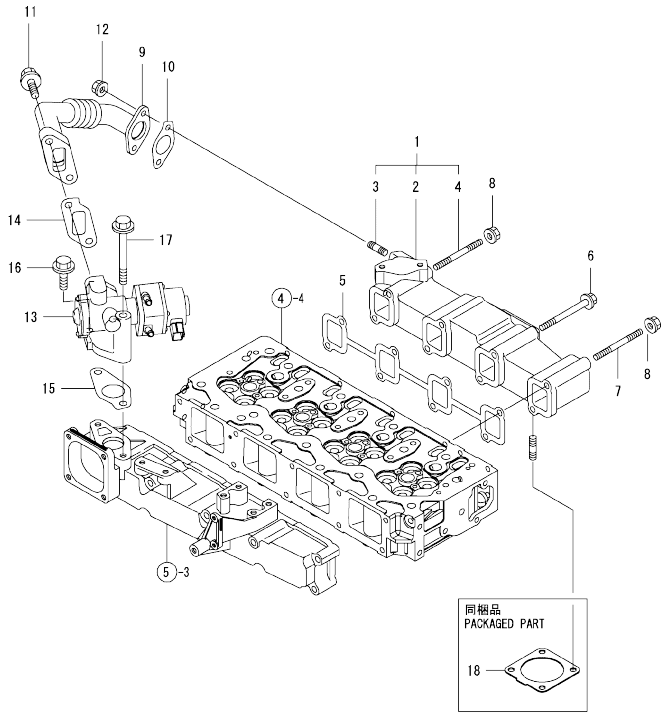


(A)=4TNV98-ZSCK5
(B)=
(C)=

(D)=
(E)=
(F)=

No.	Lev.	Parts No.	Description	Q'ty						I	R
				(A)	(B)	(C)	(D)	(E)	(F)		
1	1	129907-12110	GASKET, MANIFOLD	1							
2	1	129927-12150	MANIFOLD ASSY,INTAKE	1							
3	2	129927-12100	MANIFOLD, AIR INTAKE	1							
4	2	26216-060202	STUD, M6X 20	2							
5	1	26106-080452	BOLT, M8X 45 PLATED	6							
6	1	26106-080802	BOLT, M8X 80 PLATED	4							
7	1	26106-080352	BOLT, M8X 35 PLATED	4							
8	1	121850-77021	GASKET, AIR HEATER	1							
9	1	129915-77051	HEATER, AIR 12V	1							

Fig.6. EXHAUST MANIFOLD & SILENCER



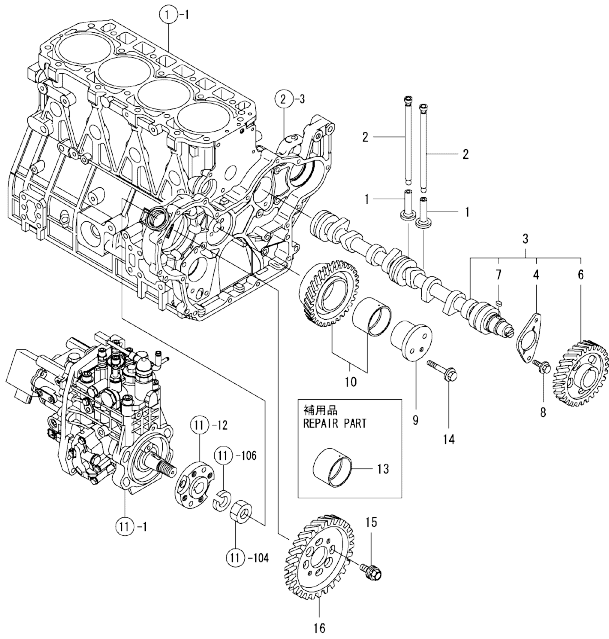
No.	Lev.	Parts No.	Description	Q'ty						I	R
				(A)	(B)	(C)	(D)	(E)	(F)		
1	1	129939-13170	MANIFOLD ASSY, EXH.	1							
2	2	129939-13120	MANIFOLD, EXHAUST	1							
3	2	119131-18320	BOLT, STUD M8X22	4							
4	2	129418-18320	BOLT, STUD M8X20	1							
5	1	129900-13251	GASKET, EXH.MANIFOLD	1							
6	1	119802-13680	BOLT, M8X90 10.9T	6							
7	1	129263-13210	BOLT, STUD M8X90	2							
8	1	26306-080002	NUT, M8	2							
9	1	129927-13800	PIPE ASSY, EGR	1							
10	1	129927-13810	GASKET	1							
11	1	26106-100302	BOLT, M10X 30 PLATED	2							
12	1	26306-080002	NUT, M8	2							
13	1	129928-13900	VALVE, EGR	1							
14	1	129927-13910	GASKET, EGR	1							
15	1	129927-13920	GASKET, EGR	1							
16	1	26106-100302	BOLT, M10X 30 PLATED	1							
17	1	26106-100952	BOLT, M10X 95 PLATED	1							
18	1	129930-13201	GASKET, SILENCER	1							

Fig.7. CAMSHAFT & DRIVING GEAR

(A)=4TNV98-ZSCK5
(B)=
(C)=

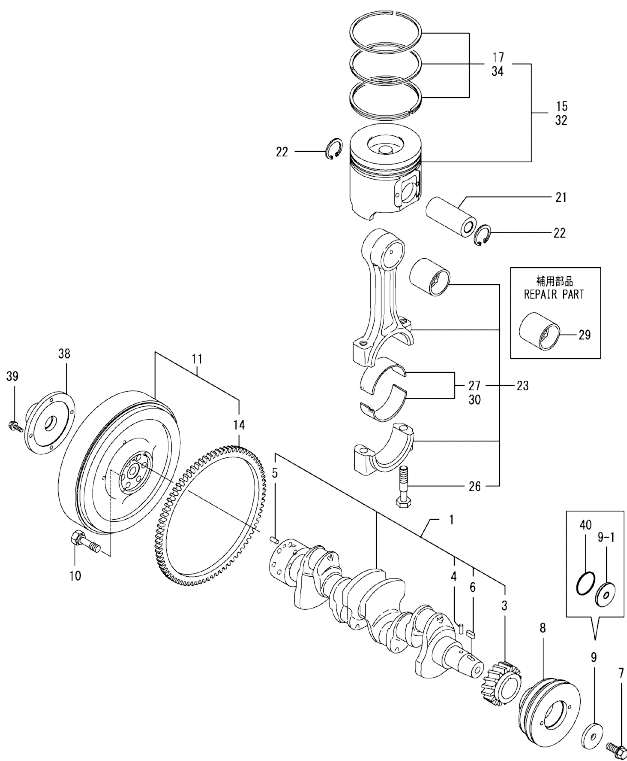
(D)=
(E)=
(F)=

No.	Lev.	Parts No.	Description	Q'ty						I	R
				(A)	(B)	(C)	(D)	(E)	(F)		
1	1	129150-14200	TAPPET	8							
2	1	129907-14400	PUSH-ROD	8							
3	1	129908-14581	CAMSHAFT ASSY	1							
4	2	129150-02450	BEARING, THRUST	1							
6	2	129900-14100	GEAR, CAMSHAFT	1							
7	2	22512-070140	KEY, 7X 14	1							
8	1	26106-080162	BOLT, M8X 16 PLATED	2							
9	1	123900-25060	SHAFT, IDLE GEAR	1							
10	1	129900-25100	GEAR ASSY, IDLE	1							
13	1	129150-25920	BUSH, IDLE GEAR	1							1
14	1	26106-080552	BOLT, M8X 55 PLATED	3							
15	1	129953-25300	BOLT	4							
16	1	129907-25900	GEAR, PUMP	1							



Remarks
(1)REPAIR PART.

Fig.8. CRANKSHAFT & PISTON



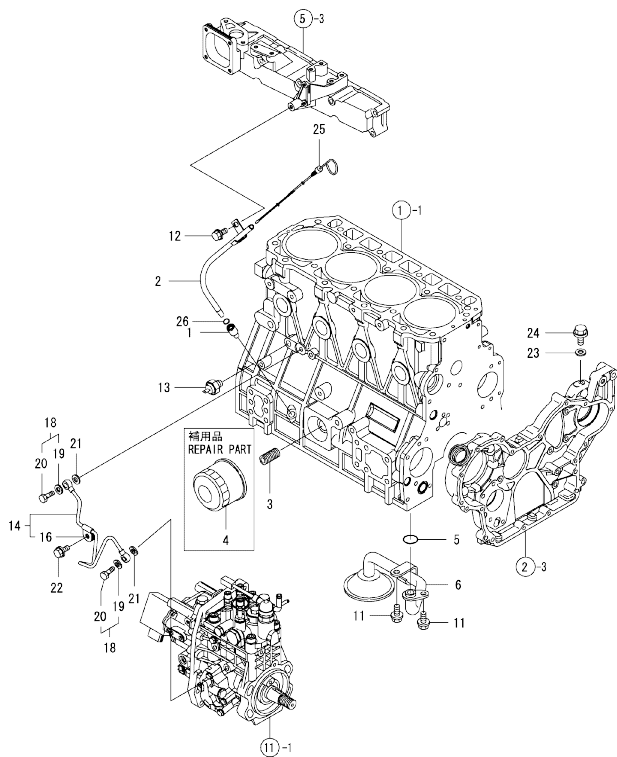
(A)=4TNV98-ZSCK5
(B)=
(C)=

(D)=
(E)=
(F)=

No.	Lev.	Parts No.	Description	Q'ty						I	R
				(A)	(B)	(C)	(D)	(E)	(F)		
1	1	129902-21000	CRANKSHAFT ASSY	1							
3	2	129900-21200	GEAR, CRANKSHAFT	1							
4	2	121850-21290	PIN	1							
5	2	121850-21920	PIN, PARALLEL 10X22	1							
6	2	22512-070140	KEY, 7X 14	1							
7	1	129916-21610	BOLT	1							
8	1	129907-21660	V-PULLEY, CRANK 130	1							
9	1	129900-21640	WASHER	1							
9-1	1	129960-21940	WASHER, V-PULLEY	1							N
(A=*2018.08)											
10	1	121850-21130	BOLT, FLYWHEEL	6							
11	1	129916-21570	FLYWHEEL ASSY	1							
14	2	129900-21600	GEAR, RING	1							
15	1	129927-22080	PISTON ASSY	4							
17	2	129927-22050	RING SET, PISTON	4							
21	1	120130-22301	PIN, PISTON	4							
22	1	22252-000300	RING, 30	8							
23	1	129900-23001	ROD ASSY, CONNECTING	4							
26	2	129900-23200	BOLT, CONNECTING ROD	8							
27	2	129900-23601	BEARING, CRANK PIN	4							
29	1	129900-23911	BEARING, PISTON PIN	4							1
30	1	129900-23611	BEARING ASSY, 0.25US	4							2
32	1	729927-22900	PISTON ASSY, 0.25 OS	4							3
34	2	729927-22950	RING SET, 0.25 OS	4							3
38	1	129916-21460	FLANGE	1							
38-1	1	129931-21460	FLANGE	1							N
(A=EB1033)											
39	1	26106-080222	BOLT, M8X 22 PLATED	4							
40	1	129960-21930	GASKET, WASHER	1							W
(A=*2018.08)											

Remarks
(1)REPAIR PART.
(2)UNDER SIZED(U.S.=0.25)PART.
(3)OVER SIZED(O.S.=0.25)PART.

Fig.9. LUB.OIL SYSTEM



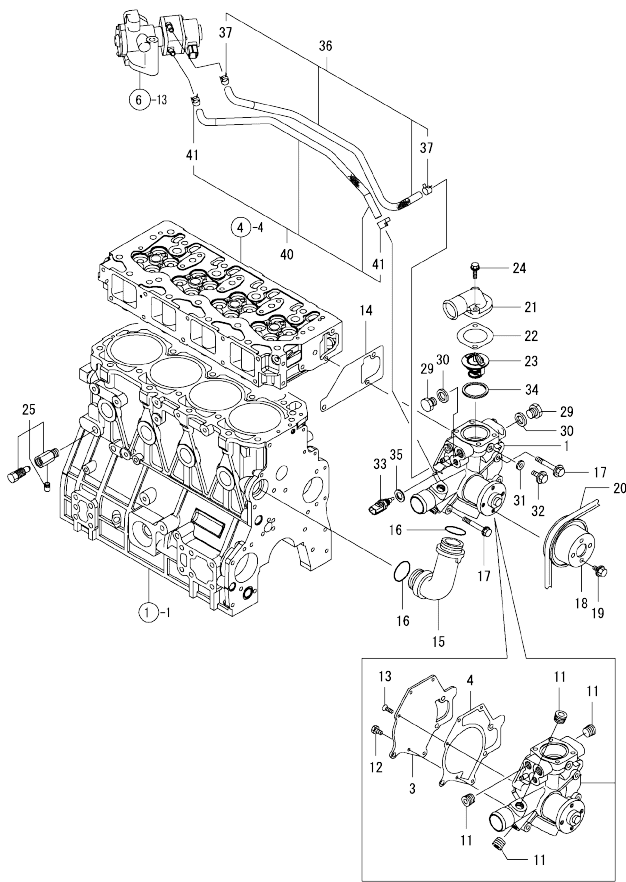
(A)=4TNV98-ZSCK5
(B)=
(C)=

(D)=
(E)=
(F)=

No.	Lev.	Parts No.	Description	Q'ty						I	R
				(A)	(B)	(C)	(D)	(E)	(F)		
1	1	119260-34810	GUIDE, DIPSTICK	1							
2	1	129928-34850	GUIDE, DIPSTICK	1							
3	1	119000-35140	BOLT, STUD FILTER	1							
4	1	119005-35151	FILTER, D80X100	1							1
5	1	129900-32030	O-RING, P20	1							
6	1	129900-35000	PIPE ASSY, OIL INLET	1							
11	1	26106-080122	BOLT, M8X 12 PLATED	2							
12	1	26106-080162	BOLT, M8X 16 PLATED	1							
13	1	119761-39450	SWITCH, HYDRAULIC	1							
14	1	129927-39060	PIPE ASSY, OIL	1							
16	2	123907-39500	RETAINER, PIPE	1							
18	1	129005-59830	BOLT ASSY, JOINT M8	2							
19	2	22190-080002	WASHER, SEAL 6	2							
20	2	23857-030000	BOLT, JOINT 3	2							
21	1	22190-080002	WASHER, SEAL 6	2							
22	1	26106-080122	BOLT, M8X 12 PLATED	1							
23	1	22190-080002	WASHER, SEAL 6	1							
24	1	26106-080122	BOLT, M8X 12 PLATED	1							
25	1	129921-34800	DIPSTICK, OIL	1							
26	1	24316-240100	O-RING, 4DP10A	1							

Remarks
(1) REPAIR PART.

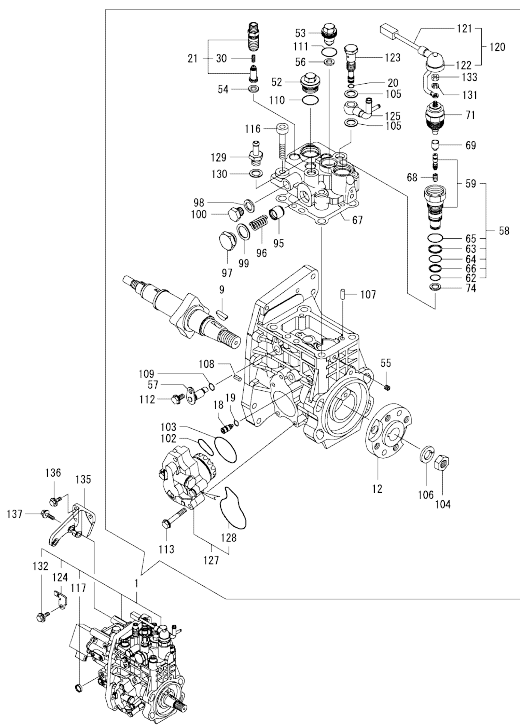
Fig.10. COOLING WATER SYSTEM



No.	Lev.	Parts No.	Description	Qty						I	R	
				(A)	(B)	(C)	(D)	(E)	(F)			
1	1	129939-42011	PUMP ASSY, WATER	1								
3	2	129900-42161	COVER	1								
4	2	129900-42170	GASKET	1								
11	2	129916-49740	PLUG, R3/8	4								
12	2	26116-060162	BOLT, M6X 16 PLATED	2								
13	2	26577-060152	SCREW, M6X15	3								
14	1	129900-42061	GASKET, WATER PUMP	1								
15	1	129900-42070	PIPE, WATER	1								
16	1	129900-42140	O-RING, P36	2								
17	1	26106-080552	BOLT, M8X 55 PLATED	3								
18	1	129930-42450	V-PULLEY, C.W.PUMP	1								
19	1	26106-080102	BOLT, M8X 10 PLATED	4								
20	1	25152-004500	V-BELT, A45	1								
21	1	129900-49551	COVER, THERMOSTAT	1								
22	1	129900-49560	GASKET	1								
23	1	121850-49800	THERMOSTAT, 82C	1								
24	1	26106-080252	BOLT, M8X 25 PLATED	2								
25	1	119620-49290	COCK ASSY, 1/4	1								
29	1	121450-42450	PLUG, M16	2								
30	1	124465-44950	GASKET, 16	2								
31	1	23414-080000	GASKET, 8X1.0	1								
32	1	26106-080122	BOLT, M8X 12 PLATED	1								
33	1	129927-44900	SENSOR, WATER TEMP.	1								
34	1	121850-49550	GASKET, THERMOSTAT	1								
35	1	22190-120002	WASHER, SEAL 12	1								
36	1	129938-49650	PIPE ASSY, WATER	1								
37	2	23080-012000	CLAMP, 12	2								
40	1	129938-49660	PIPE ASSY, WATER	1								
41	2	23080-012000	CLAMP, 12	2								

N:Old $\frac{New}{Old}$ New, Q:Old $\frac{New}{Old}$ New, R:Old $\frac{New}{Old}$ New, S:Old $\frac{New}{Old}$ New, W:Add, Z:Discontinued, F:Interchangeable by set, K:Qty Change
 Copyright (C) YANMAR GLOBAL CS CO., LTD. All Rights Reserved.

Fig.11. FUEL INJECTION PUMP



Remarks

(1) GOVERNOR ASSY (FIG.12) IS INCORPORATED IN THIS FOP.CMP (REF.NO.1).
 * ECO PUMP
 MAKE SURE TO UPDATE THE ENGINES ECU INFORMATION WHEN REPLACING THE ECO PUMP.
 FAILING TO DO SO WILL RESULT IN ENGINE MALFUNCTION.

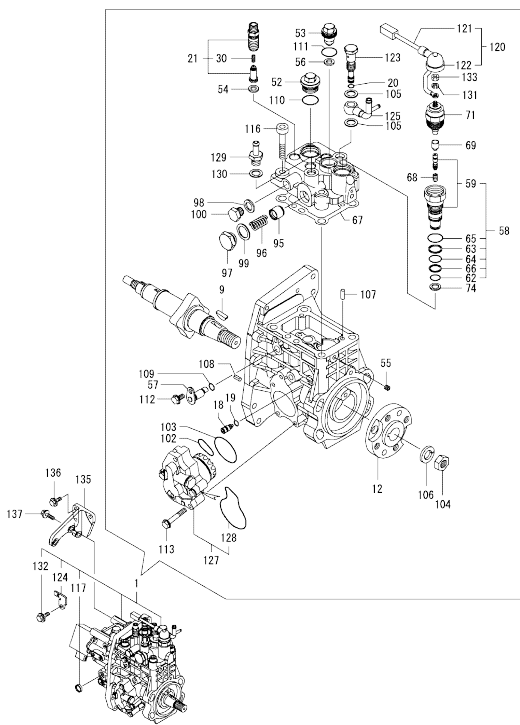
(A)=4TNV98-ZSCK5
 (B)=
 (C)=

(D)=
 (E)=
 (F)=

No.	Lev.	Parts No.	Description	Q'ty						I	R
				(A)	(B)	(C)	(D)	(E)	(F)		
1	1	729938-51390	PUMP ASSY, INJECTION	1							1
9	2	144626-51090	FEATHER KEY, 5X19	1							
12	2	158563-51150	FLANGE	1							
18	2	158600-51270	STOPPER, TAPPET	1							
19	2	158563-51281	O-RING, 4D S6	1							
20	2	158563-51281	O-RING, 4D S6	1							
21	2	129927-51390	VALVE ASSY, DELIVERY	4							
30	3	158563-51330	SPRING, DELIVERY	4							
52	2	158601-51550	PLUG, M22	1							
53	2	129907-51560	PLUG, M16	1							
54	2	158552-51571	GASKET, PLUG	4							
55	2	158557-51570	PLUG, RACK	1							
56	2	129906-51580	GASKET, PLUG	1							
57	2	158552-51580	LIFTER, LINK	1							
58	2	129657-51590	TIMER ASSY	1							
59	3	129657-51600	TIMER ASSY	1							
62	3	158553-51670	O-RING	1							
63	3	119802-51680	RING, BACKUP	1							
64	3	119802-51690	O-RING	1							
65	3	24356-010200	O-RING, 4D1020	1							
66	3	24372-000150	RING, BACK UP T2P15	1							
67	2	158560-51600	GASKET	1							
68	2	119852-51630	SPRING, TIMER	1							
69	2	119852-51640	CAP, TIMER	1							
71	2	119852-51650	VALVE ASSY, SOLENOID	1							
74	2	158553-51680	GASKET, TIMER	1							
95	2	158601-51770	PISTON, ACCUMULATOR	1							
96	2	158552-51781	SPRING, ACCUMULATOR	1							
97	2	158601-51790	PLUG	1							
98	2	22190-120002	WASHER, SEAL 12	1							
99	2	22190-180002	WASHER, SEAL 18	1							
100	2	158553-51930	PLUG, M12	1							
102	2	158552-52311	O-RING	1							
103	2	158552-52400	O-RING, 4E S42	1							
104	2	26776-180002	NUT, LOCK M18	1							
105	2	22190-120002	WASHER, SEAL 12	2							
106	2	22217-180000	WASHER, SPRING 18	1							
107	2	22312-050140	PIN, PARALLEL M5X14	2							
108	2	22351-050010	PIN, SPRING 5.0X10	2							
109	2	24311-000070	O-RING, 1AP7.0	1							
110	2	24356-010200	O-RING, 4D1020	1							
111	2	24356-020210	O-RING, 4D2021	1							
112	2	26106-060102	BOLT, M6X 10 PLATED	1							
113	2	26106-060352	BOLT, M6X 35 PLATED	4							
116	2	26450-100452	BOLT, M10X 45	4							
117	2	27241-160000	PLUG, 16	1							
120	2	129927-51650	HARNES ASSY, WIRE	1							
121	3	129927-51660	HARNES	1							
122	3	129263-77941	CAP, RUBBER	1							
123	2	158601-51650	JOINT, OVER FLOW	1							
124	2	129927-51670	BRACKET	1							

N:Old $\frac{New}{Old}$ New, Q:Old $\frac{New}{Old}$ New, R:Old $\frac{New}{Old}$ New, S:Old $\frac{New}{Old}$ New, W:Add, Z:Discontinued, F:Interchangeable by set, K:Q'ty Change
 ++ CONTINUE ++
 Copyright (C) YANMAR GLOBAL CS CO., LTD. All Rights Reserved.

Fig.11. FUEL INJECTION PUMP



(A)=4TNV98-ZSCK5
(B)=
(C)=

(D)=
(E)=
(F)=

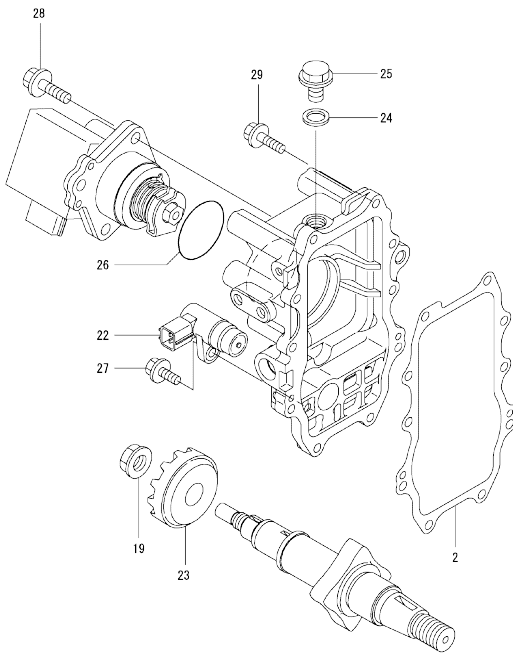
No.	Lev.	Parts No.	Description	Q'ty					
				(A)	(B)	(C)	(D)	(E)	(F)
125	2	158552-51670	JOINT, OVER FLOW	1					
127	2	158552-52100	PUMP ASSY, FUEL FEED	1					
128	3	158552-52500	O-RING	1					
129	2	119934-59910	JOINT, PIPE	1					
130	2	22190-120002	WASHER, SEAL 12	1					
131	2	22217-050000	WASHER, SPRING 5	1					
132	2	26106-060122	BOLT, M6X 12 PLATED	1					
133	2	26716-050002	NUT, M5	1					
135	1	129927-51250	RETAINER, PUMP	1					
136	1	26106-080202	BOLT, M8X 20 PLATED	3					
137	1	26106-080302	BOLT, M8X 30 PLATED	3					

Remarks

(1) GOVERNOR ASSY (FIG.12) IS INCORPORATED IN THIS FOP.CMP (REF.NO.1).
* ECO PUMP
MAKE SURE TO UPDATE THE ENGINES ECU INFORMATION WHEN REPLACING THE ECO PUMP.
FAILING TO DO SO WILL RESULT IN ENGINE MALFUNCTION.

0CW10-M56300 4TNV98-ZSCK5
 Fig.12. GOVERNOR

0CW10-M56300 Fig.12



(A)=4TNV98-ZSCK5
 (B)=
 (C)=

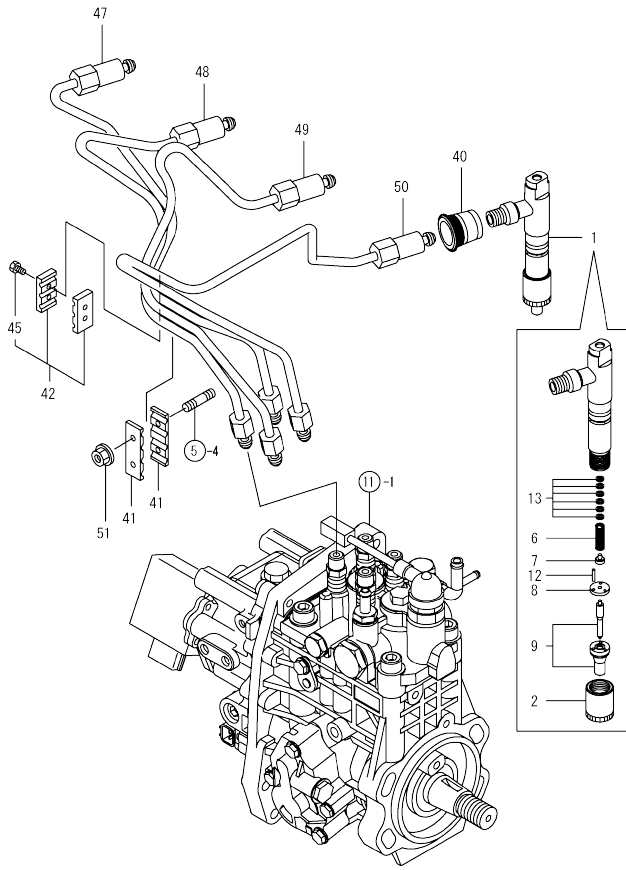
(D)=
 (E)=
 (F)=

No.	Lev.	Parts No.	Description	Q'ty						I	R
				(A)	(B)	(C)	(D)	(E)	(F)		
2	2	158560-61050	GASKET	1							
19	2	129008-61301	NUT	1							
22	2	158557-61720	SENSOR	1							
23	2	158553-61780	GEAR, SENSOR	1							
24	2	22190-120000	WASHER, SEAL 12	1							
25	2	158553-51930	PLUG, M12	1							
26	2	24341-000480	O-RING, 1AS48.0	1							
27	2	26106-060162	BOLT, M6X 16 PLATED	1							
28	2	26106-080252	BOLT, M8X 25 PLATED	3							
29	2	26106-080252	BOLT, M8X 25 PLATED	10							

Remarks
 * THIS FIGURE(GOVERNOR ASSY)IS
 INCORPORATED IN THE FUEL INJECTION
 PUMP ASSY(FIG.11).

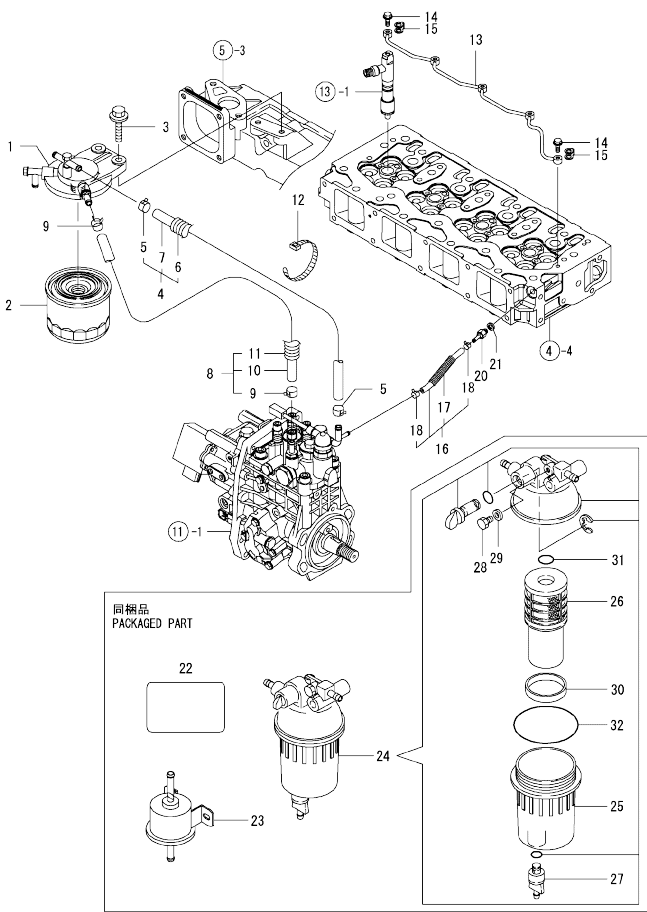
N:Old $\frac{100}{100}$ New, Q:Old $\frac{100}{100}$ New, R:Old $\frac{100}{100}$ New, S:Old $\frac{100}{100}$ New, W:Add, Z:Discontinued, F:Interchangeable by set, K:Qty Change
 Copyright (C) YANMAR GLOBAL CS CO., LTD. All Rights Reserved.

Fig.13. FUEL INJECTION VALVE



No.	Lev.	Parts No.	Description	Q'ty						I	R
				(A)	(B)	(C)	(D)	(E)	(F)		
1	1	729927-53200	FUEL INJECTOR ASSY	4							
2	2	114250-53080	NUT, NOZZLE	4							
6	2	114250-53120	SPRING, NOZZLE	4							
7	2	114250-53130	SEAT, SPRING	4							
8	2	114250-53140	SPACER	4							
9	2	129927-53200	NOZZLE ASSY, F.I.	4							
12	2	114250-53210	PIN	8							
13	2	119803-53400	SHIM SET	4							
40	1	123907-11601	SEAL, PIPE	4							
41	1	123472-59120	RETAINER, PIPE	2							
42	1	129150-59120	RETAINER, PIPE	1							
45	2	129150-59131	BOLT, M4X14	2							
47	1	129927-59810	PIPE ASSY, INJECTION	1							
48	1	129927-59820	PIPE ASSY, INJECTION	1							
49	1	129927-59830	PIPE ASSY, INJECTION	1							
50	1	129927-59840	PIPE ASSY, INJECTION	1							
51	1	26366-060002	NUT, M6	2							

Fig.14. FUEL LINE

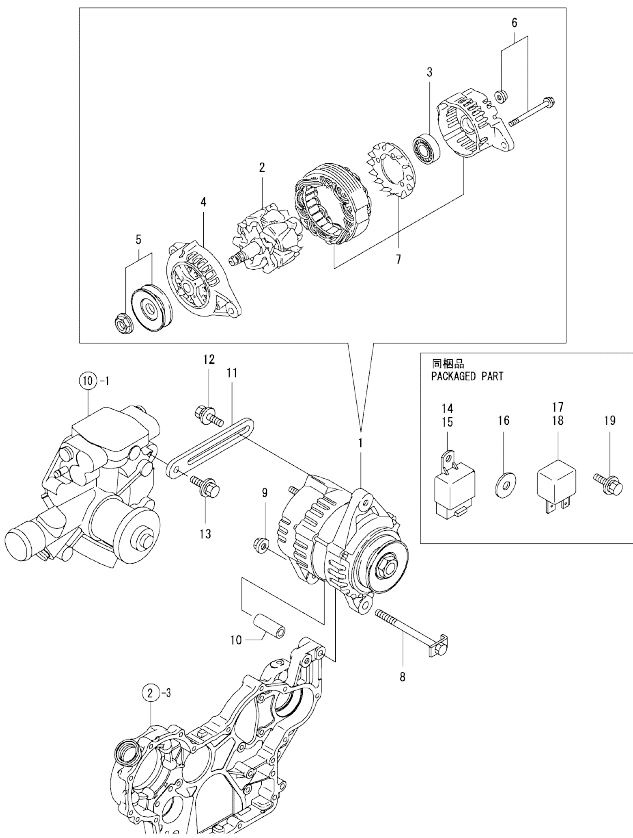


No.	Lev.	Parts No.	Description	Q'ty						I	R
				(A)	(B)	(C)	(D)	(E)	(F)		
1	1	129004-55612	BRACKET, FILTER	1							
2	1	129907-55801	FILTER, FUEL	1							
3	1	26106-080302	BOLT, M8X 30 PLATED	2							
4	1	129457-59010	HOSE ASSY, FUEL	1							
5	2	124766-59050	CLAMP, HOSE 11.5	2							
6	2	129957-59120	TUBE, CORRUGATED 15	1							
7	2	105025-59750	HOSE, FUEL	1							
8	1	129961-59310	HOSE ASSY, FUEL	1							
9	2	124766-59050	CLAMP, HOSE 11.5	2							
10	2	129136-59110	HOSE, D13/7.5X270	1							
11	2	129961-59110	TUBE, CORRUGATED 15	1							
12	1	121750-59890	BAND, NYLON	1							
13	1	129907-59140	PIPE ASSY, RETURN	1							
14	1	123907-59540	BOLT, PIPE JOINT M6	5							
15	1	123907-59550	GASKET	5							
16	1	129927-59550	HOSE ASSY RETURN	1							
17	2	129263-49750	TUBE, CORRUGATED	1							
18	2	124722-59050	CLAMP, HOSE 9	2							
20	1	123907-59560	JOINT, HOSE	1							
21	1	22190-080002	WASHER, SEAL 6	1							
22	1	114110-07760	LABEL, FUEL CAUTION	1							
23	1	129612-52100	PUMP, FUEL FEED	1							
24	1	129242-55700	SEPARATOR ASSY, WATER	1							
25	2	129242-55720	CUP, SEPARATOR	1							
26	2	129242-55730	ELEMENT, FUEL	1							
27	2	129242-55740	PLUG, DRAIN	1							
28	2	129242-55750	VALVE, AIR VENT	1							
29	2	129242-55760	GASKET, PLUG	1							
30	2	129242-55770	FLOAT	1							
31	2	24311-000160	O-RING, 1AP16.0	1							
32	2	24321-000750	O-RING, 1AG75.0	1							

N:Old $\frac{100}{100}$ New, Q:Old $\frac{100}{100}$ New, R:Old $\frac{100}{100}$ New, S:Old $\frac{100}{100}$ New, W:Add, Z:Discontinued, F:Interchangeable by set, K:Q'ty Change
 Copyright (C) YANMAR GLOBAL CS CO., LTD. All Rights Reserved.

0CW10-M56300 4TNV98-ZSCK5
 Fig.15. GENERATOR

0CW10-M56300 Fig.15



(A)=4TNV98-ZSCK5
 (B)=
 (C)=

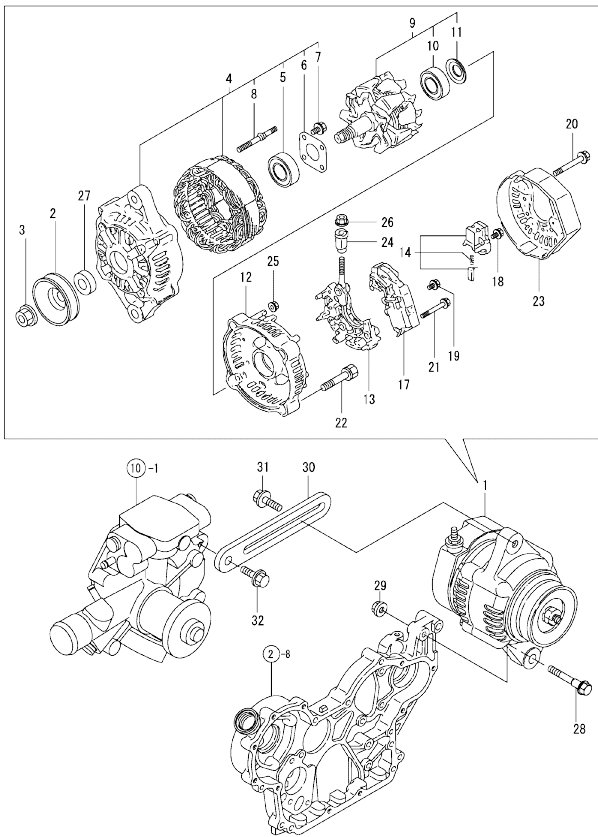
(D)=
 (E)=
 (F)=

No.	Lev.	Parts No.	Description	Q'ty						I	R
				(A)	(B)	(C)	(D)	(E)	(F)		
1	1	129930-77212	GENERATOR ASSY, 40A	1							
2	2	129612-77700	ROTOR ASSY	1							
3	2	129612-77710	BEARING, BALL	1							
4	2	129612-77730	BRACKET ASSY, FILTER	1							
5	2	129930-77740	PULLEY, GENERATOR	1							
6	2	129612-77750	SCREW KIT	1							
7	2	129930-77930	BRACKET ASSY	1							
8	1	129136-77251	BOLT, M8X114	1							
9	1	129612-77260	NUT, ALTERNATOR	1							
10	1	129150-77340	SPACER	1							
11	1	129900-77330	ADJUSTER, BELT	1							
12	1	119810-77340	BOLT, ADJUST L=30	1							
13	1	26014-080252	BOLT, M8X 25	1							
14	1	198461-52950	RELAY, CA TYPE C	1							
15	1	198461-52950	RELAY, CA TYPE C	1							
16	1	129927-77690	WASHER, ECU	3							
17	1	129927-77920	RELAY, ISO 70A	1							
18	1	129927-77920	RELAY, ISO 70A	1							
19	1	26106-080252	BOLT, M8X 25 PLATED	3							

Remarks
 *This item is applicable to
 [(A)=EZZZZZ-1] or previous machines.
 Refer to Fig.18.

N:Old $\frac{100}{100}$ New, Q:Old $\frac{100}{100}$ New, R:Old $\frac{100}{100}$ New, S:Old $\frac{100}{100}$ New, W:Add, Z:Discontinued, F:Interchangeable by set, K:Qty Change
 Copyright (C) YANMAR GLOBAL CS CO., LTD. All Rights Reserved.

Fig.18. (15A)GENERATOR



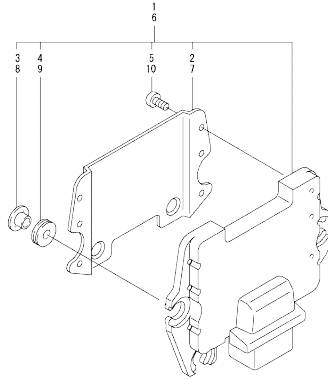
(A)=4TNV98-ZSCK5
(B)=
(C)=

(D)=
(E)=
(F)=

No.	Lev.	Parts No.	Description	Q'ty						I	R
				(A)	(B)	(C)	(D)	(E)	(F)		
1	1	129961-77200	GENERATOR ASSY, 55A	1							
2	2	119620-77461	PULLEY, GENERATOR	1							
3	2	119620-77471	NUT	1							
4	2	129961-77421	FRAME ASSY	1							
5	3	119620-79200	BEARING, BALL	1							
6	3	119620-79210	RETAINER	1							
7	3	119620-79220	SCREW	4							
8	3	119620-79230	BOLT, STUD	2							
9	2	129052-77380	ROTOR ASSY	1							
10	3	123501-79240	BEARING, BALL	1							
11	3	119620-79250	COVER, BEARING	1							
12	2	128401-77440	COVER	1							
13	2	129052-79260	HOLDER	1							
14	2	129052-79270	HOLDER, BRUSH	1							
17	2	119620-77710	REGULATOR ASSY	1							
18	2	119620-79290	SCREW	6							
19	2	119620-79300	SCREW	1							
20	2	119620-79310	BOLT	3							
21	2	119620-79320	SCREW	2							
22	2	119620-79330	BOLT	2							
23	2	128401-77450	COVER, GENERATOR	1							
24	2	119620-79340	BUSH, INSULATION	1							
25	2	119620-79350	NUT	2							
26	2	X9490561001	NUT	1							
27	2	119620-77490	COLLAR	1							
28	1	129960-77250	BOLT, GENERATOR	1							
29	1	129612-77260	NUT, ALTERNATOR	1							
30	1	129900-77330	ADJUSTER, BELT	1							
31	1	119810-77340	BOLT, ADJUST L=30	1							
32	1	26014-080252	BOLT, M8X 25	1							

Remarks
*This item is applicable to
[(A)=EZZZZ]or following machines.
Refer to Fig.15.

Fig.16. ELECTRONIC CONTROL UNIT (ECU)



(A)=4TNV98-ZSCK5
(B)=
(C)=

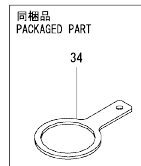
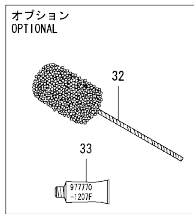
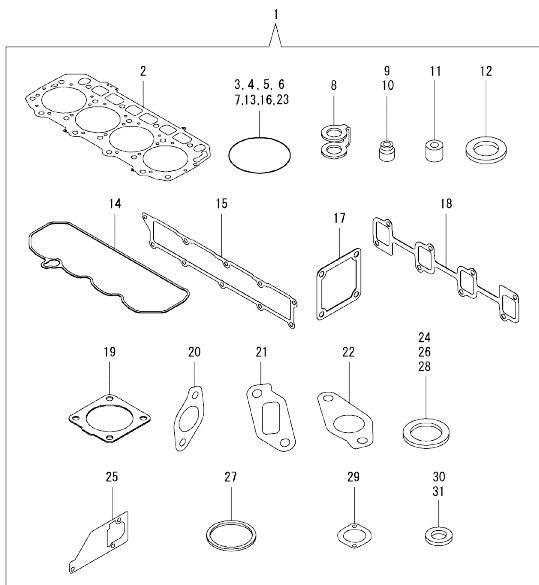
(D)=
(E)=
(F)=

No.	Lev.	Parts No.	Description	Q'ty						I	R
				(A)	(B)	(C)	(D)	(E)	(F)		
1	1	129921-75170	CONTROLLER ASSY, EUC	1							
2	2	129927-77600	SHIELD, ECU	1							
3	2	129927-77680	COLLAR, CONTROL	3							
4	2	119578-91351	ABSORBER	3							
5	2	22877-500080	SCREW, 5X 8	6							
6	1	129927-75900	ECU ASSY, SERVICE	1							2
7	2	129927-77600	SHIELD, ECU	1							
8	2	129927-77680	COLLAR, CONTROL	3							
9	2	119578-91351	ABSORBER	3							
10	2	22877-500080	SCREW, 5X 8	6							

Remarks

(1)ECO ECU
THIS PART CANNOT BE ORDERED.
REPLACE THE PART USING A SERVICE
ECU WITH THE PROPER ENGINE
INFORMATION INSTALLED.
(2)SERVICE ECU
IF THE PROPER INFORMATION IS NOT
INSTALLED, THE ENGINE WILL NOT
OPERATE.
TO INSTALL PROPER INFORMATION,
GO TO AN AUTHORIZED DISTRIBUTOR.

Fig.17. GASKET SET & TOOLS



Remarks
(1)OPTIONAL PART.

No.	Lev.	Parts No.	Description	Q'ty						I	R	
				(A)	(B)	(C)	(D)	(E)	(F)			
1	1	129921-92600	GASKET SET	1							1	
2	2	129907-01331	GASKET, HEAD	1								
3	2	129900-32030	O-RING, P20	2								
4	2	129900-32040	O-RING, P14	1								
5	2	24311-000070	O-RING, 1A P7.0	1								
6	2	24351-030750	O-RING, 1A3075	1								
7	2	24311-000320	O-RING, 1A P32.0	2								
8	2	123907-59550	GASKET	5								
9	2	119803-11340	SEAL, VALVE STEM	8								
10	2	124160-11340	SEAL, VALVE STEM	8								
11	2	119802-11870	PROTECTOR, NOZZLE	4								
12	2	119625-11880	SEAT, NOZZLE	4								
13	2	24311-000120	O-RING, 1A P12.0	8								
14	2	129933-11310	GASKET, BONNET	1								
15	2	129907-12110	GASKET, MANIFOLD	1								
16	2	129900-42140	O-RING, P36	2								
17	2	121850-77021	GASKET, AIR HEATER	1								
18	2	129900-13251	GASKET, EXH.MANIFOLD	1								
19	2	129930-13201	GASKET, SILENCER	1								
20	2	129927-13810	GASKET	1								
21	2	129927-13910	GASKET, EGR	1								
22	2	129927-13920	GASKET, EGR	1								
23	2	24316-240100	O-RING, 4DP10A	1								
24	2	22190-080002	WASHER, SEAL 6	7								
25	2	129900-42061	GASKET, WATER PUMP	1								
26	2	22190-220002	WASHER, SEAL 22	1								
27	2	121850-49550	GASKET, THERMOSTAT	1								
28	2	22190-120002	WASHER, SEAL 12	1								
29	2	129900-49560	GASKET	1								
30	2	23414-080000	GASKET, 8X1.0	1								
31	2	124465-44950	GASKET, 16	1								
32	1	129400-92450	HONE, FLEX	1								1
33	1	977770-1207F	GASKET LIQUID	1								1
34	1	119640-92750	TOOL, FILTER WRENCH	1								

Parts No. Index

Parts No.	Fig. No.	Ref. No.	Parts No.	Fig. No.	Ref. No.	Parts No.	Fig. No.	Ref. No.	Parts No.	Fig. No.	Ref. No.
105025-59750	14	7	119852-51650	11	71	129100-01580	3	1	129900-21600	8	14
114110-07760	14	22	119934-59910	11	129	129136-59110	14	10	129900-21640	8	9
114250-53080	13	2	120130-22301	8	21	129136-77251	15	8	129900-23001	8	23
114250-53120	13	6	121450-42450	10	29	129150-02450	7	4	129900-23200	8	26
114250-53130	13	7	121750-59890	14	12	129150-11230	4	38	129900-23601	8	27
114250-53140	13	8	121850-21130	8	10			42	129900-23611	8	30
114250-53210	13	12	121850-21290	8	4			19	129900-23911	8	29
119000-35140	9	3	121850-21920	8	5	129150-11750	4	39	129900-25100	7	10
119005-35151	9	4	121850-49550	10	34			43	129900-32001	2	4
119131-18320	6	3		17	27	129150-14200	7	1	129900-32030	2	16
119260-34810	9	1	121850-49800	10	23	129150-25920	7	13		9	5
119578-91351	16	4	121850-77021	5	8	129150-59120	13	42		17	3
		9		17	17	129150-59131	13	45	129900-32040	2	17
119593-11301	4	30	123472-59120	13	41	129150-77340	15	10		17	4
119620-11180	4	14	123501-79240	18	10	129242-55700	14	24	129900-35000	9	6
119620-49290	10	25	123900-25060	7	9	129242-55720	14	25	129900-42061	10	14
119620-77461	18	2	123907-03100	4	55	129242-55730	14	26		17	25
119620-77471	18	3	123907-03110	4	56	129242-55740	14	27	129900-42070	10	15
119620-77490	18	27	123907-03120	4	57	129242-55750	14	28	129900-42140	10	16
119620-77710	18	17	123907-03140	4	58	129242-55760	14	29		17	16
119620-79200	18	5	123907-11280	4	35	129242-55770	14	30	129900-42161	10	3
119620-79210	18	6	123907-11550	4	3	129263-13210	6	7	129900-42170	10	4
119620-79220	18	7	123907-11601	13	40	129263-49750	14	17	129900-49551	10	21
119620-79230	18	8	123907-11820	4	21	129263-77941	11	122	129900-49560	10	22
119620-79250	18	11	123907-11830	4	20	129400-92450	17	32		17	29
119620-79290	18	18	123907-39500	9	16	129418-18320	6	4	129900-77330	15	11
119620-79300	18	19	123907-59540	14	14	129457-59010	14	4		18	30
119620-79310	18	20	123907-59550	14	15	129612-52100	14	23	129902-21000	8	1
119620-79320	18	21		17	8	129612-77260	15	9	129906-01500	2	3
119620-79330	18	22	123907-59560	14	20		18	29	129906-51580	11	56
119620-79340	18	24	124160-01751	2	24	129612-77700	15	2	129907-01331	1	28
119620-79350	18	25		4	50	129612-77710	15	3		17	2
119625-11880	4	26	124160-11340	4	16	129612-77730	15	4	129907-03011	4	52
	17	12		17	10	129612-77750	15	6	129907-03061	4	53
119640-01640	3	8	124160-11360	4	66	129657-51590	11	58	129907-03070	4	54
119640-61400	4	61	124411-01780	3	5	129657-51600	11	59	129907-07900	4	1
119640-92750	17	34	124465-44950	10	30	129900-01200	1	27	129907-11100	4	11
119761-39450	9	13		17	31	129900-01250	1	4	129907-11110	4	12
119802-11870	4	25	124722-59050	14	18	129900-01740	2	26	129907-11120	4	13
	17	11	124766-59050	14	5	129900-01850	2	33	129907-11250	4	32
119802-13680	6	6			9	129900-01870	2	34	129907-11260	4	33
119802-51680	11	63	128401-77440	18	12	129900-02020	1	6	129907-11270	4	34
119802-51690	11	64	128401-77450	18	23	129900-02341	1	32	129907-11341	4	31
119803-11340	4	15	129004-55612	14	1	129900-02410	1	9	129907-11510	4	17
	17	9	129005-59830	9	18	129900-02931	1	24	129907-11650	4	36
119803-53400	13	13	129008-61301	12	19	129900-02941	1	35	129907-11660	4	40
119810-77340	15	12	129052-77380	18	9	129900-13251	6	5	129907-11800	4	24
	18	31	129052-79260	18	13		17	18	129907-11910	4	27
119852-51630	11	68	129052-79270	18	14	129900-14100	7	6	129907-11920	4	44
119852-51640	11	69	129100-01580	2	1	129900-21200	8	3	129907-11950	4	28

Parts No. Index

Parts No.	Fig. No.	Ref. No.
129907-12110	5	1
	17	15
129907-14400	7	2
129907-21660	8	8
129907-25900	7	16
129907-51560	11	53
129907-55801	14	2
129907-59140	14	13
129908-14581	7	3
129915-77051	5	9
129916-01630	3	2
129916-01800	2	32
129916-21460	8	38
129916-21570	8	11
129916-21610	8	7
129916-49740	10	11
129921-34800	9	25
129921-75170	16	1
129921-92600	17	1
129927-11320	4	51
129927-11700	4	4
129927-12100	5	3
129927-12150	5	2
129927-13800	6	9
129927-13810	6	10
	17	20
129927-13910	6	14
	17	21
129927-13920	6	15
	17	22
129927-22050	8	17
129927-22080	8	15
129927-39060	9	14
129927-44900	10	33
129927-51250	11	135
129927-51390	11	21
129927-51650	11	120
129927-51660	11	121
129927-51670	11	124
129927-53200	13	9
129927-59550	14	16
129927-59810	13	47
129927-59820	13	48
129927-59830	13	49
129927-59840	13	50
129927-75900	16	6
129927-77600	16	2
		7
129927-77680	16	3
		8

Parts No.	Fig. No.	Ref. No.
129927-77690	15	16
129927-77920	15	17
		18
129928-13900	6	13
129928-34850	9	2
129930-13201	6	18
	17	19
129930-42450	10	18
129930-77212	15	1
129930-77740	15	5
129930-77930	15	7
129931-21460	8	38 -1
129933-11310	4	60
	17	14
129938-49650	10	36
129938-49660	10	40
129939-07920	4	69
129939-13120	6	2
129939-13170	6	1
129939-42011	10	1
129953-01710	3	6
129953-25300	7	15
129957-59120	14	6
129960-21930	8	40
129960-21940	8	9 -1
129960-77250	18	28
129961-59110	14	11
129961-59310	14	8
129961-77200	18	1
129961-77421	18	4
144626-51090	11	9
158552-51571	11	54
158552-51580	11	57
158552-51670	11	125
158552-51781	11	96
158552-52100	11	127
158552-52311	11	102
158552-52400	11	103
158552-52500	11	128
158553-51670	11	62
158553-51680	11	74
158553-51930	11	100
	12	25
158553-61780	12	23
158557-51570	11	55
158557-61720	12	22
158560-51600	11	67
158560-61050	12	2
158563-51150	11	12
158563-51281	11	19

Parts No.	Fig. No.	Ref. No.
158563-51281	11	20
158563-51330	11	30
158600-51270	11	18
158601-51550	11	52
158601-51650	11	123
158601-51770	11	95
158601-51790	11	97
171051-01921	1	5
175339-79700	4	62
198461-52950	15	14
		15
22190-080002	9	19
		21
		23
	14	21
	17	24
22190-120000	12	24
22190-120002	10	35
	11	98
		105
	17	130
	17	28
22190-180002	11	99
22190-220002	3	9
	17	26
22217-050000	11	131
22217-180000	11	106
22252-000300	8	22
22312-050140	11	107
22351-050010	11	108
22351-060012	1	10
22512-070140	7	7
	8	6
22857-500100	4	63
		64
22877-500080	16	5
		10
23080-012000	10	37
		41
23414-080000	10	31
	17	30
23857-030000	9	20
23876-020000	4	8
23876-030000	1	11
		12
		13
	4	9
24311-000070	2	18
	11	109
	17	5

Parts No.	Fig. No.	Ref. No.
24311-000120	4	29
		67
	17	13
24311-000160	14	31
24311-000320	2	25
	4	68
	17	7
24316-240100	9	26
	17	23
24321-000750	14	32
24341-000480	12	26
24351-030750	2	19
	17	6
24356-010200	11	65
		110
24356-020210	11	111
24372-000150	11	66
25152-004500	10	20
26014-080252	15	13
	18	32
26106-060102	11	112
26106-060122	4	65
	11	132
26106-060162	12	27
26106-060352	11	113
26106-080102	10	19
26106-080122	3	10
	9	11
		22
		24
	10	32
26106-080162	2	20
		27
		36
	4	2
	7	8
	9	12
26106-080202	2	21
	11	136
26106-080222	8	39
26106-080252	10	24
	12	28
		29
	15	19
26106-080302	11	137
	14	3
26106-080352	5	7
26106-080402	2	28
		37
	4	46

Parts No. Index

Parts No.	Fig. No.	Ref. No.
26106-080452	2	22
	5	5
26106-080552	7	14
	10	17
26106-080602	4	47
		48
26106-080702	2	29
		35
26106-080802	5	6
26106-100302	6	11
		16
26106-100952	6	17
26116-060162	10	12
26206-100202	3	3
26206-100352	3	4
26216-060202	5	4
26216-100302	2	15
26226-080222	4	45
26306-080002	4	49
	6	8
		12
26306-100002	2	23
26366-060002	13	51
26450-100452	11	116
26577-060152	10	13
26716-050002	11	133
26776-180002	11	104
27241-160000	11	117
27241-300000	1	14
27241-400000	4	10
27310-070001	4	22
729900-02801	1	29
729907-01559	2	30
729927-01560	1	1
729927-22900	8	32
729927-22950	8	34
729927-53200	13	1
729938-51390	11	1
977770-1207F	17	33
X9490561001	18	26

Parts No.	Fig. No.	Ref. No.
-----------	----------	----------

Parts No.	Fig. No.	Ref. No.
-----------	----------	----------

Parts No.	Fig. No.	Ref. No.
-----------	----------	----------