

0CD50-M02211EN

# P R E F A C E

This parts catalog is the 2nd edition of 4TNV98-ZCWSHC for SUMITOMO CONSTRUCTION MACHINERY CO., LTD.

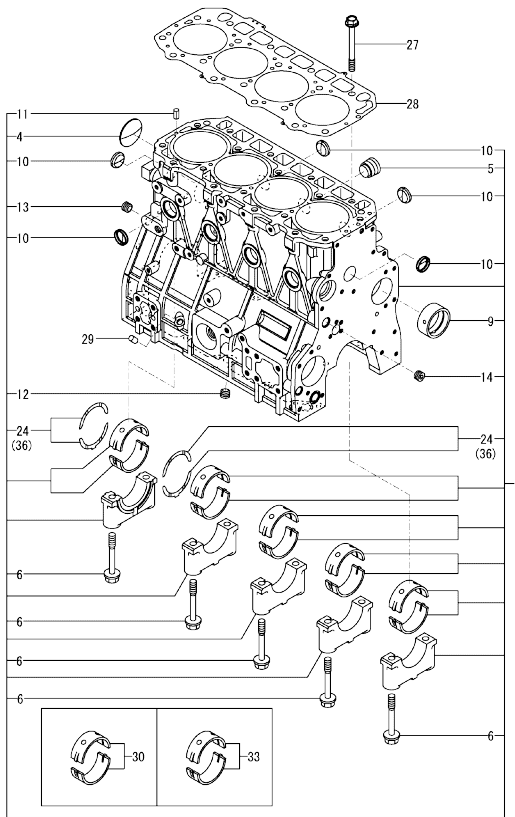
Published : April, 2021

## Contents

OCD50-M02211

Fig. No.	Fig. Name	Fig. No.	Fig. Name
ENGINE			
1.	CYLINDER BLOCK		
2.	GEAR HOUSING		
3.	FLYWHEEL HOUSING & OIL SUMP		
4.	CYLINDER HEAD & BONNET		
5.	SUCTION MANIFOLD		
6.	EXHAUST MANIFOLD		
7.	CAMSHAFT & DRIVING GEAR		
8.	CRANKSHAFT & PISTON		
9.	LUB. OIL SYSTEM		
10.	COOLING WATER SYSTEM		
11.	FUEL INJECTION PUMP		
12.	GOVERNOR		
13.	FUEL INJECTION VALVE		
14.	FUEL PIPE(TO MAY 2021)		
19.	(14A)FUEL PIPE(FROM MAY 2021)		
15.	STARTER MOTOR		
16.	GENERATOR		
17.	ELECTRONIC CONTROL UNIT(ECU)		
18.	GASKET SET		

Fig.1. CYLINDER BLOCK



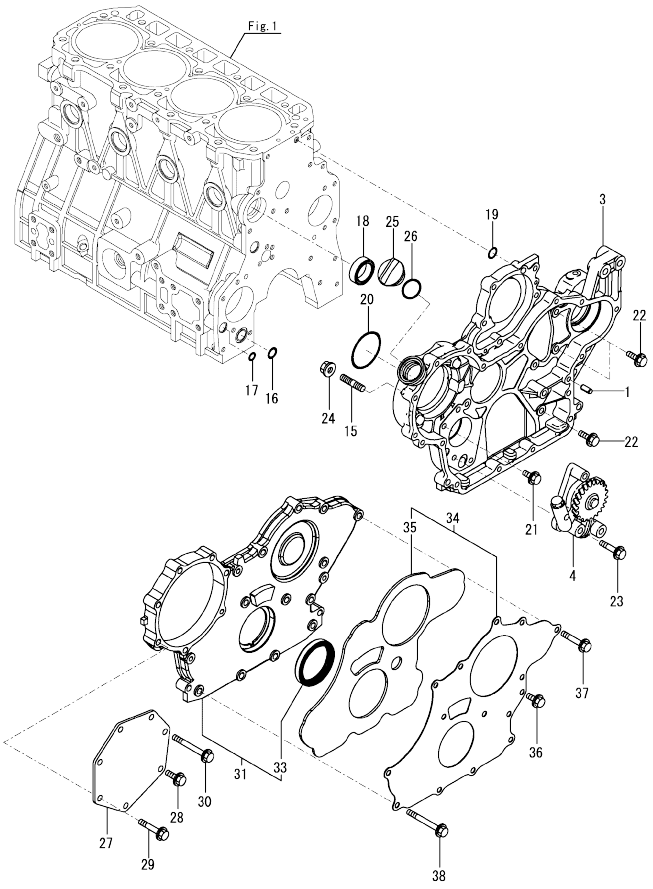
(A)=4TNV98-ZCWSHC  
(B)=  
(C)=

(D)=  
(E)=  
(F)=

No.	Lev.	Parts No.	Description	Q'ty						I	R
				(A)	(B)	(C)	(D)	(E)	(F)		
1	1	729927-01560	BLOCK ASSY, CYLINDER	1							
1-1	1	729923-01560 (A=E82294A)	BLOCK ASSY, CYLINDER	1							N
4	2	129900-01250	PLUG, 55	1							
5	2	171051-01921	PLUG, NPTF1	1							
6	2	129900-02020	BOLT, METAL CAP	10							
9	2	129900-02410	BUSH, CAMSHAFT	1							
10	2	27241-300000	PLUG(30)	8							
11	2	22351-060012	PIN, SPRING 6.0X12	2							
12	2	23876-030000	PLUG, R03	1							
13	2	23876-030000	PLUG, R03	1							
14	2	23876-030000	PLUG, R03	1							
24	2	129900-02931	METAL ASSY, THRUST	2							
24-1	2	129927-02930 (A=E14211A)	BEARING ASSY, THRUST	2							R
27	1	129900-01200	BOLT, CYLINDER HEAD	18							
28	1	129907-01331	GASKET, HEAD	1							
29	1	119309-01810	PLUG	1							
30	1	729900-02801	METAL ASSY, MAIN	5							1
30-1	1	729927-02800 (A=E14211A)	BEARING ASSY, MAIN	5							R 1
33	1	129900-02341	METAL ASSY, MAIN .25	5							2
33-1	1	129927-02340 (A=E14211A)	BEARING ASSY,MAIN US	5							R 2
36	1	129900-02941	METAL ASSY, 0.25 OS	2							3
36-1	1	129927-02940 (A=E14211A)	BEARING,THRUST0.25OS	2							R 3

Remarks  
(1)Spare parts.  
(2)Under-sized(U.S.=0.25) parts.  
(3)Over-sized(O.S.=0.25) parts.

Fig.2. GEAR HOUSING

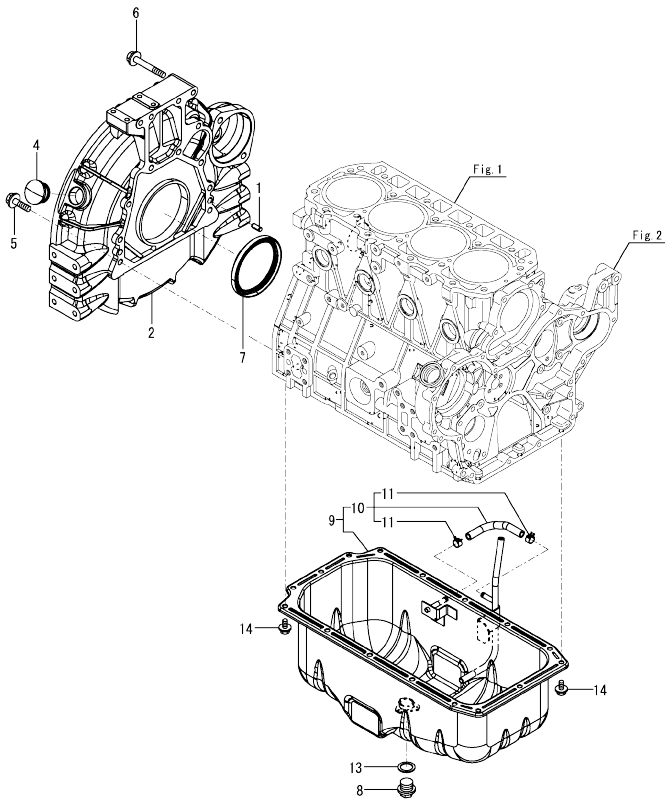


(A)=4TNV98-ZCWSHC  
(B)=  
(C)=

(D)=  
(E)=  
(F)=

No.	Lev.	Parts No.	Description	Q'ty						I	R
				(A)	(B)	(C)	(D)	(E)	(F)		
1	1	129100-01580	PIN, PARALLEL 8X16	4							
3	1	129944-01500	CASE, GEAR	1							
4	1	129900-32001	PUMP ASSY, OIL	1							
15	1	26216-100302	STUD, M10X 30	4							
16	1	129900-32030	O-RING, P20	1							
17	1	129900-32040	O-RING, P14	1							
18	1	129927-42140	GASKET, PUMP OUTLET	1							
19	1	24311-000070	O-RING, 1AP7.0	1							
20	1	24351-030750	O-RING, 1A3075	1							
21	1	26106-080162	BOLT, M8X 16 PLATED	1							
22	1	26106-080202	BOLT, M8X 20 PLATED	3							
23	1	26106-080452	BOLT, M8X 45 PLATED	3							
24	1	26306-100002	NUT, M10	4							
25	1	124160-01751	CAP, FILLER	1							
26	1	24311-000320	O-RING, 1AP32.0	1							
27	1	129951-01740	COVER, PUMP TIMING	1							
28	1	26106-080202	BOLT, M8X 20 PLATED	1							
29	1	26106-080452	BOLT, M8X 45 PLATED	5							
30	1	26106-080752	BOLT, M8X 75 PLATED	1							
31	1	729907-01559	COVER ASSY, CASE	1							
33	2	129916-01800	SEAL, OIL	1							
34	1	129900-01850	COVER ASSY, CASE	1							
35	2	129900-01870	SPONGE, COVER	1							
36	1	26106-080162	BOLT, M8X 16 PLATED	3							
37	1	26106-080402	BOLT, M8X 40 PLATED	5							
38	1	26106-080702	BOLT, M8X 70 PLATED	6							

Fig.3. FLYWHEEL HOUSING & OIL SUMP

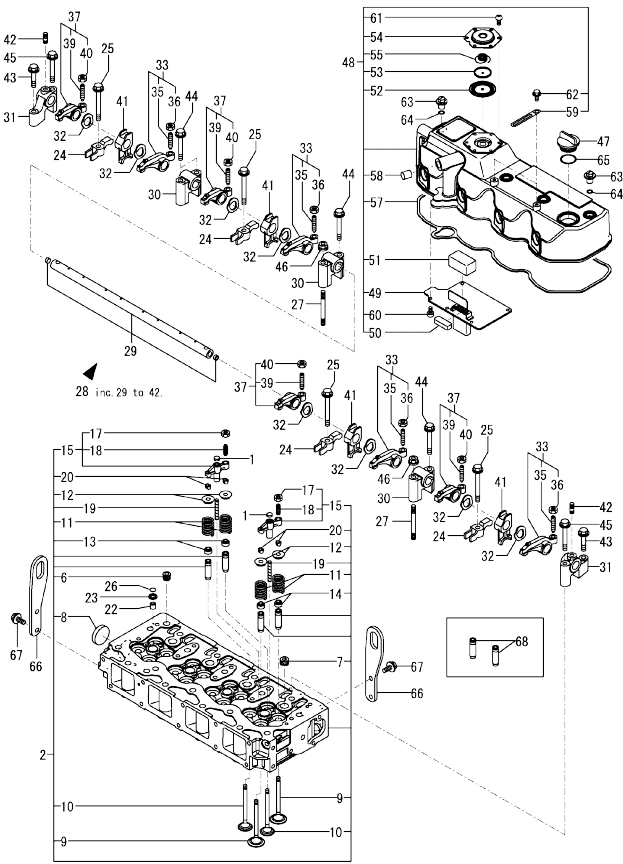


(A)=4TNV98-ZCWSHC  
(B)=  
(C)=

(D)=  
(E)=  
(F)=

No.	Lev.	Parts No.	Description	Q'ty						I	R
				(A)	(B)	(C)	(D)	(E)	(F)		
1	1	129100-01580	PIN, PARALLEL 8X16	2							
2	1	129900-01620	HOUSING, FLYWHEEL	1							
4	1	119620-01750	CAP, WHEEL COVER	1							
5	1	26206-100352	BOLT, M10X 35 PLATED	9							
6	1	26206-100702	BOLT, M10X 70 PLATED	4							
7	1	129916-01790	SEAL, D115/95XT11	1							
8	1	119640-01640	PLUG, DRAIN M22	1							
9	1	129E20-01700	OIL PAN ASSY	1							
10	2	129E20-59500	HOSE ASSY	1							
11	3	124766-59050	CLAMP, HOSE 11.5	1							
13	1	22190-220002	WASHER, SEAL 22	1							
14	1	26106-080122	BOLT, M8X 12 PLATED	16							

Fig.4. CYLINDER HEAD & BONNET



(A)=4TNV98-ZCWSHC  
(B)=  
(C)=

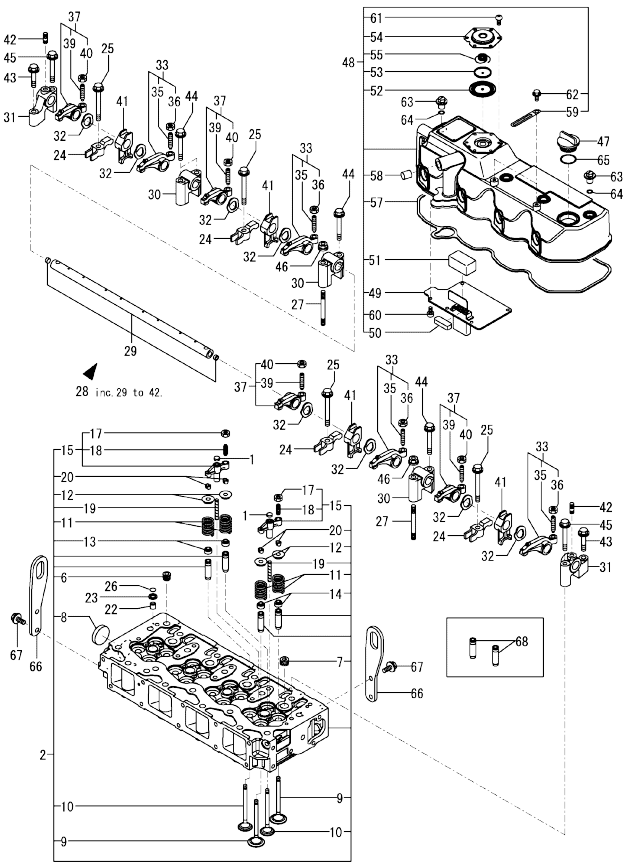
(D)=  
(E)=  
(F)=

No.	Lev.	Parts No.	Description	(A)	(B)	(C)	Q'ty	(D)	(E)	(F)	I	R
1	1	123907-11550	SEAT, VALVE BRIDGE				8					
2	1	129927-11700	HEAD ASSY, CYLINDER				1					
6	2	23876-020000	PLUG, R02				1					
7	2	23876-030000	PLUG, R03				4					
8	2	27241-400000	PLUG, 40				1					
9	2	129907-11100	VALVE, INTAKE				8					
10	2	129907-11110	VALVE, EXHAUST				8					
11	2	129907-11120	SPRING, VALVE				16					
12	2	119620-11180	RETAINER, SPRING				16					
13	2	119803-11340	SEAL, VALVE STEM				8					
14	2	124160-11340	SEAL, VALVE STEM				8					
15	2	129907-11510	BRIDGE ASSY, VALVE				8					
17	3	129150-11750	NUT, M8XP1.0				8					
18	3	123907-11830	ADJUSTER, BRIDGE				8					
19	2	123907-11820	GUIDE, BRIDGE				8					
20	2	27310-070001	COTTER, 7				16					
22	1	119802-11870	PROTECTOR, NOZZLE				4					
23	1	119625-11880	SEAT, NOZZLE				4					
24	1	129907-11910	RETAINER, NOZZLE				4					
24-1	1	129907-11960	RETAINER, NOZZLE				4					R
(A=E27116A)												
25	1	129907-11950	BOLT, VALVE HOLDER				4					
26	1	24311-000120	O-RING, 1AP12.0				4					
27	1	119593-11301	STUD, M8X80				2					
28	1	129907-11341	SUPPORT ASSY, ROCKER				1					
29	2	129907-11250	SHAFT, ROCKER ARM				1					
30	2	129907-11260	SUPPORT, ROCKER A				3					
31	2	129907-11270	SUPPORT, ROCKER B				2					
32	2	123907-11280	WASHER, WAVE				8					
33	2	129907-11650	ARM ASSY, ROCKER INT				4					
35	3	129150-11230	SCREW, VALVE ADJUST				4					
36	3	129150-11750	NUT, M8XP1.0				4					
37	2	129907-11660	ARM ASSY, ROCKER EXH				4					
39	3	129150-11230	SCREW, VALVE ADJUST				4					
40	3	129150-11750	NUT, M8XP1.0				4					
41	2	129907-11920	RETAINER, NOZZLE				4					
42	2	26226-080222	STUD, M8X 22				2					
43	1	26106-080402	BOLT, M8X 40 PLATED				2					
44	1	26106-080602	BOLT, M8X 60 PLATED				4					
45	1	26106-080602	BOLT, M8X 60 PLATED				2					
46	1	26306-080002	NUT, M8				2					
47	1	124160-01751	CAP, FILLER				1					
48	1	129927-11320	BONNET ASSY, HEAD				1					
49	2	129907-03011	PLATE, BAFFLE				1					
50	2	129907-03061	BAFFLE, BREATHER				1					
51	2	129907-03070	BAFFLE, BREATHER				1					
52	2	123907-03100	DIAPHRAGM, BREATHER				1					
53	2	123907-03110	PLATE, CENTER				1					
54	2	123907-03120	PLATE, BREATHER				1					
55	2	123907-03140	SPRING, DIAPHRAGM				1					
57	2	129933-11310	GASKET, BONNET				1					

Remarks

(1) Spare parts.

Fig.4. CYLINDER HEAD & BONNET



(A)=4TNV98-ZCWSHC  
(B)=  
(C)=

(D)=  
(E)=  
(F)=

No.	Lev.	Parts No.	Description	Q'ty						I	R
				(A)	(B)	(C)	(D)	(E)	(F)		
58	2	119640-61400	PLUG	1							
59	2	175339-79700	CLIP	2							
60	2	22857-500100	SCREW, 5X10	6							
61	2	22857-500100	SCREW, 5X10	6							
62	2	26106-060122	BOLT, M6X 12 PLATED	2							
63	1	124160-11360	KNOB, BONNET	4							
64	1	24311-000120	O-RING, 1AP12.0	4							
65	1	24311-000320	O-RING, 1AP32.0	1							
66	1	129907-07900	LIFTER, ENGINE	2							
67	1	26106-080162	BOLT, M8X 16 PLATED	4							
68	1	129907-11800	GUIDE, VALVE	16							1

Remarks

(1)Spare parts.



Fig.5. SUCTION MANIFOLD

(A)=4TNV98-ZCWSHC  
(B)=  
(C)=

(D)=  
(E)=  
(F)=

No.	Lev.	Parts No.	Description	Q'ty					
				(A)	(B)	(C)	(D)	(E)	(F)
1	1	129907-12110	GASKET, MANIFOLD	1					
2	1	129927-12150	MANIFOLD ASSY,INTAKE	1					
4	2	26216-060202	STUD, M6X 20	2					
5	1	26106-080452	BOLT, M8X 45 PLATED	6					
6	1	26106-080802	BOLT, M8X 80 PLATED	4					
7	1	119129-77020	GASKET, AIR HEATER	1					
8	1	121850-77021	GASKET, AIR HEATER	1					
9	1	119129-77500	HEATER, AIR	1					
10	1	119129-77520	BEND, INLET	1					
11	1	26106-080402	BOLT, M8X 40 PLATED	2					
12	1	26106-080902	BOLT, M8X 90 PLATED	2					

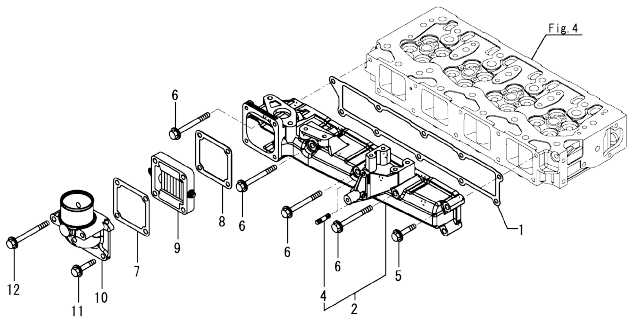
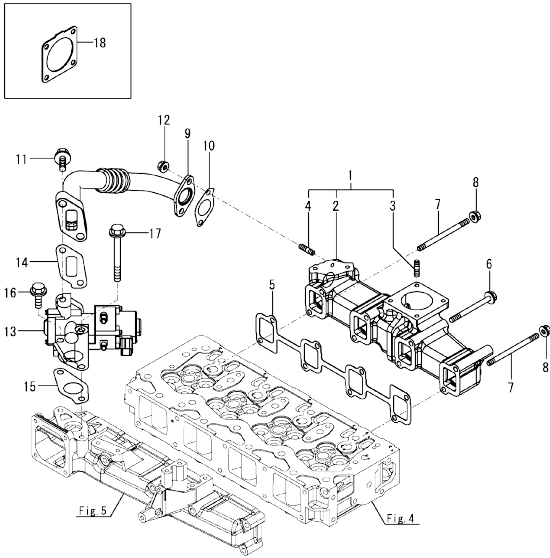


Fig.6. EXHAUST MANIFOLD



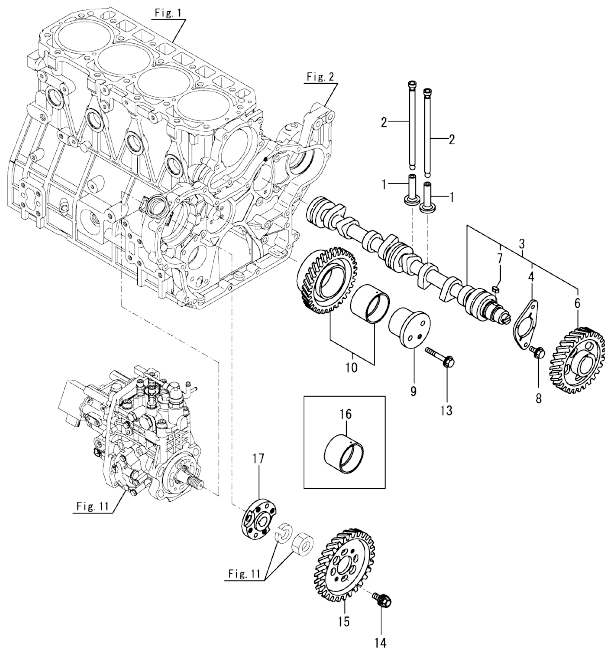
(A)=4TNV98-ZCWSHC  
(B)=  
(C)=

(D)=  
(E)=  
(F)=

No.	Lev.	Parts No.	Description	Q'ty						I	R
				(A)	(B)	(C)	(D)	(E)	(F)		
1	1	129927-13150	MANIFOLD ASSY	1							
2	2	129927-13101	MANIFOLD, EXHAUST	1							
3	2	119131-18320	STUD, M8X22	4							
4	2	129418-18320	STUD, M8X20	2							
5	1	129900-13251	GASKET, MANIFOLD	1							
6	1	129E00-13650	BOLT, M8X90 10.9T	6							
7	1	129693-44300	BOLT, COOLER	2							
8	1	26306-080002	NUT, M8	2							
9	1	129927-13800	PIPE ASSY, EGR	1							
10	1	129927-13810	GASKET, EGR PIPE	1							
11	1	26106-100302	BOLT, M10X 30 PLATED	2							
12	1	26306-080002	NUT, M8	2							
13	1	129928-13900	VALVE, EGR	1							
14	1	129927-13910	GASKET, EGR	1							
15	1	129927-13920	GASKET, EGR	1							
16	1	26106-100302	BOLT, M10X 30 PLATED	1							
17	1	26106-100952	BOLT, M10X 95 PLATED	1							
18	1	129930-13201	GASKET, SILENCER	1							1

Remarks  
(1) Loose parts.

Fig.7. CAMSHAFT & DRIVING GEAR



(A)=4TNV98-ZCWSHC  
(B)=  
(C)=

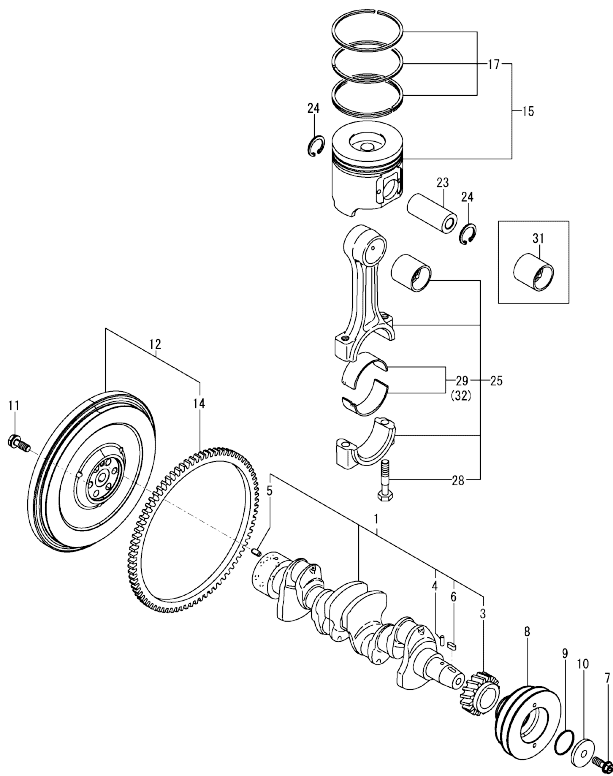
(D)=  
(E)=  
(F)=

No.	Lev.	Parts No.	Description	Q'ty						I	R
				(A)	(B)	(C)	(D)	(E)	(F)		
1	1	129150-14200	TAPPET	8							
2	1	129907-14400	ROD, PUSH	8							
3	1	129908-14581	CAMSHAFT ASSY	1							
3-1	1	129932-14580	CAMSHAFT ASSY	1							N
		(A=E17851A)									
4	2	129150-02450	METAL, THRUST	1							
6	2	129900-14100	GEAR, CAMSHAFT	1							
7	2	22512-070140	KEY, 7X 14	1							
8	1	26106-080142	BOLT, M8X 14 PLATED	2							
9	1	123900-25060	SHAFT, IDLE GEAR	1							
10	1	129900-25100	GEAR ASSY, IDLE	1							
10-1	1	129927-25100	GEAR ASSY, IDLE	1							R
		(A=E16725A)									
13	1	26106-080552	BOLT, M8X 55 PLATED	3							
14	1	129953-25300	BOLT, PUMP BODY	4							
15	1	129907-25900	GEAR, PUMP	1							
16	1	129150-25920	BUSH, IDLE GEAR	1							1
16-1	1	129927-25920	BUSH, IDLE GEAR	1							R 1
		(A=E16725A)									
17	1	158563-51150	FLANGE	1							

Remarks

(1)Spare parts.

Fig.8. CRANKSHAFT & PISTON



(A)=4TNV98-ZCWSHC  
(B)=  
(C)=

(D)=  
(E)=  
(F)=

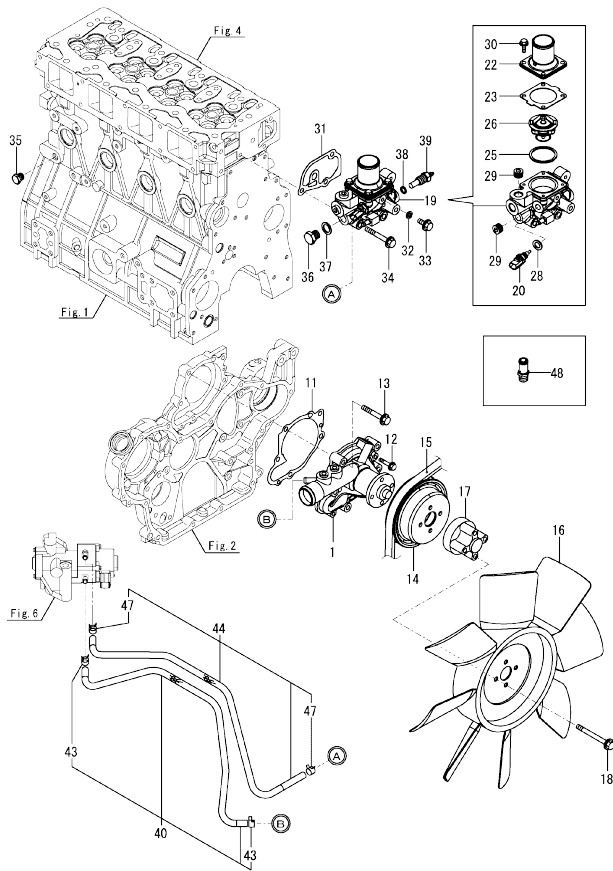
No.	Lev.	Parts No.	Description	Q'ty						I	R
				(A)	(B)	(C)	(D)	(E)	(F)		
1	1	129902-21000	CRANKSHAFT ASSY	1							
3	2	129900-21200	GEAR, CRANKSHAFT	1							
4	2	121850-21290	PIN, CRANK GEAR	1							
5	2	121850-21920	PIN, PARALLEL 10X22	1							
6	2	22512-070140	KEY, 7X 14	1							
7	1	129916-21610	BOLT, V-PULLEY	1							
8	1	129950-21670	V-PULLEY, CRANKSHAFT	1							
9	1	129960-21930	GASKET, WASHER	1							
9-1	1	129960-21950	PACKING, WASHER	1							N
(A=E51163A)											
10	1	129960-21940	WASHER, V-PULLEY	1							
11	1	121850-21130	BOLT, FLYWHEEL	6							
12	1	129929-21320	FLYWHEEL ASSY	1							
14	2	129900-21600	GEAR, RING	1							
15	1	129927-22080	PISTON ASSY	4							
15-1	1	129926-22080	PISTON ASSY	4							N
(A=E82294A)											
17	2	129927-22050	RING SET, PISTON	4							
17-1	2	129E00-22050	RING SET, PISTON	4							N
(A=E82294A)											
23	1	120130-22301	PIN, PISTON	4							
24	1	22252-000300	RING, 30	8							
25	1	129900-23001	ROD ASSY, CONNECTING	4							
28	2	129900-23200	BOLT, CONNECTING ROD	8							
29	2	129900-23601	METAL ASSY, CRANK PIN	4							
29-1	2	129927-23600	BEARING ASSY, PIN	4							R
(A=E13301A)											
31	1	129900-23911	METAL, PISTON PIN	4							1
32	1	129900-23611	METAL ASSY, PIN .25	4							2
32-1	1	129927-23610	BEARING ASSY, PIN US	4							R 2
(A=E13301A)											

Remarks

- (1) Spare parts.
- (2) Under-sized (U.S.=0.25) parts.



Fig.10. COOLING WATER SYSTEM

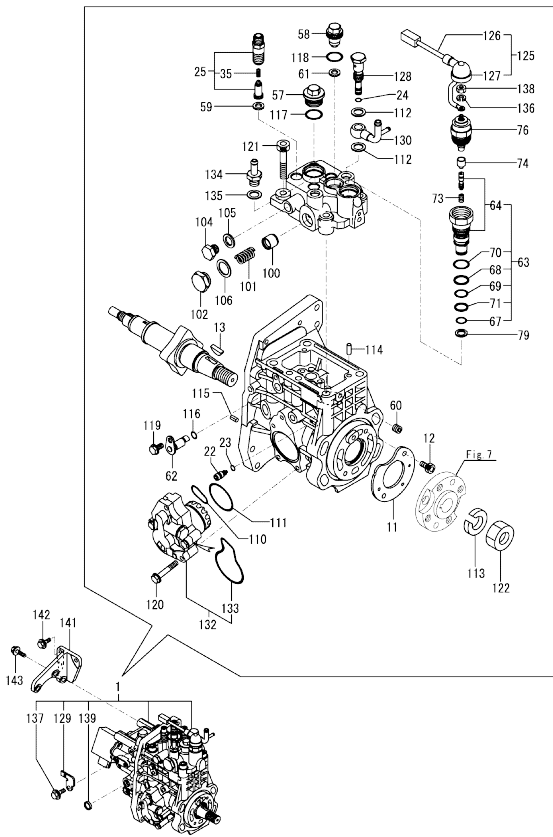


No.	Lev.	Parts No.	Description	Q'ty						I	R
				(A)	(B)	(C)	(D)	(E)	(F)		
1	1	129927-42001	PUMP ASSY, WATER	1							
1-1	1	129927-42002 (A=E34903A)	PUMP ASSY, CW	1							N
11	1	129900-42020	GASKET, WATER PUMP	1							
12	1	26106-060302	BOLT, M6X 30 PLATED	2							
13	1	26106-080552	BOLT, M8X 55 PLATED	5							
14	1	129944-42400	V-PULLEY, PUMP	1							
15	1	25153-004500	V-BELT, B45	1							
16	1	129953-44710	FAN, COOLING D=460	1							
17	1	129973-44760	SPACER, FAN 50MM	1							
18	1	26106-080652	BOLT, M8X 65 PLATED	4							
19	1	129938-49800	CASE ASSY, THERMOSTAT	1							
20	2	129927-44900	SENSOR, TEMPERATURE	1							
22	2	129916-49530	COVER, THERMOSTAT	1							
23	2	121850-49540	GASKET, THERMOSTAT	1							
25	2	121850-49550	GASKET, THERMOSTAT	1							
26	2	121850-49801	THERMOSTAT, 82C	1							
28	2	22190-120002	WASHER, SEAL 12	1							
29	2	23875-030000	PLUG, R03	2							
30	2	26106-060202	BOLT, M6X 20 PLATED	4							
31	1	129900-49870	GASKET, THERMOSTAT	1							
32	1	23414-080000	GASKET, 8X1.0	1							
33	1	26106-080122	BOLT, M8X 12 PLATED	1							
34	1	26106-080602	BOLT, M8X 60 PLATED	3							
35	1	171056-49120	PLUG, DRAIN R1/4	1							
36	1	121450-42450	PLUG, M16	1							
37	1	124465-44950	GASKET, 16	1							
38	1	129150-49360	GASKET, 10	1							
39	1	119266-49350	SENSOR, WATER TEMP.	1							
40	1	129927-49610	HOSE ASSY, WATER A	1							
43	2	23080-012000	CLAMP, 12	2							
44	1	129927-49620	HOSE ASSY, WATER B	1							
47	2	23080-012000	CLAMP, 12	2							
48	1	128990-49320	JOINT, 3/8	2							1

Remarks

(1) Loose parts.

Fig.11. FUEL INJECTION PUMP



(A)=4TNV98-ZCWSHC  
(B)=  
(C)=

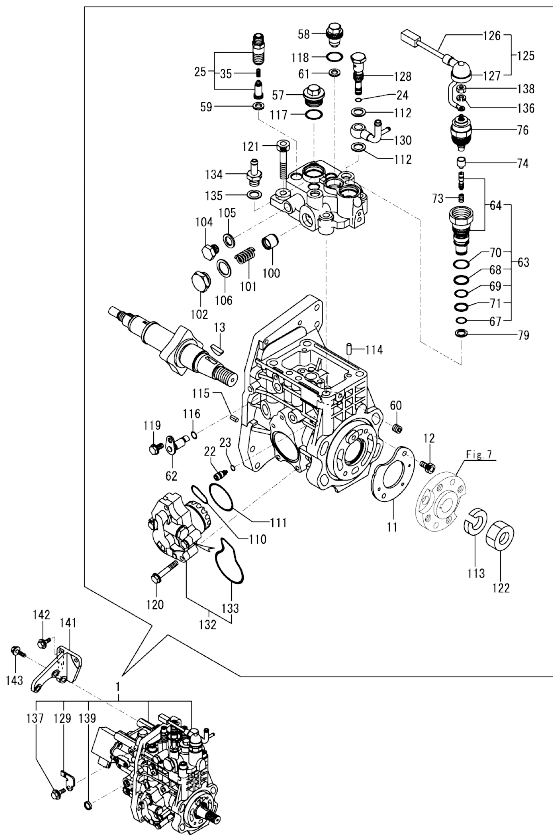
(D)=  
(E)=  
(F)=

No.	Lev.	Parts No.	Description	Q'ty						I	R
				(A)	(B)	(C)	(D)	(E)	(F)		
1	1	729923-51350	FIE ASSY	1							1
11	2	129928-51900	COVER, OIL	1							
12	2	129008-51920	BOLT, M6X10	2							
13	2	144626-51090	KEY, FEATHER 5X19	1							
22	2	158600-51270	STOPPER, TAPPET	1							
23	2	158563-51281	O-RING, 4D S6	1							
24	2	158563-51281	O-RING, 4D S6	1							
25	2	129927-51390	VALVE ASSY, DELIVERY	4							
35	3	158563-51330	SPRING, DELIVERY	4							
57	2	158601-51550	PLUG, M22	1							
58	2	129907-51560	PLUG, M16	1							
59	2	158552-51571	GASKET, BARREL PLUG	4							
60	2	158557-51570	PLUG, RACK	1							
61	2	129906-51580	GASKET, BARREL PLUG	1							
62	2	158552-51580	LIFTER, LINK	1							
63	2	129657-51590	TIMER ASSY	1							
64	3	129657-51600	TIMER ASSY	1							
67	3	158553-51670	O-RING, PUMP TIMER	1							
68	3	119802-51680	RING, BACKUP	1							
69	3	119802-51690	O-RING, 1016	1							
70	3	24356-190200	O-RING, 4D19020	1							
71	3	24372-000150	RING, BACK UP T2P15	1							
73	2	119852-51630	SPRING, TIMER	1							
74	2	119852-51640	CAP, TIMER	1							
76	2	119852-51650	VALVE ASSY, SOLENOID	1							
79	2	158553-51680	GASKET, TIMER	1							
100	2	158601-51770	PISTON, ACCUMULATOR	1							
101	2	158552-51781	SPRING, ACCUMULATOR	1							
102	2	158601-51790	PLUG, ACCUMULATOR	1							
104	2	158553-51930	PLUG, M12	1							
105	2	22190-120002	WASHER, SEAL 12	1							
106	2	22190-180002	WASHER, SEAL 18	1							
110	2	158552-52311	O-RING, FEED PUMP	1							
111	2	158552-52400	O-RING, 4E S42	1							
112	2	22190-120002	WASHER, SEAL 12	2							
113	2	22217-180000	WASHER, SPRING 18	1							
114	2	22312-050140	PIN, PARALLEL 5X14	2							
115	2	22351-050010	PIN, SPRING 5.0X10	2							
116	2	24311-000070	O-RING, 1AP7.0	1							
117	2	24356-190200	O-RING, 4D19020	1							
118	2	24356-240210	O-RING, 4D24021	1							
119	2	26106-060102	BOLT, M6X 10 PLATED	1							
120	2	26106-060352	BOLT, M6X 35 PLATED	4							
121	2	26450-100452	BOLT, M10X 45	4							
122	2	26776-180002	NUT, LOCK M18	1							
125	2	129927-51650	HARNES ASSY, WIRE	1							
126	3	129927-51660	HARNES	1							
127	3	129263-77941	CAP, RUBBER	1							
128	2	158601-51650	JOINT, OVERFLOW	1							
129	2	129927-51670	BRACKET	1							
130	2	158552-51670	JOINT, OVERFLOW	1							

Remarks

- (1)Governor(Fig.12) is incorporated in this Fuel Injection Pump(No.1).
- (1)Eco pump
- Make sure to update the engines ECU information when replacing the Eco pump.
- Failing to do so will result in engine malfunction.

Fig.11. FUEL INJECTION PUMP



(A)=4TNV98-ZCWSHC  
(B)=  
(C)=

(D)=  
(E)=  
(F)=

No.	Lev.	Parts No.	Description	Q'ty					
				(A)	(B)	(C)	(D)	(E)	(F)
132	2	158552-52100	PUMP ASSY, FUEL FEED	1					
133	3	158552-52500	O-RING, PUMP INNER	1					
134	2	119934-59910	JOINT, PIPE	1					
135	2	22190-120002	WASHER, SEAL 12	1					
136	2	22217-050000	WASHER, SPRING 5	1					
137	2	26106-060122	BOLT, M6X 12 PLATED	1					
138	2	26716-050002	NUT, M5	1					
139	2	27241-160000	PLUG, 16	1					
141	1	129927-51250	RETAINER, FUEL PUMP	1					
142	1	26106-080202	BOLT, M8X 20 PLATED	3					
143	1	26106-080302	BOLT, M8X 30 PLATED	3					

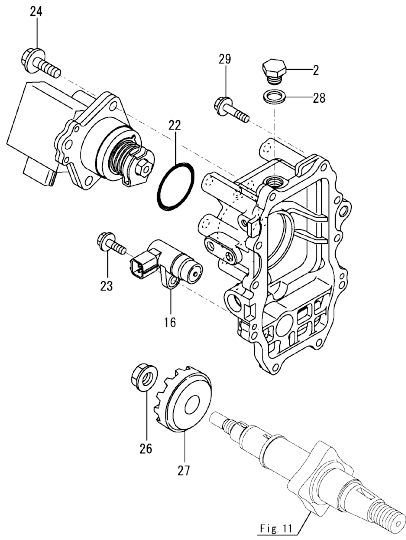
Remarks

(1)Governor(Fig.12) is incorporated in this Fuel Injection Pump(No.1).  
(1)Eco pump  
Make sure to update the engines ECU information when replacing the Eco pump.  
Failing to do so will result in engine malfunction.



OCD50-M02211 ENGINE  
 Fig.12. GOVERNOR

OCD50-M02211 Fig.12



(A)=4TNV98-ZCWSHC  
 (B)=  
 (C)=

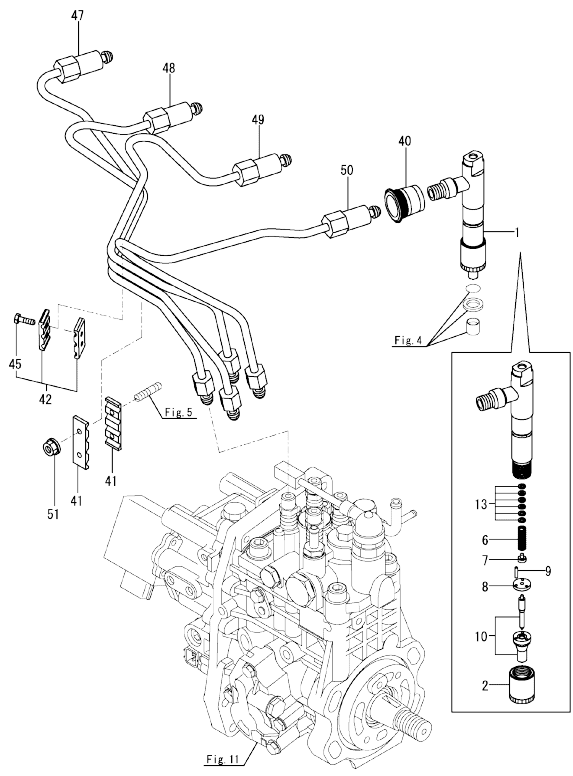
(D)=  
 (E)=  
 (F)=

No.	Lev.	Parts No.	Description	Q'ty						I	R
				(A)	(B)	(C)	(D)	(E)	(F)		
2	2	158553-51930	PLUG, M12	1							
16	2	158557-61720	SENSOR, ROTATION	1							
22	2	24341-000480	O-RING, 1AS48.0	1							
23	2	26106-060162	BOLT, M6X 16 PLATED	1							
24	2	26106-080252	BOLT, M8X 25 PLATED	3							
26	2	129008-61301	NUT, SUPPORT	1							
27	2	158553-61780	GEAR, SENSOR	1							
28	2	22190-120002	WASHER, SEAL 12	1							
29	2	26106-060252	BOLT, M6X 25 PLATED	10							

Remarks  
 \* This figure(Governor) is incorporated in the Fuel Injection Pump(Fig.11).

N:Old  $\frac{100}{100}$  New, Q:Old  $\frac{100}{100}$  New, R:Old  $\frac{100}{100}$  New, S:Old  $\frac{100}{100}$  New, W:Add, Z:Discontinued, F:Interchangeable by set, K:Q'ty Change  
 Copyright (C) 2021 YANMAR GLOBAL CS CO., LTD. All Rights Reserved.

Fig.13. FUEL INJECTION VALVE



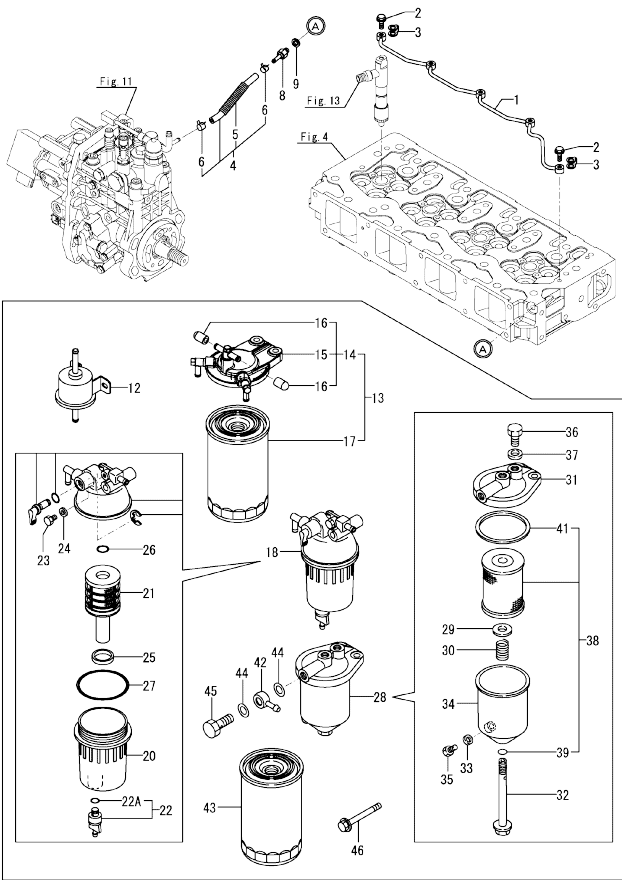
(A)=4TNV98-ZCWSHC  
(B)=  
(C)=

(D)=  
(E)=  
(F)=

No.	Lev.	Parts No.	Description	Q'ty						I	R
				(A)	(B)	(C)	(D)	(E)	(F)		
1	1	729927-53300	VALVE ASSY,INJECTION	4							
2	2	114250-53080	NUT, NOZZLE	4							
6	2	114250-53120	SPRING, NOZZLE	4							
7	2	114250-53130	SEAT, SPRING	4							
8	2	114250-53140	SPACER, VALVE STOP	4							
9	2	114250-53210	PIN, POSITIONING	8							
10	2	129927-53300	VALVE ASSY,INJECTION	4							
13	2	119803-53400	SHIM SET	4							1
40	1	123907-11601	SEAL, PIPE	4							
41	1	123472-59120	RETAINER, PIPE	2							
42	1	129150-59120	RETAINER, PIPE	1							
45	2	129150-59131	BOLT, M4X14	2							
47	1	129927-59810	PIPE ASSY, INJECTION	1							
48	1	129927-59820	PIPE ASSY, INJECTION	1							
49	1	129927-59830	PIPE ASSY, INJECTION	1							
50	1	129927-59840	PIPE ASSY, INJECTION	1							
51	1	26366-060002	NUT, M6	2							

Remarks  
(1)Spare parts.

Fig.14. FUEL PIPE(TO MAY 2021)



(A)=4TNV98-ZCWSHC  
(B)=  
(C)=

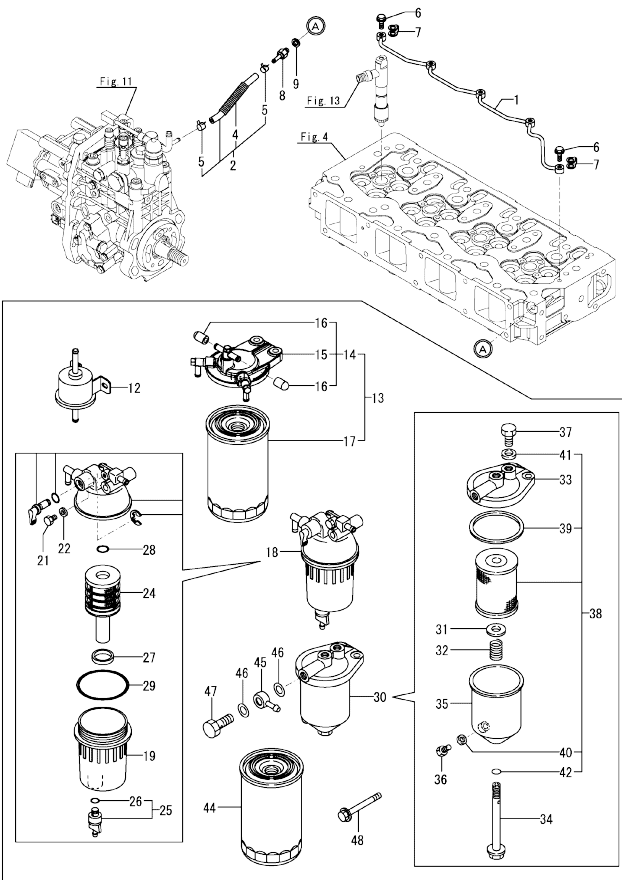
(D)=  
(E)=  
(F)=

No.	Lev.	Parts No.	Description	Qty						I	R
				(A)	(B)	(C)	(D)	(E)	(F)		
1	1	129907-59140	PIPE ASSY, RETURN	1							
2	1	123907-59540	BOLT, PIPE JOINT M6	5							
3	1	123907-59550	GASKET, FUEL RETURN	5							
4	1	129927-59550	HOSE ASSY, RETURN	1							
5	2	129263-49750	TUBE, CORRUGATED	1							
6	2	124722-59050	CLAMP, HOSE 9	2							
8	1	123907-59560	JOINT, HOSE	1							
9	1	22190-080002	WASHER, SEAL 8	1							
12	1	129907-52100	PUMP, FUEL FEED	1							1
13	1	129923-55600	FILTER ASSY, FO	1							1
14	2	129973-55610	BRACKET ASSY, FILTER	1							1
15	3	119934-55611	BRACKET, FILTER	1							1
16	3	129461-59580	CAP, FUEL	2							1
17	2	129907-55801	FILTER, FUEL	1							1
18	1	129055-55701	SEPARATOR ASSY	1							1
20	2	129938-55720	CUP, SEPARATOR	1							1
21	2	129242-55730	ELEMENT, FUEL FILTER	1							1
22	2	129242-55740	PLUG, DRAIN	1							1
22A	3	129917-55840	O-RING, DRAIN PLUG	1							1
23	2	129242-55750	VALVE, AIR VENT	1							1
24	2	129242-55760	GASKET, PLUG	1							1
25	2	129242-55770	FLOAT	1							1
26	2	24311-000160	O-RING, 1AP16.0	1							1
27	2	24321-000750	O-RING, 1AG75.0	1							1
28	1	129923-55750	SEPARATOR ASSY, WATER	1							1
29	2	123325-35160	SEAT, SPRING	1							1
30	2	129065-55170	SPRING, FILTER	1							1
31	2	129495-55610	BODY, STRAINER	1							1
32	2	129495-55620	BOLT, CENTER	1							1
33	2	123672-55760	GASKET	1							1
34	2	129923-55760	CASE, SEPARATOR	1							1
35	2	129065-55770	PLUG, DRAIN M8	1							1
36	2	129065-55800	PLUG, M14	1							1
37	2	123678-55890	GASKET, PLUG	1							1
38	2	41650-502320	ELEMENT ASSY, FUEL	1							1
39	3	24311-000120	O-RING, 1AP12.0	1							1
41	3	123325-35140	GASKET, COVER	1							1
42	1	121750-59910	JOINT, BALL 14	2							1
43	1	129907-55801	FILTER, FUEL	1							1
44	1	22190-140002	WASHER, SEAL 14	4							1
45	1	23857-080000	BOLT, JOINT 8	2							1
46	1	26106-080752	BOLT, M8X 75 PLATED	1							1

Remarks

(1)Loose parts.

Fig.19. (14A)FUEL PIPE(FROM MAY 2021)



(A)=4TNV98-ZCWSHC  
(B)=  
(C)=

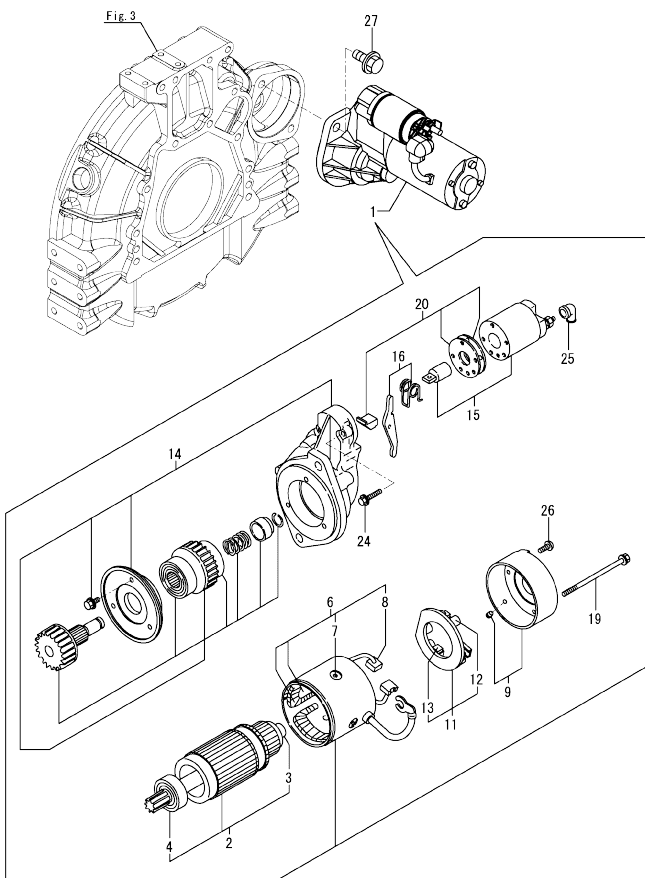
(D)=  
(E)=  
(F)=

No.	Lev.	Parts No.	Description	Qty						I	R
				(A)	(B)	(C)	(D)	(E)	(F)		
1	1	129907-59140	PIPE ASSY, RETURN	1							
2	1	129946-59300	PIPE ASSY, FUEL	1							
4	2	119546-59710	PROTECTOR,PIPE 13.2	1							
5	2	124060-77680	CLAMP, HOSE 10	2							
6	1	123907-59540	BOLT, PIPE JOINT M6	5							
7	1	123907-59550	GASKET, FUEL RETURN	5							
8	1	123907-59560	JOINT, HOSE	1							
9	1	22190-080002	WASHER, SEAL 8	1							
12	1	129907-52100	PUMP, FUEL FEED	1							1
13	1	129923-55600	FILTER ASSY, FO	1							1
14	2	129973-55610	BRACKET ASSY, FILTER	1							1
15	3	119934-55611	BRACKET, FILTER	1							1
16	3	129461-59580	CAP, FUEL	2							1
17	2	129907-55801	FILTER, FUEL	1							1
18	1	129055-55720	SEPARATOR ASSY,WATER	1							1
19	2	129242-55720	CUP, SEPARATOR	1							1
21	2	129242-55750	VALVE, AIR VENT	1							1
22	2	129242-55760	GASKET, PLUG	1							1
24	2	129242-55730	ELEMENT, FUEL FILTER	1							1
25	2	129E32-55740	PLUG ASSY	1							1
26	3	24316-000070	O-RING, 4DP7.0	1							1
27	2	129242-55770	FLOAT	1							1
28	2	24316-000160	O-RING, 4DP16.0	1							1
29	2	24326-000750	O-RING, 4DG75.0	1							1
30	1	129653-55720	SEPARATOR ASSY,WATER	1							1
31	2	123325-35160	SEAT, SPRING	1							1
32	2	129065-55170	SPRING, FILTER	1							1
33	2	129495-55610	BODY, STRAINER	1							1
34	2	129495-55620	BOLT, CENTER	1							1
35	2	129923-55760	CASE, SEPARATOR	1							1
36	2	129065-55770	PLUG, DRAIN M8	1							1
37	2	129065-55800	PLUG, M14	1							1
38	2	129923-99100	ELEMENT KIT, FILTER	1							1
39	3	129653-55810	PACKING	1							1
40	3	129653-55820	PACKING	1							1
41	3	129653-55830	PACKING	1							1
42	3	24316-000120	O-RING, 4DP12.0	1							1
44	1	129907-55801	FILTER, FUEL	1							1
45	1	121750-59910	JOINT, BALL 14	2							1
46	1	22190-140002	WASHER, SEAL 14	4							1
47	1	23857-080000	BOLT, JOINT 8	2							1
48	1	26106-080752	BOLT, M8X 75 PLATED	1							1

Remarks

(1)Loose parts.

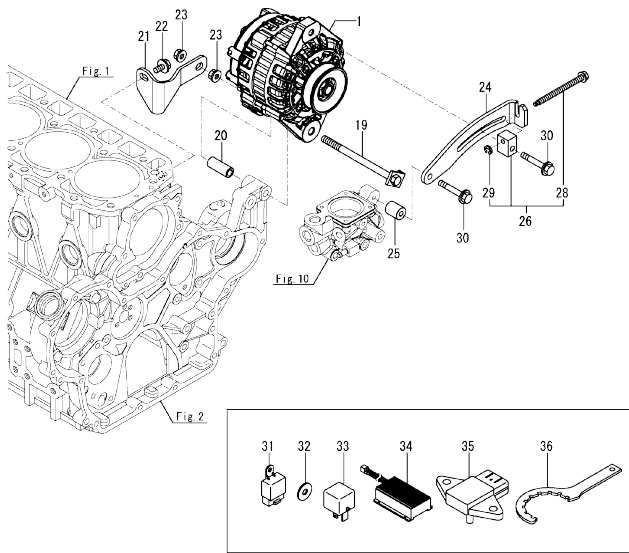
Fig.15. STARTER MOTOR



No.	Lev.	Parts No.	Description	Q'ty					
				(A)	(B)	(C)	(D)	(E)	(F)
1	1	119131-77011	STARTER ASSY, 3.5KW	1					
2	2	119131-77400	ARMATURE ASSY	1					
3	3	171008-77410	BEARING, BALL 1	1					
4	3	119131-77420	BEARING, BALL 2	1					
6	2	119131-77440	COIL ASSY, FIELD	1					
7	3	119260-77070	SCREW, CORE SET	4					
8	3	119131-77450	BRUSH, +	2					
9	2	119131-77460	COVER ASSY, REAR	1					
11	2	119131-77480	HOLDER ASSY, BRUSH	1					
12	3	119131-77490	SPRING, BRUSH	4					
13	3	119131-77500	BRUSH	2					
14	2	119131-77510	CLUTCH ASSY, PINION	1					
15	2	119131-77590	SWITCH, MAGNET	1					
16	2	119131-77620	LEVER SET, SHIFT	1					
19	2	129400-77640	BOLT, THROUGH	2					
20	2	119131-77650	COVER KIT, DUST	1					
24	2	119131-77690	BOLT, M6X37	2					
25	2	121254-77810	COVER, TERMINAL M	1					
26	2	26557-040102	SCREW, M4X10	2					
27	1	26106-120252	BOLT, M12X 25 PLATED	2					

N:Old  $\frac{100}{100}$  New, Q:Old  $\frac{100}{100}$  New, R:Old  $\frac{100}{100}$  New, S:Old  $\frac{100}{100}$  New, W:Add, Z:Discontinued, F:Interchangeable by set, K:Q'ty Change  
 Copyright (C) 2021 YANMAR GLOBAL CS CO., LTD. All Rights Reserved.

Fig.16. GENERATOR



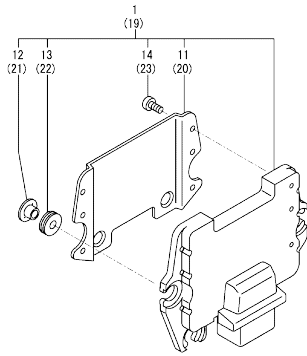
(A)=4TNV98-ZCWSHC  
(B)=  
(C)=

(D)=  
(E)=  
(F)=

No.	Lev.	Parts No.	Description	Q'ty						I	R
				(A)	(B)	(C)	(D)	(E)	(F)		
1	1	129E20-77201	ALTERNATOR	1							
19	1	129923-77250	BOLT, STOPPER M10	1							
20	1	129470-77340	PIECE, DISTANCE	1							
21	1	129923-77370	STAY, ALTERNATOR	1							
22	1	26106-080142	BOLT, M8X 14 PLATED	1							
23	1	26306-100002	NUT, M10	2							
24	1	129923-77300	ADJUSTER, BELT	1							
25	1	129E20-77340	PIECE, DISTANCE	1							
26	1	129630-77350	BLOCK ASSY, ADJUSTER	1							
28	2	129630-77380	BOLT, M8X100	1							
29	2	22272-000050	RING, E- 5	1							
30	1	26106-080452	BOLT, M8X 45 PLATED	2							
31	1	172B02-17150	RELAY, CA TYPE C	2							1
32	1	129927-77690	WASHER, ECU	3							1
33	1	129927-77900	RELAY, ISO 90A	3							1
34	1	129927-77950	CONVERTER, DC-DC	1							1
34-1	1	129927-77990 (A=E57248A)	CONVERTER, DC-DC	1							N 1
35	1	129927-91200	SENSOR, PRESSURE	1							1
36	1	119803-92701	WRENCH, FILTER	1							1

Remarks  
(1) Loose parts.

Fig.17. ELECTRONIC CONTROL UNIT(ECU)



(A)=4TNV98-ZCWSHC  
(B)=  
(C)=

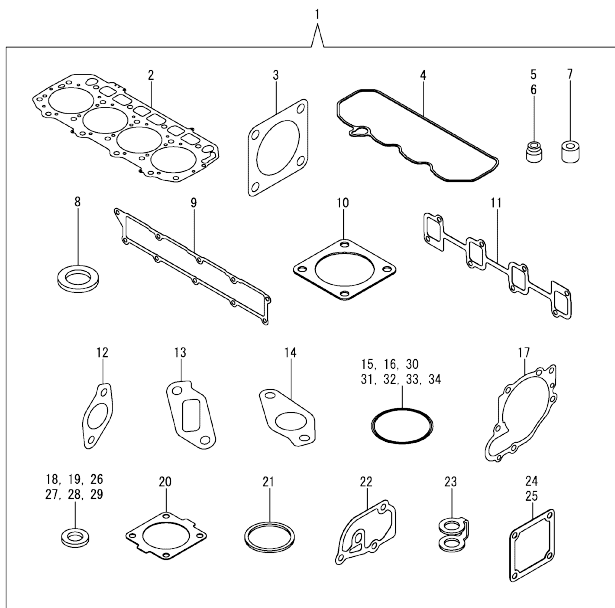
(D)=  
(E)=  
(F)=

No.	Lev.	Parts No.	Description	Q'ty						I	R
				(A)	(B)	(C)	(D)	(E)	(F)		
1	1	129923-75160	ECU ASSY,4V98-ZCWSHC	1							1
11	2	129927-77600	SHIELD, ECU	1							
12	2	129927-77680	COLLAR, CONTROLLER	3							
13	2	119578-91351	RUBBER, CONTROLLER	3							
14	2	22877-500080	SCREW, 5X 8	6							
19	1	129927-75901	ECU ASSY, SERVICE	1							2
20	2	129927-77600	SHIELD, ECU	1							
21	2	129927-77680	COLLAR, CONTROLLER	3							
22	2	119578-91351	RUBBER, CONTROLLER	3							
23	2	22877-500080	SCREW, 5X 8	6							

Remarks

- (1)Eco ECU  
This part cannot be ordered.
- Replace the part using a Service ECU with the proper engine information installed.
- (2)Service ECU  
If the proper information is not installed, the engine will not operate.
- To install proper information, go to an authorized distributor.

Fig.18. GASKET SET



(A)=4TNV98-ZCWSHC  
(B)=  
(C)=

(D)=  
(E)=  
(F)=

No.	Lev.	Parts No.	Description	Q'ty						I	R
				(A)	(B)	(C)	(D)	(E)	(F)		
1	1	129938-92600	GASKET SET	1							1
2	2	129907-01331	GASKET, HEAD	1							
3	2	129C26-01890	GASKET, PUMP	1							
4	2	129933-11310	GASKET, BONNET	1							
5	2	119803-11340	SEAL, VALVE STEM	8							
6	2	124160-11340	SEAL, VALVE STEM	8							
7	2	119802-11870	PROTECTOR, NOZZLE	4							
8	2	119625-11880	SEAT, NOZZLE	4							
9	2	129907-12110	GASKET, MANIFOLD	1							
10	2	129400-13201	GASKET, SILENCER	1							
11	2	129900-13251	GASKET, MANIFOLD	1							
12	2	129927-13810	GASKET, EGR PIPE	1							
13	2	129927-13910	GASKET, EGR	1							
14	2	129927-13920	GASKET, EGR	1							
15	2	129900-32030	O-RING, P20	2							
16	2	129900-32040	O-RING, P14	1							
17	2	129900-42020	GASKET, WATER PUMP	1							
18	2	124465-44950	GASKET, 16	1							
19	2	129150-49360	GASKET, 10	1							
20	2	121850-49540	GASKET, THERMOSTAT	1							
21	2	121850-49550	GASKET, THERMOSTAT	1							
22	2	129900-49870	GASKET, THERMOSTAT	1							
23	2	123907-59550	GASKET, FUEL RETURN	5							
24	2	119129-77020	GASKET, AIR HEATER	2							
25	2	121850-77021	GASKET, AIR HEATER	1							
26	2	22190-080002	WASHER, SEAL 8	7							
27	2	22190-120002	WASHER, SEAL 12	1							
28	2	22190-220002	WASHER, SEAL 22	1							
29	2	23414-080000	GASKET, 8X1.0	1							
30	2	24311-000070	O-RING, 1AP7.0	1							
31	2	24311-000120	O-RING, 1AP12.0	8							
32	2	24311-000320	O-RING, 1AP32.0	3							
33	2	24341-000530	O-RING, 1AS53.0	1							
34	2	24351-030750	O-RING, 1A3075	1							

Remarks

(1)Optional parts.



## Parts No. Index

Parts No.	Fig. No.	Ref. No.
114250-53080	13	2
114250-53120	13	6
114250-53130	13	7
114250-53140	13	8
114250-53210	13	9
119005-35151	9	48
119129-77020	5	7
	18	24
119129-77500	5	9
119129-77520	5	10
119131-18320	6	3
119131-77011	15	1
119131-77400	15	2
119131-77420	15	4
119131-77440	15	6
119131-77450	15	8
119131-77460	15	9
119131-77480	15	11
119131-77490	15	12
119131-77500	15	13
119131-77510	15	14
119131-77590	15	15
119131-77620	15	16
119131-77650	15	20
119131-77690	15	24
119260-77070	15	7
119266-49350	10	39
119309-01810	1	29
119546-59710	19	4
119578-91351	17	13
		22
119593-11301	4	27
119620-01750	3	4
119620-11180	4	12
119625-11880	4	23
	18	8
119640-01640	3	8
119640-61400	4	58
119802-11870	4	22
	18	7
119802-51680	11	68
119802-51690	11	69
119803-11340	4	13
	18	5
119803-53400	13	13
119803-92701	16	36
119852-51630	11	73
119852-51640	11	74
119852-51650	11	76
119934-55611	14	15

Parts No.	Fig. No.	Ref. No.
119934-55611	19	15
119934-59910	11	134
120130-22301	8	23
121252-39450	9	26
121254-77810	15	25
121450-42450	10	36
121750-59910	14	42
	19	45
121850-21130	8	11
121850-21290	8	4
121850-21920	8	5
121850-49540	10	23
	18	20
121850-49550	10	25
	18	21
121850-49801	10	26
121850-77021	5	8
	18	25
123325-35140	14	41
123325-35160	14	29
	19	31
123472-59120	13	41
123672-55760	14	33
123678-55890	14	37
123900-25060	7	9
123907-03100	4	52
123907-03110	4	53
123907-03120	4	54
123907-03140	4	55
123907-11280	4	32
123907-11550	4	1
123907-11601	13	40
123907-11820	4	19
123907-11830	4	18
123907-39500	9	29
123907-59540	14	2
	19	6
123907-59550	14	3
	18	23
	19	7
123907-59560	14	8
	19	8
124060-77680	19	5
124160-01751	2	25
	4	47
124160-11340	4	14
	18	6
124160-11360	4	63
124465-44950	10	37
	18	18

Parts No.	Fig. No.	Ref. No.
124722-59050	14	6
124766-59050	3	11
128990-49320	10	48
129005-59830	9	31
129008-51920	11	12
129008-61301	12	26
129055-55701	14	18
129055-55720	19	18
129065-55170	14	30
	19	32
129065-55770	14	35
	19	36
129065-55800	14	36
	19	37
129100-01580	2	1
	3	1
129100-35140	9	6
	42	42
129150-02450	7	4
129150-11230	4	35
	39	39
129150-11750	4	17
	36	36
	40	40
129150-14200	7	1
129150-25920	7	16
129150-35153	9	38
129150-49360	10	38
	18	19
129150-59120	13	42
129150-59131	13	45
129238-35111	9	39
129242-55720	19	19
129242-55730	14	21
	19	24
129242-55740	14	22
129242-55750	14	23
	19	21
129242-55760	14	24
	19	22
129242-55770	14	25
	19	27
129263-49750	14	5
129263-77941	11	127
129400-13201	18	10
129400-77640	15	19
129418-18320	6	4
129461-59580	14	16
	19	16
129470-77340	16	20

Parts No.	Fig. No.	Ref. No.
129495-55610	14	31
	19	33
129495-55620	14	32
	19	34
129630-77350	16	26
129630-77380	16	28
129653-55720	19	30
129653-55810	19	39
129653-55820	19	40
129653-55830	19	41
129657-51590	11	63
129657-51600	11	64
129693-44300	6	7
129900-01200	1	27
129900-01250	1	4
129900-01620	3	2
129900-01850	2	34
129900-01870	2	35
129900-02020	1	6
129900-02341	1	33
129900-02410	1	9
129900-02931	1	24
129900-02941	1	36
129900-13251	6	5
	18	11
129900-14100	7	6
129900-21200	8	3
129900-21600	8	14
129900-23001	8	25
129900-23200	8	28
129900-23601	8	29
129900-23611	8	32
129900-23911	8	31
129900-25100	7	10
129900-32001	2	4
129900-32030	2	16
	9	18
	18	15
129900-32040	2	17
	18	16
129900-42020	10	11
	18	17
129900-49870	10	31
	18	22
129902-21000	8	1
129906-51580	11	61
129907-01331	1	28
	18	2
129907-03011	4	49
129907-03061	4	50

## Parts No. Index

Parts No.	Fig. No.	Ref. No.	Parts No.	Fig. No.	Ref. No.	Parts No.	Fig. No.	Ref. No.	Parts No.	Fig. No.	Ref. No.
129907-03070	4	51	129927-02940	1	36 -1	129930-13201	6	18	158557-51570	11	60
129907-07900	4	66	129927-11320	4	48	129932-14580	7	3 -1	158557-61720	12	16
129907-11100	4	9	129927-11700	4	2	129933-11310	4	57	158563-51150	7	17
129907-11110	4	10	129927-12150	5	2		18	4	158563-51281	11	23
129907-11120	4	11	129927-13101	6	2	129938-49800	10	19			24
129907-11250	4	29	129927-13150	6	1	129938-55720	14	20	158563-51330	11	35
129907-11260	4	30	129927-13800	6	9	129938-92600	18	1	158600-51270	11	22
129907-11270	4	31	129927-13810	6	10	129944-01500	2	3	158601-51550	11	57
129907-11341	4	28		18	12	129944-42400	10	14	158601-51650	11	128
129907-11510	4	15	129927-13910	6	14	129946-59300	19	2	158601-51770	11	100
129907-11650	4	33		18	13	129950-21670	8	8	158601-51790	11	102
129907-11660	4	37	129927-13920	6	15	129951-01740	2	27	171008-77410	15	3
129907-11800	4	68		18	14	129953-25300	7	14	171051-01921	1	5
129907-11910	4	24	129927-22050	8	17	129953-35000	9	19	171056-49120	10	35
129907-11920	4	41	129927-22080	8	15	129953-39500	9	44	172B02-17150	16	31
129907-11950	4	25	129927-23600	8	29 -1		46		175339-79700	4	59
129907-11960	4	24 -1	129927-23610	8	32 -1	129953-39501	9	44 -1	22190-080002	9	32
129907-12110	5	1	129927-25100	7	10 -1		46	-1			34
	18	9	129927-25920	7	16 -1	129953-44710	10	16			36
129907-14400	7	2	129927-39060	9	27	129956-33110	9	1		14	9
129907-25900	7	15	129927-42001	10	1	129960-21930	8	9		18	26
129907-51560	11	58	129927-42002	10	1 -1	129960-21940	8	10		19	9
129907-52100	14	12	129927-42140	2	18	129960-21950	8	9 -1	22190-120002	10	28
	19	12	129927-44900	10	20	129973-44760	10	17		11	105
129907-55801	14	17	129927-49610	10	40	129973-55610	14	14			112
		43	129927-49620	10	44		19	14			135
	19	17	129927-51250	11	141	129C22-35310	9	41		12	28
		44	129927-51390	11	25	129C26-01890	18	3		18	27
129907-59140	14	1	129927-51650	11	125	129E00-13650	6	6	22190-140002	14	44
	19	1	129927-51660	11	126	129E00-22050	8	17 -1		19	46
129908-14581	7	3	129927-51670	11	129	129E20-01700	3	9	22190-180002	11	106
129916-01790	3	7	129927-53300	13	10	129E20-34861	9	17	22190-220002	3	13
129916-01800	2	33	129927-59550	14	4	129E20-59500	3	10		18	28
129916-21610	8	7	129927-59810	13	47	129E20-77201	16	1	22217-050000	11	136
129916-49530	10	22	129927-59820	13	48	129E20-77340	16	25	22217-180000	11	113
129917-55840	14	22 A	129927-59830	13	49	129E32-55740	19	25	22252-000300	8	24
129923-35210	9	3	129927-59840	13	50	144626-51090	11	13	22272-000050	16	29
129923-55600	14	13	129927-75901	17	19	158552-51571	11	59	22312-050140	11	114
	19	13	129927-77600	17	11	158552-51580	11	62	22351-050010	11	115
129923-55750	14	28		20	158552-51670	11	130	22351-060012	1	11	
129923-55760	14	34	129927-77680	17	12	158552-51781	11	101	22512-070140	7	7
	19	35		21	158552-52100	11	132		8	6	
129923-75160	17	1	129927-77690	16	32	158552-52311	11	110	22857-500100	4	60
129923-77250	16	19	129927-77900	16	33	158552-52400	11	111			61
129923-77300	16	24	129927-77950	16	34	158552-52500	11	133	22877-500080	17	14
129923-77370	16	21	129927-77990	16	34 -1	158553-51670	11	67			23
129923-99100	19	38	129927-91200	16	35	158553-51680	11	79	23080-012000	10	43
129926-22080	8	15 -1	129928-13900	6	13	158553-51930	11	104			47
129927-02340	1	33 -1	129928-51900	11	11		12	2	23414-080000	10	32
129927-02930	1	24 -1	129929-21320	8	12	158553-61780	12	27		18	29

## Parts No. Index

Parts No.	Fig. No.	Ref. No.
23857-030000	9	33
23857-080000	14	45
	19	47
23875-030000	10	29
23876-020000	4	6
23876-030000	1	12
		13
		14
	4	7
24311-000070	2	19
	11	116
	18	30
24311-000120	4	26
		64
	14	39
	18	31
24311-000160	14	26
24311-000320	2	26
	4	65
	18	32
24314-000200	9	15
24316-000070	19	26
24316-000120	19	42
24316-000160	19	28
24321-000600	9	16
		47
24321-000750	14	27
24326-000750	19	29
24341-000480	12	22
24341-000530	18	33
24351-030750	2	20
	18	34
24356-190200	11	70
		117
24356-240210	11	118
24372-000150	11	71
25153-004500	10	15
26106-060102	11	119
26106-060122	4	62
	11	137
26106-060162	12	23
26106-060202	10	30
26106-060252	12	29
26106-060302	10	12
26106-060352	11	120
26106-080122	3	14
	9	24
		24 -1
		35
		37

Parts No.	Fig. No.	Ref. No.
26106-080122	10	33
26106-080142	7	8
	16	22
26106-080162	2	21
		36
	4	67
	9	25
26106-080202	2	22
		28
	11	142
26106-080252	12	24
26106-080302	11	143
26106-080402	2	37
	4	43
	5	11
26106-080452	2	23
		29
	5	5
	16	30
26106-080552	7	13
	10	13
26106-080602	4	44
		45
	10	34
26106-080652	10	18
26106-080702	2	38
26106-080752	2	30
	14	46
	19	48
26106-080802	5	6
26106-080902	5	12
26106-100302	6	11
		16
26106-100952	6	17
26106-120252	15	27
26206-100352	3	5
26206-100702	3	6
26216-060202	5	4
26216-100302	2	15
26226-080222	4	42
26306-080002	4	46
	6	8
		12
26306-100002	2	24
	16	23
26366-060002	13	51
26450-100452	11	121
26557-040102	15	26
26716-050002	11	138
26776-180002	11	122

Parts No.	Fig. No.	Ref. No.
27241-160000	11	139
27241-300000	1	10
27241-400000	4	8
27310-070001	4	20
41650-502320	14	38
729900-02801	1	30
729907-01559	2	31
729923-01560	1	1 -1
729923-51350	11	1
729927-01560	1	1
729927-02800	1	30 -1
729927-53300	13	1

Parts No.	Fig. No.	Ref. No.
-----------	----------	----------