

0CD50-M03840EN

# P R E F A C E

This parts catalog is the 1st edition of 4TNV98-ZCSLYB for Liugong.

Published : April, 2018

## Contents

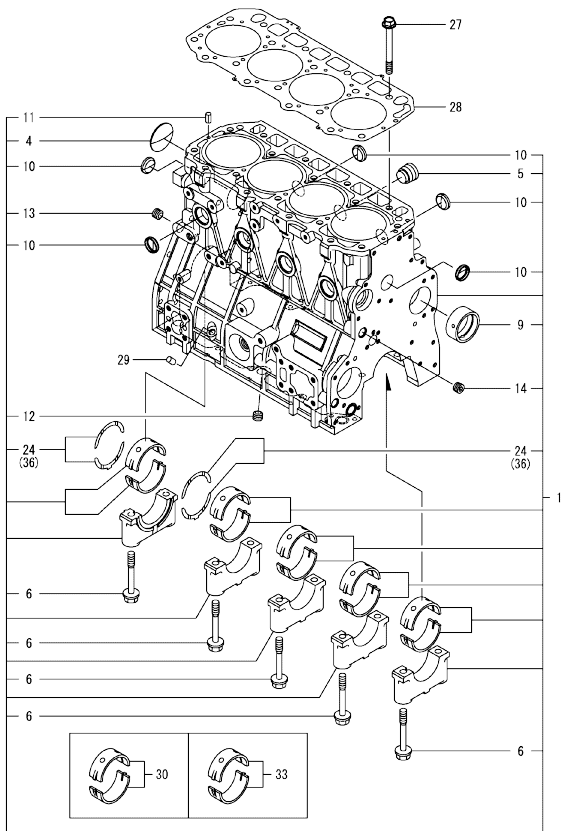
OCD50-M03840

Fig. No.	Fig. Name	Fig. No.	Fig. Name
ENGINE			
1.	CYLINDER BLOCK		
2.	GEAR HOUSING		
3.	FLYWHEEL HOUSING & OIL SUMP		
4.	CYLINDER HEAD & BONNET		
5.	SUCTION MANIFOLD		
6.	EXHAUST MANIFOLD		
7.	CAMSHAFT & DRIVING GEAR		
8.	CRANKSHAFT & PISTON		
9.	LUB. OIL SYSTEM		
10.	COOLING WATER SYSTEM		
11.	FUEL INJECTION PUMP		
12.	GOVERNOR		
13.	FUEL INJECTION VALVE		
14.	FUEL PIPE		
15.	STARTER MOTOR		
16.	GENERATOR		
17.	ELECTRONIC CONTROL UNIT(ECU)		
18.	ACCESSORY		
19.	GASKET SET		

Fig.1. CYLINDER BLOCK

(A)=4TNV98-ZCSLYB  
(B)=  
(C)=

(D)=  
(E)=  
(F)=

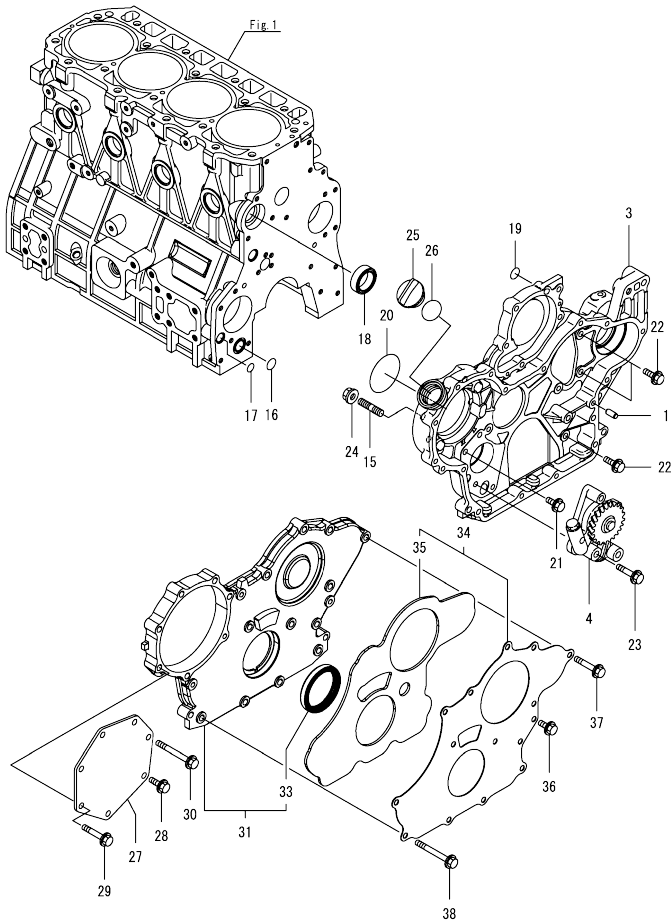


No.	Lev.	Parts No.	Description	Q'ty						I	R
				(A)	(B)	(C)	(D)	(E)	(F)		
1	1	729927-01560	BLOCK ASSY, CYLINDER	1							
4	2	129900-01250	PLUG, 55	1							
5	2	171051-01921	PLUG, NPTF1	1							
6	2	129900-02020	BOLT, METAL CAP	10							
9	2	129900-02410	BUSH, CAMSHAFT	1							
10	2	27241-300000	PLUG 30	8							
11	2	22351-060012	PIN, SPRING 6.0X12	2							
12	2	23876-030000	PLUG, R03	1							
13	2	23876-030000	PLUG, R03	1							
14	2	23876-030000	PLUG, R03	1							
24	2	129927-02930	BEARING ASSY, THRUST	2							
27	1	129900-01200	BOLT, CYLINDER HEAD	18							
28	1	129907-01331	GASKET, HEAD	1							
29	1	119309-01810	PLUG	1							
30	1	729927-02800	BEARING ASSY, MAIN	5							1
33	1	129927-02340	BEARING ASSY, MAIN US	5							2
36	1	129927-02940	BEARING ASSY, THRUST	2							3

Remarks

- (1) Spare parts.
- (2) Under-sized (U.S.=0.25) parts.
- (3) Over-sized (O.S.=0.25) parts.

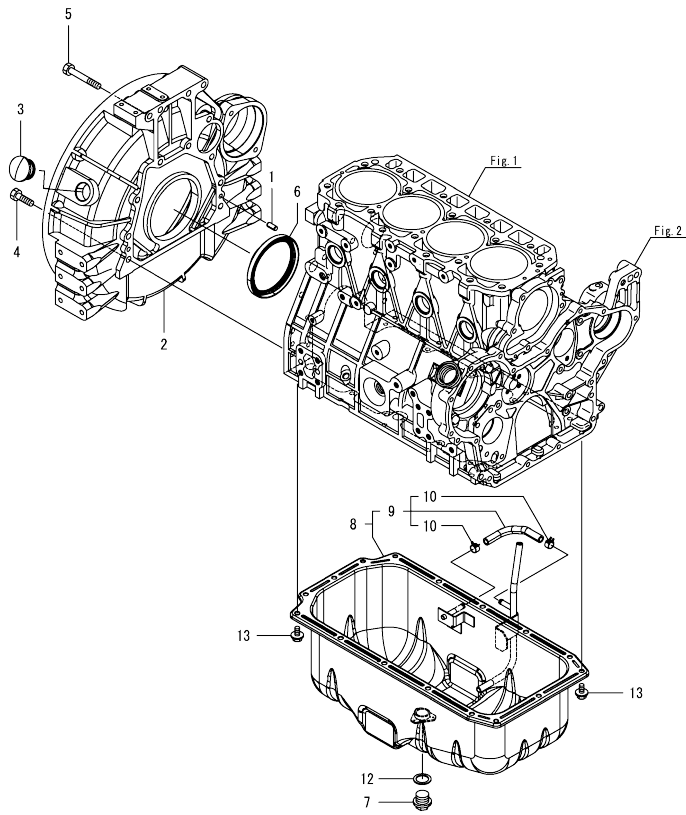
Fig.2. GEAR HOUSING



(A)=4TNV98-ZCSLYB  
(D)=  
(E)=  
(F)=

No.	Lev.	Parts No.	Description	Q'ty						I	R
				(A)	(B)	(C)	(D)	(E)	(F)		
1	1	129100-01580	PIN, PARALLEL 8X16	4							
3	1	129938-01500	CASE ASSY, GEAR	1							
4	1	129900-32001	PUMP ASSY, OIL	1							
15	1	26216-100302	STUD, M10X 30	4							
16	1	129900-32030	O-RING, P20	1							
17	1	129900-32040	O-RING, P14	1							
18	1	129927-42140	GASKET, PUMP OUTLET	1							
19	1	24311-000070	O-RING, 1AP7.0	1							
20	1	24351-030750	O-RING, 1A3075	1							
21	1	26106-080162	BOLT, M8X 16 PLATED	1							
22	1	26106-080202	BOLT, M8X 20 PLATED	3							
23	1	26106-080452	BOLT, M8X 45 PLATED	3							
24	1	26306-100002	NUT, M10	4							
25	1	124160-01751	CAP, FILLER	1							
26	1	24311-000320	O-RING, 1AP32.0	1							
27	1	129951-01740	COVER, PUMP TIMING	1							
28	1	26106-080202	BOLT, M8X 20 PLATED	1							
29	1	26106-080452	BOLT, M8X 45 PLATED	5							
30	1	26106-080752	BOLT, M8X 75 PLATED	1							
31	1	729907-01559	COVER ASSY, CASE	1							
33	2	129916-01800	SEAL, OIL	1							
34	1	129900-01850	COVER ASSY, CASE	1							
35	2	129900-01870	SPONGE, COVER	1							
36	1	26106-080162	BOLT, M8X 16 PLATED	3							
37	1	26106-080402	BOLT, M8X 40 PLATED	5							
38	1	26106-080702	BOLT, M8X 70 PLATED	6							

Fig.3. FLYWHEEL HOUSING & OIL SUMP

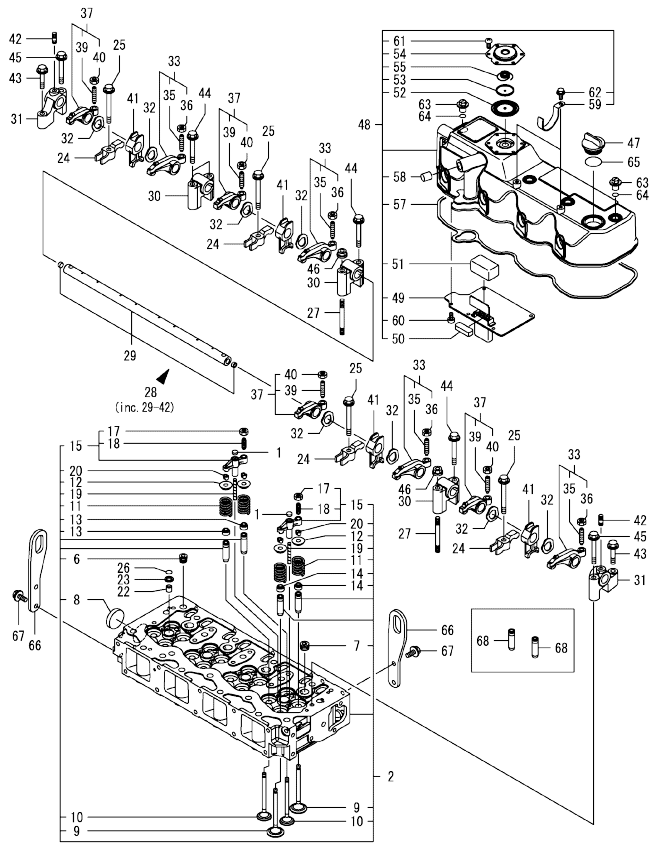


(A)=4TNV98-ZCSLYB  
(B)=  
(C)=

(D)=  
(E)=  
(F)=

No.	Lev.	Parts No.	Description	Q'ty						I	R
				(A)	(B)	(C)	(D)	(E)	(F)		
1	1	129100-01580	PIN, PARALLEL 8X16	2							
2	1	129981-01600	HOUSING, FLYWHEEL	1							
3	1	119620-01750	CAP, WHEEL COVER	1							
4	1	26206-100352	BOLT, M10X 35 PLATED	9							
5	1	26206-100702	BOLT, M10X 70 PLATED	4							
6	1	129916-01790	SEAL, D115/95XT11	1							
7	1	119640-01640	PLUG, DRAIN M22	1							
8	1	129E20-01700	OIL PAN ASSY	1							
9	2	129E20-59500	HOSE ASSY	1							
10	3	124766-59050	CLAMP, HOSE 11.5	2							
12	1	22190-220002	WASHER, SEAL 22	1							
13	1	26106-080122	BOLT, M8X 12 PLATED	16							

Fig.4. CYLINDER HEAD & BONNET



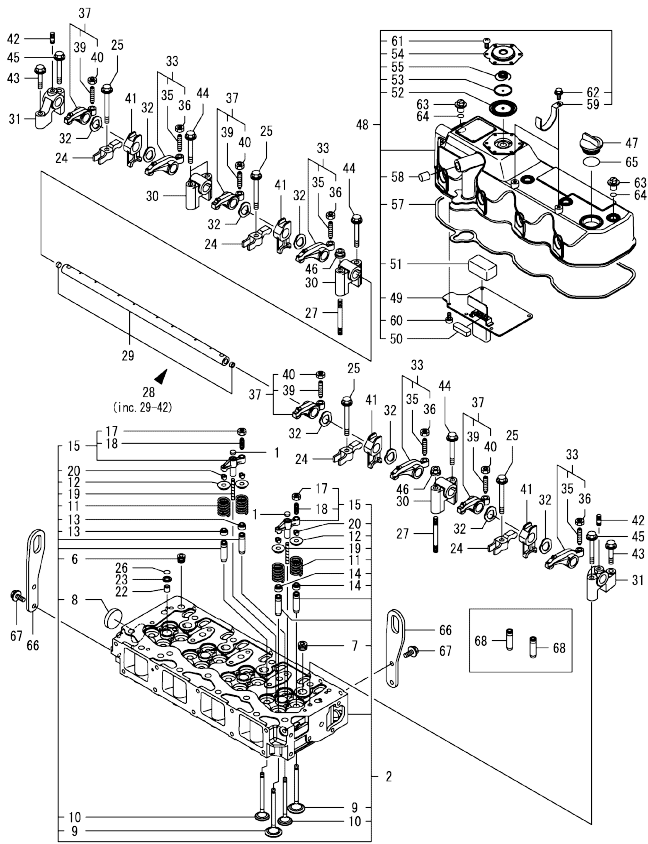
(A)=4TNV98-ZCSLYB  
(B)=  
(C)=

(D)=  
(E)=  
(F)=

No.	Lev.	Parts No.	Description	Q'ty						I	R
				(A)	(B)	(C)	(D)	(E)	(F)		
1	1	123907-11550	SEAT, VALVE BRIDGE	8							
2	1	129927-11700	HEAD ASSY, CYLINDER	1							
6	2	23876-020000	PLUG, R02	1							
7	2	23876-030000	PLUG, R03	4							
8	2	27241-400000	PLUG, 40	1							
9	2	129907-11100	VALVE, INTAKE	8							
10	2	129907-11110	VALVE, EXHAUST	8							
11	2	129907-11120	SPRING, VALVE	16							
12	2	119620-11180	RETAINER, SPRING	16							
13	2	119803-11340	SEAL, VALVE STEM	8							
14	2	124160-11340	SEAL, VALVE STEM	8							
15	2	129907-11510	BRIDGE ASSY, VALVE	8							
17	3	129150-11750	NUT, M8XP1.0	8							
18	3	123907-11830	ADJUSTER, BRIDGE	8							
19	2	123907-11820	GUIDE, BRIDGE	8							
20	2	27310-070001	COTTER, 7	16							
22	1	119802-11870	PROTECTOR, NOZZLE	4							
23	1	119625-11880	SEAT, NOZZLE	4							
24	1	129907-11910	RETAINER, NOZZLE	4							
25	1	129907-11950	BOLT, VALVE HOLDER	4							
26	1	24311-000120	O-RING, 1AP12.0	4							
27	1	119593-11301	STUD, M8X80	2							
28	1	129907-11341	SUPPORT ASSY, ROCKER	1							
29	2	129907-11250	SHAFT, ROCKER ARM	1							
30	2	129907-11260	SUPPORT, ROCKER A	3							
31	2	129907-11270	SUPPORT, ROCKER B	2							
32	2	123907-11280	WASHER, WAVE	8							
33	2	129907-11650	ARM ASSY, ROCKER INT	4							
35	3	129150-11230	SCREW, VALVE ADJUST	4							
36	3	129150-11750	NUT, M8XP1.0	4							
37	2	129907-11660	ARM ASSY, ROCKER EXH	4							
39	3	129150-11230	SCREW, VALVE ADJUST	4							
40	3	129150-11750	NUT, M8XP1.0	4							
41	2	129907-11920	RETAINER, NOZZLE	4							
42	2	26226-080222	STUD, M8X 22	2							
43	1	26106-080402	BOLT, M8X 40 PLATED	2							
44	1	26106-080602	BOLT, M8X 60 PLATED	4							
45	1	26106-080602	BOLT, M8X 60 PLATED	2							
46	1	26306-080002	NUT, M8	2							
47	1	124160-01751	CAP, FILLER	1							
48	1	129922-11320	BONNET ASSY	1							
49	2	129907-03011	PLATE, BAFFLE	1							
50	2	129907-03061	BAFFLE, BREATHER	1							
51	2	129907-03070	BAFFLE, BREATHER	1							
52	2	123907-03100	DIAPHRAGM, BREATHER	1							
53	2	123907-03110	PLATE, CENTER	1							
54	2	129922-03120	PLATE, BREATHER	1							
55	2	123907-03140	SPRING, DIAPHRAGM	1							
57	2	129933-11310	GASKET, BONNET	1							
58	2	119640-61400	PLUG	1							
59	2	175339-79700	CLIP	2							

Remarks  
(1)Spare parts.

Fig.4. CYLINDER HEAD & BONNET



(A)=4TNV98-ZCSLYB  
(B)=  
(C)=

(D)=  
(E)=  
(F)=

No.	Lev.	Parts No.	Description	Q'ty						I	R		
				(A)	(B)	(C)	(D)	(E)	(F)				
60	2	22857-500100	SCREW, 5X10										
61	2	22857-500100	SCREW, 5X10										
62	2	26106-060122	BOLT, M6X 12 PLATED										
63	1	124160-11360	KNOB, BONNET										
64	1	24311-000120	O-RING, 1AP12.0										
65	1	24311-000320	O-RING, 1AP32.0										
66	1	129907-07900	LIFTER, ENGINE										
67	1	26106-080162	BOLT, M8X 16 PLATED										
68	1	129907-11800	GUIDE, VALVE										1

Remarks  
(1)Spare parts.



Fig.5. SUCTION MANIFOLD

(A)=4TNV98-ZCSLYB  
(B)=  
(C)=

(D)=  
(E)=  
(F)=

No.	Lev.	Parts No.	Description	Q'ty					
				(A)	(B)	(C)	(D)	(E)	(F)
1	1	129907-12110	GASKET, MANIFOLD	1					
2	1	129927-12150	MANIFOLD ASSY,INTAKE	1					
3	2	129927-12100	MANIFOLD, AIR INTAKE	1					
4	2	26216-060202	STUD, M6X 20	2					
5	1	26106-080452	BOLT, M8X 45 PLATED	6					
6	1	26106-080802	BOLT, M8X 80 PLATED	4					
7	1	119129-77020	GASKET, AIR HEATER	1					
8	1	121850-77021	GASKET, AIR HEATER	1					
9	1	119005-77051	HEATER, AIR	1					
10	1	119129-77520	BEND, INLET	1					
11	1	26106-080402	BOLT, M8X 40 PLATED	2					
12	1	26106-080902	BOLT, M8X 90 PLATED	2					

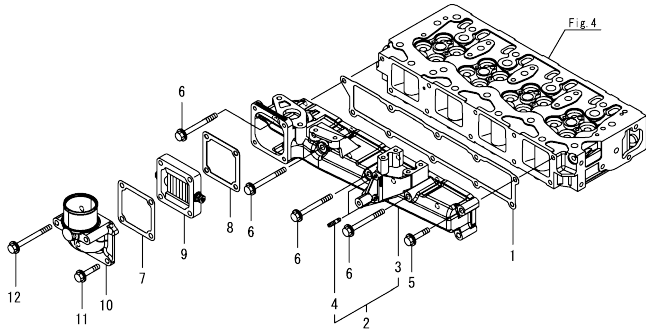


Fig.6. EXHAUST MANIFOLD

(A)=4TNV98-ZC5LYB  
(B)=  
(C)=

(D)=  
(E)=  
(F)=

No.	Lev.	Parts No.	Description	Q'ty						I	R
				(A)	(B)	(C)	(D)	(E)	(F)		
1	1	129927-13150	MANIFOLD ASSY	1							
2	2	129927-13101	MANIFOLD, EXHAUST	1							
3	2	119131-18320	STUD, M8X22	4							
4	2	129418-18320	STUD, M8X20	2							
5	1	129263-13210	STUD, M8X90	2							
6	1	129900-13251	GASKET, MANIFOLD	1							
7	1	129E00-13650	BOLT, M8X90 10.9T	6							
8	1	26306-080002	NUT, M8	2							
9	1	129927-13800	PIPE ASSY, EGR	1							
10	1	129927-13810	GASKET, EGR PIPE	1							
11	1	26106-100302	BOLT, M10X 30 PLATED	2							
12	1	26306-080002	NUT, M8	2							
13	1	129928-13900	VALVE, EGR	1							
14	1	129927-13910	GASKET, EGR	1							
15	1	129927-13920	GASKET, EGR	1							
16	1	26106-100302	BOLT, M10X 30 PLATED	1							
17	1	26106-100952	BOLT, M10X 95 PLATED	1							

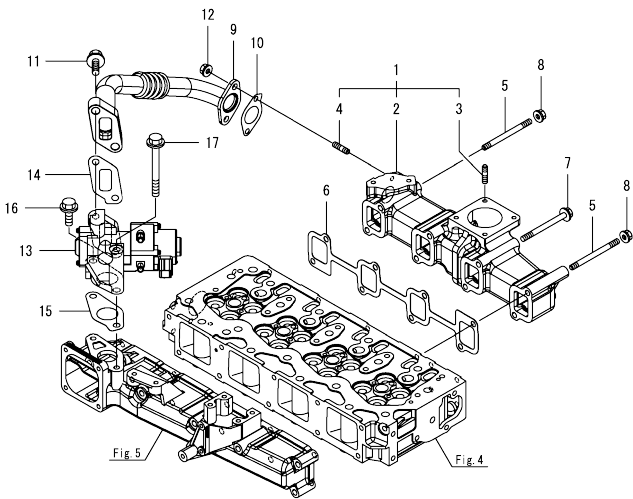
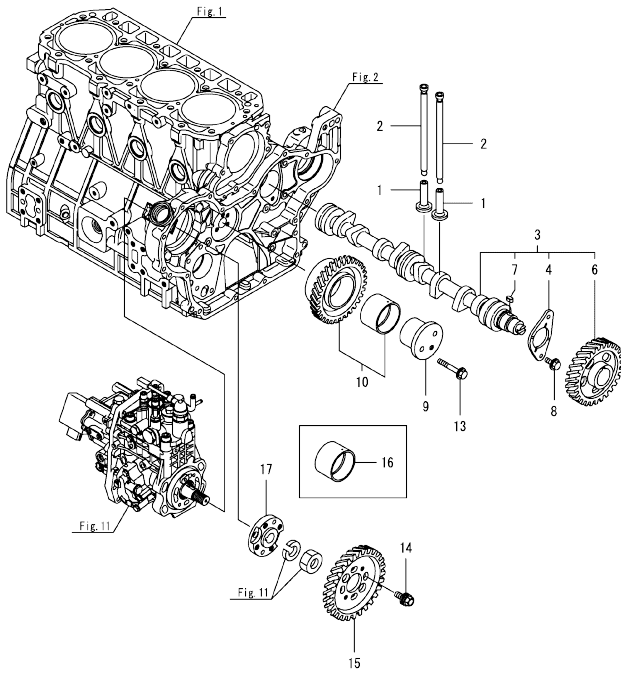


Fig.7. CAMSHAFT & DRIVING GEAR



(A)=4TNV98-ZCSLYB  
(B)=  
(C)=

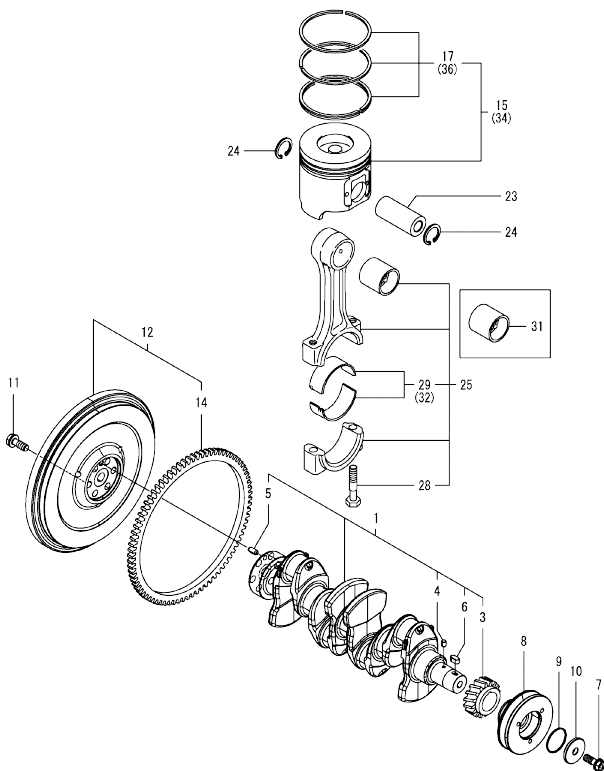
(D)=  
(E)=  
(F)=

No.	Lev.	Parts No.	Description	Q'ty						I	R
				(A)	(B)	(C)	(D)	(E)	(F)		
1	1	129150-14200	TAPPET	8							
2	1	129907-14400	ROD, PUSH	8							
3	1	129908-14581	CAMSHAFT ASSY	1							
4	2	129150-02450	METAL, THRUST	1							
6	2	129900-14100	GEAR, CAMSHAFT	1							
7	2	22512-070140	KEY, 7X 14	1							
8	1	26106-080142	BOLT, M8X 14 PLATED	2							
9	1	123900-25060	SHAFT, IDLE GEAR	1							
10	1	129927-25100	GEAR ASSY, IDLE	1							
13	1	26106-080552	BOLT, M8X 55 PLATED	3							
14	1	129953-25300	BOLT, PUMP BODY	4							
15	1	129907-25900	GEAR, PUMP	1							
16	1	129927-25920	BUSH, IDLE GEAR	1							1
17	1	158563-51150	FLANGE	1							

Remarks

(1)Spare parts.

Fig.8. CRANKSHAFT & PISTON



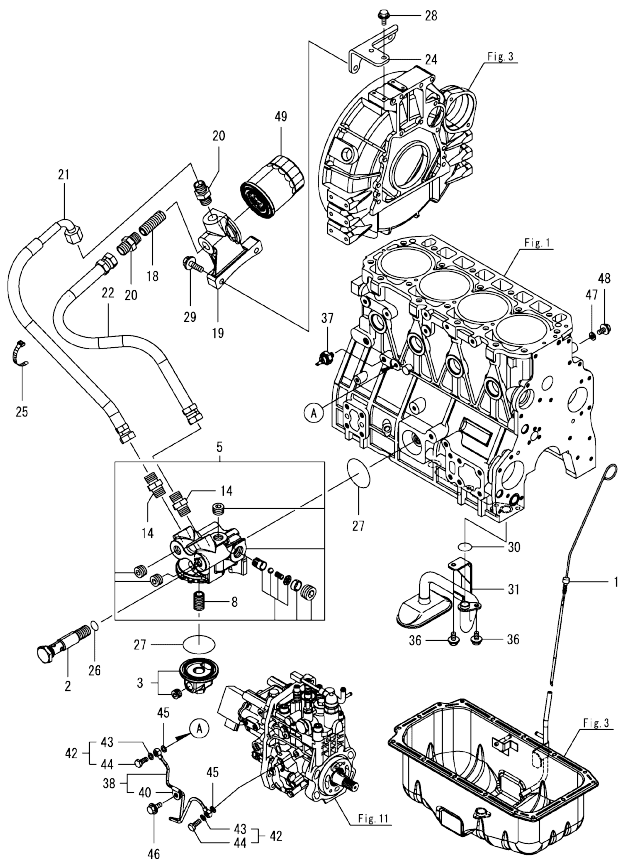
(A)=4TNV98-ZCSLYB  
(B)=  
(C)=

(D)=  
(E)=  
(F)=

No.	Lev.	Parts No.	Description	Q'ty						I	R
				(A)	(B)	(C)	(D)	(E)	(F)		
1	1	129902-21000	CRANKSHAFT ASSY	1							
3	2	129900-21200	GEAR, CRANKSHAFT	1							
4	2	121850-21290	PIN, CRANK GEAR	1							
5	2	121850-21920	PIN, PARALLEL 10X22	1							
6	2	22512-070140	KEY, 7X 14	1							
7	1	129916-21610	BOLT, V-PULLEY	1							
8	1	129944-21650	V-PULLEY, CRANKSHAFT	1							
9	1	129960-21930	GASKET, WASHER	1							
10	1	129960-21940	WASHER, V-PULLEY	1							
11	1	121850-21130	BOLT, FLYWHEEL	6							
12	1	129916-21590	FLYWHEEL ASSY	1							
14	2	129900-21600	GEAR, RING	1							
15	1	129927-22080	PISTON ASSY	4							
17	2	129927-22050	RING SET, PISTON	4							
23	1	120130-22301	PIN, PISTON	4							
24	1	22252-000300	RING, 30	8							
25	1	129900-23001	ROD ASSY, CONNECTING	4							
28	2	129900-23200	BOLT, CONNECTING ROD	8							
29	2	129927-23600	BEARING ASSY, PIN	4							
31	1	129900-23911	METAL, PISTON PIN	4							1
32	1	129927-23610	BEARING ASSY, PIN US	4							2
34	1	729927-22900	PISTON ASSY, 0.25 OS	4							3
36	2	729927-22950	RING SET, PISTON .25	4							3

Remarks  
(1)Spare parts.  
(2)Under-sized(U.S.=0.25) parts.  
(3)Over-sized(O.S.=0.25) parts.

Fig.9. LUB. OIL SYSTEM



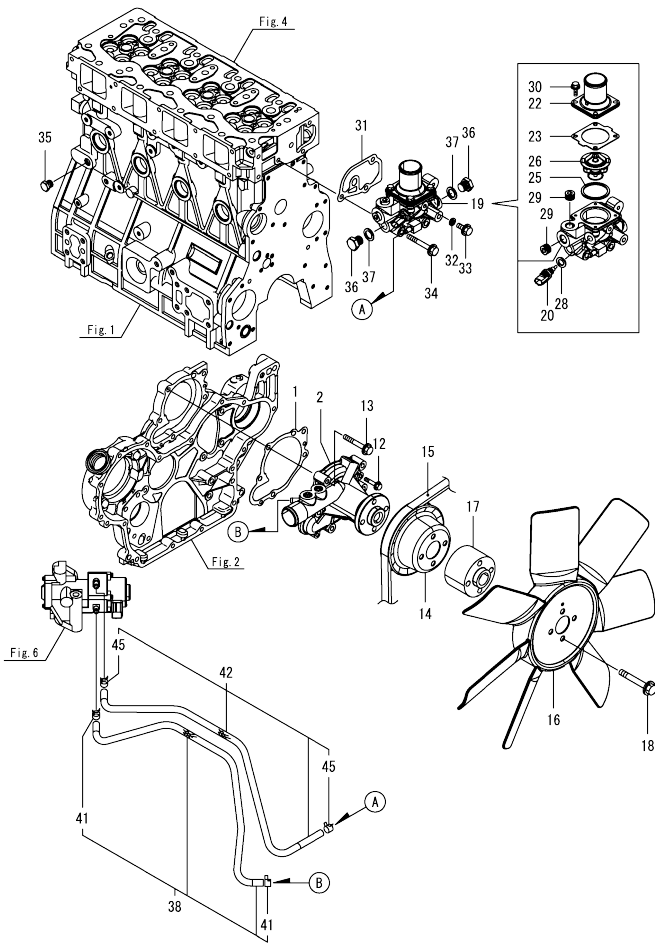
(A)=4TNV98-ZCSLYB  
(B)=  
(C)=

(D)=  
(E)=  
(F)=

No.	Lev.	Parts No.	Description	(A)	(B)	(C)	(D)	(E)	(F)	I	R
1	1	129E20-34871	DIPSTICK, OIL	1							
2	1	129956-33110	BOLT	1							
3	1	129238-35111	PLUG	1							
5	1	129926-35130	BRACKET ASSY, L	1							
8	2	129100-35140	STUD	1							
14	2	129953-39500	ADAPTER, R-G1/2	2							
14-1	2	129953-39501	ADAPTER	2							N
(A=E177105)											
18	1	119000-35140	BOLT, FILTER	1							
19	1	129949-35200	BRACKET, LUB.OIL	1							
20	1	129953-39500	ADAPTER, R-G1/2	2							
20-1	1	129953-39501	ADAPTER	2							N
(A=E177105)											
21	1	129238-39100	PIPE, FILTER	1							
22	1	129E23-39100	PIPE, LO	1							
24	1	129923-35200	BRACKET, LO FILTER	1							
25	1	198220-51870	BAND, NYLON 200	1							
26	1	24314-000200	O-RING, 4CP20.0	1							
27	1	24321-000600	O-RING, 1AG60.0	2							
28	1	26106-080162	BOLT, M8X 16 PLATED	2							
29	1	26106-100302	BOLT, M10X 30 PLATED	2							
30	1	129900-32030	O-RING, P20	1							
31	1	129953-35000	PIPE ASSY, OIL INLET	1							
36	1	26106-080122	BOLT, M8X 12 PLATED	2							
37	1	119761-39450	SWITCH, HYDRAULIC	1							
38	1	129927-39060	PIPE ASSY, OIL	1							
40	2	123907-39500	RETAINER, PIPE	1							
42	1	129005-59830	BOLT ASSY, JOINT M8	2							
43	2	22190-080002	WASHER, SEAL 8	2							
44	2	23857-030000	BOLT, JOINT 3	2							
45	1	22190-080002	WASHER, SEAL 8	2							
46	1	26106-080122	BOLT, M8X 12 PLATED	1							
47	1	22190-080002	WASHER, SEAL 8	1							
48	1	26106-080122	BOLT, M8X 12 PLATED	1							
49	1	119005-35151	FILTER, OIL D60X100	1							1

Remarks  
(1)Spare parts.

Fig.10. COOLING WATER SYSTEM

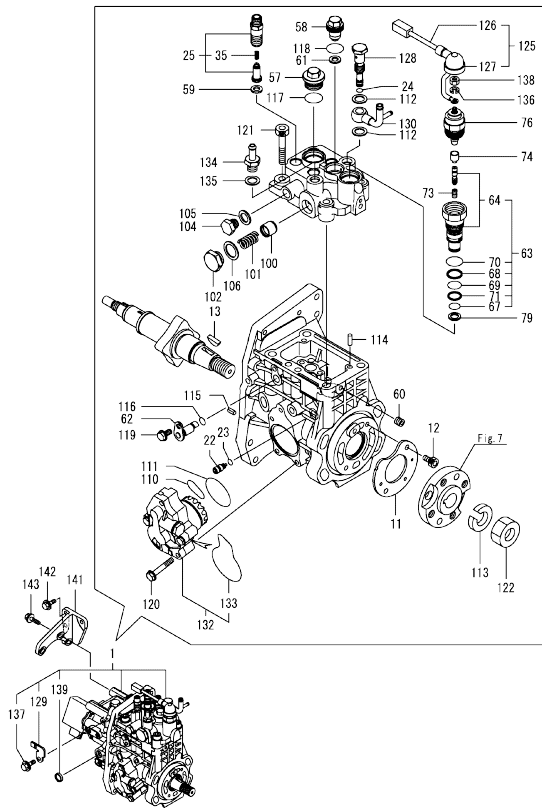


(A)=4TNV98-ZCSLYB  
(B)=  
(C)=

(D)=  
(E)=  
(F)=

No.	Lev.	Parts No.	Description	Q'ty						I	R
				(A)	(B)	(C)	(D)	(E)	(F)		
1	1	129900-42020	GASKET, WATER PUMP	1							
2	1	129948-42110	PUMP ASSY, WATER	1							
12	1	26106-060302	BOLT, M6X 30 PLATED	2							
13	1	26106-080552	BOLT, M8X 55 PLATED	5							
14	1	123957-42451	V-PULLEY, PUMP	1							
15	1	129C20-42290	V-BELT, B42.5	1							
16	1	123900-44732	FAN, COOLING D=500	1							
17	1	123910-44771	SPACER, FAN 50MM	1							
18	1	26106-100702	BOLT, M10X 70 PLATED	4							
19	1	129927-49800	CASE ASSY,THERMOSTAT	1							
20	2	129927-44900	SENSOR, TEMPERATURE	1							
22	2	129916-49530	COVER, THERMOSTAT	1							
23	2	121850-49540	GASKET, THERMOSTAT	1							
25	2	121850-49550	GASKET, THERMOSTAT	1							
26	2	121850-49811	THERMOSTAT, 71C	1							
28	2	22190-120002	WASHER, SEAL 12	1							
29	2	23875-030000	PLUG, R03	2							
30	2	26106-060202	BOLT, M6X 20 PLATED	4							
31	1	129900-49870	GASKET, THERMOSTAT	1							
32	1	23414-080000	GASKET, 8X1.0	1							
33	1	26106-080122	BOLT, M8X 12 PLATED	1							
34	1	26106-080602	BOLT, M8X 60 PLATED	3							
35	1	171056-49120	PLUG, DRAIN R1/4	1							
36	1	121450-42450	PLUG, M16	2							
37	1	124465-44950	GASKET, 16	2							
38	1	129927-49610	HOSE ASSY, WATER A	1							
41	2	23080-012000	CLAMP, 12	2							
42	1	129927-49620	HOSE ASSY, WATER B	1							
45	2	23080-012000	CLAMP, 12	2							

Fig.11. FUEL INJECTION PUMP



(A)=4TNV98-ZCSLYB  
(B)=  
(C)=

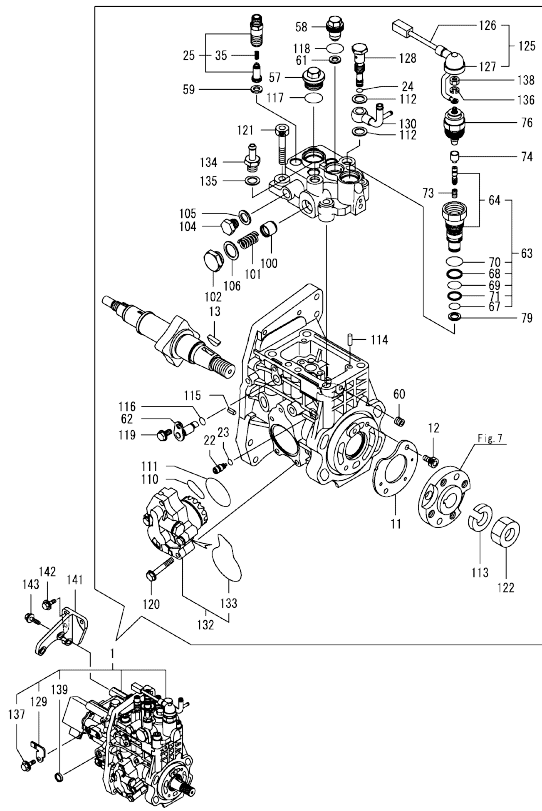
(D)=  
(E)=  
(F)=

No.	Lev.	Parts No.	Description	Q'ty						I	R
				(A)	(B)	(C)	(D)	(E)	(F)		
1	1	729927-51420	FIE ASSY	1							1
11	2	129928-51900	COVER, OIL	1							
12	2	129008-51920	BOLT, M6X10	2							
13	2	144626-51090	KEY, FEATHER 5X19	1							
22	2	158600-51270	STOPPER, TAPPET	1							
23	2	158563-51281	O-RING, 4D S6	1							
24	2	158563-51281	O-RING, 4D S6	1							
25	2	129927-51390	VALVE ASSY, DELIVERY	4							
35	3	158563-51330	SPRING, DELIVERY	4							
57	2	158601-51550	PLUG, M22	1							
58	2	129907-51560	PLUG, M16	1							
59	2	158552-51571	GASKET, BARREL PLUG	4							
60	2	158557-51570	PLUG, RACK	1							
61	2	129906-51580	GASKET, BARREL PLUG	1							
62	2	158552-51580	LIFTER, LINK	1							
63	2	129657-51590	TIMER ASSY	1							
64	3	129657-51600	TIMER ASSY	1							
67	3	158553-51670	O-RING, PUMP TIMER	1							
68	3	119802-51680	RING, BACKUP	1							
69	3	119802-51690	O-RING, 1016	1							
70	3	24356-190200	O-RING, 4D19020	1							
71	3	24372-000150	RING, BACK UP T2P15	1							
73	2	119852-51630	SPRING, TIMER	1							
74	2	119852-51640	CAP, TIMER	1							
76	2	119852-51650	VALVE ASSY, SOLENOID	1							
79	2	158553-51680	GASKET, TIMER	1							
100	2	158601-51770	PISTON, ACCUMULATOR	1							
101	2	158552-51781	SPRING, ACCUMULATOR	1							
102	2	158601-51790	PLUG, ACCUMULATOR	1							
104	2	158553-51930	PLUG, M12	1							
105	2	22190-120002	WASHER, SEAL 12	1							
106	2	22190-180002	WASHER, SEAL 18	1							
110	2	158552-52311	O-RING, FEED PUMP	1							
111	2	158552-52400	O-RING, 4E S42	1							
112	2	22190-120002	WASHER, SEAL 12	2							
113	2	22217-180000	WASHER, SPRING 18	1							
114	2	22312-050140	PIN, PARALLEL 5X14	2							
115	2	22351-050010	PIN, SPRING 5.0X10	2							
116	2	24311-000070	O-RING, 1AP7.0	1							
117	2	24356-190200	O-RING, 4D19020	1							
118	2	24356-240210	O-RING, 4D24021	1							
119	2	26106-060102	BOLT, M6X 10 PLATED	1							
120	2	26106-060352	BOLT, M6X 35 PLATED	4							
121	2	26450-100452	BOLT, M10X 45	4							
122	2	26776-180002	NUT, LOCK M18	1							
125	2	129927-51650	HARNES ASSY, WIRE	1							
126	3	129927-51660	HARNES	1							
127	3	129263-77941	CAP, RUBBER	1							
128	2	158601-51650	JOINT, OVERFLOW	1							
129	2	129927-51670	BRACKET	1							
130	2	158552-51670	JOINT, OVERFLOW	1							

Remarks

(1)Governor(Fig.12) is incorporated in this Fuel Injection Pump(No.1).  
(1)Eco pump  
Make sure to update the engines ECU information when replacing the Eco pump.  
Failing to do so will result in engine malfunction.

Fig.11. FUEL INJECTION PUMP



(A)=4TNV98-ZCSLYB  
(B)=  
(C)=

(D)=  
(E)=  
(F)=

No.	Lev.	Parts No.	Description	Q'ty						I	R
				(A)	(B)	(C)	(D)	(E)	(F)		
132	2	158552-52100	PUMP ASSY, FUEL FEED	1							
133	3	158552-52500	O-RING, PUMP INNER	1							
134	2	119934-59910	JOINT, PIPE	1							
135	2	22190-120002	WASHER, SEAL 12	1							
136	2	22217-050000	WASHER, SPRING 5	1							
137	2	26106-060122	BOLT, M6X 12 PLATED	1							
138	2	26716-050002	NUT, M5	1							
139	2	27241-160000	PLUG, 16	1							
141	1	129927-51250	RETAINER, FUEL PUMP	1							
142	1	26106-080202	BOLT, M8X 20 PLATED	3							
143	1	26106-080302	BOLT, M8X 30 PLATED	3							

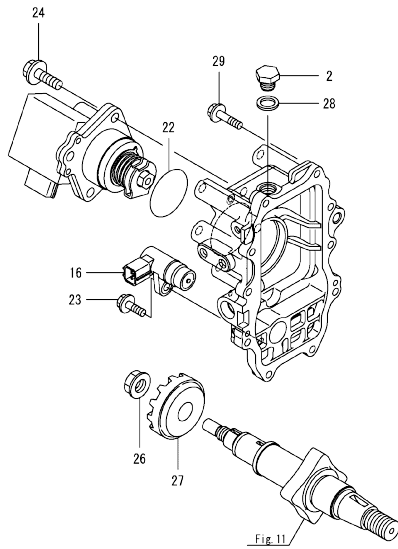
Remarks

(1)Governor(Fig.12) is incorporated in this Fuel Injection Pump(No.1).  
(1)Eco pump  
Make sure to update the engines ECU information when replacing the Eco pump.  
Failing to do so will result in engine malfunction.



OCD50-M03840 ENGINE  
 Fig.12. GOVERNOR

OCD50-M03840 Fig.12



(A)=4TNV98-ZCSLYB  
 (B)=  
 (C)=

(D)=  
 (E)=  
 (F)=

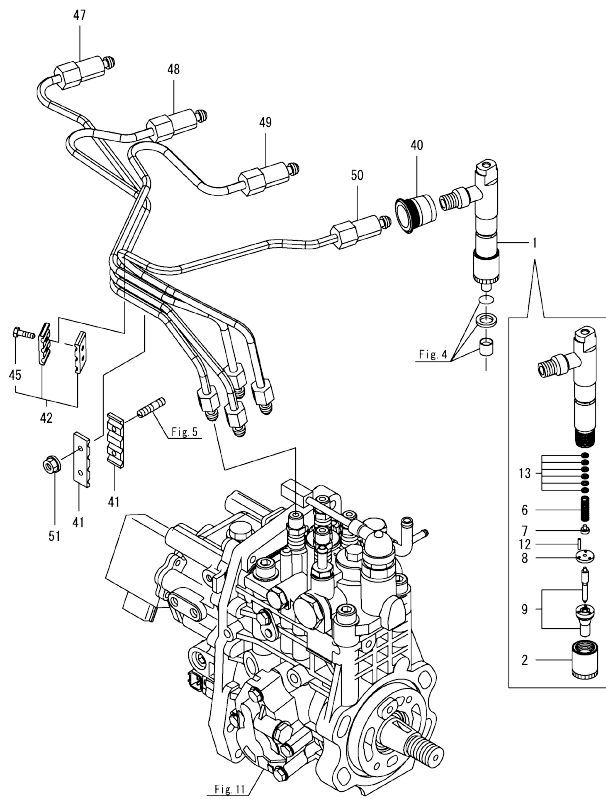
No.	Lev.	Parts No.	Description	Q'ty						I	R
				(A)	(B)	(C)	(D)	(E)	(F)		
2	2	158553-51930	PLUG, M12	1							
16	2	158557-61720	SENSOR, ROTATION	1							
22	2	24341-000480	O-RING, 1AS48.0	1							
23	2	26106-060162	BOLT, M6X 16 PLATED	1							
24	2	26106-080252	BOLT, M8X 25 PLATED	3							
26	2	129008-61301	NUT, SUPPORT	1							
27	2	158553-61780	GEAR, SENSOR	1							
28	2	22190-120002	WASHER, SEAL 12	1							
29	2	26106-060252	BOLT, M6X 25 PLATED	10							

Remarks

\* This figure(Governor) is incorporated in the Fuel Injection Pump(Fig.11).

N:Old  $\frac{100}{100}$  New, Q:Old  $\frac{100}{100}$  New, R:Old  $\frac{100}{100}$  New, S:Old  $\frac{100}{100}$  New, W:Add, Z:Discontinued, F:Interchangeable by set, K:Q'ty Change  
 Copyright (C) 2018 YANMAR GLOBAL CS CO., LTD. All Rights Reserved.

Fig.13. FUEL INJECTION VALVE



(A)=4TNV98-ZCSLYB  
(B)=  
(C)=

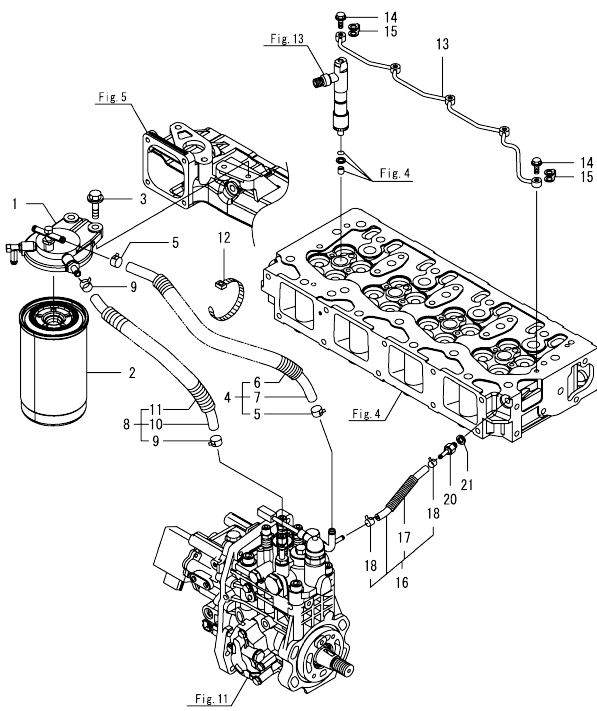
(D)=  
(E)=  
(F)=

No.	Lev.	Parts No.	Description	Q'ty						I	R
				(A)	(B)	(C)	(D)	(E)	(F)		
1	1	729927-53200	VALVE ASSY,INJECTION	4							
2	2	114250-53080	NUT, NOZZLE	4							
6	2	114250-53120	SPRING, NOZZLE	4							
7	2	114250-53130	SEAT, SPRING	4							
8	2	114250-53140	SPACER, VALVE STOP	4							
9	2	129927-53200	VALVE ASSY,INJECTION	4							
12	2	114250-53210	PIN, POSITIONING	8							
13	2	119803-53400	SHIM SET	4							1
40	1	123907-11601	SEAL, PIPE	4							
41	1	123472-59120	RETAINER, PIPE	2							
42	1	129150-59120	RETAINER, PIPE	1							
45	2	129150-59131	BOLT, M4X14	2							
47	1	129927-59810	PIPE ASSY, INJECTION	1							
48	1	129927-59820	PIPE ASSY, INJECTION	1							
49	1	129927-59830	PIPE ASSY, INJECTION	1							
50	1	129927-59840	PIPE ASSY, INJECTION	1							
51	1	26366-060002	NUT, M6	2							

Remarks  
(1)Spare parts.

OCD50-M03840 ENGINE  
 Fig.14. FUEL PIPE

OCD50-M03840 Fig.14



(A)=4TNV98-ZCSLYB  
 (B)=  
 (C)=

(D)=  
 (E)=  
 (F)=

No.	Lev.	Parts No.	Description	Q'ty						I	R
				(A)	(B)	(C)	(D)	(E)	(F)		
1	1	129004-55612	BRACKET, FILTER	1							
2	1	129907-55801	FILTER, FUEL	1							
3	1	26106-080302	BOLT, M8X 30 PLATED	2							
4	1	129457-59010	HOSE ASSY, FUEL	1							
5	2	124766-59050	CLAMP, HOSE 11.5	2							
6	2	129957-59120	TUBE, CORRUGATED 15	1							
7	2	105025-59750	HOSE, FUEL	1							
8	1	129961-59310	HOSE ASSY, FUEL	1							
9	2	124766-59050	CLAMP, HOSE 11.5	2							
10	2	129136-59110	HOSE, D13/7.5X270	1							
11	2	129961-59110	TUBE, CORRUGATED 15	1							
12	1	121750-59890	BAND, NYLON	1							
13	1	129907-59140	PIPE ASSY, RETURN	1							
14	1	123907-59540	BOLT, PIPE JOINT M6	5							
15	1	123907-59550	GASKET, FUEL RETURN	5							
16	1	129927-59550	HOSE ASSY RETURN	1							
17	2	129263-49750	TUBE, CORRUGATED	1							
18	2	124722-59050	CLAMP, HOSE 9	2							
20	1	123907-59560	JOINT, HOSE	1							
21	1	22190-080002	WASHER, SEAL 8	1							

Fig.15. STARTER MOTOR

(A)=4TNV98-ZCSLYB  
(B)=  
(C)=

(D)=  
(E)=  
(F)=

No.	Lev.	Parts No.	Description	Q'ty						I	R
				(A)	(B)	(C)	(D)	(E)	(F)		
1	1	129908-77010	STARTER,12V-3.0KW	1							
2	1	26106-120252	BOLT, M12X 25 PLATED	2							

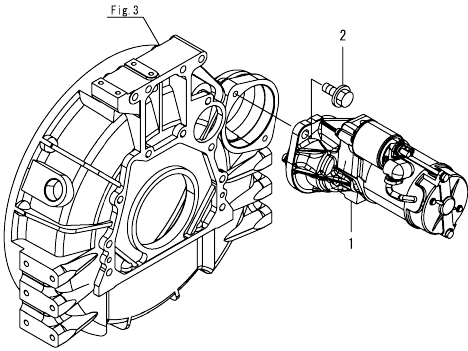
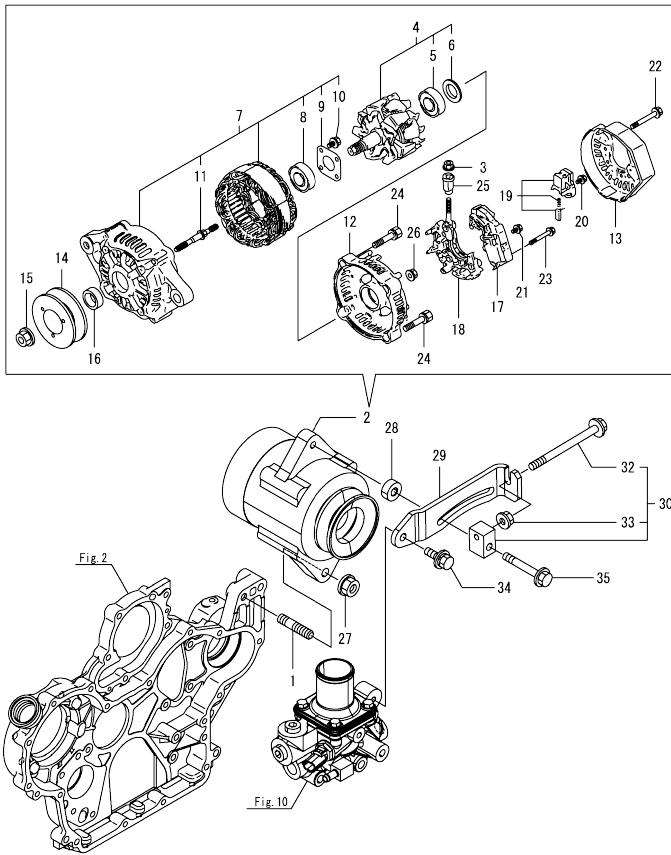


Fig.16. GENERATOR

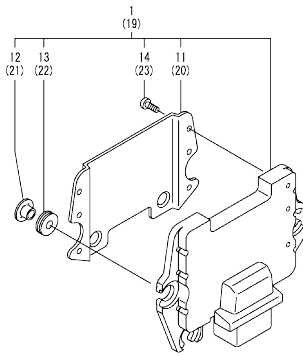


(A)=4TNV98-ZCSLYB  
(B)=  
(C)=

(D)=  
(E)=  
(F)=

No.	Lev.	Parts No.	Description	Q'ty						I	R
				(A)	(B)	(C)	(D)	(E)	(F)		
1	1	129795-01900	BOLT, M10X30	1							
2	1	123951-77210	ALTERNATOR, 12V-55A	1							
3	2	X9490561001	NUT	1							
4	2	129052-77380	ROTOR ASSY	1							
5	3	123501-79240	BEARING, BALL	1							
6	3	119620-79250	COVER, BEARING	1							
7	2	129052-77422	FRAME ASSY	1							
8	3	119620-79200	BEARING, BALL	1							
9	3	119620-79210	PLATE, RETAINER	1							
10	3	119620-79220	SCREW	4							
11	3	119620-79230	STUD	2							
12	2	128401-77440	COVER, END	1							
13	2	119626-77450	COVER, END	1							
14	2	123950-77450	V-PULLEY	1							
15	2	119620-77470	NUT	1							
16	2	119620-77490	COLLAR	1							
17	2	129423-77720	REGULATOR ASSY	1							
18	2	129052-79260	HOLDER ASSY	1							
19	2	129052-79270	HOLDER ASSY, BRUSH	1							
20	2	119620-79290	SCREW	6							
21	2	119620-79300	SCREW	1							
22	2	119620-79310	BOLT	3							
23	2	119620-79320	SCREW, W/WASHER	2							
24	2	119620-79330	BOLT	2							
25	2	119620-79340	BUSH, INSULATION	1							
26	2	119620-79350	NUT	2							
27	1	26306-100002	NUT, M10	1							
28	1	119940-77270	SPACER, GENERATOR	1							
29	1	129906-77300	ADJUSTER, BELT	1							
30	1	119624-77351	BLOCK ASSY, ADJUSTER	1							
32	2	26106-081004	BOLT, M8X100 PLATED	1							
33	2	26306-080002	NUT, M8	1							
34	1	26014-080252	BOLT, M8X 25	1							
35	1	26106-080552	BOLT, M8X 55 PLATED	1							

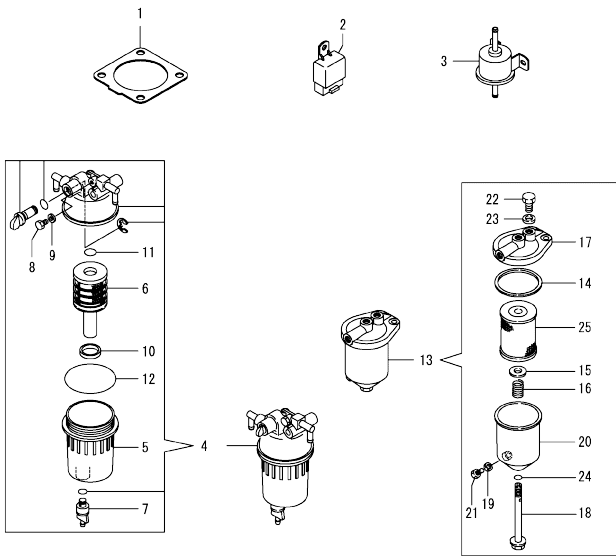
Fig.17. ELECTRONIC CONTROL UNIT(ECU)



No.	Lev.	Parts No.	Description	Q'ty						I	R
				(A)	(B)	(C)	(D)	(E)	(F)		
1	1	129923-75150	ECU ASSY,4V98-ZCSLY	1							1
11	2	129927-77600	SHIELD, ECU	1							
12	2	129927-77680	COLLAR, CONTROLLER	3							
13	2	119578-91351	RUBBER, CONTROLLER	3							
14	2	22877-500080	SCREW, 5X 8	6							
19	1	129927-75901	ECU ASSY, SERVICE	1							2
20	2	129927-77600	SHIELD, ECU	1							
21	2	129927-77680	COLLAR, CONTROLLER	3							
22	2	119578-91351	RUBBER, CONTROLLER	3							
23	2	22877-500080	SCREW, 5X 8	6							

Remarks  
 (1)Eco ECU  
 This part cannot be ordered.  
 Replace the part using a Service ECU with the proper engine information installed.  
 (2)Service ECU  
 If the proper information is not installed, the engine will not operate.  
 To install proper information, go to an authorized distributor.

Fig.18. ACCESSORY



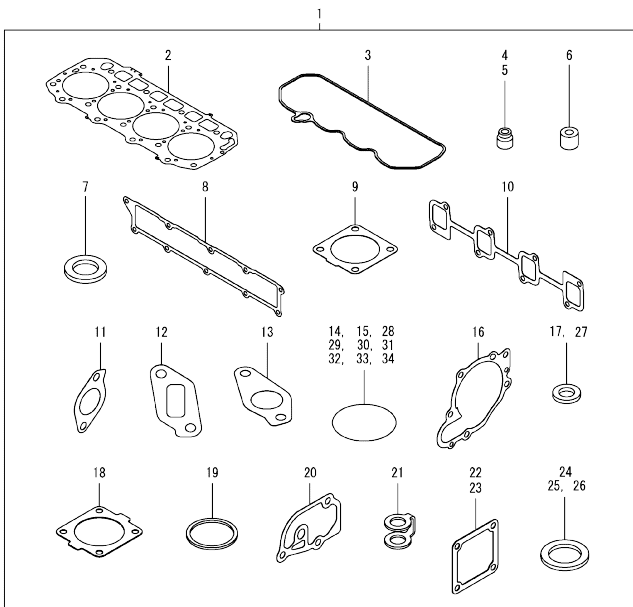
(A)=4TNV98-ZCSLYB  
(B)=  
(C)=

(D)=  
(E)=  
(F)=

No.	Lev.	Parts No.	Description	Q'ty						I	R
				(A)	(B)	(C)	(D)	(E)	(F)		
1	1	129930-13201	GASKET, SILENCER	1							
2	1	172B02-17150	RELAY, CA TYPE C	2							
3	1	129612-52100	PUMP, FUEL FEED	1							
4	1	129242-55711	SEPARATOR ASSY,WATER	1							
5	2	129242-55720	CUP, SEPARATOR	1							
6	2	129242-55730	ELEMENT, FUEL FILTER	1							
7	2	129242-55740	PLUG, DRAIN	1							
8	2	129242-55750	VALVE, AIR VENT	1							
9	2	129242-55760	GASKET, PLUG	1							
10	2	129242-55770	FLOAT	1							
11	2	24311-000160	O-RING, 1AP16.0	1							
12	2	24321-000750	O-RING, 1AG75.0	1							
13	1	129065-55750	SEPARATOR ASSY,WATER	1							
14	2	123325-35140	GASKET, COVER	1							
15	2	123325-35160	SEAT, SPRING	1							
16	2	129065-55170	SPRING, FILTER	1							
17	2	129495-55610	BODY, STRAINER	1							
18	2	129495-55620	BOLT, CENTER	1							
19	2	123672-55760	GASKET	1							
20	2	129065-55760	CASE, SEPARATOR	1							
21	2	129065-55770	PLUG, DRAIN M8	1							
22	2	129065-55800	PLUG, M14	1							
23	2	123678-55890	GASKET, PLUG	1							
24	2	24311-000120	O-RING, 1AP12.0	1							
25	2	41650-550800	ELEMENT, FUEL	1							
26	1	119595-59300	PROTECTOR	2							
27	1	129927-77690	WASHER, ECU	3							
28	1	129927-77920	RELAY, ISO 70A	1							
29	1	129927-77920	RELAY, ISO 70A	1							
30	1	129927-91040	HARNESS, WIRE	1							Z

(A=E177105)

Fig.19. GASKET SET



(A)=4TNV98-ZCSLYB  
(B)=  
(C)=

(D)=  
(E)=  
(F)=

No.	Lev.	Parts No.	Description	Qty						I	R	
				(A)	(B)	(C)	(D)	(E)	(F)			
1	1	129922-92610	GASKET SET	1							1	
2	2	129907-01331	GASKET, HEAD	1								
3	2	129933-11310	GASKET, BONNET	1								
4	2	119803-11340	SEAL, VALVE STEM	8								
5	2	124160-11340	SEAL, VALVE STEM	8								
6	2	119802-11870	PROTECTOR, NOZZLE	4								
7	2	119625-11880	SEAT, NOZZLE	4								
8	2	129907-12110	GASKET, MANIFOLD	1								
9	2	129930-13201	GASKET, SILENCER	2								
10	2	129900-13251	GASKET, MANIFOLD	1								
11	2	129927-13810	GASKET, EGR PIPE	1								
12	2	129927-13910	GASKET, EGR	1								
13	2	129927-13920	GASKET, EGR	1								
14	2	129900-32030	O-RING, P20	2								
15	2	129900-32040	O-RING, P14	1								
16	2	129900-42020	GASKET, WATER PUMP	1								
17	2	124465-44950	GASKET, 16	2								
18	2	121850-49540	GASKET, THERMOSTAT	1								
19	2	121850-49550	GASKET, THERMOSTAT	1								
20	2	129900-49870	GASKET, THERMOSTAT	1								
21	2	123907-59550	GASKET, FUEL RETURN	5								
22	2	119129-77020	GASKET, AIR HEATER	2								
23	2	121850-77021	GASKET, AIR HEATER	1								
24	2	22190-080002	WASHER, SEAL 8	7								
25	2	22190-120002	WASHER, SEAL 12	1								
26	2	22190-220002	WASHER, SEAL 22	1								
27	2	23414-080000	GASKET, 8X1.0	1								
28	2	24311-000070	O-RING, 1AP7.0	1								
29	2	24311-000120	O-RING, 1AP12.0	8								
30	2	24311-000320	O-RING, 1AP32.0	2								
31	2	24321-000600	O-RING, 1AG60.0	1								
32	2	24341-000240	O-RING, 1AS24.0	1								
33	2	24341-000530	O-RING, 1AS53.0	1								
34	2	24351-030750	O-RING, 1A3075	1								

Remarks

(1)Optional parts.



## Parts No. Index

Parts No.	Fig. No.	Ref. No.
105025-59750	14	7
114250-53080	13	2
114250-53120	13	6
114250-53130	13	7
114250-53140	13	8
114250-53210	13	12
119000-35140	9	18
119005-35151	9	49
119005-77051	5	9
119129-77020	5	7
	19	22
119129-77520	5	10
119131-18320	6	3
119309-01810	1	29
119578-91351	17	13
	22	
119593-11301	4	27
119595-59300	18	26
119620-01750	3	3
119620-11180	4	12
119620-77470	16	15
119620-77490	16	16
119620-79200	16	8
119620-79210	16	9
119620-79220	16	10
119620-79230	16	11
119620-79250	16	6
119620-79290	16	20
119620-79300	16	21
119620-79310	16	22
119620-79320	16	23
119620-79330	16	24
119620-79340	16	25
119620-79350	16	26
119624-77351	16	30
119625-11880	4	23
	19	7
119626-77450	16	13
119640-01640	3	7
119640-61400	4	58
119761-39450	9	37
119802-11870	4	22
	19	6
119802-51680	11	68
119802-51690	11	69
119803-11340	4	13
	19	4
119803-53400	13	13
119852-51630	11	73
119852-51640	11	74

Parts No.	Fig. No.	Ref. No.
119852-51650	11	76
119934-59910	11	134
119940-77270	16	28
120130-22301	8	23
121450-42450	10	36
121750-59890	14	12
121850-21130	8	11
121850-21290	8	4
121850-21920	8	5
121850-49540	10	23
	19	18
121850-49550	10	25
	19	19
121850-49811	10	26
121850-77021	5	8
	19	23
123325-35140	18	14
123325-35160	18	15
123472-59120	13	41
123501-79240	16	5
123672-55760	18	19
123678-55890	18	23
123900-25060	7	9
123900-44732	10	16
123907-03100	4	52
123907-03110	4	53
123907-03140	4	55
123907-11280	4	32
123907-11550	4	1
123907-11601	13	40
123907-11820	4	19
123907-11830	4	18
123907-39500	9	40
123907-59540	14	14
123907-59550	14	15
	19	21
123907-59560	14	20
123910-44771	10	17
123950-77450	16	14
123951-77210	16	2
123957-42451	10	14
124160-01751	2	25
	4	47
124160-11340	4	14
	19	5
124160-11360	4	63
124465-44950	10	37
	19	17
124722-59050	14	18
124766-59050	3	10

Parts No.	Fig. No.	Ref. No.
124766-59050	14	5
		9
128401-77440	16	12
129004-55612	14	1
129005-59830	9	42
129008-51920	11	12
129008-61301	12	26
129052-77380	16	4
129052-77422	16	7
129052-79260	16	18
129052-79270	16	19
129065-55170	18	16
129065-55750	18	13
129065-55760	18	20
129065-55770	18	21
129065-55800	18	22
129100-01580	2	1
	3	1
129100-35140	9	8
129136-59110	14	10
129150-02450	7	4
129150-11230	4	35
	39	
129150-11750	4	17
	36	
	40	
129150-14200	7	1
129150-59120	13	42
129150-59131	13	45
129238-35111	9	3
129238-39100	9	21
129242-55711	18	4
129242-55720	18	5
129242-55730	18	6
129242-55740	18	7
129242-55750	18	8
129242-55760	18	9
129242-55770	18	10
129263-13210	6	5
129263-49750	14	17
129263-77941	11	127
129418-18320	6	4
129423-77720	16	17
129457-59010	14	4
129495-55610	18	17
129495-55620	18	18
129612-52100	18	3
129657-51590	11	63
129657-51600	11	64
129795-01900	16	1

Parts No.	Fig. No.	Ref. No.
129900-01200	1	27
129900-01250	1	4
129900-01850	2	34
129900-01870	2	35
129900-02020	1	6
129900-02410	1	9
129900-13251	6	6
	19	10
129900-14100	7	6
129900-21200	8	3
129900-21600	8	14
129900-23001	8	25
129900-23200	8	28
129900-23911	8	31
129900-32001	2	4
129900-32003	2	16
	9	30
	19	14
129900-32040	2	17
	19	15
129900-42020	10	1
	19	16
129900-49870	10	31
	19	20
129902-21000	8	1
129906-51580	11	61
129906-77300	16	29
129907-01331	1	28
	19	2
129907-03011	4	49
129907-03061	4	50
129907-03070	4	51
129907-07900	4	66
129907-11100	4	9
129907-11110	4	10
129907-11120	4	11
129907-11250	4	29
129907-11260	4	30
129907-11270	4	31
129907-11341	4	28
129907-11510	4	15
129907-11650	4	33
129907-11660	4	37
129907-11800	4	68
129907-11910	4	24
129907-11920	4	41
129907-11950	4	25
129907-12110	5	1
	19	8
129907-14400	7	2

## Parts No. Index

Parts No.	Fig. No.	Ref. No.	Parts No.	Fig. No.	Ref. No.	Parts No.	Fig. No.	Ref. No.	Parts No.	Fig. No.	Ref. No.
129907-25900	7	15	129927-59550	14	16	158552-52311	11	110	23080-012000	10	41
129907-51560	11	58	129927-59810	13	47	158552-52400	11	111			45
129907-55801	14	2	129927-59820	13	48	158552-52500	11	133	23414-080000	10	32
129907-59140	14	13	129927-59830	13	49	158553-51670	11	67		19	27
129908-14581	7	3	129927-59840	13	50	158553-51680	11	79	23857-030000	9	44
129908-77010	15	1	129927-75901	17	19	158553-51930	11	104	23875-030000	10	29
129916-01790	3	6	129927-77600	17	11		12	2	23876-020000	4	6
129916-01800	2	33			20	158553-61780	12	27	23876-030000	1	12
129916-21590	8	12	129927-77680	17	12	158557-51570	11	60			13
129916-21610	8	7			21	158557-61720	12	16			14
129916-49530	10	22	129927-77690	18	27	158563-51150	7	17		4	7
129922-03120	4	54	129927-77920	18	28	158563-51281	11	23	24311-000070	2	19
129922-11320	4	48			29			24		11	116
129922-92610	19	1	129927-91040	18	30	158563-51330	11	35		19	28
129923-35200	9	24	129928-13900	6	13	158600-51270	11	22	24311-000120	4	26
129923-75150	17	1	129928-51900	11	11	158601-51550	11	57			64
129926-35130	9	5	129930-13201	18	1	158601-51650	11	128		18	24
129927-02340	1	33		19	9	158601-51770	11	100		19	29
129927-02930	1	24	129933-11310	4	57	158601-51790	11	102	24311-000160	18	11
129927-02940	1	36		19	3	171051-01921	1	5	24311-000320	2	26
129927-11700	4	2	129938-01500	2	3	171056-49120	10	35		4	65
129927-12100	5	3	129944-21650	8	8	172B02-17150	18	2		19	30
129927-12150	5	2	129948-42110	10	2	175339-79700	4	59	24314-000200	9	26
129927-13101	6	2	129949-35200	9	19	198220-51870	9	25	24321-000600	9	27
129927-13150	6	1	129951-01740	2	27	22190-080002	9	43		19	31
129927-13800	6	9	129953-25300	7	14			45	24321-000750	18	12
129927-13810	6	10	129953-35000	9	31			47	24341-000240	19	32
	19	11	129953-39500	9	14			21	24341-000480	12	22
129927-13910	6	14			20			19	24341-000530	19	33
	19	12	129953-39501	9	14	22190-120002	10	28	24351-030750	2	20
129927-13920	6	15			20			11		19	34
	19	13	129956-33110	9	2			112	24356-190200	11	70
129927-22050	8	17	129957-59120	14	6			135			117
129927-22080	8	15	129960-21930	8	9		12	28	24356-240210	11	118
129927-23600	8	29	129960-21940	8	10		19	25	24372-000150	11	71
129927-23610	8	32	129961-59110	14	11	22190-180002	11	106	26014-080252	16	34
129927-25100	7	10	129961-59310	14	8	22190-220002	3	12	26106-060102	11	119
129927-25920	7	16	129981-01600	3	2		19	26	26106-060122	4	62
129927-39060	9	38	129C20-42290	10	15	22217-050000	11	136		11	137
129927-42140	2	18	129E00-13650	6	7	22217-180000	11	113	26106-060162	12	23
129927-44900	10	20	129E20-01700	3	8	22252-000300	8	24	26106-060202	10	30
129927-49610	10	38	129E20-34871	9	1	22312-050140	11	114	26106-060252	12	29
129927-49620	10	42	129E20-59500	3	9	22351-050010	11	115	26106-060302	10	12
129927-49800	10	19	129E23-39100	9	22	22351-060012	1	11	26106-060352	11	120
129927-51250	11	141	144626-51090	11	13	22512-070140	7	7		3	13
129927-51390	11	25	158552-51571	11	59		8	6		9	36
129927-51650	11	125	158552-51580	11	62	22857-500100	4	60			46
129927-51660	11	126	158552-51670	11	130			61			48
129927-51670	11	129	158552-51781	11	101	22877-500080	17	14		10	33
129927-53200	13	9	158552-52100	11	132			23	26106-080142	7	8

## Parts No. Index

Parts No.	Fig. No.	Ref. No.
26106-080162	2	21
		36
	4	67
26106-080202	9	28
	2	22
		28
26106-080252	11	142
	12	24
26106-080302	11	143
	14	3
26106-080402	2	37
	4	43
	5	11
26106-080452	2	23
		29
26106-080552	5	5
	7	13
	10	13
26106-080602	16	35
	4	44
		45
26106-080702	10	34
	2	38
26106-080752	2	30
26106-080802	5	6
26106-080902	5	12
26106-081004	16	32
26106-100302	6	11
		16
	9	29
26106-100702	10	18
26106-100952	6	17
26106-120252	15	2
26206-100352	3	4
26206-100702	3	5
26216-060202	5	4
26216-100302	2	15
26226-080222	4	42
26306-080002	4	46
	6	8
26306-100002		12
	16	33
	2	24
26366-060002	16	27
	13	51
26450-100452	11	121
26716-050002	11	138
26776-180002	11	122
27241-160000	11	139
27241-300000	1	10

Parts No.	Fig. No.	Ref. No.
27241-400000	4	8
27310-070001	4	20
41650-550800	18	25
729907-01559	2	31
729927-01560	1	1
729927-02800	1	30
729927-22900	8	34
729927-22950	8	36
729927-51420	11	1
729927-53200	13	1
X9490561001	16	3

Parts No.	Fig. No.	Ref. No.
-----------	----------	----------

Parts No.	Fig. No.	Ref. No.
-----------	----------	----------