

0CW10-M44400EN

# P R E F A C E

1. This parts catalog is the 1st edition of 4TNV98-ZGGE, 4TNV98-ZGSEC, 4TNV98-ZGSEH, 4TNV98-ZGSET.

Pub. No. : 0CW10-G44400

Published : July, 2008

2. Model name

Engine model	Vehicle	Vehicle made by
4TNV98-ZGGE 4TNV98-ZGSEC 4TNV98-ZGSEH 4TNV98-ZGSET	GENERATOR	—

## Directions for the Parts Catalog.

1. The parts stipulated in this Parts Catalog are not necessarily standard equipped parts.
2. Parts may change without prior notice.
3. The following is an example of the Parts Catalog format.

REF.	LEV.	PARTS NO.	DESCRIPTION	Q'TY						I	R
				(A)	(B)	(C)	(D)	(E)	(F)		
1	1	729595-51390	FUEL INJECTION PUMP	1	1	1	1	1			1
1-1	1	729595-51391	FUEL INJECTION PUMP	1	1	1	1	1		N	1
		(A=E00185) (B=E00200)									
3	2	26022-060162	SCREW M 6X 16	9	9	9	9	9			
3-1	2	26022-060162	SCREW M 6X 16	4	4	4	4	4		K	
		(A=E00156) (B=E00156) (C=E00156) (D=E00156) (E=E00156)									
4	2	129470-51040	CAMSHAFT	1	1	1	1	1			
5	2	122710-51050	BEARING, ROLLER	2	2	2	2	2			
6	2	129470-51060	RETAINER	1	1	1	1	1			

Remarks
(1) BOOST COMPEMSATOR TYPE. OPTIONAL PART, TO E00155,(4JH-DT, 4JH-DTZ

### ① Ref. No.

The Ref. No. listed may not be in accordance with the illustration Ref. No.

(Ex.) Illustration No.

List Ref No.

1 1 (Before change) → 1-1 (After change)

For interchangeable symbols N, R and K, illustrations for new parts may be abbreviated.

### ② Lev. (Level)

Level indication

The numbers below indicate the level of relativity towards the main part.

1 ---- Main parts (Assembly parts)

2 ---- Sub component included in " 1 ".

3 ---- Sub component included in " 2 ".

Note) Parts that are not for sale are partially illustrated but not listed.

### ③ Interchangeability Mark

When a part change takes place, one of the following interchangeability symbols is indicated beside the part.

Symbol	Interchangeability	Contents note
N	Old $\begin{matrix} \leftarrow \text{Yes} \\ \text{No} \rightarrow \end{matrix}$ New	New Part is interchangeable for Old Part but Old Part is not interchangeable for New Part.
Q	Old $\begin{matrix} \leftarrow \text{No} \\ \text{Yes} \rightarrow \end{matrix}$ New	New Part is not interchangeable for Old Part but Old Part is interchangeable for New Part.
R	Old $\begin{matrix} \leftarrow \text{Yes} \\ \text{Yes} \rightarrow \end{matrix}$ New	New/ Old Parts are both interchangeable.
S	Old $\begin{matrix} \leftarrow \text{No} \\ \text{No} \rightarrow \end{matrix}$ New	New/ Old Parts are both not interchangeable.
W		Part newly added.
Z		Part discontinued.
F		Not interchangeable by a single part but interchangeable together with related parts.
K		Changes only for used parts quantities.

### ④ Effective Machine No.

When a part changes, the effective Machine No. will be indicated in the (A)-(F) column.

Product Symbol	Product No.	Product Symbol	Product No.
C	Clutch No. Compressor No.	F	Machine No. (Agricultural Equip.)
D	Drive No.	M	Machine No.
E	Engine No.		

Note 1) A date may follow the symbol. (Ex.) 1996.01

Note 2) "XXXXX" and "ZZZZZ" are for parts that could not be predicted or for engine models that could not be identified.

Note 3) (A=E00185) is the E (Engine Serial Number) for the column (A) model (in this case 4JH-DT) after the parts design change.

### ⑤ Remarks Mark

Figures or alphabets (symbols) are entered in the remarks column.

The comments (remarks) on parts that are indicated at the bottom of the illustration are the same symbols as those stated above.

## Contents

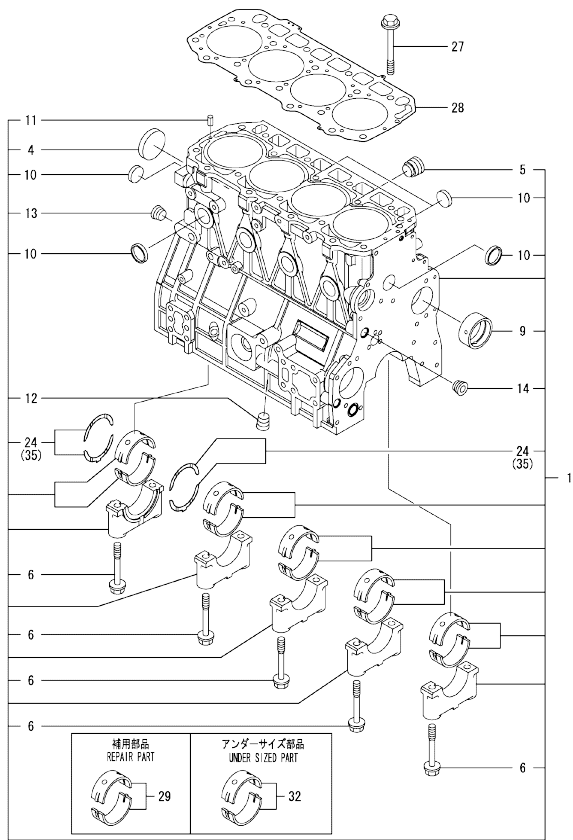
0CW10-M44400

Fig. No.	Fig. Name	Fig. No.	Fig. Name
4	TNV98-ZGGE,4TNV98-ZGGEH		
1.	CYLINDER BLOCK		
2.	GEAR HOUSING		
3.	FLYWHEEL HOUSING & OIL SUMP		
4.	CYLINDER HEAD & BONNET		
5.	SUCTION MANIFOLD & AIR CLEANER		
6.	EXHAUST MANIFOLD		
7.	CAMSHAFT & DRIVING GEAR		
8.	CRANKSHAFT & PISTON		
9.	LUB.OIL SYSTEM		
10.	COOLING WATER SYSTEM		
11.	COOLING WATER SYSTEM		
12.	FUEL INJECTION PUMP		
13.	GOVERNOR		
14.	FUEL INJECTION VALVE		
15.	FUEL LINE		
16.	STARTING MOTOR		
20.	(16A)STARTING MOTOR		
17.	GENERATOR		
18.	ELECTRONIC CONTROL UNIT (ECU)		
19.	GASKET SET		

Fig.1. CYLINDER BLOCK

(A)=4TNV98-ZGGE  
(B)=4TNV98-ZGGEH  
(C)=4TNV98-ZGGET

(D)=4TNV98-ZGGEC  
(E)=  
(F)=

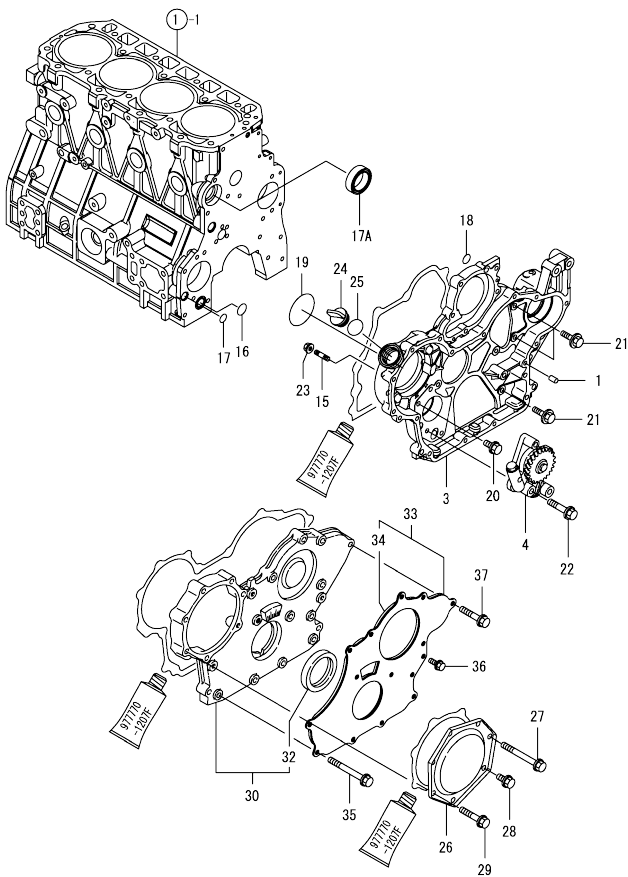


No.	Lev.	Parts No.	Description	Q'ty						I	R
				(A)	(B)	(C)	(D)	(E)	(F)		
1	1	729927-01560	BLOCK ASSY, CYLINDER	1	1	1	1				
4	2	129900-01250	PLUG, DISH TYPE 55	1	1	1	1				
5	2	171051-01921	PLUG, NPTF1	1	1	1	1				
6	2	129900-02020	BOLT, METAL CAP	10	10	10	10				
9	2	129900-02410	BUSH, CAMSHAFT	1	1	1	1				
10	2	27241-300000	PLUG 30	8	8	8	8				
11	2	22351-060012	PIN, SPRING 6.0X12	2	2	2	2				
12	2	23876-030000	PLUG, R03	1	1	1	1				
13	2	23876-030000	PLUG, R03	1	1	1	1				
14	2	23876-030000	PLUG, R03	1	1	1	1				
24	2	129900-02931	BEARING ASSY, THRUST	2	2	2	2				
27	1	129900-01200	BOLT, CYLINDER HEAD	18	18	18	18				
28	1	129907-01331	GASKET, HEAD	1	1	1	1				
29	1	729900-02801	BEARING, MAIN	5	5	5	5				1
32	1	129900-02341	BEARING ASSY, MAIN	5	5	5	5				2
35	1	129900-02941	BEARING, THRUST 0.25	2	2	2	2				3

Remarks  
(1) REPAIR PART.  
(2) UNDER-SIZED(U.S=0.25)PART.  
(3) OVER-SIZED(O.S=0.25)PART.

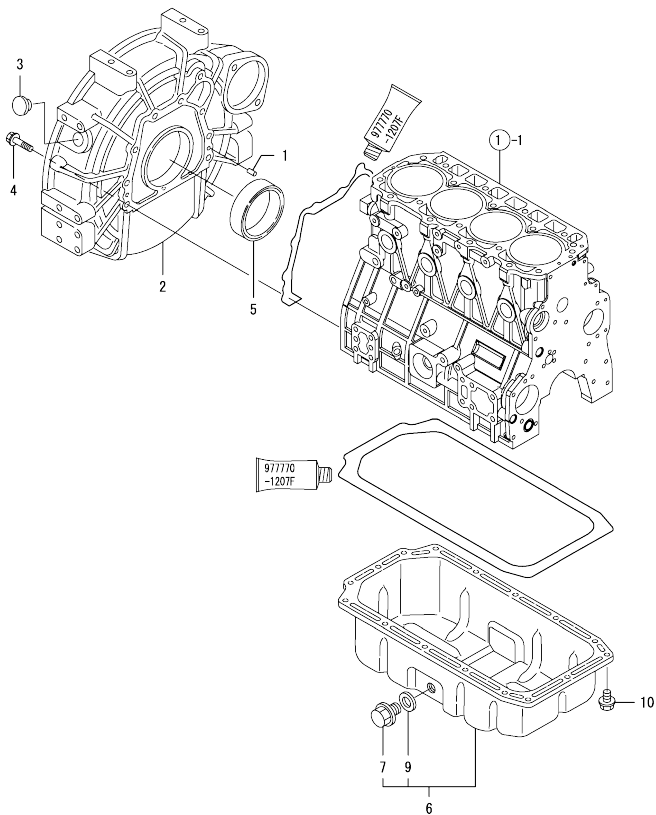
Fig.2. GEAR HOUSING

(A)=4TNV98-ZGGE  
(D)=4TNV98-ZGGEC  
(B)=4TNV98-ZGGEH  
(E)=  
(C)=4TNV98-ZGGET  
(F)=



No.	Lev.	Parts No.	Description	Qty						I	R
				(A)	(B)	(C)	(D)	(E)	(F)		
1	1	129100-01580	PIN, PARALLEL 8X16	4	4	4	4				
3	1	129944-01500	CASE, GEAR	1	1	1	1				
4	1	129900-32001	PUMP ASSY, OIL	1	1	1	1				
15	1	26216-100302	STUD, M10X 30	4	4	4	4				
16	1	129900-32030	O-RING, P20	1	1	1	1				
17	1	129900-32040	O-RING, P14	1	1	1	1				
17A	1	129927-42140	GASKET, PUMP OUTLET	1	1	1	1				W
		(A=EV4769)	(B=ET8428)	(C=ET6201)	(D=ET5419)						
18	1	24311-000070	O-RING, 1A P7.0	1	1	1	1				
19	1	24351-030750	O-RING, 1A3075	1	1	1	1				
20	1	26106-080162	BOLT, M8X 16 PLATED	1	1	1	1				
21	1	26106-080202	BOLT, M8X 20 PLATED	3	3	3	3				
22	1	26106-080452	BOLT, M8X 45 PLATED	3	3	3	3				
23	1	26306-100002	NUT, M10	4	4	4	4				
24	1	124160-01751	CAP, FILLER	1	1	1	1				
25	1	24311-000320	O-RING, 1A P32.0	1	1	1	1				
26	1	129900-01740	COVER	1	1	1	1				
27	1	129001-91810	BOLT, M8X70	1	1	1	1				
28	1	26106-080162	BOLT, M8X 16 PLATED	1	1	1	1				
29	1	26106-080402	BOLT, M8X 40 PLATED	5	5	5	5				
30	1	729907-01559	COVER ASSY, GEAR CASE	1	1	1	1				
32	2	129916-01800	SEAL, OIL	1	1	1	1				
33	1	129900-01850	COVER ASSY, GEAR CASE	1	1	1	1				
34	2	129900-01870	SPONGE, GEAR CASE	1	1	1	1				
35	1	129001-91810	BOLT, M8X70	6	6	6	6				
36	1	26106-080162	BOLT, M8X 16 PLATED	3	3	3	3				
37	1	26106-080402	BOLT, M8X 40 PLATED	5	5	5	5				

Fig.3. FLYWHEEL HOUSING & OIL SUMP



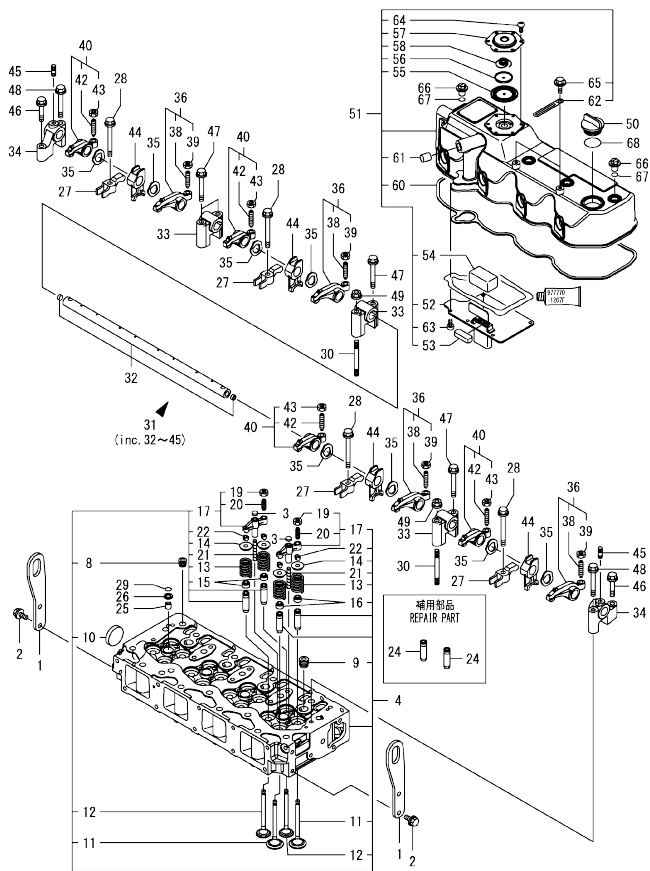
(A)=4TNV98-ZGGE  
 (B)=4TNV98-ZGGEH  
 (C)=4TNV98-ZGGET

(D)=4TNV98-ZGGEC  
 (E)=  
 (F)=

No.	Lev.	Parts No.	Description	Q'ty						I	R
				(A)	(B)	(C)	(D)	(E)	(F)		
1	1	129100-01580	PIN, PARALLEL 8X16	2	2	2	2				
2	1	129915-01610	HOUSING, FLYWHEEL	1	1	1	1				
3	1	119000-01840	PLUG, RUBBER	1	1	1	1				
4	1	26206-100352	BOLT, M10X 35 PLATED	9	9	9	9				
5	1	124411-01780	SEAL, HTC95X115X12	1	1	1	1				
6	1	129982-01710	OIL PAN ASSY	1	1	1	1				
7	2	119640-01640	PLUG, DRAIN M22	1	1	1	1				
9	2	22190-220002	WASHER, SEAL 22	1	1	1	1				
10	1	26106-080122	BOLT, M8X 12 PLATED	16	16	16	16				

0CW10-M44400 4TNV98-ZGGE,4TNV98-ZGGEH  
 Fig.4. CYLINDER HEAD & BONNET

0CW10-M44400 Fig.4



(A)=4TNV98-ZGGE  
 (B)=4TNV98-ZGGEH  
 (C)=4TNV98-ZGGET

(D)=4TNV98-ZGGE  
 (E)=  
 (F)=

No.	Lev.	Parts No.	Description	Q'ty						I	R
				(A)	(B)	(C)	(D)	(E)	(F)		
1	1	129907-07900	LIFTER, ENGINE	2	2	2	2				
2	1	26106-080162	BOLT, M8X 16 PLATED	4	4	4	4				
3	1	123907-11550	SEAT, VALVE BRIDGE	8	8	8	8				
4	1	129927-11700	HEAD ASSY, CYLINDER	1	1	1	1				
8	2	23876-020000	PLUG, R02	1	1	1	1				
9	2	23876-030000	PLUG, R03	4	4	4	4				
10	2	27241-400000	PLUG, 40	1	1	1	1				
11	2	129907-11100	VALVE, SUCTION	8	8	8	8				
12	2	129907-11110	VALVE, EXHAUST	8	8	8	8				
13	2	129907-11120	SPRING, VALVE	16	16	16	16				
14	2	119620-11180	RETAINER, SPRING	16	16	16	16				
15	2	119803-11340	SEAL, VALVE STEM	8	8	8	8				
16	2	124160-11340	SEAL, VALVE STEM	8	8	8	8				
17	2	129907-11510	BRIDGE ASSY, VALVE	8	8	8	8				
19	3	129150-11750	NUT, M8	8	8	8	8				
20	3	123907-11830	ADJUSTER	8	8	8	8				
21	2	123907-11820	GUIDE, BRIDGE	8	8	8	8				
22	2	27310-070001	COTTER, 7	16	16	16	16				
24	1	129907-11800	GUIDE, VALVE	16	16	16	16				1
25	1	119802-11870	PROTECTOR, NOZZLE	4	4	4	4				
26	1	119625-11880	SEAT, NOZZLE	4	4	4	4				
27	1	129907-11910	RETAINER, NOZZLE	4	4	4	4				
28	1	129907-11950	BOLT, M8X75	4	4	4	4				
29	1	24311-000120	O-RING, 1AP12.0	4	4	4	4				
30	1	119593-11301	BOLT, STUD M8X80	2	2	2	2				
31	1	129907-11341	SHAFT ASSY, ROCKER	1	1	1	1				
32	2	129907-11250	SHAFT, ROCKER ARM	1	1	1	1				
33	2	129907-11260	SUPPORT, ROCKER ARM	3	3	3	3				
34	2	129907-11270	SUPPORT, ROCKER ARM	2	2	2	2				
35	2	123907-11280	WASHER	8	8	8	8				
36	2	129907-11650	ARM ASSY, ROCKER	4	4	4	4				
38	3	129150-11230	SCREW, VALVE ADJUST	4	4	4	4				
39	3	129150-11750	NUT, M8	4	4	4	4				
40	2	129907-11660	ARM ASSY, ROCKER	4	4	4	4				
42	3	129150-11230	SCREW, VALVE ADJUST	4	4	4	4				
43	3	129150-11750	NUT, M8	4	4	4	4				
44	2	129907-11920	RETAINER, NOZZLE	4	4	4	4				
45	2	26226-080222	STUD, M8X 22	2	2	2	2				
46	1	26106-080402	BOLT, M8X 40 PLATED	2	2	2	2				
47	1	26106-080602	BOLT, M8X 60 PLATED	4	4	4	4				
48	1	26106-080602	BOLT, M8X 60 PLATED	2	2	2	2				
49	1	26306-080002	NUT, M8	2	2	2	2				
50	1	124160-01751	CAP, FILLER	1	1	1	1				
51	1	129927-11320	BONNET ASSY, HEAD	1	1	1	1				
52	2	129907-03011	PLATE, BAFFLE	1	1	1	1				
53	2	129907-03061	BAFFLE, BREATHER	1	1	1	1				
54	2	129907-03070	BAFFLE, BREATHER	1	1	1	1				
55	2	123907-03100	DIAPHRAGM	1	1	1	1				
56	2	123907-03110	PLATE	1	1	1	1				
57	2	123907-03120	PLATE, BREATHER	1	1	1	1				
58	2	123907-03140	SPRING, DIAPHRAGM	1	1	1	1				

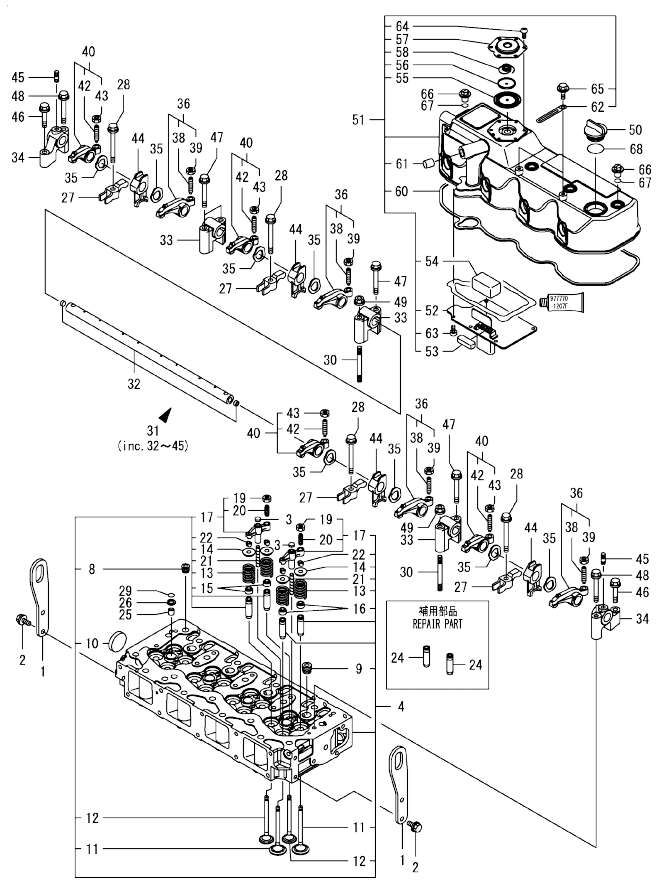
Remarks  
 (1) REPAIR PART.

N:Old  $\frac{100}{100}$  New, Q:Old  $\frac{100}{100}$  New, R:Old  $\frac{100}{100}$  New, S:Old  $\frac{100}{100}$  New, W:Add, Z:Discontinued, F:Interchangeable by set, K:Q'ty Change  
 ++ CONTINUE ++  
 Copyright (C) YANMAR GLOBAL CS CO., LTD. All Rights Reserved.



0CW10-M44400 4TNV98-ZGGE,4TNV98-ZGGEH  
 Fig.4. CYLINDER HEAD & BONNET

0CW10-M44400 Fig.4



(A)=4TNV98-ZGGE  
 (B)=4TNV98-ZGGEH  
 (C)=4TNV98-ZGGET

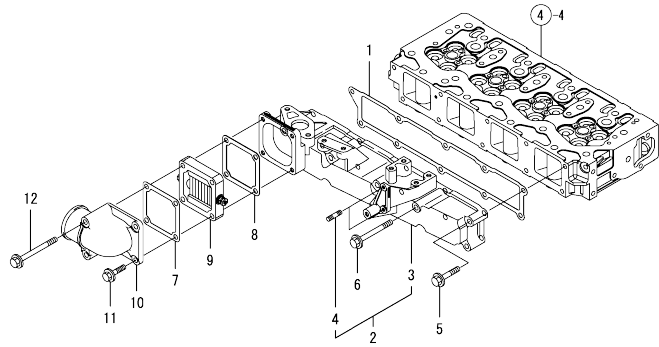
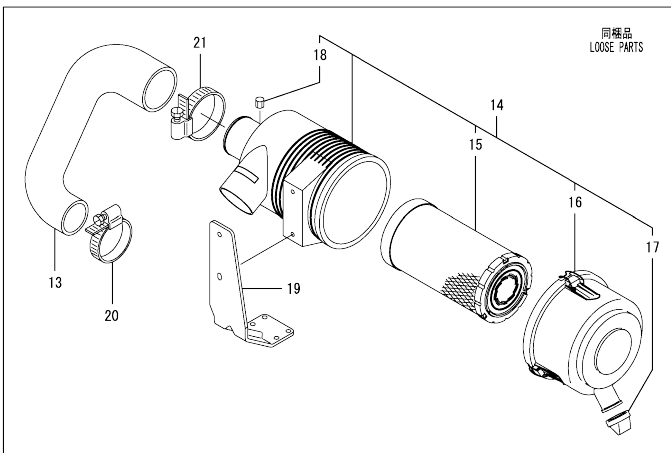
(D)=4TNV98-ZGGEC  
 (E)=  
 (F)=

No.	Lev.	Parts No.	Description	Q'ty						I	R
				(A)	(B)	(C)	(D)	(E)	(F)		
60	2	129933-11310	GASKET, BONNET	1	1	1	1				
61	2	119640-61400	PLUG	1	1	1	1				
62	2	175339-79700	CLIP	2	2	2	2				
63	2	22857-500100	SCREW, 5X10	6	6	6	6				
64	2	22857-500100	SCREW, 5X10	6	6	6	6				
65	2	26106-060122	BOLT, M6X 12 PLATED	2	2	2	2				
66	1	124160-11360	KNOB	4	4	4	4				
67	1	24311-000120	O-RING, 1AP12.0	4	4	4	4				
68	1	24311-000320	O-RING, 1AP32.0	1	1	1	1				

Remarks  
 (1) REPAIR PART.

N:Old  $\frac{100}{100}$  New, Q:Old  $\frac{100}{100}$  New, R:Old  $\frac{100}{100}$  New, S:Old  $\frac{100}{100}$  New, W:Add, Z:Discontinued, F:Interchangeable by set, K:Q'ty Change  
 Copyright (C) YANMAR GLOBAL CS CO., LTD. All Rights Reserved.

Fig.5. SUCTION MANIFOLD & AIR CLEANER



(A)=4TNV98-ZGGE  
(B)=4TNV98-ZGGEH  
(C)=4TNV98-ZGGET

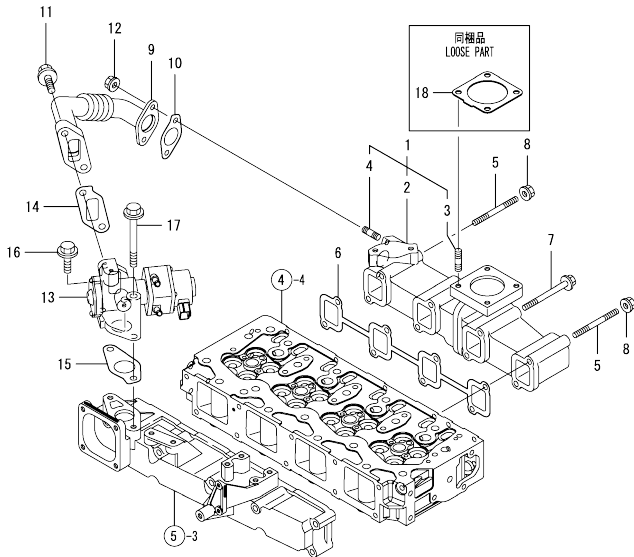
(D)=4TNV98-ZGGEC  
(E)=  
(F)=

No.	Lev.	Parts No.	Description	Q'ty						I	R
				(A)	(B)	(C)	(D)	(E)	(F)		
1	1	129907-12110	GASKET, MANIFOLD	1	1	1	1				
2	1	129927-12150	MANIFOLD ASSY,INTAKE	1	1	1	1				
3	2	129927-12100	MANIFOLD, AIR INTAKE	1	1	1	1				
4	2	26216-060202	STUD, M6X 20	2	2	2	2				
5	1	26106-080452	BOLT, M8X 45 PLATED	6	6	6	6				
6	1	26106-080802	BOLT, M8X 80 PLATED	4	4	4	4				
7	1	119129-77020	GASKET	1	1	1	1				
8	1	121850-77021	GASKET, AIR HEATER	1	1	1	1				
9	1	119005-77051	HEATER, AIR	1	1	1	1				
10	1	119129-77520	BEND	1	1	1	1				
11	1	26106-080402	BOLT, M8X 40 PLATED	2	2	2	2				
12	1	26106-080902	BOLT, M8X 90 PLATED	2	2	2	2				
13	1	129927-12060	HOSE, AIR INTAKE			1					
14	1	129933-12500	AIR CLEANER ASSY			1					
15	2	129935-12520	ELEMENT, OUTER			1					
16	2	119160-12530	COVER ASSY			1					
17	2	119160-12540	VALVE			1					
18	2	121820-12590	NIPPLE			1					
19	1	129927-12560	BRACKET, CLEANER			1					
20	1	23000-080000	CLAMP, 80			1					
21	1	23000-090000	CLAMP, 90			1					

Fig.6. EXHAUST MANIFOLD

(A)=4TNV98-ZGGE  
 (B)=4TNV98-ZGGEH  
 (C)=4TNV98-ZGGET

(D)=4TNV98-ZGGEC  
 (E)=  
 (F)=



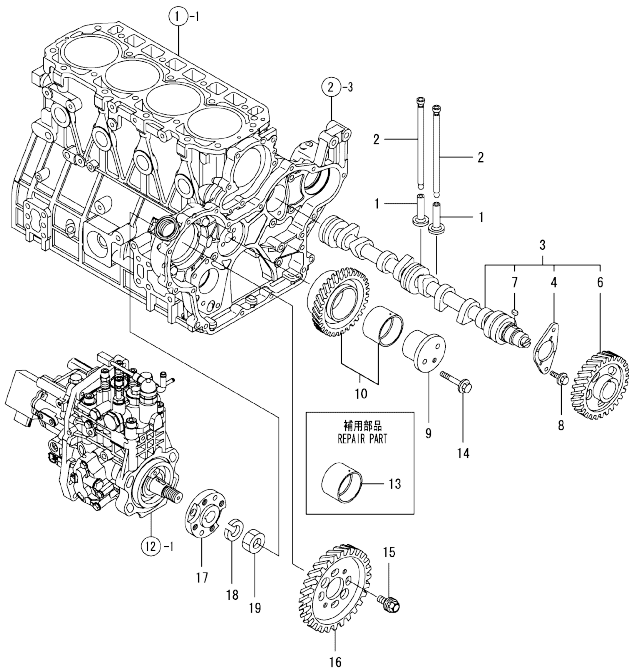
No.	Lev.	Parts No.	Description	Q'ty						I	R
				(A)	(B)	(C)	(D)	(E)	(F)		
1	1	129927-13150	MANIFOLD ASSY, EXH.	1	1	1	1				
2	2	129927-13100	MANIFOLD, EXHAUST	1	1	1	1				
3	2	119131-18320	BOLT, STUD M8X22	4	4	4	4				
4	2	129418-18320	BOLT, STUD M8X20	2	2	2	2				
5	1	129263-13210	BOLT, STUD M8X90	2	2	2	2				
6	1	129900-13251	GASKET, EXH.MANIFOLD	1	1	1	1				
7	1	119802-13680	BOLT, M8X90 10.9T	6	6	6	6				
8	1	26306-080002	NUT, M8	2	2	2	2				
9	1	129927-13800	PIPE ASSY, EGR	1	1	1	1				
10	1	129927-13810	GASKET	1	1	1	1				
11	1	26106-100302	BOLT, M10X 30 PLATED	2	2	2	2				
12	1	26306-080002	NUT, M8	2	2	2	2				
13	1	129927-13900	VALVE, EGR	1	1	1	1				
14	1	129927-13910	GASKET, EGR	1	1	1	1				
15	1	129927-13920	GASKET, EGR	1	1	1	1				
16	1	26106-100302	BOLT, M10X 30 PLATED	1	1	1	1				
17	1	26106-100952	BOLT, M10X 95 PLATED	1	1	1	1				
18	1	129930-13201	GASKET, SILENCER	1	1	1	1				

0CW10-M44400 4TNV98-ZGGE,4TNV98-ZGGEH  
 Fig.7. CAMSHAFT & DRIVING GEAR

0CW10-M44400 Fig.7

(A)=4TNV98-ZGGE  
 (B)=4TNV98-ZGGEH  
 (C)=4TNV98-ZGGET

(D)=4TNV98-ZGGEC  
 (E)=  
 (F)=

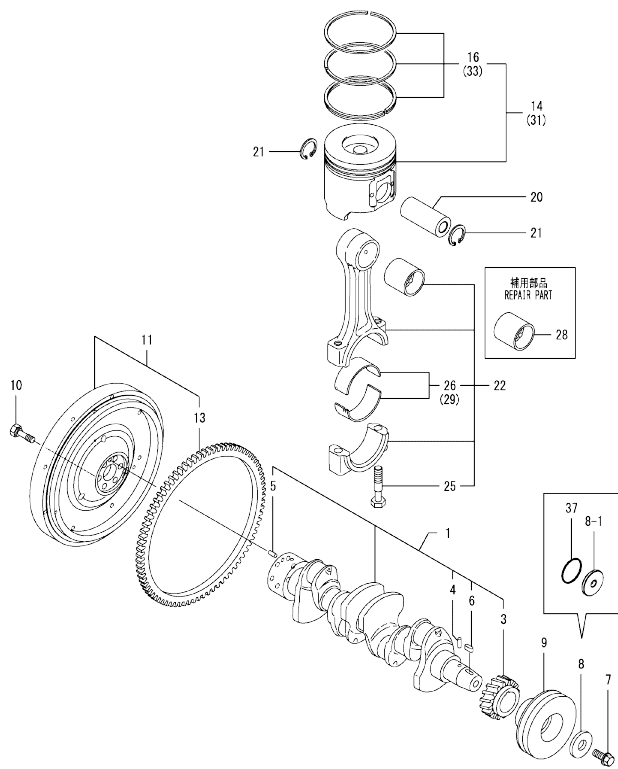


No.	Lev.	Parts No.	Description	Q'ty						I	R
				(A)	(B)	(C)	(D)	(E)	(F)		
1	1	129150-14200	TAPPET	8	8	8	8				
2	1	129907-14400	PUSH-ROD	8	8	8	8				
3	1	129908-14581	CAMSHAFT ASSY	1	1	1	1				
4	2	129150-02450	BEARING, THRUST	1	1	1	1				
6	2	129900-14100	GEAR, CAMSHAFT	1	1	1	1				
7	2	22512-070140	KEY, 7X 14	1	1	1	1				
8	1	26106-080162	BOLT, M8X 16 PLATED	2	2	2	2				
9	1	123900-25060	SHAFT, IDLE GEAR	1	1	1	1				1
10	1	129900-25100	GEAR ASSY, IDLE	1	1	1	1				
13	1	129150-25920	BUSH, IDLE GEAR	1	1	1	1				
14	1	26106-080552	BOLT, M8X 55 PLATED	3	3	3	3				
15	1	129953-25300	BOLT	4	4	4	4				
16	1	129907-25900	GEAR, PUMP	1	1	1	1				
17	1	158563-51150	FLANGE	1	1	1	1				
18	1	22217-180000	WASHER, SPRING 18	1	1	1	1				
19	1	26776-180002	NUT, LOCK M18	1	1	1	1				

Remarks  
 (1) REPAIR PART.

N:Old  $\frac{100}{100}$  New, Q:Old  $\frac{100}{100}$  New, R:Old  $\frac{100}{100}$  New, S:Old  $\frac{100}{100}$  New, W:Add, Z:Discontinued, F:Interchangeable by set, K:Q'ty Change  
 Copyright (C) YANMAR GLOBAL CS CO., LTD. All Rights Reserved.

0CW10-M44400 4TNV98-ZGGE,4TNV98-ZGGEH  
 Fig.8. CRANKSHAFT & PISTON



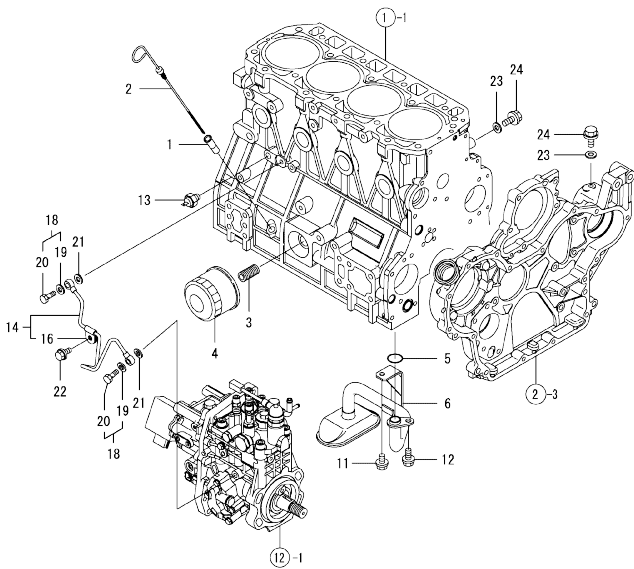
Remarks  
 (1) REPAIR PART.  
 (2) UNDER-SIZED(U.S=0.25)PART.  
 (3) OVER-SIZED(O.S=0.25)PART.

0CW10-M44400 Fig.8

(A)=4TNV98-ZGGE (D)=4TNV98-ZGGEC  
 (B)=4TNV98-ZGGEH (E)=  
 (C)=4TNV98-ZGGET (F)=

No.	Lev.	Parts No.	Description	Q'ty						I	R
				(A)	(B)	(C)	(D)	(E)	(F)		
1	1	129902-21000	CRANKSHAFT ASSY	1	1	1	1				
3	2	129900-21200	GEAR, CRANKSHAFT	1	1	1	1				
4	2	121850-21290	PIN	1	1	1	1				
5	2	121850-21920	PIN, PARALLEL 10X22	1	1	1	1				
6	2	22512-070140	KEY, 7X 14	1	1	1	1				
7	1	129916-21610	BOLT	1	1	1	1				
8	1	129900-21640	WASHER	1	1	1	1				
8-1	1	129960-21940 (A=E137168)	WASHER, V-PULLEY (B=E148846) (C=E138684) (D=E137275)	1	1	1	1				N
9	1	129907-21660	V-PULLEY, CRANK 130	1	1	1	1				
10	1	121850-21130	BOLT, FLYWHEEL	6	6	6	6				
11	1	129920-21580	FLYWHEEL ASSY	1	1	1	1				
13	2	127410-21480	GEAR, RING Z=129	1	1	1	1				
14	1	129927-22080	PISTON ASSY	4	4	4	4				
16	2	129927-22050	RING SET, PISTON	4	4	4	4				
20	1	120130-22301	PIN, PISTON	4	4	4	4				
21	1	22252-000300	RING, 30	8	8	8	8				
22	1	129900-23001	ROD ASSY, CONNECTING	4	4	4	4				
25	2	129900-23200	BOLT, CONNECTING ROD	8	8	8	8				
26	2	129900-23601	BEARING, CRANK PIN	4	4	4	4				
28	1	129900-23911	BEARING, PISTON PIN	4	4	4	4				1
29	1	129900-23611	BEARING ASSY, 0.25US	4	4	4	4				2
31	1	729927-22900	PISTON ASSY, 0.25 OS	4	4	4	4				3
33	2	729927-22950	RING SET, 0.25 OS	4	4	4	4				3
37	1	129960-21930 (A=E137168) (B=E148846) (C=E138684) (D=E137275)	GASKET, WASHER	1	1	1	1				W

Fig.9. LUB.OIL SYSTEM



(A)=4TNV98-ZGGE  
(B)=4TNV98-ZGGEH  
(C)=4TNV98-ZGGET

(D)=4TNV98-ZGGEC  
(E)=  
(F)=

No.	Lev.	Parts No.	Description	Q'ty						I	R
				(A)	(B)	(C)	(D)	(E)	(F)		
1	1	121520-34810	GUIDE, DIPSTICK	1	1	1	1				
2	1	129953-34830	DIPSTICK	1	1	1	1				
3	1	119000-35140	BOLT, STUD FILTER	1	1	1	1				
4	1	129150-35170	FILTER,LO	1	1	1	1				
5	1	129900-32030	O-RING, P20	1	1	1	1				
6	1	129953-35000	PIPE ASSY, OIL INLET	1	1	1	1				
11	1	26106-080122	BOLT, M8X 12 PLATED	1	1	1	1				
12	1	26106-080162	BOLT, M8X 16 PLATED	1	1	1	1				
13	1	119761-39450	SWITCH, HYDRAULIC	1	1	1	1				
14	1	129927-39060	PIPE ASSY, OIL	1	1	1	1				
16	2	123907-39500	RETAINER, PIPE	1	1	1	1				
18	1	129005-59830	BOLT ASSY, JOINT M8	2	2	2	2				
19	2	22190-080002	WASHER, SEAL 6	2	2	2	2				
20	2	23857-030000	BOLT, JOINT 3	2	2	2	2				
21	1	22190-080002	WASHER, SEAL 6	2	2	2	2				
22	1	26106-080122	BOLT, M8X 12 PLATED	1	1	1	1				
23	1	22190-080002	WASHER, SEAL 6	2	2	2	2				
24	1	26106-080122	BOLT, M8X 12 PLATED	2	2	2	2				

Remarks  
(1) REPAIR PART.

N:Old  $\frac{100}{100}$  New, Q:Old  $\frac{100}{100}$  New, R:Old  $\frac{100}{100}$  New, S:Old  $\frac{100}{100}$  New, W:Add, Z:Discontinued, F:Interchangeable by set, K:Qty Change  
Copyright (C) YANMAR GLOBAL CS CO., LTD. All Rights Reserved.

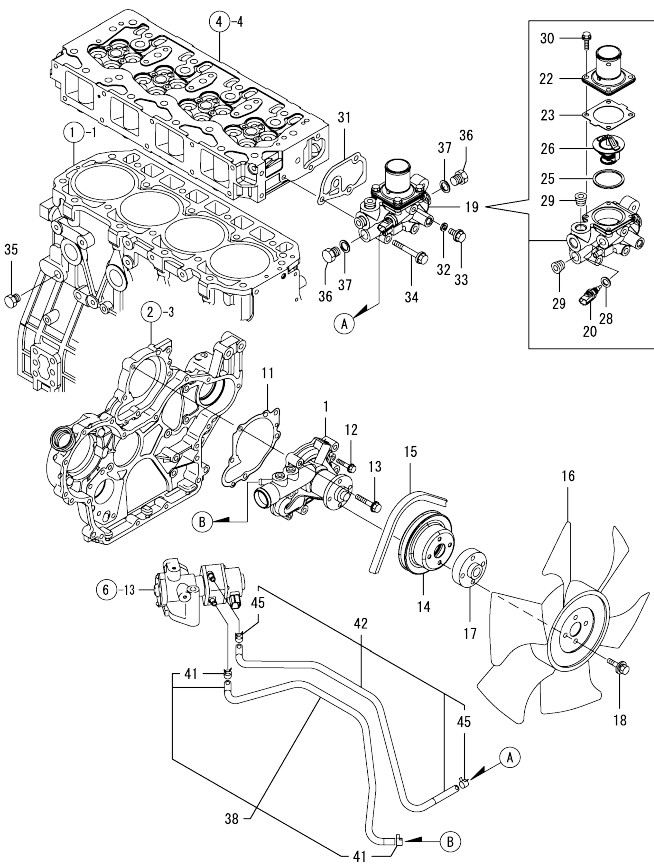
0CW10-M44400 4TNV98-ZGGE,4TNV98-ZGGEH  
 Fig.10. COOLING WATER SYSTEM

0CW10-M44400 Fig.10

(A)=4TNV98-ZGGE  
 (B)=4TNV98-ZGGEH  
 (C)=4TNV98-ZGGET

(D)=4TNV98-ZGGEC  
 (E)=  
 (F)=

No.	Lev.	Parts No.	Description	Q'ty						I	R
				(A)	(B)	(C)	(D)	(E)	(F)		
1	1	129927-42000	PUMP ASSY, WATER	1	1	1					
11	1	129900-42020	GASKET, WATER PUMP	1	1	1					
12	1	26106-060302	BOLT, M6X 30 PLATED	2	2	2					
13	1	26106-080552	BOLT, M8X 55 PLATED	5	5	5					
14	1	129900-42461	V-PULLEY, C.W.PUMP	1	1	1					
15	1	25132-004100	V-BELT, A41	1	1	1					
16	1	129916-44740	FAN, COOLING D=430	1	1	1					
17	1	119130-44760	SPACER, FAN	1	1	1					
18	1	26106-080302	BOLT, M8X 30 PLATED	4	4	4					
19	1	129927-49800	CASE ASSY,THERMOSTAT	1	1	1					
20	2	129927-44900	SENSOR, WATER TEMP.	1	1	1					
22	2	129916-49530	COVER, THERMOSTAT	1	1	1					
23	2	121850-49540	GASKET, THERMOSTAT	1	1	1					
25	2	121850-49550	GASKET, THERMOSTAT	1	1	1					
26	2	121850-49810	THERMOSTAT, 71C	1	1	1					
28	2	22190-120002	WASHER, SEAL 12	1	1	1					
29	2	23875-030000	PLUG, R03	2	2	2					
30	2	26106-060202	BOLT, M6X 20 PLATED	4	4	4					
31	1	129900-49870	GASKET, THERMOSTAT	1	1	1					
32	1	23414-080000	GASKET, 8X1.0	1	1	1					
33	1	26106-080122	BOLT, M8X 12 PLATED	1	1	1					
34	1	26106-080602	BOLT, M8X 60 PLATED	3	3	3					
35	1	171056-49120	PLUG, DRAIN R1/4	1	1	1					
36	1	121450-42450	PLUG, M16	2	2	2					
37	1	124465-44950	GASKET, 16	2	2	2					
38	1	129927-49610	HOSE ASSY, WATER	1	1	1					
41	2	23080-012000	CLAMP, 12	2	2	2					
42	1	129927-49620	HOSE ASSY, WATER	1	1	1					
45	2	23080-012000	CLAMP, 12	2	2	2					



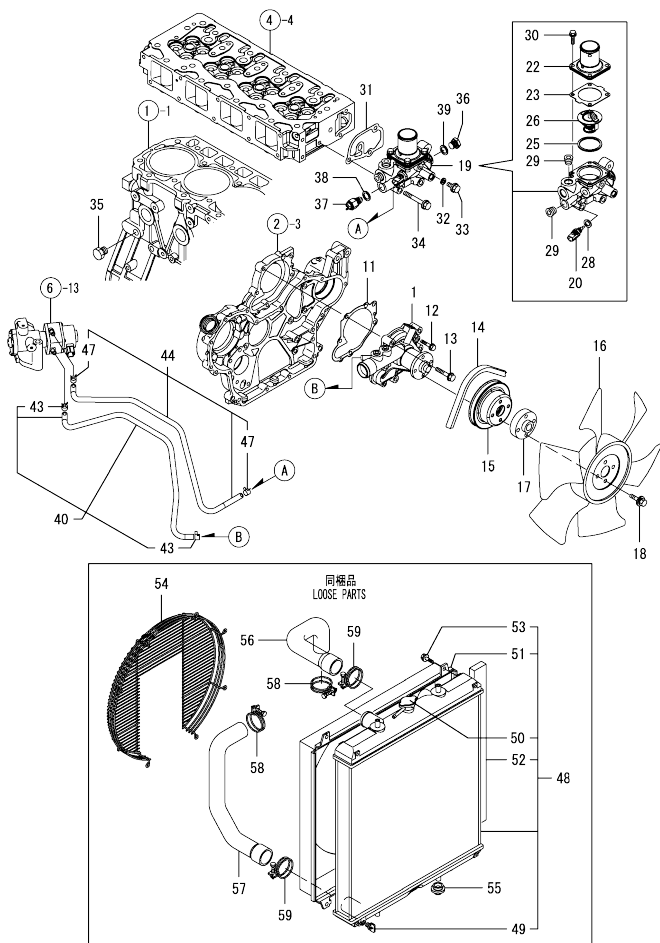
N:Old  $\frac{100}{100}$  New, Q:Old  $\frac{100}{100}$  New, R:Old  $\frac{100}{100}$  New, S:Old  $\frac{100}{100}$  New, W:Add, Z:Discontinued, F:Interchangeable by set, K:Q'ty Change  
 Copyright (C) YANMAR GLOBAL CS CO., LTD. All Rights Reserved.

OCW10-M44400 4TNV98-ZGGE,4TNV98-ZGGEH  
 Fig.11. COOLING WATER SYSTEM

OCW10-M44400 Fig.11

(A)=4TNV98-ZGGE  
 (B)=4TNV98-ZGGEH  
 (C)=4TNV98-ZGGET

(D)=4TNV98-ZGGEC  
 (E)=  
 (F)=

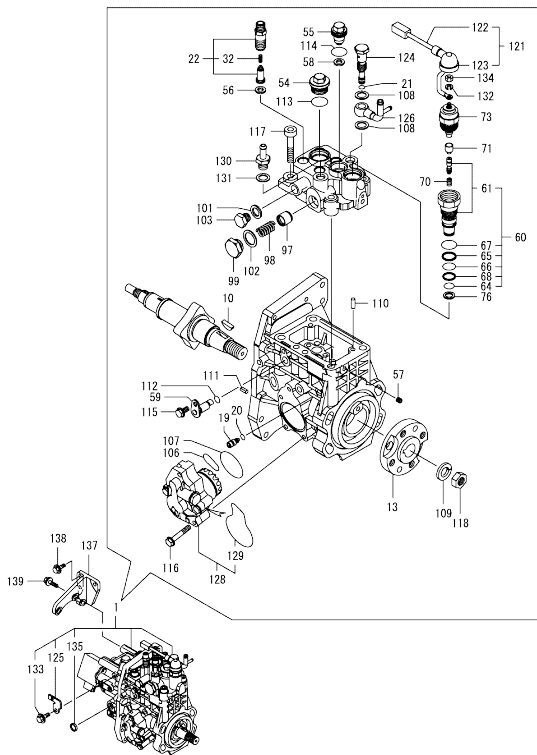


No.	Lev.	Parts No.	Description	Q'ty						I	R	
				(A)	(B)	(C)	(D)	(E)	(F)			
1	1	129927-42000	PUMP ASSY, WATER									
11	1	129900-42020	GASKET, WATER PUMP									
12	1	26106-060302	BOLT, M6X 30 PLATED									
13	1	26106-080552	BOLT, M8X 55 PLATED									
14	1	129052-42290	V-BELT, A40.5									
14-1	1	25132-004100	V-BELT, A41									N
(B=2008.08.)												
15	1	129900-42461	V-PULLEY, C.W.PUMP									
16	1	129916-44740	FAN, COOLING D=430									
17	1	119130-44760	SPACER, FAN									
18	1	26106-080302	BOLT, M8X 30 PLATED									
19	1	129927-49800	CASE ASSY,THERMOSTAT									
20	2	129927-44900	SENSOR, WATER TEMP.									
22	2	129916-49530	COVER, THERMOSTAT									
23	2	121850-49540	GASKET, THERMOSTAT									
25	2	121850-49550	GASKET, THERMOSTAT									
26	2	121850-49810	THERMOSTAT, 71C									
28	2	22190-120002	WASHER, SEAL 12									
29	2	23875-030000	PLUG, R03									
30	2	26106-060202	BOLT, M6X 20 PLATED									
31	1	129900-49870	GASKET, THERMOSTAT									
32	1	23414-080000	GASKET, 8X1.0									
33	1	26106-080122	BOLT, M8X 12 PLATED									
34	1	26106-080602	BOLT, M8X 60 PLATED									
35	1	171056-49120	PLUG, DRAIN R1/4									
36	1	121450-42450	PLUG, M16									
37	1	121250-44901	SWITCH, THERMO 110									
38	1	124465-44950	GASKET, 16									
39	1	124465-44950	GASKET, 16									
40	1	129927-49610	HOSE ASSY, WATER									
43	2	23080-012000	CLAMP, 12									
44	1	129927-49620	HOSE ASSY, WATER									
47	2	23080-012000	CLAMP, 12									
48	1	129940-44500	RADIATOR ASSY									
49	2	129508-44550	COCK ASSY									
50	2	129107-44590	CAP, RADIATOR									
51	2	129907-44600	SHROUD									
52	2	129907-44610	GASKET									
53	2	26014-060122	BOLT, M6X 12									
54	1	129907-44560	GUARD, FAN									
55	1	119255-44660	ABSORBER									
56	1	129981-49050	HOSE, WATER									
57	1	129981-49062	HOSE, WATER									
58	1	23010-050000	CLAMP, 50									
59	1	23010-060000	CLAMP, 60									



Fig.12. FUEL INJECTION PUMP

(A)=4TNV98-ZGGE (D)=4TNV98-ZGGE  
(B)=4TNV98-ZGGEH (E)=  
(C)=4TNV98-ZGGET (F)=



No.	Lev.	Parts No.	Description	Q'ty						I	R
				(A)	(B)	(C)	(D)	(E)	(F)		
1	1	729943-51390	FIE ASSY	1	1	1	1				1
10	2	144626-51090	FEATHER KEY, 5X19	1	1	1	1				
13	2	158563-51150	FLANGE	1	1	1	1				
19	2	158600-51270	STOPPER, TAPPET	1	1	1	1				
20	2	158563-51281	O-RING, 4D S6	1	1	1	1				
21	2	158563-51281	O-RING, 4D S6	1	1	1	1				
22	2	129927-51390	VALVE ASSY, DELIVERY	4	4	4	4				
32	3	158563-51330	SPRING, DELIVERY	4	4	4	4				
54	2	158601-51550	PLUG, M22	1	1	1	1				
55	2	129907-51560	PLUG, M16	1	1	1	1				
56	2	158552-51571	GASKET, PLUG	4	4	4	4				
57	2	158557-51570	PLUG, RACK	1	1	1	1				
58	2	129906-51580	GASKET, PLUG	1	1	1	1				
59	2	158552-51580	LIFTER, LINK	1	1	1	1				
60	2	129657-51590	TIMER ASSY	1	1	1	1				
61	3	129657-51600	TIMER ASSY	1	1	1	1				
64	3	158553-51670	O-RING	1	1	1	1				
65	3	119802-51680	RING, BACKUP	1	1	1	1				
66	3	119802-51690	O-RING	1	1	1	1				
67	3	24356-010200	O-RING, 4D1020	1	1	1	1				
68	3	24372-000150	RING, BACK UP T2P15	1	1	1	1				
70	2	119852-51630	SPRING, TIMER	1	1	1	1				
71	2	119852-51640	CAP, TIMER	1	1	1	1				
73	2	119852-51650	VALVE ASSY, SOLENOID	1	1	1	1				
76	2	158553-51680	GASKET, TIMER	1	1	1	1				
97	2	158601-51770	PISTON, ACCUMULATOR	1	1	1	1				
98	2	158552-51781	SPRING, ACCUMULATOR	1	1	1	1				
99	2	158601-51790	PLUG	1	1	1	1				
101	2	22190-120002	WASHER, SEAL 12	1	1	1	1				
102	2	22190-180002	WASHER, SEAL 18	1	1	1	1				
103	2	23887-120002	PLUG, 12	1	1	1	1				
106	2	158552-52310	O-RING	1	1	1	1				
107	2	158552-52400	O-RING, 4E S42	1	1	1	1				
108	2	22190-120002	WASHER, SEAL 12	2	2	2	2				
109	2	22217-180000	WASHER, SPRING 18	1	1	1	1				
110	2	22312-050140	PIN, PARALLEL M5X14	2	2	2	2				
111	2	22351-050010	PIN, SPRING 5.0X10	2	2	2	2				
112	2	24311-000070	O-RING, 1AP7.0	1	1	1	1				
113	2	24356-010200	O-RING, 4D1020	1	1	1	1				
114	2	24356-020210	O-RING, 4D2021	1	1	1	1				
115	2	26106-060102	BOLT, M6X 10 PLATED	1	1	1	1				
116	2	26106-060352	BOLT, M6X 35 PLATED	4	4	4	4				
117	2	26450-100452	BOLT, M10X 45	4	4	4	4				
118	2	26776-180002	NUT, LOCK M18	1	1	1	1				
121	2	129927-51650	HARNES ASSY, WIRE	1	1	1	1				
122	3	129927-51660	HARNES	1	1	1	1				
123	3	129263-77941	CAP, RUBBER	1	1	1	1				
124	2	158601-51650	JOINT, OVER FLOW	1	1	1	1				
125	2	129927-51670	BRACKET	1	1	1	1				
126	2	158552-51670	JOINT, OVER FLOW	1	1	1	1				
128	2	158552-52100	PUMP ASSY, FUEL FEED	1	1	1	1				

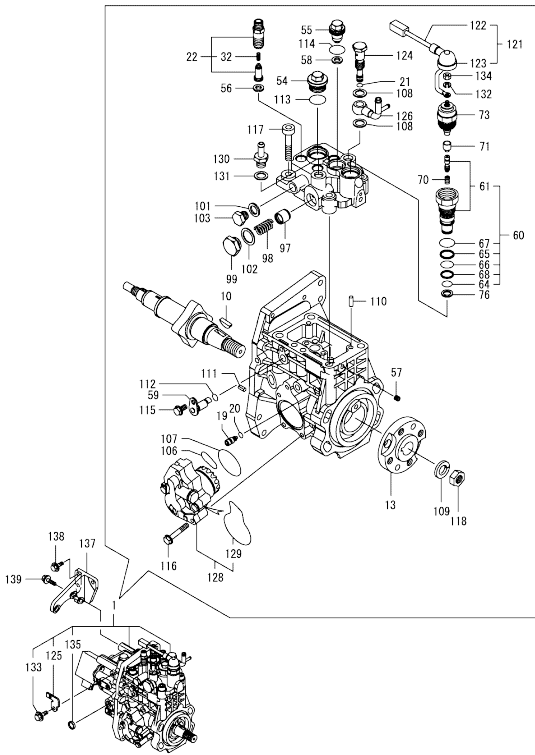
Remarks  
(1) GOVERNOR ASSY (FIG.13) IS INCORPORATED IN THIS FUEL INJECTION PUMP (REF.NO.1).  
\* ECO PUMP  
MAKE SURE TO UPDATE THE ENGINES ECU INFORMATION WHEN REPLACING THE ECO PUMP.  
FAILING TO DO SO WILL RESULT IN ENGINE MALFUNCTION.

0CW10-M44400 4TNV98-ZGGE,4TNV98-ZGGEH  
**Fig.12. FUEL INJECTION PUMP**

0CW10-M44400 Fig.12

(A)=4TNV98-ZGGE  
 (B)=4TNV98-ZGGEH  
 (C)=4TNV98-ZGGET

(D)=4TNV98-ZGGEC  
 (E)=  
 (F)=

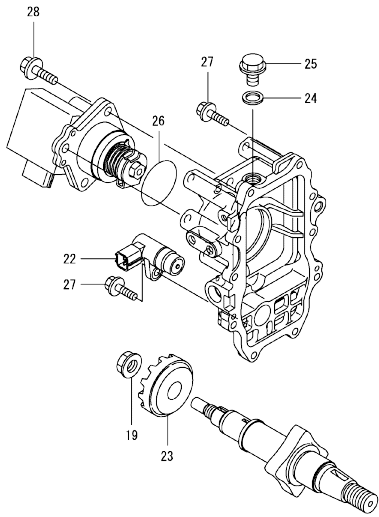


No.	Lev.	Parts No.	Description	Q'ty						I	R
				(A)	(B)	(C)	(D)	(E)	(F)		
129	3	158552-52500	O-RING	1	1	1	1				
130	2	119934-59910	JOINT, PIPE	1	1	1	1				
131	2	22190-120002	WASHER, SEAL 12	1	1	1	1				
132	2	22217-050000	WASHER, SPRING 5	1	1	1	1				
133	2	26106-060122	BOLT, M6X 12 PLATED	1	1	1	1				
134	2	26716-050002	NUT, M5	1	1	1	1				
135	2	27241-160000	PLUG, 16	1	1	1	1				
137	1	129927-51250	RETAINER, PUMP	1	1	1	1				
138	1	26106-080202	BOLT, M8X 20 PLATED	3	3	3	3				
139	1	26106-080302	BOLT, M8X 30 PLATED	3	3	3	3				

**Remarks**

(1) GOVERNOR ASSY (FIG.13) IS INCORPORATED IN THIS FUEL INJECTION PUMP (REF.NO.1).  
 \* ECO PUMP  
 MAKE SURE TO UPDATE THE ENGINES ECU INFORMATION WHEN REPLACING THE ECO PUMP.  
 FAILING TO DO SO WILL RESULT IN ENGINE MALFUNCTION.

Fig.13. GOVERNOR



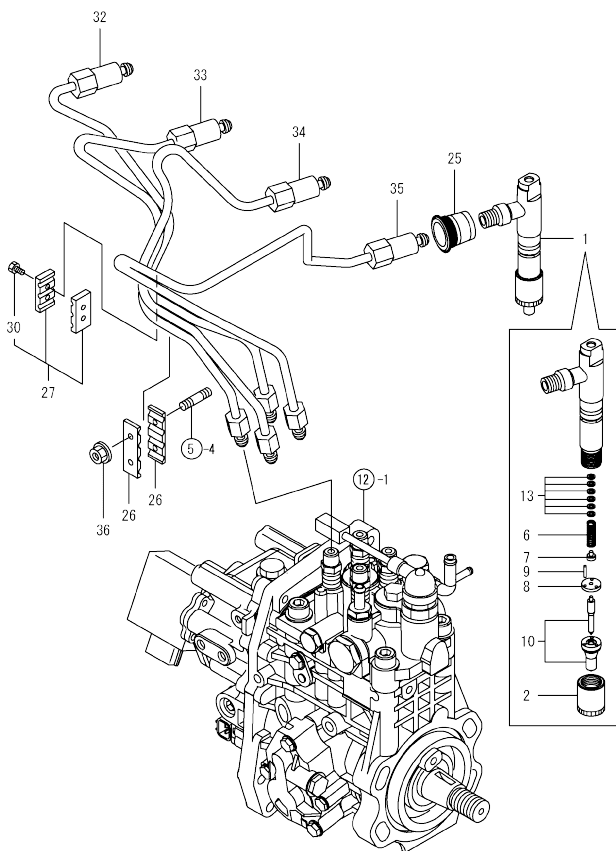
(A)=4TNV98-ZGGE  
(B)=4TNV98-ZGGEH  
(C)=4TNV98-ZGGET

(D)=4TNV98-ZGGEC  
(E)=  
(F)=

No.	Lev.	Parts No.	Description	Q'ty						I	R
				(A)	(B)	(C)	(D)	(E)	(F)		
19	2	129008-61301	NUT	1	1	1	1				
22	2	158557-61720	SENSOR	1	1	1	1				
23	2	158553-61780	GEAR, SENSOR	1	1	1	1				
24	2	23414-120000	GASKET, 12X1.0	1	1	1	1				
25	2	23887-120002	PLUG, 12	1	1	1	1				
26	2	24341-000480	O-RING, 1AS48.0	1	1	1	1				
27	2	26106-060252	BOLT, M6X 25 PLATED	10	10	10	10				
28	2	26106-080252	BOLT, M8X 25 PLATED	3	3	3	3				

Remarks  
\* THIS FIGURE(GOVERNOR ASSY)IS  
INCORPORATED IN THE FUEL INJECTION  
PUMP ASSY(FIG.12).

Fig.14. FUEL INJECTION VALVE

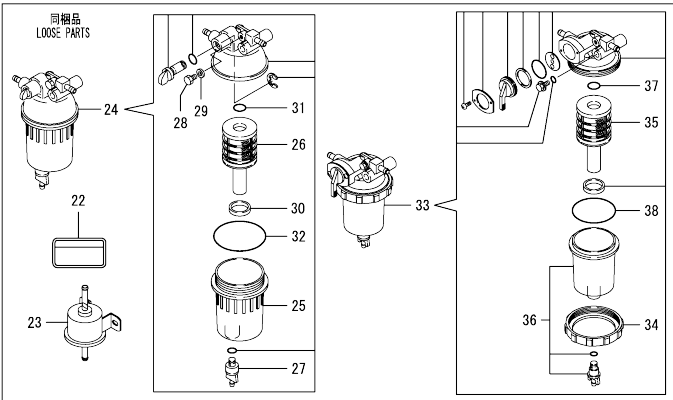
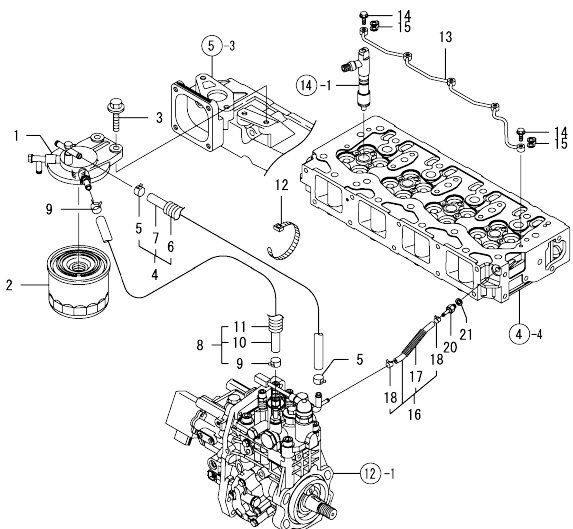


(A)=4TNV98-ZGGE  
(B)=4TNV98-ZGGEH  
(C)=4TNV98-ZGGET

(D)=4TNV98-ZGGEC  
(E)=  
(F)=

No.	Lev.	Parts No.	Description	Q'ty						I	R
				(A)	(B)	(C)	(D)	(E)	(F)		
1	1	729927-53300	FUEL INJECTOR ASSY	4	4	4	4				
2	2	114250-53080	NUT, NOZZLE	4	4	4	4				
6	2	114250-53120	SPRING, NOZZLE	4	4	4	4				
7	2	114250-53130	SEAT, SPRING	4	4	4	4				
8	2	114250-53140	SPACER	4	4	4	4				
9	2	114250-53210	PIN	8	8	8	8				
10	2	129927-53300	NOZZLE ASSY, F.I.	4	4	4	4				
13	2	114250-53400	SHIM SET	4	4	4	4				
25	1	123907-11601	SEAL, PIPE	4	4	4	4				
26	1	123472-59120	RETAINER, PIPE	2	2	2	2				
27	1	129150-59120	RETAINER, PIPE	1	1	1	1				
30	2	129150-59131	BOLT, M4X14	2	2	2	2				
32	1	129927-59810	PIPE ASSY, INJECTION	1	1	1	1				
33	1	129927-59820	PIPE ASSY, INJECTION	1	1	1	1				
34	1	129927-59830	PIPE ASSY, INJECTION	1	1	1	1				
35	1	129927-59840	PIPE ASSY, INJECTION	1	1	1	1				
36	1	26366-060002	NUT, M6	2	2	2	2				

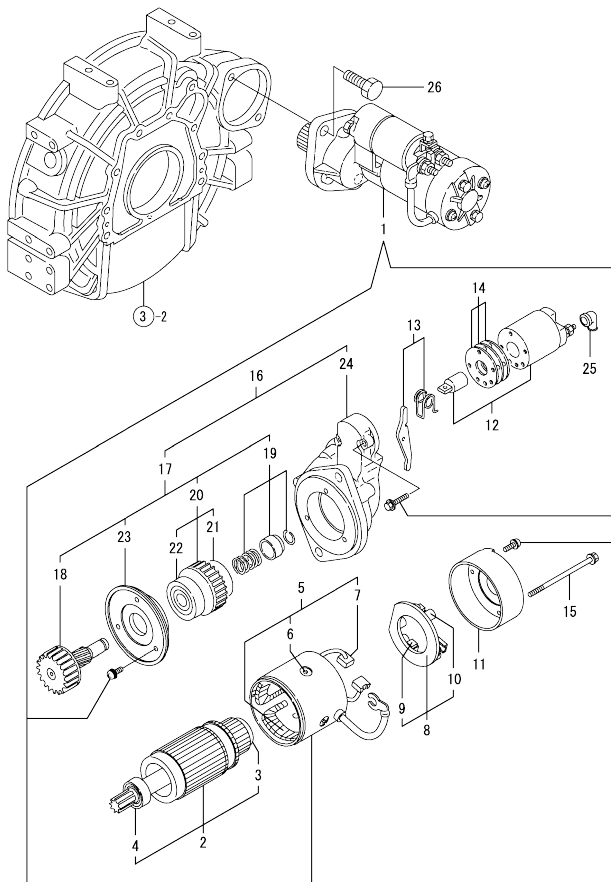
Fig.15. FUEL LINE



(A)=4TNV98-ZGGE  
(B)=4TNV98-ZGGEH  
(C)=4TNV98-ZGGET  
(D)=4TNV98-ZGGEC  
(E)=  
(F)=

No.	Lev.	Parts No.	Description	Q'ty						I	R
				(A)	(B)	(C)	(D)	(E)	(F)		
1	1	129004-55612	BRACKET, FILTER	1	1	1	1				
2	1	119802-55810	FILTER,FO	1	1	1	1				
3	1	26106-080302	BOLT, M8X 30 PLATED	2	2	2	2				
4	1	129457-59010	HOSE ASSY, FUEL	1	1	1	1				
5	2	124766-59050	CLAMP, HOSE 11.5	2	2	2	2				
6	2	129957-59120	TUBE, CORRUGATED 15	1	1	1	1				
7	2	105025-59750	HOSE, FUEL	1	1	1	1				
8	1	129961-59310	HOSE ASSY, FUEL	1	1	1	1				
9	2	124766-59050	CLAMP, HOSE 11.5	2	2	2	2				
10	2	129136-59110	HOSE, D13/7.5X270	1	1	1	1				
11	2	129961-59110	TUBE, CORRUGATED 15	1	1	1	1				
12	1	121750-59890	BAND, NYLON	1	1	1	1				
13	1	129907-59140	PIPE ASSY, RETURN	1	1	1	1				
14	1	123907-59540	BOLT, PIPE JOINT M6	5	5	5	5				
15	1	123907-59550	GASKET	5	5	5	5				
16	1	129927-59550	HOSE ASSY RETURN	1	1	1	1				
17	2	129263-49750	TUBE, CORRUGATED	1	1	1	1				
18	2	124722-59050	CLAMP, HOSE 9	2	2	2	2				
20	1	123907-59560	JOINT, HOSE	1	1	1	1				
21	1	22190-080002	WASHER, SEAL 6	1	1	1	1				
22	1	114110-07760	LABEL, FUEL CAUTION	1	1	1	1				
23	1	119225-52102	PUMP, FUEL FEED	1	1	1	1				
24	1	129242-55700	SEPARATOR ASSY,WATER	1	1	1	1				
25	2	129242-55720	CUP, SEPARATOR	1	1	1	1				
26	2	129242-55730	ELEMENT, FUEL	1	1	1	1				
27	2	129242-55740	PLUG, DRAIN	1	1	1	1				
28	2	129242-55750	VALVE, AIR VENT	1	1	1	1				
29	2	129242-55760	GASKET, PLUG	1	1	1	1				
30	2	129242-55770	FLOAT	1	1	1	1				
31	2	24311-000160	O-RING, 1AP16.0	1	1	1	1				
32	2	24321-000750	O-RING, 1AG75.0	1	1	1	1				
33	1	119802-55700	SEPARATOR ASSY,WATER				1				
34	2	129100-55690	RING, CUP RETAINING				1				
35	2	119802-55710	ELEMENT				1				
36	2	119802-55730	CUP ASSY, SEPARATOR				1				
37	2	24311-000160	O-RING, 1AP16.0				1				
38	2	24321-000650	O-RING, 1AG65.0				1				

Fig.16. STARTING MOTOR

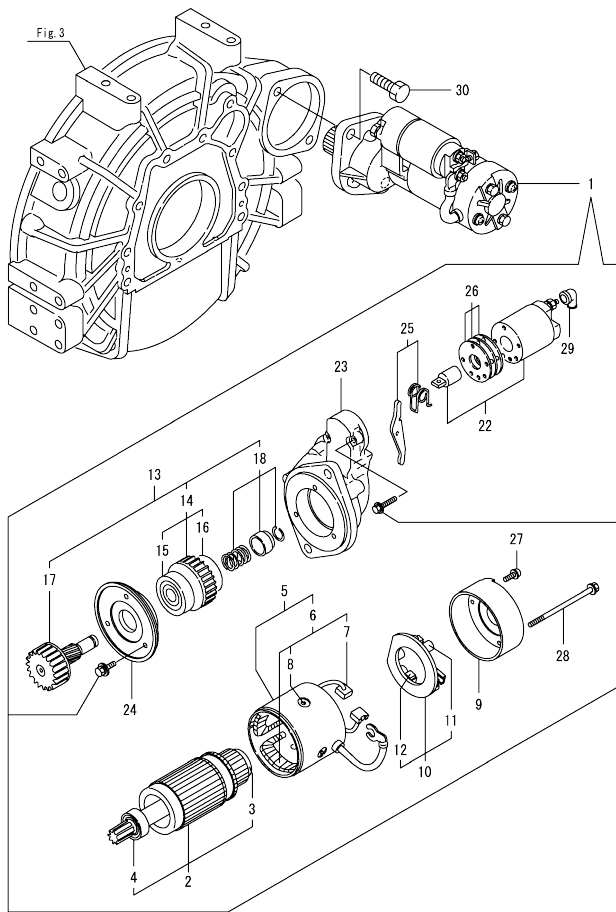


(A)=4TNV98-ZGGE  
(B)=4TNV98-ZGGEH  
(C)=4TNV98-ZGGET

(D)=4TNV98-ZGGEC  
(E)=  
(F)=

No.	Lev.	Parts No.	Description	Q'ty						I	R
				(A)	(B)	(C)	(D)	(E)	(F)		
1	1	129900-77010	STARTER ASSY	1	1	1	1				
2	2	129900-77400	ARMATURE ASSY	1	1	1	1				
3	3	X2114155110	BEARING, BALL	1	1	1	1				
4	3	X2114255110	BEARING, BALL	1	1	1	1				
5	2	129900-77440	COIL ASSY, FIELD	1	1	1	1				
6	3	171008-77450	SCREW, CORE SET	4	4	4	4				
7	3	129900-77450	BRUSH	2	2	2	2				
8	2	129900-77480	HOLDER ASSY, BRUSH	1	1	1	1				
9	3	129900-77450	BRUSH	2	2	2	2				
10	3	X2130631300	SPRING, BRUSH	4	4	4	4				
11	2	129900-77460	COVER	1	1	1	1				
12	2	129900-77591	SWITCH ASSY, MAGNET	1	1	1	1				
13	2	129900-77620	LEVER SET	1	1	1	1				
14	2	129900-77650	COVER KIT, DUST	1	1	1	1				
15	2	129900-77640	BOLT, THROUGH	2	2	2	2				
16	2	129900-77700	CASE ASSY, GEAR	1	1	1	1				
17	3	129900-77510	PINION ASSY,W/CLUTCH	1	1	1	1				
18	4	129900-77540	SHAFT, PINION	1	1	1	1				
19	4	129900-77550	STOPPER SET, PINION	1	1	1	1				
20	4	129900-77520	CLUTCH ASSY	1	1	1	1				
21	5	171008-77730	BEARING, BALL	1	1	1	1				
22	5	171008-77740	BEARING, BALL	1	1	1	1				
23	4	129900-77610	RETAINER, BEARING	1	1	1	1				
24	3	129900-77710	CASE, GEAR	1	1	1	1				
25	2	171008-77750	COVER, TERMINAL	1	1	1	1				
26	1	26116-120302	BOLT, M12X 30 PLATED	2	2	2	2				

Fig.20. (16A)STARTING MOTOR



(A)=4TNV98-ZGGE  
(B)=4TNV98-ZGGEH  
(C)=4TNV98-ZGGET

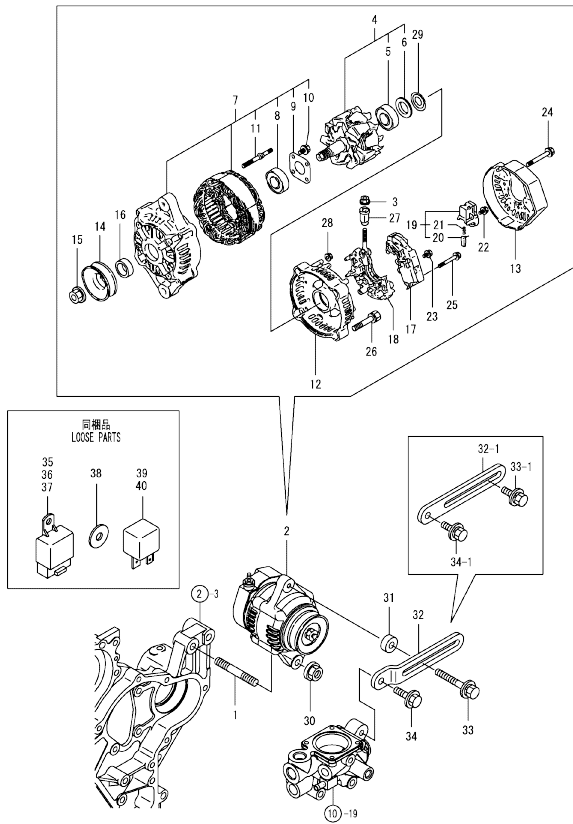
(D)=4TNV98-ZGGEC  
(E)=  
(F)=

No.	Lev.	Parts No.	Description	Q'ty						I	R
				(A)	(B)	(C)	(D)	(E)	(F)		
1	1	129900-77040	STARTER ASSY		1						
2	2	129900-77120	ARMATURE ASSY		1						
3	3	171008-77410	BEARING, BALL		1						
4	3	171008-77420	BEARING, BALL		1						
5	2	129900-77130	YOKE ASSY		1						
6	3	129900-77140	COIL ASSY, FIELD		1						
7	4	129900-77450	BRUSH		2						
8	4	171008-77450	SCREW, CORE SET		4						
9	2	129900-77150	COVER		1						
10	2	129900-77160	HOLDER ASSY, BRUSH		1						
11	3	X2130631300	SPRING, BRUSH		4						
12	3	129900-77450	BRUSH		2						
13	2	129900-77170	CLUTCH ASSY		1						
14	3	129900-77180	CLUTCH ASSY		1						
15	4	129900-77190	BEARING, BALL		1						
16	4	X2114955020	BEARING, BALL		1						
17	3	129900-77270	SHAFT, PINION		1						
18	3	171008-77670	STOPPER SET, PINION		1						
22	2	129900-77280	SWITCH ASSY, MAGNET		1						
23	2	129900-77290	CASE, GEAR		1						
24	2	129900-77380	RETAINER, BEARING		1						
25	2	129900-77390	LEVER ASSY, SHIFT		1						
26	2	129900-77420	COVER KIT, DUST		1						
27	2	129900-77430	SCREW, M4X10		2						
28	2	129685-77640	BOLT, THROUGH		2						
29	2	171008-77750	COVER, TERMINAL		1						
30	1	26116-120302	BOLT, M12X 30 PLATED		2						

Fig.17. GENERATOR

(A)=4TNV98-ZGGE  
(B)=4TNV98-ZGGEH  
(C)=4TNV98-ZGGET

(D)=4TNV98-ZGGEC  
(E)=  
(F)=

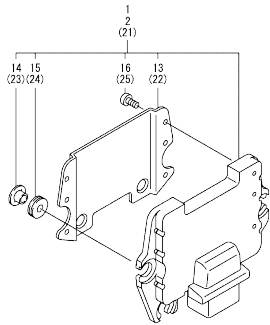


No.	Lev.	Parts No.	Description	Q'ty						I	R
				(A)	(B)	(C)	(D)	(E)	(F)		
1	1	129795-01900	BOLT, STUD M10X33	1	1	1	1				
2	1	129423-77200	GENERATOR ASSY, 40A	1	1	1	1				
3	2	X9490561001	NUT	1	1	1	1				
4	2	119620-77380	ROTOR ASSY	1	1	1	1				
5	3	123501-79240	BEARING, BALL	1	1	1	1				
6	3	119620-79250	COVER, BEARING	1	1	1	1				
7	2	119620-77421	FRAME ASSY,GENERATOR	1	1	1	1				
8	3	119620-79200	BEARING, BALL	1	1	1	1				
9	3	119620-79210	RETAINER	1	1	1	1				
10	3	119620-79220	SCREW	4	4	4	4				
11	3	119620-79230	BOLT, STUD	2	2	2	2				
12	2	119620-77440	FRAME ASSY	1	1	1	1				
13	2	129240-79300	COVER	1	1	1	1				
14	2	119620-77461	PULLEY, GENERATOR	1	1	1	1				
15	2	119620-77471	NUT	1	1	1	1				
16	2	119620-77490	COLLAR	1	1	1	1				
17	2	129423-77710	REGULATOR ASSY	1	1	1	1				
18	2	119620-79260	HOLDER	1	1	1	1				
19	2	129052-79270	HOLDER, BRUSH	1	1	1	1				
20	3	119620-77480	BRUSH	2	2	2	2				
21	3	119620-79280	SPRING	2	2	2	2				
22	2	119620-79290	SCREW	6	6	6	6				
23	2	119620-79300	SCREW	1	1	1	1				
24	2	119620-79310	BOLT	3	3	3	3				
25	2	119620-79320	SCREW	2	2	2	2				
26	2	119620-79330	BOLT	2	2	2	2				
27	2	119620-79340	BUSH, INSULATION	1	1	1	1				
28	2	119620-79350	NUT	2	2	2	2				
29	2	119620-79360	WASHER, THRUST	1	1	1	1				
30	1	26306-100002	NUT, M10	1	1	1	1				
31	1	119940-77270	SPACER	1	1	1	1				Z
		(A=EXXXXX) (C=EXXXXX) (D=EXXXXX)									
32	1	129972-77330	ADJUSTER, BELT	1	1	1	1				
32-1	1	129988-77330	ADJUSTER, BELT	1	1	1	1				S 1
		(A=EXXXXX) (B=EXXXXX) (C=EXXXXX) (D=EXXXXX)									
33	1	129972-77341	BOLT, ADJUST L=50	1	1	1	1				
33-1	1	119810-77340	BOLT, ADJUST L=30	1	1	1	1				S 1
		(A=EXXXXX) (B=EXXXXX) (C=EXXXXX) (D=EXXXXX)									
34	1	26106-080222	BOLT, M8X 22 PLATED	1	1	1	1				
34-1	1	26014-080252	BOLT, M8X 25	1	1	1	1				S 1
		(A=EXXXXX) (B=EXXXXX) (C=EXXXXX) (D=EXXXXX)									
35	1	198461-52950	RELAY, CA TYPE C	1			1				
36	1	198461-52950	RELAY, CA TYPE C	1			1				
37	1	198461-52950	RELAY, CA TYPE C		2						
38	1	129927-77690	WASHER, ECU	3			3				
39	1	129927-77920	RELAY, ISO 70A	1			1				
40	1	129927-77920	RELAY, ISO 70A	1			1				

Remarks  
(1) Interchangeable by simultaneous replacement with Ref.32-1, 33-1 and 34-1.



Fig.18. ELECTRONIC CONTROL UNIT (ECU)



(A)=4TNV98-ZGGE  
(B)=4TNV98-ZGGEH  
(C)=4TNV98-ZGGET

(D)=4TNV98-ZGGEC  
(E)=  
(F)=

No.	Lev.	Parts No.	Description	Q'ty						I	R
				(A)	(B)	(C)	(D)	(E)	(F)		
1	1	129943-75030	ECU ASSY	1		1	1				1
2	1	129943-75040	ECU ASSY		1						1
13	2	129927-77600	SHIELD, ECU	1	1	1	1				
14	2	129927-77680	COLLAR, CONTROL	3	3	3	3				
15	2	119578-91351	ABSORBER	3	3	3	3				
16	2	22877-500080	SCREW, 5X 8	6	6	6	6				
21	1	129927-75900	ECU ASSY, SERVICE	1	1	1	1				2
22	2	129927-77600	SHIELD, ECU	1	1	1	1				
23	2	129927-77680	COLLAR, CONTROL	3	3	3	3				
24	2	119578-91351	ABSORBER	3	3	3	3				
25	2	22877-500080	SCREW, 5X 8	6	6	6	6				

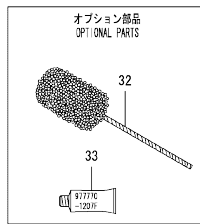
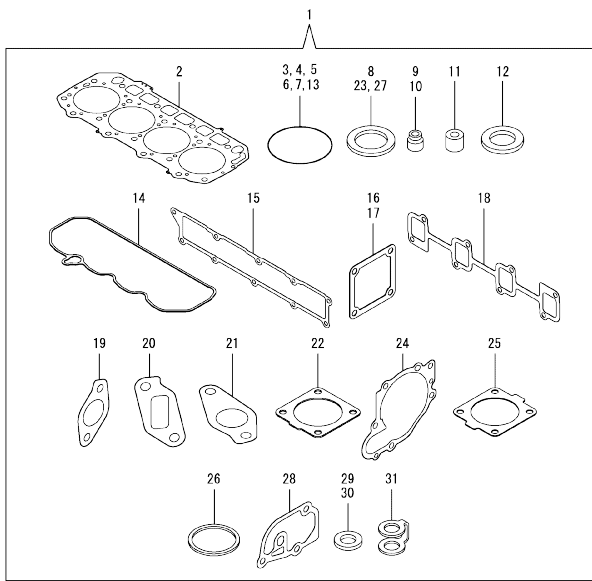
Remarks

(1)ECO ECU  
THIS PART CANNOT BE ORDERED.  
REPLACE THE PART USING A SERVICE  
ECU WITH THE PROPER ENGINE  
INFORMATION INSTALLED.  
(2)SERVICE ECU  
IF THE PROPER INFORMATION IS NOT  
INSTALLED, THE ENGINE WILL NOT  
OPERATE.  
TO INSTALL PROPER INFORMATION,  
GO TO AN AUTHORIZED DISTRIBUTOR.

Fig.19. GASKET SET

(A)=4TNV98-ZGGE  
(B)=4TNV98-ZGGEH  
(C)=4TNV98-ZGGET

(D)=4TNV98-ZGGEC  
(E)=  
(F)=



No.	Lev.	Parts No.	Description	Qty						I	R
				(A)	(B)	(C)	(D)	(E)	(F)		
1	1	729927-92810	GASKET SET	1	1	1	1				1
2	2	129907-01331	GASKET, HEAD	1	1	1	1				
3	2	129900-32030	O-RING, P20	2	2	2	2				
4	2	129900-32040	O-RING, P14	1	1	1	1				
5	2	24311-000070	O-RING, 1AP7.0	1	1	1	1				
6	2	24351-030750	O-RING, 1A3075	1	1	1	1				
7	2	24311-000320	O-RING, 1AP32.0	2	2	2	2				
8	2	22190-220002	WASHER, SEAL 22	1	1	1	1				
9	2	119803-11340	SEAL, VALVE STEM	8	8	8	8				
10	2	124160-11340	SEAL, VALVE STEM	8	8	8	8				
11	2	119802-11870	PROTECTOR, NOZZLE	4	4	4	4				
12	2	119625-11880	SEAT, NOZZLE	4	4	4	4				
13	2	24311-000120	O-RING, 1AP12.0	8	8	8	8				
14	2	129933-11310	GASKET, BONNET	1	1	1	1				
15	2	129907-12110	GASKET, MANIFOLD	1	1	1	1				
16	2	119129-77020	GASKET	1	1	1	1				
17	2	121850-77021	GASKET, AIR HEATER	1	1	1	1				
18	2	129900-13251	GASKET, EXH.MANIFOLD	1	1	1	1				
19	2	129927-13810	GASKET	1	1	1	1				
20	2	129927-13910	GASKET, EGR	1	1	1	1				
21	2	129927-13920	GASKET, EGR	1	1	1	1				
22	2	129930-13201	GASKET, SILENCER	1	1	1	1				
23	2	22190-080002	WASHER, SEAL 6	7	7	7	7				
24	2	129900-42020	GASKET, WATER PUMP	1	1	1	1				
25	2	121850-49540	GASKET, THERMOSTAT	1	1	1	1				
26	2	121850-49550	GASKET, THERMOSTAT	1	1	1	1				
27	2	22190-120002	WASHER, SEAL 12	1	1	1	1				
28	2	129900-49870	GASKET, THERMOSTAT	1	1	1	1				
29	2	23414-080000	GASKET, 8X1.0	1	1	1	1				
30	2	124465-44950	GASKET, 16	2	2	2	2				
31	2	123907-59550	GASKET	5	5	5	5				
32	1	129400-92450	HONE, FLEX	1	1	1	1				1
33	1	977770-1207F	GASKET, LIQUID	1	1	1	1				1

Remarks  
(1) OPTIONAL PART.

## Parts No. Index

Parts No.	Fig. No.	Ref. No.	Parts No.	Fig. No.	Ref. No.	Parts No.	Fig. No.	Ref. No.	Parts No.	Fig. No.	Ref. No.
105025-59750	15	7	119640-61400	4	61	123907-11830	4	20	129242-55770	15	30
114110-07760	15	22	119761-39450	9	13	123907-39500	9	16	129263-13210	6	5
114250-53080	14	2	119802-11870	4	25	123907-59540	15	14	129263-49750	15	17
114250-53120	14	6		19	11	123907-59550	15	15	129263-77941	12	123
114250-53130	14	7	119802-13680	6	7		19	31	129400-92450	19	32
114250-53140	14	8	119802-51680	12	65	123907-59560	15	20	129418-18320	6	4
114250-53210	14	9	119802-51690	12	66	124160-01751	2	24	129423-77200	17	2
114250-53400	14	13	119802-55700	15	33		4	50	129423-77710	17	17
119000-01840	3	3	119802-55710	15	35	124160-11340	4	16	129457-59010	15	4
119000-35140	9	3	119802-55730	15	36		19	10	129508-44550	11	49
119005-77051	5	9	119802-55810	15	2	124160-11360	4	66	129657-51590	12	60
119129-77020	5	7	119803-11340	4	15	124411-01780	3	5	129657-51600	12	61
	19	16		19	9	124465-44950	10	37	129685-77640	20	28
119129-77520	5	10	119810-77340	17	33 -1		11	38	129795-01900	17	1
119130-44760	10	17	119852-51630	12	70			39	129900-01200	1	27
	11	17	119852-51640	12	71		19	30	129900-01250	1	4
119131-18320	6	3	119852-51650	12	73	124722-59050	15	18	129900-01740	2	26
119160-12530	5	16	119934-59910	12	130	124766-59050	15	5	129900-01850	2	33
119160-12540	5	17	119940-77270	17	31			9	129900-01870	2	34
119225-52102	15	23	120130-22301	8	20	127410-21480	8	13	129900-02020	1	6
119255-44660	11	55	121250-44901	11	37	129001-91810	2	27	129900-02341	1	32
119578-91351	18	15	121450-42450	10	36			35	129900-02410	1	9
		24		11	36	129004-55612	15	1	129900-02931	1	24
119593-11301	4	30	121520-34810	9	1	129005-59830	9	18	129900-02941	1	35
119620-11180	4	14	121750-59890	15	12	129008-61301	13	19	129900-13251	6	6
119620-77380	17	4	121820-12590	5	18	129052-42290	11	14		19	18
119620-77421	17	7	121850-21130	8	10	129052-79270	17	19	129900-14100	7	6
119620-77440	17	12	121850-21290	8	4	129100-01580	2	1	129900-21200	8	3
119620-77461	17	14	121850-21920	8	5		3	1	129900-21640	8	8
119620-77471	17	15	121850-49540	10	23	129100-55690	15	34	129900-23001	8	22
119620-77480	17	20		11	23	129107-44590	11	50	129900-23200	8	25
119620-77490	17	16		19	25	129136-59110	15	10	129900-23601	8	26
119620-79200	17	8	121850-49550	10	25	129150-02450	7	4	129900-23611	8	29
119620-79210	17	9		11	25	129150-11230	4	38	129900-23911	8	28
119620-79220	17	10		19	26			42	129900-25100	7	10
119620-79230	17	11	121850-49810	10	26	129150-11750	4	19	129900-32001	2	4
119620-79250	17	6		11	26			39	129900-32030	2	16
119620-79260	17	18	121850-77021	5	8			43		9	5
119620-79280	17	21		19	17	129150-14200	7	1		19	3
119620-79290	17	22	123472-59120	14	26	129150-25920	7	13	129900-32040	2	17
119620-79300	17	23	123501-79240	17	5	129150-35170	9	4		19	4
119620-79310	17	24	123900-25060	7	9	129150-59120	14	27	129900-42020	10	11
119620-79320	17	25	123907-03100	4	55	129150-59131	14	30		11	11
119620-79330	17	26	123907-03110	4	56	129240-79300	17	13		19	24
119620-79340	17	27	123907-03120	4	57	129242-55700	15	24	129900-42461	10	14
119620-79350	17	28	123907-03140	4	58	129242-55720	15	25		11	15
119620-79360	17	29	123907-11280	4	35	129242-55730	15	26	129900-49870	10	31
119625-11880	4	26	123907-11550	4	3	129242-55740	15	27		11	31
	19	12	123907-11601	14	25	129242-55750	15	28		19	28
119640-01640	3	7	123907-11820	4	21	129242-55760	15	29	129900-77010	16	1

## Parts No. Index

Parts No.	Fig. No.	Ref. No.
129900-77040	20	1
129900-77120	20	2
129900-77130	20	5
129900-77140	20	6
129900-77150	20	9
129900-77160	20	10
129900-77170	20	13
129900-77180	20	14
129900-77190	20	15
129900-77270	20	17
129900-77280	20	22
129900-77290	20	23
129900-77380	20	24
129900-77390	20	25
129900-77400	16	2
129900-77420	20	26
129900-77430	20	27
129900-77440	16	5
129900-77450	16	7
		9
	20	7
		12
129900-77460	16	11
129900-77480	16	8
129900-77510	16	17
129900-77520	16	20
129900-77540	16	18
129900-77550	16	19
129900-77591	16	12
129900-77610	16	23
129900-77620	16	13
129900-77640	16	15
129900-77650	16	14
129900-77700	16	16
129900-77710	16	24
129902-21000	8	1
129906-51580	12	58
129907-01331	1	28
	19	2
129907-03011	4	52
129907-03061	4	53
129907-03070	4	54
129907-07900	4	1
129907-11100	4	11
129907-11110	4	12
129907-11120	4	13
129907-11250	4	32
129907-11260	4	33
129907-11270	4	34
129907-11341	4	31

Parts No.	Fig. No.	Ref. No.
129907-11510	4	17
129907-11650	4	36
129907-11660	4	40
129907-11800	4	24
129907-11910	4	27
129907-11920	4	44
129907-11950	4	28
129907-12110	5	1
	19	15
129907-14400	7	2
129907-21660	8	9
129907-25900	7	16
129907-44560	11	54
129907-44600	11	51
129907-44610	11	52
129907-51560	12	55
129907-59140	15	13
129908-14581	7	3
129915-01610	3	2
129916-01800	2	32
129916-21610	8	7
129916-44740	10	16
	11	16
129916-49530	10	22
	11	22
129920-21580	8	11
129927-11320	4	51
129927-11700	4	4
129927-12060	5	13
129927-12100	5	3
129927-12150	5	2
129927-12560	5	19
129927-13100	6	2
129927-13150	6	1
129927-13800	6	9
129927-13810	6	10
	19	19
129927-13900	6	13
129927-13910	6	14
	19	20
129927-13920	6	15
	19	21
129927-22050	8	16
129927-22080	8	14
129927-39060	9	14
129927-42000	10	1
	11	1
129927-42140	2	17 A
129927-44900	10	20
	11	20

Parts No.	Fig. No.	Ref. No.
129927-49610	10	38
	11	40
129927-49620	10	42
	11	44
129927-49800	10	19
	11	19
129927-51250	12	137
129927-51390	12	22
129927-51650	12	121
129927-51660	12	122
129927-51670	12	125
129927-53300	14	10
129927-59550	15	16
129927-59810	14	32
129927-59820	14	33
129927-59830	14	34
129927-59840	14	35
129927-75900	18	21
129927-77600	18	13
		22
129927-77680	18	14
		23
129927-77690	17	38
129927-77920	17	39
		40
129930-13201	6	18
	19	22
129933-11310	4	60
	19	14
129933-12500	5	14
129935-12520	5	15
129940-44500	11	48
129943-75030	18	1
129943-75040	18	2
129944-01500	2	3
129953-25300	7	15
129953-34830	9	2
129953-35000	9	6
129957-59120	15	6
129960-21930	8	37
129960-21940	8	8 -1
129961-59110	15	11
129961-59310	15	8
129972-77330	17	32
129972-77341	17	33
129981-49050	11	56
129981-49062	11	57
129982-01710	3	6
129988-77330	17	32 -1
144626-51090	12	10

Parts No.	Fig. No.	Ref. No.
158552-51571	12	56
158552-51580	12	59
158552-51670	12	126
158552-51781	12	98
158552-52100	12	128
158552-52310	12	106
158552-52400	12	107
158552-52500	12	129
158553-51670	12	64
158553-51680	12	76
158553-61780	13	23
158557-51570	12	57
158557-61720	13	22
158563-51150	7	17
	12	13
158563-51281	12	20
		21
158563-51330	12	32
158600-51270	12	19
158601-51550	12	54
158601-51650	12	124
158601-51770	12	97
158601-51790	12	99
171008-77410	20	3
171008-77420	20	4
171008-77450	16	6
	20	8
171008-77670	20	18
171008-77730	16	21
171008-77740	16	22
171008-77750	16	25
	20	29
171051-01921	1	5
171056-49120	10	35
	11	35
175339-79700	4	62
198461-52950	17	35
		36
		37
22190-080002	9	19
		21
		23
	15	21
	19	23
22190-120002	10	28
	11	28
	12	101
		108
		131
	19	27

## Parts No. Index

Parts No.	Fig. No.	Ref. No.
22190-180002	12	102
22190-220002	3	9
	19	8
22217-050000	12	132
22217-180000	7	18
	12	109
22252-000300	8	21
22312-050140	12	110
22351-050010	12	111
22351-060012	1	11
22512-070140	7	7
	8	6
22857-500100	4	63
		64
22877-500080	18	16
		25
23000-080000	5	20
23000-090000	5	21
23010-050000	11	58
23010-060000	11	59
23080-012000	10	41
		45
	11	43
		47
23414-080000	10	32
	11	32
	19	29
23414-120000	13	24
23857-030000	9	20
23875-030000	10	29
	11	29
23876-020000	4	8
23876-030000	1	12
		13
		14
	4	9
23887-120002	12	103
	13	25
24311-000070	2	18
	12	112
	19	5
24311-000120	4	29
		67
	19	13
24311-000160	15	31
		37
24311-000320	2	25
	4	68
	19	7
24321-000650	15	38

Parts No.	Fig. No.	Ref. No.
24321-000750	15	32
24341-000480	13	26
24351-030750	2	19
	19	6
24356-010200	12	67
		113
24356-020210	12	114
24372-000150	12	68
25132-004100	10	15
	11	14 -1
26014-060122	11	53
26014-080252	17	34 -1
26106-060102	12	115
26106-060122	4	65
	12	133
26106-060202	10	30
	11	30
26106-060252	13	27
26106-060302	10	12
	11	12
26106-060352	12	116
26106-080122	3	10
	9	11
		22
		24
	10	33
	11	33
26106-080162	2	20
		28
		36
	4	2
	7	8
	9	12
26106-080202	2	21
	12	138
26106-080222	17	34
26106-080252	13	28
26106-080302	10	18
	11	18
	12	139
	15	3
26106-080402	2	29
		37
	4	46
	5	11
26106-080452	2	22
	5	5
26106-080552	7	14
	10	13
	11	13

Parts No.	Fig. No.	Ref. No.
26106-080602	4	47
		48
	10	34
	11	34
26106-080802	5	6
26106-080902	5	12
26106-100302	6	11
		16
26106-100952	6	17
26116-120302	16	26
	20	30
26206-100352	3	4
26216-060202	5	4
26216-100302	2	15
26226-080222	4	45
26306-080002	4	49
	6	8
		12
26306-100002	2	23
	17	30
26366-060002	14	36
26450-100452	12	117
26716-050002	12	134
26776-180002	7	19
	12	118
27241-160000	12	135
27241-300000	1	10
27241-400000	4	10
27310-070001	4	22
729900-02801	1	29
729907-01559	2	30
729927-01560	1	1
729927-22900	8	31
729927-22950	8	33
729927-53300	14	1
729927-92810	19	1
729943-51390	12	1
977770-1207F	19	33
X2114155110	16	3
X2114255110	16	4
X2114955020	20	16
X2130631300	16	10
	20	11
X9490561001	17	3

Parts No.	Fig. No.	Ref. No.
-----------	----------	----------