

0CW10-M71600EN

P R E F A C E

1. This parts catalog is the 1st edition of 4TNV98-ZNMS2, 4TNV98-ZNMS2F for GEHL.

Pub. No. : 0CW10-G71600

Published : March, 2011

2. Model name

Engine model	Vehicle	Vehicle made by
4TNV98-ZNMS2 4TNV98-ZNMS2F	SSL	GEHL

Directions for the Parts Catalog.

1. The parts stipulated in this Parts Catalog are not necessarily standard equipped parts.
2. Parts may change without prior notice.
3. The following is an example of the Parts Catalog format.

REF.	LEV.	PARTS NO.	DESCRIPTION	Q'TY						I	R
				(A)	(B)	(C)	(D)	(E)	(F)		
1	1	729595-51390	FUEL INJECTION PUMP	1	1	1	1	1			1
1-1	1	729595-51391	FUEL INJECTION PUMP	1	1	1	1	1		N	1
		(A=E00185) (B=E00200)									
3	2	26022-060162	SCREW M 6X 16	9	9	9	9	9			
3-1	2	26022-060162	SCREW M 6X 16	4	4	4	4	4		K	
		(A=E00156) (B=E00156) (C=E00156) (D=E00156) (E=E00156)									
4	2	129470-51040	CAMSHAFT	1	1	1	1	1			
5	2	122710-51050	BEARING, ROLLER	2	2	2	2	2			
6	2	129470-51060	RETAINER	1	1	1	1	1			

Remarks
(1) BOOST COMPEMSATOR TYPE. OPTIONAL PART, TO E00155,(4JH-DT, 4JH-DTZ

① Ref. No.

The Ref. No. listed may not be in accordance with the illustration Ref. No.

(Ex.) Illustration No.

List Ref No.

1 1 (Before change) → 1-1 (After change)

For interchangeable symbols N, R and K, illustrations for new parts may be abbreviated.

② Lev. (Level)

Level indication

The numbers below indicate the level of relativity towards the main part.

1 ---- Main parts (Assembly parts)

2 ---- Sub component included in " 1 ".

3 ---- Sub component included in " 2 ".

Note) Parts that are not for sale are partially illustrated but not listed.

③ Interchangeability Mark

When a part change takes place, one of the following interchangeability symbols is indicated beside the part.

Symbol	Interchangeability	Contents note
N	Old $\begin{matrix} \leftarrow \text{Yes} \\ \text{No} \rightarrow \end{matrix}$ New	New Part is interchangeable for Old Part but Old Part is not interchangeable for New Part.
Q	Old $\begin{matrix} \leftarrow \text{No} \\ \text{Yes} \rightarrow \end{matrix}$ New	New Part is not interchangeable for Old Part but Old Part is interchangeable for New Part.
R	Old $\begin{matrix} \leftarrow \text{Yes} \\ \text{Yes} \rightarrow \end{matrix}$ New	New/ Old Parts are both interchangeable.
S	Old $\begin{matrix} \leftarrow \text{No} \\ \text{No} \rightarrow \end{matrix}$ New	New/ Old Parts are both not interchangeable.
W		Part newly added.
Z		Part discontinued.
F		Not interchangeable by a single part but interchangeable together with related parts.
K		Changes only for used parts quantities.

④ Effective Machine No.

When a part changes, the effective Machine No. will be indicated in the (A)-(F) column.

Product Symbol	Product No.	Product Symbol	Product No.
C	Clutch No. Compressor No.	F	Machine No. (Agricultural Equip.)
D	Drive No.	M	Machine No.
E	Engine No.		

Note 1) A date may follow the symbol. (Ex.) 1996.01

Note 2) "XXXXX" and "ZZZZZ" are for parts that could not be predicted or for engine models that could not be identified.

Note 3) (A=E00185) is the E (Engine Serial Number) for the column (A) model (in this case 4JH-DT) after the parts design change.

⑤ Remarks Mark

Figures or alphabets (symbols) are entered in the remarks column.

The comments (remarks) on parts that are indicated at the bottom of the illustration are the same symbols as those stated above.

Contents

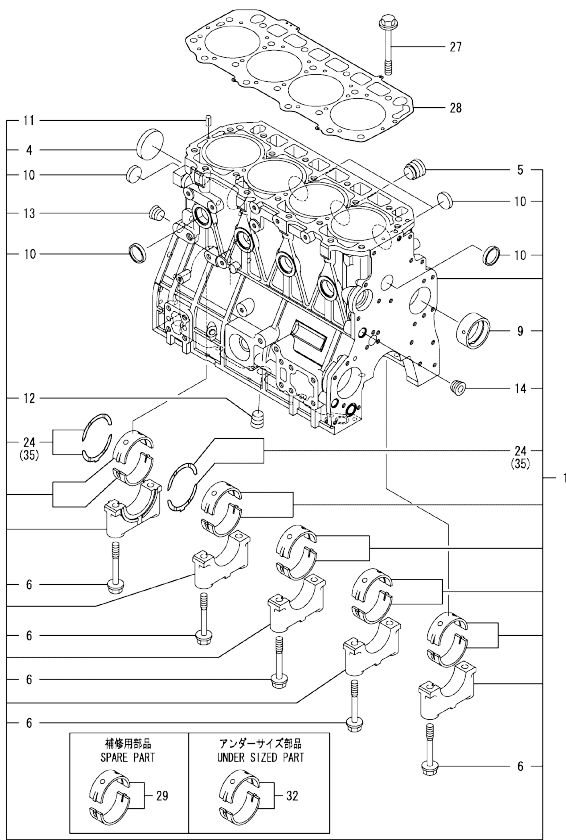
0CW10-M71600

Fig. No.	Fig. Name	Fig. No.	Fig. Name
4TNV98-ZNMS2			
1.	CYLINDER BLOCK		
2.	GEAR HOUSING		
3.	FLYWHEEL HOUSING & OIL SUMP		
4.	CYLINDER HEAD & BONNET		
5.	SUCTION MANIFOLD		
6.	EXHAUST MANIFOLD		
7.	CAMSHAFT & DRIVING GEAR		
8.	CRANKSHAFT & PISTON		
9.	LUB. OIL SYSTEM		
10.	COOLING WATER SYSTEM		
11.	FUEL INJECTION PUMP		
12.	GOVERNOR		
13.	FUEL INJECTION VALVE		
14.	FUEL LINE		
15.	STARTING MOTOR		
16.	ELECTRONIC CONTROL UNIT (ECU)		
17.	GASKET SET		

Fig.1. CYLINDER BLOCK

(A)=4TNV98-ZNMS2
(B)=4TNV98-ZNMS2F
(C)=

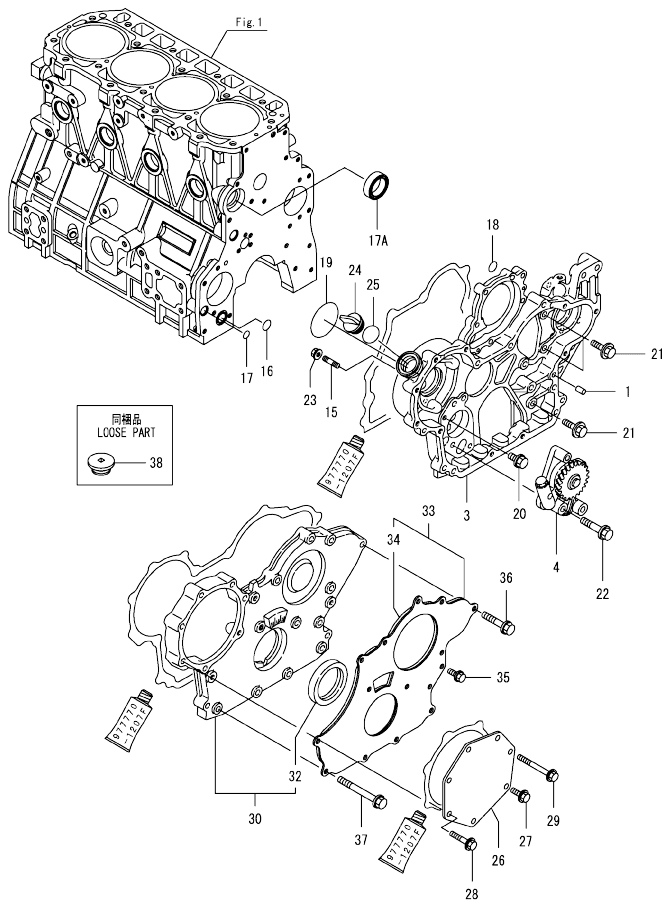
(D)=
(E)=
(F)=



No.	Lev.	Parts No.	Description	Q'ty						I	R
				(A)	(B)	(C)	(D)	(E)	(F)		
1	1	729927-01560	BLOCK ASSY, CYLINDER	1	1						
4	2	129900-01250	PLUG, DISH TYPE 55	1	1						
5	2	171051-01921	PLUG, NPTF1	1	1						
6	2	129900-02020	BOLT, METAL CAP	10	10						
9	2	129900-02410	BUSH, CAMSHAFT	1	1						
10	2	27241-300000	PLUG 30	8	8						
11	2	22351-060012	PIN, SPRING 6.0X12	2	2						
12	2	23876-030000	PLUG, R03	1	1						
13	2	23876-030000	PLUG, R03	1	1						
14	2	23876-030000	PLUG, R03	1	1						
24	2	129900-02931	BEARING ASSY, THRUST	2	2						
27	1	129900-01200	BOLT, CYLINDER HEAD	18	18						
28	1	129907-01331	GASKET, HEAD	1	1						
29	1	729900-02801	BEARING, MAIN	5	5						1
32	1	129900-02341	BEARING ASSY, MAIN	5	5						2
35	1	129900-02941	BEARING, THRUST 0.25	2	2						3

Remarks
 (1)Spare part.
 (2)Under-sized(U.S.=0.25)part.
 (3)Over-sized(O.S.=0.25)part.

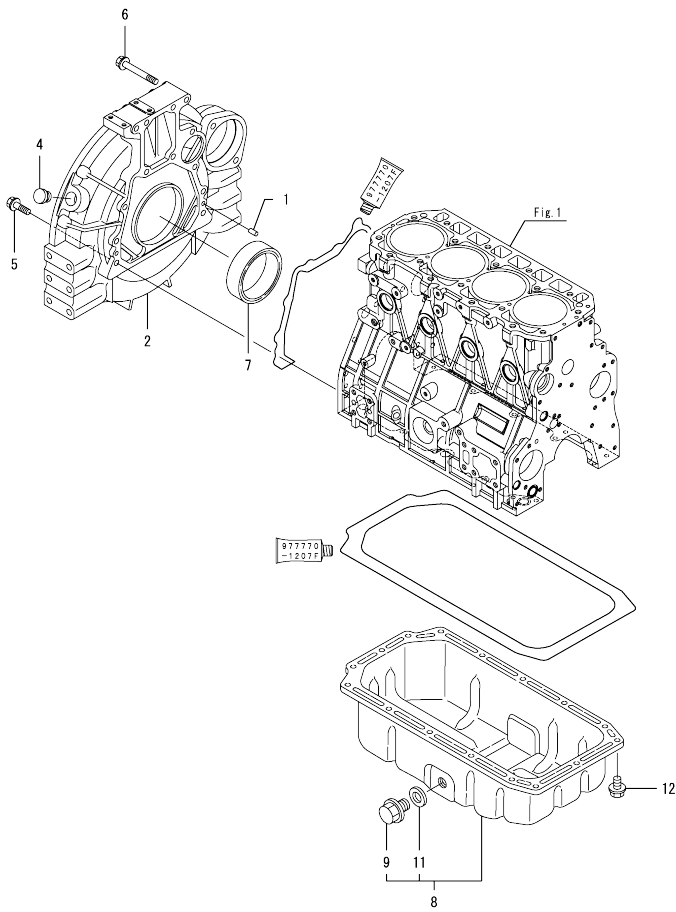
Fig.2. GEAR HOUSING



No.	Lev.	Parts No.	Description	Qty						I	R
				(A)	(B)	(C)	(D)	(E)	(F)		
1	1	129100-01580	PIN, PARALLEL 8X16	4	4						
3	1	129938-01500	CASE ASSY, GEAR	1	1						
4	1	129900-32001	PUMP ASSY, OIL	1	1						
15	1	26216-100302	STUD, M10X 30	4	4						
16	1	129900-32030	O-RING, P20	1	1						
17	1	129900-32040	O-RING, P14	1	1						
17A	1	129927-42140	GASKET, PUMP OUTLET	1	1						W
		(A=2014.09)	(B=ET3380)								
18	1	24311-000070	O-RING, 1AP7.0	1	1						
19	1	24351-030750	O-RING, 1A3075	1	1						
20	1	26106-080162	BOLT, M8X 16 PLATED	1	1						
21	1	26106-080202	BOLT, M8X 20 PLATED	3	3						
22	1	26106-080452	BOLT, M8X 45 PLATED	3	3						
23	1	26306-100002	NUT, M10	4	4						
24	1	124160-01751	CAP, FILLER	1	1						
25	1	24311-000320	O-RING, 1AP32.0	1	1						
26	1	129951-01740	COVER	1	1						
27	1	26106-080202	BOLT, M8X 20 PLATED	1	1						
28	1	26106-080452	BOLT, M8X 45 PLATED	5	5						
29	1	26106-080752	BOLT, M8X 75 PLATED	1	1						
30	1	729907-01559	COVER ASSY,GEAR CASE	1	1						
32	2	129916-01800	SEAL, OIL	1	1						
33	1	129900-01850	COVER ASSY,GEAR CASE	1	1						
34	2	129900-01870	SPONGE, GEAR CASE	1	1						
35	1	26106-080162	BOLT, M8X 16 PLATED	3	3						
36	1	26106-080402	BOLT, M8X 40 PLATED	5	5						
37	1	26106-080702	BOLT, M8X 70 PLATED	6	6						
38	1	119807-11770	PLUG	1	1						

0CW10-M71600 4TNV98-ZNMS2

Fig.3. FLYWHEEL HOUSING & OIL SUMP



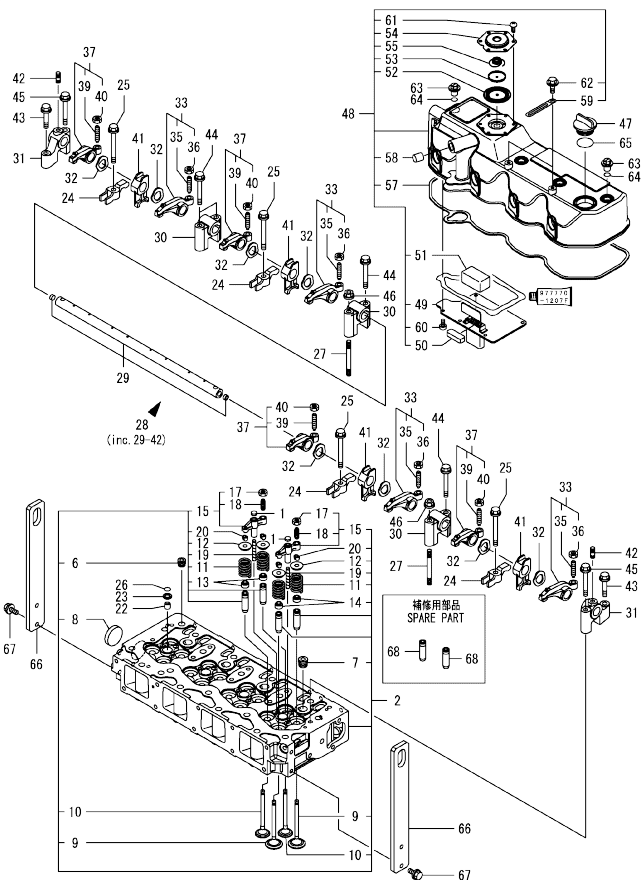
0CW10-M71600 Fig.3

(A)=4TNV98-ZNMS2
(B)=4TNV98-ZNMS2F
(C)=

(D)=
(E)=
(F)=

No.	Lev.	Parts No.	Description	Q'ty						
				(A)	(B)	(C)	(D)	(E)	(F)	
1	1	129100-01580	PIN, PARALLEL 8X16	2	2					
2	1	129900-01620	HOUSING, FLYWHEEL	1	1					
4	1	119620-01750	CAP	1	1					
5	1	26206-100352	BOLT, M10X 35 PLATED	9	9					
6	1	26206-100702	BOLT, M10X 70 PLATED	4	4					
7	1	129916-01790	SEAL, D115/95XT11	1	1					
8	1	129902-01710	OIL PAN ASSY	1	1					
9	2	119640-01640	PLUG, DRAIN M22	1	1					
11	2	22190-220002	WASHER, SEAL 22	1	1					
12	1	26106-080122	BOLT, M8X 12 PLATED	16	16					

Fig.4. CYLINDER HEAD & BONNET



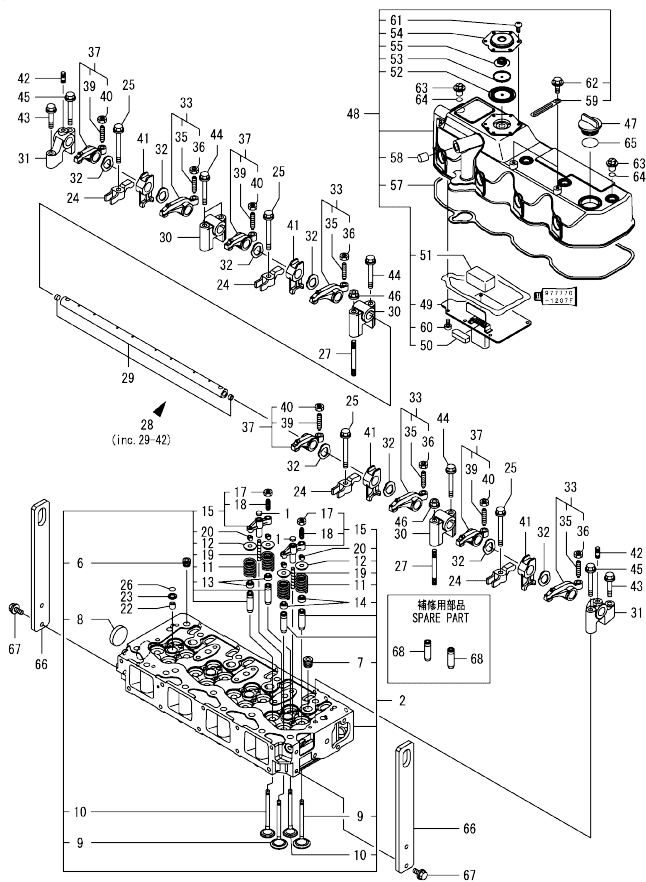
(A)=4TNV98-ZNMS2
(B)=4TNV98-ZNMS2F
(C)=

(D)=
(E)=
(F)=

No.	Lev.	Parts No.	Description	Q'ty						I	R
				(A)	(B)	(C)	(D)	(E)	(F)		
1	1	123907-11550	SEAT, VALVE BRIDGE	8	8						
2	1	129927-11700	HEAD ASSY, CYLINDER	1	1						
6	2	23876-020000	PLUG, R02	1	1						
7	2	23876-030000	PLUG, R03	4	4						
8	2	27241-400000	PLUG, 40	1	1						
9	2	129907-11100	VALVE, SUCTION	8	8						
10	2	129907-11110	VALVE, EXHAUST	8	8						
11	2	129907-11120	SPRING, VALVE	16	16						
12	2	119620-11180	RETAINER, SPRING	16	16						
13	2	119803-11340	SEAL, VALVE STEM	8	8						
14	2	124160-11340	SEAL, VALVE STEM	8	8						
15	2	129907-11510	BRIDGE ASSY, VALVE	8	8						
17	3	129150-11750	NUT, M8	8	8						
18	3	123907-11830	ADJUSTER	8	8						
19	2	123907-11820	GUIDE, BRIDGE	8	8						
20	2	27310-070001	COTTER, 7	16	16						
22	1	119802-11870	PROTECTOR, NOZZLE	4	4						
23	1	119625-11880	SEAT, NOZZLE	4	4						
24	1	129907-11910	RETAINER, NOZZLE	4	4						
25	1	129907-11950	BOLT, M8X75	4	4						
26	1	24311-000120	O-RING, 1AP12.0	4	4						
27	1	119593-11301	BOLT, STUD M8X80	2	2						
28	1	129907-11341	SHAFT ASSY, ROCKER	1	1						
29	2	129907-11250	SHAFT, ROCKER ARM	1	1						
30	2	129907-11260	SUPPORT, ROCKER ARM	3	3						
31	2	129907-11270	SUPPORT, ROCKER ARM	2	2						
32	2	123907-11280	WASHER	8	8						
33	2	129907-11650	ARM ASSY, ROCKER	4	4						
35	3	129150-11230	SCREW, VALVE ADJUST	4	4						
36	3	129150-11750	NUT, M8	4	4						
37	2	129907-11660	ARM ASSY, ROCKER	4	4						
39	3	129150-11230	SCREW, VALVE ADJUST	4	4						
40	3	129150-11750	NUT, M8	4	4						
41	2	129907-11920	RETAINER, NOZZLE	4	4						
42	2	26226-080222	STUD, M8X 22	2	2						
43	1	26106-080402	BOLT, M8X 40 PLATED	2	2						
44	1	26106-080602	BOLT, M8X 60 PLATED	4	4						
45	1	26106-080602	BOLT, M8X 60 PLATED	2	2						
46	1	26306-080002	NUT, M8	2	2						
47	1	124160-01751	CAP, FILLER	1	1						
48	1	129927-11320	BONNET ASSY, HEAD	1	1						
49	2	129907-03011	PLATE, BAFFLE	1	1						
50	2	129907-03061	BAFFLE, BREATHER	1	1						
51	2	129907-03070	BAFFLE, BREATHER	1	1						
52	2	123907-03100	DIAPHRAGM	1	1						
53	2	123907-03110	PLATE	1	1						
54	2	123907-03120	PLATE, BREATHER	1	1						
55	2	123907-03140	SPRING, DIAPHRAGM	1	1						
57	2	129933-11310	GASKET, BONNET	1	1						
58	2	119640-61400	PLUG	1	1						
59	2	175339-79700	CLIP	2	2						

Remarks
(1)Spare part.

Fig.4. CYLINDER HEAD & BONNET



(A)=4TNV98-ZNMS2
(B)=4TNV98-ZNMS2F
(C)=

(D)=
(E)=
(F)=

No.	Lev.	Parts No.	Description	Q'ty						
				(A)	(B)	(C)	(D)	(E)	(F)	
60	2	22857-500100	SCREW, 5X10	6	6					
61	2	22857-500100	SCREW, 5X10	6	6					
62	2	26106-060122	BOLT, M6X 12 PLATED	2	2					
63	1	124160-11360	KNOB	4	4					
64	1	24311-000120	O-RING, 1AP12.0	4	4					
65	1	24311-000320	O-RING, 1AP32.0	1	1					
66	1	129973-07910	LIFTER	2	2					
67	1	26106-080202	BOLT, M8X 20 PLATED	4	4					
68	1	129907-11800	GUIDE, VALVE	16	16					1

Remarks
(1)Spare part.

0CW10-M71600 4TNV98-ZNMS2

Fig.5. SUCTION MANIFOLD

0CW10-M71600 Fig.5

(A)=4TNV98-ZNMS2
(B)=4TNV98-ZNMS2F
(C)=

(D)=
(E)=
(F)=

No.	Lev.	Parts No.	Description	Q'ty					
				(A)	(B)	(C)	(D)	(E)	(F)
1	1	129968-12101	MANIFOLD, AIR INTAKE	1	1				
2	1	129907-12110	GASKET, MANIFOLD	1	1				
3	1	26106-080552	BOLT, M8X 55 PLATED	5	5				
4	1	26106-080852	BOLT, M8X 85 PLATED	5	5				
5	1	119129-77020	GASKET	1	1				
6	1	121850-77021	GASKET, AIR HEATER	1	1				
7	1	119005-77051	HEATER, AIR	1	1				
8	1	119129-77520	BEND	1	1				
9	1	26106-080402	BOLT, M8X 40 PLATED	2	2				
10	1	26106-080902	BOLT, M8X 90 PLATED	2	2				

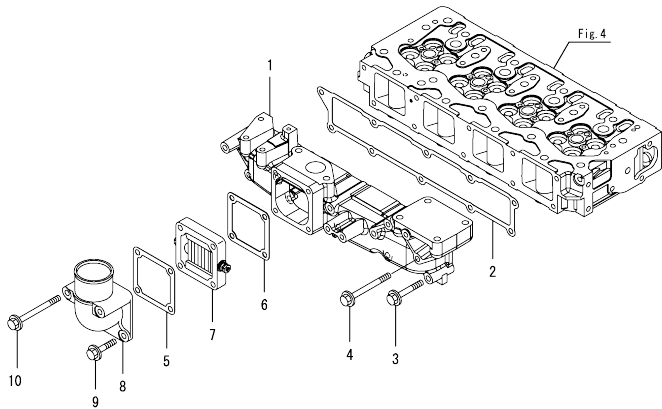
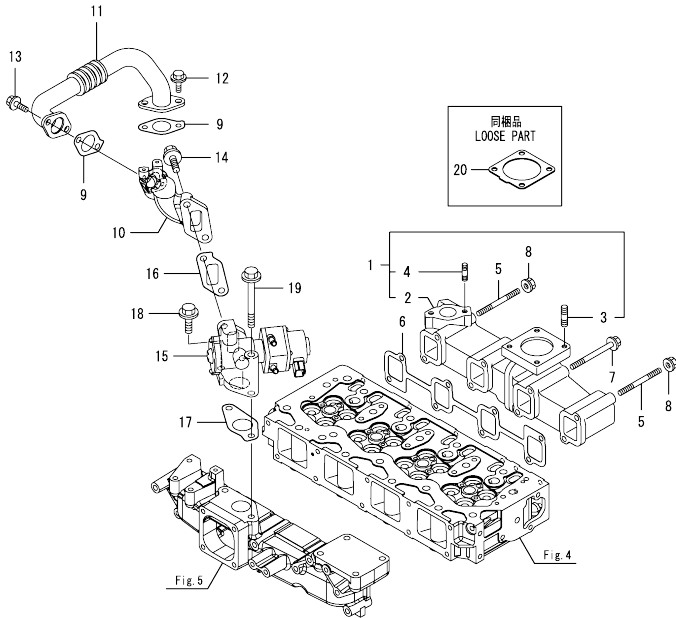


Fig.6. EXHAUST MANIFOLD

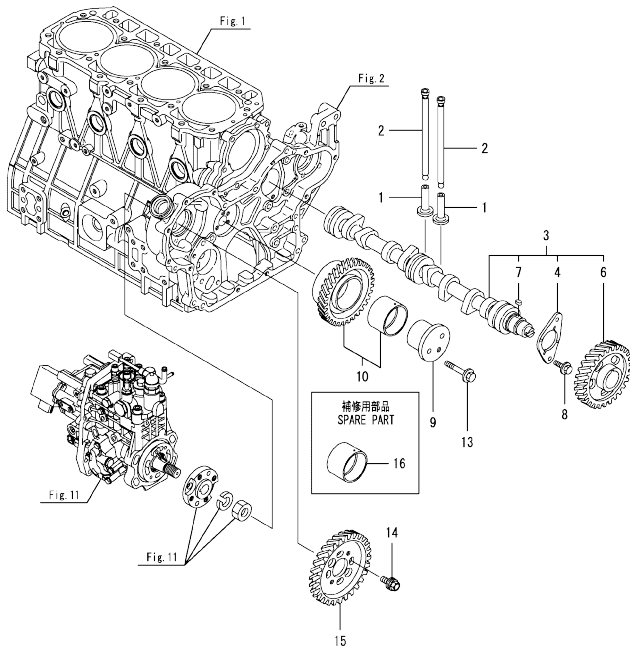


(A)=4TNV98-ZNMS2
(B)=4TNV98-ZNMS2F
(C)=

(D)=
(E)=
(F)=

No.	Lev.	Parts No.	Description	Q'ty						I	R
				(A)	(B)	(C)	(D)	(E)	(F)		
1	1	129968-13150	MANIFOLD ASSY, EXH.	1	1						
2	2	129968-13100	MANIFOLD, EXHAUST	1	1						
3	2	119131-18320	BOLT, STUD M8X22	4	4						
4	2	129418-18320	BOLT, STUD M8X20	2	2						
5	1	129263-13210	BOLT, STUD M8X90	2	2						
6	1	129900-13251	GASKET, EXH.MANIFOLD	1	1						
7	1	119802-13680	BOLT, M8X90 10.9T	6	6						
8	1	26306-080002	NUT, M8	2	2						
9	1	129927-13810	GASKET	2	2						
10	1	129973-13840	PIPE	1	1						
11	1	129968-13850	PIPE ASSY	1	1						
12	1	26106-080162	BOLT, M8X 16 PLATED	2	2						
13	1	26106-080162	BOLT, M8X 16 PLATED	2	2						
14	1	26106-100302	BOLT, M10X 30 PLATED	2	2						
15	1	129928-13900	VALVE, EGR	1	1						
16	1	129927-13910	GASKET, EGR	1	1						
17	1	129927-13920	GASKET, EGR	1	1						
18	1	26106-100302	BOLT, M10X 30 PLATED	1	1						
19	1	26106-100952	BOLT, M10X 95 PLATED	1	1						
20	1	129930-13201	GASKET, SILENCER	1	1						

Fig.7. CAMSHAFT & DRIVING GEAR



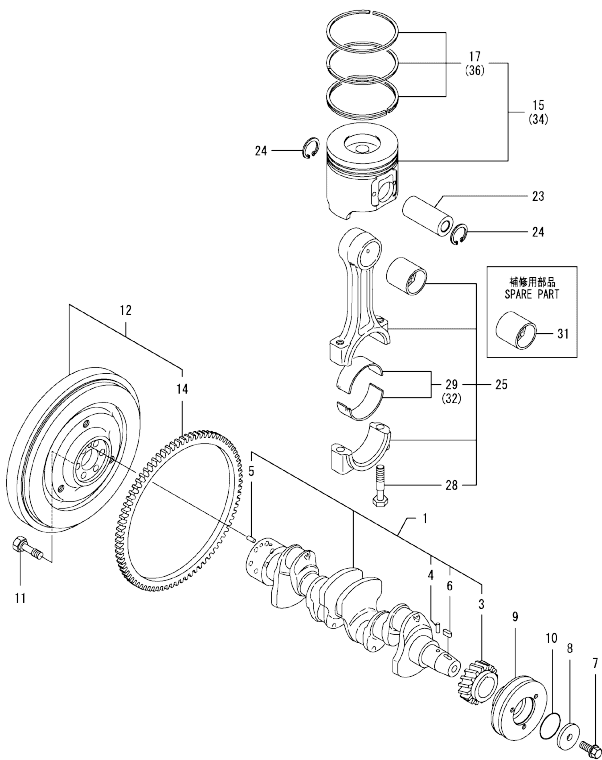
(A)=4TNV98-ZNMS2
(B)=4TNV98-ZNMS2F
(C)=

(D)=
(E)=
(F)=

No.	Lev.	Parts No.	Description	Q'ty						
				(A)	(B)	(C)	(D)	(E)	(F)	
1	1	129150-14200	TAPPET	8	8					
2	1	129907-14400	PUSH-ROD	8	8					
3	1	129908-14581	CAMSHAFT ASSY	1	1					
4	2	129150-02450	BEARING, THRUST	1	1					
6	2	129900-14100	GEAR, CAMSHAFT	1	1					
7	2	22512-070140	KEY, 7X 14	1	1					
8	1	26106-080162	BOLT, M8X 16 PLATED	2	2					
9	1	123900-25060	SHAFT, IDLE GEAR	1	1					
10	1	129900-25100	GEAR ASSY, IDLE	1	1					
13	1	26106-080552	BOLT, M8X 55 PLATED	3	3					
14	1	129953-25300	BOLT	4	4					
15	1	129907-25900	GEAR, PUMP	1	1					
16	1	129150-25920	BUSH, IDLE GEAR	1	1					1

Remarks
(1)Spare part.

Fig.8. CRANKSHAFT & PISTON



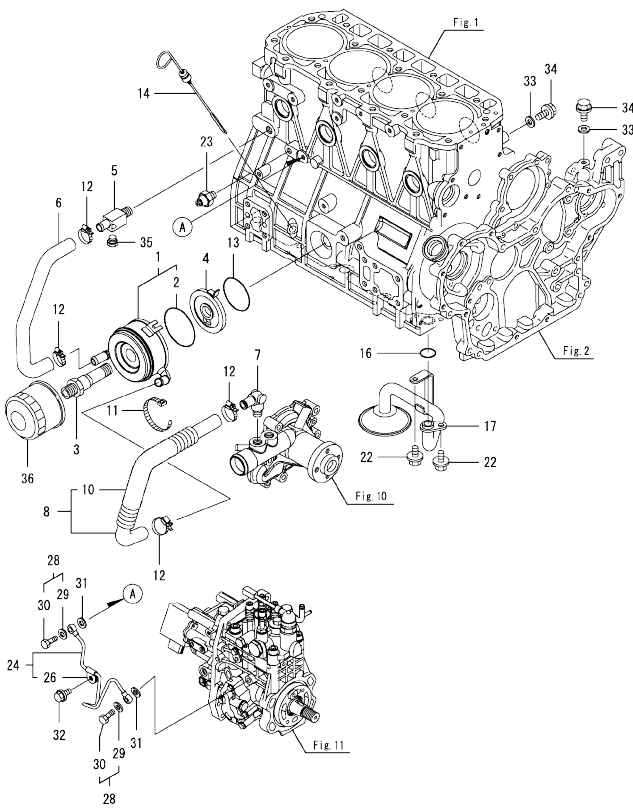
(A)=4TNV98-ZNMS2
(B)=4TNV98-ZNMS2F
(C)=

(D)=
(E)=
(F)=

No.	Lev.	Parts No.	Description	Q'ty						I	R
				(A)	(B)	(C)	(D)	(E)	(F)		
1	1	129902-21000	CRANKSHAFT ASSY	1	1						
3	2	129900-21200	GEAR, CRANKSHAFT	1	1						
4	2	121850-21290	PIN	1	1						
5	2	121850-21920	PIN, PARALLEL 10X22	1	1						
6	2	22512-070140	KEY, 7X 14	1	1						
7	1	129916-21610	BOLT	1	1						
8	1	129960-21640	WASHER	1	1						
9	1	129944-21650	V-PULLEY, CRANK 130B	1	1						
10	1	24341-000530	O-RING, 1AS53.0	1	1						
11	1	121850-21130	BOLT, FLYWHEEL	6	6						
12	1	129953-21570	FLYWHEEL ASSY	1	1						
14	2	129900-21600	GEAR, RING	1	1						
15	1	129927-22080	PISTON ASSY	4	4						
17	2	129927-22050	RING SET, PISTON	4	4						
23	1	120130-22301	PIN, PISTON	4	4						
24	1	22252-000300	RING, 30	8	8						
25	1	129900-23001	ROD ASSY, CONNECTING	4	4						
28	2	129900-23200	BOLT, CONNECTING ROD	8	8						
29	2	129900-23601	BEARING, CRANK PIN	4	4						
31	1	129900-23911	BEARING, PISTON PIN	4	4						1
32	1	129900-23611	BEARING ASSY, 0.25US	4	4						2
34	1	729927-22900	PISTON ASSY, 0.25 OS	4	4						3
36	2	729927-22950	RING SET, 0.25 OS	4	4						3

Remarks
 (1)Spare part.
 (2)Under-sized(U.S.=0.25)part.
 (3)Over-sized(O.S.=0.25)part.

Fig.9. LUB. OIL SYSTEM



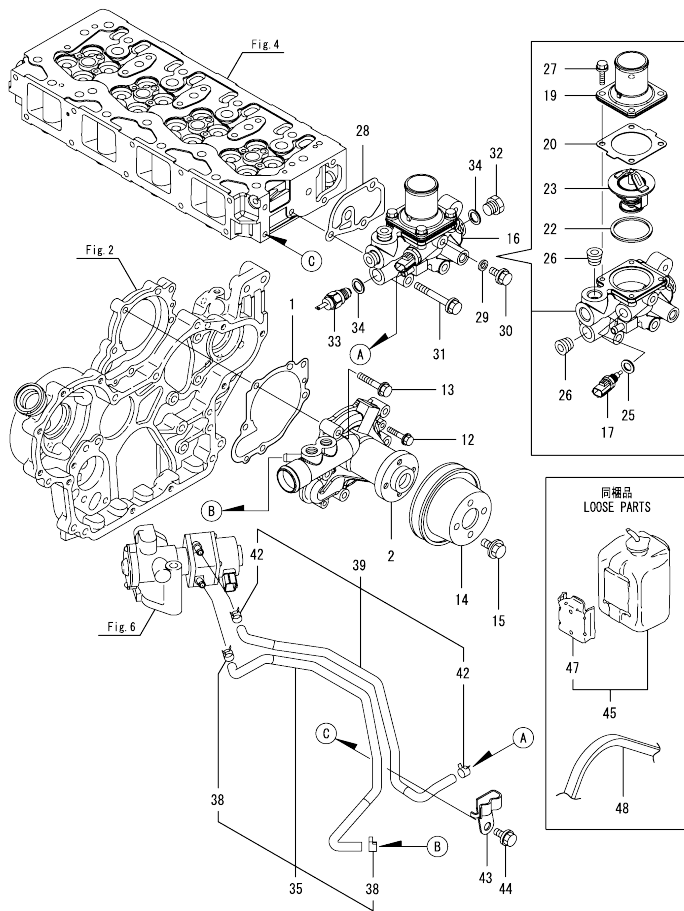
(A)=4TNV98-ZNMS2
(B)=4TNV98-ZNMS2F
(C)=

(D)=
(E)=
(F)=

No.	Lev.	Parts No.	Description	Qty						
				(A)	(B)	(C)	(D)	(E)	(F)	
1	1	129908-33010	COOLER ASSY, OIL	1	1					
2	2	123912-33050	O-RING	1	1					
3	1	123912-33100	BOLT, COOLER	1	1					
4	1	129908-33101	BRACKET, OIL COOLER	1	1					
5	1	129006-44480	JOINT	1	1					
6	1	129908-49060	HOSE, WATER	1	1					
7	1	129466-49300	ELBOW, PT3/8	1	1					
8	1	123910-49600	HOSE ASSY WATER	1	1					
10	2	123910-49610	TUBE, CORRUGATED	1	1					
11	1	121750-59890	BAND, NYLON	1	1					
12	1	23000-025000	CLAMP, 25	4	4					
13	1	24321-000600	O-RING, 1AG60.0	1	1					
14	1	129939-34800	DIPSTICK, OIL	1	1					
16	1	129900-32030	O-RING, P20	1	1					
17	1	129900-35000	PIPE ASSY, OIL INLET	1	1					
22	1	26106-080122	BOLT, M8X 12 PLATED	2	2					
23	1	121252-39450	SWITCH, HYDRAULIC	1	1					
24	1	129927-39060	PIPE ASSY, OIL	1	1					
26	2	123907-39500	RETAINER, PIPE	1	1					
28	1	129005-59830	BOLT ASSY, JOINT M8	2	2					
29	2	22190-080002	WASHER, SEAL 6	2	2					
30	2	23857-030000	BOLT, JOINT 3	2	2					
31	1	22190-080002	WASHER, SEAL 6	2	2					
32	1	26106-080122	BOLT, M8X 12 PLATED	1	1					
33	1	22190-080002	WASHER, SEAL 6	2	2					
34	1	26106-080122	BOLT, M8X 12 PLATED	2	2					
35	1	171056-49120	PLUG, DRAIN R1/4	1	1					
36	1	129150-35153	FILTER ASSY, D80X80L	1	1					1

Remarks
(1)Spare part.

Fig.10. COOLING WATER SYSTEM



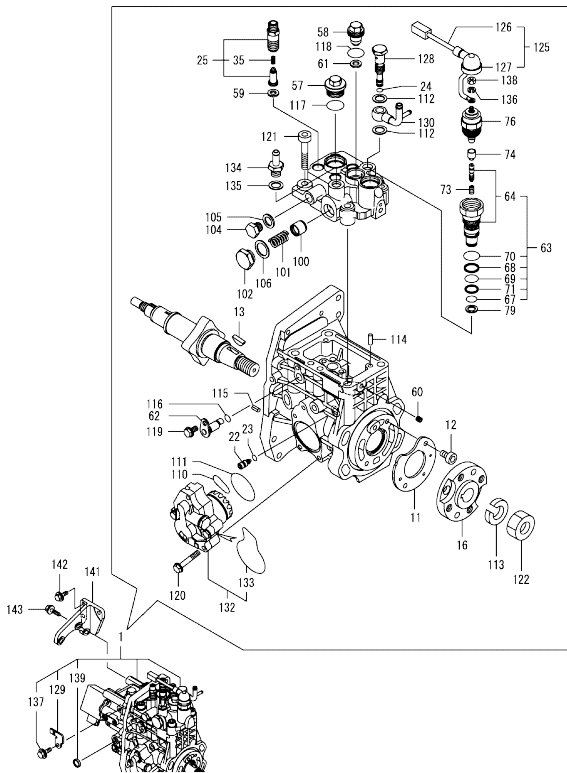
(A)=4TNV98-ZNMS2
(B)=4TNV98-ZNMS2F
(C)=

(D)=
(E)=
(F)=

No.	Lev.	Parts No.	Description	Qty						I	R
				(A)	(B)	(C)	(D)	(E)	(F)		
1	1	129900-42020	GASKET, WATER PUMP	1	1						
2	1	129948-42100	PUMP ASSY, WATER	1	1						
12	1	26106-060302	BOLT, M6X 30 PLATED	2	2						
13	1	26106-080552	BOLT, M8X 55 PLATED	5	5						
14	1	123900-42450	V-PULLEY, C.W.PUMP	1	1						
15	1	26106-100182	BOLT, M10X 18 PLATED	4	4						
16	1	129938-49800	CASE ASSY.THERMOSTAT	1	1						
17	2	129927-44900	SENSOR, WATER TEMP	1	1						
19	2	129916-49530	COVER, THERMOSTAT	1	1						
20	2	121850-49540	GASKET, THERMOSTAT	1	1						
22	2	121850-49550	GASKET, THERMOSTAT	1	1						
23	2	121850-49801	THERMOSTAT, 82C	1	1						
25	2	22190-120002	WASHER, SEAL 12	1	1						
26	2	23875-030000	PLUG, R03	2	2						
27	2	26106-060202	BOLT, M6X 20 PLATED	4	4						
28	1	129900-49870	GASKET, THERMOSTAT	1	1						
29	1	23414-080000	GASKET, 8X1.0	1	1						
30	1	26106-080122	BOLT, M8X 12 PLATED	1	1						
31	1	26106-080602	BOLT, M8X 60 PLATED	3	3						
32	1	121450-42450	PLUG, M16	1	1						
33	1	119761-44901	SWITCH, THERMO 110	1	1						
34	1	124465-44950	GASKET, 16	2	2						
35	1	129968-49610	PIPE, WATER	1	1						
38	2	23080-012000	CLAMP, 12	2	2						
39	1	129968-49620	PIPE, WATER	1	1						
42	2	23080-012000	CLAMP, 12	2	2						
43	1	129968-49850	RETAINER, PIPE	1	1						
44	1	26106-080142	BOLT, M8X 14 PLATED	1	1						
45	1	720445-44200	TANK ASSY, SUB	1	1						
47	2	120445-44540	SUPPORT	1	1						
48	1	25153-004500	V-BELT, B45	1	1						

N:Old $\frac{100}{100}$ New, Q:Old $\frac{100}{100}$ New, R:Old $\frac{100}{100}$ New, S:Old $\frac{100}{100}$ New, W:Add, Z:Discontinued, F:Interchangeable by set, K:Qty Change
Copyright (C) YANMAR GLOBAL CS CO., LTD. All Rights Reserved.

Fig.11. FUEL INJECTION PUMP



Remarks

(1)Governor(Fig.12)is incorporated in this Fuel Injection Pump (Ref.1).
 (1)Eco Pump
 Make sure to update the engines ECU information when replacing the Eco Pump.
 Failing to do so will result in engine malfunction.

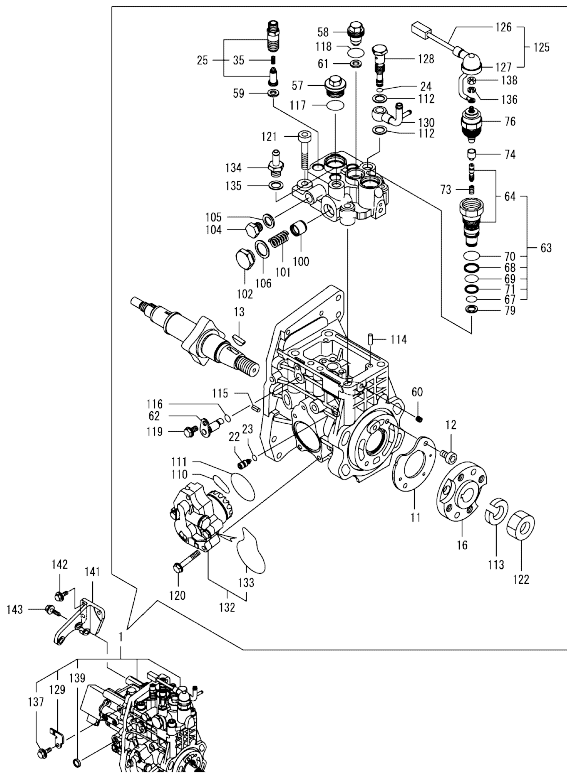
(A)=4TNV98-ZNMS2
 (B)=4TNV98-ZNMS2F
 (C)=

(D)=
 (E)=
 (F)=

No.	Lev.	Parts No.	Description	Q'ty						I	R	
				(A)	(B)	(C)	(D)	(E)	(F)			
1	1	729939-51320	PUMP ASSY, INJECTION	1	1						1	
11	2	129928-51900	COVER	1	1							
12	2	129008-51920	BOLT, SOCKET M6X10	2	2							
13	2	144626-51090	FEATHER KEY, 5X19	1	1							
16	2	158563-51150	FLANGE	1	1							
22	2	158600-51270	STOPPER, TAPPET	1	1							
23	2	158563-51281	O-RING, 4D S6	1	1							
24	2	158563-51281	O-RING, 4D S6	1	1							
25	2	129927-51390	VALVE ASSY, DELIVERY	4	4							
35	3	158563-51330	SPRING, DELIVERY	4	4							
57	2	158601-51550	PLUG, M22	1	1							
58	2	129907-51560	PLUG, M16	1	1							
59	2	158552-51571	GASKET, PLUG	4	4							
60	2	158557-51570	PLUG, RACK	1	1							
61	2	129906-51580	GASKET, PLUG	1	1							
62	2	158552-51580	LIFTER, LINK	1	1							
63	2	129657-51590	TIMER ASSY	1	1							
64	3	129657-51600	TIMER ASSY	1	1							
67	3	158553-51670	O-RING	1	1							
68	3	119802-51680	RING, BACKUP	1	1							
69	3	119802-51690	O-RING	1	1							
70	3	24356-190200	O-RING, 4D19020	1	1							
71	3	24372-000150	RING, BACK UP T2P15	1	1							
73	2	119852-51630	SPRING, TIMER	1	1							
74	2	119852-51640	CAP, TIMER	1	1							
76	2	119852-51650	VALVE ASSY, SOLENOID	1	1							
79	2	158553-51680	GASKET, TIMER	1	1							
100	2	158601-51770	PISTON, ACCUMULATOR	1	1							
101	2	158552-51781	SPRING, ACCUMULATOR	1	1							
102	2	158601-51790	PLUG	1	1							
104	2	158553-51930	PLUG, M12	1	1							
105	2	22190-120002	WASHER, SEAL 12	1	1							
106	2	22190-180002	WASHER, SEAL 18	1	1							
110	2	158552-52311	O-RING	1	1							
111	2	158552-52400	O-RING, 4E S42	1	1							
112	2	22190-120002	WASHER, SEAL 12	2	2							
113	2	22217-180000	WASHER, SPRING 18	1	1							
114	2	22312-050140	PIN, PARALLEL M5X14	2	2							
115	2	22351-050010	PIN, SPRING 5.0X10	2	2							
116	2	24311-000070	O-RING, 1AP7.0	1	1							
117	2	24356-190200	O-RING, 4D19020	1	1							
118	2	24356-240210	O-RING, 4D24021	1	1							
119	2	26106-060102	BOLT, M6X 10 PLATED	1	1							
120	2	26106-060352	BOLT, M6X 35 PLATED	4	4							
121	2	26450-100452	BOLT, M10X 45	4	4							
122	2	26776-180002	NUT, LOCK M18	1	1							
125	2	129927-51650	HARNES ASSY, WIRE	1	1							
126	3	129927-51660	HARNES	1	1							
127	3	129263-77941	CAP, RUBBER	1	1							
128	2	158601-51650	JOINT, OVER FLOW	1	1							
129	2	129927-51670	BRACKET	1	1							

N:Old $\frac{New}{Old}$ New, Q:Old $\frac{New}{Old}$ New, R:Old $\frac{New}{Old}$ New, S:Old $\frac{New}{Old}$ New, W:Add, Z:Discontinued, F:Interchangeable by set, K:Q'ty Change
 ++ CONTINUE ++
 Copyright (C) YANMAR GLOBAL CS CO., LTD. All Rights Reserved.

Fig.11. FUEL INJECTION PUMP



(A)=4TNV98-ZNMS2
(B)=4TNV98-ZNMS2F
(C)=

(D)=
(E)=
(F)=

No.	Lev.	Parts No.	Description	Q'ty					
				(A)	(B)	(C)	(D)	(E)	(F)
130	2	158552-51670	JOINT, OVER FLOW	1	1				
132	2	158552-52100	PUMP ASSY, FUEL FEED	1	1				
133	3	158552-52500	O-RING	1	1				
134	2	119934-59910	JOINT, PIPE	1	1				
135	2	22190-120002	WASHER, SEAL 12	1	1				
136	2	22217-050000	WASHER, SPRING 5	1	1				
137	2	26106-060122	BOLT, M6X 12 PLATED	1	1				
138	2	26716-050002	NUT, M5	1	1				
139	2	27241-160000	PLUG, 16	1	1				
141	1	129927-51250	RETAINER, PUMP	1	1				
142	1	26106-080202	BOLT, M8X 20 PLATED	3	3				
143	1	26106-080302	BOLT, M8X 30 PLATED	3	3				

Remarks

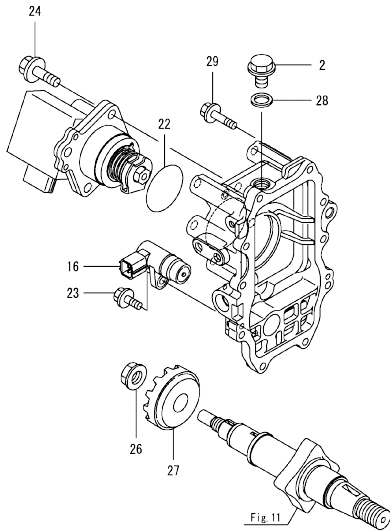
(1)Governor(Fig.12)is incorporated in this Fuel Injection Pump (Ref.1).
(1)Eco Pump
Make sure to update the engines ECU information when replacing the Eco Pump.
Failing to do so will result in engine malfunction.

Fig.12. GOVERNOR

(A)=4TNV98-ZNMS2
(B)=4TNV98-ZNMS2F
(C)=

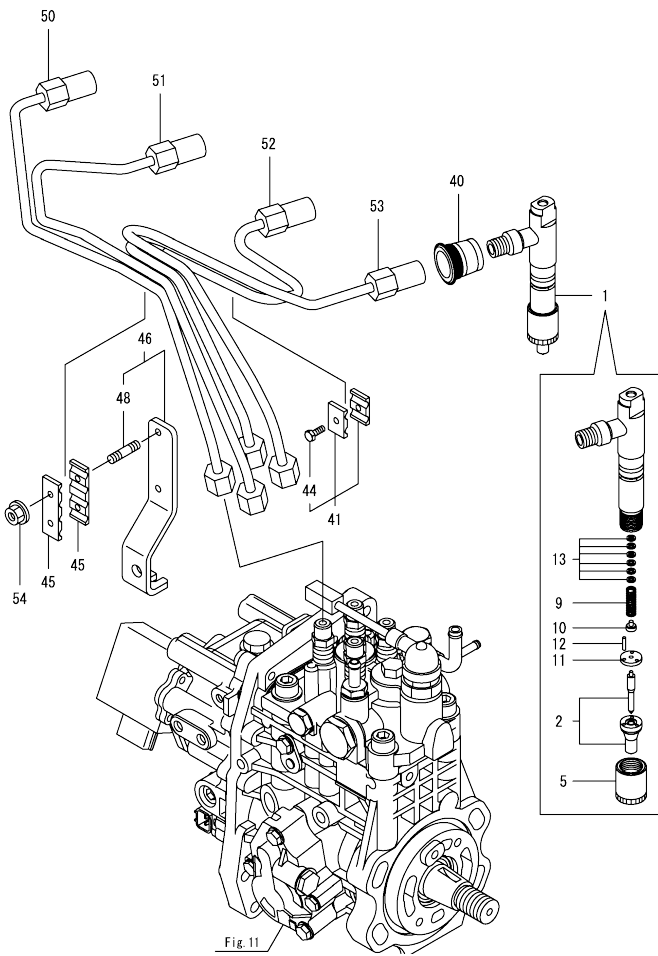
(D)=
(E)=
(F)=

No.	Lev.	Parts No.	Description	Q'ty					
				(A)	(B)	(C)	(D)	(E)	(F)
2	2	158553-51930	PLUG, M12	1	1				
16	2	158557-61720	SENSOR	1	1				
22	2	24341-000480	O-RING, 1AS48.0	1	1				
23	2	26106-060162	BOLT, M6X 16 PLATED	1	1				
24	2	26106-080252	BOLT, M8X 25 PLATED	3	3				
26	2	129008-61301	NUT	1	1				
27	2	158553-61780	GEAR, SENSOR	1	1				
28	2	22190-120002	WASHER, SEAL 12	1	1				
29	2	26106-060252	BOLT, M6X 25 PLATED	10	10				



Remarks
*This figure(Governor)is incorporated
in the Fuel Injection Pump (Fig.11).

Fig.13. FUEL INJECTION VALVE

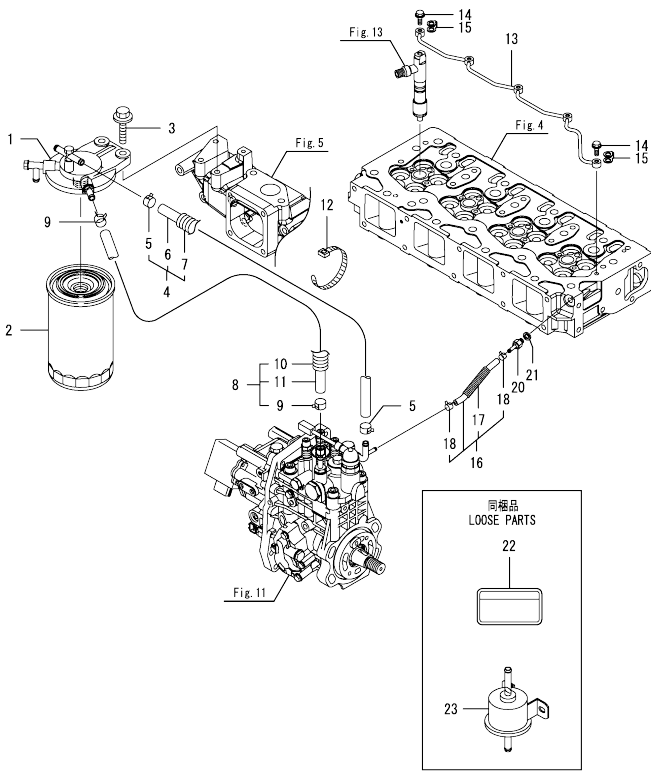


(A)=4TNV98-ZNMS2
(B)=4TNV98-ZNMS2F
(C)=

(D)=
(E)=
(F)=

No.	Lev.	Parts No.	Description	Q'ty						I	R
				(A)	(B)	(C)	(D)	(E)	(F)		
1	1	729927-53100	FUEL INJECTOR ASSY	4	4						
2	2	129927-53000	NOZZLE ASSY, F.I.	4	4						
5	2	114250-53080	NUT, NOZZLE	4	4						
9	2	114250-53120	SPRING, NOZZLE	4	4						
10	2	114250-53130	SEAT, SPRING	4	4						
11	2	114250-53140	SPACER	4	4						
12	2	114250-53210	PIN	8	8						
13	2	119803-53400	SHIM SET	4	4						
40	1	123907-11601	SEAL, PIPE	4	4						
41	1	119305-59120	RETAINER, PIPE	1	1						
44	2	129150-59131	BOLT, M4X14	1	1						
45	1	123472-59120	RETAINER, PIPE	2	2						
46	1	129973-59700	SUPPORT ASSY	1	1						
48	2	26216-060202	STUD, M6X 20	2	2						
50	1	129973-59810	PIPE ASSY, INJECTION	1	1						
51	1	129973-59820	PIPE ASSY, INJECTION	1	1						
52	1	129973-59830	PIPE ASSY, INJECTION	1	1						
53	1	129973-59840	PIPE ASSY, INJECTION	1	1						
54	1	26366-060002	NUT, M6	2	2						

Fig.14. FUEL LINE

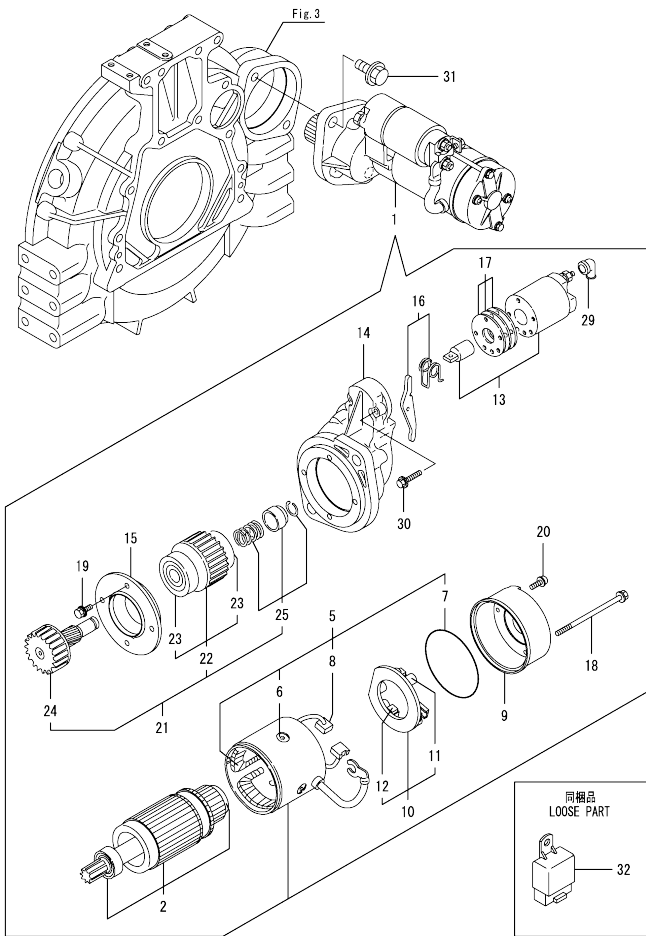


(A)=4TNV98-ZNMS2
(B)=4TNV98-ZNMS2F
(C)=

(D)=
(E)=
(F)=

No.	Lev.	Parts No.	Description	Q'ty						
				(A)	(B)	(C)	(D)	(E)	(F)	
1	1	129004-55612	BRACKET, FILTER	1	1					
2	1	129907-55801	FILTER, FUEL	1	1					
3	1	26106-080302	BOLT, M8X 30 PLATED	2	2					
4	1	129467-59010	HOSE ASSY, FUEL	1	1					
5	2	124766-59050	CLAMP, HOSE 11.5	2	2					
6	2	129335-59090	HOSE, FUEL D13X500	1	1					
7	2	119560-59110	TUBE, CORRUGATED 15	1	1					
8	1	129950-59211	HOSE ASSY, FUEL	1	1					
9	2	124766-59050	CLAMP, HOSE 11.5	2	2					
10	2	129950-59221	TUBE, CORRUGATED 15	1	1					
11	2	105025-59530	HOSE, FUEL D13X400	1	1					
12	1	121750-59890	BAND, NYLON	1	1					
13	1	129907-59140	PIPE ASSY, RETURN	1	1					
14	1	123907-59540	BOLT, PIPE JOINT M6	5	5					
15	1	123907-59550	GASKET	5	5					
16	1	129927-59550	HOSE ASSY, RETURN	1	1					
17	2	129263-49750	TUBE, CORRUGATED	1	1					
18	2	124722-59050	CLAMP, HOSE 9	2	2					
20	1	123907-59560	JOINT, HOSE	1	1					
21	1	22190-080002	WASHER, SEAL 6	1	1					
22	1	114110-07761	LABEL, FUEL OIL CAUT	1	1					
23	1	119225-52102	PUMP, FUEL FEED	1	1					

Fig.15. STARTING MOTOR

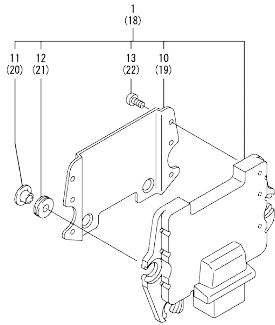


(A)=4TNV98-ZNMS2
(B)=4TNV98-ZNMS2F
(C)=

(D)=
(E)=
(F)=

No.	Lev.	Parts No.	Description	Qty						I	R
				(A)	(B)	(C)	(D)	(E)	(F)		
1	1	129940-77011	STARTER ASSY	1	1						
2	2	129940-77100	ARMATURE ASSY	1	1						
5	2	129940-77130	COIL ASSY, FIELD	1	1						
6	3	129940-77140	SCREW, CORE SET	4	4						
7	3	129940-77150	O-RING	1	1						
8	3	129940-77160	BRUSH	2	2						
9	2	129940-77171	COVER	1	1						
10	2	129940-77181	HOLDER ASSY, BRUSH	1	1						
11	3	129940-77190	SPRING, BRUSH	1	1						
12	3	129940-77200	BRUSH	2	2						
13	2	129940-77210	SWITCH ASSY, MAGNET	1	1						
14	2	129940-77221	CASE, GEAR	1	1						
15	2	129940-77230	RETAINER, BEARING	1	1						
16	2	129940-77240	LEVER SET	1	1						
17	2	129940-77250	COVER KIT, DUST	1	1						
18	2	129940-77260	BOLT, THROUGH	2	2						
19	2	129940-77270	BOLT	4	4						
20	2	129940-77280	SCREW	2	2						
21	2	123900-77510	PINION ASSY	1	1						
22	3	123900-77520	CLUTCH ASSY	1	1						
23	4	X2240610100	BEARING, BALL	2	2						
24	3	123900-77540	SHAFT, PINION	1	1						
25	3	119131-77550	STOPPER SET, PINION	1	1						
29	2	121254-77810	COVER, TERMINAL	1	1						
30	2	114371-79070	BOLT	2	2						
31	1	26106-120252	BOLT, M12X 25 PLATED	2	2						
32	1	198461-52950	RELAY, CA TYPE C	1	1						

Fig.16. ELECTRONIC CONTROL UNIT (ECU)



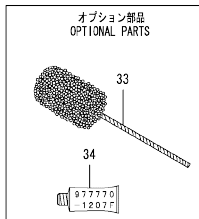
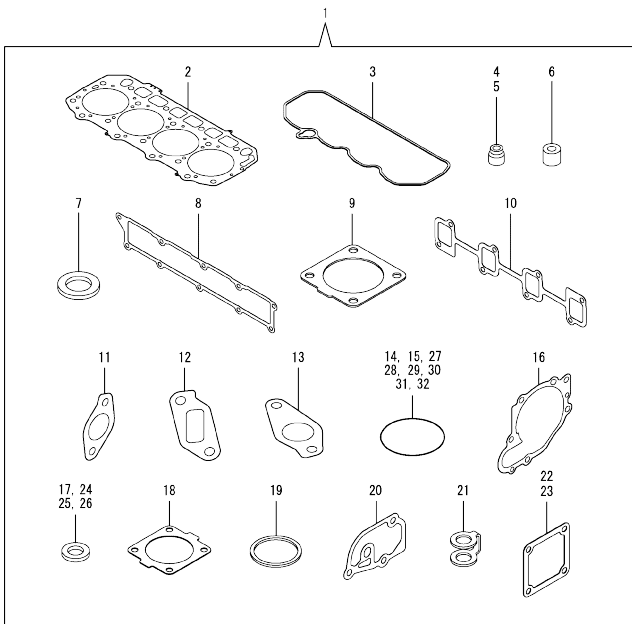
(A)=4TNV98-ZNMS2
(B)=4TNV98-ZNMS2F
(C)=

(D)=
(E)=
(F)=

No.	Lev.	Parts No.	Description	Q'ty						
				(A)	(B)	(C)	(D)	(E)	(F)	
1	1	129939-75150	ECU,CMP(4TNV98-ZNMS2	1	1					1
10	2	129927-77600	SHIELD, ECU	1	1					
11	2	129927-77680	COLLAR, CONTROL	3	3					
12	2	119578-91351	ABSORBER	3	3					
13	2	22877-500080	SCREW, 5X 8	6	6					
18	1	129927-75900	ECU ASSY, SERVICE	1	1					2
19	2	129927-77600	SHIELD, ECU	1	1					
20	2	129927-77680	COLLAR, CONTROL	3	3					
21	2	119578-91351	ABSORBER	3	3					
22	2	22877-500080	SCREW, 5X 8	6	6					

Remarks
(1)Eco ECU
This part cannot be ordered.
Replace the part using a Service ECU with the proper engine information installed.
(2)Service ECU
If the proper information is not installed, the engine will not operate.
To install proper information, go to an authorized Distributor.

Fig.17. GASKET SET



(A)=4TNV98-ZNMS2
(B)=4TNV98-ZNMS2F
(C)=

(D)=
(E)=
(F)=

No.	Lev.	Parts No.	Description	Q'ty						I	R
				(A)	(B)	(C)	(D)	(E)	(F)		
1	1	729927-92680	GASKET SET	1	1						1
2	2	129907-01331	GASKET, HEAD	1	1						
3	2	129933-11310	GASKET, BONNET	1	1						
4	2	119803-11340	SEAL, VALVE STEM	8	8						
5	2	124160-11340	SEAL, VALVE STEM	8	8						
6	2	119802-11870	PROTECTOR, NOZZLE	4	4						
7	2	119625-11880	SEAT, NOZZLE	4	4						
8	2	129907-12110	GASKET, MANIFOLD	1	1						
9	2	129930-13201	GASKET, SILENCER	1	1						
10	2	129900-13251	GASKET, EXH.MANIFOLD	1	1						
11	2	129927-13810	GASKET	1	1						
12	2	129927-13910	GASKET, EGR	1	1						
13	2	129927-13920	GASKET, EGR	1	1						
14	2	129900-32030	O-RING, P20	2	2						
15	2	129900-32040	O-RING, P14	1	1						
16	2	129900-42020	GASKET, WATER PUMP	1	1						
17	2	124465-44950	GASKET, 16	2	2						
18	2	121850-49540	GASKET, THERMOSTAT	1	1						
19	2	121850-49550	GASKET, THERMOSTAT	1	1						
20	2	129900-49870	GASKET, THERMOSTAT	1	1						
21	2	123907-59550	GASKET	5	5						
22	2	119129-77020	GASKET	1	1						
23	2	121850-77021	GASKET, AIR HEATER	1	1						
24	2	22190-080002	WASHER, SEAL 6	7	7						
25	2	22190-120002	WASHER, SEAL 12	1	1						
26	2	23414-080000	GASKET, 8X1.0	1	1						
27	2	24311-000070	O-RING, 1AP7.0	1	1						
28	2	24311-000120	O-RING, 1AP12.0	8	8						
29	2	24311-000320	O-RING, 1AP32.0	3	3						
30	2	24321-000600	O-RING, 1AG60.0	1	1						
31	2	24341-000530	O-RING, 1AS53.0	1	1						
32	2	24351-030750	O-RING, 1A3075	1	1						
33	1	129400-92450	HONE, FLEX	1	1						1
34	1	977770-1207F	GASKET.LIQUID	1	1						1

Remarks

(1)Optional parts.

Parts No. Index

Parts No.	Fig. No.	Ref. No.	Parts No.	Fig. No.	Ref. No.	Parts No.	Fig. No.	Ref. No.	Parts No.	Fig. No.	Ref. No.
105025-59530	14	11	121850-49540	10	20	129150-11230	4	39	129902-01710	3	8
114110-07761	14	22		17	18	129150-11750	4	17	129902-21000	8	1
114250-53080	13	5	121850-49550	10	22			36	129906-51580	11	61
114250-53120	13	9		17	19			40	129907-01331	1	28
114250-53130	13	10	121850-49801	10	23	129150-14200	7	1		17	2
114250-53140	13	11	121850-77021	5	6	129150-25920	7	16	129907-03011	4	49
114250-53210	13	12		17	23	129150-35153	9	36	129907-03061	4	50
114371-79070	15	30	123472-59120	13	45	129150-59131	13	44	129907-03070	4	51
119005-77051	5	7	123900-25060	7	9	129263-13210	6	5	129907-11100	4	9
119129-77020	5	5	123900-42450	10	14	129263-49750	14	17	129907-11110	4	10
	17	22	123900-77510	15	21	129263-77941	11	127	129907-11120	4	11
119129-77520	5	8	123900-77520	15	22	129335-59090	14	6	129907-11250	4	29
119131-18320	6	3	123900-77540	15	24	129400-92450	17	33	129907-11260	4	30
119131-77550	15	25	123907-03100	4	52	129418-18320	6	4	129907-11270	4	31
119225-52102	14	23	123907-03110	4	53	129466-49300	9	7	129907-11341	4	28
119305-59120	13	41	123907-03120	4	54	129467-59010	14	4	129907-11510	4	15
119560-59110	14	7	123907-03140	4	55	129657-51590	11	63	129907-11650	4	33
119578-91351	16	12	123907-11280	4	32	129657-51600	11	64	129907-11660	4	37
		21	123907-11550	4	1	129900-01200	1	27	129907-11800	4	68
119593-11301	4	27	123907-11601	13	40	129900-01250	1	4	129907-11910	4	24
119620-01750	3	4	123907-11820	4	19	129900-01620	3	2	129907-11920	4	41
119620-11180	4	12	123907-11830	4	18	129900-01850	2	33	129907-11950	4	25
119625-11880	4	23	123907-39500	9	26	129900-01870	2	34	129907-12110	5	2
	17	7	123907-59540	14	14	129900-02020	1	6		17	8
119640-01640	3	9	123907-59550	14	15	129900-02341	1	32	129907-14400	7	2
119640-61400	4	58		17	21	129900-02410	1	9	129907-25900	7	15
119761-44901	10	33	123907-59560	14	20	129900-02931	1	24	129907-51560	11	58
119802-11870	4	22	123910-49600	9	8	129900-02941	1	35	129907-55801	14	2
	17	6	123910-49610	9	10	129900-13251	6	6	129907-59140	14	13
119802-13680	6	7	123912-33050	9	2		17	10	129908-14581	7	3
119802-51680	11	68	123912-33100	9	3	129900-14100	7	6	129908-33010	9	1
119802-51690	11	69	124160-01751	2	24	129900-21200	8	3	129908-33101	9	4
119803-11340	4	13		4	47	129900-21600	8	14	129908-49060	9	6
	17	4	124160-11340	4	14	129900-23001	8	25	129916-01790	3	7
119803-53400	13	13		17	5	129900-23200	8	28	129916-01800	2	32
119807-11770	2	38	124160-11360	4	63	129900-23601	8	29	129916-21610	8	7
119852-51630	11	73	124465-44950	10	34	129900-23611	8	32	129916-49530	10	19
119852-51640	11	74		17	17	129900-23911	8	31	129927-11320	4	48
119852-51650	11	76	124722-59050	14	18	129900-25100	7	10	129927-11700	4	2
119934-59910	11	134	124766-59050	14	5	129900-32001	2	4	129927-13810	6	9
120130-22301	8	23			9	129900-32030	2	16		17	11
120445-44540	10	47	129004-55612	14	1		9	16	129927-13910	6	16
121252-39450	9	23	129005-59830	9	28		17	14		17	12
121254-77810	15	29	129006-44480	9	5	129900-32040	2	17	129927-13920	6	17
121450-42450	10	32	129008-51920	11	12		17	15		17	13
121750-59890	9	11	129008-61301	12	26	129900-35000	9	17	129927-22050	8	17
	14	12	129100-01580	2	1	129900-42020	10	1	129927-22080	8	15
121850-21130	8	11		3	1		17	16	129927-39060	9	24
121850-21290	8	4	129150-02450	7	4	129900-49870	10	28	129927-42140	2	17 A
121850-21920	8	5	129150-11230	4	35		17	20	129927-44900	10	17

Parts No. Index

Parts No.	Fig. No.	Ref. No.
129927-51250	11	141
129927-51390	11	25
129927-51650	11	125
129927-51660	11	126
129927-51670	11	129
129927-53000	13	2
129927-59550	14	16
129927-75900	16	18
129927-77600	16	10
		19
129927-77680	16	11
		20
129928-13900	6	15
129928-51900	11	11
129930-13201	6	20
		17
		9
129933-11310	4	57
		17
		3
129938-01500	2	3
129938-49800	10	16
129939-34800	9	14
129939-75150	16	1
129940-77011	15	1
129940-77100	15	2
129940-77130	15	5
129940-77140	15	6
129940-77150	15	7
129940-77160	15	8
129940-77171	15	9
129940-77181	15	10
129940-77190	15	11
129940-77200	15	12
129940-77210	15	13
129940-77221	15	14
129940-77230	15	15
129940-77240	15	16
129940-77250	15	17
129940-77260	15	18
129940-77270	15	19
129940-77280	15	20
129944-21650	8	9
129948-42100	10	2
129950-59211	14	8
129950-59221	14	10
129951-01740	2	26
129953-21570	8	12
129953-25300	7	14
129960-21640	8	8
129968-12101	5	1
129968-13100	6	2

Parts No.	Fig. No.	Ref. No.
129968-13150	6	1
129968-13850	6	11
129968-49610	10	35
129968-49620	10	39
129968-49850	10	43
129973-07910	4	66
129973-13840	6	10
129973-59700	13	46
129973-59810	13	50
129973-59820	13	51
129973-59830	13	52
129973-59840	13	53
144626-51090	11	13
158552-51571	11	59
158552-51580	11	62
158552-51670	11	130
158552-51781	11	101
158552-52100	11	132
158552-52311	11	110
158552-52400	11	111
158552-52500	11	133
158553-51670	11	67
158553-51680	11	79
158553-51930	11	104
	12	2
158553-61780	12	27
158557-51570	11	60
158557-61720	12	16
158563-51150	11	16
158563-51281	11	23
		24
158563-51330	11	35
158600-51270	11	22
158601-51550	11	57
158601-51650	11	128
158601-51770	11	100
158601-51790	11	102
171051-01921	1	5
171056-49120	9	35
175339-79700	4	59
198461-52950	15	32
22190-080002	9	29
		31
		33
	14	21
	17	24
22190-120002	10	25
	11	105
		112
		135

Parts No.	Fig. No.	Ref. No.
22190-120002	12	28
	17	25
22190-180002	11	106
22190-220002	3	11
22217-050000	11	136
22217-180000	11	113
22252-000300	8	24
22312-050140	11	114
22351-050010	11	115
22351-060012	1	11
22512-070140	7	7
	8	6
22857-500100	4	60
		61
22877-500080	16	13
		22
23000-025000	9	12
23080-012000	10	38
		42
23414-080000	10	29
	17	26
23857-030000	9	30
23875-030000	10	26
23876-020000	4	6
23876-030000	1	12
		13
		14
	4	7
24311-000070	2	18
	11	116
	17	27
24311-000120	4	26
		64
	17	28
24311-000320	2	25
	4	65
	17	29
24321-000600	9	13
	17	30
24341-000480	12	22
24341-000530	8	10
	17	31
24351-030750	2	19
	17	32
24356-190200	11	70
		117
24356-240210	11	118
24372-000150	11	71
25153-004500	10	48
26106-060102	11	119

Parts No.	Fig. No.	Ref. No.
26106-060122	4	62
	11	137
26106-060162	12	23
26106-060202	10	27
26106-060252	12	29
26106-060302	10	12
26106-060352	11	120
26106-080122	3	12
	9	22
		32
		34
	10	30
26106-080142	10	44
26106-080162	2	20
		35
	6	12
		13
	7	8
26106-080202	2	21
		27
	4	67
	11	142
26106-080252	12	24
26106-080302	11	143
	14	3
26106-080402	2	36
	4	43
	5	9
26106-080452	2	22
		28
26106-080552	5	3
	7	13
	10	13
26106-080602	4	44
		45
	10	31
26106-080702	2	37
26106-080752	2	29
26106-080852	5	4
26106-080902	5	10
26106-100182	10	15
26106-100302	6	14
		18
26106-100952	6	19
26106-120252	15	31
26206-100352	3	5
26206-100702	3	6
26216-060202	13	48
26216-100302	2	15
26226-080222	4	42

Parts No. Index

Parts No.	Fig. No.	Ref. No.
26306-080002	4	46
	6	8
26306-100002	2	23
26366-060002	13	54
26450-100452	11	121
26716-050002	11	138
26776-180002	11	122
27241-160000	11	139
27241-300000	1	10
27241-400000	4	8
27310-070001	4	20
720445-44200	10	45
729900-02801	1	29
729907-01559	2	30
729927-01560	1	1
729927-22900	8	34
729927-22950	8	36
729927-53100	13	1
729927-92680	17	1
729939-51320	11	1
977770-1207F	17	34
X2240610100	15	23

Parts No.	Fig. No.	Ref. No.
-----------	----------	----------

Parts No.	Fig. No.	Ref. No.
-----------	----------	----------

Parts No.	Fig. No.	Ref. No.
-----------	----------	----------