

0CD50-M03850EN

P R E F A C E

This parts catalog is the 1st edition of 4TNV98-ZCPLYS for Liugong.

Published : April, 2018

Contents

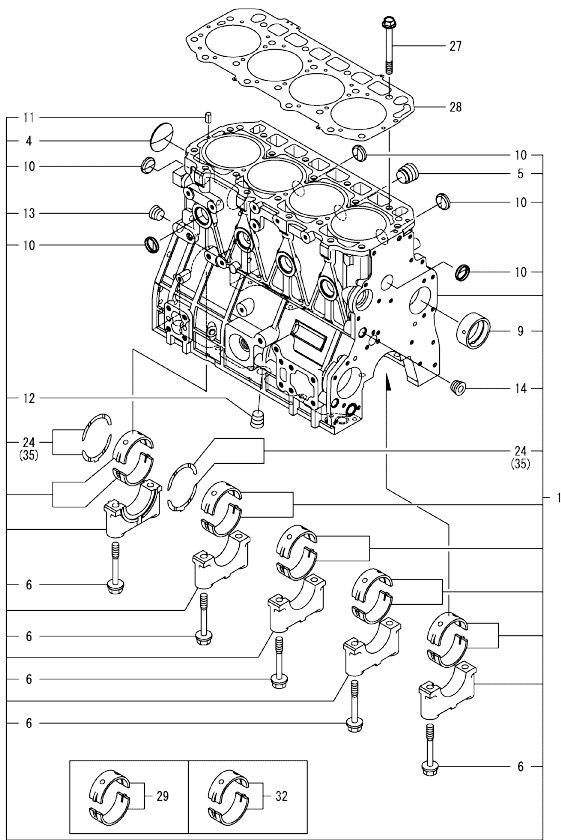
OCD50-M03850

Fig. No.	Fig. Name	Fig. No.	Fig. Name
ENGINE			
1.	CYLINDER BLOCK		
2.	GEAR HOUSING		
3.	FLYWHEEL HOUSING & OIL SUMP		
4.	CYLINDER HEAD & BONNET		
5.	SUCTION MANIFOLD & AIR CLEANER		
6.	EXHAUST MANIFOLD & SILENCER		
7.	CAMSHAFT & DRIVING GEAR		
8.	CRANKSHAFT & PISTON		
9.	LUB. OIL SYSTEM		
10.	COOLING WATER SYSTEM		
11.	FUEL INJECTION PUMP		
12.	GOVERNOR		
13.	FUEL INJECTION VALVE		
14.	FUEL PIPE		
15.	STARTER MOTOR		
16.	GENERATOR		
17.	ELECTRONIC CONTROL UNIT(ECU)		
18.	ACCESSORY		
19.	GASKET SET		

Fig.1. CYLINDER BLOCK

(A)=4TNV98-ZCPLYS
(B)=
(C)=

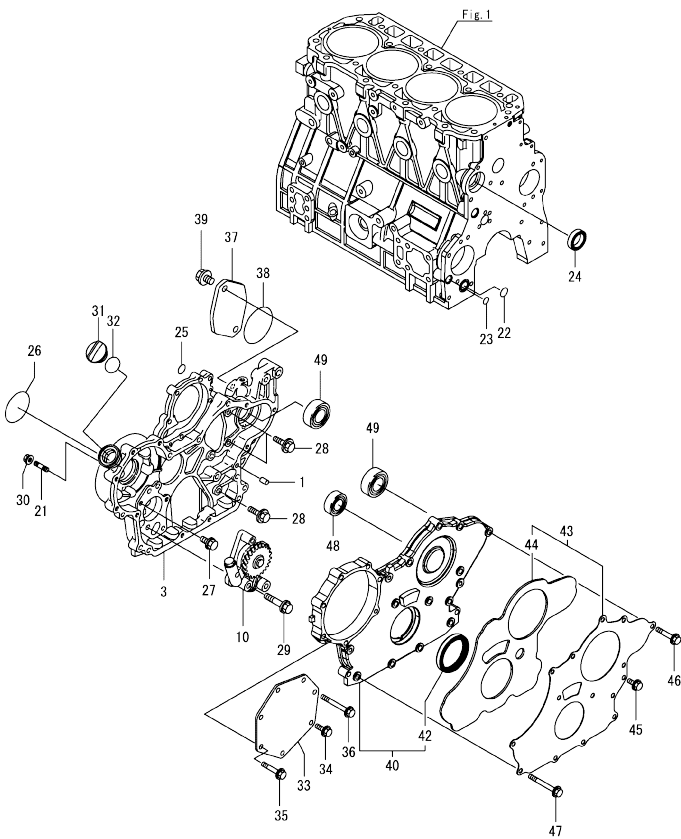
(D)=
(E)=
(F)=



No.	Lev.	Parts No.	Description	Q'ty						I	R
				(A)	(B)	(C)	(D)	(E)	(F)		
1	1	729927-01560	BLOCK ASSY, CYLINDER	1							
4	2	129900-01250	PLUG, 55	1							
5	2	171051-01921	PLUG, NPTF1	1							
6	2	129900-02020	BOLT, METAL CAP	10							
9	2	129900-02410	BUSH, CAMSHAFT	1							
10	2	27241-300000	PLUG 30	8							
11	2	22351-060012	PIN, SPRING 6.0X12	2							
12	2	23876-030000	PLUG, R03	1							
13	2	23876-030000	PLUG, R03	1							
14	2	23876-030000	PLUG, R03	1							
24	2	129927-02930	BEARING ASSY, THRUST	2							
27	1	129900-01200	BOLT, CYLINDER HEAD	18							
28	1	129907-01331	GASKET, HEAD	1							
29	1	729927-02800	BEARING ASSY, MAIN	5							1
32	1	129927-02340	BEARING ASSY, MAIN US	5							2
35	1	129927-02940	BEARING, THRUST 0.25OS	2							3

Remarks
 (1) Spare parts.
 (2) Under-sized (U.S.=0.25) parts.
 (3) Over-sized (O.S.=0.25) parts.

Fig.2. GEAR HOUSING

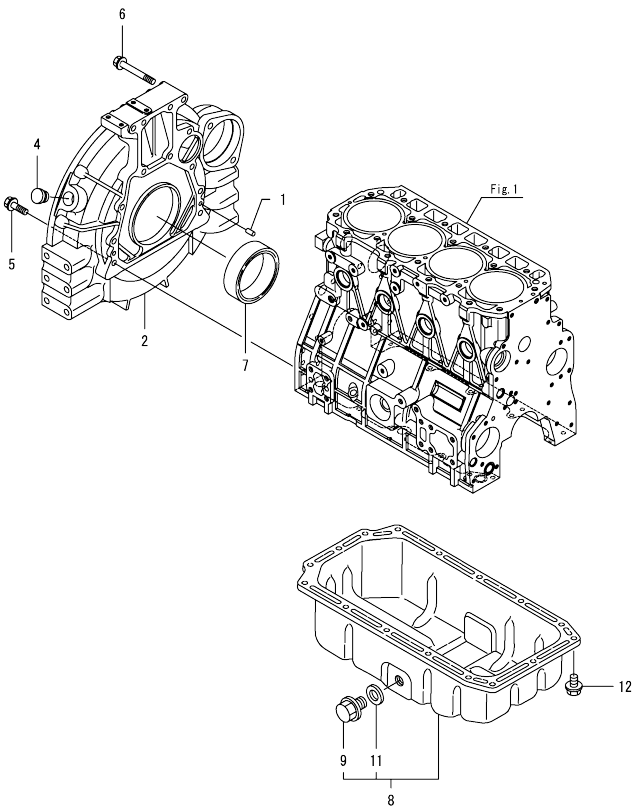


(A)=4TNV98-ZCPLYS
(B)=
(C)=

(D)=
(E)=
(F)=

No.	Lev.	Parts No.	Description	Qty						I	R
				(A)	(B)	(C)	(D)	(E)	(F)		
1	1	129100-01580	PIN, PARALLEL 8X16	4							
3	1	129962-01500	CASE, GEAR	1							
10	1	129900-32001	PUMP ASSY, OIL	1							
21	1	26216-100302	STUD, M10X 30	4							
22	1	129900-32030	O-RING, P20	1							
23	1	129900-32040	O-RING, P14	1							
24	1	129927-42140	GASKET, PUMP OUTLET	1							
25	1	24311-000070	O-RING, 1AP7.0	1							
26	1	24351-030750	O-RING, 1A3075	1							
27	1	26106-080162	BOLT, M8X 16 PLATED	1							
28	1	26106-080202	BOLT, M8X 20 PLATED	3							
29	1	26106-080452	BOLT, M8X 45 PLATED	3							
30	1	26306-100002	NUT, M10	4							
31	1	124160-01751	CAP, FILLER	1							
32	1	24311-000320	O-RING, 1AP32.0	1							
33	1	129951-01740	COVER, PUMP TIMING	1							
34	1	26106-080202	BOLT, M8X 20 PLATED	1							
35	1	26106-080452	BOLT, M8X 45 PLATED	5							
36	1	26106-080752	BOLT, M8X 75 PLATED	1							
37	1	121023-26071	COVER, PUMP	1							
38	1	24321-000850	O-RING, 1AG85.0	1							
39	1	26106-100202	BOLT, M10X 20 PLATED	2							
40	1	729907-01559	COVER ASSY, CASE	1							
42	2	129916-01800	SEAL, OIL	1							
43	1	129900-01850	COVER ASSY, CASE	1							
44	2	129900-01870	SPONGE, COVER	1							
45	1	26106-080162	BOLT, M8X 16 PLATED	3							
46	1	26106-080402	BOLT, M8X 40 PLATED	5							
47	1	26106-080702	BOLT, M8X 70 PLATED	6							
48	1	129900-14140	BEARING, BALL 6205	1							
49	1	129900-26250	BEARING, BALL 6206C3	2							

Fig.3. FLYWHEEL HOUSING & OIL SUMP

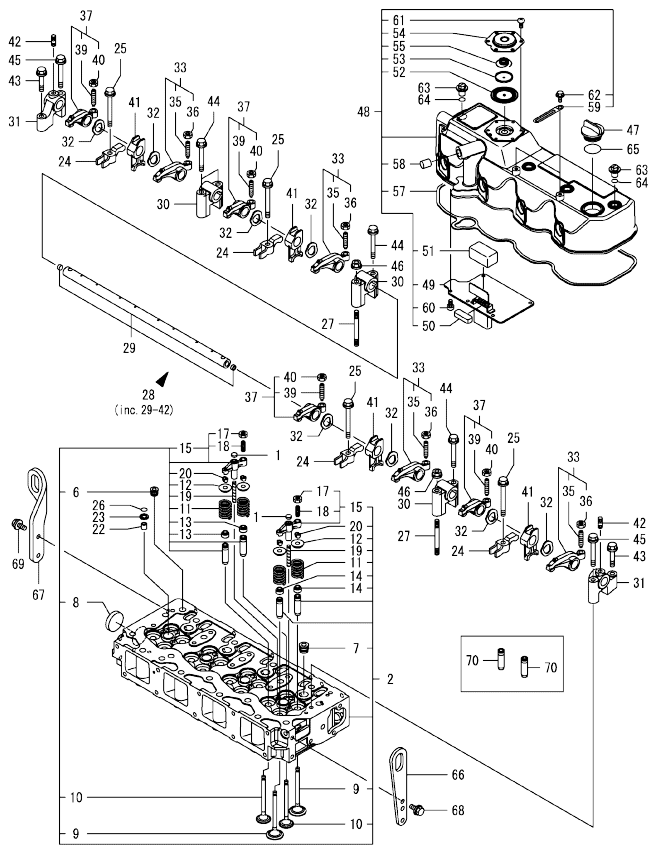


(A)=4TNV98-ZCPLYS
(B)=
(C)=

(D)=
(E)=
(F)=

No.	Lev.	Parts No.	Description	Q'ty						I	R
				(A)	(B)	(C)	(D)	(E)	(F)		
1	1	129100-01580	PIN, PARALLEL 8X16	2							
2	1	129900-01620	HOUSING, FLYWHEEL	1							
4	1	119620-01750	CAP, WHEEL COVER	1							
5	1	26206-100352	BOLT, M10X 35 PLATED	9							
6	1	26206-100702	BOLT, M10X 70 PLATED	4							
7	1	129916-01790	SEAL, D115/95XT11	1							
8	1	129902-01710	OIL PAN ASSY	1							
9	2	119640-01640	PLUG, DRAIN M22	1							
11	2	22190-220002	WASHER, SEAL 22	1							
12	1	26106-080122	BOLT, M8X 12 PLATED	16							

Fig.4. CYLINDER HEAD & BONNET



(A)=4TNV98-ZCPLYS
(B)=
(C)=

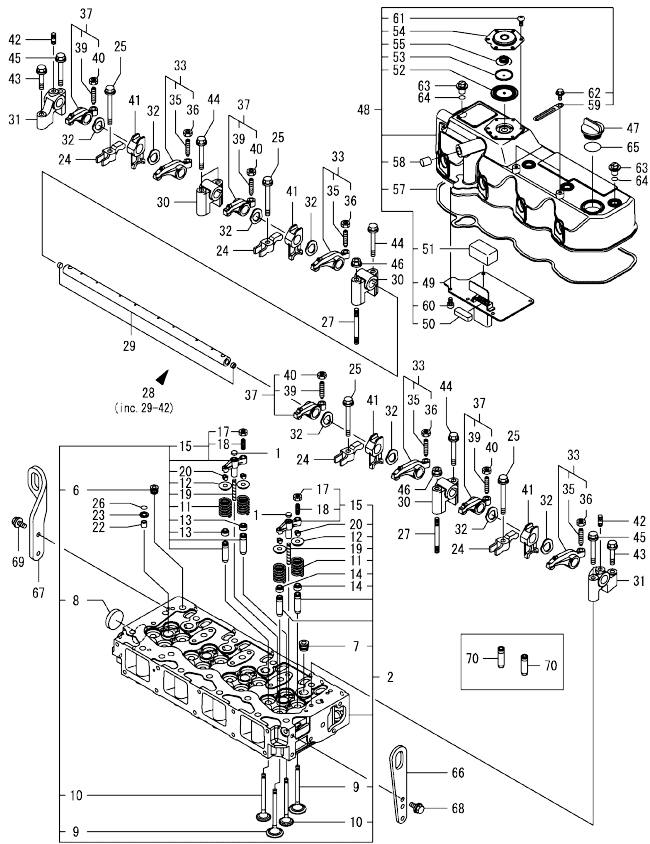
(D)=
(E)=
(F)=

No.	Lev.	Parts No.	Description	Q'ty						I	R
				(A)	(B)	(C)	(D)	(E)	(F)		
1	1	123907-11550	SEAT, VALVE BRIDGE	8							
2	1	129927-11700	HEAD ASSY, CYLINDER	1							
6	2	23876-020000	PLUG, R02	1							
7	2	23876-030000	PLUG, R03	4							
8	2	27241-400000	PLUG, 40	1							
9	2	129907-11100	VALVE, INTAKE	8							
10	2	129907-11110	VALVE, EXHAUST	8							
11	2	129907-11120	SPRING, VALVE	16							
12	2	119620-11180	RETAINER, SPRING	16							
13	2	119803-11340	SEAL, VALVE STEM	8							
14	2	124160-11340	SEAL, VALVE STEM	8							
15	2	129907-11510	BRIDGE ASSY, VALVE	8							
17	3	129150-11750	NUT, M8XP1.0	8							
18	3	123907-11830	ADJUSTER, BRIDGE	8							
19	2	123907-11820	GUIDE, BRIDGE	8							
20	2	27310-070001	COTTER, 7	16							
22	1	119802-11870	PROTECTOR, NOZZLE	4							
23	1	119625-11880	SEAT, NOZZLE	4							
24	1	129907-11910	RETAINER, NOZZLE	4							
25	1	129907-11950	BOLT, VALVE HOLDER	4							
26	1	24311-000120	O-RING, 1AP12.0	4							
27	1	119593-11301	STUD, M8X80	2							
28	1	129907-11341	SUPPORT ASSY, ROCKER	1							
29	2	129907-11250	SHAFT, ROCKER ARM	1							
30	2	129907-11260	SUPPORT, ROCKER A	3							
31	2	129907-11270	SUPPORT, ROCKER B	2							
32	2	123907-11280	WASHER, WAVE	8							
33	2	129907-11650	ARM ASSY, ROCKER INT	4							
35	3	129150-11230	SCREW, VALVE ADJUST	4							
36	3	129150-11750	NUT, M8XP1.0	4							
37	2	129907-11660	ARM ASSY, ROCKER EXH	4							
39	3	129150-11230	SCREW, VALVE ADJUST	4							
40	3	129150-11750	NUT, M8XP1.0	4							
41	2	129907-11920	RETAINER, NOZZLE	4							
42	2	26226-080222	STUD, M8X 22	2							
43	1	26106-080402	BOLT, M8X 40 PLATED	2							
44	1	26106-080602	BOLT, M8X 60 PLATED	4							
45	1	26106-080602	BOLT, M8X 60 PLATED	2							
46	1	26306-080002	NUT, M8	2							
47	1	124160-01751	CAP, FILLER	1							
48	1	129927-11320	BONNET ASSY, HEAD	1							
49	2	129907-03011	PLATE, BAFFLE	1							
50	2	129907-03061	BAFFLE, BREATHER	1							
51	2	129907-03070	BAFFLE, BREATHER	1							
52	2	123907-03100	DIAPHRAGM, BREATHER	1							
53	2	123907-03110	PLATE, CENTER	1							
54	2	123907-03120	PLATE, BREATHER	1							
55	2	123907-03140	SPRING, DIAPHRAGM	1							
57	2	129933-11310	GASKET, BONNET	1							
58	2	119640-61400	PLUG	1							
59	2	175339-79700	CLIP	2							

Remarks

(1)Spare parts.

Fig.4. CYLINDER HEAD & BONNET



(A)=4TNV98-ZCPLYS
(B)=
(C)=

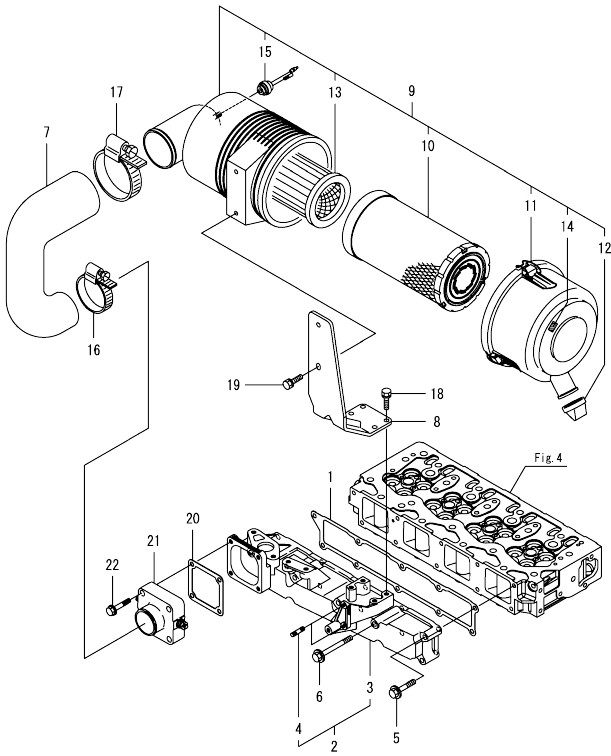
(D)=
(E)=
(F)=

No.	Lev.	Parts No.	Description	Q'ty						I	R		
				(A)	(B)	(C)	(D)	(E)	(F)				
60	2	22857-500100	SCREW, 5X10										
61	2	22857-500100	SCREW, 5X10										
62	2	26106-060122	BOLT, M6X 12 PLATED										
63	1	124160-11360	KNOB, BONNET										
64	1	24311-000120	O-RING, 1AP12.0										
65	1	24311-000320	O-RING, 1AP32.0										
66	1	129900-07900	LIFTER, ENGINE										
67	1	129944-07900	LIFTER, ENGINE										
68	1	26106-080162	BOLT, M8X 16 PLATED										
69	1	26106-080182	BOLT, M8X 18 PLATED										
70	1	129907-11800	GUIDE, VALVE										1

Remarks

(1)Spare parts.

Fig.5. SUCTION MANIFOLD & AIR CLEANER

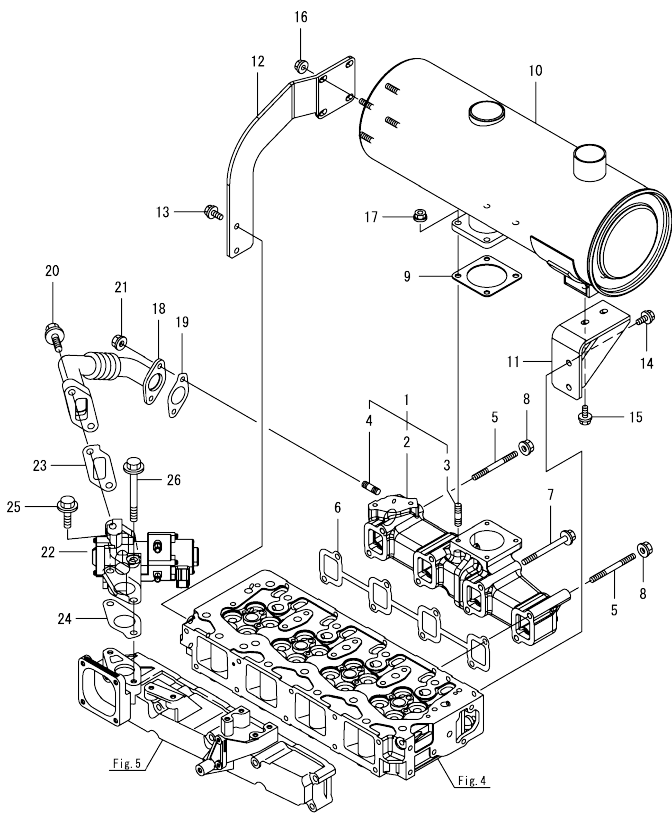


(A)=4TNV98-ZCPLYS
(B)=
(C)=

(D)=
(E)=
(F)=

No.	Lev.	Parts No.	Description	Q'ty					
				(A)	(B)	(C)	(D)	(E)	(F)
1	1	129907-12110	GASKET, MANIFOLD	1					
2	1	129927-12150	MANIFOLD ASSY,INTAKE	1					
3	2	129927-12100	MANIFOLD, AIR INTAKE	1					
4	2	26216-060202	STUD, M6X 20	2					
5	1	26106-080452	BOLT, M8X 45 PLATED	6					
6	1	26106-080802	BOLT, M8X 80 PLATED	4					
7	1	129939-12070	HOSE, AIR INTAKE	1					
8	1	129927-12560	BRACKET, AIR CLEANER	1					
9	1	129939-12570	CLEANER ASSY, AIR	1					
10	2	129935-12520	ELEMENT, OUTER	1					
11	2	119160-12530	COVER ASSY, CLEANER	1					
12	2	119160-12540	VALVE, VACUATOR	1					
13	2	119160-12570	ELEMENT, INNER	1					
14	2	129612-12650	LABEL, MARKING	1					
15	2	119140-12680	INDICATOR, CLEANER	1					
16	1	23000-080000	CLAMP, 80	1					
17	1	23000-102000	CLAMP, 102	1					
18	1	26013-080222	BOLT, M8X 22	4					
19	1	26013-080222	BOLT, M8X 22	2					
20	1	121850-77021	GASKET, AIR HEATER	1					
21	1	129915-77051	HEATER, AIR 12V	1					
22	1	26106-080352	BOLT, M8X 35 PLATED	4					

Fig.6. EXHAUST MANIFOLD & SILENCER

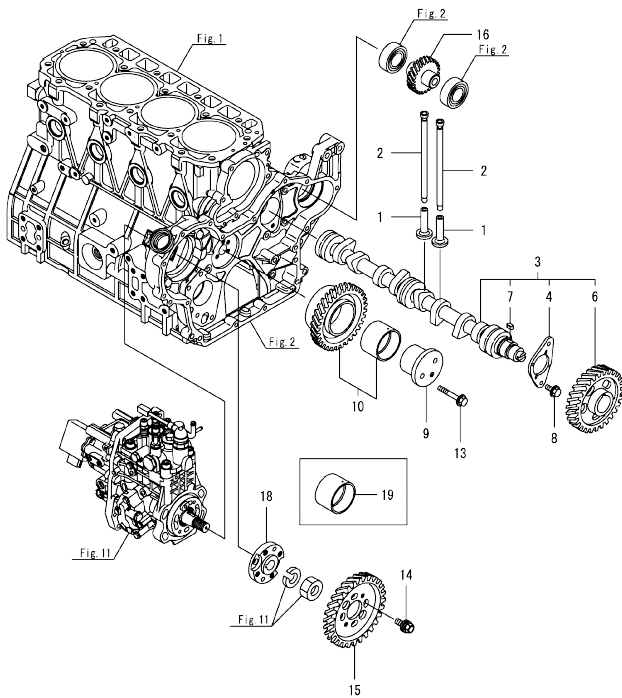


(A)=4TNV98-ZCPLYS
(B)=
(C)=

(D)=
(E)=
(F)=

No.	Lev.	Parts No.	Description	Q'ty					
				(A)	(B)	(C)	(D)	(E)	(F)
1	1	129927-13150	MANIFOLD ASSY	1					
2	2	129927-13101	MANIFOLD, EXHAUST	1					
3	2	119131-18320	STUD, M8X22	4					
4	2	129418-18320	STUD, M8X20	2					
5	1	129263-13210	STUD, M8X90	2					
6	1	129900-13251	GASKET, MANIFOLD	1					
7	1	129E00-13650	BOLT, M8X90 10.9T	6					
8	1	26306-080002	NUT, M8	2					
9	1	129400-13201	GASKET, SILENCER	1					
10	1	129944-13510	SILENCER	1					
11	1	129938-13682	STAY, SILENCER	1					
12	1	129944-13650	STAY, SILENCER HEAD	1					
13	1	26106-080162	BOLT, M8X 16 PLATED	2					
14	1	26014-080202	BOLT, M8X 20	2					
15	1	26014-080222	BOLT, M8X 22	2					
16	1	26306-080002	NUT, M8	4					
17	1	26306-080002	NUT, M8	4					
18	1	129927-13800	PIPE ASSY, EGR	1					
19	1	129927-13810	GASKET, EGR PIPE	1					
20	1	26106-100302	BOLT, M10X 30 PLATED	2					
21	1	26306-080002	NUT, M8	2					
22	1	129928-13900	VALVE, EGR	1					
23	1	129927-13910	GASKET, EGR	1					
24	1	129927-13920	GASKET, EGR	1					
25	1	26106-100302	BOLT, M10X 30 PLATED	1					
26	1	26106-100952	BOLT, M10X 95 PLATED	1					

Fig.7. CAMSHAFT & DRIVING GEAR



(A)=4TNV98-ZCPLYS
(B)=
(C)=

(D)=
(E)=
(F)=

No.	Lev.	Parts No.	Description	Q'ty						I	R
				(A)	(B)	(C)	(D)	(E)	(F)		
1	1	129150-14200	TAPPET	8							
2	1	129907-14400	ROD, PUSH	8							
3	1	129908-14590	CAMSHAFT ASSY	1							
4	2	129150-02450	METAL, THRUST	1							
6	2	129900-14110	GEAR, CAMSHAFT	1							
7	2	22512-070140	KEY, 7X 14	1							
8	1	26106-080142	BOLT, M8X 14 PLATED	2							
9	1	123900-25060	SHAFT, IDLE GEAR	1							
10	1	129927-25110	GEAR ASSY, IDLE	1							
13	1	26106-080552	BOLT, M8X 55 PLATED	3							
14	1	129953-25300	BOLT, PUMP BODY	4							
15	1	129907-25900	GEAR, PUMP	1							
16	1	129900-26030	GEAR ASSY, PUMP	1							
18	1	158563-51150	FLANGE	1							
19	1	129927-25920	BUSH, IDLE GEAR	1							1

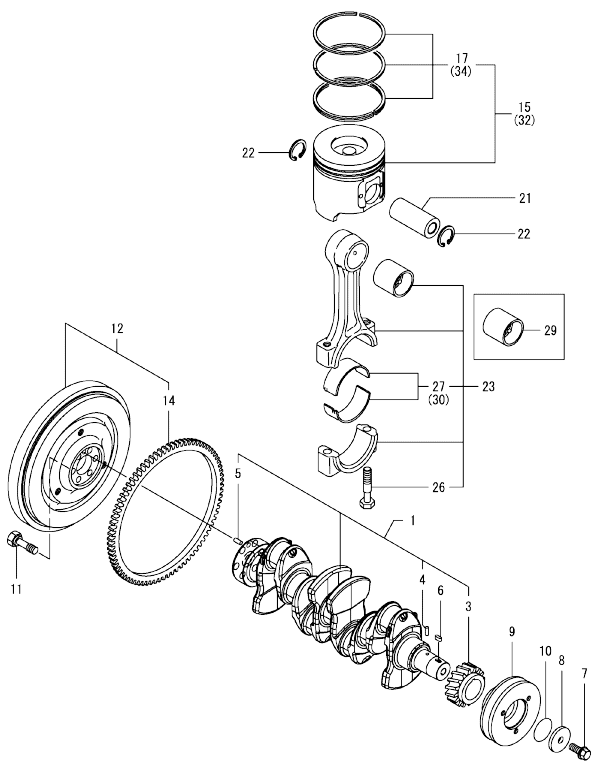
Remarks

(1)Spare parts.

Fig.8. CRANKSHAFT & PISTON

(A)=4TNV98-ZCPLY5
(B)=
(C)=

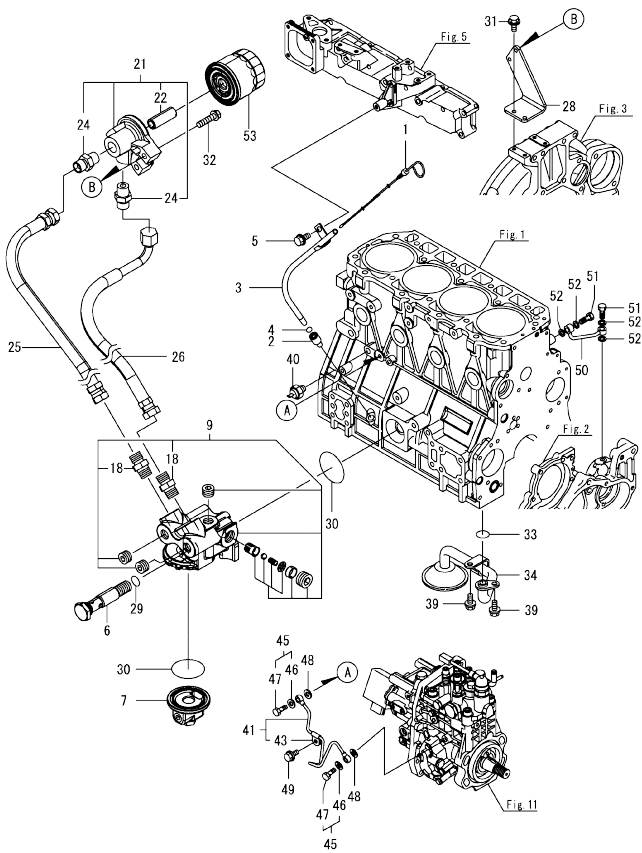
(D)=
(E)=
(F)=



No.	Lev.	Parts No.	Description	Q'ty						I	R
				(A)	(B)	(C)	(D)	(E)	(F)		
1	1	129902-21050	CRANKSHAFT ASSY	1							
3	2	129900-21220	GEAR, CRANKSHAFT	1							
4	2	121850-21290	PIN, CRANK GEAR	1							
5	2	121850-21920	PIN, PARALLEL 10X22	1							
6	1	22512-070140	KEY, 7X 14	1							
7	1	129916-21610	BOLT, V-PULLEY	1							
8	1	129960-21940	WASHER, V-PULLEY	1							
9	1	129944-21650	V-PULLEY, CRANKSHAFT	1							
10	1	129960-21930	GASKET, WASHER	1							
11	1	121850-21130	BOLT, FLYWHEEL	6							
12	1	129953-21570	FLYWHEEL ASSY	1							
14	2	129900-21600	GEAR, RING	1							
15	1	129926-22080	PISTON ASSY	4							
17	2	129E00-22050	RING SET, PISTON	4							
21	1	120130-22301	PIN, PISTON	4							
22	1	22252-000300	RING, 30	8							
23	1	129900-23001	ROD ASSY, CONNECTING	4							
26	2	129900-23200	BOLT, CONNECTING ROD	8							
27	2	129927-23600	BEARING ASSY, PIN	4							
29	1	129900-23911	METAL, PISTON PIN	4							1
30	1	129927-23600	BEARING ASSY, PIN	4							2
32	1	129E00-22900	PISTON ASSY, 0.25 OS	4							3
34	2	129E00-22950	RING SET, PISTON .25	4							3

Remarks
(1) Spare parts.
(2) Under-sized (U.S.=0.25) parts.
(3) Over-sized (O.S.=0.25) parts.

Fig.9. LUB. OIL SYSTEM



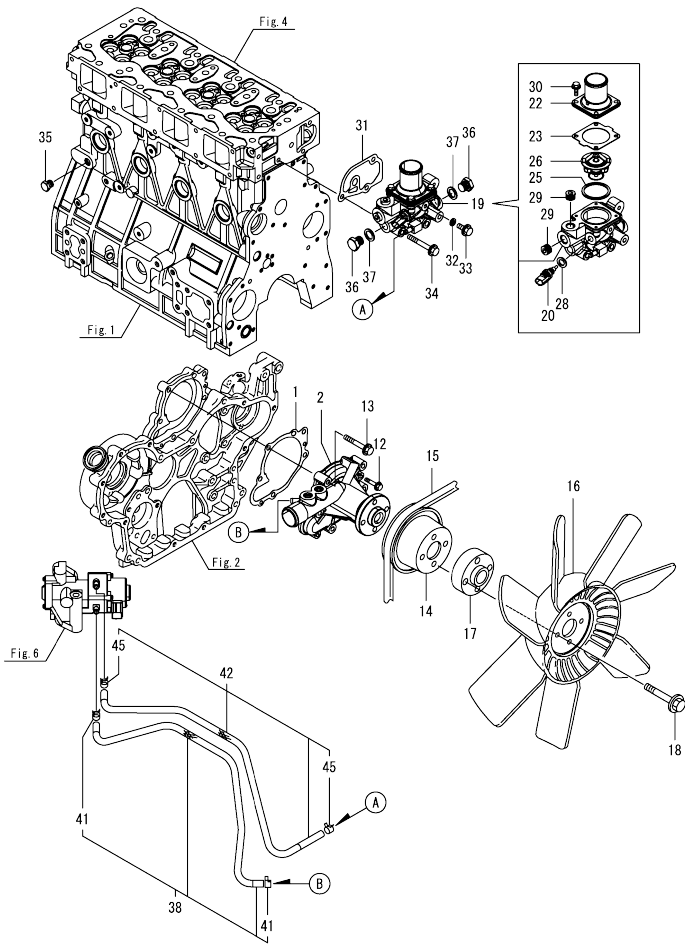
(A)=4TNV98-ZCPLYS
(B)=
(C)=

(D)=
(E)=
(F)=

No.	Lev.	Parts No.	Description	Q'ty						I	R
				(A)	(B)	(C)	(D)	(E)	(F)		
1	1	129951-34801	DIPSTICK, OIL	1							
2	1	119260-34810	GUIDE, DIPSTICK	1							
3	1	129928-34850	GUIDE, DIPSTICK	1							
4	1	24316-240100	O-RING, 4DP10A	1							
5	1	26106-080162	BOLT, M8X 16 PLATED	1							
6	1	129956-33110	BOLT	1							
7	1	129238-35111	PLUG	1							
9	1	129926-35130	BRACKET ASSY, L	1							
18	2	129953-39500	ADAPTER, R-G1/2	2							
18-1	2	129953-39501	ADAPTER	2							N
(A=E135242)											
21	1	129E23-35140	BRACKET ASSY	1							
22	2	119000-35140	BOLT, FILTER	1							
24	2	129953-39500	ADAPTER, R-G1/2	2							
24-1	2	129953-39501	ADAPTER	2							N
(A=E135242)											
25	1	129C22-39100	PIPE, LUB.OIL	1							
26	1	129E23-39100	PIPE, LO	1							
28	1	129926-35180	BRACKET, LO FILTER	1							
29	1	24314-000200	O-RING, 4CP20.0	1							
30	1	24321-000600	O-RING, 1AG60.0	2							
31	1	26106-080162	BOLT, M8X 16 PLATED	2							
32	1	26106-100402	BOLT, M10X 40 PLATED	2							
33	1	129900-32030	O-RING, P20	1							
34	1	129900-35000	PIPE ASSY, OIL INLET	1							
39	1	26106-080122	BOLT, M8X 12 PLATED	2							
40	1	119761-39450	SWITCH, HYDRAULIC	1							
41	1	129927-39060	PIPE ASSY, OIL	1							
43	2	123907-39500	RETAINER, PIPE	1							
45	1	129005-59830	BOLT ASSY, JOINT M8	2							
46	2	22190-080002	WASHER, SEAL 8	2							
47	2	23857-030000	BOLT, JOINT 3	2							
48	1	22190-080002	WASHER, SEAL 8	2							
49	1	26106-080122	BOLT, M8X 12 PLATED	1							
50	1	129930-39050	PIPE, HO PUMP	1							
51	1	105010-39140	BOLT, PIPE JOINT M8	2							
52	1	22190-080002	WASHER, SEAL 8	4							
53	1	119005-35151	FILTER, OIL D80X100	1							1

Remarks
(1)Spare parts.

Fig.10. COOLING WATER SYSTEM



(A)=4TNV98-ZCPLYS
(B)=
(C)=

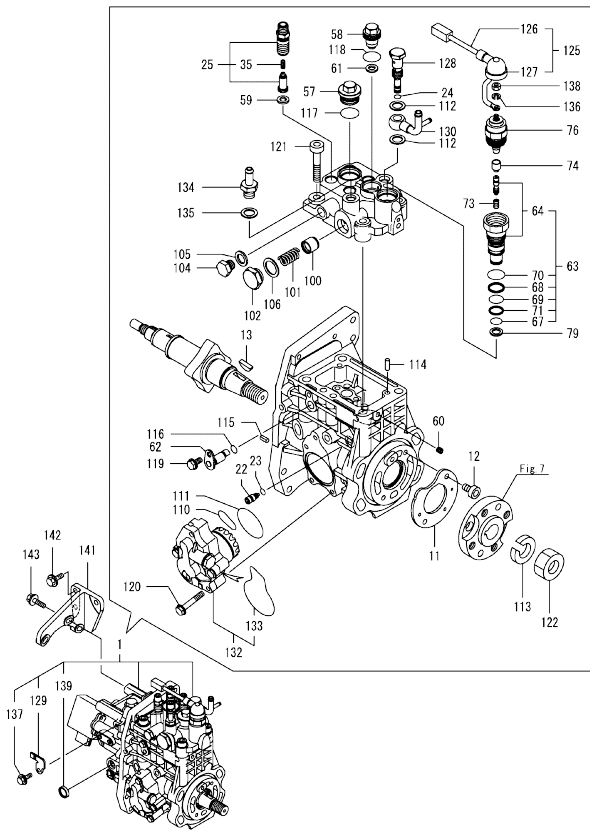
(D)=
(E)=
(F)=

No.	Lev.	Parts No.	Description	Qty						I	R
				(A)	(B)	(C)	(D)	(E)	(F)		
1	1	129900-42020	GASKET, WATER PUMP	1							
2	1	129948-42110	PUMP ASSY, WATER	1							
12	1	26106-060302	BOLT, M6X 30 PLATED	2							
13	1	26106-080552	BOLT, M8X 55 PLATED	5							
14	1	123900-42471	V-PULLEY, PUMP	1							
15	1	129940-42240	V-BELT, B44	1							
16	1	123900-44740	FAN, COOLING D=500	1							
17	1	123900-44761	SPACER, FAN	1							
18	1	26106-100452	BOLT, M10X 45 PLATED	4							
19	1	129927-49800	CASE ASSY,THERMOSTAT	1							
20	2	129927-44900	SENSOR, TEMPERATURE	1							
22	2	129916-49530	COVER, THERMOSTAT	1							
23	2	121850-49540	GASKET, THERMOSTAT	1							
25	2	121850-49550	GASKET, THERMOSTAT	1							
26	2	121850-49811	THERMOSTAT, 71C	1							
28	2	22190-120002	WASHER, SEAL 12	1							
29	2	23875-030000	PLUG, R03	2							
30	2	26106-060202	BOLT, M6X 20 PLATED	4							
31	1	129900-49870	GASKET, THERMOSTAT	1							
32	1	23414-080000	GASKET, 8X1.0	1							
33	1	26106-080122	BOLT, M8X 12 PLATED	1							
34	1	26106-080602	BOLT, M8X 60 PLATED	3							
35	1	171056-49120	PLUG, DRAIN R1/4	1							
36	1	121450-42450	PLUG, M16	2							
37	1	124465-44950	GASKET, 16	2							
38	1	129927-49610	HOSE ASSY, WATER A	1							
41	2	23080-012000	CLAMP, 12	2							
42	1	129927-49620	HOSE ASSY, WATER B	1							
45	2	23080-012000	CLAMP, 12	2							

Fig.11. FUEL INJECTION PUMP

(A)=4TNV98-ZCPLYS
(B)=
(C)=

(D)=
(E)=
(F)=



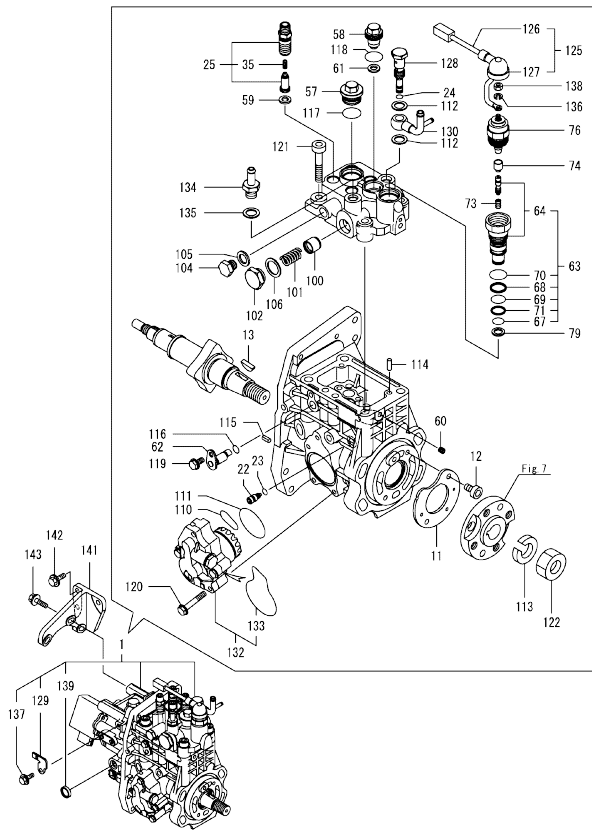
No.	Lev.	Parts No.	Description	Q'ty						I	R
				(A)	(B)	(C)	(D)	(E)	(F)		
1	1	729926-51340	FIE ASSY	1							1
11	2	129928-51900	COVER, OIL	1							
12	2	129008-51920	BOLT, M6X10	2							
13	2	144626-51090	KEY, FEATHER 5X19	1							
22	2	158600-51270	STOPPER, TAPPET	1							
23	2	158563-51281	O-RING, 4D S6	1							
24	2	158563-51281	O-RING, 4D S6	1							
25	2	129927-51390	VALVE ASSY, DELIVERY	4							
35	3	158563-51330	SPRING, DELIVERY	4							
57	2	158601-51550	PLUG, M22	1							
58	2	129907-51560	PLUG, M16	1							
59	2	158552-51571	GASKET, BARREL PLUG	4							
60	2	158557-51570	PLUG, RACK	1							
61	2	129906-51580	GASKET, BARREL PLUG	1							
62	2	158552-51580	LIFTER, LINK	1							
63	2	129657-51590	TIMER ASSY	1							
64	3	129657-51600	TIMER ASSY	1							
67	3	158553-51670	O-RING, PUMP TIMER	1							
68	3	119802-51680	RING, BACKUP	1							
69	3	119802-51690	O-RING, 1016	1							
70	3	24356-190200	O-RING, 4D19020	1							
71	3	24372-000150	RING, BACK UP T2P15	1							
73	2	119852-51630	SPRING, TIMER	1							
74	2	119852-51640	CAP, TIMER	1							
76	2	119852-51650	VALVE ASSY, SOLENOID	1							
79	2	158553-51680	GASKET, TIMER	1							
100	2	158601-51770	PISTON, ACCUMULATOR	1							
101	2	158552-51781	SPRING, ACCUMULATOR	1							
102	2	158601-51790	PLUG, ACCUMULATOR	1							
104	2	158553-51930	PLUG, M12	1							
105	2	22190-120002	WASHER, SEAL 12	1							
106	2	22190-180002	WASHER, SEAL 18	1							
110	2	158552-52311	O-RING, FEED PUMP	1							
111	2	158552-52400	O-RING, 4E S42	1							
112	2	22190-120002	WASHER, SEAL 12	2							
113	2	22217-180000	WASHER, SPRING 18	1							
114	2	22312-050140	PIN, PARALLEL 5X14	2							
115	2	22351-050010	PIN, SPRING 5.0X10	2							
116	2	24311-000070	O-RING, 1AP7.0	1							
117	2	24356-190200	O-RING, 4D19020	1							
118	2	24356-240210	O-RING, 4D24021	1							
119	2	26106-060102	BOLT, M6X 10 PLATED	1							
120	2	26106-060352	BOLT, M6X 35 PLATED	4							
121	2	26450-100452	BOLT, M10X 45	4							
122	2	26776-180002	NUT, LOCK M18	1							
125	2	129927-51650	HARNES ASSY, WIRE	1							
126	3	129927-51660	HARNES	1							
127	3	129263-77941	CAP, RUBBER	1							
128	2	158601-51650	JOINT, OVERFLOW	1							
129	2	129927-51670	BRACKET	1							
130	2	158552-51670	JOINT, OVERFLOW	1							

Remarks
 (1)Governor(Fig.12) is incorporated in this Fuel Injection Pump(No.1).
 (1)Eco pump
 Make sure to update the engines ECU information when replacing the Eco pump.
 Failing to do so will result in engine malfunction.

Fig.11. FUEL INJECTION PUMP

(A)=4TNV98-ZCPLYS
(B)=
(C)=

(D)=
(E)=
(F)=

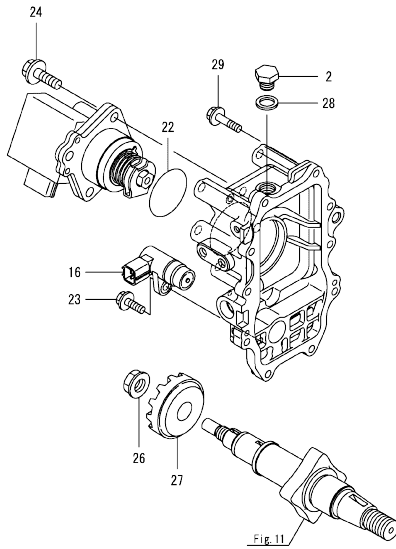


No.	Lev.	Parts No.	Description	Q'ty					
				(A)	(B)	(C)	(D)	(E)	(F)
132	2	158552-52100	PUMP ASSY, FUEL FEED	1					
133	3	158552-52500	O-RING, PUMP INNER	1					
134	2	119934-59910	JOINT, PIPE	1					
135	2	22190-120002	WASHER, SEAL 12	1					
136	2	22217-050000	WASHER, SPRING 5	1					
137	2	26106-060122	BOLT, M6X 12 PLATED	1					
138	2	26716-050002	NUT, M5	1					
139	2	27241-160000	PLUG, 16	1					
141	1	129927-51250	RETAINER, FUEL PUMP	1					
142	1	26106-080202	BOLT, M8X 20 PLATED	3					
143	1	26106-080302	BOLT, M8X 30 PLATED	3					

Remarks
 (1)Governor(Fig.12) is incorporated in this Fuel Injection Pump(No.1).
 (1)Eco pump
 Make sure to update the engines ECU information when replacing the Eco pump.
 Failing to do so will result in engine malfunction.

OCD50-M03850 ENGINE
 Fig.12. GOVERNOR

OCD50-M03850 Fig.12



(A)=4TNV98-ZCPLY5
 (B)=
 (C)=

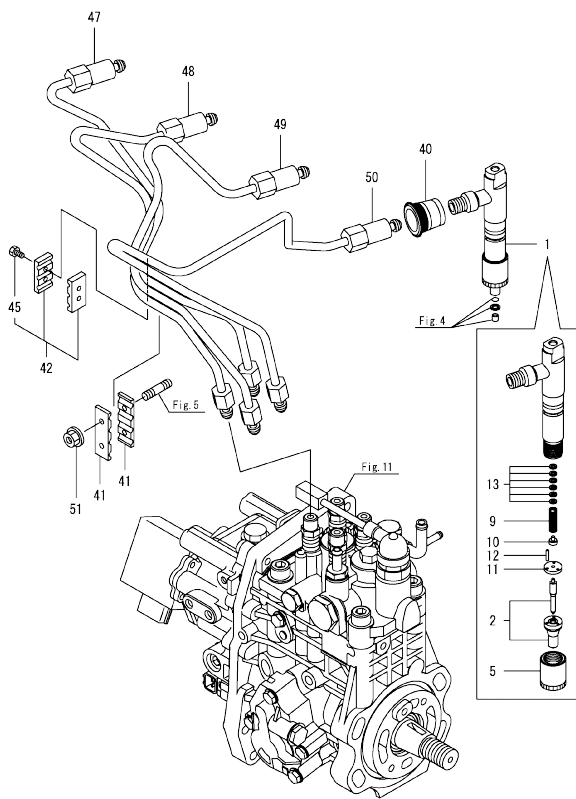
(D)=
 (E)=
 (F)=

No.	Lev.	Parts No.	Description	Q'ty						I	R
				(A)	(B)	(C)	(D)	(E)	(F)		
2	2	158553-51930	PLUG, M12	1							
16	2	158557-61720	SENSOR, ROTATION	1							
22	2	24341-000480	O-RING, 1AS48.0	1							
23	2	26106-060162	BOLT, M6X 16 PLATED	1							
24	2	26106-080252	BOLT, M8X 25 PLATED	3							
26	2	129008-61301	NUT, SUPPORT	1							
27	2	158553-61780	GEAR, SENSOR	1							
28	2	22190-120002	WASHER, SEAL 12	1							
29	2	26106-060252	BOLT, M6X 25 PLATED	10							

Remarks
 * This figure(Governor) is incorporated in the Fuel Injection Pump(Fig.11).

N:Old $\frac{100}{100}$ New, Q:Old $\frac{100}{100}$ New, R:Old $\frac{100}{100}$ New, S:Old $\frac{100}{100}$ New, W:Add, Z:Discontinued, F:Interchangeable by set, K:Q'ty Change
 Copyright (C) 2018 YANMAR GLOBAL CS CO., LTD. All Rights Reserved.

Fig.13. FUEL INJECTION VALVE



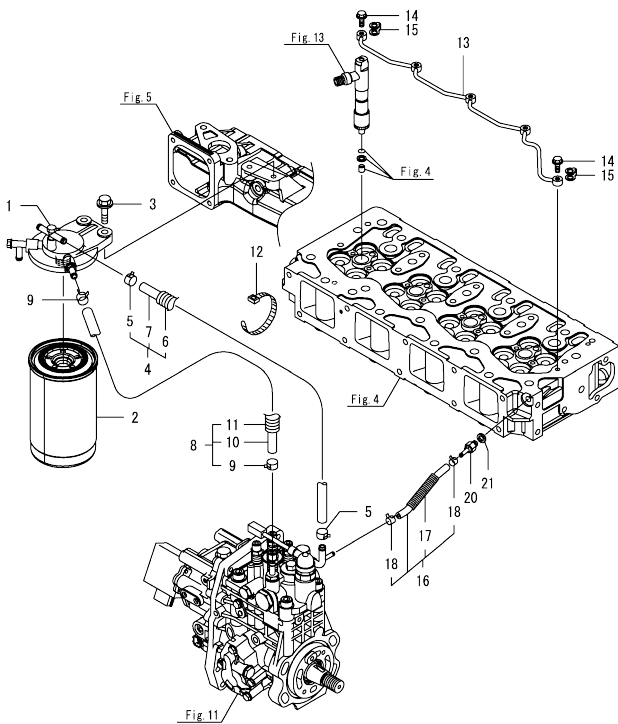
(A)=4TNV98-ZCPLYS
(B)=
(C)=

(D)=
(E)=
(F)=

No.	Lev.	Parts No.	Description	Q'ty						I	R
				(A)	(B)	(C)	(D)	(E)	(F)		
1	1	729927-53100	VALVE ASSY,INJECTION	4							
2	2	129927-53000	VALVE ASSY,INJECTION	4							
5	2	114250-53080	NUT, NOZZLE	4							
9	2	114250-53120	SPRING, NOZZLE	4							
10	2	114250-53130	SEAT, SPRING	4							
11	2	114250-53140	SPACER, VALVE STOP	4							
12	2	114250-53210	PIN, POSITIONING	8							
13	2	119803-53400	SHIM SET	4							1
40	1	123907-11601	SEAL, PIPE	4							
41	1	123472-59120	RETAINER, PIPE	2							
42	1	129150-59120	RETAINER, PIPE	1							
45	2	129150-59131	BOLT, M4X14	2							
47	1	129927-59810	PIPE ASSY, INJECTION	1							
48	1	129927-59820	PIPE ASSY, INJECTION	1							
49	1	129927-59830	PIPE ASSY, INJECTION	1							
50	1	129927-59840	PIPE ASSY, INJECTION	1							
51	1	26366-060002	NUT, M6	2							

Remarks
(1)Spare parts.

Fig.14. FUEL PIPE

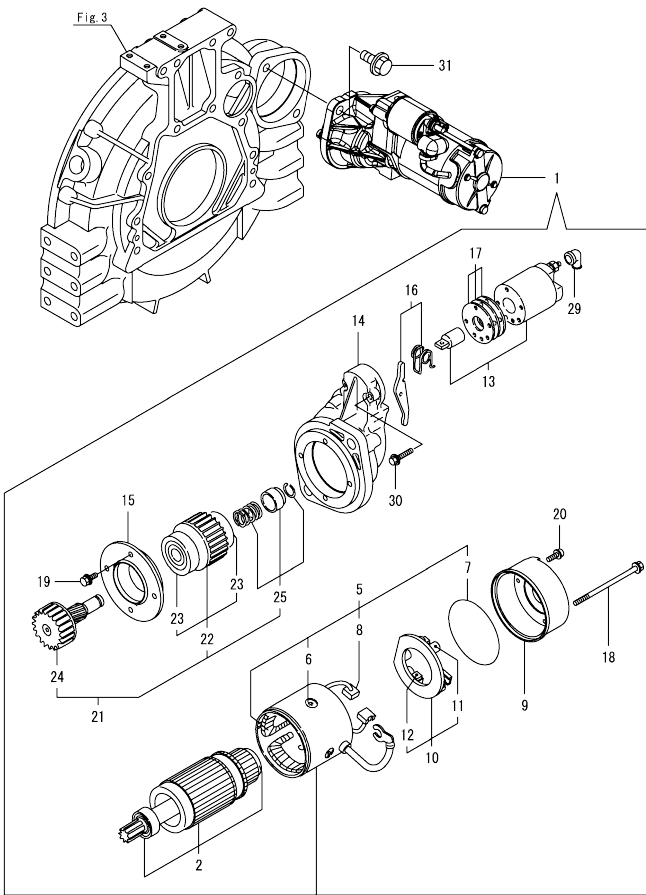


(A)=4TNV98-ZCPLYS
(B)=
(C)=

(D)=
(E)=
(F)=

No.	Lev.	Parts No.	Description	Q'ty						I	R
				(A)	(B)	(C)	(D)	(E)	(F)		
1	1	129004-55612	BRACKET, FILTER	1							
2	1	129907-55801	FILTER, FUEL	1							
3	1	26106-080302	BOLT, M8X 30 PLATED	2							
4	1	129457-59010	HOSE ASSY, FUEL	1							
5	2	124766-59050	CLAMP, HOSE 11.5	2							
6	2	129957-59120	TUBE, CORRUGATED 15	1							
7	2	105025-59750	HOSE, FUEL	1							
8	1	129961-59310	HOSE ASSY, FUEL	1							
9	2	124766-59050	CLAMP, HOSE 11.5	2							
10	2	129136-59110	HOSE, D13/7.5X270	1							
11	2	129961-59110	TUBE, CORRUGATED 15	1							
12	1	121750-59890	BAND, NYLON	1							
13	1	129907-59140	PIPE ASSY, RETURN	1							
14	1	123907-59540	BOLT, PIPE JOINT M6	5							
15	1	123907-59550	GASKET, FUEL RETURN	5							
16	1	129927-59550	HOSE ASSY RETURN	1							
17	2	129263-49750	TUBE, CORRUGATED	1							
18	2	124722-59050	CLAMP, HOSE 9	2							
20	1	123907-59560	JOINT, HOSE	1							
21	1	22190-080002	WASHER, SEAL 8	1							

Fig.15. STARTER MOTOR

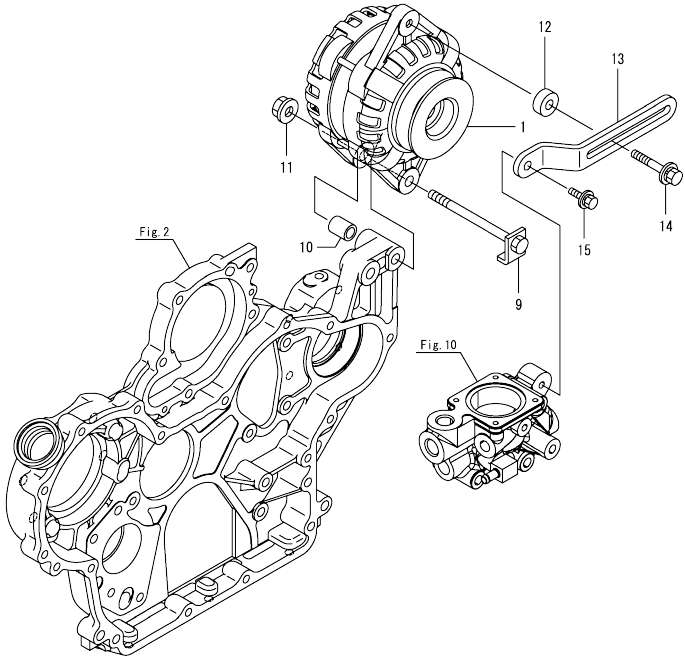


(A)=4TNV98-ZCPLYS
(B)=
(C)=

(D)=
(E)=
(F)=

No.	Lev.	Parts No.	Description	Qty						I	R
				(A)	(B)	(C)	(D)	(E)	(F)		
1	1	129940-77011	STARTER, 12V.3KW	1							
2	2	129940-77100	ARMATURE ASSY	1							
5	2	129940-77130	COIL ASSY, FIELD	1							
6	3	129940-77140	SCREW, CORE SET	4							
7	3	129940-77150	O-RING	1							
8	3	129940-77160	BRUSH, +	2							
9	2	129940-77171	COVER, REAR	1							
10	2	129940-77181	HOLDER ASSY, BRUSH	1							
11	3	129940-77190	SPRING, BRUSH	1							
12	3	129940-77200	BRUSH, -	2							
13	2	129940-77210	SWITCH ASSY, MAGNET	1							
14	2	129940-77221	CASE, GEAR	1							
15	2	129940-77230	RETAINER, BEARING	1							
16	2	129940-77240	LEVER SET, SHIFT	1							
17	2	129940-77250	COVER KIT, DUST	1							
18	2	129940-77260	BOLT, THROUGH	2							
19	2	129940-77270	BOLT, M6X20	4							
20	2	129940-77280	SCREW, M4	2							
21	2	123900-77510	CLUTCH ASSY, PINION	1							
22	3	123900-77520	CLUTCH ASSY	1							
23	4	X2240610100	BEARING, BALL	2							
24	3	123900-77540	SHAFT, PINION	1							
25	3	119131-77550	STOPPER SET, PINION	1							
29	2	121254-77810	COVER, TERMINAL M	1							
30	2	114371-79070	BOLT, M6	2							
31	1	26106-120252	BOLT, M12X 25 PLATED	2							

Fig.16. GENERATOR

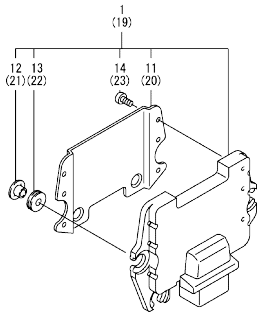


(A)=4TNV98-ZCPLYS
(B)=
(C)=

(D)=
(E)=
(F)=

No.	Lev.	Parts No.	Description	Q'ty						I	R
				(A)	(B)	(C)	(D)	(E)	(F)		
1	1	129908-77210	ALTERNATOR	1							
9	1	129908-77220	BOLT, STOPPER M10	1							
10	1	129908-77360	PIECE, DISTANCE	1							
11	1	26306-100002	NUT, M10	1							
12	1	119940-77270	SPACER, GENERATOR	1							
13	1	129936-77300	ADJUSTER, BELT	1							
14	1	129972-77341	BOLT, ADJUSTER L=50	1							
15	1	26014-080252	BOLT, M8X 25	1							

Fig.17. ELECTRONIC CONTROL UNIT(ECU)



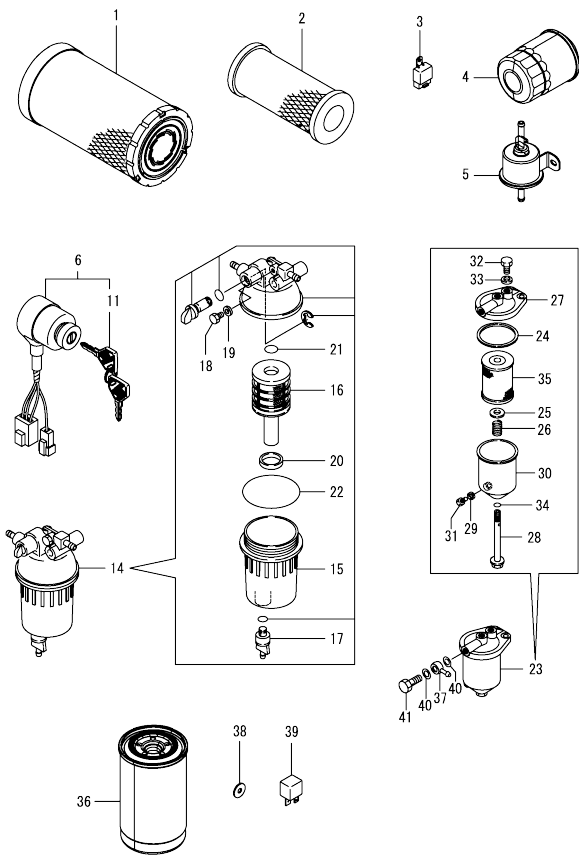
No.	Lev.	Parts No.	Description	Q'ty						I	R
				(A)	(B)	(C)	(D)	(E)	(F)		
1	1	129926-75200	ECU ASSY,4V98-ZCPLYS	1							1
11	2	129927-77600	SHIELD, ECU	1							
12	2	129927-77680	COLLAR, CONTROLLER	3							
13	2	119578-91351	RUBBER, CONTROLLER	3							
14	2	22877-500080	SCREW, 5X 8	6							
19	1	129927-75901	ECU ASSY, SERVICE	1							2
20	2	129927-77600	SHIELD, ECU	1							
21	2	129927-77680	COLLAR, CONTROLLER	3							
22	2	119578-91351	RUBBER, CONTROLLER	3							
23	2	22877-500080	SCREW, 5X 8	6							

Remarks
 (1)Eco ECU
 This part cannot be ordered.
 Replace the part using a Service ECU with the proper engine information installed.
 (2)Service ECU
 If the proper information is not installed, the engine will not operate.
 To install proper information, go to an authorized distributor.

Fig.18. ACCESSORY

(A)=4TNV98-ZCPLYS
(B)=
(C)=

(D)=
(E)=
(F)=

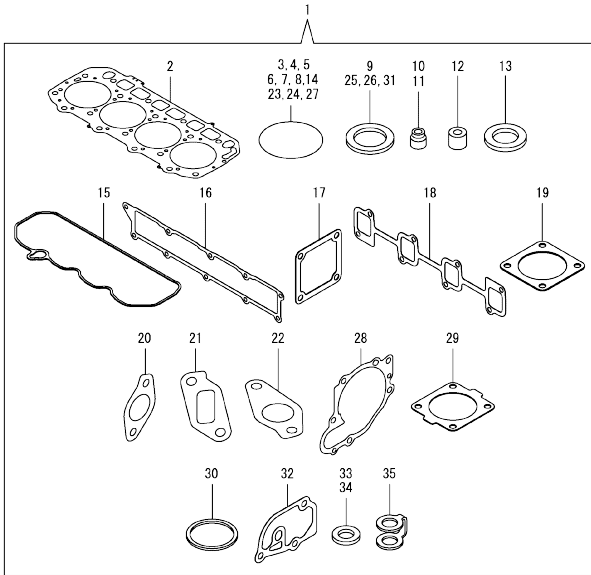


No.	Lev.	Parts No.	Description	Qty						I	R	
				(A)	(B)	(C)	(D)	(E)	(F)			
1	1	129935-12520	ELEMENT, OUTER	1								
2	1	119160-12570	ELEMENT, INNER	1								
3	1	172B02-17150	RELAY, CA TYPE C	3								
4	1	119005-35151	FILTER, OIL D80X100	1								
5	1	129612-52100	PUMP, FUEL FEED	1								
6	1	194940-52110	SWITCH, STARTING	1								
6-1	1	129902-77500	SWITCH ASSY, STARTER	1								N
(A=E135242)												
11	2	198360-52160	KEY ASSY, SPARE	1								
14	1	129245-55701	SEPARATOR ASSY, WATER	1								
15	2	129245-55720	CUP ASSY, SEPARATOR	1								
16	2	129242-55730	ELEMENT, FUEL FILTER	1								
17	2	129242-55740	PLUG, DRAIN	1								
18	2	129242-55750	VALVE, AIR VENT	1								
19	2	129242-55760	GASKET, PLUG	1								
20	2	129242-55770	FLOAT	1								
21	2	24311-000160	O-RING, 1AP16.0	1								
22	2	24321-000750	O-RING, 1AG75.0	1								
23	1	129065-55750	SEPARATOR ASSY, WATER	1								
24	2	123325-35140	GASKET, COVER	1								
25	2	123325-35160	SEAT, SPRING	1								
26	2	129065-55170	SPRING, FILTER	1								
27	2	129495-55610	BODY, STRAINER	1								
28	2	129495-55620	BOLT, CENTER	1								
29	2	123672-55760	GASKET	1								
30	2	129065-55760	CASE, SEPARATOR	1								
31	2	129065-55770	PLUG, DRAIN M8	1								
32	2	129065-55800	PLUG, M14	1								
33	2	123678-55890	GASKET, PLUG	1								
34	2	24311-000120	O-RING, 1AP12.0	1								
35	2	41650-550800	ELEMENT, FUEL	1								
36	1	129907-55801	FILTER, FUEL	1								
37	1	121750-59910	JOINT, BALL 14	2								
38	1	129927-77690	WASHER, ECU	3								
39	1	129927-77920	RELAY, ISO 70A	2								
40	1	22190-140002	WASHER, SEAL 14	4								
41	1	23857-080000	BOLT, JOINT 8	2								

Fig.19. GASKET SET

(A)=4TNV98-ZCPLYS
(B)=
(C)=

(D)=
(E)=
(F)=



No.	Lev.	Parts No.	Description	Q'ty						I	R
				(A)	(B)	(C)	(D)	(E)	(F)		
1	1	729927-92820	GASKET SET	1							1
2	2	129907-01331	GASKET, HEAD	1							
3	2	129900-32030	O-RING, P20	2							
4	2	129900-32040	O-RING, P14	1							
5	2	24311-000070	O-RING, 1AP7.0	1							
6	2	24351-030750	O-RING, 1A3075	1							
7	2	24311-000320	O-RING, 1AP32.0	2							
8	2	24321-000850	O-RING, 1AG85.0	1							
9	2	22190-220002	WASHER, SEAL 22	1							
10	2	119803-11340	SEAL, VALVE STEM	8							
11	2	124160-11340	SEAL, VALVE STEM	8							
12	2	119802-11870	PROTECTOR, NOZZLE	4							
13	2	119625-11880	SEAT, NOZZLE	4							
14	2	24311-000120	O-RING, 1AP12.0	8							
15	2	129933-11310	GASKET, BONNET	1							
16	2	129907-12110	GASKET, MANIFOLD	1							
17	2	121850-77021	GASKET, AIR HEATER	1							
18	2	129900-13251	GASKET, MANIFOLD	1							
19	2	129400-13201	GASKET, SILENCER	1							
20	2	129927-13810	GASKET, EGR PIPE	1							
21	2	129927-13910	GASKET, EGR	1							
22	2	129927-13920	GASKET, EGR	1							
23	2	24341-000530	O-RING, 1AS53.0	1							
24	2	24311-240100	O-RING, 1AP10A	1							
25	2	22190-080002	WASHER, SEAL 8	9							
26	2	22190-300002	WASHER, SEAL 30	1							
27	2	24321-000600	O-RING, 1AG60.0	1							
28	2	129900-42020	GASKET, WATER PUMP	1							
29	2	121850-49540	GASKET, THERMOSTAT	1							
30	2	121850-49550	GASKET, THERMOSTAT	1							
31	2	22190-120002	WASHER, SEAL 12	1							
32	2	129900-49870	GASKET, THERMOSTAT	1							
33	2	23414-080000	GASKET, 8X1.0	1							
34	2	124465-44950	GASKET, 16	2							
35	2	123907-59550	GASKET, FUEL RETURN	5							

Remarks

(1)Optional parts.

Parts No. Index

Parts No.	Fig. No.	Ref. No.
105010-39140	9	51
105025-59750	14	7
114250-53080	13	5
114250-53120	13	9
114250-53130	13	10
114250-53140	13	11
114250-53210	13	12
114371-79070	15	30
119000-35140	9	22
119005-35151	9	53
	18	4
119131-18320	6	3
119131-77550	15	25
119140-12680	5	15
119160-12530	5	11
119160-12540	5	12
119160-12570	5	13
	18	2
119260-34810	9	2
119578-91351	17	13
		22
119593-11301	4	27
119620-01750	3	4
119620-11180	4	12
119625-11880	4	23
	19	13
119640-01640	3	9
119640-61400	4	58
119761-39450	9	40
119802-11870	4	22
	19	12
119802-51680	11	68
119802-51690	11	69
119803-11340	4	13
	19	10
119803-53400	13	13
119852-51630	11	73
119852-51640	11	74
119852-51650	11	76
119934-59910	11	134
119940-77270	16	12
120130-22301	8	21
121023-26071	2	37
121254-77810	15	29
121450-42450	10	36
121750-59890	14	12
121750-59910	18	37
121850-21130	8	11
121850-21290	8	4
121850-21920	8	5

Parts No.	Fig. No.	Ref. No.
121850-49540	10	23
	19	29
121850-49550	10	25
	19	30
121850-49811	10	26
121850-77021	5	20
	19	17
123325-35140	18	24
123325-35160	18	25
123472-59120	13	41
123672-55760	18	29
123678-55890	18	33
123900-25060	7	9
123900-42471	10	14
123900-44740	10	16
123900-44761	10	17
123900-77510	15	21
123900-77520	15	22
123900-77540	15	24
123907-03100	4	52
123907-03110	4	53
123907-03120	4	54
123907-03140	4	55
123907-11280	4	32
123907-11550	4	1
123907-11601	13	40
123907-11820	4	19
123907-11830	4	18
123907-39500	9	43
123907-59540	14	14
123907-59550	14	15
	19	35
123907-59560	14	20
124160-01751	2	31
	4	47
124160-11340	4	14
	19	11
124160-11360	4	63
124465-44950	10	37
	19	34
124722-59050	14	18
124766-59050	14	5
		9
129004-55612	14	1
129005-59830	9	45
129008-51920	11	12
129008-61301	12	26
129065-55170	18	26
129065-55750	18	23
129065-55760	18	30

Parts No.	Fig. No.	Ref. No.
129065-55770	18	31
129065-55800	18	32
129100-01580	2	1
	3	1
129136-59110	14	10
129150-02450	7	4
129150-11230	4	35
		39
129150-11750	4	17
		36
		40
129150-14200	7	1
129150-59120	13	42
129150-59131	13	45
129238-35111	9	7
129242-55730	18	16
129242-55740	18	17
129242-55750	18	18
129242-55760	18	19
129242-55770	18	20
129245-55701	18	14
129245-55720	18	15
129263-13210	6	5
129263-49750	14	17
129263-77941	11	127
129400-13201	6	9
	19	19
129418-18320	6	4
129457-59010	14	4
129495-55610	18	27
129495-55620	18	28
129612-12650	5	14
129612-52100	18	5
129657-51590	11	63
129657-51600	11	64
129900-01200	1	27
129900-01250	1	4
129900-01620	3	2
129900-01850	2	43
129900-01870	2	44
129900-02020	1	6
129900-02410	1	9
129900-07900	4	66
129900-13251	6	6
	19	18
129900-14110	7	6
129900-14140	2	48
129900-21220	8	3
129900-21600	8	14
129900-23001	8	23

Parts No.	Fig. No.	Ref. No.
129900-23200	8	26
129900-23911	8	29
129900-26030	7	16
129900-26250	2	49
129900-32001	2	10
129900-32030	2	22
	9	33
	19	3
129900-32040	2	23
	19	4
129900-35000	9	34
129900-42020	10	1
	19	28
129900-49870	10	31
	19	32
129902-01710	3	8
129902-21050	8	1
129902-77500	18	6 -1
129906-51580	11	61
129907-01331	1	28
	19	2
129907-03011	4	49
129907-03061	4	50
129907-03070	4	51
129907-11100	4	9
129907-11110	4	10
129907-11120	4	11
129907-11250	4	29
129907-11260	4	30
129907-11270	4	31
129907-11341	4	28
129907-11510	4	15
129907-11650	4	33
129907-11660	4	37
129907-11800	4	70
129907-11910	4	24
129907-11920	4	41
129907-11950	4	25
129907-12110	5	1
	19	16
129907-14400	7	2
129907-25900	7	15
129907-51560	11	58
129907-55801	14	2
	18	36
129907-59140	14	13
129908-14590	7	3
129908-77210	16	1
129908-77220	16	9
129908-77360	16	10

Parts No. Index

Parts No.	Fig. No.	Ref. No.	Parts No.	Fig. No.	Ref. No.	Parts No.	Fig. No.	Ref. No.	Parts No.	Fig. No.	Ref. No.
129915-77051	5	21	129927-77680	17	12	129960-21930	8	10	22190-120002	11	105
129916-01790	3	7			21	129960-21940	8	8			112
129916-01800	2	42	129927-77690	18	38	129961-59110	14	11			135
129916-21610	8	7	129927-77920	18	39	129961-59310	14	8			12 28
129916-49530	10	22	129928-13900	6	22	129962-01500	2	3			19 31
129926-22080	8	15	129928-34850	9	3	129972-77341	16	14	22190-140002	18	40
129926-35130	9	9	129928-51900	11	11	129C22-39100	9	25	22190-180002	11	106
129926-35180	9	28	129930-39050	9	50	129E00-13650	6	7	22190-220002	3	11
129926-75200	17	1	129933-11310	4	57	129E00-22050	8	17			19 9
129927-02340	1	32			19 15	129E00-22900	8	32	22190-300002	19	26
129927-02930	1	24	129935-12520	5	10	129E00-22950	8	34	22217-050000	11	136
129927-02940	1	35			18 1	129E23-35140	9	21	22217-180000	11	113
129927-11320	4	48	129936-77300	16	13	129E23-39100	9	26	22252-000300	8	22
129927-11700	4	2	129938-13682	6	11	144626-51090	11	13	22312-050140	11	114
129927-12100	5	3	129939-12070	5	7	158552-51571	11	59	22351-050010	11	115
129927-12150	5	2	129939-12570	5	9	158552-51580	11	62	22351-060012	1	11
129927-12560	5	8	129940-42240	10	15	158552-51670	11	130	22512-070140	7	7
129927-13101	6	2	129940-77011	15	1	158552-51781	11	101			8 6
129927-13150	6	1	129940-77100	15	2	158552-52100	11	132	22857-500100	4	60
129927-13800	6	18	129940-77130	15	5	158552-52311	11	110			61
129927-13810	6	19	129940-77140	15	6	158552-52400	11	111	22877-500080	17	14
	19	20	129940-77150	15	7	158552-52500	11	133			23
129927-13910	6	23	129940-77160	15	8	158553-51670	11	67	23000-080000	5	16
	19	21	129940-77171	15	9	158553-51680	11	79	23000-102000	5	17
129927-13920	6	24	129940-77181	15	10	158553-51930	11	104	23080-012000	10	41
	19	22	129940-77190	15	11			12 2			45
129927-23600	8	27	129940-77200	15	12	158553-61780	12	27	23414-080000	10	32
		30	129940-77210	15	13	158557-51570	11	60			19 33
129927-25110	7	10	129940-77221	15	14	158557-61720	12	16	23857-030000	9	47
129927-25920	7	19	129940-77230	15	15	158563-51150	7	18	23857-080000	18	41
129927-39060	9	41	129940-77240	15	16	158563-51281	11	23	23875-030000	10	29
129927-42140	2	24	129940-77250	15	17			24	23876-020000	4	6
129927-44900	10	20	129940-77260	15	18	158563-51330	11	35	23876-030000	1	12
129927-49610	10	38	129940-77270	15	19	158600-51270	11	22			13
129927-49620	10	42	129940-77280	15	20	158601-51550	11	57			14
129927-49800	10	19	129944-07900	4	67	158601-51650	11	128			4 7
129927-51250	11	141	129944-13510	6	10	158601-51770	11	100	24311-000070	2	25
129927-51390	11	25	129944-13650	6	12	158601-51790	11	102			11 116
129927-51650	11	125	129944-21650	8	9	171051-01921	1	5			19 5
129927-51660	11	126	129948-42110	10	2	171056-49120	10	35	24311-000120	4	26
129927-51670	11	129	129951-01740	2	33	172B02-17150	18	3			64
129927-53000	13	2	129951-34801	9	1	175339-79700	4	59			18 34
129927-59550	14	16	129953-21570	8	12	194940-52110	18	6			19 14
129927-59810	13	47	129953-25300	7	14	198360-52160	18	11	24311-000160	18	21
129927-59820	13	48	129953-39500	9	18	22190-080002	9	46	24311-000320	2	32
129927-59830	13	49			24			48			4 65
129927-59840	13	50	129953-39501	9	18 -1			52			19 7
129927-75901	17	19			24 -1			21	24311-240100	19	24
129927-77600	17	11	129956-33110	9	6			19 25	24314-000200	9	29
		20	129957-59120	14	6			10 28	24316-240100	9	4

Parts No. Index

Parts No.	Fig. No.	Ref. No.
24321-000600	9	30
	19	27
24321-000750	18	22
24321-000850	2	38
	19	8
24341-000480	12	22
24341-000530	19	23
24351-030750	2	26
	19	6
24356-190200	11	70
		117
24356-240210	11	118
24372-000150	11	71
26013-080222	5	18
		19
26014-080202	6	14
26014-080222	6	15
26014-080252	16	15
26106-060102	11	119
26106-060122	4	62
	11	137
26106-060162	12	23
26106-060202	10	30
26106-060252	12	29
26106-060302	10	12
26106-060352	11	120
26106-080122	3	12
	9	39
		49
	10	33
26106-080142	7	8
26106-080162	2	27
		45
	4	68
	6	13
	9	5
		31
26106-080182	4	69
26106-080202	2	28
		34
	11	142
26106-080252	12	24
26106-080302	11	143
	14	3
26106-080352	5	22
26106-080402	2	46
	4	43
26106-080452	2	29
		35
	5	5

Parts No.	Fig. No.	Ref. No.
26106-080552	7	13
	10	13
26106-080602	4	44
		45
	10	34
26106-080702	2	47
26106-080752	2	36
26106-080802	5	6
26106-100202	2	39
26106-100302	6	20
		25
26106-100402	9	32
26106-100452	10	18
26106-100952	6	26
26106-120252	15	31
26206-100352	3	5
26206-100702	3	6
26216-060202	5	4
26216-100302	2	21
26226-080222	4	42
26306-080002	4	46
	6	8
		16
		17
		21
26306-100002	2	30
	16	11
26366-060002	13	51
26450-100452	11	121
26716-050002	11	138
26776-180002	11	122
27241-160000	11	139
27241-300000	1	10
27241-400000	4	8
27310-070001	4	20
41650-550800	18	35
729907-01559	2	40
729926-51340	11	1
729927-01560	1	1
729927-02800	1	29
729927-53100	13	1
729927-92820	19	1
X2240610100	15	23

Parts No.	Fig. No.	Ref. No.
-----------	----------	----------

Parts No.	Fig. No.	Ref. No.
-----------	----------	----------