

0CV10-M82500EN

Directions for the Parts Catalog.

1. The parts stipulated in this Parts Catalog are not necessarily standard equipped parts.
2. Parts may change without prior notice.
3. The following is an example of the Parts Catalog format.

REF.	LEV.	PARTS NO.	DESCRIPTION	Q'TY						I	R
				(A)	(B)	(C)	(D)	(E)	(F)		
1	1	729595-51390	FUEL INJECTION PUMP	1	1	1	1	1			1
1-1	1	729595-51391	FUEL INJECTION PUMP	1	1	1	1	1		N	1
		(A=E00185) (B=E00200)									
3	2	26022-060162	SCREW M 6X 16	9	9	9	9	9			
3-1	2	26022-060162	SCREW M 6X 16	4	4	4	4	4		K	
		(A=E00156) (B=E00156) (C=E00156) (D=E00156) (E=E00156)									
4	2	129470-51040	CAMSHAFT	1	1	1	1	1			
5	2	122710-51050	BEARING, ROLLER	2	2	2	2	2			
6	2	129470-51060	RETAINER	1	1	1	1	1			

Remarks
(1) BOOST COMPEMSATOR TYPE. OPTIONAL PART, TO E00155,(4JH-DT, 4JH-DTZ

① Ref. No.

The Ref. No. listed may not be in accordance with the illustration Ref. No.

(Ex.) Illustration No.

List Ref No.

1 1 (Before change) → 1-1 (After change)

For interchangeable symbols N, R and K, illustrations for new parts may be abbreviated.

② Lev. (Level)

Level indication

The numbers below indicate the level of relativity towards the main part.

1 ---- Main parts (Assembly parts)

2 ---- Sub component included in " 1 ".

3 ---- Sub component included in " 2 ".

Note) Parts that are not for sale are partially illustrated but not listed.

③ Interchangeability Mark

When a part change takes place, one of the following interchangeability symbols is indicated beside the part.

Symbol	Interchangeability	Contents note
N	Old $\begin{matrix} \leftarrow \text{Yes} \\ \text{No} \rightarrow \end{matrix}$ New	New Part is interchangeable for Old Part but Old Part is not interchangeable for New Part.
Q	Old $\begin{matrix} \leftarrow \text{No} \\ \text{Yes} \rightarrow \end{matrix}$ New	New Part is not interchangeable for Old Part but Old Part is interchangeable for New Part.
R	Old $\begin{matrix} \leftarrow \text{Yes} \\ \text{Yes} \rightarrow \end{matrix}$ New	New/ Old Parts are both interchangeable.
S	Old $\begin{matrix} \leftarrow \text{No} \\ \text{No} \rightarrow \end{matrix}$ New	New/ Old Parts are both not interchangeable.
W		Part newly added.
Z		Part discontinued.
F		Not interchangeable by a single part but interchangeable together with related parts.
K		Changes only for used parts quantities.

④ Effective Machine No.

When a part changes, the effective Machine No. will be indicated in the (A)-(F) column.

Product Symbol	Product No.	Product Symbol	Product No.
C	Clutch No. Compressor No.	F	Machine No. (Agricultural Equip.)
D	Drive No.	M	Machine No.
E	Engine No.		

Note 1) A date may follow the symbol. (Ex.) 1996.01

Note 2) "XXXXX" and "ZZZZZ" are for parts that could not be predicted or for engine models that could not be identified.

Note 3) (A=E00185) is the E (Engine Serial Number) for the column (A) model (in this case 4JH-DT) after the parts design change.

⑤ Remarks Mark

Figures or alphabets (symbols) are entered in the remarks column.

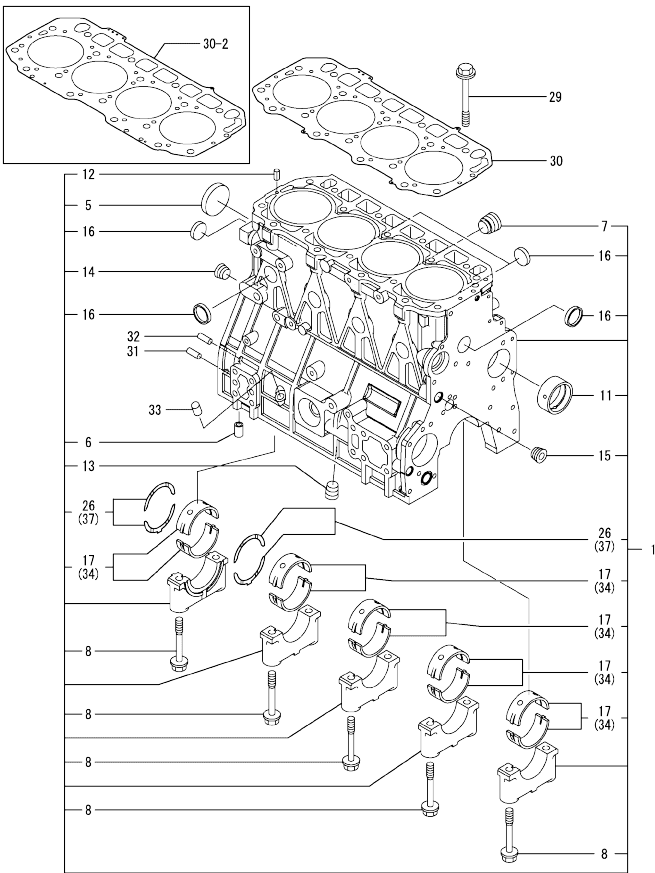
The comments (remarks) on parts that are indicated at the bottom of the illustration are the same symbols as those stated above.

Contents

0CV10-M82500

Fig. No.	Fig. Name	Fig. No.	Fig. Name
4TNV94L-NLANG			
1.	CYLINDER BLOCK		
2.	GEAR HOUSING		
3.	MOUNTING FLANGE & OIL SUMP		
4.	CYLINDER HEAD & BONNET		
5.	SUCTION & EXHAUST MANIFOLD		
6.	CAMSHAFT & DRIVING GEAR		
7.	CRANKSHAFT & PISTON		
8.	BALANCER		
9.	LUB. OIL SYSTEM		
10.	COOLING WATER SYSTEM		
11.	FUEL INJECTION PUMP		
12.	FUEL INJECTION VALVE		
13.	FUEL LINE		
14.	STARTING MOTOR		
15.	GENERATOR		
16.	GASKET SET		
17.	FUEL INJECTION PUMP(INNER PARTS)		
18.	GOVERNOR (INNER PARTS)		

Fig.1. CYLINDER BLOCK



(A)=4TNV94L-NLANG
(B)=
(C)=

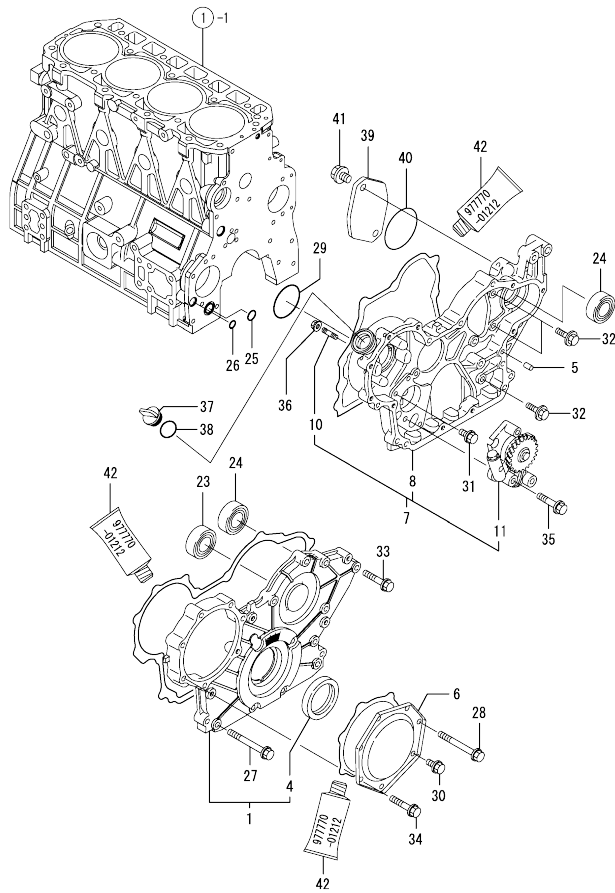
(D)=
(E)=
(F)=

No.	Lev.	Parts No.	Description	Q'ty						I	R
				(A)	(B)	(C)	(D)	(E)	(F)		
1	1	729962-01560	BLOCK ASSY, CYLINDER	1							
5	2	129900-01250	PLUG, 55	1							
6	2	129956-01710	PIPE, KNOCK L=25	1							
7	2	171051-01921	PLUG, NPTF1	1							
8	2	129900-02020	BOLT, METAL CAP	10							
11	2	129900-02410	BUSH, CAMSHAFT	1							
12	2	22351-060012	PIN, SPRING 6.0X12	2							
13	2	23876-030000	PLUG, R03	1							
14	2	23876-030000	PLUG, R03	1							
15	2	23876-030000	PLUG, R03	1							
16	2	27241-300000	PLUG 30	8							
17	2	129900-02800	BEARING, MAIN	5							
26	2	129900-02930	BEARING, THRUST	2							
29	1	129900-01200	BOLT, HEAD	18							
30	1	129906-01339	GASKET, HEAD	1							
30-1	1	129906-01340	GASKET, HEAD	1							N
		(A=EXXX)									
30-2	1	129906-01350	GASKET, HEAD	1							S
		(A=2009.12)									
31	1	129100-01580	PIN, M8X16	2							
32	1	129100-01580	PIN, M8X16	2							
33	1	119309-01810	PLUG	1							
34	1	129900-02340	BEARING, 0.25 US	5							1
37	1	129900-02940	BEARING, THRUST 0.25	2							2

Remarks

- (1) UNDER-SIZED(U.S=0.25)PART.
- (2) OVER-SIZED(O.S=0.25)PART.

OCV10-M82500 4TNV94L-NLANG
 Fig.2. GEAR HOUSING



OCV10-M82500 Fig.2

(A)=4TNV94L-NLANG
 (B)=
 (C)=

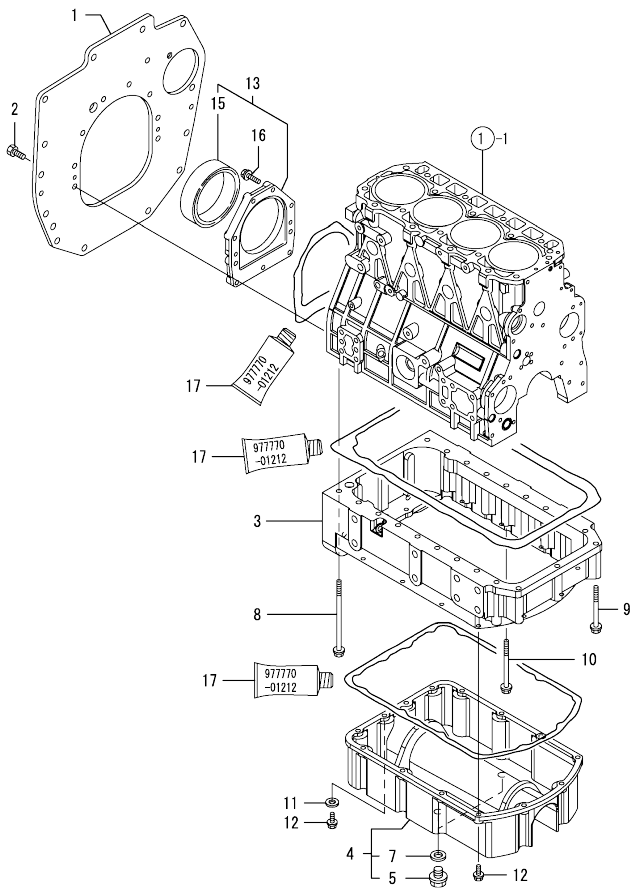
(D)=
 (E)=
 (F)=

No.	Lev.	Parts No.	Description	Qty						I	R	
				(A)	(B)	(C)	(D)	(E)	(F)			
1	1	729907-01540	COVER ASSY,GEAR CASE	1								
4	2	129900-01780	SEAL, OIL	1								
5	1	129100-01580	PIN, M8X16	4								
6	1	129900-01740	COVER	1								
7	1	129963-01800	CASE ASSY, GEAR	1								
8	2	129963-01500	CASE, GEAR	1								
10	2	121850-01900	STUD, SB10X32	4								
11	2	129908-32009	PUMP ASSY, OIL	1								
23	1	129900-14140	BEARING, BALL 6205	1								
24	1	129900-26250	BEARING, BALL 6206C3	2								
25	1	129900-32030	O-RING, P20	1								
26	1	129900-32040	O-RING, P14	1								
27	1	129001-91810	BOLT, M8X70	6								
28	1	129001-91810	BOLT, M8X70	1								
29	1	24351-030750	O-RING, 1A3075	1								
30	1	26106-080162	BOLT, M8X 16 PLATED	1								
31	1	26106-080162	BOLT, M8X 16 PLATED	1								
32	1	26106-080202	BOLT, M8X 20 PLATED	3								
33	1	26106-080402	BOLT, M8X 40 PLATED	5								
34	1	26106-080402	BOLT, M8X 40 PLATED	5								
35	1	26106-080452	BOLT, M8X 45 PLATED	3								
36	1	26306-100002	NUT, M10	4								
37	1	124160-01751	COVER, FILLER	1								
38	1	24311-000320	O-RING, 1AP32.0	1								
39	1	129930-01870	COVER	1								
40	1	24321-000850	O-RING, 1AG85.0	1								
41	1	26106-100202	BOLT, M10X 20 PLATED	2								
42	1	977770-01212	GASKET, LIQUID	1								1

Remarks
 (1) OPTIONAL PART.

N:Old $\frac{100}{100}$ New, Q:Old $\frac{100}{100}$ New, R:Old $\frac{100}{100}$ New, S:Old $\frac{100}{100}$ New, W:Add, Z:Discontinued, F:Interchangeable by set, K:Qty Change
 Copyright (C) YANMAR GLOBAL CS CO., LTD. All Rights Reserved.

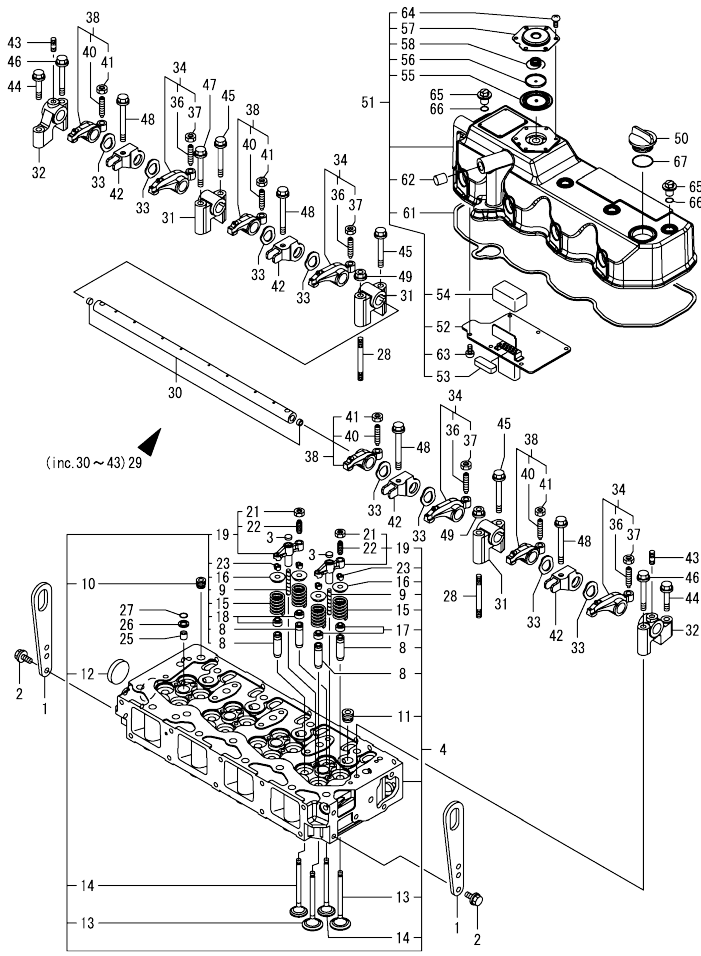
Fig.3. MOUNTING FLANGE & OIL SUMP



No.	Lev.	Parts No.	Description	Q'ty						I	R
				(A)	(B)	(C)	(D)	(E)	(F)		
1	1	129963-01600	FLANGE, MOUNTING	1							
2	1	26116-100202	BOLT, M10X 20 PLATED	9							
3	1	129956-01730	SUMP, OIL	1							
4	1	129956-01760	COVER ASSY, OIL SUMP	1							
5	2	105425-01690	PLUG, 16	2							
7	2	22190-160002	WASHER, SEAL 16	2							
8	1	129956-26210	BOLT, M8X150	2							
9	1	129001-91841	BOLT, M8X85	3							
10	1	129001-91870	BOLT, M8X100	16							
11	1	22190-080002	WASHER, SEAL 6	2							
12	1	26106-080252	BOLT, M8X 25 PLATED	14							
13	1	129956-01640	CASE ASSY, OIL SEAL	1							
15	2	124411-01780	SEAL, HTC95X115X12	1							
16	1	26106-080302	BOLT, M8X 30 PLATED	9							
17	1	977770-01212	GASKET, LIQUID	1							1

Remarks
(1) OPTIONAL PART.

Fig.4. CYLINDER HEAD & BONNET



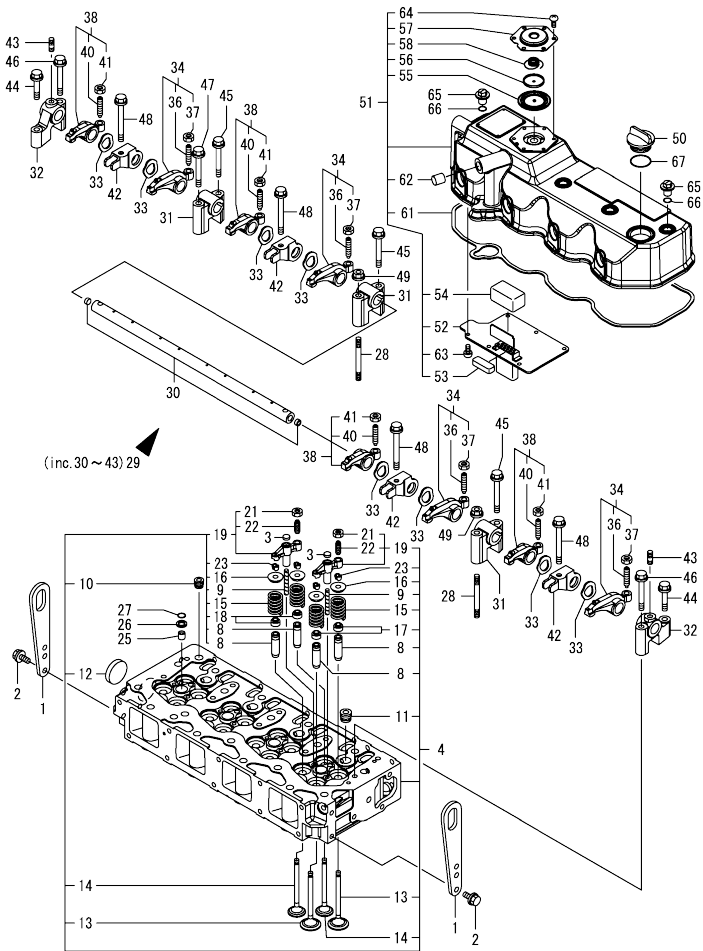
(A)=4TNV94L-NLANG
(B)=
(C)=

(D)=
(E)=
(F)=

No.	Lev.	Parts No.	Description	Q'ty						I	R
				(A)	(B)	(C)	(D)	(E)	(F)		
1	1	129900-07900	LIFTER	2							
2	1	26106-080142	BOLT, M8X 14 PLATED	4							
3	1	123907-11550	SEAT, VALVE BRIDGE	8							
4	1	129907-11700	HEAD ASSY, CYLINDER	1							
8	2	129908-11160	GUIDE, VALVE	16							
9	2	123907-11820	GUIDE	8							
10	2	23876-020000	PLUG, R02	1							
11	2	23876-030000	PLUG, R03	4							
12	2	27241-400000	PLUG, 40	1							
13	2	129907-11100	VALVE, INTAKE	8							
14	2	129907-11110	VALVE, EXHAUST	8							
15	2	129907-11120	SPRING, VALVE	16							
16	2	119620-11180	RETAINER, SPRING	16							
17	2	124160-11340	SEAL, VALVE STEM	8							
18	2	124950-11340	SEAL, VALVE STEM	8							
19	2	129907-11510	BRIDGE ASSY, VALVE	8							
21	3	129150-11750	NUT, M8	8							
22	3	123907-11830	ADJUSTER	8							
23	2	27310-070001	COTTER, 7	16							
25	1	119802-11870	PROTECTOR, NOZZLE	4							
26	1	119625-11880	SEAT, NOZZLE	4							
27	1	24311-000120	O-RING, 1AP12.0	4							
28	1	119593-11300	STUD, M8X80	2							
29	1	129907-11340	SUPPORT ASSY, ARM	1							
30	2	129907-11250	SHAFT, ROCKER ARM	1							
31	2	129907-11260	SUPPORT, ROCKER ARM	3							
32	2	129907-11270	SUPPORT, ROCKER ARM	2							
33	2	123907-11280	WASHER	8							
34	2	129907-11650	ARM, ROCKER	4							
36	3	129150-11230	SCREW, VALVE ADJUST	4							
37	3	129150-11750	NUT, M8	4							
38	2	129907-11660	ARM, ROCKER	4							
40	3	129150-11230	SCREW, VALVE ADJUST	4							
41	3	129150-11750	NUT, M8	4							
42	2	129907-11900	RETAINER, NOZZLE	4							
43	2	26226-080222	STUD, M8X 22	2							
44	1	26106-080402	BOLT, M8X 40 PLATED	2							
45	1	26106-080602	BOLT, M8X 60 PLATED	3							
46	1	26106-080602	BOLT, M8X 60 PLATED	2							
47	1	26106-080652	BOLT, M8X 65 PLATED	1							
48	1	26106-080752	BOLT, M8X 75 PLATED	4							
49	1	26306-080002	NUT, M8	2							
50	1	124160-01751	COVER, FILLER	1							
51	1	129907-11320	BONNET ASSY, HEAD	1							
52	2	129907-03010	PLATE	1							
53	2	129907-03060	BAFFLE, BREATHER	1							
54	2	129907-03070	BAFFLE, BREATHER	1							
55	2	123907-03100	DIAPHRAGM	1							
56	2	123907-03110	PLATE	1							
57	2	123907-03120	PLATE, BREATHER	1							
58	2	123907-03140	SPRING, DIAPHRAGM	1							

N:Old $\frac{New}{Old}$ New, Q:Old $\frac{New}{Old}$ New, R:Old $\frac{New}{Old}$ New, S:Old $\frac{New}{Old}$ New, W:Add, Z:Discontinued, F:Interchangeable by set, K:Q'ty Change
 ++ CONTINUE ++
 Copyright (C) YANMAR GLOBAL CS CO., LTD. All Rights Reserved.

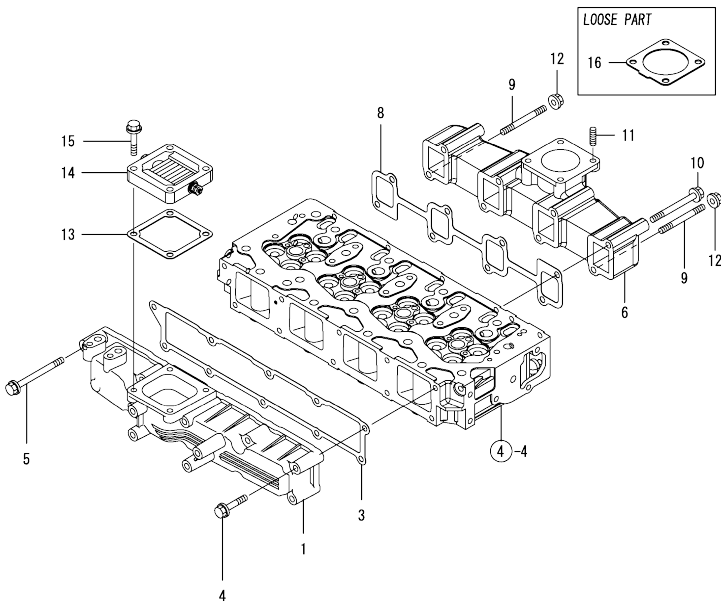
Fig.4. CYLINDER HEAD & BONNET



(A)=4TNV94L-NLANG
(D)=
(E)=
(F)=

No.	Lev.	Parts No.	Description	Q'ty						I	R
				(A)	(B)	(C)	(D)	(E)	(F)		
61	2	129907-11310	GASKET, BONNET	1							
62	2	119640-61400	PLUG	1							
63	2	22857-500100	SCREW, 5X10	6							
64	2	22857-500100	SCREW, 5X10	6							
65	1	124160-11360	KNOB	4							
66	1	24311-000120	O-RING, 1AP12.0	4							
67	1	24311-000320	O-RING, 1AP32.0	1							

Fig.5. SUCTION & EXHAUST MANIFOLD



(A)=4TNV94L-NLANG
(B)=
(C)=

(D)=
(E)=
(F)=

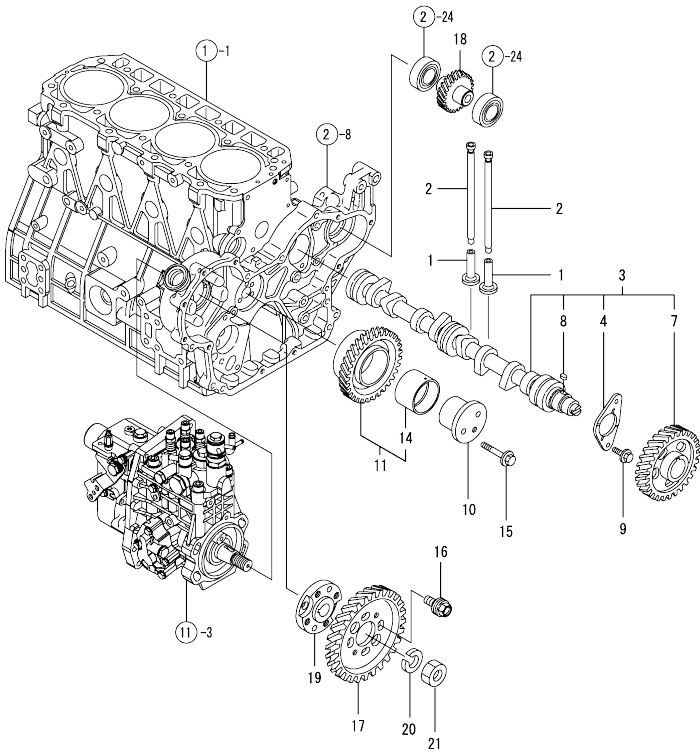
No.	Lev.	Parts No.	Description	Q'ty						I	R
				(A)	(B)	(C)	(D)	(E)	(F)		
1	1	129907-12100	MANIFOLD, AIR INTAKE	1							
3	1	129907-12110	GASKET, MANIFOLD	1							
4	1	26106-080552	BOLT, M8X 55 PLATED	9							
5	1	26106-080852	BOLT, M8X 85 PLATED	1							
6	1	129900-13209	MANIFOLD, EXHAUST	1							
8	1	129900-13251	GASKET	1							
9	1	123900-13610	STUD, M8X80	2							
10	1	123900-13630	BOLT, M8X80	6							
11	1	119131-18320	STUD, M8X22	4							
12	1	26306-080002	NUT, M8	2							
13	1	121850-77021	GASKET	1							
14	1	129915-77050	HEATER	1							
15	1	26106-080352	BOLT, M8X 35 PLATED	4							
16	1	129930-13201	GASKET, SILENCER	1							

Fig.6. CAMSHAFT & DRIVING GEAR

(A)=4TNV94L-NLANG
(B)=
(C)=

(D)=
(E)=
(F)=

零件No. 000Y00V8250-1
更新年月: 2005.03
REVISED: March, 2005

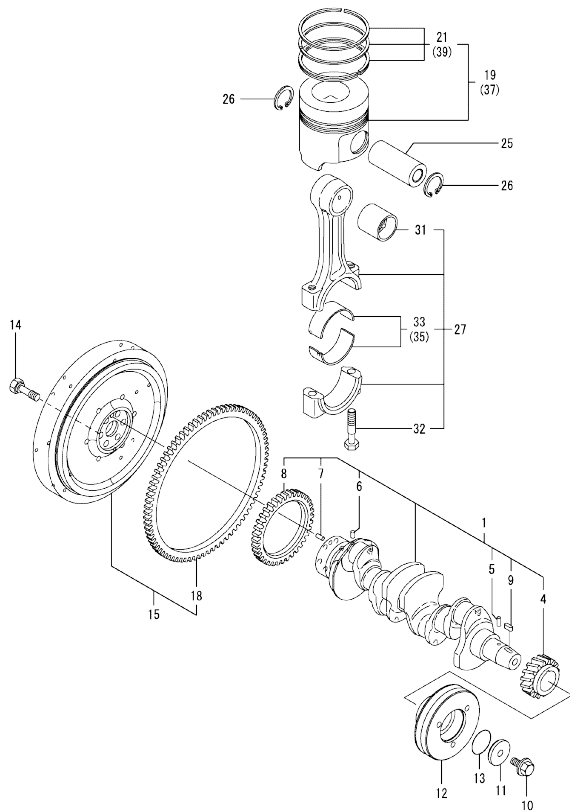


No.	Lev.	Parts No.	Description	Q'ty						I	R
				(A)	(B)	(C)	(D)	(E)	(F)		
1	1	129150-14200	TAPPET	8							
2	1	129907-14400	ROD, PUSH	8							
3	1	129907-14581	CAMSHAFT ASSY	1							
3-1	1	129908-14581	CAMSHAFT ASSY	1							N
		(A=EZZZZZ)									
4	2	129150-02450	BEARING, THRUST	1							
7	2	129900-14100	GEAR, CAMSHAFT	1							
8	2	22512-070140	KEY, 7X 14	1							
9	1	26106-080162	BOLT, M8X 16 PLATED	2							
10	1	123900-25060	SHAFT, IDLE GEAR	1							
11	1	129900-25100	GEAR ASSY, IDLE	1							
14	2	129150-25920	BUSH, IDLE GEAR	1							1
15	1	26106-080552	BOLT, M8X 55 PLATED	3							
16	1	129953-25300	BOLT	4							
17	1	123907-25909	GEAR, PUMP	1							
18	1	129980-26200	GEAR, PUMP	1							
19	1	158563-51150	FLANGE	1							
20	1	22217-180000	WASHER, SPRING 18	1							
21	1	26776-180002	NUT, LOCK M18	1							

Remarks
(1) REPAIR PART.

N:Old $\frac{100}{100}$ New, Q:Old $\frac{100}{100}$ New, R:Old $\frac{100}{100}$ New, S:Old $\frac{100}{100}$ New, W:Add, Z:Discontinued, F:Interchangeable by set, K:Qty Change
Copyright (C) YANMAR GLOBAL CS CO., LTD. All Rights Reserved.

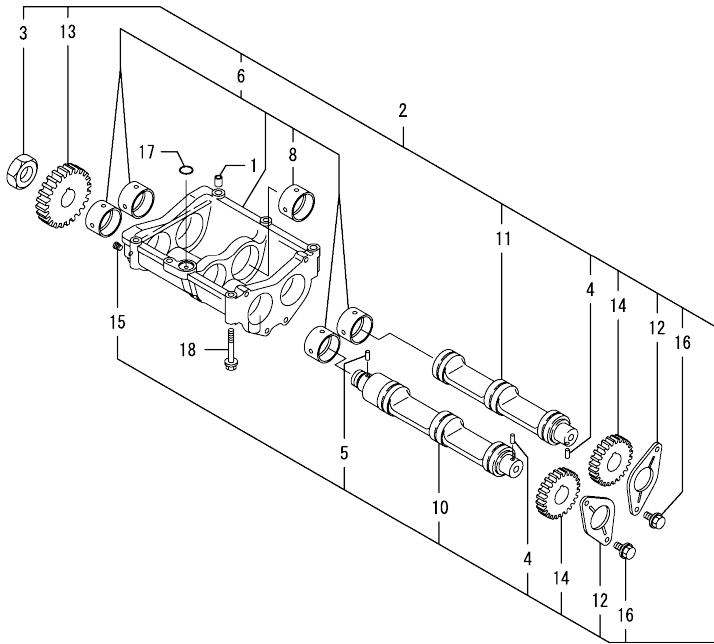
Fig.7. CRANKSHAFT & PISTON



Remarks
 (1) Repair part.
 (2) Under-sized (U.S.=0.25) part.
 (3) Over-sized (O.S.=0.25) part.
 (4) Ref. No.19 is interchangeable with a set of Ref. No.19-1 and Fig.1 Ref. No.30-2.

No.	Lev.	Parts No.	Description	Q'ty						I	R
				(A)	(B)	(C)	(D)	(E)	(F)		
1	1	129956-21000	CRANKSHAFT ASSY	1							
4	2	129900-21200	GEAR, CRANKSHAFT	1							
5	2	121850-21290	PIN	1							
6	2	121850-21290	PIN	1							
7	2	121850-21920	PIN, M10X22	1							
8	2	129956-28321	GEAR, BALANCER	1							
9	2	22512-070140	KEY, 7X 14	1							
10	1	129916-21610	BOLT	1							
11	1	129960-21640	WASHER	1							
12	1	129963-21650	V-PULLEY, 130	1							
13	1	24341-000530	O-RING, 1AS53.0	1							
14	1	121850-21130	BOLT, FLYWHEEL	6							
15	1	129963-21590	FLYWHEEL ASSY	1							
18	2	129900-21600	GEAR, RING	1							
19	1	129962-22080	PISTON ASSY	4							
19-1	1	129962-22090	PISTON ASSY	4						F	4
		(A=2009.12)									
21	2	129906-22050	RING SET, PISTON	4							
25	1	120130-22301	PIN, PISTON	4							
26	1	22252-000300	RING, 30	8							
27	1	129900-23000	ROD ASSY, CONNECTING	4							
31	2	129900-23910	BEARING, PISTON PIN	4							1
32	2	129900-23200	BOLT, CONNECTING ROD	8							
33	2	129900-23600	BEARING, CRANK PIN	4							
35	1	129900-23610	BEARING, 0.25 US	4							2
37	1	729906-22900	PISTON ASSY, 0.25 OS	4							3
37-1	1	129906-22900	PISTON ASSY, 0.25 OS	4							R 3
		(A=EXXXXX)									
37-2	1	129906-22910	PISTON ASSY, 0.25 OS	4							F 3
		(A=2009.12)									
39	2	729906-22950	RING SET, 0.25 OS	4							3
39-1	2	129916-22950	RING SET, 0.25 OS	4							R 3
		(A=EXXXXX)									

Fig.8. BALANCER

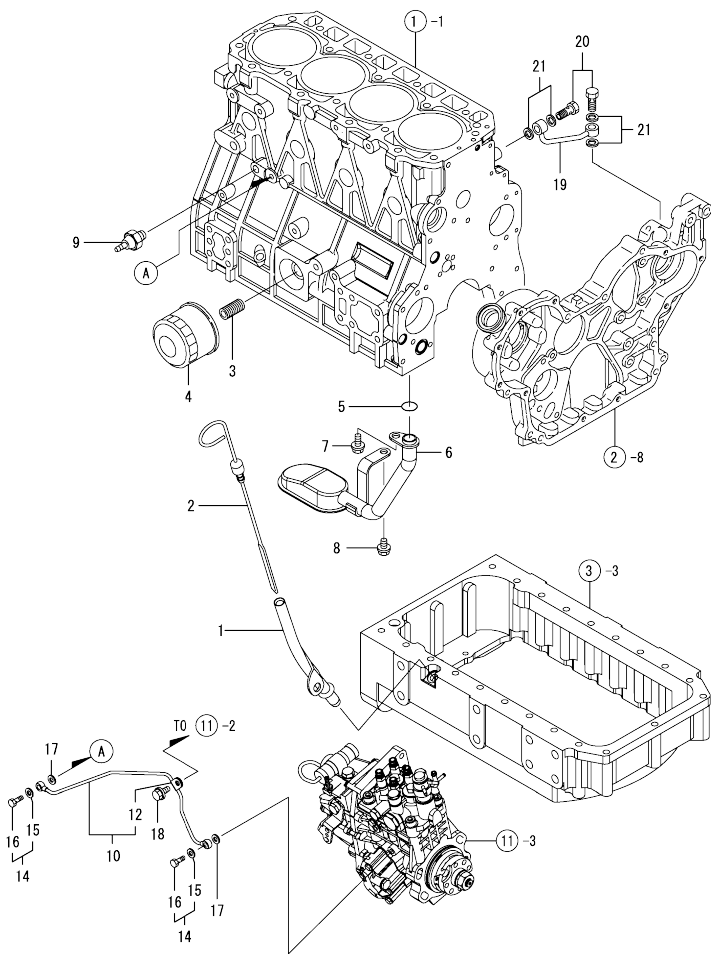


(A)=4TNV94L-NLANG
(B)=
(C)=

(D)=
(E)=
(F)=

No.	Lev.	Parts No.	Description	Q'ty						I	R
				(A)	(B)	(C)	(D)	(E)	(F)		
1	1	129795-01960	PIPE, KNOCK	2							
2	1	129956-28009	BALANCER ASSY	1							
3	2	128610-14120	NUT, END	1							
4	2	121850-21290	PIN	2							
5	2	121850-21290	PIN	1							
6	2	129956-28019	CASE ASSY, BALANCER	1							
8	3	129956-28200	BUSH, BALANCER	2							
10	2	129956-28101	SHAFT, BALANCER	1							
11	2	129956-28111	SHAFT, BALANCER	1							
12	2	129956-28180	PLATE, THRUST	2							
13	2	129956-28332	GEAR, BALANCER	1							
14	2	129956-28341	GEAR, BALANCER	2							
15	2	23876-005000	PLUG, R005	1							
16	2	26106-080162	BOLT, M8X 16 PLATED	4							
17	1	24311-000200	O-RING, 1AP20.0	1							
18	1	26106-080602	BOLT, M8X 60 PLATED	6							

Fig.9. LUB. OIL SYSTEM

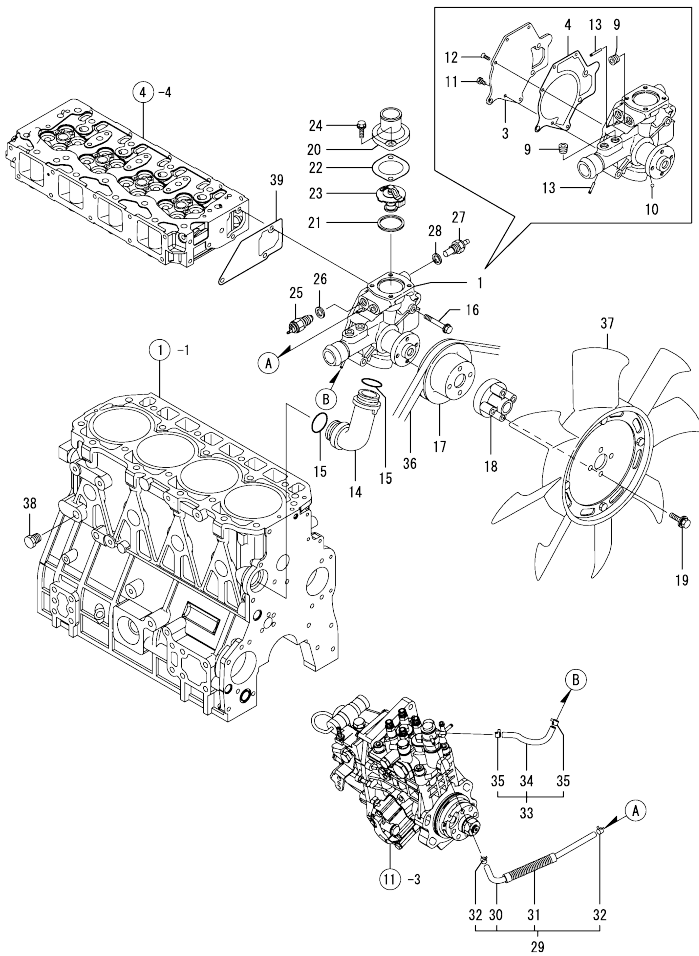


(A)=4TNV94L-NLANG
(B)=
(C)=

(D)=
(E)=
(F)=

No.	Lev.	Parts No.	Description	Q'ty						I	R
				(A)	(B)	(C)	(D)	(E)	(F)		
1	1	119860-34810	GUIDE, DIPSTICK	1							
2	1	129956-34820	DIPSTICK, OIL	1							
3	1	119000-35140	BOLT, FILTER	1							
4	1	129150-35151	FILTER, D80XL80	1							
5	1	129900-32030	O-RING, P20	1							
6	1	129956-35100	PIPE ASSY, OIL INLET	1							
7	1	26106-080142	BOLT, M8X 14 PLATED	1							
8	1	26106-080202	BOLT, M8X 20 PLATED	1							
9	1	114250-39450	SWITCH, 0.5KG	1							
10	1	129907-39060	PIPE ASSY, OIL	1							
12	2	123907-39500	RETAINER	1							
14	1	129005-59830	BOLT ASSY, JOINT M8	2							
15	2	22190-080002	WASHER, SEAL 6	2							
16	2	23857-030000	BOLT, JOINT 3	2							
17	1	22190-080002	WASHER, SEAL 6	2							
18	1	26106-080122	BOLT, M8X 12 PLATED	1							
19	1	129930-39050	PIPE, OIL	1							
20	1	105010-39140	BOLT, PIPE JOINT	2							
21	1	22190-080002	WASHER, SEAL 6	4							

Fig.10. COOLING WATER SYSTEM



(A)=4TNV94L-NLANG
(B)=
(C)=

(D)=
(E)=
(F)=

No.	Lev.	Parts No.	Description	Q'ty						I	R
				(A)	(B)	(C)	(D)	(E)	(F)		
1	1	129907-42050	PUMP ASSY, WATER	1							
3	2	129900-42161	COVER	1							
4	2	129900-42170	GASKET	1							
9	2	23876-030000	PLUG, R03	3							
10	2	24190-080001	BALL, STEEL 1/4	1							
11	2	26116-060162	BOLT, M6X 16 PLATED	2							
12	2	26577-060142	SCREW M 6X 14	3							
13	2	119802-49113	JOINT, PIPE	2							
14	1	129900-42070	PIPE, WATER	1							
15	1	129900-42140	O-RING, P36	2							
16	1	26106-080552	BOLT, M8X 55 PLATED	3							
17	1	129900-42461	V-PULLEY	1							
18	1	119141-44760	SPACER, FAN	1							
19	1	26106-080552	BOLT, M8X 55 PLATED	4							
20	1	129981-49530	COVER, THERMOSTAT	1							
21	1	121850-49550	GASKET, THERMOSTAT	1							
22	1	129900-49560	GASKET	1							
23	1	121850-49800	THERMOSTAT, 82	1							
24	1	26106-080252	BOLT, M8X 25 PLATED	2							
25	1	121250-44901	SWITCH, 110	1							
26	1	124465-44950	GASKET, 16	1							
27	1	124250-49351	SENSOR	1							
28	1	129150-49360	GASKET	1							
29	1	129907-49610	HOSE ASSY, WATER	1							
30	2	129907-49710	PIPE ASSY, WATER	1							
31	2	129907-49750	TUBE, CORRUGATED	1							
32	2	124722-59050	CLIP, HOSE 9	2							
33	1	129962-49620	HOSE ASSY, WATER	1							
34	2	129962-49720	PIPE ASSY, WATER	1							
35	2	124722-59050	CLIP, HOSE 9	2							
36	1	129904-42290	V-BELT, 45	1							
37	1	129920-44740	FAN, COOLING	1							
38	1	171056-49120	PLUG, DRAIN	1							
39	1	129900-42061	GASKET, WATER PUMP	1							

N:Old $\frac{New}{Old}$ New, Q:Old $\frac{New}{Old}$ New, R:Old $\frac{New}{Old}$ New, S:Old $\frac{New}{Old}$ New, W:Add, Z:Discontinued, F:Interchangeable by set, K:Q'ty Change
Copyright (C) YANMAR GLOBAL CS CO., LTD. All Rights Reserved.

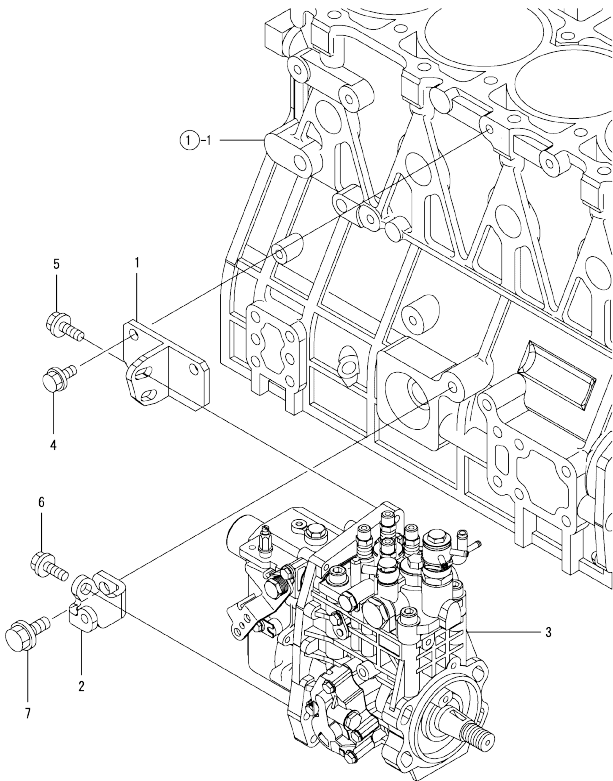
Fig.11. FUEL INJECTION PUMP

(A)=4TNV94L-NLANG
(B)=
(C)=

(D)=
(E)=
(F)=

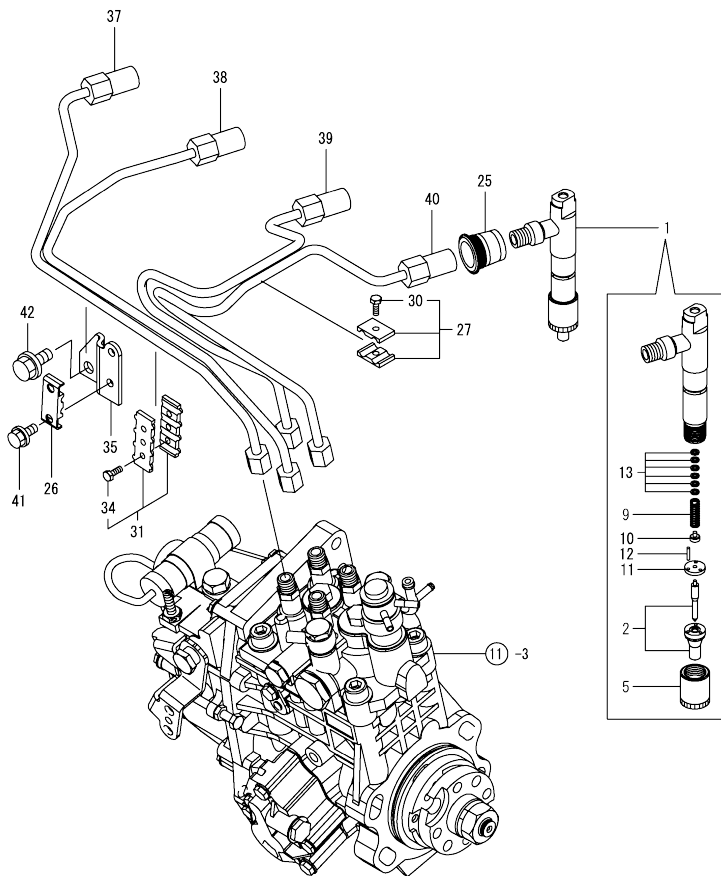
图号: 000100V8250-1
变更日期: 2005.03
REVISION: March, 2005

No.	Lev.	Parts No.	Description	Q'ty						I	R
				(A)	(B)	(C)	(D)	(E)	(F)		
1	1	129907-01959	RETAINER	1							
2	1	129907-01960	RETAINER	1							
3	1	729962-51300	PUMP ASSY, INJECTION	1							1
4	2	26106-080162	BOLT, M8X 16 PLATED	2							
5	2	26106-080222	BOLT, M8X 22 PLATED	2							
6	2	26106-080222	BOLT, M8X 22 PLATED	1							
7	2	26106-100202	BOLT, M10X 20 PLATED	1							



Remarks
(1) REFER TO FI.17 & 18 FOR INNER PARTS.

Fig.12. FUEL INJECTION VALVE

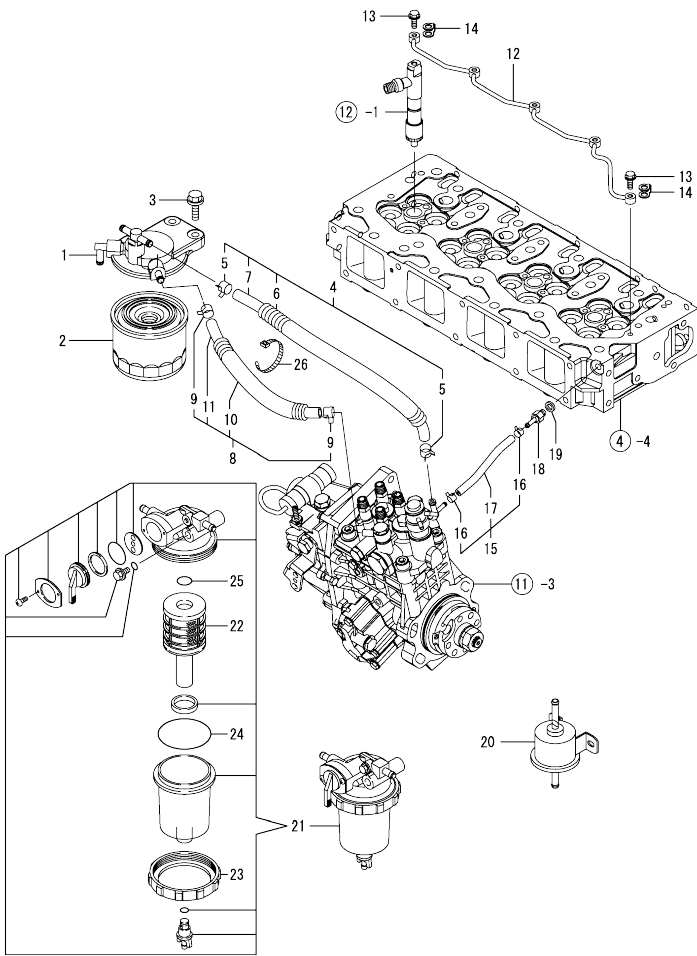


(A)=4TNV94L-NLANG
(B)=
(C)=

(D)=
(E)=
(F)=

No.	Lev.	Parts No.	Description	Q'ty						I	R
				(A)	(B)	(C)	(D)	(E)	(F)		
1	1	729906-53100	VALVE ASSY,INJECTION	4							
2	2	129906-53000	VALVE ASSY,INJECTION	4							
5	2	114250-53080	NUT, NOZZLE D16.95	4							
9	2	114250-53120	SPRING, NOZZLE	4							
10	2	114250-53130	SEAT, SPRING	4							
11	2	114250-53140	PLATE	4							
12	2	114250-53210	PIN	8							
13	2	114250-53400	SHIM SET	4							
25	1	123907-11601	SEAL	4							
26	1	122780-59100	RETAINER	2							
27	1	119305-59120	RETAINER, PIPE	1							
30	2	129150-59131	BOLT, M4X14	1							
31	1	129550-59120	RETAINER, PIPE	1							
34	2	129150-59131	BOLT, M4X14	2							
35	1	129907-59710	SUPPORT	1							
37	1	129907-59810	PIPE ASSY, INJECTION	1							
38	1	129907-59820	PIPE ASSY, INJECTION	1							
39	1	129907-59830	PIPE ASSY, INJECTION	1							
40	1	129907-59840	PIPE ASSY, INJECTION	1							
41	1	26106-060162	BOLT, M6X 16 PLATED	2							
42	1	26106-080182	BOLT, M8X 18 PLATED	1							

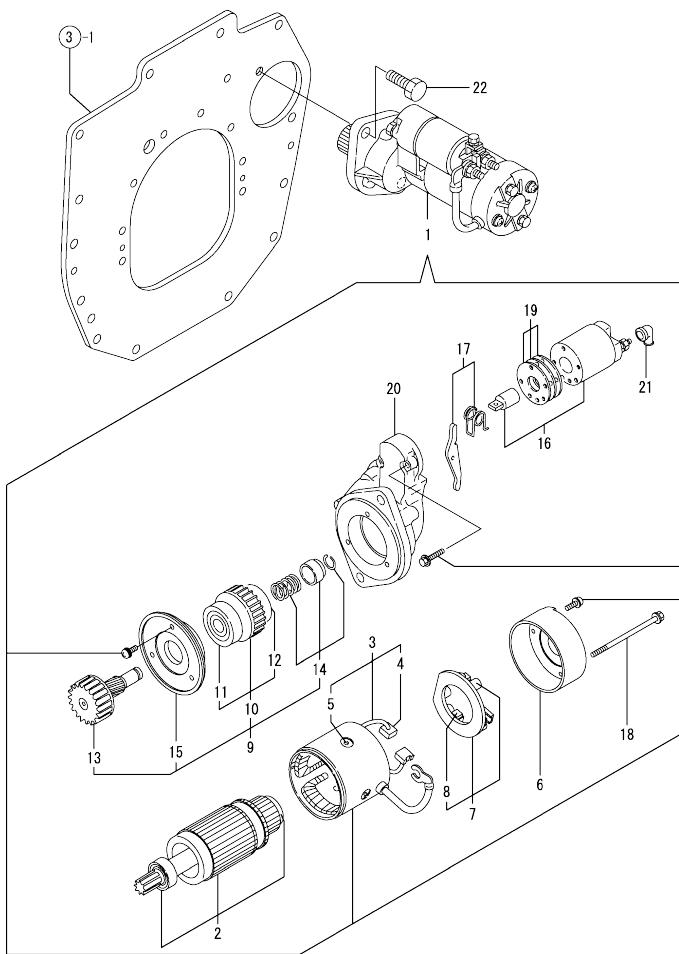
Fig.13. FUEL LINE



No.	Lev.	Parts No.	Description	Q'ty					
				(A)	(B)	(C)	(D)	(E)	(F)
1	1	129004-55610	BRACKET, FILTER	1					
2	1	119802-55800	FILTER, FUEL	1					
3	1	26106-080302	BOLT, M8X 30 PLATED	2					
4	1	129457-59010	PIPE ASSY, FUEL	1					
5	2	124766-59050	CLIP, HOSE 12	2					
6	2	129957-59120	TUBE, CORRUGATED	1					
7	2	105025-59750	PIPE, FUEL	1					
8	1	129981-59010	PIPE ASSY, FUEL	1					
9	2	124766-59050	CLIP, HOSE 12	2					
10	2	129950-59221	TUBE, CORRUGATED	1					
11	2	129980-59510	PIPE, FUEL	1					
12	1	129907-59140	PIPE ASSY, RETURN	1					
13	1	123907-59540	BOLT, PIPE JOINT M6	5					
14	1	123907-59550	GASKET	5					
15	1	129486-59551	PIPE ASSY, RETURN	1					
16	2	124722-59050	CLIP, HOSE 9	2					
17	2	129486-59510	PIPE, FUEL RETURN	1					
18	1	123907-59560	JOINT	1					
19	1	22190-080002	WASHER, SEAL 6	1					
20	1	119225-52102	PUMP ASSY, FUEL FEED	1					
21	1	119802-55700	SEPARATOR ASSY	1					
22	2	119802-55710	ELEMENT	1					
23	2	129100-55690	RING, RETAINING	1					
24	2	24321-000650	O-RING, 1AG65.0	1					
25	2	24311-000160	O-RING, 1AP16.0	1					
26	1	121750-59890	BAND, 140	1					

N:Old $\frac{100}{100}$ New, Q:Old $\frac{100}{100}$ New, R:Old $\frac{100}{100}$ New, S:Old $\frac{100}{100}$ New, W:Add, Z:Discontinued, F:Interchangeable by set, K:Q'ty Change
 Copyright (C) YANMAR GLOBAL CS CO., LTD. All Rights Reserved.

Fig.14. STARTING MOTOR

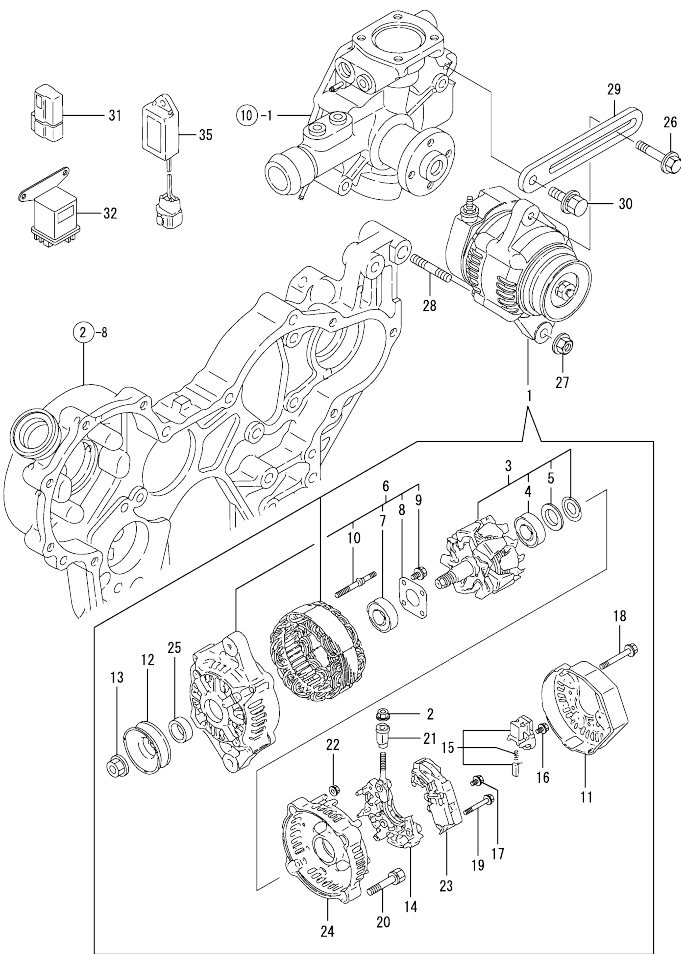


(A)=4TNV94L-NLANG
(B)=
(C)=

(D)=
(E)=
(F)=

No.	Lev.	Parts No.	Description	Q'ty						I	R
				(A)	(B)	(C)	(D)	(E)	(F)		
1	1	129900-77010	STARTER(2.3KW)	1							
2	2	129900-77400	ARMATURE ASSY	1							
3	2	129900-77440	COIL ASSY, FIELD	1							
4	3	129900-77450	BRUSH (+)	2							
5	3	171008-77450	SCREW	4							
6	2	129900-77460	COVER, REAR	1							
7	2	129900-77480	HOLDER ASSY, BRASH	1							
8	3	129900-77500	BRASH (-)	2							
9	2	129900-77510	PINION ASSY	1							
10	3	129900-77520	CLUTCH ASSY	1							
11	4	171008-77730	BALL BEARING (3)	1							
12	4	171008-77740	BALL BEARING (4)	1							
13	3	129900-77540	SHAFT, PINION	1							
14	3	129900-77550	STOPPER SET	1							
15	3	129900-77610	RETAINER, BEARING	1							
16	2	129900-77591	SWITCH ASSY,MAGNETIC	1							
17	2	129900-77620	SHIFT LEVER SET	1							
18	2	129900-77640	BOLT, THROUGH	2							
19	2	129900-77650	COVER ASSY, DUST	1							
20	2	129900-77710	HOUSING, GEARS	1							
21	2	171008-77750	COVER, M TERMINAL	1							
22	1	26116-120252	BOLT, M12X 25 PLATED	2							

Fig.15. GENERATOR

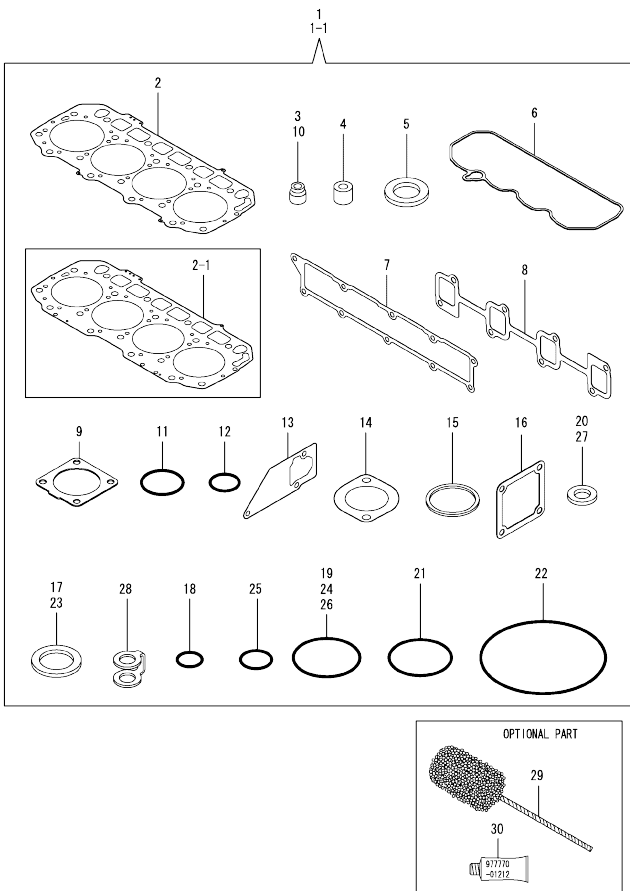


(A)=4TNV94L-NLANG
(B)=
(C)=

(D)=
(E)=
(F)=

No.	Lev.	Parts No.	Description	Qty						I	R
				(A)	(B)	(C)	(D)	(E)	(F)		
1	1	119626-77210	ALTERNATOR, 12V-55A	1							
2	2	X9490561001	NUT	1							
3	2	129052-77380	ROTOR ASSY	1							
4	3	125301-79240	BALL BEARING	1							
5	3	119620-79250	COVER, BEARING	1							
6	2	129052-77422	FRAME ASSY	1							
7	3	119620-79200	BALL BEARING	1							
8	3	119620-79210	PLATE	1							
9	3	119620-79220	SCREW	4							
10	3	119620-79230	BOLT, STUD	2							
11	2	128401-77440	FRAME	1							
12	2	119620-77461	PULLEY	1							
13	2	119620-77471	NUT	1							
14	2	129052-79260	HOLDER	1							
15	2	129052-79270	HOLDER, BRUSH	1							
16	2	119620-79290	SCREW	6							
17	2	119620-79300	SCREW	1							
18	2	119620-79310	BOLT	3							
19	2	119620-79320	SCREW WWASHER	2							
20	2	119620-79330	BOLT	2							
21	2	119620-79340	INSULATION BUSH	1							
22	2	119620-79350	NUT	2							
23	2	129423-77710	REGULATOR ASSY	1							
24	2	119626-79410	COVER	1							
24-1	2	119626-77450	COVER, END, RR	1							N
(A=FROM 1ST)											
25	2	119620-77490	COLLAR	1							
26	1	119810-77340	BOLT, ADJUSTER	1							
27	1	26306-100002	NUT, M10	1							
28	1	129795-01900	STUD	1							
29	1	129900-77330	ADJUSTER	1							
30	1	26106-080202	BOLT, M8X 20 PLATED	1							
31	1	119643-66900	DIODE	1							
32	1	119650-77910	RELAY ASSY, GLOW	1							W
(A=EXXX)											
35	1	129211-77920	TIMER	1							W
(A=EXXX)											

Fig.16. GASKET SET



(A)=4TNV94L-NLANG
(B)=
(C)=

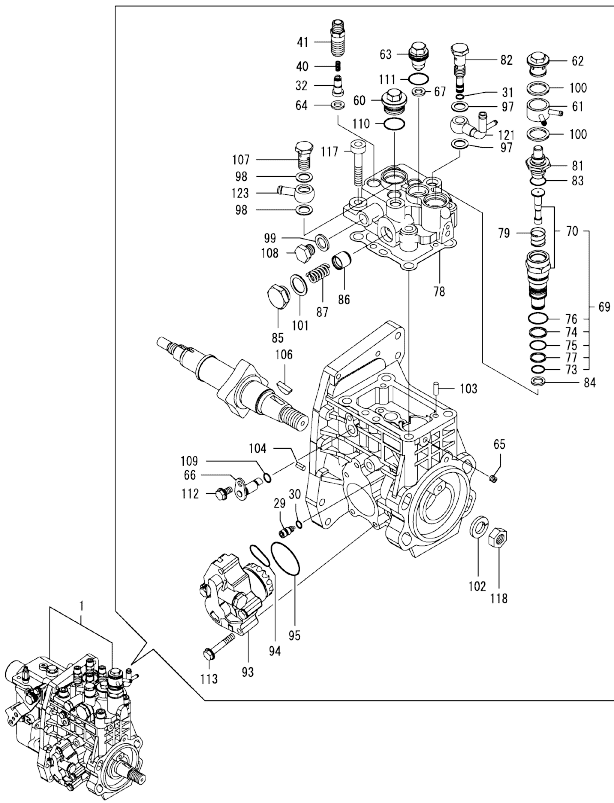
(D)=
(E)=
(F)=

No.	Lev.	Parts No.	Description	Qty						I	R	
				(A)	(B)	(C)	(D)	(E)	(F)			
1	1	729906-92610	GASKET SET	1							1	
1-1	1	129962-92610	GASKET SET	1							S	1
		(A=2009.12)										
2	2	129906-01339	GASKET, HEAD	1								
2-1	2	129906-01350	GASKET, HEAD	1							S	
		(A=2009.12)										
3	2	124160-11340	SEAL, VALVE STEM	8								
4	2	119802-11870	PROTECTOR, NOZZLE	4								
5	2	119625-11880	SEAT, NOZZLE	4								
6	2	129907-11310	GASKET, BONNET	1								
7	2	129907-12110	GASKET, MANIFOLD	1								
8	2	129900-13251	GASKET	1								
9	2	129930-13201	GASKET, SILENCER	1								
10	2	124950-11340	SEAL, VALVE STEM	8								
11	2	129900-32030	O-RING, P20	2								
12	2	129900-32040	O-RING, P14	1								
13	2	129900-42061	GASKET, WATER PUMP	1								
14	2	129900-49560	GASKET	1								
15	2	121850-49550	GASKET, THERMOSTAT	1								
16	2	121850-77021	GASKET	1								
17	2	124465-44950	GASKET, 16	1								
18	2	24311-000120	O-RING, 1AP12.0	8								
19	2	24311-000320	O-RING, 1AP32.0	2								
20	2	22190-080002	WASHER, SEAL 6	10								
21	2	24351-030750	O-RING, 1A3075	1								
22	2	24321-000850	O-RING, 1AG85.0	1								
23	2	22190-160002	WASHER, SEAL 16	2								
24	2	24341-000530	O-RING, 1AS53.0	1								
25	2	24311-000200	O-RING, 1AP20.0	1								
26	2	129900-42140	O-RING, P36	2								
27	2	129150-49360	GASKET	1								
28	2	123907-59550	GASKET	5								
29	1	129400-92440	HONE	1								1
30	1	977770-01212	GASKET, LIQUID	1								1

Remarks
(1) OPTIONAL PART.

Fig.17. FUEL INJECTION PUMP(INNER PARTS)

零件名 333700V9250-1
更新年月 2009.03
REVISED March, 2009



(A)=4TNV94L-NLANG
(B)=
(C)=

(D)=
(E)=
(F)=

No.	Lev.	Parts No.	Description	Qty						I	R	
				(A)	(B)	(C)	(D)	(E)	(F)			
1	1	729962-51300	PUMP ASSY, INJECTION	1							1	
29	2	158600-51270	STOPPER, TAPPET	1								
30	2	158563-51281	O-RING, 4D S6	1								
31	2	158563-51281	O-RING, 4D S6	1								
32	2	158560-51300	VALVE ASSY, DELIVERY	4								
40	2	158563-51330	SPRING, DELIVERY	4								
41	2	158560-51340	HOLDER, DELIVERY	4								
60	2	158601-51550	PLUG	1								
61	2	158553-51551	JOINT	1								
62	2	158601-51570	PLUG	1								
63	2	129906-51560	PLUG, BARREL	1								
64	2	158552-51570	GASKET	4								
65	2	158557-51570	PLUG	1								
66	2	158552-51580	LIFTER	1								
67	2	129906-51580	GASKET	1								
69	2	119802-51590	TIMER SET	1								
70	3	119802-51600	TIMER ASSY	1								
73	3	158553-51670	O-RING, 1011	1								
74	3	119802-51680	RING, BACK UP	1								
75	3	119802-51690	O-RING	1								
76	3	24356-010200	O-RING, 4D1020	1								
77	3	24372-000150	RING, BACK UP T2P15	1								
78	2	158560-51600	GASKET	1								
79	2	158553-51630	SPRING, TIMER	1								
81	2	158553-51640	ELEMENT	1								
82	2	158601-51650	JOINT, OVER FLOW	1								
83	2	158553-51660	O-RING, P14	1								
84	2	158553-51680	GASKET	1								
85	2	158601-51790	PLUG	1								
86	2	158601-51770	PISTON	1								
87	2	158552-51780	SPRING	1								
93	2	158552-52100	PUMP ASSY, FUEL FEED	1								
94	2	158552-52310	O-RING	1								
95	2	158552-52400	O-RING, 4E S42	1								
97	2	22190-120002	WASHER, SEAL 12	2								
98	2	22190-120002	WASHER, SEAL 12	2								
99	2	22190-120002	WASHER, SEAL 12	1								
100	2	22190-180002	WASHER, SEAL 18	2								
101	2	22190-180002	WASHER, SEAL 18	1								
102	2	22217-180000	WASHER, SPRING 18	1								
103	2	22312-050140	PIN, PARALLEL M5X14	2								
104	2	22351-050010	PIN, SPRING 5.0X10	2								
106	2	144626-51090	KEY, 5X19	1								
107	2	23857-060000	BOLT, JOINT 6	1								
108	2	23887-120002	PLUG, 12	1								
109	2	24311-000070	O-RING, 1AP7.0	1								
110	2	24356-010200	O-RING, 4D1020	1								
111	2	24356-020210	O-RING, 4D2021	1								
112	2	26106-060102	BOLT, M6X 10 PLATED	1								
113	2	26106-060352	BOLT, M6X 35 PLATED	4								
117	2	26450-100452	BOLT, M10X 45	4								

Remarks
(1) GOVERNOR ASSY(FIG.18) IS INCORPORATED IN THIS FOP.CMP (REF.NO.1).

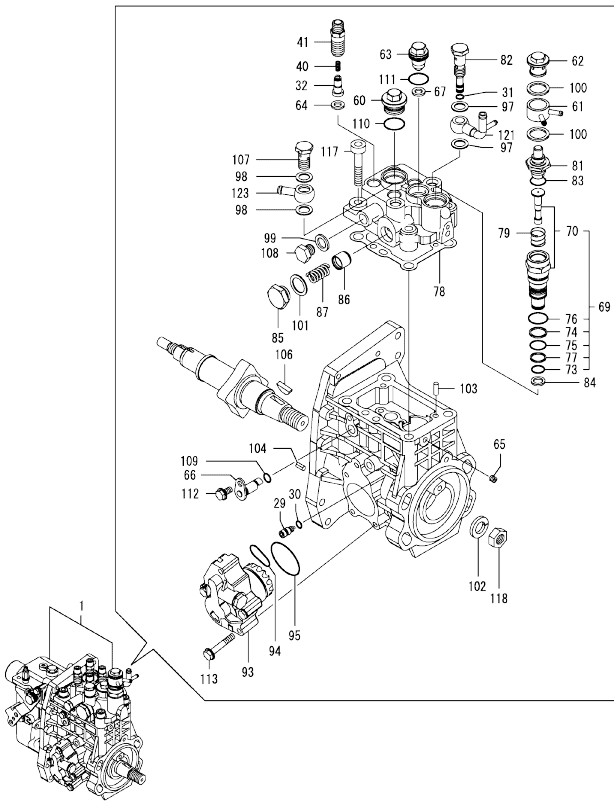
Fig.17. FUEL INJECTION PUMP(INNER PARTS)

(A)=4TNV94L-NLANG
(B)=
(C)=

(D)=
(E)=
(F)=

零件名 333Y00V9250-1
更新年月 2009.03
REVISED March, 2009

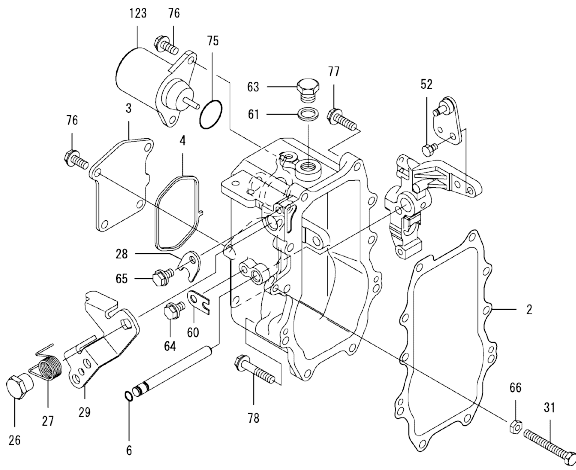
No.	Lev.	Parts No.	Description	Q'ty					
				(A)	(B)	(C)	(D)	(E)	(F)
118	2	26776-180002	NUT, LOCK M18	1					
121	2	158552-51670	JOINT, OVER FLOW	1					
123	2	129916-59020	JOINT, PIPE 12	1					



Remarks
(1) GOVERNOR ASSY(FIG.18) IS
INCORPORATED IN THIS FOP.CMP
(REF.NO.1).

Fig.18. GOVERNOR (INNER PARTS)

零件No. 333700V8250-1
 更新年月: 2009.03
 REVISED March, 2009



(A)=4TNV94L-NLANG
 (B)=
 (C)=

(D)=
 (E)=
 (F)=

No.	Lev.	Parts No.	Description	Q'ty						I	R
				(A)	(B)	(C)	(D)	(E)	(F)		
2	2	158560-61050	GASKET	1							
3	2	158560-61061	COVER, GOVERNOR CASE	1							
4	2	158560-61071	GASKET	1							
6	2	129155-51280	O-RING, S6	1							
26	2	129255-61410	NUT, LOCK	1							
27	2	119807-61420	SPRING, RETURN	1							
28	2	158560-61430	RETAINER, SHAFT	1							
29	2	158560-61441	LEVER, REGULATOR	1							
31	2	129155-61460	BOLT, IDLE	1							
52	2	26116-060102	BOLT, M6X 10 PLATED	1							
60	2	119660-61901	RETAINER, SHAFT	1							
61	2	22190-120002	WASHER, SEAL 12	1							
63	2	23887-120002	PLUG, 12	1							
64	2	26106-060102	BOLT, M6X 10 PLATED	1							
65	2	26106-060102	BOLT, M6X 10 PLATED	1							
66	2	26756-060002	NUT, LOCK M6	1							
75	2	24341-000280	O-RING, 1AS28.0	1							
76	2	26106-060142	BOLT, M6X 14 PLATED	6							
77	2	26106-060252	BOLT, M6X 25 PLATED	8							
78	2	26106-060402	BOLT, M6X 40 PLATED	2							
123	2	119233-77932	SOLENOID, STOP	1							

Remarks
 * THIS FIGURE(GOVERNOR ASSY)IS
 INCORPORATED IN THE FUEL INJECTION
 PUMP ASSY(FIG.17).

Parts No. Index

Parts No.	Fig. No.	Ref. No.	Parts No.	Fig. No.	Ref. No.	Parts No.	Fig. No.	Ref. No.	Parts No.	Fig. No.	Ref. No.
105010-39140	9	20	119802-55700	13	21	124722-59050	10	35	129900-01740	2	6
105025-59750	13	7	119802-55710	13	22		13	16	129900-01780	2	4
105425-01690	3	5	119802-55800	13	2	124766-59050	13	5	129900-02020	1	8
114250-39450	9	9	119807-61420	18	27			9	129900-02340	1	34
114250-53080	12	5	119810-77340	15	26	124950-11340	4	18	129900-02410	1	11
114250-53120	12	9	119860-34810	9	1		16	10	129900-02800	1	17
114250-53130	12	10	120130-22301	7	25	125301-79240	15	4	129900-02930	1	26
114250-53140	12	11	121250-44901	10	25	128401-77440	15	11	129900-02940	1	37
114250-53210	12	12	121750-59890	13	26	128610-14120	8	3	129900-07900	4	1
114250-53400	12	13	121850-01900	2	10	129001-91810	2	27	129900-13209	5	6
119000-35140	9	3	121850-21130	7	14			28	129900-13251	5	8
119131-18320	5	11	121850-21290	7	5	129001-91841	3	9		16	8
119141-44760	10	18			6	129001-91870	3	10	129900-14100	6	7
119225-52102	13	20		8	4	129004-55610	13	1	129900-14140	2	23
119233-77932	18	123			5	129005-59830	9	14	129900-21200	7	4
119305-59120	12	27	121850-21920	7	7	129052-77380	15	3	129900-21600	7	18
119309-01810	1	33	121850-49550	10	21	129052-77422	15	6	129900-23000	7	27
119593-11300	4	28		16	15	129052-79260	15	14	129900-23200	7	32
119620-11180	4	16	121850-49800	10	23	129052-79270	15	15	129900-23600	7	33
119620-77461	15	12	121850-77021	5	13	129100-01580	1	31	129900-23610	7	35
119620-77471	15	13		16	16			32	129900-23910	7	31
119620-77490	15	25	122780-59100	12	26		2	5	129900-25100	6	11
119620-79200	15	7	123900-13610	5	9	129100-55690	13	23	129900-26250	2	24
119620-79210	15	8	123900-13630	5	10	129150-02450	6	4	129900-32030	2	25
119620-79220	15	9	123900-25060	6	10	129150-11230	4	36		9	5
119620-79230	15	10	123907-03100	4	55			40		16	11
119620-79250	15	5	123907-03110	4	56	129150-11750	4	21	129900-32040	2	26
119620-79290	15	16	123907-03120	4	57			37		16	12
119620-79300	15	17	123907-03140	4	58			41	129900-42061	10	39
119620-79310	15	18	123907-11280	4	33	129150-14200	6	1		16	13
119620-79320	15	19	123907-11550	4	3	129150-25920	6	14	129900-42070	10	14
119620-79330	15	20	123907-11601	12	25	129150-35151	9	4	129900-42140	10	15
119620-79340	15	21	123907-11820	4	9	129150-49360	10	28		16	26
119620-79350	15	22	123907-11830	4	22		16	27	129900-42161	10	3
119625-11880	4	26	123907-25909	6	17	129150-59131	12	30	129900-42170	10	4
	16	5	123907-39500	9	12			34	129900-42461	10	17
119626-77210	15	1	123907-59540	13	13	129155-51280	18	6	129900-49560	10	22
119626-77450	15	24	123907-59550	13	14	129155-61460	18	31		16	14
119626-79410	15	24		16	28	129211-77920	15	35	129900-77010	14	1
119640-61400	4	62	123907-59560	13	18	129255-61410	18	26	129900-77330	15	29
119643-66900	15	31	124160-01751	2	37	129400-92440	16	29	129900-77400	14	2
119650-77910	15	32		4	50	129423-77710	15	23	129900-77440	14	3
119660-61901	18	60	124160-11340	4	17	129457-59010	13	4	129900-77450	14	4
119802-11870	4	25		16	3	129486-59510	13	17	129900-77460	14	6
	16	4	124160-11360	4	65	129486-59551	13	15	129900-77480	14	7
119802-49113	10	13	124250-49351	10	27	129550-59120	12	31	129900-77500	14	8
119802-51590	17	69	124411-01780	3	15	129795-01900	15	28	129900-77510	14	9
119802-51600	17	70	124465-44950	10	26	129795-01960	8	1	129900-77520	14	10
119802-51680	17	74		16	17	129900-01200	1	29	129900-77540	14	13
119802-51690	17	75	124722-59050	10	32	129900-01250	1	5	129900-77550	14	14

Parts No. Index

Parts No.	Fig. No.	Ref. No.
129900-77591	14	16
129900-77610	14	15
129900-77620	14	17
129900-77640	14	18
129900-77650	14	19
129900-77710	14	20
129904-42290	10	36
129906-01339	1	30
	16	2
129906-01340	1	30 -1
129906-01350	1	30 -2
	16	2 -1
129906-22050	7	21
129906-22900	7	37 -1
129906-22910	7	37 -2
129906-51560	17	63
129906-51580	17	67
129906-53000	12	2
129907-01959	11	1
129907-01960	11	2
129907-03010	4	52
129907-03060	4	53
129907-03070	4	54
129907-11100	4	13
129907-11110	4	14
129907-11120	4	15
129907-11250	4	30
129907-11260	4	31
129907-11270	4	32
129907-11310	4	61
	16	6
129907-11320	4	51
129907-11340	4	29
129907-11510	4	19
129907-11650	4	34
129907-11660	4	38
129907-11700	4	4
129907-11900	4	42
129907-12100	5	1
129907-12110	5	3
	16	7
129907-14400	6	2
129907-14581	6	3
129907-39060	9	10
129907-42050	10	1
129907-49610	10	29
129907-49710	10	30
129907-49750	10	31
129907-59140	13	12
129907-59710	12	35

Parts No.	Fig. No.	Ref. No.
129907-59810	12	37
129907-59820	12	38
129907-59830	12	39
129907-59840	12	40
129908-11160	4	8
129908-14581	6	3 -1
129908-32009	2	11
129915-77050	5	14
129916-21610	7	10
129916-22950	7	39 -1
129916-59020	17	123
129920-44740	10	37
129930-01870	2	39
129930-13201	5	16
	16	9
129930-39050	9	19
129950-59221	13	10
129953-25300	6	16
129956-01640	3	13
129956-01710	1	6
129956-01730	3	3
129956-01760	3	4
129956-21000	7	1
129956-26210	3	8
129956-28009	8	2
129956-28019	8	6
129956-28101	8	10
129956-28111	8	11
129956-28180	8	12
129956-28200	8	8
129956-28321	7	8
129956-28332	8	13
129956-28341	8	14
129956-34821	9	2
129956-35100	9	6
129957-59120	13	6
129960-21640	7	11
129962-22080	7	19
129962-22090	7	19 -1
129962-49620	10	33
129962-49720	10	34
129962-92610	16	1 -1
129963-01500	2	8
129963-01600	3	1
129963-01800	2	7
129963-21590	7	15
129963-21650	7	12
129980-26200	6	18
129980-59510	13	11
129981-49530	10	20

Parts No.	Fig. No.	Ref. No.
129981-59010	13	8
144626-51090	17	106
158552-51570	17	64
158552-51580	17	66
158552-51670	17	121
158552-51780	17	87
158552-52100	17	93
158552-52310	17	94
158552-52400	17	95
158553-51551	17	61
158553-51630	17	79
158553-51640	17	81
158553-51660	17	83
158553-51670	17	73
158553-51680	17	84
158557-51570	17	65
158560-51300	17	32
158560-51340	17	41
158560-51600	17	78
158560-61050	18	2
158560-61061	18	3
158560-61071	18	4
158560-61430	18	28
158560-61441	18	29
158563-51150	6	19
158563-51281	17	30
		31
158563-51330	17	40
158600-51270	17	29
158601-51550	17	60
158601-51570	17	62
158601-51650	17	82
158601-51770	17	86
158601-51790	17	85
171008-77450	14	5
171008-77730	14	11
171008-77740	14	12
171008-77750	14	21
171051-01921	1	7
171056-49120	10	38
22190-080002	3	11
	9	15
		17
		21
	13	19
	16	20
22190-120002	17	97
		98
		99
	18	61

Parts No.	Fig. No.	Ref. No.
22190-160002	3	7
	16	23
22190-180002	17	100
		101
22217-180000	6	20
	17	102
22252-000300	7	26
22312-050140	17	103
22351-050010	17	104
22351-060012	1	12
22512-070140	6	8
	7	9
22857-500100	4	63
		64
23857-030000	9	16
23857-060000	17	107
23876-005000	8	15
23876-020000	4	10
23876-030000	1	13
		14
		15
	4	11
	10	9
23887-120002	17	108
	18	63
24190-080001	10	10
24311-000070	17	109
24311-000120	4	27
		66
	16	18
24311-000160	13	25
24311-000200	8	17
	16	25
24311-000320	2	38
	4	67
	16	19
24321-000650	13	24
24321-000850	2	40
	16	22
24341-000280	18	75
24341-000530	7	13
	16	24
24351-030750	2	29
	16	21
24356-010200	17	76
		110
24356-020210	17	111
24372-000150	17	77
26106-060102	17	112
	18	64

Parts No. Index

Parts No.	Fig. No.	Ref. No.
26106-060102	18	65
26106-060142	18	76
26106-060162	12	41
26106-060252	18	77
26106-060352	17	113
26106-060402	18	78
26106-080122	9	18
26106-080142	4	2
	9	7
26106-080162	2	30
		31
	6	9
	8	16
	11	4
26106-080182	12	42
26106-080202	2	32
	9	8
	15	30
26106-080222	11	5
		6
26106-080252	3	12
	10	24
26106-080302	3	16
	13	3
26106-080352	5	15
26106-080402	2	33
		34
	4	44
26106-080452	2	35
26106-080552	5	4
	6	15
	10	16
		19
26106-080602	4	45
		46
	8	18
26106-080652	4	47
26106-080752	4	48
26106-080852	5	5
26106-100202	2	41
	11	7
26116-060102	18	52
26116-060162	10	11
26116-100202	3	2
26116-120252	14	22
26226-080222	4	43
26306-080002	4	49
	5	12
26306-100002	2	36
	15	27

Parts No.	Fig. No.	Ref. No.
26450-100452	17	117
26577-060142	10	12
26756-060002	18	66
26776-180002	6	21
	17	118
27241-300000	1	16
27241-400000	4	12
27310-070001	4	23
729906-22900	7	37
729906-22950	7	39
729906-53100	12	1
729906-92610	16	1
729907-01540	2	1
729962-01560	1	1
729962-51300	11	3
	17	1
977770-01212	2	42
	3	17
	16	30
X9490561001	15	2

Parts No.	Fig. No.	Ref. No.
-----------	----------	----------

Parts No.	Fig. No.	Ref. No.
-----------	----------	----------