

OCR10-M62600EN

PREFACE

- 1.This Parts Catalog carries all parts incorporated in YANMAR Model 4TNV94L-NU2 engine manufactured since July, 2005.
- 2.Each illustration corresponds to the parts list on the following page.
- 3.When ordering parts,clearly write down the engine model and serial number,as well as the name and number of each part in your order sheet. This will help insure reliable delivery of the parts you have ordered.

Directions for the Parts Catalog.

1. The parts stipulated in this Parts Catalog are not necessarily standard equipped parts.
2. Parts may change without prior notice.
3. The following is an example of the Parts Catalog format.

REF.	LEV.	PARTS NO.	DESCRIPTION	Q'TY						I	R
				(A)	(B)	(C)	(D)	(E)	(F)		
1	1	729595-51390	FUEL INJECTION PUMP	1	1	1	1	1			1
1-1	1	729595-51391	FUEL INJECTION PUMP	1	1	1	1	1		N	1
		(A=E00185) (B=E00200)									
3	2	26022-060162	SCREW M 6X 16	9	9	9	9	9			
3-1	2	26022-060162	SCREW M 6X 16	4	4	4	4	4		K	
		(A=E00156) (B=E00156) (C=E00156) (D=E00156) (E=E00156)									
4	2	129470-51040	CAMSHAFT	1	1	1	1	1			
5	2	122710-51050	BEARING, ROLLER	2	2	2	2	2			
6	2	129470-51060	RETAINER	1	1	1	1	1			

Remarks
(1) BOOST COMPEMSATOR TYPE. OPTIONAL PART, TO E00155,(4JH-DT, 4JH-DTZ

① Ref. No.

The Ref. No. listed may not be in accordance with the illustration Ref. No.

(Ex.) Illustration No. List Ref No.

1 1 (Before change) → 1-1 (After change)

For interchangeable symbols N, R and K, illustrations for new parts may be abbreviated.

② Lev. (Level)

Level indication

The numbers below indicate the level of relativity towards the main part.

1 ---- Main parts (Assembly parts)

2 ---- Sub component included in " 1 ".

3 ---- Sub component included in " 2 ".

Note) Parts that are not for sale are partially illustrated but not listed.

③ Interchangeability Mark

When a part change takes place, one of the following interchangeability symbols is indicated beside the part.

Symbol	Interchangeability	Contents note
N	Old $\begin{matrix} \leftarrow \text{Yes} \\ \text{No} \rightarrow \end{matrix}$ New	New Part is interchangeable for Old Part but Old Part is not interchangeable for New Part.
Q	Old $\begin{matrix} \leftarrow \text{No} \\ \text{Yes} \rightarrow \end{matrix}$ New	New Part is not interchangeable for Old Part but Old Part is interchangeable for New Part.
R	Old $\begin{matrix} \leftarrow \text{Yes} \\ \text{Yes} \rightarrow \end{matrix}$ New	New/ Old Parts are both interchangeable.
S	Old $\begin{matrix} \leftarrow \text{No} \\ \text{No} \rightarrow \end{matrix}$ New	New/ Old Parts are both not interchangeable.
W		Part newly added.
Z		Part discontinued.
F		Not interchangeable by a single part but interchangeable together with related parts.
K		Changes only for used parts quantities.

④ Effective Machine No.

When a part changes, the effective Machine No. will be indicated in the (A)-(F) column.

Product Symbol	Product No.	Product Symbol	Product No.
C	Clutch No. Compressor No.	F	Machine No. (Agricultural Equip.)
D	Drive No.	M	Machine No.
E	Engine No.		

Note 1) A date may follow the symbol. (Ex.) 1996.01

Note 2) "XXXXX" and "ZZZZZ" are for parts that could not be predicted or for engine models that could not be identified.

Note 3) (A=E00185) is the E (Engine Serial Number) for the column (A) model (in this case 4JH-DT) after the parts design change.

⑤ Remarks Mark

Figures or alphabets (symbols) are entered in the remarks column.

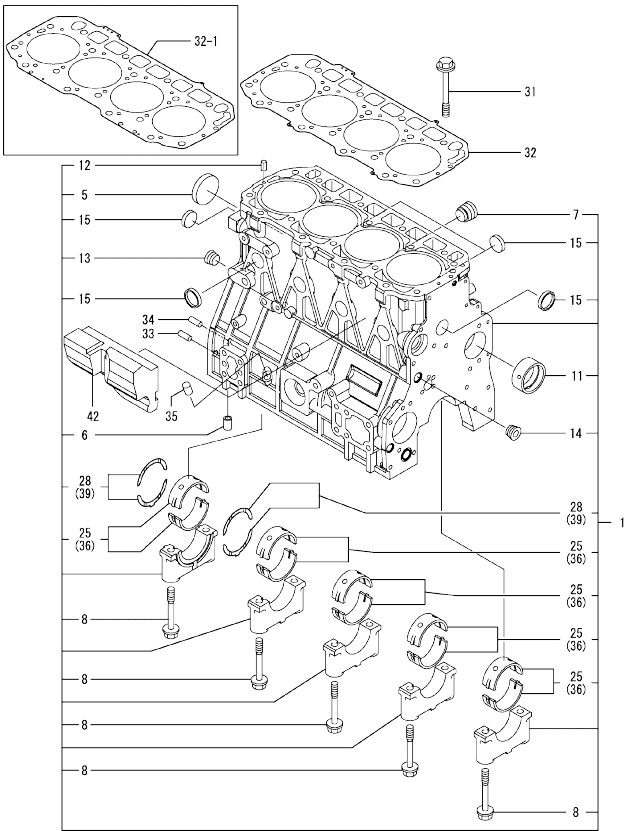
The comments (remarks) on parts that are indicated at the bottom of the illustration are the same symbols as those stated above.

Contents

OCR10-M62600

Fig. No.	Fig. Name	Fig. No.	Fig. Name
4	TNV94L-NU2		
1.	CYLINDER BLOCK		
2.	GEAR HOUSING		
3.	MOUNTING FLANGE & OIL SUMP		
4.	CYLINDER HEAD & BONNET		
5.	SUCTION & EXHAUST MANIFOLD		
6.	CAMSHAFT & DRIVING GEAR		
7.	CRANKSHAFT & PISTON		
8.	BALANCER		
9.	LUB. OIL SYSTEM		
10.	COOLING WATER SYSTEM		
11.	FUEL INJECTION PUMP		
12.	GOVERNOR		
13.	FUEL INJECTION VALVE		
14.	FUEL LINE		
15.	STARTING MOTOR		
16.	GENERATOR		
17.	GASKET SET		

Fig.1. CYLINDER BLOCK



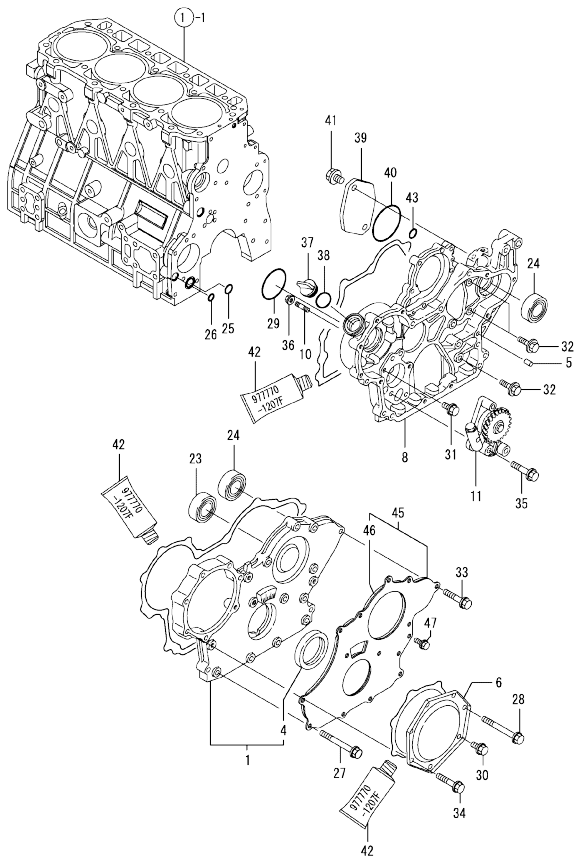
(A)=4TNV94L-NU2
(B)=
(C)=

(D)=
(E)=
(F)=

No.	Lev.	Parts No.	Description	Q'ty						I	R
				(A)	(B)	(C)	(D)	(E)	(F)		
1	1	729962-01560	BLOCK ASSY, CYLINDER	1							
5	2	129900-01250	PLUG, 55	1							
6	2	129956-01710	PIPE, KNOCK L=25	1							
7	2	171051-01921	PLUG, NPTF1	1							
8	2	129900-02020	BOLT, METAL CAP	10							
11	2	129900-02410	BUSH, CAMSHAFT	1							
12	2	22351-060012	PIN, SPRING 6.0X12	2							
13	2	23876-030000	PLUG, R03	1							
14	2	23876-030000	PLUG, R03	1							
15	2	27241-300000	PLUG 30	8							
25	2	729900-02800	BEARING, MAIN	5							3
28	2	129900-02930	BEARING, THRUST	2							
31	1	129900-01200	BOLT, HEAD	18							
32	1	129906-01340	GASKET, HEAD	1							
32-1	1	129906-01350	GASKET, HEAD	1							S
(A=2009.12)											
33	1	129100-01580	PIN, M8X16	2							
34	1	129100-01580	PIN, M8X16	2							
35	1	119309-01810	PLUG	1							
36	1	129900-02340	BEARING, 0.25 US	5							1
39	1	129900-02940	BEARING, THRUST 0.25	2							2
42	1	129907-01190	SPACER	1							

Remarks
 (1) UNDER-SIZED(U.S=0.25)PART.
 (2) OVER-SIZED(O.S=0.25)PART.
 (3) REPAIR PART.

Fig.2. GEAR HOUSING



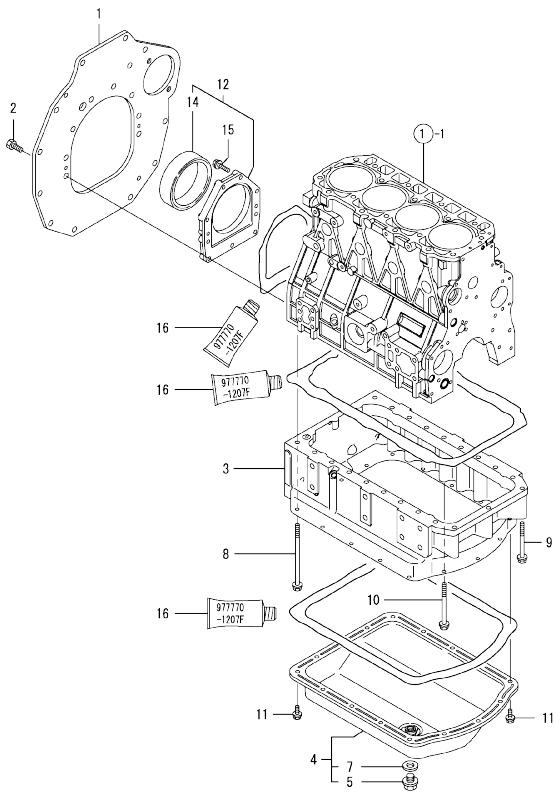
(A)=4TNV94L-NU2
(B)=
(C)=

(D)=
(E)=
(F)=

No.	Lev.	Parts No.	Description	Qty						I	R
				(A)	(B)	(C)	(D)	(E)	(F)		
1	1	729907-01550	COVER ASSY,GEAR CASE	1							
4	2	129900-01780	SEAL, OIL	1							
5	1	129100-01580	PIN, M8X16	4							
6	1	129900-01740	COVER	1							
8	1	129962-01500	CASE, GEAR	1							
10	1	26216-100302	STUD, M10X 30	4							
11	1	129956-32001	PUMP ASSY, OIL	1							
23	1	129900-14140	BEARING, BALL 6205	1							
24	1	129900-26250	BEARING, BALL 6206C3	2							
25	1	129900-32030	O-RING, P20	1							
26	1	129900-32040	O-RING, P14	1							
27	1	129001-91810	BOLT, M8X70	6							
28	1	129001-91810	BOLT, M8X70	1							
29	1	24351-030750	O-RING, 1A3075	1							
30	1	26106-080162	BOLT, M8X 16 PLATED	1							
31	1	26106-080162	BOLT, M8X 16 PLATED	1							
32	1	26106-080202	BOLT, M8X 20 PLATED	3							
33	1	26106-080402	BOLT, M8X 40 PLATED	5							
34	1	26106-080402	BOLT, M8X 40 PLATED	5							
35	1	26106-080452	BOLT, M8X 45 PLATED	3							
36	1	26306-100002	NUT, M10	4							
37	1	124160-01751	COVER, FILLER	1							
38	1	24311-000320	O-RING, 1AP32.0	1							
39	1	121023-26070	COVER	1							
40	1	24321-000850	O-RING, 1AG85.0	1							
41	1	26106-100202	BOLT, M10X 20 PLATED	2							
42	1	977770-1207F	GASKET,LIQUID	1							1
43	1	24311-000070	O-RING, 1AP7.0	1							
45	1	129900-01850	COVER ASSY,GEAR CASE	1							
46	2	129900-01870	SPONGE	1							
47	1	26106-080162	BOLT, M8X 16 PLATED	3							

Remarks
(1) OPTIONAL PART.

Fig.3. MOUNTING FLANGE & OIL SUMP



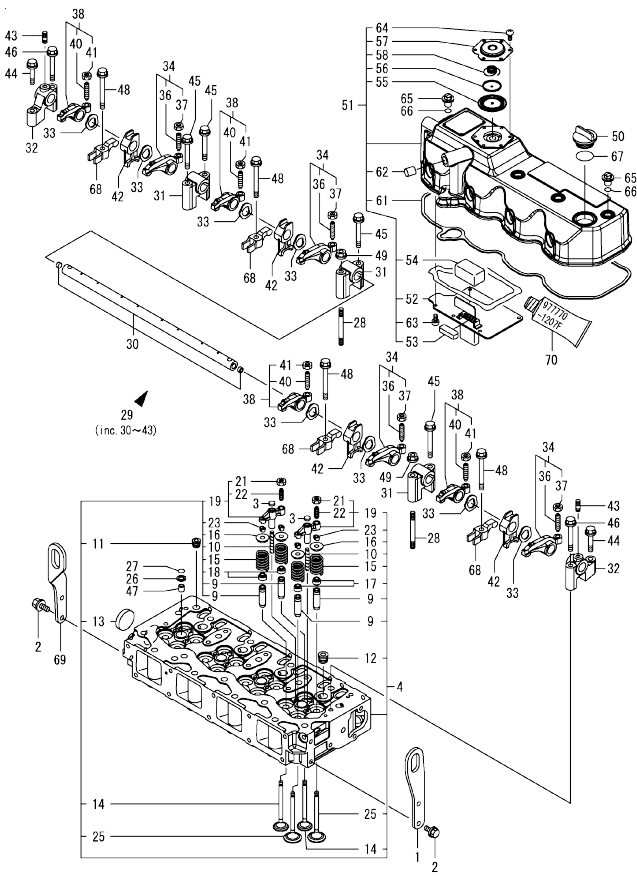
(A)=4TNV94L-NU2
(B)=
(C)=

(D)=
(E)=
(F)=

No.	Lev.	Parts No.	Description	Q'ty						I	R
				(A)	(B)	(C)	(D)	(E)	(F)		
1	1	129956-01602	FLANGE, MOUNTING	1							
2	1	26116-100202	BOLT, M10X 20 PLATED	9							
3	1	129956-01700	SUMP, OIL	1							
4	1	129956-01740	COVER ASSY, OIL SUMP	1							
5	2	105425-01690	PLUG, 16	1							
7	2	22190-160002	WASHER, SEAL 16	1							
8	1	129972-01731	BOLT, M8X150	2							
9	1	129001-91841	BOLT, M8X85	3							
10	1	129693-44310	BOLT	16							
11	1	26106-080122	BOLT, M8X 12 PLATED	16							
12	1	129956-01640	CASE ASSY, OIL SEAL	1							
14	2	124411-01780	SEAL, HTC95X115X12	1							
15	1	26106-080302	BOLT, M8X 30 PLATED	9							
16	1	977770-1207F	GASKET,LIQUID	1							1

Remarks
(1) OPTIONAL PART.

Fig.4. CYLINDER HEAD & BONNET



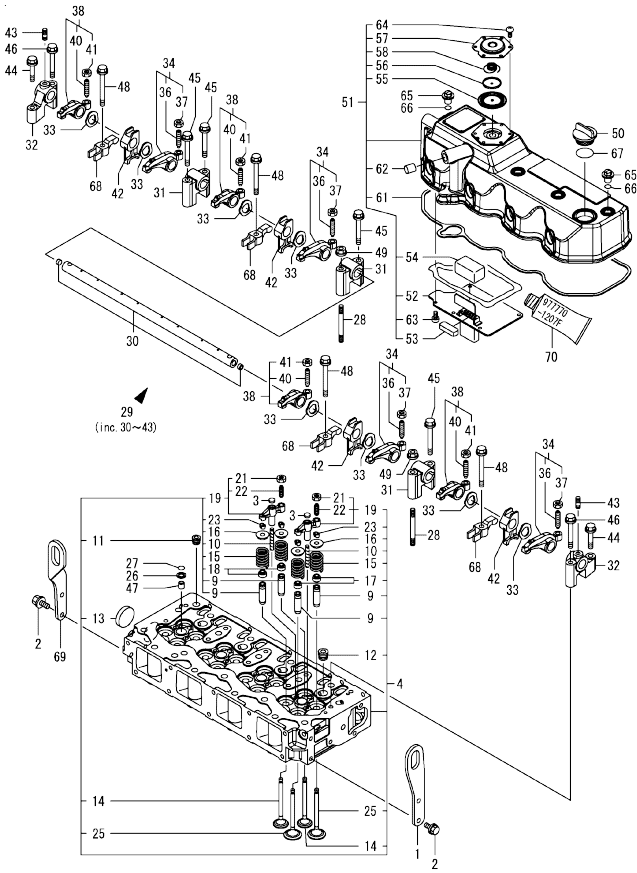
(A)=4TNV94L-NU2
(B)=
(C)=

(D)=
(E)=
(F)=

No.	Lev.	Parts No.	Description	Q'ty						I	R
				(A)	(B)	(C)	(D)	(E)	(F)		
1	1	129907-07900	LIFTER	1							
2	1	26106-080162	BOLT, M8X 16 PLATED	4							
3	1	123907-11550	SEAT, VALVE BRIDGE	8							
4	1	129907-11700	HEAD ASSY, CYLINDER	1							1
9	2	129907-11800	GUIDE, VALVE	16							
10	2	123907-11820	GUIDE	8							
11	2	23876-020000	PLUG, R02	1							
12	2	23876-030000	PLUG, R03	4							
13	2	27241-400000	PLUG, 40	1							
14	2	129907-11110	VALVE, EXHAUST	8							
15	2	129907-11120	SPRING, VALVE	16							
16	2	119620-11180	RETAINER, SPRING	16							
17	2	124160-11340	SEAL, VALVE STEM	8							
18	2	124950-11340	SEAL, VALVE STEM	8							
19	2	129907-11510	BRIDGE ASSY, VALVE	8							
21	3	129150-11750	NUT, M8	8							
22	3	123907-11830	ADJUSTER	8							
23	2	27310-070001	COTTER, 7	16							
25	2	129907-11100	VALVE, INTAKE	8							
26	1	119625-11880	SEAT, NOZZLE	4							
27	1	24311-000120	O-RING, 1AP12.0	4							
28	1	119593-11301	STUD, M8X80	2							
29	1	129907-11341	SHAFT ASSY, ROCKER	1							
30	2	129907-11250	SHAFT, ROCKER ARM	1							
31	2	129907-11260	SUPPORT, ROCKER ARM	3							
32	2	129907-11270	SUPPORT, ROCKER ARM	2							
33	2	123907-11280	WASHER	8							
34	2	129907-11650	ARM, ROCKER	4							
36	3	129150-11230	SCREW, VALVE ADJUST	4							
37	3	129150-11750	NUT, M8	4							
38	2	129907-11660	ARM, ROCKER	4							
40	3	129150-11230	SCREW, VALVE ADJUST	4							
41	3	129150-11750	NUT, M8	4							
42	2	129907-11920	RETAINER	4							
43	2	26226-080222	STUD, M8X 22	2							
44	1	26106-080402	BOLT, M8X 40 PLATED	2							
45	1	26106-080602	BOLT, M8X 60 PLATED	4							
46	1	26106-080602	BOLT, M8X 60 PLATED	2							
47	1	119802-11870	PROTECTOR, NOZZLE	4							
48	1	129907-11950	BOLT, M8X75	4							
49	1	26306-080002	NUT, M8	2							
50	1	124160-01751	COVER, FILLER	1							
51	1	129907-11320	BONNET ASSY, HEAD	1							
52	2	129907-03011	PLATE	1							
53	2	129907-03061	BAFFLE, BREATHER	1							
54	2	129907-03070	BAFFLE, BREATHER	1							
55	2	123907-03100	DIAPHRAGM	1							
56	2	123907-03110	PLATE	1							
57	2	123907-03120	PLATE, BREATHER	1							
58	2	123907-03140	SPRING, DIAPHRAGM	1							
61	2	129907-11310	GASKET, BONNET	1							

Remarks
(1) REPAIR PART.
(2) OPTIONAL PART.

Fig.4. CYLINDER HEAD & BONNET



(A)=4TNV94L-NU2
(B)=
(C)=

(D)=
(E)=
(F)=

No.	Lev.	Parts No.	Description	Q'ty						I	R
				(A)	(B)	(C)	(D)	(E)	(F)		
62	2	119640-61400	PLUG	1							
63	2	22857-500100	SCREW, 5X10	6							
64	2	22857-500100	SCREW, 5X10	6							
65	1	124160-11360	KNOB	4							
66	1	24311-000120	O-RING, 1AP12.0	4							
67	1	24311-000320	O-RING, 1AP32.0	1							
68	1	129907-11910	RETAINER, NOZZLE	4							
69	1	129910-07900	LIFTER	1							
70	1	97770-1207F	GASKET,LIQUID	1							2

Remarks

- (1) REPAIR PART.
- (2) OPTIONAL PART.

Fig.5. SUCTION & EXHAUST MANIFOLD

(A)=4TNV94L-NU2
(B)=
(C)=

(D)=
(E)=
(F)=

No.	Lev.	Parts No.	Description	Q'ty						I	R
				(A)	(B)	(C)	(D)	(E)	(F)		
1	1	129907-12100	MANIFOLD, AIR INTAKE	1							
3	1	129907-12110	GASKET, MANIFOLD	1							
4	1	26106-080552	BOLT, M8X 55 PLATED	9							
5	1	26106-080852	BOLT, M8X 85 PLATED	1							
6	1	129900-13200	MANIFOLD, EXHAUST	1							
8	1	129900-13251	GASKET	1							
9	1	123900-13610	STUD, M8X80	2							
10	1	123900-13630	BOLT, M8X80	6							
11	1	119131-18320	STUD, M8X22	4							
12	1	26306-080002	NUT, M8	2							
13	1	121850-77021	GASKET	1							
14	1	129915-77050	HEATER	1							
15	1	129930-13201	GASKET, SILENCER	1							
16	1	26106-080352	BOLT, M8X 35 PLATED	4							

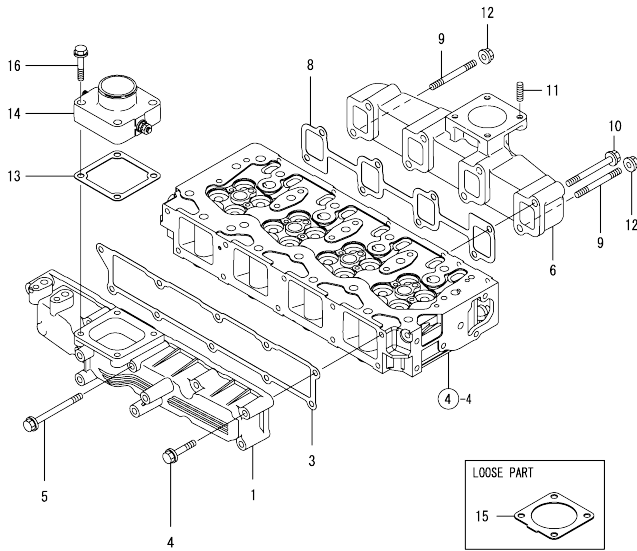
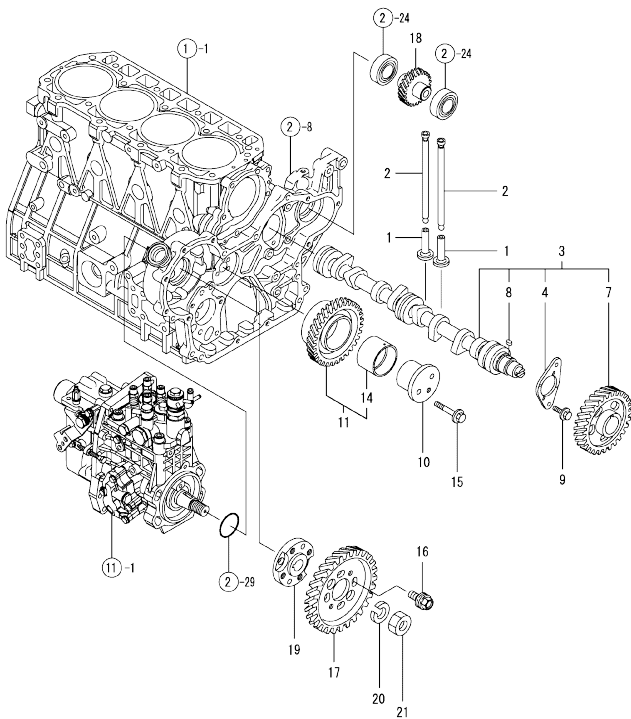


Fig.6. CAMSHAFT & DRIVING GEAR



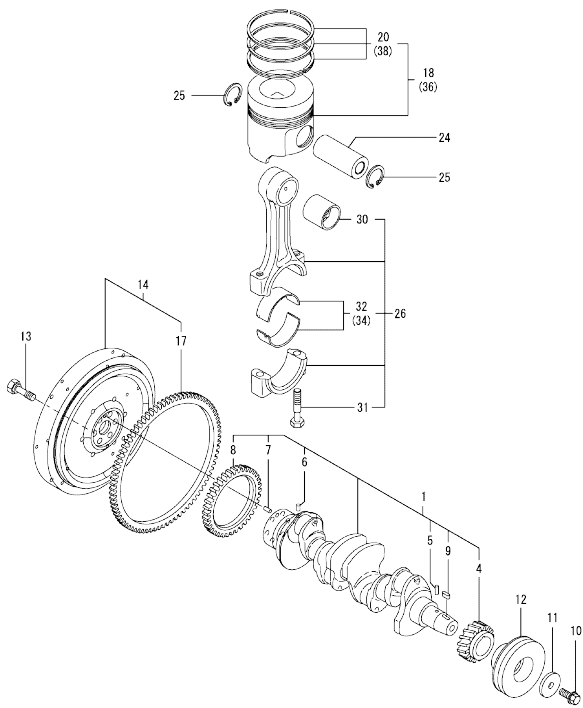
No.	Lev.	Parts No.	Description	Q'ty						I	R
				(A)	(B)	(C)	(D)	(E)	(F)		
1	1	129150-14200	TAPPET	8							
2	1	129907-14400	ROD, PUSH	8							
3	1	129907-14581	CAMSHAFT ASSY	1							
3-1	1	129908-14581	CAMSHAFT ASSY	1							N
4	2	129150-02450	BEARING, THRUST	1							
7	2	129900-14100	GEAR, CAMSHAFT	1							
8	2	22512-070140	KEY, 7X 14	1							
9	1	26106-080162	BOLT, M8X 16 PLATED	2							
10	1	123900-25060	SHAFT, IDLE GEAR	1							
11	1	129900-25100	GEAR ASSY, IDLE	1							
14	2	129150-25920	BUSH, IDLE GEAR	1							1
15	1	26106-080552	BOLT, M8X 55 PLATED	3							
16	1	129953-25300	BOLT	4							
17	1	129907-25900	GEAR, PUMP	1							
18	1	129980-26200	GEAR, PUMP	1							
19	1	158563-51150	FLANGE	1							
20	1	22217-180000	WASHER, SPRING 18	1							
21	1	26776-180002	NUT, LOCK M18	1							

Remarks
(1) REPAIR PART.

Fig.7. CRANKSHAFT & PISTON

(A)=4TNV94L-NU2
(B)=
(C)=

(D)=
(E)=
(F)=



No.	Lev.	Parts No.	Description	Q'ty						I	R
				(A)	(B)	(C)	(D)	(E)	(F)		
1	1	129956-21000	CRANKSHAFT ASSY	1							
4	2	129900-21200	GEAR, CRANKSHAFT	1							
5	2	121850-21290	PIN	1							
6	2	121850-21290	PIN	1							
7	2	121850-21920	PIN, M10X22	1							
8	2	129956-28321	GEAR, BALANCER	1							
9	2	22512-070140	KEY, 7X 14	1							
10	1	121850-21680	BOLT	1							
11	1	129900-21640	WASHER	1							
12	1	129907-21660	V-PULLEY, 130	1							
13	1	121850-21130	BOLT, FLYWHEEL	6							
14	1	129920-21570	FLYWHEEL ASSY	1							
17	2	129900-21600	GEAR, RING	1							
18	1	129962-22080	PISTON ASSY	4							
18-1	1	129962-22090	PISTON ASSY	4							F 4
(A=2009.12)											
20	2	129906-22050	RING SET, PISTON	4							
24	1	120130-22301	PIN, PISTON	4							
25	1	22252-000300	RING, 30	8							
26	1	129900-23001	ROD ASSY, CONNECTING	4							
30	2	129900-23911	BEARING, PISTON PIN	4							1
31	2	129900-23200	BOLT, CONNECTING ROD	8							
32	2	129900-23600	BEARING, CRANK PIN	4							
34	1	129900-23610	BEARING, 0.25 US	4							2
36	1	729906-22900	PISTON ASSY, 0.25 OS	4							3
36-1	1	129906-22900	PISTON ASSY, 0.25 OS	4							R 3
(A=EXXXXX)											
36-2	1	129906-22910	PISTON ASSY, 0.25 OS	4							F 3
(A=2009.12)											
38	2	729906-22950	RING SET, 0.25 OS	4							3
38-1	2	129916-22950	RING SET, 0.25 OS	4							R 3
(A=EXXXXX)											

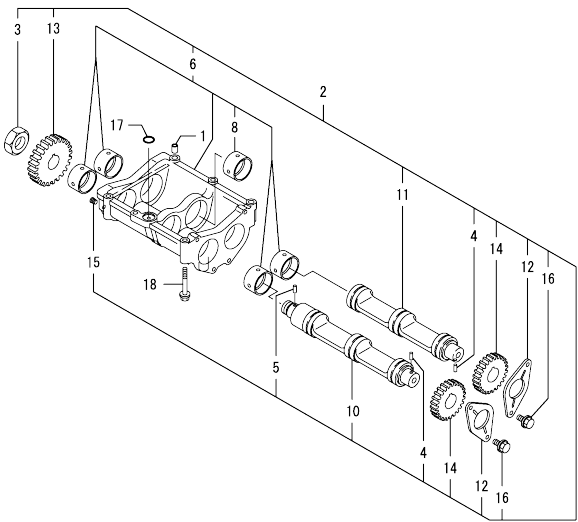
Remarks

- (1) Repair part.
- (2) Under-sized (U.S.=0.25) part.
- (3) Over-sized (O.S.=0.25) part.
- (4) Ref. No.18 is interchangeable with a set of Ref. No.18-1 and Fig.1 Ref. No.32-1.

Fig.8. BALANCER

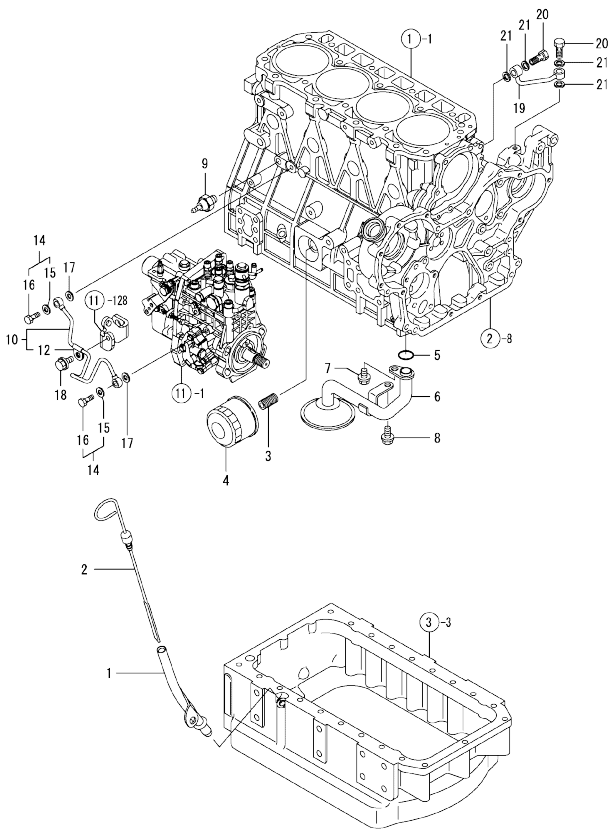
(A)=4TNV94L-NU2
(B)=
(C)=

(D)=
(E)=
(F)=



No.	Lev.	Parts No.	Description	Q'ty						I	R
				(A)	(B)	(C)	(D)	(E)	(F)		
1	1	129795-01960	PIPE, KNOCK	2							
2	1	129956-28009	BALANCER ASSY	1							
3	2	128610-14120	NUT, END	1							
4	2	121850-21290	PIN	2							
5	2	121850-21290	PIN	1							
6	2	129956-28019	CASE ASSY, BALANCER	1							
8	3	129956-28200	BUSH, BALANCER	2							
10	2	129956-28101	SHAFT, BALANCER	1							
11	2	129956-28111	SHAFT, BALANCER	1							
12	2	129956-28180	PLATE, THRUST	2							
13	2	129956-28332	GEAR, BALANCER	1							
14	2	129956-28341	GEAR, BALANCER	2							
15	2	23876-005000	PLUG, R005	1							
16	2	26106-080162	BOLT, M8X 16 PLATED	4							
17	1	24311-000200	O-RING, 1AP20.0	1							
18	1	26106-080602	BOLT, M8X 60 PLATED	6							

Fig.9. LUB. OIL SYSTEM



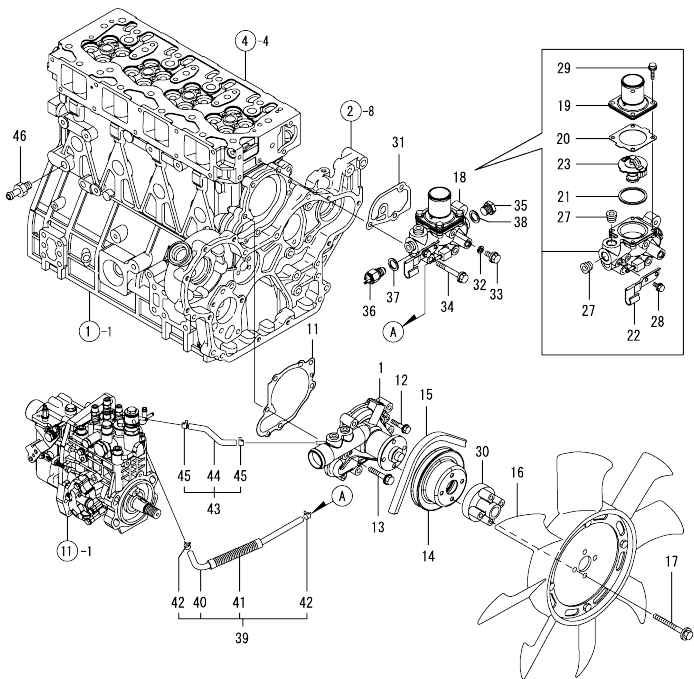
(A)=4TNV94L-NU2
(B)=
(C)=

(D)=
(E)=
(F)=

No.	Lev.	Parts No.	Description	Q'ty						I	R
				(A)	(B)	(C)	(D)	(E)	(F)		
1	1	119860-34810	GUIDE, DIPSTICK	1							
2	1	129956-34810	DIPSTICK, OIL	1							
3	1	119000-35140	BOLT, FILTER	1							
4	1	129150-35170	FILTER,LO	1							1
5	1	129900-32030	O-RING, P20	1							
6	1	129956-35000	PIPE ASSY, OIL INLET	1							
7	1	26106-080142	BOLT, M8X 14 PLATED	1							
8	1	26106-080202	BOLT, M8X 20 PLATED	1							
9	1	114250-39450	SWITCH, 0.5KG	1							
10	1	129907-39061	PIPE ASSY, OIL	1							
12	2	123907-39500	RETAINER	1							
14	1	129005-59830	BOLT ASSY, JOINT M8	2							
15	2	22190-080002	WASHER, SEAL 6	2							
16	2	23857-030000	BOLT, JOINT 3	2							
17	1	22190-080002	WASHER, SEAL 6	2							
18	1	26106-080122	BOLT, M8X 12 PLATED	1							
19	1	129930-39050	PIPE, OIL	1							
20	1	105010-39140	BOLT, PIPE JOINT	2							
21	1	22190-080002	WASHER, SEAL 6	4							

Remarks
(1) REPAIR PART.

Fig.10. COOLING WATER SYSTEM

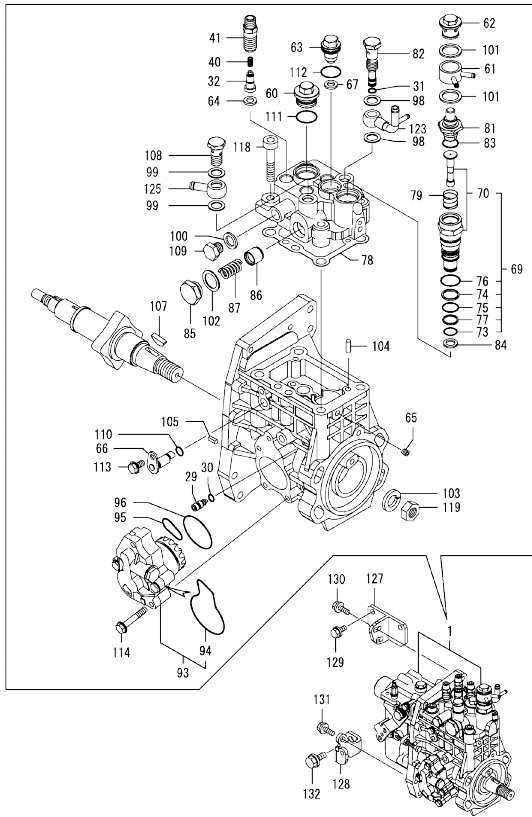


(A)=4TNV94L-NU2
(B)=
(C)=

(D)=
(E)=
(F)=

No.	Lev.	Parts No.	Description	Q'ty						I	R
				(A)	(B)	(C)	(D)	(E)	(F)		
1	1	129907-42000	PUMP ASSY, WATER	1							
11	1	129900-42020	GASKET, WATER PUMP	1							
12	1	26106-060302	BOLT, M6X 30 PLATED	2							
13	1	26106-080552	BOLT, M8X 55 PLATED	5							
14	1	129900-42450	V-PULLEY	1							
15	1	25132-004100	V-BELT, A41	1							
16	1	129920-44740	FAN, COOLING	1							
17	1	26106-080552	BOLT, M8X 55 PLATED	4							
18	1	129946-49810	CASE ASSY,THERMOSTAT	1							
19	2	129916-49530	COVER, THERMOSTAT	1							
20	2	121850-49540	GASKET, THERMOSTAT	1							
21	2	121850-49550	GASKET, THERMOSTAT	1							
22	2	129907-49730	RETAINER, PIPE	1							
23	2	121850-49800	THERMOSTAT, 82	1							
27	2	23875-030000	PLUG, R03	2							
28	2	26106-060122	BOLT, M6X 12 PLATED	1							
29	2	26106-060202	BOLT, M6X 20 PLATED	4							
30	1	119141-44760	SPACER, FAN	1							
31	1	129900-49870	GASKET	1							
32	1	23414-080000	GASKET, 8X1.0	1							
33	1	26106-080122	BOLT, M8X 12 PLATED	1							
34	1	26106-080602	BOLT, M8X 60 PLATED	3							
35	1	121450-42450	PLUG, M16	1							
36	1	121250-44901	SWITCH, 110	1							
37	1	124465-44950	GASKET, 16	1							
38	1	124465-44950	GASKET, 16	1							
39	1	129907-49610	HOSE ASSY, WATER	1							
40	2	129907-49710	PIPE ASSY, WATER	1							
41	2	129907-49750	TUBE, CORRUGATED	1							
42	2	124722-59050	CLIP, HOSE 9	2							
43	1	129907-49620	HOSE ASSY, WATER	1							
44	2	129907-49720	PIPE ASSY, WATER	1							
45	2	124722-59050	CLIP, HOSE 9	2							
46	1	121550-49111	JOINT, PT1/4	1							

Fig.11. FUEL INJECTION PUMP



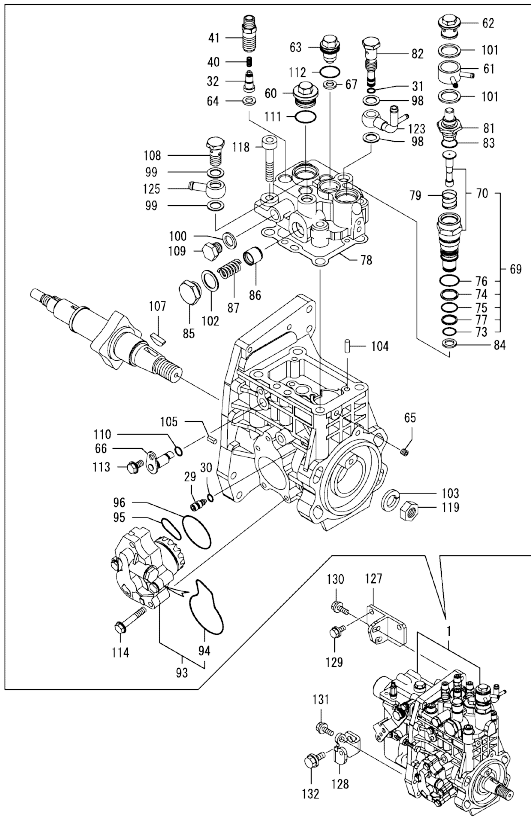
(A)=4TNV94L-NU2
(B)=
(C)=

(D)=
(E)=
(F)=

No.	Lev.	Parts No.	Description	Qty						I	R	
				(A)	(B)	(C)	(D)	(E)	(F)			
1	1	729962-51391	PUMP ASSY, INJECTION	1							1	
29	2	158600-51270	STOPPER, TAPPET	1								
30	2	158563-51281	O-RING, 4D S6	1								
31	2	158563-51281	O-RING, 4D S6	1								
32	2	158560-51300	VALVE ASSY, DELIVERY	4								
40	2	158563-51330	SPRING, DELIVERY	4								
41	2	158560-51340	HOLDER, DELIVERY	4								
60	2	158601-51550	PLUG	1								
61	2	158553-51551	JOINT	1								
62	2	158601-51570	PLUG	1								
63	2	129907-51560	PLUG, BARREL	1								
64	2	158552-51570	GASKET	4								
65	2	158557-51570	PLUG	1								
66	2	158552-51580	LIFTER	1								
67	2	129906-51580	GASKET	1								
69	2	119802-51590	TIMER SET	1								
70	3	119802-51600	TIMER ASSY	1								
73	3	158553-51670	O-RING, 1011	1								
74	3	119802-51680	RING, BACK UP	1								
75	3	119802-51690	O-RING	1								
76	3	24356-010200	O-RING, 4D1020	1								
77	3	24372-000150	RING, BACK UP T2P15	1								
78	2	158560-51600	GASKET	1								
79	2	158553-51630	SPRING, TIMER	1								
81	2	158553-51640	ELEMENT	1								
82	2	158601-51650	JOINT, OVER FLOW	1								
83	2	158553-51660	O-RING, P14	1								
84	2	158553-51680	GASKET	1								
85	2	158601-51790	PLUG	1								
86	2	158601-51770	PISTON	1								
87	2	158552-51780	SPRING	1								
93	2	158552-52100	PUMP ASSY, FUEL FEED	1								
94	3	158552-52500	O-RING	1								
95	2	158552-52310	O-RING	1								
96	2	158552-52400	O-RING, 4E S42	1								
98	2	22190-120002	WASHER, SEAL 12	2								
99	2	22190-120002	WASHER, SEAL 12	2								
100	2	22190-120002	WASHER, SEAL 12	1								
101	2	22190-180002	WASHER, SEAL 18	2								
102	2	22190-180002	WASHER, SEAL 18	1								
103	2	22217-180000	WASHER, SPRING 18	1								
104	2	22312-050140	PIN, PARALLELM5X14	2								
105	2	22351-050010	PIN, SPRING 5.0X10	2								
107	2	144626-51090	KEY, 5X19	1								
108	2	23857-060000	BOLT, JOINT 6	1								
109	2	23887-120002	PLUG, 12	1								
110	2	24311-000070	O-RING, 1AP7.0	1								
111	2	24356-010200	O-RING, 4D1020	1								
112	2	24356-020210	O-RING, 4D2021	1								
113	2	26106-060102	BOLT, M6X 10 PLATED	1								
114	2	26106-060352	BOLT, M6X 35 PLATED	4								

Remarks
(1) GOVERNOR ASSY(FIG.12) IS INCORPORATED IN THIS FOP.CMP (REF.NO.1).

Fig.11. FUEL INJECTION PUMP



(A)=4TNV94L-NU2
(B)=
(C)=

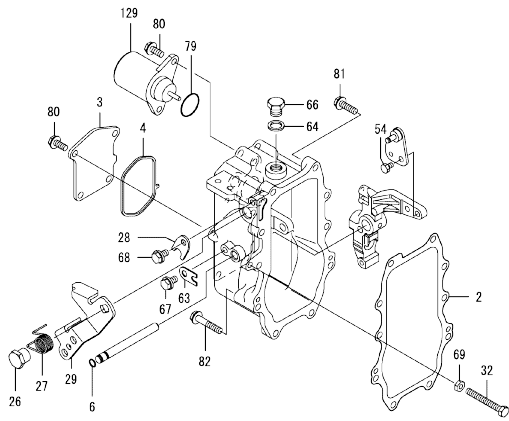
(D)=
(E)=
(F)=

No.	Lev.	Parts No.	Description	Q'ty						I	R		
				(A)	(B)	(C)	(D)	(E)	(F)				
118	2	26450-100452	BOLT, M10X 45										
119	2	26776-180002	NUT, LOCK M18										
123	2	158552-51670	JOINT, OVER FLOW										
125	2	129916-59020	JOINT, PIPE 12										
127	1	129907-01950	RETAINER										
128	1	129907-01960	RETAINER										
129	1	26106-080162	BOLT, M8X 16 PLATED										
130	1	26106-080222	BOLT, M8X 22 PLATED										
131	1	26106-080222	BOLT, M8X 22 PLATED										
132	1	26106-100202	BOLT, M10X 20 PLATED										

Remarks
(1) GOVERNOR ASSY(FIG.12) IS
INCORPORATED IN THIS FOP.CMP
(REF.NO.1).

OCR10-M62600 4TNV94L-NU2
 Fig.12. GOVERNOR

OCR10-M62600 Fig.12



(A)=4TNV94L-NU2
 (B)=
 (C)=

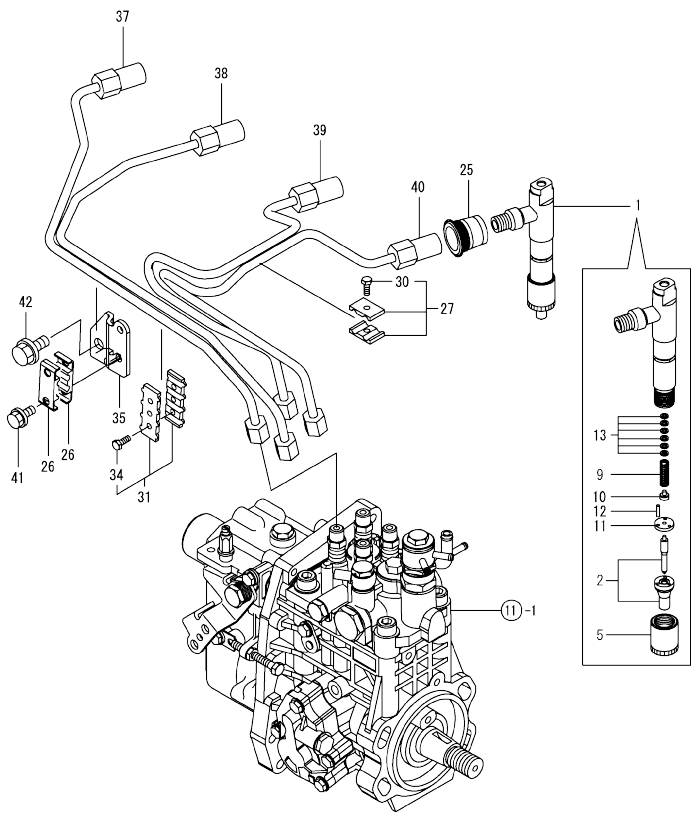
(D)=
 (E)=
 (F)=

No.	Lev.	Parts No.	Description	Q'ty						I	R
				(A)	(B)	(C)	(D)	(E)	(F)		
2	2	158560-61050	GASKET	1							
3	2	158560-61061	COVER, GOVERNOR CASE	1							
4	2	158560-61071	GASKET	1							
6	2	129155-51280	O-RING, S6	1							
26	2	129255-61410	NUT, LOCK	1							
27	2	119807-61420	SPRING, RETURN	1							
28	2	158560-61430	RETAINER, SHAFT	1							
29	2	158560-61441	LEVER, REGULATOR	1							
32	2	129155-61460	BOLT, IDLE	1							
54	2	26116-060102	BOLT, M6X 10 PLATED	1							
63	2	119660-61901	RETAINER, SHAFT	1							
64	2	22190-160002	WASHER, SEAL 16	1							
66	2	23887-160002	PLUG, 16	1							
67	2	26106-060102	BOLT, M6X 10 PLATED	1							
68	2	26106-060102	BOLT, M6X 10 PLATED	1							
69	2	26756-060002	NUT, LOCK M6	1							
79	2	24341-000280	O-RING, 1AS28.0	1							
79-1	2	158552-61900	O-RING	1							N
(A=EXXXXX)											
80	2	26106-060142	BOLT, M6X 14 PLATED	6							
81	2	26106-060252	BOLT, M6X 25 PLATED	8							
82	2	26106-060402	BOLT, M6X 40 PLATED	2							
129	2	119233-77932	SOLENOID, STOP	1							

Remarks
 * THIS FIGURE(GOVERNOR ASSY)IS
 INCORPORATED IN THE FUEL INJECTION
 PUMP ASSY(FIG.11).

N:Old $\frac{100}{100}$ New, Q:Old $\frac{100}{100}$ New, R:Old $\frac{100}{100}$ New, S:Old $\frac{100}{100}$ New, W:Add, Z:Discontinued, F:Interchangeable by set, K:Q'ty Change
 Copyright (C) YANMAR GLOBAL CS CO., LTD. All Rights Reserved.

Fig.13. FUEL INJECTION VALVE



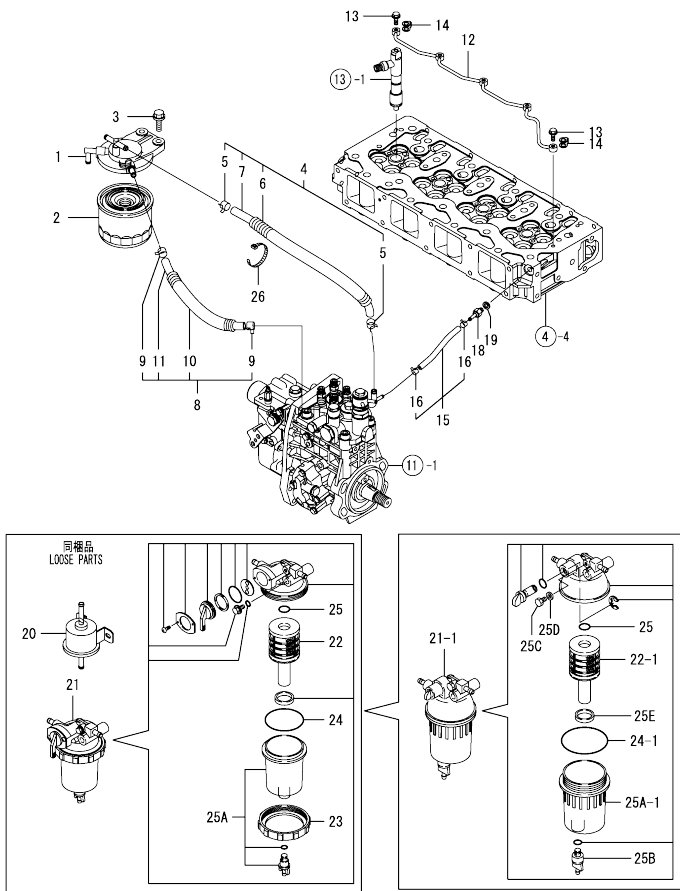
No.	Lev.	Parts No.	Description	Q'ty					
				(A)	(B)	(C)	(D)	(E)	(F)
1	1	729906-53100	VALVE ASSY,INJECTION	4					
2	2	129906-53000	VALVE ASSY,INJECTION	4					
5	2	114250-53080	NUT, NOZZLE D16.95	4					
9	2	114250-53120	SPRING, NOZZLE	4					
10	2	114250-53130	SEAT, SPRING	4					
11	2	114250-53140	PLATE	4					
12	2	114250-53210	PIN	8					
13	2	114250-53400	SHIM SET	4					
25	1	123907-11601	SEAL	4					
26	1	122780-59100	RETAINER	2					
27	1	119305-59120	RETAINER, PIPE	1					
30	2	129150-59131	BOLT, M4X14	1					
31	1	129550-59120	RETAINER, PIPE	1					
34	2	129150-59131	BOLT, M4X14	2					
35	1	129907-59710	SUPPORT	1					
37	1	129907-59810	PIPE ASSY, INJECTION	1					
38	1	129907-59820	PIPE ASSY, INJECTION	1					
39	1	129907-59830	PIPE ASSY, INJECTION	1					
40	1	129907-59840	PIPE ASSY, INJECTION	1					
41	1	26106-060162	BOLT, M6X 16 PLATED	2					
42	1	26106-080182	BOLT, M8X 18 PLATED	1					

N:Old $\frac{100}{100}$ New, Q:Old $\frac{100}{100}$ New, R:Old $\frac{100}{100}$ New, S:Old $\frac{100}{100}$ New, W:Add, Z:Discontinued, F:Interchangeable by set, K:Q'ty Change
 Copyright (C) YANMAR GLOBAL CS CO., LTD. All Rights Reserved.

Fig.14. FUEL LINE

(A)=4TNV94L-NU2
(B)=
(C)=

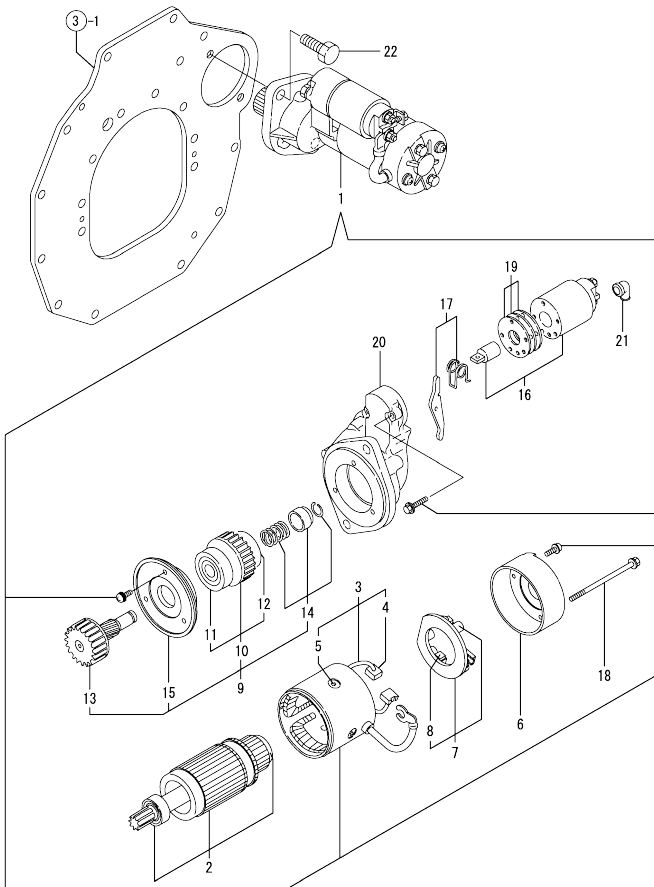
(D)=
(E)=
(F)=



No.	Lev.	Parts No.	Description	Q'ty						I	R
				(A)	(B)	(C)	(D)	(E)	(F)		
1	1	129004-55611	BRACKET, FILTER	1							
2	1	119802-55800	FILTER, FUEL	1							
3	1	26106-080302	BOLT, M8X 30 PLATED	2							
4	1	129457-59010	PIPE ASSY, FUEL	1							
5	2	124766-59050	CLIP, HOSE 12	2							
6	2	129957-59120	TUBE, CORRUGATED	1							
7	2	105025-59750	PIPE, FUEL	1							
8	1	129981-59010	PIPE ASSY, FUEL	1							
9	2	124766-59050	CLIP, HOSE 12	2							
10	2	129950-59221	TUBE, CORRUGATED	1							
11	2	129980-59510	PIPE, FUEL	1							
12	1	129907-59140	PIPE ASSY, RETURN	1							
13	1	123907-59540	BOLT, PIPE JOINT M6	5							
14	1	123907-59550	GASKET	5							
15	1	129486-59551	PIPE ASSY, RETURN	1							
16	2	124722-59050	CLIP, HOSE 9	2							
18	1	123907-59560	JOINT	1							
19	1	22190-080002	WASHER, SEAL 6	1							
20	1	119225-52102	PUMP ASSY, FUEL FEED	1							
21	1	119802-55700	SEPARATOR ASSY	1							
21-1	1	129242-55700	SEPARATOR ASSY	1							N
(A=2008.08.)											
22	2	119802-55710	ELEMENT	1							
22-1	2	129242-55730	ELEMENT	1							S
(A=2008.08.)											
23	2	129100-55690	RING, RETAINING	1							Z
(A=2008.08.)											
24	2	24321-000650	O-RING, 1AG65.0	1							
24-1	2	24321-000750	O-RING, 1AG75.0	1							S
(A=2008.08.)											
25	2	24311-000160	O-RING, 1AP16.0	1							
25A	2	119802-55730	CUP ASSY	1							W
(A=FROM 1ST)											
25A-1	2	129242-55720	CUP	1							S
(A=2008.08.)											
25B	2	129242-55740	PLUG, DRAIN	1							W
(A=2008.08.)											
25C	2	129242-55750	VALVE, AIR VENT	1							W
(A=2008.08.)											
25D	2	129242-55760	GASKET	1							W
(A=2008.08.)											
25E	2	129242-55770	FLOAT	1							W
(A=2008.08.)											
26	1	121750-59890	BAND, 140	1							

N:Old $\frac{New}{Old}$ New, Q:Old $\frac{New}{Old}$ New, R:Old $\frac{New}{Old}$ New, S:Old $\frac{New}{Old}$ New, W:Add, Z:Discontinued, F:Interchangeable by set, K:Q'ty Change
Copyright (C) YANMAR GLOBAL CS CO., LTD. All Rights Reserved.

Fig.15. STARTING MOTOR



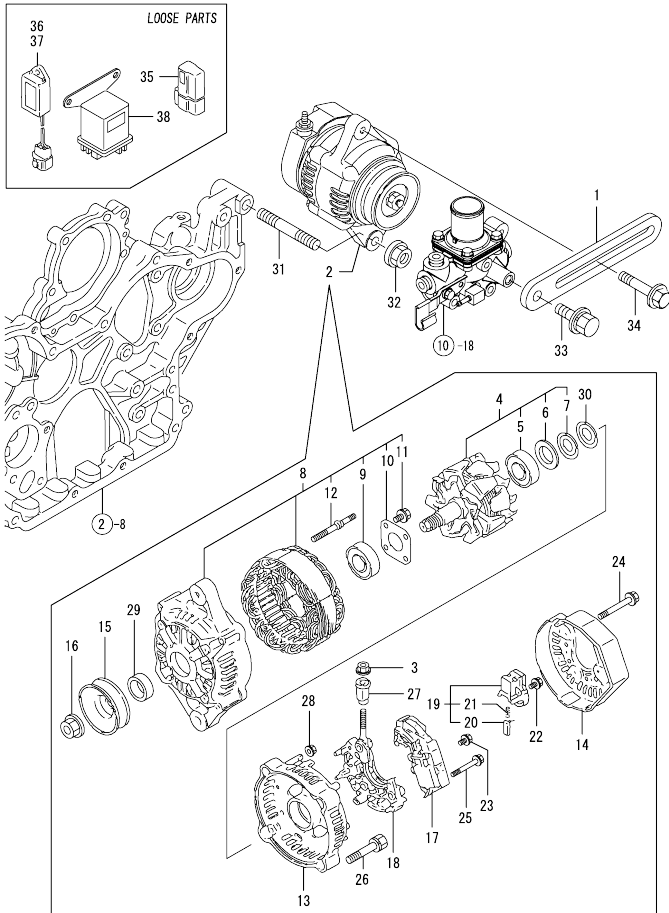
(A)=4TNV94L-NU2
(B)=
(C)=

(D)=
(E)=
(F)=

No.	Lev.	Parts No.	Description	Q'ty						I	R
				(A)	(B)	(C)	(D)	(E)	(F)		
1	1	129900-77010	STARTER(2.3KW	1							
2	2	129900-77400	ARMATURE ASSY	1							
3	2	129900-77440	COIL ASSY, FIELD	1							
4	3	129900-77450	BRUSH (+)	2							
5	3	171008-77450	SCREW	4							
6	2	129900-77460	COVER, REAR	1							
7	2	129900-77480	HOLDER ASSY, BRASH	1							
8	3	129900-77500	BRASH (-)	2							
9	2	129900-77510	PINION ASSY	1							
10	3	129900-77520	CLUTCH ASSY	1							
11	4	171008-77730	BALL BEARING (3)	1							
12	4	171008-77740	BALL BEARING (4)	1							
13	3	129900-77540	SHAFT, PINION	1							
14	3	129900-77550	STOPPER SET	1							
15	3	129900-77610	RETAINER, BEARING	1							
16	2	129900-77591	SWITCH ASSY,MAGNETIC	1							
17	2	129900-77620	SHIFT LEVER SET	1							
18	2	129900-77640	BOLT, THROUGHT	2							
19	2	129900-77650	COVER ASSY, DUST	1							
20	2	129900-77710	HOUSING, GEARS	1							
21	2	171008-77750	COVER, M TERMINAL	1							
22	1	26116-120302	BOLT, M12X 30 PLATED	2							

OCR10-M62600 4TNV94L-NU2
Fig.16. GENERATOR

OCR10-M62600 Fig.16



(A)=4TNV94L-NU2
 (B)=
 (C)=

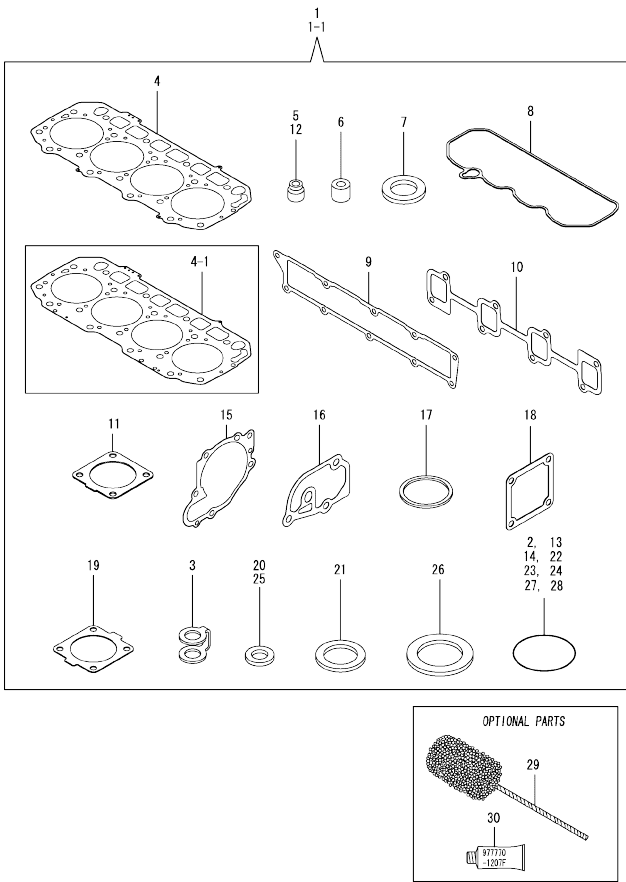
(D)=
 (E)=
 (F)=

No.	Lev.	Parts No.	Description	Qty						I	R
				(A)	(B)	(C)	(D)	(E)	(F)		
1	1	129900-77330	ADJUSTER	1							
2	1	129423-77200	GENERATOR, 12V-40A	1							
3	2	X9490561001	NUT	1							
4	2	119620-77380	ROTOR ASSY	1							
5	3	119620-79240	BALL BEARING	1							
6	3	119620-79250	COVER, BEARING	1							
7	3	119620-79360	WASHER, THRUST	1							
8	2	119620-77421	FRAME ASSY, DRIVE	1							
9	3	119620-79200	BALL BEARING	1							
10	3	119620-79210	PLATE	1							
11	3	119620-79220	SCREW	4							
12	3	119620-79230	BOLT, STUD	2							
13	2	119620-77440	FLAME ASSY, REAR	1							
14	2	129240-79300	COVER	1							
15	2	119620-77461	PULLEY	1							
16	2	119620-77471	NUT	1							
17	2	129423-77710	REGULATOR ASSY	1							
18	2	119620-79260	HOLDER	1							
19	2	119620-79270	HOLDER, BRUSH	1							
20	3	119620-77480	BRUSH ASSY	2							
21	3	119620-79280	SPRING	2							
22	2	119620-79290	SCREW	1							
23	2	119620-79300	SCREW	1							
24	2	119620-79310	BOLT	3							
25	2	119620-79320	SCREW W/WASHER	2							
26	2	119620-79330	BOLT	2							
27	2	119620-79340	INSULATION BUSH	1							
28	2	119620-79350	NUT	2							
29	2	119620-77490	COLLAR	1							
30	2	119620-79360	WASHER, THRUST	1							
31	1	129795-01900	STUD	1							
32	1	26306-100002	NUT, M10	1							
33	1	26014-080252	BOLT, M8X 25	1							
34	1	119810-77340	BOLT, ADJUSTER	1							
35	1	119643-66900	DIODE	1							
36	1	128300-77920	TIMER	1							
37	1	129211-77920	TIMER	1							
38	1	119650-77910	RELAY ASSY, GLOW	1							

N:Old $\frac{100}{100}$ New. Q:Old $\frac{100}{100}$ New. R:Old $\frac{100}{100}$ New. S:Old $\frac{100}{100}$ New. W:Add. Z:Discontinued. F:Interchangeable by set. K:Qty Change
 Copyright (C) YANMAR GLOBAL CS CO., LTD. All Rights Reserved.

OCR10-M62600 4TNV94L-NU2
 Fig.17. GASKET SET

OCR10-M62600 Fig.17



(A)=4TNV94L-NU2
 (B)=
 (C)=

(D)=
 (E)=
 (F)=

No.	Lev.	Parts No.	Description	Qty						I	R	
				(A)	(B)	(C)	(D)	(E)	(F)			
1	1	729907-92920	GASKET SET	1							1	
1-1	1	129962-92600	GASKET SET	1							S	1
(A=2009.12)												
2	2	24321-000850	O-RING, 1AG85.0	1								
3	2	123907-59550	GASKET	5								
4	2	129906-01340	GASKET, HEAD	1								
4-1	2	129906-01350	GASKET, HEAD	1							S	
(A=2009.12)												
5	2	124160-11340	SEAL, VALVE STEM	8								
6	2	119802-11870	PROTECTOR, NOZZLE	4								
7	2	119625-11880	SEAT, NOZZLE	4								
8	2	129907-11310	GASKET, BONNET	1								
9	2	129907-12110	GASKET, MANIFOLD	1								
10	2	129900-13251	GASKET	1								
11	2	129930-13201	GASKET, SILENCER	1								
12	2	124950-11340	SEAL, VALVE STEM	8								
13	2	129900-32030	O-RING, P20	2								
14	2	129900-32040	O-RING, P14	1								
15	2	129900-42020	GASKET, WATER PUMP	1								
16	2	129900-49870	GASKET	1								
17	2	121850-49550	GASKET, THERMOSTAT	1								
18	2	121850-77021	GASKET	1								
19	2	121850-49540	GASKET, THERMOSTAT	1								
20	2	23414-080000	GASKET, 8X1.0	1								
21	2	124465-44950	GASKET, 16	2								
22	2	24311-000070	O-RING, 1AP7.0	1								
23	2	24311-000120	O-RING, 1AP12.0	8								
24	2	24311-000320	O-RING, 1AP32.0	2								
25	2	22190-080002	WASHER, SEAL 6	9								
26	2	22190-160002	WASHER, SEAL 16	1								
27	2	24351-030750	O-RING, 1A3075	1								
28	2	24311-000200	O-RING, 1AP20.0	1								
29	1	129400-92450	HONE	1								1
30	1	977770-1207F	GASKET,LIQUID	1								1

Remarks
 (1) OPTIONAL PART.

N:Old $\frac{100}{100}$ New, Q:Old $\frac{100}{100}$ New, R:Old $\frac{100}{100}$ New, S:Old $\frac{100}{100}$ New, W:Add, Z:Discontinued, F:Interchangeable by set, K:Qty Change
 Copyright (C) YANMAR GLOBAL CS CO., LTD. All Rights Reserved.

Parts No. Index

Parts No.	Fig. No.	Ref. No.
105010-39140	9	20
105025-59750	14	7
105425-01690	3	5
114250-39450	9	9
114250-53080	13	5
114250-53120	13	9
114250-53130	13	10
114250-53140	13	11
114250-53210	13	12
114250-53400	13	13
119000-35140	9	3
119131-18320	5	11
119141-44760	10	30
119225-52102	14	20
119233-77932	12	129
119305-59120	13	27
119309-01810	1	35
119593-11301	4	28
119620-11180	4	16
119620-77380	16	4
119620-77421	16	8
119620-77440	16	13
119620-77461	16	15
119620-77471	16	16
119620-77480	16	20
119620-77490	16	29
119620-79200	16	9
119620-79210	16	10
119620-79220	16	11
119620-79230	16	12
119620-79240	16	5
119620-79250	16	6
119620-79260	16	18
119620-79270	16	19
119620-79280	16	21
119620-79290	16	22
119620-79300	16	23
119620-79310	16	24
119620-79320	16	25
119620-79330	16	26
119620-79340	16	27
119620-79350	16	28
119620-79360	16	7
		30
119625-11880	4	26
	17	7
119640-61400	4	62
119643-66900	16	35
119650-77910	16	38
119660-61901	12	63

Parts No.	Fig. No.	Ref. No.
119802-11870	4	47
	17	6
119802-51590	11	69
119802-51600	11	70
119802-51680	11	74
119802-51690	11	75
119802-55700	14	21
119802-55710	14	22
119802-55730	14	25 A
119802-55800	14	2
119807-61420	12	27
119810-77340	16	34
119860-34810	9	1
120130-22301	7	24
121023-26070	2	39
121250-44901	10	36
121450-42450	10	35
121550-49111	10	46
121750-59890	14	26
121850-21130	7	13
121850-21290	7	5
		6
		8
		4
		5
121850-21680	7	10
121850-21920	7	7
121850-49540	10	20
	17	19
121850-49550	10	21
	17	17
121850-49800	10	23
121850-77021	5	13
	17	18
122780-59100	13	26
123900-13610	5	9
123900-13630	5	10
123900-25060	6	10
123907-03100	4	55
123907-03110	4	56
123907-03120	4	57
123907-03140	4	58
123907-11280	4	33
123907-11550	4	3
123907-11601	13	25
123907-11820	4	10
123907-11830	4	22
123907-39500	9	12
123907-59540	14	13
123907-59550	14	14
	17	3

Parts No.	Fig. No.	Ref. No.
123907-59560	14	18
124160-01751	2	37
	4	50
124160-11340	4	17
	17	5
124160-11360	4	65
124411-01780	3	14
124465-44950	10	37
		38
	17	21
124722-59050	10	42
		45
	14	16
124766-59050	14	5
		9
124950-11340	4	18
	17	12
128300-77920	16	36
128610-14120	8	3
129001-91810	2	27
		28
129001-91841	3	9
129004-55611	14	1
129005-59830	9	14
129100-01580	1	33
		34
	2	5
129100-55690	14	23
129150-02450	6	4
129150-11230	4	36
		40
129150-11750	4	21
		37
		41
129150-14200	6	1
129150-25920	6	14
129150-35170	9	4
129150-59131	13	30
		34
129155-51280	12	6
129155-61460	12	32
129211-77920	16	37
129240-79300	16	14
129242-55700	14	21 -1
129242-55720	14	25 A-1
129242-55730	14	22 -1
129242-55740	14	25 B
129242-55750	14	25 C
129242-55760	14	25 D
129242-55770	14	25 E

Parts No.	Fig. No.	Ref. No.
129255-61410	12	26
129400-92450	17	29
129423-77200	16	2
129423-77710	16	17
129457-59010	14	4
129486-59551	14	15
129550-59120	13	31
129693-44310	3	10
129795-01900	16	31
129795-01960	8	1
129900-01200	1	31
129900-01250	1	5
129900-01740	2	6
129900-01780	2	4
129900-01850	2	45
129900-01870	2	46
129900-02020	1	8
129900-02340	1	36
129900-02410	1	11
129900-02930	1	28
129900-02940	1	39
129900-13200	5	6
129900-13251	5	8
	17	10
129900-14100	6	7
129900-14140	2	23
129900-21200	7	4
129900-21600	7	17
129900-21640	7	11
129900-23001	7	26
129900-23200	7	31
129900-23600	7	32
129900-23610	7	34
129900-23911	7	30
129900-25100	6	11
129900-26250	2	24
129900-32030	2	25
	9	5
	17	13
129900-32040	2	26
	17	14
129900-42020	10	11
	17	15
129900-42450	10	14
129900-49870	10	31
	17	16
129900-77010	15	1
129900-77330	16	1
129900-77400	15	2
129900-77440	15	3

Parts No. Index

Parts No.	Fig. No.	Ref. No.
129900-77450	15	4
129900-77460	15	6
129900-77480	15	7
129900-77500	15	8
129900-77510	15	9
129900-77520	15	10
129900-77540	15	13
129900-77550	15	14
129900-77591	15	16
129900-77610	15	15
129900-77620	15	17
129900-77640	15	18
129900-77650	15	19
129900-77710	15	20
129906-01340	1	32
	17	4
129906-01350	1	32 -1
	17	4 -1
129906-22050	7	20
129906-22900	7	36 -1
129906-22910	7	36 -2
129906-51580	11	67
129906-53000	13	2
129907-01190	1	42
129907-01950	11	127
129907-01960	11	128
129907-03011	4	52
129907-03061	4	53
129907-03070	4	54
129907-07900	4	1
129907-11100	4	25
129907-11110	4	14
129907-11120	4	15
129907-11250	4	30
129907-11260	4	31
129907-11270	4	32
129907-11310	4	61
	17	8
129907-11320	4	51
129907-11341	4	29
129907-11510	4	19
129907-11650	4	34
129907-11660	4	38
129907-11700	4	4
129907-11800	4	9
129907-11910	4	68
129907-11920	4	42
129907-11950	4	48
129907-12100	5	1
129907-12110	5	3

Parts No.	Fig. No.	Ref. No.
129907-12110	17	9
129907-14400	6	2
129907-14581	6	3
129907-21660	7	12
129907-25900	6	17
129907-39061	9	10
129907-42000	10	1
129907-49610	10	39
129907-49620	10	43
129907-49710	10	40
129907-49720	10	44
129907-49730	10	22
129907-49750	10	41
129907-51560	11	63
129907-59140	14	12
129907-59710	13	35
129907-59810	13	37
129907-59820	13	38
129907-59830	13	39
129907-59840	13	40
129908-14581	6	3 -1
129910-07900	4	69
129915-77050	5	14
129916-22950	7	38 -1
129916-49530	10	19
129916-59020	11	125
129920-21570	7	14
129920-44740	10	16
129930-13201	5	15
	17	11
129930-39050	9	19
129946-49810	10	18
129950-59221	14	10
129953-25300	6	16
129956-01602	3	1
129956-01640	3	12
129956-01700	3	3
129956-01710	1	6
129956-01740	3	4
129956-21000	7	1
129956-28009	8	2
129956-28019	8	6
129956-28101	8	10
129956-28111	8	11
129956-28180	8	12
129956-28200	8	8
129956-28321	7	8
129956-28332	8	13
129956-28341	8	14
129956-32001	2	11

Parts No.	Fig. No.	Ref. No.
129956-34810	9	2
129956-35000	9	6
129957-59120	14	6
129962-01500	2	8
129962-22080	7	18
129962-22090	7	18 -1
129962-92600	17	1 -1
129972-01731	3	8
129980-26200	6	18
129980-59510	14	11
129981-59010	14	8
144626-51090	11	107
158552-51570	11	64
158552-51580	11	66
158552-51670	11	123
158552-51780	11	87
158552-52100	11	93
158552-52310	11	95
158552-52400	11	96
158552-52500	11	94
158552-61900	12	79 -1
158553-51551	11	61
158553-51630	11	79
158553-51640	11	81
158553-51660	11	83
158553-51670	11	73
158553-51680	11	84
158557-51570	11	65
158560-51300	11	32
158560-51340	11	41
158560-51600	11	78
158560-61050	12	2
158560-61061	12	3
158560-61071	12	4
158560-61430	12	28
158560-61441	12	29
158563-51150	6	19
158563-51281	11	30
		31
158563-51330	11	40
158600-51270	11	29
158601-51550	11	60
158601-51570	11	62
158601-51650	11	82
158601-51770	11	86
158601-51790	11	85
171008-77450	15	5
171008-77730	15	11
171008-77740	15	12
171008-77750	15	21

Parts No.	Fig. No.	Ref. No.
171051-01921	1	7
22190-080002	9	15
		17
		21
	14	19
	17	25
22190-120002	11	98
		99
		100
22190-160002	3	7
	12	64
	17	26
22190-180002	11	101
		102
22217-180000	6	20
	11	103
22252-000300	7	25
22312-050140	11	104
22351-050010	11	105
22351-060012	1	12
22512-070140	6	8
	7	9
22857-500100	4	63
		64
23414-080000	10	32
	17	20
23857-030000	9	16
23857-060000	11	108
23875-030000	10	27
23876-005000	8	15
23876-020000	4	11
23876-030000	1	13
		14
	4	12
23887-120002	11	109
23887-160002	12	66
24311-000070	2	43
	11	110
	17	22
24311-000120	4	27
		66
	17	23
24311-000160	14	25
24311-000200	8	17
	17	28
24311-000320	2	38
	4	67
	17	24
24321-000650	14	24
24321-000750	14	24 -1

Parts No. Index

Parts No.	Fig. No.	Ref. No.
24321-000850	2	40
	17	2
24341-000280	12	79
24351-030750	2	29
	17	27
24356-010200	11	76
		111
24356-020210	11	112
24372-000150	11	77
25132-004100	10	15
26014-080252	16	33
26106-060102	11	113
	12	67
		68
26106-060122	10	28
26106-060142	12	80
26106-060162	13	41
26106-060202	10	29
26106-060252	12	81
26106-060302	10	12
26106-060352	11	114
26106-060402	12	82
26106-080122	3	11
	9	18
	10	33
26106-080142	9	7
26106-080162	2	30
		31
		47
	4	2
	6	9
	8	16
	11	129
26106-080182	13	42
26106-080202	2	32
	9	8
26106-080222	11	130
		131
26106-080302	3	15
	14	3
26106-080352	5	16
26106-080402	2	33
		34
	4	44
26106-080452	2	35
26106-080552	5	4
	6	15
	10	13
		17
26106-080602	4	45

Parts No.	Fig. No.	Ref. No.
26106-080602	4	46
	8	18
	10	34
26106-080852	5	5
26106-100202	2	41
	11	132
26116-060102	12	54
26116-100202	3	2
26116-120302	15	22
26216-100302	2	10
26226-080222	4	43
26306-080002	4	49
	5	12
26306-100002	2	36
	16	32
26450-100452	11	118
26756-060002	12	69
26776-180002	6	21
	11	119
27241-300000	1	15
27241-400000	4	13
27310-070001	4	23
729900-02800	1	25
729906-22900	7	36
729906-22950	7	38
729906-53100	13	1
729907-01550	2	1
729907-92920	17	1
729962-01560	1	1
729962-51391	11	1
977770-1207F	2	42
	3	16
	4	70
	17	30
X9490561001	16	3

Parts No.	Fig. No.	Ref. No.
-----------	----------	----------

Parts No.	Fig. No.	Ref. No.
-----------	----------	----------