

0CW10-M07800EN

# PREFACE

- 1.This Parts Catalog carries all parts incorporated in YANMAR Model 4TNV94L-NCKSK engine manufactured since December, 2005.
- 2.Each illustration corresponds to the parts list on the following page.
- 3.When ordering parts,clearly write down the engine model and serial number,as well as the name and number of each part in your order sheet. This will help insure reliable delivery of the parts you have ordered.

## Directions for the Parts Catalog.

1. The parts stipulated in this Parts Catalog are not necessarily standard equipped parts.
2. Parts may change without prior notice.
3. The following is an example of the Parts Catalog format.

OCF10-G21601		29. FUEL INJECTION PUMP(W/BOOST)									
REF.	LEV.	PARTS NO.	DESCRIPTION	(A)	(B)	(C)	(D)	(E)	(F)	I	R
1	1	729595-51390	FUEL INJECTION PUMP	1	1	1	1	1			1
1-1	1	729595-51391	FUEL INJECTION PUMP	1	1	1	1	1		N	1
		(A=E00185) (B=E00200)									
3	2	26022-060162	SCREW M 6X 16	9	9	9	9	9			
3-1	2	26022-060162	SCREW M 6X 16	4	4	4	4	4		K	
		(A=E00156) (B=E00156) (C=E00156) (D=E00156) (E=E00156)									
4	2	129470-51040	CAMSHAFT	1	1	1	1	1			
5	2	122710-51050	BEARING, ROLLER	2	2	2	2	2			
6	2	129470-51060	RETAINER	1	1	1	1	1			

Remarks
(1) BOOST COMPEMSATOR TYPE. OPTIONAL PART, TO E00155,(4JH-DT, 4JH-DTZ

### ① Ref. No.

The Ref. No. listed may not be in accordance with the illustration Ref. No.

(Ex.) Illustration No.

List Ref No.

1 1 (Before change) → 1-1 (After change)

For interchangeable symbols N, R and K, illustrations for new parts may be abbreviated.

### ② Lev. (Level)

Level indication

The numbers below indicate the level of relativity towards the main part.

1 ---- Main parts (Assembly parts)

2 ---- Sub component included in " 1 ".

3 ---- Sub component included in " 2 ".

Note) Parts that are not for sale are partially illustrated but not listed.

### ③ Interchangeability Mark

When a part change takes place, one of the following interchangeability symbols is indicated beside the part.

Symbol	Interchangeability	Contents note
N	Old $\begin{matrix} \leftarrow \text{Yes} \\ \text{No} \rightarrow \end{matrix}$ New	New Part is interchangeable for Old Part but Old Part is not interchangeable for New Part.
Q	Old $\begin{matrix} \leftarrow \text{No} \\ \text{Yes} \rightarrow \end{matrix}$ New	New Part is not interchangeable for Old Part but Old Part is interchangeable for New Part.
R	Old $\begin{matrix} \leftarrow \text{Yes} \\ \text{Yes} \rightarrow \end{matrix}$ New	New/ Old Parts are both interchangeable.
S	Old $\begin{matrix} \leftarrow \text{No} \\ \text{No} \rightarrow \end{matrix}$ New	New/ Old Parts are both not interchangeable.
W		Part newly added.
Z		Part discontinued.
F		Not interchangeable by a single part but interchangeable together with related parts.
K		Changes only for used parts quantities.

### ④ Effective Machine No.

When a part changes, the effective Machine No. will be indicated in the (A)-(F) column.

Product Symbol	Product No.	Product Symbol	Product No.
C	Clutch No. Compressor No.	F	Machine No. (Agricultural Equip.)
D	Drive No.	M	Machine No.
E	Engine No.		

Note 1) A date may follow the symbol. (Ex.) 1996.01

Note 2) " XXXXX " and " ZZZZZ " are for parts that could not be predicted or for engine models that could not be identified.

Note 3) (A=E00185) is the E (Engine Serial Number) for the column (A) model (in this case 4JH-DT) after the parts design change.

### ⑤ Remarks Mark

Figures or alphabets (symbols) are entered in the remarks column.

The comments (remarks) on parts that are indicated at the bottom of the illustration are the same symbols as those stated above.

## Contents

0CW10-M07800

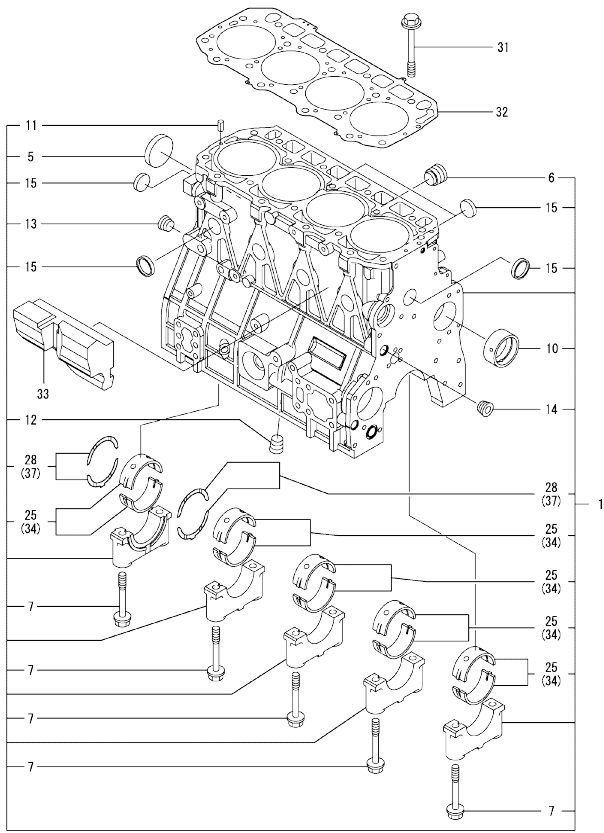
Fig. No.	Fig. Name	Fig. No.	Fig. Name
4	TNV94L-NCKSK		
1.	CYLINDER BLOCK		
2.	GEAR HOUSING		
3.	FLYWHEEL HOUSING & OIL SUMP		
4.	CYLINDER HEAD & BONNET		
5.	SUCTION MANIFOLD		
6.	EXHAUST MANIFOLD		
7.	CAMSHAFT & DRIVING GEAR		
8.	CRANKSHAFT & PISTON		
9.	LUB. OIL SYSTEM		
10.	COOLING WATER SYSTEM		
11.	FUEL INJECTION PUMP		
12.	GOVERNOR		
13.	FUEL INJECTION VALVE		
14.	FUEL LINE		
15.	GASKET SET		
16.	GENERATOR		
17.	(16A)GENERATOR		

0CW10-M07800 4TNV94L-NCKSK  
 Fig.1. CYLINDER BLOCK

0CW10-M07800 Fig.1

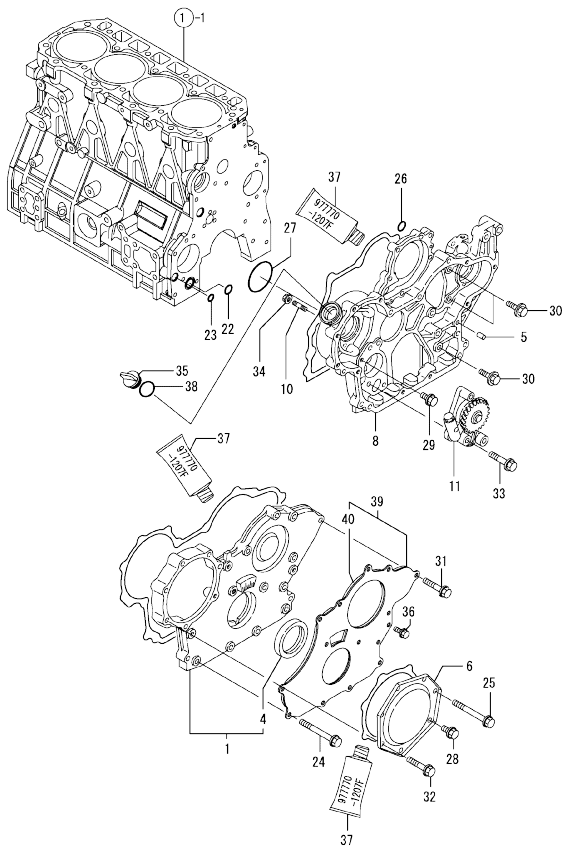
(A)=4TNV94L-NCKSK  
 (B)=  
 (C)=

(D)=  
 (E)=  
 (F)=



No.	Lev.	Parts No.	Description	Q'ty						I	R
				(A)	(B)	(C)	(D)	(E)	(F)		
1	1	729906-01560	BLOCK ASSY, CYLINDER	1							
5	2	129900-01250	PLUG, 55	1							
6	2	171051-01921	PLUG, NPTF1	1							
7	2	129900-02020	BOLT, METAL CAP	10							
10	2	129900-02410	BUSH, CAMSHAFT	1							
11	2	22351-060012	PIN, SPRING 6.0X12	2							
12	2	23876-030000	PLUG, R03	1							
13	2	23876-030000	PLUG, R03	1							
14	2	23876-030000	PLUG, R03	1							
15	2	27241-300000	PLUG 30	8							
25	2	729900-02800	BEARING, MAIN	5							3
28	2	129900-02930	BEARING, THRUST	2							
31	1	129900-01200	BOLT, HEAD	18							
32	1	129906-01340	GASKET, HEAD	1							
32-1	1	129907-01331	GASKET, HEAD	1							N
32-2	1	(A=2009.09) 129906-01350	GASKET, HEAD	1							N
33	1	(A=2009.12) 129907-01190	SPACER	1							
34	1	129900-02340	BEARING, 0.25 US	5							1
37	1	129900-02940	BEARING, THRUST 0.25	2							2

Remarks  
 (1) UNDER-SIZED(U.S=0.25)PART.  
 (2) OVER-SIZED(O.S=0.25)PART.  
 (3) REPAIR PART.



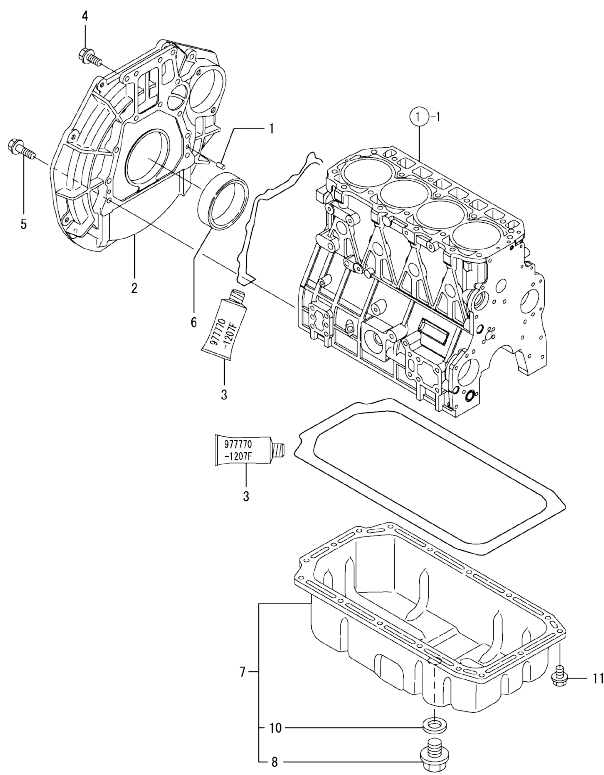
(A)=4TNV94L-NCKSK  
 (B)=  
 (C)=

(D)=  
 (E)=  
 (F)=

No.	Lev.	Parts No.	Description	Qty						I	R
				(A)	(B)	(C)	(D)	(E)	(F)		
1	1	729907-01550	COVER ASSY,GEAR CASE	1							
4	2	129900-01780	SEAL, OIL	1							
5	1	129100-01580	PIN, M8X16	4							
6	1	129900-01740	COVER	1							
8	1	129906-01500	CASE ASSY, GEAR	1							
10	1	26216-100302	STUD, M10X 30	4							
11	1	129900-32001	PUMP ASSY, OIL	1							
22	1	129900-32030	O-RING, P20	1							
23	1	129900-32040	O-RING, P14	1							
24	1	129001-91810	BOLT, M8X70	6							
25	1	129001-91810	BOLT, M8X70	1							
26	1	24311-000070	O-RING, 1AP7.0	1							
27	1	24351-030750	O-RING, 1A3075	1							
28	1	26106-080162	BOLT, M8X 16 PLATED	1							
29	1	26106-080162	BOLT, M8X 16 PLATED	1							
30	1	26106-080202	BOLT, M8X 20 PLATED	3							
31	1	26106-080402	BOLT, M8X 40 PLATED	5							
32	1	26106-080402	BOLT, M8X 40 PLATED	5							
33	1	26106-080452	BOLT, M8X 45 PLATED	3							
34	1	26306-100002	NUT, M10	4							
35	1	124160-01751	COVER, FILLER	1							
36	1	26106-080162	BOLT, M8X 16 PLATED	3							
37	1	977770-1207F	GASKET,LIQUID	1							1
38	1	24311-000320	O-RING, 1AP32.0	1							
39	1	129900-01850	COVER ASSY,GEAR CASE	1							
40	2	129900-01870	SPONGE	1							

Remarks  
 (1) OPTIONAL PART.

Fig.3. FLYWHEEL HOUSING & OIL SUMP



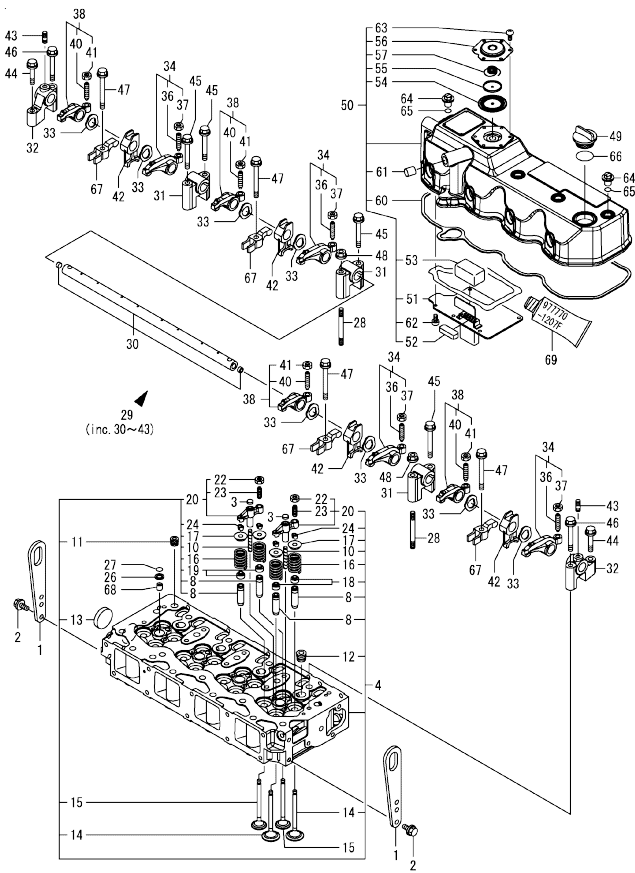
(A)=4TNV94L-NCKSK  
(B)=  
(C)=

(D)=  
(E)=  
(F)=

No.	Lev.	Parts No.	Description	Q'ty						I	R
				(A)	(B)	(C)	(D)	(E)	(F)		
1	1	129100-01580	PIN, M8X16	2							
2	1	129916-01630	HOUSING, FLYWHEEL	1							
3	1	977770-1207F	GASKET, LIQUID	1							1
4	1	26206-100202	BOLT, M10X 20 PLATED	4							
5	1	26206-100352	BOLT, M10X 35 PLATED	9							
6	1	124411-01780	SEAL, HTC95X115X12	1							
7	1	129930-01710	SUMP ASSY, OIL	1							
8	2	119640-01640	PLUG, DRAIN M22	1							
10	2	22190-220002	WASHER, SEAL 22	1							
11	1	26106-080122	BOLT, M8X 12 PLATED	16							

Remarks  
(1) OPTIONAL PART.

Fig.4. CYLINDER HEAD & BONNET



(A)=4TNV94L-NCKSK  
(B)=  
(C)=

(D)=  
(E)=  
(F)=

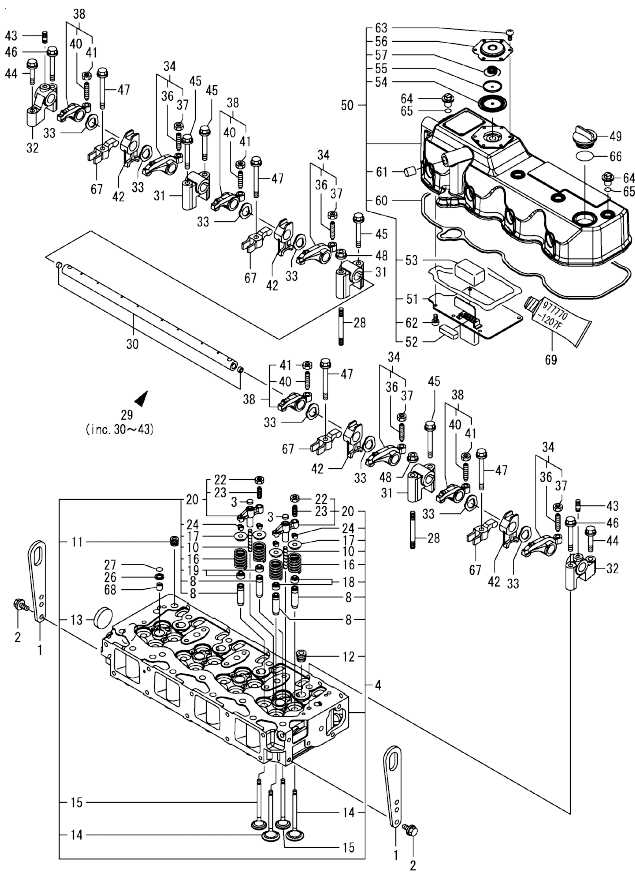
No.	Lev.	Parts No.	Description	Q'ty						I	R
				(A)	(B)	(C)	(D)	(E)	(F)		
1	1	129900-07900	LIFTER	2							
2	1	26106-080162	BOLT, M8X 16 PLATED	4							
3	1	123907-11550	SEAT, VALVE BRIDGE	8							
4	1	129907-11700	HEAD ASSY, CYLINDER	1							1
8	2	129907-11800	GUIDE, VALVE	16							
10	2	123907-11820	GUIDE	8							
11	2	23876-020000	PLUG, R02	1							
12	2	23876-030000	PLUG, R03	4							
13	2	27241-400000	PLUG, 40	1							
14	2	129907-11100	VALVE, INTAKE	8							
15	2	129907-11110	VALVE, EXHAUST	8							
16	2	129907-11120	SPRING, VALVE	16							
17	2	119620-11180	RETAINER, SPRING	16							
18	2	124160-11340	SEAL, VALVE STEM	8							
19	2	124950-11340	SEAL, VALVE STEM	8							
20	2	129907-11510	BRIDGE ASSY, VALVE	8							
22	3	129150-11750	NUT, M8	8							
23	3	123907-11830	ADJUSTER	8							
24	2	27310-070001	COTTER, 7	16							
26	1	119625-11880	SEAT, NOZZLE	4							
27	1	24311-000120	O-RING, 1AP12.0	4							
28	1	119593-11301	STUD, M8X80	2							
29	1	129907-11341	SHAFT ASSY, ROCKER	1							
30	2	129907-11250	SHAFT, ROCKER ARM	1							
31	2	129907-11260	SUPPORT, ROCKER ARM	3							
32	2	129907-11270	SUPPORT, ROCKER ARM	2							
33	2	123907-11280	WASHER	8							
34	2	129907-11650	ARM, ROCKER	4							
36	3	129150-11230	SCREW, VALVE ADJUST	4							
37	3	129150-11750	NUT, M8	4							
38	2	129907-11660	ARM, ROCKER	4							
40	3	129150-11230	SCREW, VALVE ADJUST	4							
41	3	129150-11750	NUT, M8	4							
42	2	129907-11920	RETAINER	4							
43	2	26226-080222	STUD, M8X 22	2							
44	1	26106-080402	BOLT, M8X 40 PLATED	2							
45	1	26106-080602	BOLT, M8X 60 PLATED	4							
46	1	26106-080602	BOLT, M8X 60 PLATED	2							
47	1	129907-11950	BOLT, M8X75	4							
48	1	26306-080002	NUT, M8	2							
49	1	124160-01751	COVER, FILLER	1							
50	1	129907-11320	BONNET ASSY, HEAD	1							
51	2	129907-03011	PLATE	1							
52	2	129907-03061	BAFFLE, BREATHER	1							
53	2	129907-03070	BAFFLE, BREATHER	1							
54	2	123907-03100	DIAPHRAGM	1							
55	2	123907-03110	PLATE	1							
56	2	123907-03120	PLATE, BREATHER	1							
57	2	123907-03140	SPRING, DIAPHRAGM	1							
60	2	129907-11310	GASKET, BONNET	1							
61	2	119640-61400	PLUG	1							

Remarks

- (1) REPAIR PART.
- (2) OPTIONAL PART.



Fig.4. CYLINDER HEAD & BONNET



(A)=4TNV94L-NCKSK  
(B)=  
(C)=

(D)=  
(E)=  
(F)=

No.	Lev.	Parts No.	Description	Qty						I	R
				(A)	(B)	(C)	(D)	(E)	(F)		
62	2	22857-500100	SCREW, 5X10	6							
63	2	22857-500100	SCREW, 5X10	6							
64	1	124160-11360	KNOB	4							
65	1	24311-000120	O-RING, 1AP12.0	4							
66	1	24311-000320	O-RING, 1AP32.0	1							
67	1	129907-11910	RETAINER, NOZZLE	4							
68	1	119802-11870	PROTECTOR, NOZZLE	4							
69	1	977770-1207F	GASKET, LIQUID	1							2

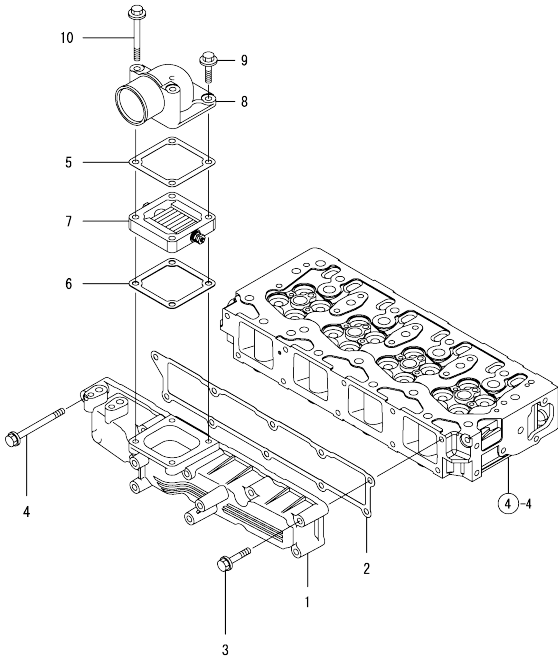
Remarks

- (1) REPAIR PART.
- (2) OPTIONAL PART.

0CW10-M07800 4TNV94L-NCKSK

Fig.5. SUCTION MANIFOLD

0CW10-M07800 Fig.5



(A)=4TNV94L-NCKSK  
(B)=  
(C)=

(D)=  
(E)=  
(F)=

No.	Lev.	Parts No.	Description	Q'ty						I	R
				(A)	(B)	(C)	(D)	(E)	(F)		
1	1	129907-12100	MANIFOLD, AIR INTAKE	1							
2	1	129907-12110	GASKET, MANIFOLD	1							
3	1	26106-080552	BOLT, M8X 55 PLATED	9							
4	1	26106-080852	BOLT, M8X 85 PLATED	1							
5	1	119129-77020	GASKET	1							
6	1	121850-77021	GASKET	1							
7	1	119005-77050	HEATER	1							
8	1	119129-77520	BEND	1							
9	1	26106-080402	BOLT, M8X 40 PLATED	2							
10	1	26106-080902	BOLT, M8X 90 PLATED	2							

Fig.6. EXHAUST MANIFOLD

(A)=4TNV94L-NCKSK  
(B)=  
(C)=

(D)=  
(E)=  
(F)=

No.	Lev.	Parts No.	Description	Q'ty					
				(A)	(B)	(C)	(D)	(E)	(F)
1	1	119107-13190	STUD, M10X30	4					
2	1	129916-13210	MANIFOLD, EXHAUST	1					
3	1	129900-13251	GASKET	1					
4	1	123900-13610	STUD, M8X80	2					
5	1	123900-13630	BOLT, M8X80	6					
6	1	26306-080002	NUT, M8	2					
7	1	128300-13230	GASKET, SILENCER	1					

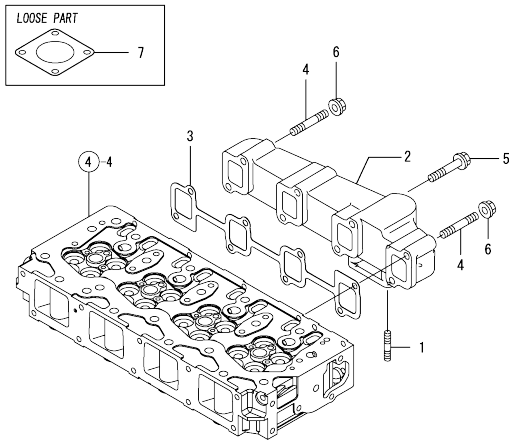
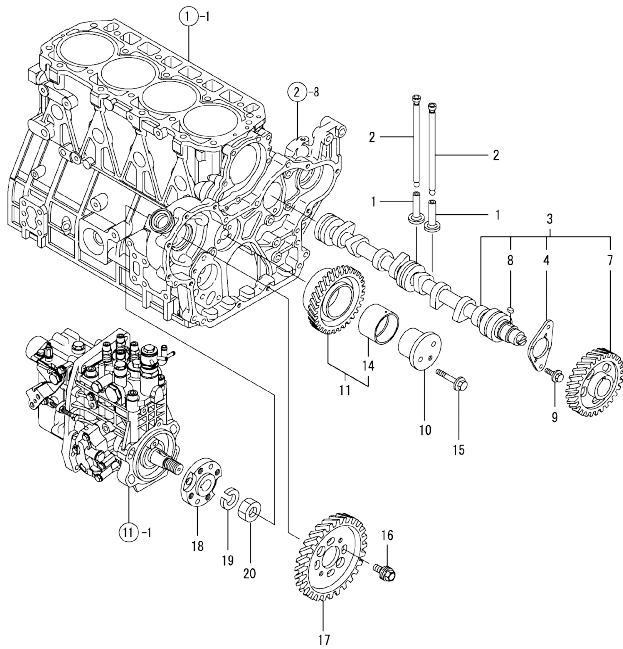


Fig.7. CAMSHAFT & DRIVING GEAR



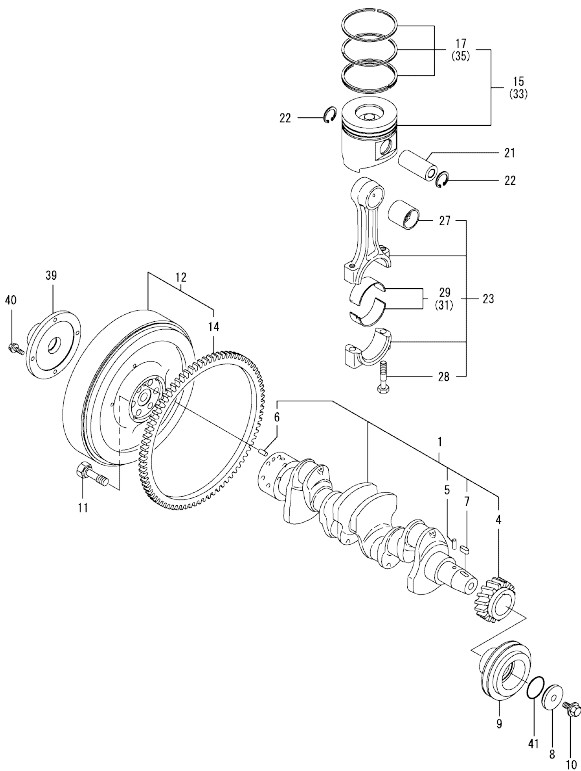
(A)=4TNV94L-NCKSK  
(B)=  
(C)=

(D)=  
(E)=  
(F)=

No.	Lev.	Parts No.	Description	Q'ty						I	R
				(A)	(B)	(C)	(D)	(E)	(F)		
1	1	129150-14200	TAPPET	8							
2	1	129907-14400	ROD, PUSH	8							
3	1	129907-14581	CAMSHAFT ASSY	1							
3-1	1	129908-14581	CAMSHAFT ASSY	1							N
		(A=EZZZZZ)									
4	2	129150-02450	BEARING, THRUST	1							
7	2	129900-14100	GEAR, CAMSHAFT	1							
8	2	22512-070140	KEY, 7X 14	1							
9	1	26106-080162	BOLT, M8X 16 PLATED	2							
10	1	123900-25060	SHAFT, IDLE GEAR	1							
11	1	129900-25100	GEAR ASSY, IDLE	1							
14	2	129150-25920	BUSH, IDLE GEAR	1							1
15	1	26106-080552	BOLT, M8X 55 PLATED	3							
16	1	129953-25300	BOLT	4							
17	1	129907-25900	GEAR, PUMP	1							
18	1	158563-51150	FLANGE	1							
19	1	22217-180000	WASHER, SPRING 18	1							
20	1	26776-180002	NUT, LOCK M18	1							

Remarks  
(1) REPAIR PART.

Fig.8. CRANKSHAFT & PISTON



(A)=4TNV94L-NCKSK  
(B)=  
(C)=

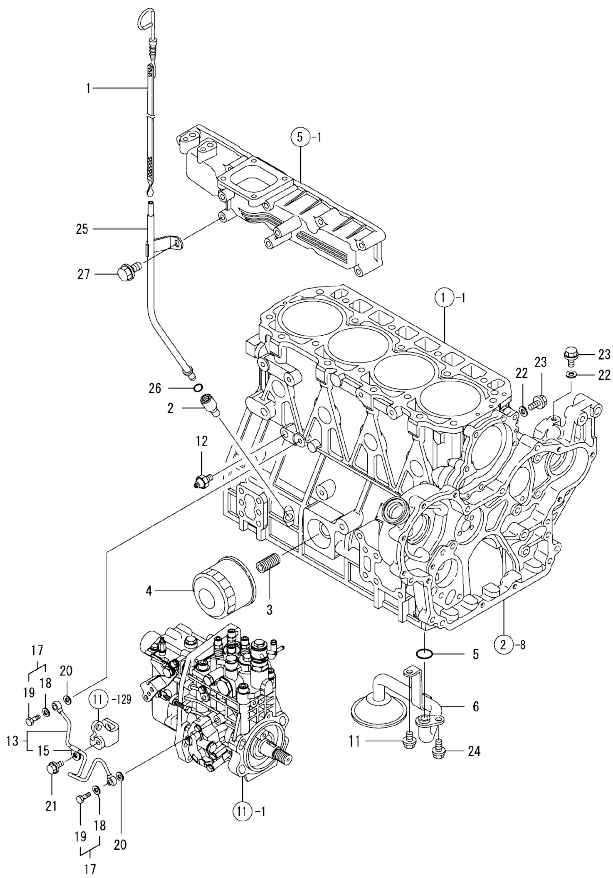
(D)=  
(E)=  
(F)=

No.	Lev.	Parts No.	Description	Q'ty						I	R
				(A)	(B)	(C)	(D)	(E)	(F)		
1	1	129902-21000	CRANKSHAFT ASSY	1							
4	2	129900-21200	GEAR, CRANKSHAFT	1							
5	2	121850-21290	PIN	1							
6	2	121850-21920	PIN, PARALLEL 10X22	1							
7	2	22512-070140	KEY, 7X 14	1							
8	1	129960-21640	WASHER	1							
8-1	1	129960-21940	WASHER, V-PULLEY	1							N
(A=EG2421)											
9	1	129916-21670	PULLEY, DAMPER	1							
10	1	121850-21680	BOLT	1							
10-1	1	129916-21610	BOLT, V-PULLEY	1							N
(A=EG2421)											
11	1	121850-21130	BOLT, FLYWHEEL	6							
12	1	129916-21570	FLYWHEEL ASSY	1							
14	2	129900-21600	GEAR, RING	1							
15	1	129906-22080	PISTON ASSY	4							F 4
15-1	1	129906-22090	PISTON ASSY	4							
(A=E76974)											
17	2	129906-22050	RING SET, PISTON	4							
21	1	120130-22301	PIN, PISTON	4							
22	1	22252-000300	RING, 30	8							
23	1	129900-23001	ROD ASSY, CONNECTING	4							
27	2	129900-23911	BEARING, PISTON PIN	4							1
28	2	129900-23200	BOLT, CONNECTING ROD	8							
29	2	129900-23600	BEARING, CRANK PIN	4							
31	1	129900-23610	BEARING ASSY, 0.25US	4							2
33	1	129906-22900	PISTON ASSY, 0.25 OS	4							3
33-1	1	129906-22910	PISTON ASSY, 0.25 OS	4							F 3
(A=E76974)											
35	2	129916-22950	RING SET, PISTON .25	4							3
39	1	129916-21460	FLANGE	1							
40	1	26106-080222	BOLT, M8X 22 PLATED	4							
41	1	24341-000530	O-RING, 1AS53.0	1							
41-1	1	129960-21930	GASKET, WASHER	1							N
(A=EG2421)											

Remarks

- (1) Repair part.
- (2) Under-sized (U.S.=0.25) part.
- (3) Over-sized (O.S.=0.25) part.
- (4) Ref. No.15 is interchangeable with a set of Ref. No.15-1 and Fig.1 Ref. No.32-2.

Fig.9. LUB. OIL SYSTEM



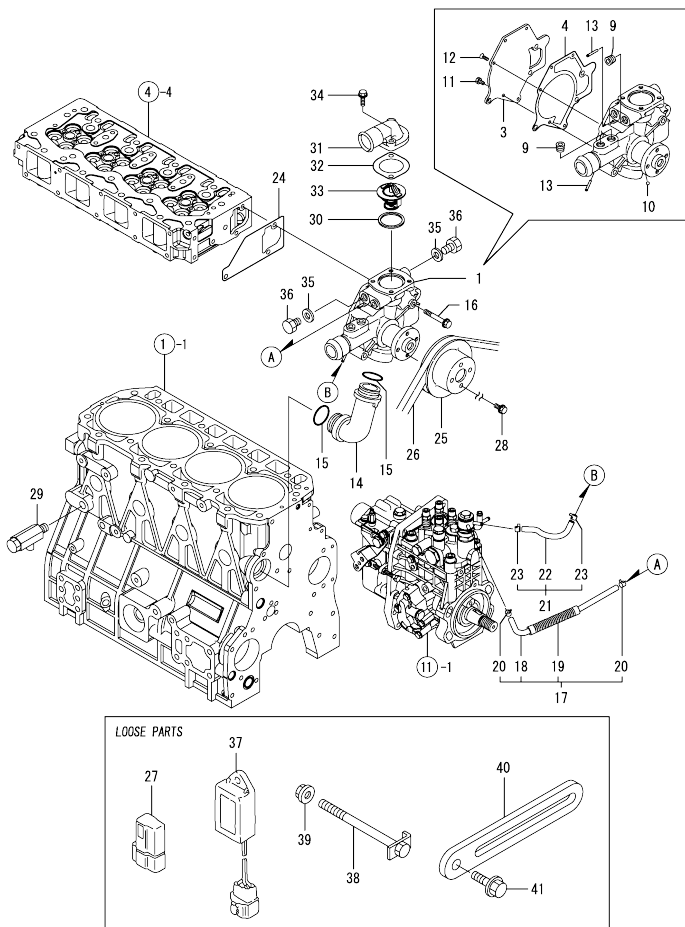
(A)=4TNV94L-NCKSK  
(B)=  
(C)=

(D)=  
(E)=  
(F)=

No.	Lev.	Parts No.	Description	Q'ty						I	R
				(A)	(B)	(C)	(D)	(E)	(F)		
1	1	129906-34811	DIPSTICK, OIL	1							
2	1	119260-34810	GUIDE, DIPSTICK	1							
3	1	119000-35140	BOLT, FILTER	1							
4	1	119005-35151	FILTER, D80X100L	1							1
5	1	129900-32030	O-RING, P20	1							
6	1	129930-35000	PIPE ASSY, OIL INLET	1							
11	1	26106-080122	BOLT, M8X 12 PLATED	1							
12	1	121252-39450	SWITCH, 0.5KG	1							
13	1	129907-39061	PIPE ASSY, OIL	1							
15	2	123907-39500	RETAINER	1							
17	1	129005-59830	BOLT ASSY, JOINT M8	2							
18	2	22190-080002	WASHER, SEAL 6	2							
19	2	23857-030000	BOLT, JOINT 3	2							
20	1	22190-080002	WASHER, SEAL 6	2							
21	1	26106-080122	BOLT, M8X 12 PLATED	1							
22	1	22190-080002	WASHER, SEAL 6	2							
23	1	26106-080122	BOLT, M8X 12 PLATED	2							
24	1	26106-080122	BOLT, M8X 12 PLATED	1							
25	1	129940-34840	GUIDE, DIPSTICK	1							
26	1	24311-240100	O-RING, 1AP10A	1							
27	1	26106-080162	BOLT, M8X 16 PLATED	1							

Remarks  
(1) REPAIR PART.

Fig.10. COOLING WATER SYSTEM



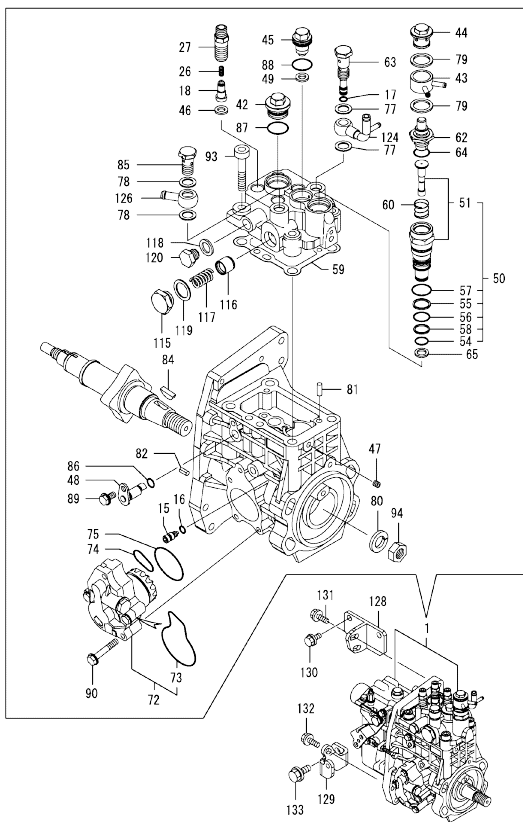
(A)=4TNV94L-NCKSK  
(B)=  
(C)=

(D)=  
(E)=  
(F)=

No.	Lev.	Parts No.	Description	Qty						I	R
				(A)	(B)	(C)	(D)	(E)	(F)		
1	1	129907-42051	PUMP ASSY, WATER	1							
3	2	129900-42161	COVER	1							
4	2	129900-42170	GASKET	1							
9	2	23876-030000	PLUG, R03	3							
10	2	24190-080001	BALL, STEEL 1/4	1							
11	2	26116-060162	BOLT, M6X 16 PLATED	2							
12	2	26577-060142	SCREW M 6X 14	3							
13	2	119802-49113	JOINT, PIPE	2							
14	1	129900-42070	PIPE, WATER	1							
15	1	129900-42140	O-RING, P36	2							
16	1	26106-080552	BOLT, M8X 55 PLATED	3							
17	1	129907-49610	HOSE ASSY, WATER	1							
18	2	129907-49710	PIPE ASSY, WATER	1							
19	2	129907-49750	TUBE, CORRUGATED	1							
20	2	124722-59050	CLIP, HOSE 9	2							
21	1	129962-49620	HOSE ASSY, WATER	1							
22	2	129962-49720	PIPE ASSY, WATER	1							
23	2	124722-59050	CLIP, HOSE 9	2							
24	1	129900-42061	GASKET, WATER PUMP	1							
25	1	129930-42400	V-PULLEY	1							
26	1	25132-004600	V-BELT, A46	1							
27	1	119643-66900	DIODE	1							
28	1	26106-080102	BOLT, M8X 10 PLATED	4							
29	1	119620-49290	COCK ASSY, 1/4	1							
30	1	121850-49550	GASKET, THERMOSTAT	1							
31	1	129900-49551	COVER, THERMOSTAT	1							
32	1	129900-49560	GASKET	1							
33	1	121850-49800	THERMOSTAT, 82	1							
34	1	26106-080252	BOLT, M8X 25 PLATED	2							
35	1	124465-44950	GASKET, 16	2							
36	1	121450-42450	PLUG, M16	2							
37	1	129211-77920	TIMER	1							
38	1	129136-77251	BOLT, M8X110	1							
39	1	129612-77260	NUT, ALTERNATOR	1							
40	1	129900-77330	ADJUSTER	1							
41	1	26014-080252	BOLT, M8X 25	1							

N:Old  $\frac{100}{100}$  New, Q:Old  $\frac{100}{100}$  New, R:Old  $\frac{100}{100}$  New, S:Old  $\frac{100}{100}$  New, W:Add, Z:Discontinued, F:Interchangeable by set, K:Qty Change  
Copyright (C) YANMAR GLOBAL CS CO., LTD. All Rights Reserved.

Fig.11. FUEL INJECTION PUMP



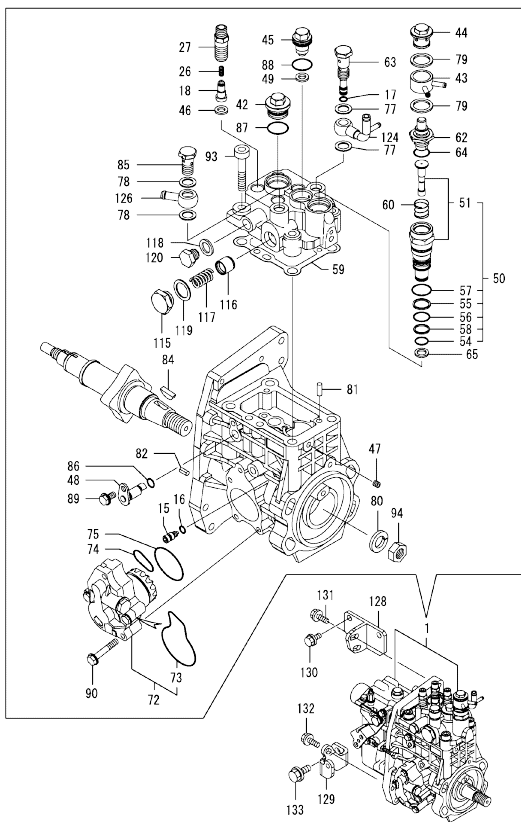
Remarks  
 (1) GOVERNOR ASSY(FIG.12) IS  
 INCORPORATED IN THIS FOP.CMP  
 (REF.NO.1).

No.	Lev.	Parts No.	Description	Q'ty						I	R
				(A)	(B)	(C)	(D)	(E)	(F)		
1	1	729906-51340	PUMP ASSY, INJECTION	1							1
15	2	158600-51270	STOPPER, TAPPET	1							
16	2	158563-51281	O-RING, 4D S6	1							
17	2	158563-51281	O-RING, 4D S6	1							
18	2	158560-51300	VALVE ASSY, DELIVERY	4							
26	2	158563-51330	SPRING, DELIVERY	4							
27	2	158560-51340	HOLDER, DELIVERY	4							
42	2	158601-51550	PLUG	1							
43	2	158553-51551	JOINT	1							
44	2	158601-51570	PLUG	1							
45	2	129907-51560	PLUG, BARREL	1							
46	2	158552-51570	GASKET	4							
47	2	158557-51570	PLUG	1							
48	2	158552-51580	LIFTER	1							
49	2	129906-51580	GASKET	1							
50	2	119802-51590	TIMER SET	1							
51	3	119802-51600	TIMER ASSY	1							
54	3	158553-51670	O-RING, 1011	1							
55	3	119802-51680	RING, BACK UP	1							
56	3	119802-51690	O-RING	1							
57	3	24356-010200	O-RING, 4D1020	1							
58	3	24372-000150	RING, BACK UP T2P15	1							
59	2	158560-51600	GASKET	1							
60	2	158553-51630	SPRING, TIMER	1							
62	2	158553-51640	ELEMENT	1							
63	2	158601-51650	JOINT, OVER FLOW	1							
64	2	158553-51660	O-RING, P14	1							
65	2	158553-51680	GASKET	1							
72	2	158552-52100	PUMP ASSY, FUEL FEED	1							
73	3	158552-52500	O-RING	1							
74	2	158552-52310	O-RING	1							
75	2	158552-52400	O-RING, 4E S42	1							
77	2	22190-120002	WASHER, SEAL 12	2							
78	2	22190-120002	WASHER, SEAL 12	2							
79	2	22190-180002	WASHER, SEAL 18	2							
80	2	22217-180000	WASHER, SPRING 18	1							
81	2	22312-050140	PIN, PARALLEL M5X14	2							
82	2	22351-050010	PIN, SPRING 5.0X10	2							
84	2	144626-51090	KEY, 5X19	1							
85	2	23857-060000	BOLT, JOINT 6	1							
86	2	24311-000070	O-RING, 1AP7.0	1							
87	2	24356-010200	O-RING, 4D1020	1							
88	2	24356-020210	O-RING, 4D2021	1							
89	2	26106-060102	BOLT, M6X 10 PLATED	1							
90	2	26106-060352	BOLT, M6X 35 PLATED	4							
93	2	26450-100452	BOLT, M10X 45	4							
94	2	26776-180002	NUT, LOCK M18	1							
115	2	158601-51790	PLUG	1							
116	2	158601-51770	PISTON	1							
117	2	158552-51780	SPRING	1							
118	2	22190-120002	WASHER, SEAL 12	1							

N:Old  $\frac{New}{Old}$  New, Q:Old  $\frac{New}{Old}$  New, R:Old  $\frac{New}{Old}$  New, S:Old  $\frac{New}{Old}$  New, W:Add, Z:Discontinued, F:Interchangeable by set, K:Q'ty Change  
 ++ CONTINUE ++  
 Copyright (C) YANMAR GLOBAL CS CO., LTD. All Rights Reserved.



Fig.11. FUEL INJECTION PUMP



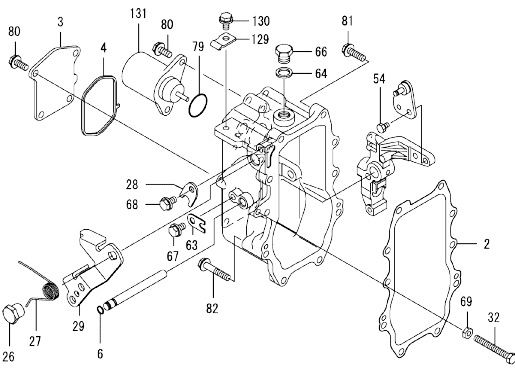
(A)=4TNV94L-NCKSK  
(B)=  
(C)=

(D)=  
(E)=  
(F)=

No.	Lev.	Parts No.	Description	Q'ty						I	R
				(A)	(B)	(C)	(D)	(E)	(F)		
119	2	22190-180002	WASHER, SEAL 18	1							
120	2	23887-120002	PLUG, 12	1							
124	2	158552-51670	JOINT, OVER FLOW	1							
126	2	129916-59020	JOINT, PIPE 12	1							
128	1	129907-01950	RETAINER	1							
129	1	129907-01960	RETAINER	1							
130	1	26106-080162	BOLT, M8X 16 PLATED	2							
131	1	26106-080222	BOLT, M8X 22 PLATED	2							
132	1	26106-080222	BOLT, M8X 22 PLATED	1							
133	1	26106-100202	BOLT, M10X 20 PLATED	1							

Remarks  
(1) GOVERNOR ASSY(FIG.12) IS  
INCORPORATED IN THIS FOP.CMP  
(REF.NO.1).

Fig.12. GOVERNOR



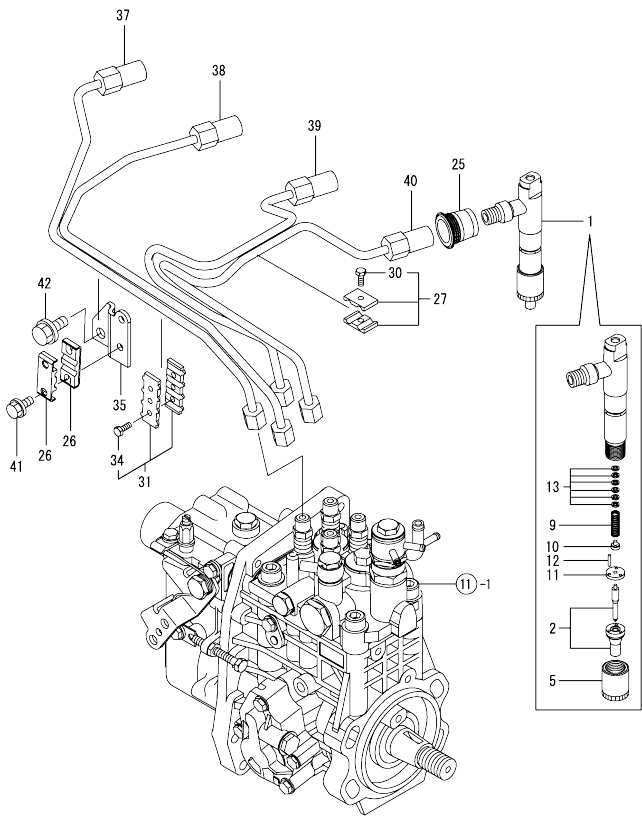
(A)=4TNV94L-NCKSK  
(B)=  
(C)=

(D)=  
(E)=  
(F)=

No.	Lev.	Parts No.	Description	Q'ty						I	R
				(A)	(B)	(C)	(D)	(E)	(F)		
2	2	158560-61050	GASKET	1							
3	2	158560-61061	COVER, GOVERNOR CASE	1							
4	2	158560-61071	GASKET	1							
6	2	129155-51280	O-RING, S6	1							
26	2	129255-61410	NUT, LOCK	1							
27	2	123944-61420	SPRING	1							
28	2	158560-61430	RETAINER, SHAFT	1							
29	2	158560-61441	LEVER, REGULATOR	1							
32	2	129155-61460	BOLT, IDLE	1							
54	2	26116-060102	BOLT, M6X 10 PLATED	1							
63	2	119660-61901	RETAINER, SHAFT	1							
64	2	22190-160002	WASHER, SEAL 16	1							
66	2	23887-160002	PLUG, 16	1							
67	2	26106-060102	BOLT, M6X 10 PLATED	1							
68	2	26106-060102	BOLT, M6X 10 PLATED	1							
69	2	26756-060002	NUT, LOCK M6	1							
79	2	24341-000280	O-RING, 1AS28.0	1							
79-1	2	158552-61900	O-RING	1							N
(A=EXXXXX)											
80	2	26106-060142	BOLT, M6X 14 PLATED	6							
81	2	26106-060252	BOLT, M6X 25 PLATED	8							
82	2	26106-060402	BOLT, M6X 40 PLATED	2							
129	2	123944-61430	RETAINER	1							
130	2	26106-060102	BOLT, M6X 10 PLATED	1							
131	2	119233-77932	SOLENOID, STOP	1							

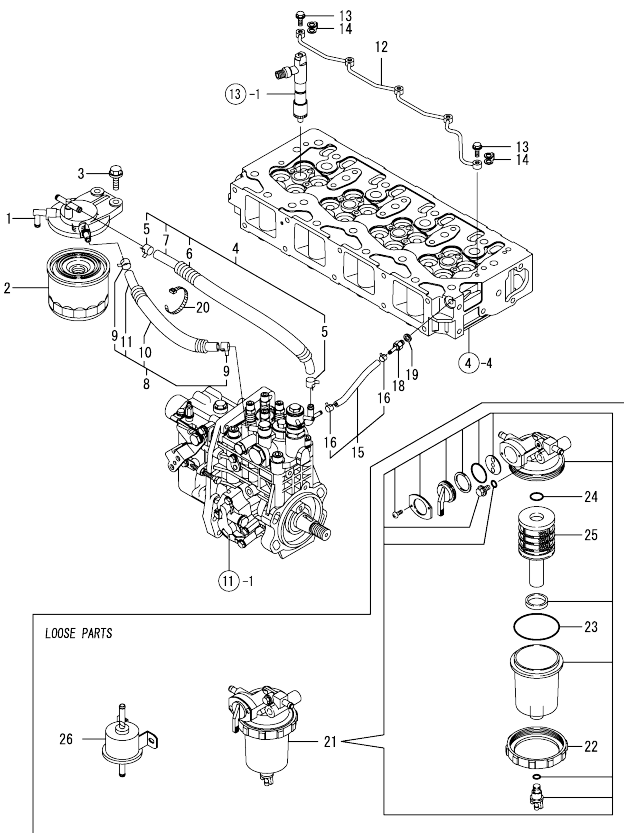
Remarks  
\* THIS FIGURE(GOVERNOR ASSY)IS  
INCORPORATED IN THE FUEL INJECTION  
PUMP ASSY(FIG.11).

Fig.13. FUEL INJECTION VALVE



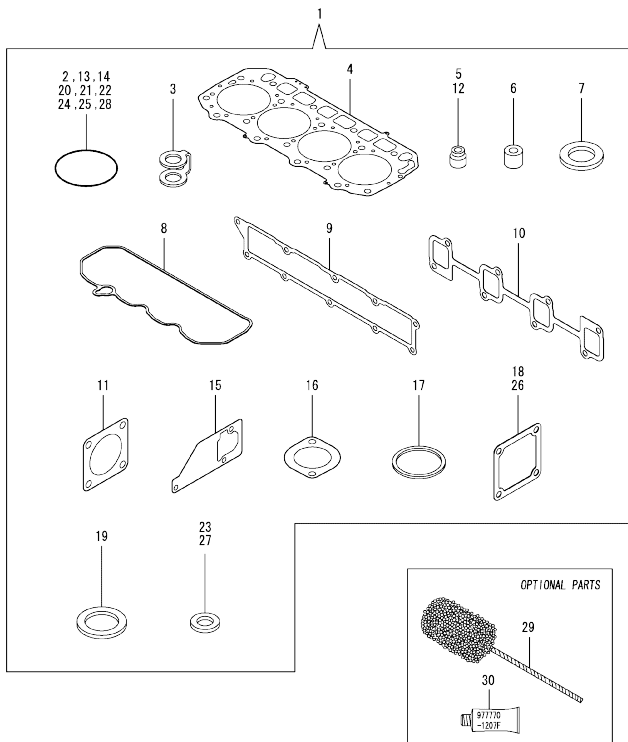
No.	Lev.	Parts No.	Description	Q'ty						I	R
				(A)	(B)	(C)	(D)	(E)	(F)		
1	1	729906-53100	VALVE ASSY,INJECTION	4							
2	2	129906-53000	VALVE ASSY,INJECTION	4							
5	2	114250-53080	NUT, NOZZLE D16.95	4							
9	2	114250-53120	SPRING, NOZZLE	4							
10	2	114250-53130	SEAT, SPRING	4							
11	2	114250-53140	PLATE	4							
12	2	114250-53210	PIN	8							
13	2	114250-53400	SHIM SET	4							
25	1	123907-11601	SEAL	4							
26	1	122780-59100	RETAINER	2							
27	1	119305-59120	RETAINER, PIPE	1							
30	2	129150-59131	BOLT, M4X14	1							
31	1	129550-59120	RETAINER, PIPE	1							
34	2	129150-59131	BOLT, M4X14	2							
35	1	129907-59710	SUPPORT	1							
37	1	129907-59810	PIPE ASSY, INJECTION	1							
38	1	129906-59820	PIPE ASSY, INJECTION	1							
39	1	129906-59830	PIPE ASSY, INJECTION	1							
40	1	129906-59840	PIPE ASSY, INJECTION	1							
41	1	26106-060162	BOLT, M6X 16 PLATED	2							
42	1	26106-080182	BOLT, M8X 18 PLATED	1							

Fig.14. FUEL LINE



No.	Lev.	Parts No.	Description	Q'ty						I	R
				(A)	(B)	(C)	(D)	(E)	(F)		
1	1	129004-55611	BRACKET, FILTER	1							
2	1	119802-55800	FILTER, FUEL	1							
3	1	26106-080302	BOLT, M8X 30 PLATED	2							
4	1	129457-59010	PIPE ASSY, FUEL	1							
5	2	124766-59050	CLIP, HOSE 12	2							
6	2	129957-59120	TUBE, CORRUGATED	1							
7	2	105025-59750	PIPE, FUEL	1							
8	1	129981-59010	PIPE ASSY, FUEL	1							
9	2	124766-59050	CLIP, HOSE 12	2							
10	2	129950-59221	TUBE, CORRUGATED	1							
11	2	129980-59510	PIPE, FUEL	1							
12	1	129907-59140	PIPE ASSY, RETURN	1							
13	1	123907-59540	BOLT, PIPE JOINT M6	5							
14	1	123907-59550	GASKET	5							
15	1	129486-59551	PIPE ASSY, RETURN	1							
16	2	124722-59050	CLIP, HOSE 9	2							
18	1	123907-59560	JOINT	1							
19	1	22190-080002	WASHER, SEAL 6	1							
20	1	121750-59890	BAND, 140	1							
21	1	119802-55700	SEPARATOR ASSY	1							
22	2	129100-55690	RING, RETAINING	1							
23	2	24321-000650	O-RING, 1AG65.0	1							
24	2	24311-000160	O-RING, 1AP16.0	1							
25	2	119802-55710	ELEMENT	1							
26	1	129612-52100	PUMP ASSY, FUEL FEED	1							

Fig.15. GASKET SET



(A)=4TNV94L-NCKSK  
(B)=  
(C)=

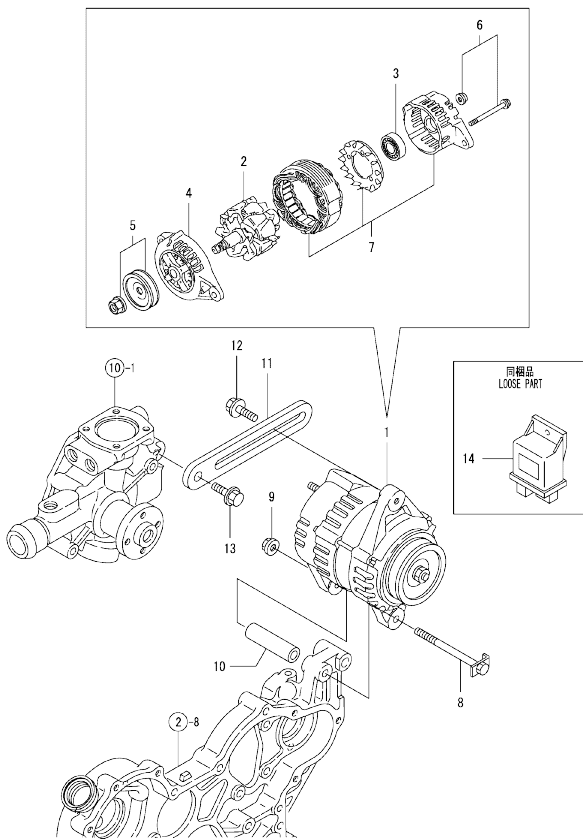
(D)=  
(E)=  
(F)=

No.	Lev.	Parts No.	Description	Qty						I	R	
				(A)	(B)	(C)	(D)	(E)	(F)			
1	1	729906-92660	GASKET SET	1							1	
1-1	1	129906-92640	GASKET SET	1							N	1
(A=2009.12)												
2	2	129900-42140	O-RING, P36	2								
3	2	123907-59550	GASKET	5								
4	2	129906-01340	GASKET, HEAD	1								
4-1	2	129906-01350	GASKET, HEAD	1							N	
(A=2009.12)												
5	2	124160-11340	SEAL, VALVE STEM	8								
6	2	119802-11870	PROTECTOR, NOZZLE	4								
7	2	119625-11880	SEAT, NOZZLE	4								
8	2	129907-11310	GASKET, BONNET	1								
9	2	129907-12110	GASKET, MANIFOLD	1								
10	2	129900-13251	GASKET	1								
11	2	128300-13230	GASKET, SILENCER	1								
12	2	124950-11340	SEAL, VALVE STEM	8								
13	2	129900-32030	O-RING, P20	2								
14	2	129900-32040	O-RING, P14	1								
15	2	129900-42061	GASKET, WATER PUMP	1								
16	2	129900-49560	GASKET	1								
17	2	121850-49550	GASKET, THERMOSTAT	1								
18	2	121850-77021	GASKET	1								
19	2	124465-44950	GASKET, 16	2								
20	2	24311-000070	O-RING, 1AP7.0	1								
21	2	24311-000120	O-RING, 1AP12.0	8								
22	2	24311-000320	O-RING, 1AP32.0	2								
23	2	22190-080002	WASHER, SEAL 6	7								
24	2	24341-000530	O-RING, 1AS53.0	1								
25	2	24351-030750	O-RING, 1A3075	1								
26	2	119129-77020	GASKET	1								
27	2	22190-220002	WASHER, SEAL 22	1								
28	2	24311-240100	O-RING, 1AP10A	1								
29	1	129400-92440	HONE	1								1
30	1	977770-1207F	GASKET, LIQUID	1								1

Remarks  
(1) OPTIONAL PARTS.

N:Old  $\frac{YES}{NO}$  New, Q:Old  $\frac{YES}{NO}$  New, R:Old  $\frac{YES}{NO}$  New, S:Old  $\frac{YES}{NO}$  New, W:Add, Z:Discontinued, F:Interchangeable by set, K:Qty Change  
Copyright (C) YANMAR GLOBAL CS CO., LTD. All Rights Reserved.

Fig.16. GENERATOR



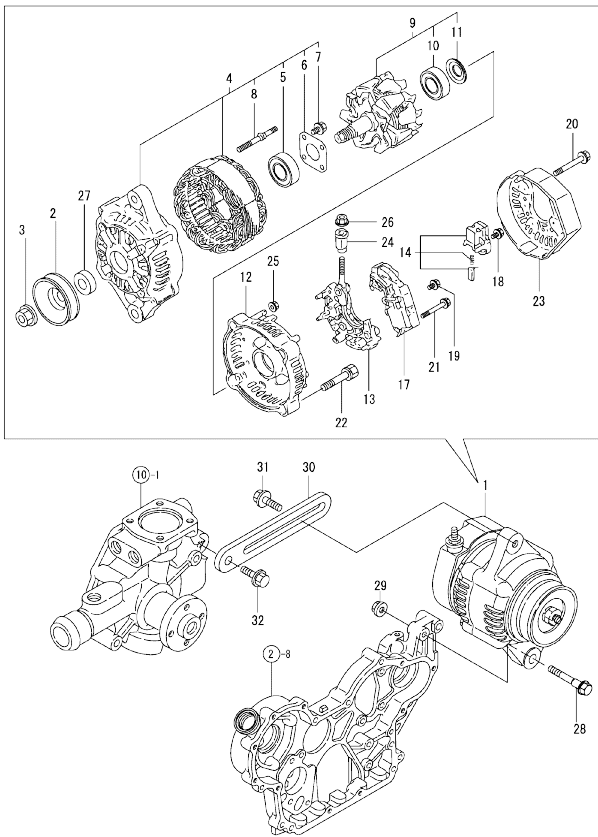
(A)=4TNV94L-NCKSK  
(B)=  
(C)=

(D)=  
(E)=  
(F)=

No.	Lev.	Parts No.	Description	Q'ty						I	R
				(A)	(B)	(C)	(D)	(E)	(F)		
1	1	129930-77212	GENERATOR ASSY, 40A	1							
2	2	129612-77700	ROTOR ASSY	1							
3	2	129612-77710	BEARING, BALL	1							
4	2	129612-77730	BRACKET ASSY, FILTER	1							
5	2	129930-77740	PULLEY, GENERATOR	1							
6	2	129612-77750	SCREW KIT	1							
7	2	129930-77930	BRACKET ASSY	1							
8	1	129136-77251	BOLT, M8X114	1							
9	1	129612-77260	NUT, ALTERNATOR	1							
10	1	129150-77340	SPACER	1							
11	1	129900-77330	ADJUSTER, BELT	1							
12	1	119810-77340	BOLT, ADJUST L=30	1							
13	1	26014-080252	BOLT, M8X 25	1							
14	1	129930-77970	CONTROLLER	1							

Remarks  
\*This item is applicable to  
[(A)=EZZZZ-1] or previous machines.  
Refer to Fig.17.

Fig.17. (16A)GENERATOR



(A)=4TNV94L-NCKSK  
(B)=  
(C)=

(D)=  
(E)=  
(F)=

No.	Lev.	Parts No.	Description	Q'ty						I	R
				(A)	(B)	(C)	(D)	(E)	(F)		
1	1	129961-77200	GENERATOR ASSY, 55A	1							
2	2	119620-77461	PULLEY, GENERATOR	1							
3	2	119620-77471	NUT	1							
4	2	129961-77421	FRAME ASSY	1							
5	3	119620-79200	BEARING, BALL	1							
6	3	119620-79210	RETAINER	1							
7	3	119620-79220	SCREW	4							
8	3	119620-79230	BOLT, STUD	2							
9	2	129052-77380	ROTOR ASSY	1							
10	3	123501-79240	BEARING, BALL	1							
11	3	119620-79250	COVER, BEARING	1							
12	2	128401-77440	COVER	1							
13	2	129052-79260	HOLDER	1							
14	2	129052-79270	HOLDER, BRUSH	1							
17	2	119620-77710	REGULATOR ASSY	1							
18	2	119620-79290	SCREW	6							
19	2	119620-79300	SCREW	1							
20	2	119620-79310	BOLT	3							
21	2	119620-79320	SCREW	2							
22	2	119620-79330	BOLT	2							
23	2	128401-77450	COVER, GENERATOR	1							
24	2	119620-79340	BUSH, INSULATION	1							
25	2	119620-79350	NUT	2							
26	2	X9490561001	NUT	1							
27	2	119620-77490	COLLAR	1							
28	1	129960-77250	BOLT, GENERATOR	1							
29	1	129612-77260	NUT, ALTERNATOR	1							
30	1	129900-77330	ADJUSTER, BELT	1							
31	1	119810-77340	BOLT, ADJUST L=30	1							
32	1	26014-080252	BOLT, M8X 25	1							

Remarks  
\*This item is applicable to  
[(A)=EZZZZ]or following machines.  
Refer to Fig.16.

## Parts No. Index

Parts No.	Fig. No.	Ref. No.
105025-59750	14	7
114250-53080	13	5
114250-53120	13	9
114250-53130	13	10
114250-53140	13	11
114250-53210	13	12
114250-53400	13	13
119000-35140	9	3
119005-35151	9	4
119005-77050	5	7
119107-13190	6	1
119129-77020	5	5
	15	26
119129-77520	5	8
119233-77932	12	131
119260-34810	9	2
119305-59120	13	27
119593-11301	4	28
119620-11180	4	17
119620-49290	10	29
119620-77461	17	2
119620-77471	17	3
119620-77490	17	27
119620-77710	17	17
119620-79200	17	5
119620-79210	17	6
119620-79220	17	7
119620-79230	17	8
119620-79250	17	11
119620-79290	17	18
119620-79300	17	19
119620-79310	17	20
119620-79320	17	21
119620-79330	17	22
119620-79340	17	24
119620-79350	17	25
119625-11880	4	26
	15	7
119640-01640	3	8
119640-61400	4	61
119643-66900	10	27
119660-61901	12	63
119802-11870	4	68
	15	6
119802-49113	10	13
119802-51590	11	50
119802-51600	11	51
119802-51680	11	55
119802-51690	11	56
119802-55700	14	21

Parts No.	Fig. No.	Ref. No.
119802-55710	14	25
119802-55800	14	2
119810-77340	16	12
	17	31
120130-22301	8	21
121252-39450	9	12
121450-42450	10	36
121750-59890	14	20
121850-21130	8	11
121850-21290	8	5
121850-21680	8	10
121850-21920	8	6
121850-49550	10	30
	15	17
121850-49800	10	33
121850-77021	5	6
	15	18
122780-59100	13	26
123501-79240	17	10
123900-13610	6	4
123900-13630	6	5
123900-25060	7	10
123907-03100	4	54
123907-03110	4	55
123907-03120	4	56
123907-03140	4	57
123907-11280	4	33
123907-11550	4	3
123907-11601	13	25
123907-11820	4	10
123907-11830	4	23
123907-39500	9	15
123907-59540	14	13
123907-59550	14	14
	15	3
123907-59560	14	18
123944-61420	12	27
123944-61430	12	129
124160-01751	2	35
	4	49
124160-11340	4	18
	15	5
124160-11360	4	64
124411-01780	3	6
124465-44950	10	35
	15	19
124722-59050	10	20
		23
	14	16
124766-59050	14	5

Parts No.	Fig. No.	Ref. No.
124766-59050	14	9
124950-11340	4	19
	15	12
128300-13230	6	7
	15	11
128401-77440	17	12
128401-77450	17	23
129001-91810	2	24
		25
129004-55611	14	1
129005-59830	9	17
129052-77380	17	9
129052-79260	17	13
129052-79270	17	14
129100-01580	2	5
	3	1
129100-55690	14	22
129136-77251	10	38
	16	8
129150-02450	7	4
129150-11230	4	36
		40
129150-11750	4	22
		37
		41
129150-14200	7	1
129150-25920	7	14
129150-59131	13	30
		34
129150-77340	16	10
129155-51280	12	6
129155-61460	12	32
129211-77920	10	37
129255-61410	12	26
129400-92440	15	29
129457-59010	14	4
129486-59551	14	15
129550-59120	13	31
129612-52100	14	26
129612-77260	10	39
	16	9
	17	29
129612-77700	16	2
129612-77710	16	3
129612-77730	16	4
129612-77750	16	6
129900-01200	1	31
129900-01250	1	5
129900-01740	2	6
129900-01780	2	4

Parts No.	Fig. No.	Ref. No.
129900-01850	2	39
129900-01870	2	40
129900-02020	1	7
129900-02340	1	34
129900-02410	1	10
129900-02930	1	28
129900-02940	1	37
129900-07900	4	1
129900-13251	6	3
	15	10
129900-14100	7	7
129900-21200	8	4
129900-21600	8	14
129900-23001	8	23
129900-23200	8	28
129900-23600	8	29
129900-23610	8	31
129900-23911	8	27
129900-25100	7	11
129900-32001	2	11
129900-32030	2	22
	9	5
	15	13
129900-32040	2	23
	15	14
129900-42061	10	24
	15	15
129900-42070	10	14
129900-42140	10	15
	15	2
129900-42161	10	3
129900-42170	10	4
129900-49551	10	31
129900-49560	10	32
	15	16
129900-77330	10	40
	16	11
	17	30
129902-21000	8	1
129906-01340	1	32
	15	4
129906-01350	1	32 -2
	15	4 -1
129906-01500	2	8
129906-22050	8	17
129906-22080	8	15
129906-22090	8	15 -1
129906-22900	8	33
129906-22910	8	33 -1
129906-34811	9	1



## Parts No. Index

Parts No.	Fig. No.	Ref. No.
129906-51580	11	49
129906-53000	13	2
129906-59820	13	38
129906-59830	13	39
129906-59840	13	40
129906-92640	15	1 -1
129907-01190	1	33
129907-01331	1	32 -1
129907-01950	11	128
129907-01960	11	129
129907-03011	4	51
129907-03061	4	52
129907-03070	4	53
129907-11100	4	14
129907-11110	4	15
129907-11120	4	16
129907-11250	4	30
129907-11260	4	31
129907-11270	4	32
129907-11310	4	60
	15	8
129907-11320	4	50
129907-11341	4	29
129907-11510	4	20
129907-11650	4	34
129907-11660	4	38
129907-11700	4	4
129907-11800	4	8
129907-11910	4	67
129907-11920	4	42
129907-11950	4	47
129907-12100	5	1
129907-12110	5	2
	15	9
129907-14400	7	2
129907-14581	7	3
129907-25900	7	17
129907-39061	9	13
129907-42051	10	1
129907-49610	10	17
129907-49710	10	18
129907-49750	10	19
129907-51560	11	45
129907-59140	14	12
129907-59710	13	35
129907-59810	13	37
129908-14581	7	3 -1
129916-01630	3	2
129916-13210	6	2
129916-21460	8	39

Parts No.	Fig. No.	Ref. No.
129916-21570	8	12
129916-21610	8	10 -1
129916-21670	8	9
129916-22950	8	35
129916-59020	11	126
129930-01710	3	7
129930-35000	9	6
129930-42400	10	25
129930-77212	16	1
129930-77740	16	5
129930-77930	16	7
129930-77970	16	14
129940-34840	9	25
129950-59221	14	10
129953-25300	7	16
129957-59120	14	6
129960-21640	8	8
129960-21930	8	41 -1
129960-21940	8	8 -1
129960-77250	17	28
129961-77200	17	1
129961-77421	17	4
129962-49620	10	21
129962-49720	10	22
129980-59510	14	11
129981-59010	14	8
144626-51090	11	84
158552-51570	11	46
158552-51580	11	48
158552-51670	11	124
158552-51780	11	117
158552-52100	11	72
158552-52310	11	74
158552-52400	11	75
158552-52500	11	73
158552-61900	12	79 -1
158553-51551	11	43
158553-51630	11	60
158553-51640	11	62
158553-51660	11	64
158553-51670	11	54
158553-51680	11	65
158557-51570	11	47
158560-51300	11	18
158560-51340	11	27
158560-51600	11	59
158560-61050	12	2
158560-61061	12	3
158560-61071	12	4
158560-61430	12	28

Parts No.	Fig. No.	Ref. No.
158560-61441	12	29
158563-51150	7	18
158563-51281	11	16
		17
158563-51330	11	26
158600-51270	11	15
158601-51550	11	42
158601-51570	11	44
158601-51650	11	63
158601-51770	11	116
158601-51790	11	115
171051-01921	1	6
22190-080002	9	18
		20
		22
	14	19
	15	23
22190-120002	11	77
		78
		118
22190-160002	12	64
22190-180002	11	79
		119
22190-220002	3	10
	15	27
22217-180000	7	19
	11	80
22252-000300	8	22
22312-050140	11	81
22351-050010	11	82
22351-060012	1	11
22512-070140	7	8
	8	7
22857-500100	4	62
		63
23857-030000	9	19
23857-060000	11	85
23876-020000	4	11
23876-030000	1	12
		13
		14
	4	12
	10	9
23887-120002	11	120
23887-160002	12	66
24190-080001	10	10
24311-000070	2	26
	11	86
	15	20
24311-000120	4	27

Parts No.	Fig. No.	Ref. No.
24311-000120	4	65
	15	21
24311-000160	14	24
24311-000320	2	38
	4	66
	15	22
24311-240100	9	26
	15	28
24321-000650	14	23
24341-000280	12	79
24341-000530	8	41
	15	24
24351-030750	2	27
	15	25
24356-010200	11	57
		87
24356-020210	11	88
24372-000150	11	58
25132-004600	10	26
26014-080252	10	41
	16	13
	17	32
26106-060102	11	89
	12	67
		68
		130
26106-060142	12	80
26106-060162	13	41
26106-060252	12	81
26106-060352	11	90
26106-060402	12	82
26106-080102	10	28
26106-080122	3	11
	9	11
		21
		23
		24
26106-080162	2	28
		29
		36
	4	2
	7	9
	9	27
	11	130
26106-080182	13	42
26106-080202	2	30
26106-080222	8	40
	11	131
		132
26106-080252	10	34

## Parts No. Index

Parts No.	Fig. No.	Ref. No.
26106-080302	14	3
26106-080402	2	31
		32
	4	44
	5	9
26106-080452	2	33
26106-080552	5	3
	7	15
	10	16
26106-080602	4	45
		46
26106-080852	5	4
26106-080902	5	10
26106-100202	11	133
26116-060102	12	54
26116-060162	10	11
26206-100202	3	4
26206-100352	3	5
26216-100302	2	10
26226-080222	4	43
26306-080002	4	48
	6	6
26306-100002	2	34
26450-100452	11	93
26577-060142	10	12
26756-060002	12	69
26776-180002	7	20
	11	94
27241-300000	1	15
27241-400000	4	13
27310-070001	4	24
729900-02800	1	25
729906-01560	1	1
729906-51340	11	1
729906-53100	13	1
729906-92660	15	1
729907-01550	2	1
977770-1207F	2	37
	3	3
	4	69
	15	30
X9490561001	17	26

Parts No.	Fig. No.	Ref. No.
-----------	----------	----------

Parts No.	Fig. No.	Ref. No.
-----------	----------	----------

Parts No.	Fig. No.	Ref. No.
-----------	----------	----------