

0CV10-M96801EN

P R E F A C E

1. This parts catalog is the 1st edition of 4TNV94L-PHYBW and 4TNV94L-PHYBY for HYUNDAI HEAVY INDUSTRIES.

Pub.No. : 0CV10-G96801

Published : September , 2008

2. Model name

Engine model	Vehicle	Vehicle made by
4TNV94L-PHYBW 4TNV94L-PHYBY	WHEEL BACKHOE	HYUNDAI HEAVY INDUSTRIES

Directions for the Parts Catalog.

1. This Parts Catalog shows both standard and optional parts.
2. Parts may change without prior notice.
3. The following is an example of the Parts Catalog format.

REF.	LEV.	PARTS NO.	DESCRIPTION	Q'TY						I	R
				(A)	(B)	(C)	(D)	(E)	(F)		
1	1	729595-51390	FUEL INJECTION PUMP	1	1	1	1	1			1
1-1	1	729595-51391	FUEL INJECTION PUMP	1	1	1	1	1		N	1
		(A=E00185) (B=E00200)									
3	2	26022-060162	SCREW M 6X 16	9	9	9	9	9			
3-1	2	26022-060162	SCREW M 6X 16	4	4	4	4	4		K	
		(A=E00156) (B=E00156) (C=E00156) (D=E00156) (E=E00156)									
4	2	129470-51040	CAMSHAFT	1	1	1	1	1			
5	2	122710-51050	BEARING, ROLLER	2	2	2	2	2			
6	2	129470-51060	RETAINER	1	1	1	1	1			

Remarks
(1) BOOST COMPEMSATOR TYPE. OPTIONAL PART, TO E00155,(4JH-DT, 4JH-DTZ

① Ref. No.

The Ref. No. listed may not be in accordance with the illustration Ref. No.

(Ex.) Illustration No.

List Ref No.

1 1 (Before change) → 1-1 (After change)

For interchangeable symbols N, R and K, illustrations for new parts may be abbreviated.

② Lev. (Level)

Level indication

The numbers below indicate the level of relativity towards the main part.

1 ---- Main parts (Assembly parts)

2 ---- Sub component included in " 1 ".

3 ---- Sub component included in " 2 ".

Note) Parts that are not for sale are partially illustrated but not listed.

③ Interchangeability Symbol

When a part change takes place, one of the following interchangeability symbols is indicated beside the part.

Symbol	Interchangeability	Contents note
N	Old $\begin{matrix} \leftarrow \text{Yes} \\ \text{No} \rightarrow \end{matrix}$ New	New Part is interchangeable for Old Part but Old Part is not interchangeable for New Part.
Q	Old $\begin{matrix} \leftarrow \text{No} \\ \text{Yes} \rightarrow \end{matrix}$ New	New Part is not interchangeable for Old Part but Old Part is interchangeable for New Part.
R	Old $\begin{matrix} \leftarrow \text{Yes} \\ \text{Yes} \rightarrow \end{matrix}$ New	New/ Old Parts are both interchangeable.
S	Old $\begin{matrix} \leftarrow \text{No} \\ \text{No} \rightarrow \end{matrix}$ New	New/ Old Parts are both not interchangeable.
W		Part newly added.
Z		Part discontinued.
F		Not interchangeable by a single part but interchangeable together with related parts.
K		Changes only for used parts quantities.

④ Effective Machine No.

When a part changes, the effective Machine No. will be indicated in the (A)-(F) column.

Product Symbol	Product No.	Product Symbol	Product No.
C	Clutch No. Compressor No.	F	Machine No. (Agricultural Equip.)
D	Drive No.	M	Machine No.
E	Engine No.		

Note 1) A date may follow the symbol. (Ex.) 1996.01

Note 2) "XXXXX" and "ZZZZZ" are for parts that could not be predicted or for engine models that could not be identified.

Note 3) (A=E00185) is the E (Engine Serial Number) for the column (A) model (in this case 4JH-DT) after the parts design change.

⑤ Remarks

Figures or alphabets (symbols) are entered in the remarks column.

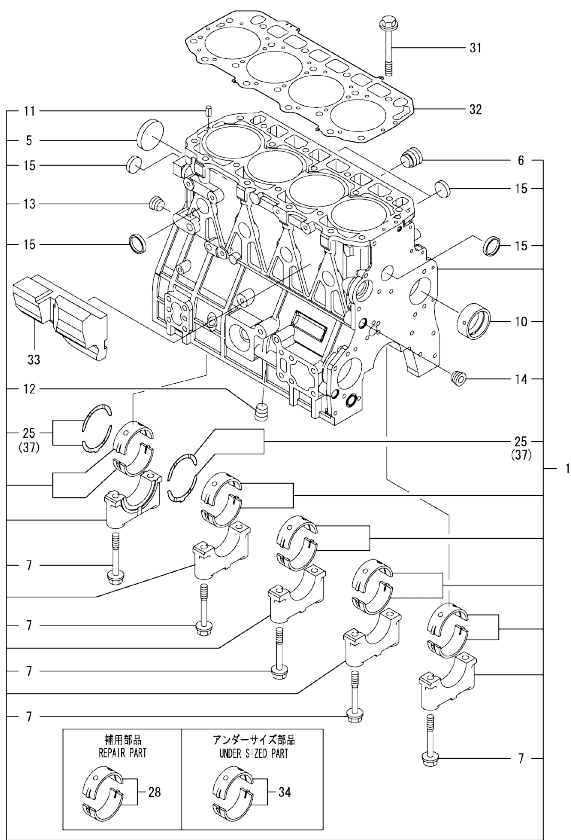
The comments (remarks) on parts that are indicated at the bottom of the illustration are the same symbols as those stated above.

Contents

0CV10-M96801

Fig. No.	Fig. Name	Fig. No.	Fig. Name
4	TNV94L-PHYBW,PHYBY		
1.	CYLINDER BLOCK		
2.	GEAR HOUSING		
3.	FLYWHEEL HOUSING & OIL SUMP		
4.	CYLINDER HEAD & BONNET		
5.	SUCTION MANIFOLD		
6.	EXHAUST MANIFOLD		
7.	CAMSHAFT & DRIVING GEAR		
8.	CRANKSHAFT & PISTON		
9.	LUB. OIL SYSTEM		
10.	COOLING WATER SYSTEM		
11.	FUEL INJECTION PUMP		
12.	GOVERNOR		
13.	FUEL INJECTION VALVE		
14.	FUEL LINE		
15.	STARTING MOTOR		
16.	GENERATOR		
17.	GENERATOR		
18.	GASKET SET		

Fig.1. CYLINDER BLOCK



(A)=4TNV94L-PHYBW
(B)=4TNV94L-PHYBY
(C)=

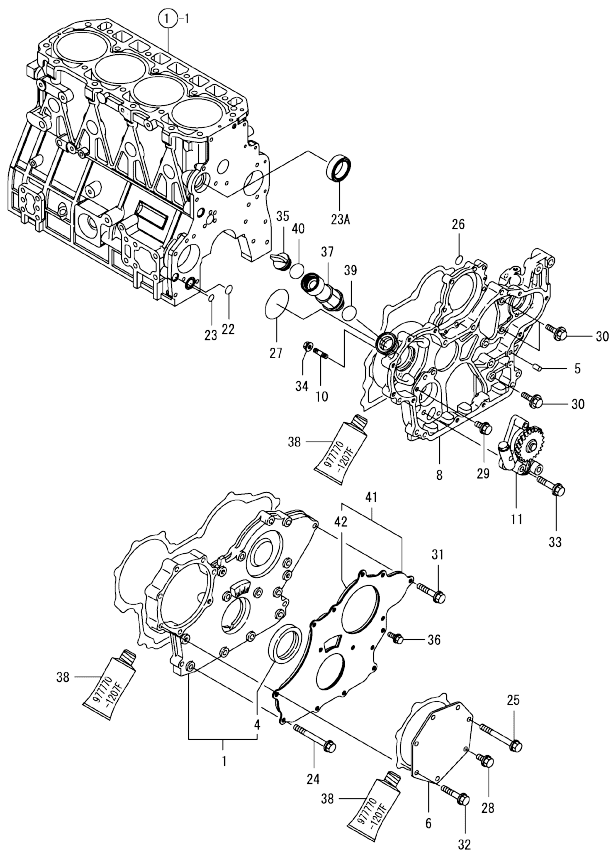
(D)=
(E)=
(F)=

No.	Lev.	Parts No.	Description	Qty						I	R
				(A)	(B)	(C)	(D)	(E)	(F)		
1	1	729906-01560	BLOCK ASSY, CYLINDER	1	1						
5	2	129900-01250	PLUG, DISH TYPE 55	1	1						
6	2	171051-01921	PLUG, NPTF1	1	1						
7	2	129900-02020	BOLT, METAL CAP	10	10						
10	2	129900-02410	BUSH, CAMSHAFT	1	1						
11	2	22351-060012	PIN, SPRING 6.0X12	2	2						
12	2	23876-030000	PLUG, R03	1	1						
13	2	23876-030000	PLUG, R03	1	1						
14	2	23876-030000	PLUG, R03	1	1						
15	2	27241-300000	PLUG 30	8	8						
25	2	129900-02930	BEARING ASSY, THRUST	2							
25-1	2	129900-02931	BEARING ASSY, THRUST	2	2						N
(A=E25657)											
28	1	729900-02800	BEARING, MAIN	5							3
28-1	1	729900-02801	BEARING, MAIN	5	5						N 3
(A=E25657)											
31	1	129900-01200	BOLT, CYLINDER HEAD	18	18						
32	1	129906-01340	GASKET, HEAD	1							
32-1	1	129907-01331	GASKET, HEAD	1	1						N
(A=2008.06.)											
32-2	1	129906-01350	GASKET, HEAD	1	1						N
(A=2009.12) (B=2009.12)											
33	1	129907-01190	SPACER	1	1						
34	1	129900-02340	BEARING ASSY, MAIN	5							1
34-1	1	129900-02341	BEARING ASSY, MAIN	5	5						N 1
(A=E25657)											
37	1	129900-02940	BEARING, THRUST 0.25	2							2
37-1	1	129900-02941	BEARING, THRUST 0.25	2	2						N 2
(A=E25657)											

Remarks

- (1) UNDER-SIZED(U.S=0.25)PART.
- (2) OVER-SIZED(O.S=0.25)PART.
- (3) REPAIR PART.

Fig.2. GEAR HOUSING



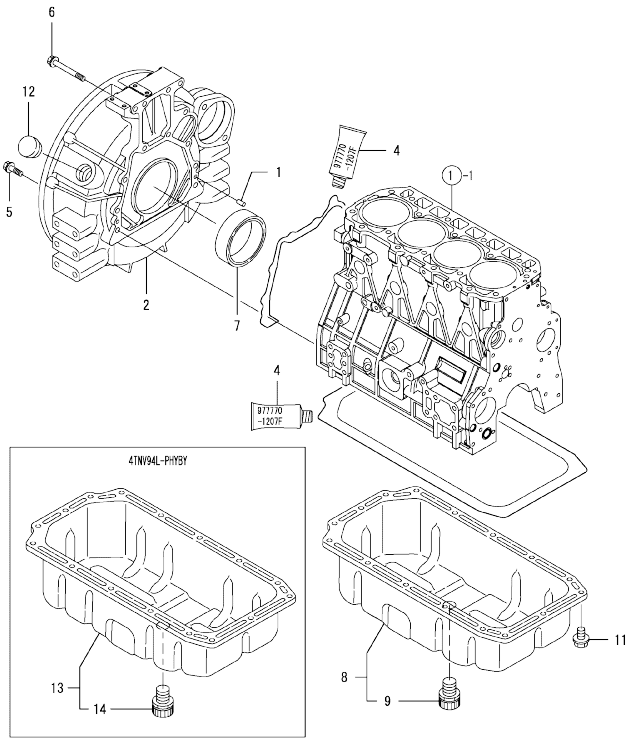
(A)=4TNV94L-PHYBW
(B)=4TNV94L-PHYBY
(C)=

(D)=
(E)=
(F)=

No.	Lev.	Parts No.	Description	Qty						I	R	
				(A)	(B)	(C)	(D)	(E)	(F)			
1	1	729907-01559	COVER ASSY,GEAR CASE	1	1							
4	2	129916-01800	SEAL, OIL	1	1							
5	1	129100-01580	PIN, PARALLEL 8X16	4	4							
6	1	129951-01740	COVER	1	1							
8	1	129944-01500	CASE, GEAR	1	1							
10	1	26216-100302	STUD, M10X 30	4	4							
11	1	129900-32001	PUMP ASSY, OIL	1	1							
22	1	129900-32030	O-RING, P20	1	1							
23	1	129900-32040	O-RING, P14	1	1							
23A	1	129927-42140	GASKET, PUMP OUTLET	1	1							W
(A=2014.09)												
24	1	129001-91810	BOLT, M8X70	6	6							
25	1	129001-91810	BOLT, M8X70	1	1							
26	1	24311-000070	O-RING, 1AP7.0	1	1							
27	1	24351-030750	O-RING, 1A3075	1	1							
28	1	26106-080162	BOLT, M8X 16 PLATED	1	1							
29	1	26106-080162	BOLT, M8X 16 PLATED	1	1							
30	1	26106-080202	BOLT, M8X 20 PLATED	3	3							
31	1	26106-080402	BOLT, M8X 40 PLATED	5	5							
32	1	26106-080402	BOLT, M8X 40 PLATED	5	5							
33	1	26106-080452	BOLT, M8X 45 PLATED	3	3							
34	1	26306-100002	NUT, M10	4	4							
35	1	124160-01751	CAP, FILLER	1	1							
36	1	26106-080162	BOLT, M8X 16 PLATED	3	3							
37	1	171031-11741	PIPE	1	1							
38	1	977770-1207F	GASKET, LIQUID	1	1							1
39	1	24311-000320	O-RING, 1AP32.0	1	1							
40	1	24311-000320	O-RING, 1AP32.0	1	1							
41	1	129900-01850	COVER ASSY,GEAR CASE	1	1							
42	2	129900-01870	SPONGE, GEAR CASE	1	1							

Remarks
(1) OPTIONAL PART.

Fig.3. FLYWHEEL HOUSING & OIL SUMP



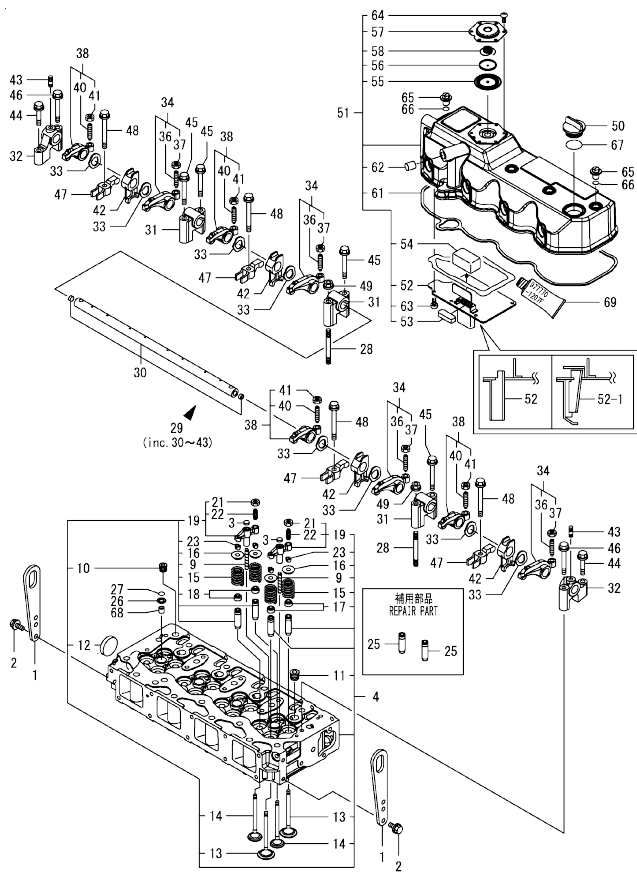
(A)=4TNV94L-PHYBW
(B)=4TNV94L-PHYBY
(C)=

(D)=
(E)=
(F)=

No.	Lev.	Parts No.	Description	Q'ty						I	R
				(A)	(B)	(C)	(D)	(E)	(F)		
1	1	129100-01580	PIN, PARALLEL 8X16	2	2						
2	1	129981-01600	HOUSING, FLYWHEEL	1	1						
4	1	977770-1207F	GASKET,LIQUID	1	1						1
5	1	26206-100352	BOLT, M10X 35 PLATED	9	9						
6	1	26206-100702	BOLT, M10X 70 PLATED	4	4						
7	1	129916-01790	SEAL, D115/95XT11	1	1						
8	1	129906-01720	OIL PAN ASSY	1							
9	2	129906-01640	COCK, DRAIN	1							
11	1	26106-080122	BOLT, M8X 12 PLATED	16	16						
12	1	119620-01750	CAP	1	1						W
(A=FROM 1ST)											
13	1	129940-01720	OIL PAN ASSY	1							
14	2	129906-01640	COCK, DRAIN	1							

Remarks
(1) OPTIONAL PART.

Fig.4. CYLINDER HEAD & BONNET



(A)=4TNV94L-PHYBW
(B)=4TNV94L-PHYBY
(C)=

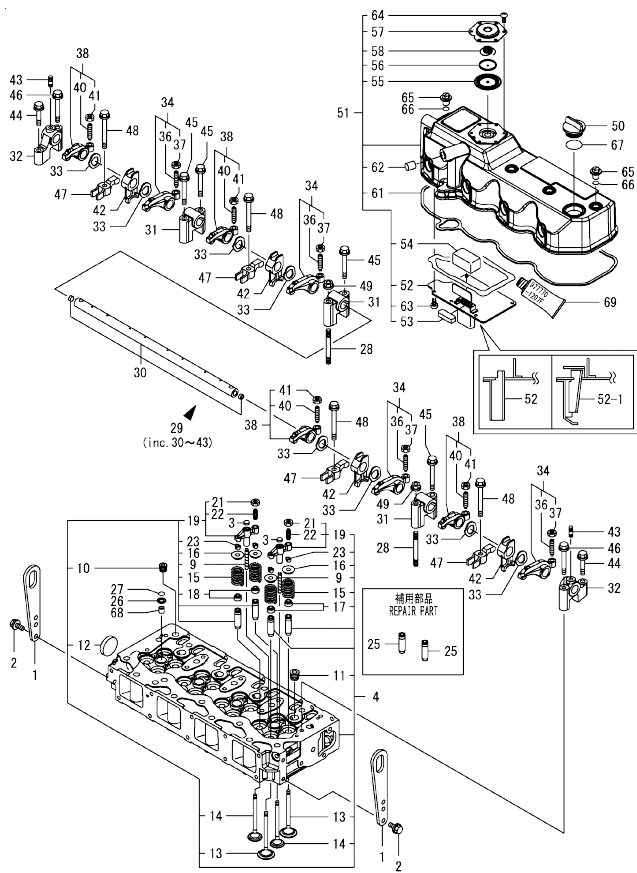
(D)=
(E)=
(F)=

No.	Lev.	Parts No.	Description	Q'ty						I	R
				(A)	(B)	(C)	(D)	(E)	(F)		
1	1	129900-07900	LIFTER, ENGINE	2	2						
2	1	26106-080162	BOLT, M8X 16 PLATED	4	4						
3	1	123907-11550	SEAT, VALVE BRIDGE	8	8						
4	1	129907-11700	HEAD ASSY, CYLINDER	1	1						
9	2	123907-11820	GUIDE, BRIDGE	8	8						
10	2	23876-020000	PLUG, R02	1	1						
11	2	23876-030000	PLUG, R03	4	4						
12	2	27241-400000	PLUG, 40	1	1						
13	2	129907-11100	VALVE, SUCTION	8	8						
14	2	129907-11110	VALVE, EXHAUST	8	8						
15	2	129907-11120	SPRING, VALVE	16	16						
16	2	119620-11180	RETAINER, SPRING	16	16						
17	2	124160-11340	SEAL, VALVE STEM	8	8						
18	2	124950-11340	SEAL, VALVE STEM	8	8						
18-1	2	119803-11340	SEAL, VALVE STEM	8	8						N
(A=E28613)											
19	2	129907-11510	BRIDGE ASSY, VALVE	8	8						
21	3	129150-11750	NUT, M8	8	8						
22	3	123907-11830	ADJUSTER	8	8						
23	2	27310-070001	COTTER, 7	16	16						
25	1	129907-11800	GUIDE, VALVE	16	16						1
26	1	119625-11880	SEAT, NOZZLE	4	4						
27	1	24311-000120	O-RING, 1AP12.0	4	4						
28	1	119593-11301	BOLT, STUD M8X80	2	2						
29	1	129907-11341	SHAFT ASSY, ROCKER	1	1						
30	2	129907-11250	SHAFT, ROCKER ARM	1	1						
31	2	129907-11260	SUPPORT, ROCKER ARM	3	3						
32	2	129907-11270	SUPPORT, ROCKER ARM	2	2						
33	2	123907-11280	WASHER	8	8						
34	2	129907-11650	ARM ASSY, ROCKER	4	4						
36	3	129150-11230	SCREW, VALVE ADJUST	4	4						
37	3	129150-11750	NUT, M8	4	4						
38	2	129907-11660	ARM ASSY, ROCKER	4	4						
40	3	129150-11230	SCREW, VALVE ADJUST	4	4						
41	3	129150-11750	NUT, M8	4	4						
42	2	129907-11920	RETAINER, NOZZLE	4	4						
43	2	26226-080222	STUD, M8X 22	2	2						
44	1	26106-080402	BOLT, M8X 40 PLATED	2	2						
45	1	26106-080602	BOLT, M8X 60 PLATED	4	4						
46	1	26106-080602	BOLT, M8X 60 PLATED	2	2						
47	1	129907-11910	RETAINER, NOZZLE	4	4						
48	1	129907-11950	BOLT, M8X75	4	4						
49	1	26306-080002	NUT, M8	2	2						
50	1	124160-01751	CAP, FILLER	1	1						
51	1	129907-11320	BONNET ASSY, HEAD	1	1						
51-1	1	129907-11321	BONNET ASSY, HEAD	1	1						N
(A=E39532)											
52	2	129907-03010	PLATE, BAFFLE	1	1						
52-1	2	129907-03011	PLATE, BAFFLE	1	1						S
(A=E07924)											
53	2	129907-03060	BAFFLE, BREATHER	1	1						

Remarks
(1) REPAIR PART.
(2) OPTIONAL PART.

OCV10-M96801 4TNV94L-PHYBW,PHYBY
 Fig.4. CYLINDER HEAD & BONNET

OCV10-M96801 Fig.4



(A)=4TNV94L-PHYBW
 (B)=4TNV94L-PHYBY
 (C)=

(D)=
 (E)=
 (F)=

No.	Lev.	Parts No.	Description	Qty						I	R
				(A)	(B)	(C)	(D)	(E)	(F)		
53-1	2	129907-03061 (A=E07924)	BAFFLE, BREATHER	1	1						S
54	2	129907-03070	BAFFLE, BREATHER	1	1						
55	2	123907-03100	DIAPHRAGM	1	1						
56	2	123907-03110	PLATE	1	1						
57	2	123907-03120	PLATE, BREATHER	1	1						
58	2	123907-03140	SPRING, DIAPHRAGM	1	1						
61	2	129907-11310	GASKET, BONNET	1							
61-1	2	129933-11310	GASKET, BONNET	1	1						N
(A=E39532)											
62	2	119640-61400	PLUG	1	1						
63	2	22857-500100	SCREW, 5X10	6	6						
64	2	22857-500100	SCREW, 5X10	6	6						
65	1	124160-11360	KNOB	4	4						
66	1	24311-000120	O-RING, 1AP12.0	4	4						
67	1	24311-000320	O-RING, 1AP32.0	1	1						
68	1	119802-11870	PROTECTOR, NOZZLE	4	4						
69	1	977770-1207F	GASKET, LIQUID	1	1						2

Remarks
 (1) REPAIR PART.
 (2) OPTIONAL PART.

N:Old $\frac{100}{100}$ New, Q:Old $\frac{100}{100}$ New, R:Old $\frac{100}{100}$ New, S:Old $\frac{100}{100}$ New, W:Add, Z:Discontinued, F:Interchangeable by set, K:Qty Change
 Copyright (C) YANMAR GLOBAL CS CO., LTD. All Rights Reserved.

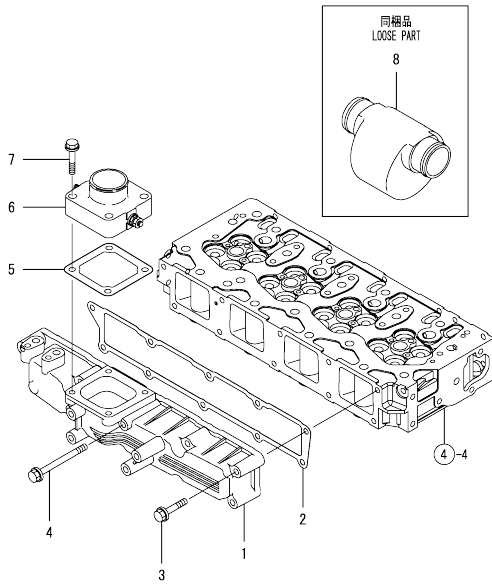
OCV10-M96801 4TNV94L-PHYBW,PHYBY
 Fig.5. SUCTION MANIFOLD

OCV10-M96801 Fig.5

(A)=4TNV94L-PHYBW
 (B)=4TNV94L-PHYBY
 (C)=

(D)=
 (E)=
 (F)=

No.	Lev.	Parts No.	Description	Q'ty						I	R
				(A)	(B)	(C)	(D)	(E)	(F)		
1	1	129907-12100	MANIFOLD, AIR INTAKE	1	1						
2	1	129907-12110	GASKET, MANIFOLD	1	1						
3	1	26106-080552	BOLT, M8X 55 PLATED	9	9						
4	1	26106-080852	BOLT, M8X 85 PLATED	1	1						
5	1	121850-77021	GASKET, AIR HEATER	1	1						
6	1	129915-77050	HEATER, AIR 12V	1							
6-1	1	129915-77051	HEATER, AIR 12V	1	1						N
			(A=*2008.05.)								
7	1	26106-080352	BOLT, M8X 35 PLATED	4	4						
8	1	119005-12060	SILENCER, INTAKE	1	1						



OCV10-M96801 4TNV94L-PHYBW,PHYBY
 Fig.6. EXHAUST MANIFOLD

OCV10-M96801 Fig.6

(A)=4TNV94L-PHYBW
 (B)=4TNV94L-PHYBY
 (C)=

(D)=
 (E)=
 (F)=

No.	Lev.	Parts No.	Description	Q'ty						I	R
				(A)	(B)	(C)	(D)	(E)	(F)		
1	1	129900-13200	MANIFOLD, EXHAUST	1	1						
2	1	129900-13251	GASKET, EXH.MANIFOLD	1	1						
3	1	123900-13610	BOLT, STUD M8X80	2	2						
4	1	123900-13630	BOLT, M8X80	6	6						
5	1	119131-18320	BOLT, STUD M8X22	4	4						
6	1	26306-080002	NUT, M8	2	2						
7	1	129930-13200	GASKET, SILENCER	1							
7-1	1	129930-13201	GASKET, SILENCER	1	1						N

(A=E07917)

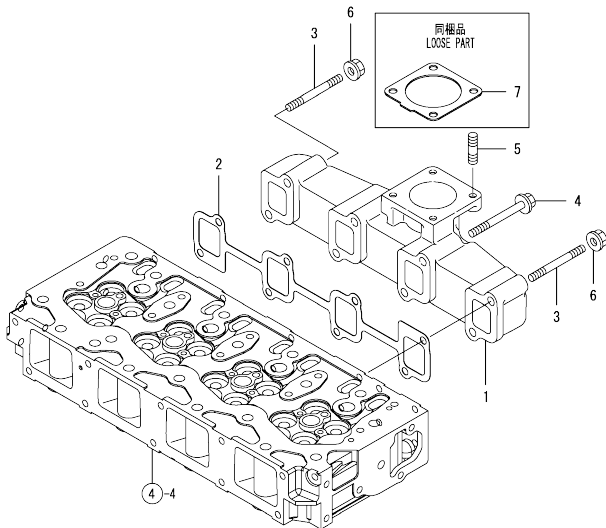
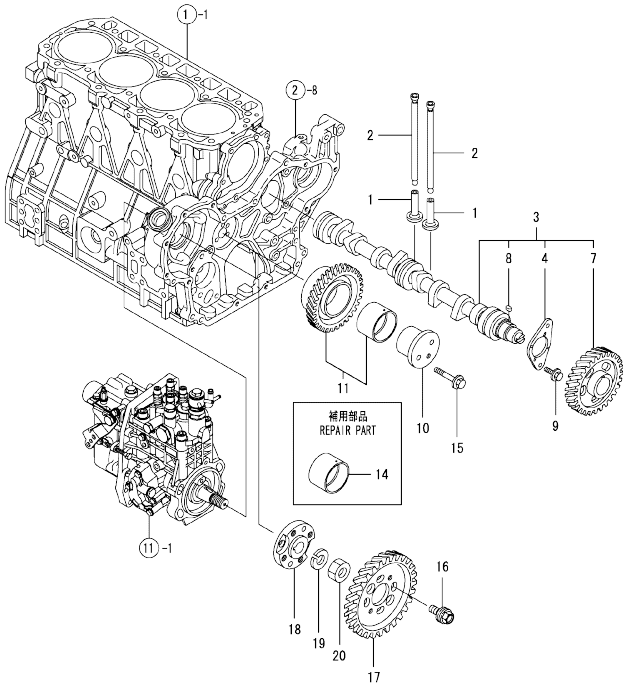


Fig.7. CAMSHAFT & DRIVING GEAR



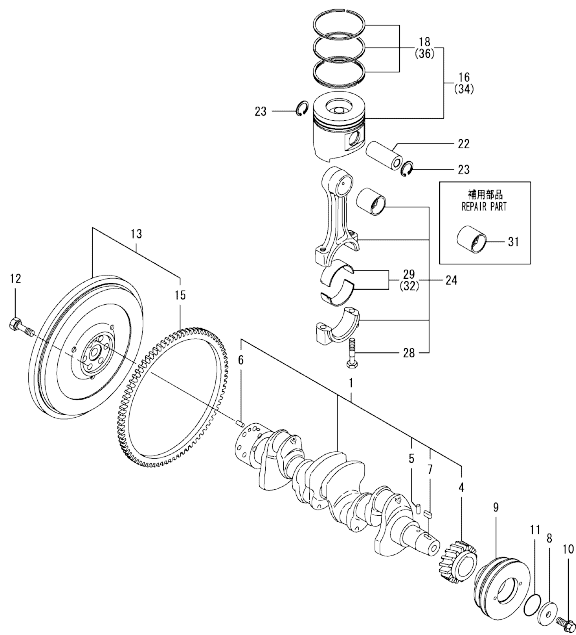
(A)=4TNV94L-PHYBW
(B)=4TNV94L-PHYBY
(C)=

(D)=
(E)=
(F)=

No.	Lev.	Parts No.	Description	Q'ty						I	R
				(A)	(B)	(C)	(D)	(E)	(F)		
1	1	129150-14200	TAPPET		8	8					
2	1	129907-14400	PUSH-ROD		8	8					
3	1	129907-14581	CAMSHAFT ASSY	1	1						
3-1	1	129908-14581	CAMSHAFT ASSY	1	1						N
4	2	129150-02450	BEARING, THRUST		1	1					
7	2	129900-14100	GEAR, CAMSHAFT		1	1					
8	2	22512-070140	KEY, 7X 14		1	1					
9	1	26106-080162	BOLT, M8X 16 PLATED		2	2					
10	1	123900-25060	SHAFT, IDLE GEAR		1	1					
11	1	129900-25100	GEAR ASSY, IDLE		1	1					
14	1	129150-25920	BUSH, IDLE GEAR		1	1					1
15	1	26106-080552	BOLT, M8X 55 PLATED		3	3					
16	1	129953-25300	BOLT		4	4					
17	1	123907-25909	GEAR, PUMP		1						
17-1	1	129907-25900	GEAR, PUMP		1	1					R
18	1	158563-51150	FLANGE		1	1					
19	1	22217-180000	WASHER, SPRING 18		1	1					
20	1	26776-180002	NUT, LOCK M18		1	1					

Remarks
(1) REPAIR PART.

OCV10-M96801 4TNV94L-PHYBW,PHYBY
Fig.8. CRANKSHAFT & PISTON



OCV10-M96801 Fig.8

(A)=4TNV94L-PHYBW
 (B)=4TNV94L-PHYBY
 (C)=

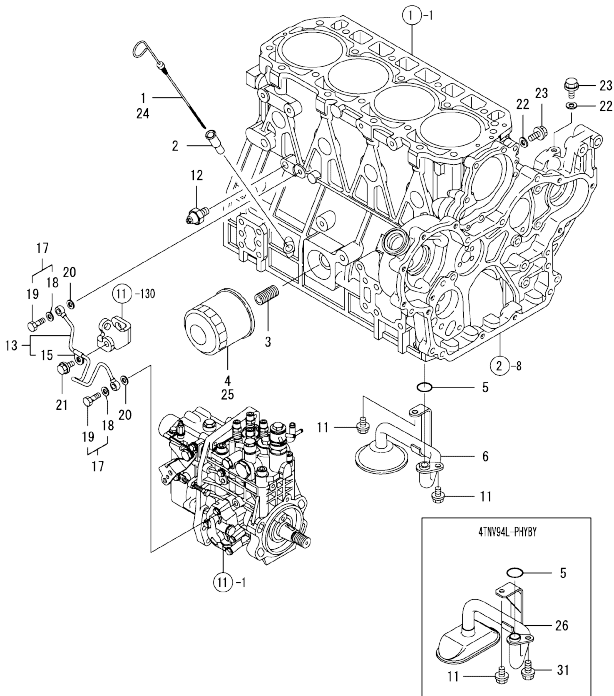
(D)=
 (E)=
 (F)=

No.	Lev.	Parts No.	Description	Q'ty						I	R
				(A)	(B)	(C)	(D)	(E)	(F)		
1	1	129902-21000	CRANKSHAFT ASSY	1	1						
4	2	129900-21200	GEAR, CRANKSHAFT	1	1						
5	2	121850-21290	PIN	1	1						
6	2	121850-21920	PIN, PARALLEL 10X22	1	1						
7	2	22512-070140	KEY, 7X 14	1	1						
8	1	129960-21640	WASHER	1	1						
9	1	129916-21680	V-PULLEY, CRANKSHAFT	1							
9-1	1	129916-21620 (A=E24005)	V-PULLEY, CRANKSHAFT	1	1						N
10	1	129916-21610	BOLT	1	1						
11	1	24341-000530	O-RING, 1AS53.0	1	1						
12	1	121850-21130	BOLT, FLYWHEEL	6	6						
13	1	129953-21581	FLYWHEEL ASSY	1	1						
15	2	129900-21600	GEAR, RING	1	1						
16	1	129906-22080	PISTON ASSY	4	4						
16-1	1	129906-22090 (A=*2009.12) (B=*2009.12)	PISTON ASSY	4	4						F 4
18	2	129906-22050	RING SET, PISTON	4	4						
22	1	120130-22301	PIN, PISTON	4	4						
23	1	22252-000300	RING, 30	8	8						
24	1	129900-23000	ROD ASSY, CONNECTING	4							
24-1	1	129900-23001 (A=E04348)	ROD ASSY, CONNECTING	4	4						N
28	2	129900-23200	BOLT, CONNECTING ROD	8	8						
29	2	129900-23600	BEARING, CRANK PIN	4							
29-1	2	129900-23601 (A=E25657)	BEARING, CRANK PIN	4	4						N
31	1	129900-23910	BEARING, PISTON PIN	4							1
31-1	1	129900-23911 (A=E04348)	BEARING, PISTON PIN	4	4						N 1
32	1	129900-23610	BEARING ASSY, 0.25US	4							2
32-1	1	129900-23611 (A=E25657)	BEARING ASSY, 0.25US	4	4						N 2
34	1	729906-22900	PISTON ASSY, 0.25 OS	4	4						3
34-1	1	129906-22900 (A=EXXXXX) (B=EXXXXX)	PISTON ASSY, 0.25 OS	4	4						R 3
34-2	1	129906-22910 (A=*2009.12) (B=*2009.12)	PISTON ASSY, 0.25 OS	4	4						F 3
36	2	729906-22950	RING SET, 0.25 OS	4	4						3
36-1	2	129916-22950 (A=EXXXXX) (B=EXXXXX)	RING SET, 0.25 OS	4	4						R 3

Remarks

- (1) Repair part.
- (2) Under-sized (U.S.=0.25) part.
- (3) Over-sized (O.S.=0.25) part.
- (4) Ref. No. 16 is interchangeable with a set of Ref. No. 16-1 and Fig.1 Ref. No.32-2.

Fig.9. LUB. OIL SYSTEM



(A)=4TNV94L-PHYBW
(B)=4TNV94L-PHYBY
(C)=

(D)=
(E)=
(F)=

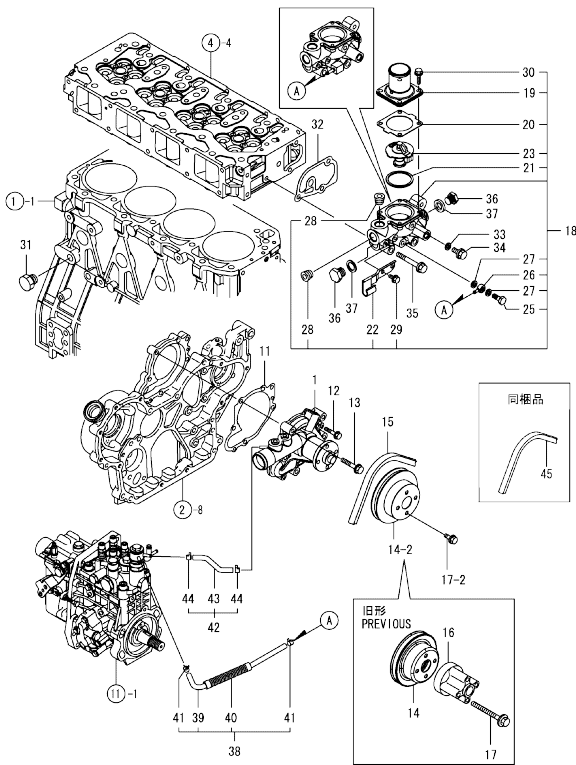
No.	Lev.	Parts No.	Description	Q'ty						I	R
				(A)	(B)	(C)	(D)	(E)	(F)		
1	1	129900-34800	DIPSTICK	1							
2	1	121520-34810	GUIDE, DIPSTICK	1	1						
3	1	119000-35140	BOLT, STUD FILTER	1	1						
4	1	129150-35153	FILTER ASSY, D80X80L	1							1
5	1	129900-32030	O-RING, P20	1	1						
6	1	129900-35000	PIPE ASSY, OIL INLET	1							
11	1	26106-080122	BOLT, M8X 12 PLATED	2	1						
12	1	121252-39450	SWITCH, HYDRAULIC	1	1						
13	1	129907-39061	PIPE ASSY, OIL	1	1						
15	2	123907-39500	RETAINER, PIPE	1	1						
17	1	129005-59830	BOLT ASSY, JOINT M8	2	2						
18	2	22190-080002	WASHER, SEAL 6	2	2						
19	2	23857-030000	BOLT, JOINT 3	2	2						
20	1	22190-080002	WASHER, SEAL 6	2	2						
21	1	26106-080122	BOLT, M8X 12 PLATED	1	1						
22	1	22190-080002	WASHER, SEAL 6	2	2						
23	1	26106-080122	BOLT, M8X 12 PLATED	2	2						
24	1	129906-34851	DIPSTICK	1							
25	1	119005-35151	FILTER, D80X100	1							1
26	1	129953-35000	PIPE ASSY, OIL INLET	1							
31	1	26106-080162	BOLT, M8X 16 PLATED	1							

Remarks
(1) REPAIR PART.

Fig.10. COOLING WATER SYSTEM

(A)=4TNV94L-PHYBW
(B)=4TNV94L-PHYBY
(C)=

(D)=
(E)=
(F)=



No.	Lev.	Parts No.	Description	Q'ty						I	R
				(A)	(B)	(C)	(D)	(E)	(F)		
1	1	129907-42000	PUMP ASSY, WATER	1	1						
11	1	129900-42020	GASKET, WATER PUMP	1	1						
12	1	26106-060302	BOLT, M6X 30 PLATED	2	2						
13	1	26106-080552	BOLT, M8X 55 PLATED	5	5						
14	1	129930-42450	V-PULLEY, C.W.PUMP	1							
14-1	1	129916-42410	V-PULLEY, C.W.PUMP	1	1						N
(A=E24005)											
14-2	1	129928-42410	V-PULLEY, C.W.PUMP	1	1						N
(A=*2009.01) (B=*2009.01)											
15	1	25132-004100	V-BELT, A41	1							
15-1	1	25153-004400	V-BELT, B44	1	1						N
(A=E24005)											
15-2	1	25153-004400	V-BELT, B44		1						Z
(B=EZZZZZ)											
16	1	119117-44760	SPACER, FAN	1	1						Z
(A=*2009.01) (B=*2009.01)											
17	1	129916-44770	BOLT, M8X78	4							
17-1	1	26106-080802	BOLT, M8X 80 PLATED	4	4						R
(A=E05410)											
17-2	1	26014-080162	BOLT, M8X 16	4	4						S
(A=*2009.01) (B=*2009.01)											
18	1	129946-49810	CASE ASSY,THERMOSTAT	1	1						
19	2	129916-49530	COVER, THERMOSTAT	1	1						
20	2	121850-49540	GASKET, THERMOSTAT	1	1						
21	2	121850-49550	GASKET, THERMOSTAT	1	1						
22	2	129907-49730	RETAINER, PIPE	1	1						
23	2	121850-49800	THERMOSTAT, 82C	1	1						
25	2	105582-59150	BOLT, PIPE JOINT M8	1							Z
(A=E05410)											
26	2	23387-040800	JOINT, HOSE 4-8	1							Z
(A=E05410)											
27	2	23414-080000	GASKET, 8X1.0	2							Z
(A=E05410)											
28	2	23875-030000	PLUG, R03	2	2						
29	2	26106-060122	BOLT, M6X 12 PLATED	2							
29-1	2	26106-060122	BOLT, M6X 12 PLATED	1	1						K
(A=E05410)											
30	2	26106-060202	BOLT, M6X 20 PLATED	4	4						
31	1	171056-49120	PLUG, DRAIN R1/4	1	1						
32	1	129900-49870	GASKET, THERMOSTAT	1	1						
33	1	23414-080000	GASKET, 8X1.0	1	1						
34	1	26106-080122	BOLT, M8X 12 PLATED	1	1						
35	1	26106-080602	BOLT, M8X 60 PLATED	3	3						
36	1	121450-42450	PLUG, M16	2	2						
37	1	124465-44950	GASKET, 16	2	2						
38	1	129907-49610	HOSE ASSY, WATER	1	1						
39	2	129907-49710	HOSE, WATER	1	1						
40	2	129907-49750	TUBE, CORRUGATED	1	1						
41	2	124722-59050	CLAMP, HOSE 9	2	2						
42	1	129907-49620	HOSE ASSY, WATER	1	1						
43	2	129907-49720	HOSE, WATER	1	1						

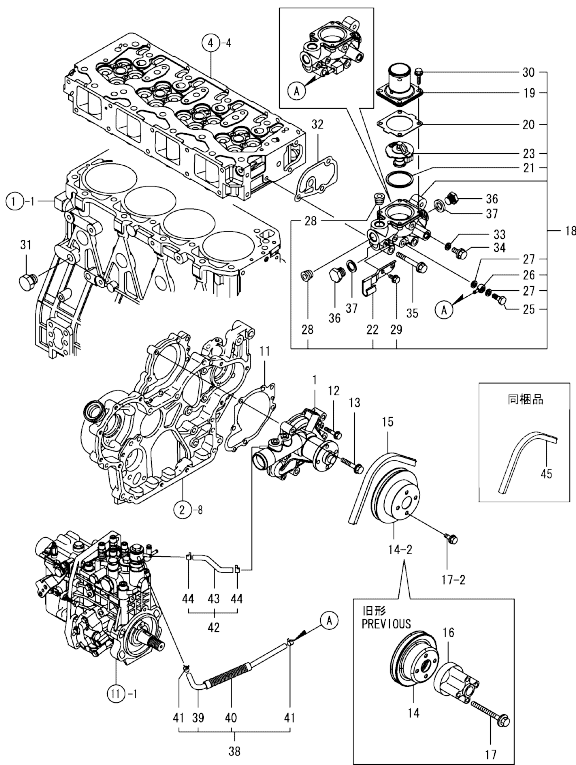
N:Old $\frac{New}{Old}$ New, Q:Old $\frac{New}{Old}$ New, R:Old $\frac{New}{Old}$ New, S:Old $\frac{New}{Old}$ New, W:Add, Z:Discontinued, F:Interchangeable by set, K:Q'ty Change
 ++ CONTINUE ++
 Copyright (C) YANMAR GLOBAL CS CO., LTD. All Rights Reserved.

Fig.10. COOLING WATER SYSTEM

(A)=4TNV94L-PHYBW
 (B)=4TNV94L-PHYBY
 (C)=

(D)=
 (E)=
 (F)=

No.	Lev.	Parts No.	Description	Q'ty						I	R
				(A)	(B)	(C)	(D)	(E)	(F)		
44	2	124722-59050	CLAMP, HOSE 9	2	2						
45	1	25153-004400	V-BELT, B44 (B=EZZZZZ)			1					W

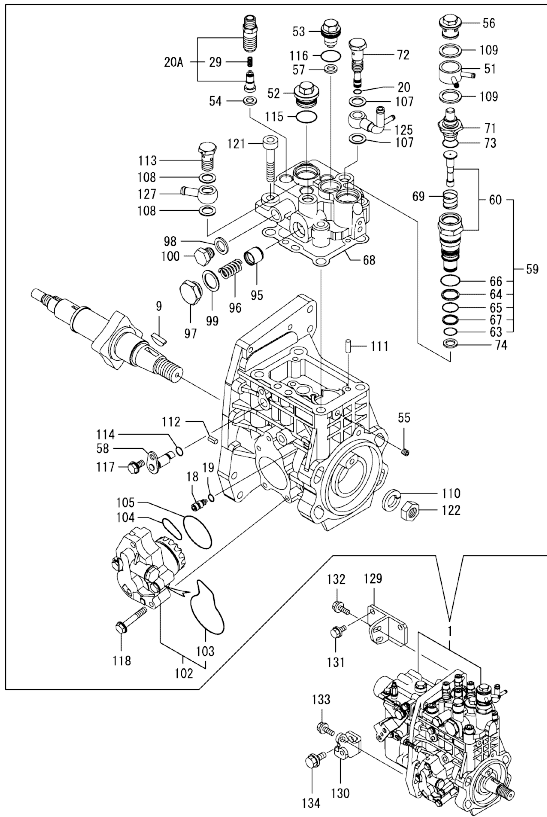


Y02V3881	10. COOLING WATER SYSTEM		
4TNV94L-PHYBW/PHYBY	1. 08/38/2	3	PLUS

N:Old $\frac{100}{100}$ New, Q:Old $\frac{100}{100}$ New, R:Old $\frac{100}{100}$ New, S:Old $\frac{100}{100}$ New, W:Add, Z:Discontinued, F:Interchangeable by set, K:Q'ty Change
 Copyright (C) YANMAR GLOBAL CS CO., LTD. All Rights Reserved.

OCV10-M96801 4TNV94L-PHYBW,PHYBY
Fig.11. FUEL INJECTION PUMP

OCV10-M96801 Fig.11



(A)=4TNV94L-PHYBW
 (B)=4TNV94L-PHYBY
 (C)=

(D)=
 (E)=
 (F)=

No.	Lev.	Parts No.	Description	Q'ty						I	R
				(A)	(B)	(C)	(D)	(E)	(F)		
1	1	729906-51310	PUMP ASSY, INJECTION	1							1
1-1	1	729906-51311 (A=E23109)	PUMP ASSY, INJECTION	1							N 1
1-2	1	729906-51312 (A=E36711)	PUMP ASSY, INJECTION	1	1						N 1
9	2	144626-51090	FEATHER KEY, 5X19	1	1						
18	2	158600-51270	STOPPER, TAPPET	1	1						
19	2	158563-51281	O-RING, 4D S6	1	1						
20	2	158563-51281	O-RING, 4D S6	1	1						
20A	2	129509-51390 (A=*2008.04.)	VALVE ASSY, DELIVERY	4	4						W
29	3	158563-51330	SPRING, DELIVERY	4	4						
51	2	158553-51551	JOINT, COOLING WATER	1	1						
52	2	158601-51550	PLUG, M22	1	1						
53	2	129907-51560	PLUG, M16	1	1						
54	2	158552-51570	GASKET, PLUG	4							
54-1	2	158552-51571 (A=*2008.07.)	GASKET, PLUG	4	4						R
55	2	158557-51570	PLUG, RACK	1	1						
56	2	158601-51570	PLUG	1	1						
57	2	129906-51580	GASKET, PLUG	1	1						
58	2	158552-51580	LIFTER, LINK	1	1						
59	2	119802-51590	TIMER ASSY	1	1						
60	3	119802-51600	TIMER ASSY	1	1						
63	3	158553-51670	O-RING	1	1						
64	3	119802-51680	RING, BACKUP	1	1						
65	3	119802-51690	O-RING	1	1						
66	3	24356-010200	O-RING, 4D1020	1	1						
67	3	24372-000150	RING, BACK UP T2P15	1	1						
68	2	158560-51600	GASKET	1	1						
69	2	158553-51630	SPRING, TIMER	1	1						
71	2	158553-51640	THERMOELEMENT	1	1						
72	2	158601-51650	JOINT, OVER FLOW	1	1						
73	2	158553-51660	O-RING, P14	1	1						
74	2	158553-51680	GASKET, TIMER	1	1						
95	3	158601-51770	PISTON, ACCUMULATOR	1	1						
96	3	158552-51781	SPRING, ACCUMULATOR	1	1						
97	3	158601-51790	PLUG	1	1						
98	3	22190-120002	WASHER, SEAL 12	1	1						
99	3	22190-180002	WASHER, SEAL 18	1	1						
100	3	23887-120002	PLUG, 12	1	1						
102	2	158552-52100	PUMP ASSY, FUEL FEED	1	1						
103	3	158552-52500	O-RING	1	1						
104	2	158552-52310	O-RING	1	1						
105	2	158552-52400	O-RING, 4E S42	1	1						
107	2	22190-120002	WASHER, SEAL 12	2	2						
108	2	22190-120002	WASHER, SEAL 12	2	2						
109	2	22190-180002	WASHER, SEAL 18	2	2						
110	2	22217-180000	WASHER, SPRING 18	1	1						
111	2	22312-050140	PIN, PARALLEL M5X14	2	2						
112	2	22351-050010	PIN, SPRING 5.0X10	2	2						

Remarks
 (1) GOVERNOR ASSY(FIG.12) IS
 INCORPORATED IN THIS FUEL
 INJECTION PUMP.(REF.NO.1).

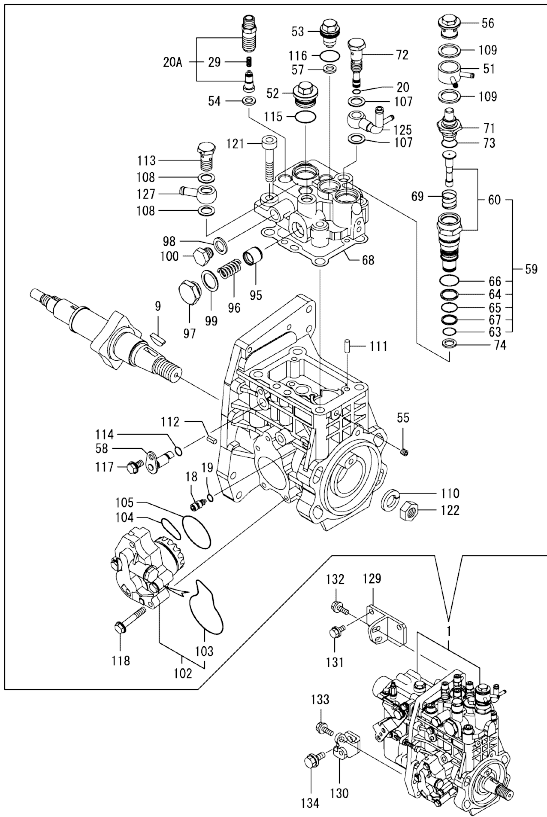
N:Old $\frac{New}{Old}$ New, Q:Old $\frac{New}{Old}$ New, R:Old $\frac{New}{Old}$ New, S:Old $\frac{New}{Old}$ New, W:Add, Z:Discontinued, F:Interchangeable by set, K:Q'ty Change
 ++ CONTINUE ++
 Copyright (C) YANMAR GLOBAL CS CO., LTD. All Rights Reserved.

OCV10-M96801 4TNV94L-PHYBW,PHYBY
 Fig.11. FUEL INJECTION PUMP

OCV10-M96801 Fig.11

(A)=4TNV94L-PHYBW
 (B)=4TNV94L-PHYBY
 (C)=

(D)=
 (E)=
 (F)=

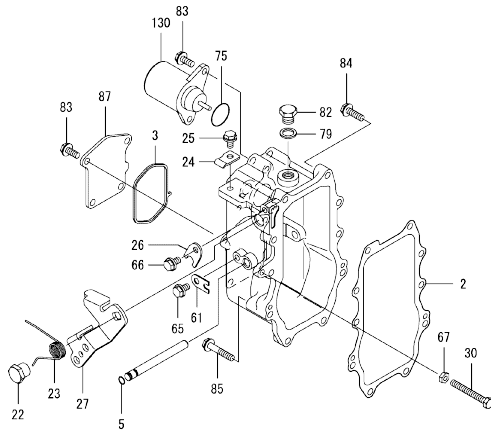


No.	Lev.	Parts No.	Description	Q'ty						
				(A)	(B)	(C)	(D)	(E)	(F)	
113	2	23857-060000	BOLT, JOINT 6	1	1					
114	2	24311-000070	O-RING, 1AP7.0	1	1					
115	2	24356-010200	O-RING, 4D1020	1	1					
116	2	24356-020210	O-RING, 4D2021	1	1					
117	2	26106-060102	BOLT, M6X 10 PLATED	1	1					
118	2	26106-060352	BOLT, M6X 35 PLATED	4	4					
121	2	26450-100452	BOLT, M10X 45	4	4					
122	2	26776-180002	NUT, LOCK M18	1	1					
125	2	158552-51670	JOINT, OVER FLOW	1	1					
127	2	129916-59020	JOINT, PIPE 12	1	1					
129	1	129907-01950	RETAINER, PUMP	1	1					
130	1	129906-01960	RETAINER, PUMP	1	1					
131	1	26106-080162	BOLT, M8X 16 PLATED	2	2					
132	1	26106-080222	BOLT, M8X 22 PLATED	2	2					
133	1	26106-080222	BOLT, M8X 22 PLATED	1	1					
134	1	26106-100202	BOLT, M10X 20 PLATED	1	1					

Remarks
 (1) GOVERNOR ASSY(FIG.12) IS
 INCORPORATED IN THIS FUEL
 INJECTION PUMP.(REF.NO.1).

N:Old $\frac{100}{100}$ New, Q:Old $\frac{100}{100}$ New, R:Old $\frac{100}{100}$ New, S:Old $\frac{100}{100}$ New, W:Add, Z:Discontinued, F:Interchangeable by set, K:Q'ty Change
 Copyright (C) YANMAR GLOBAL CS CO., LTD. All Rights Reserved.

Fig.12. GOVERNOR



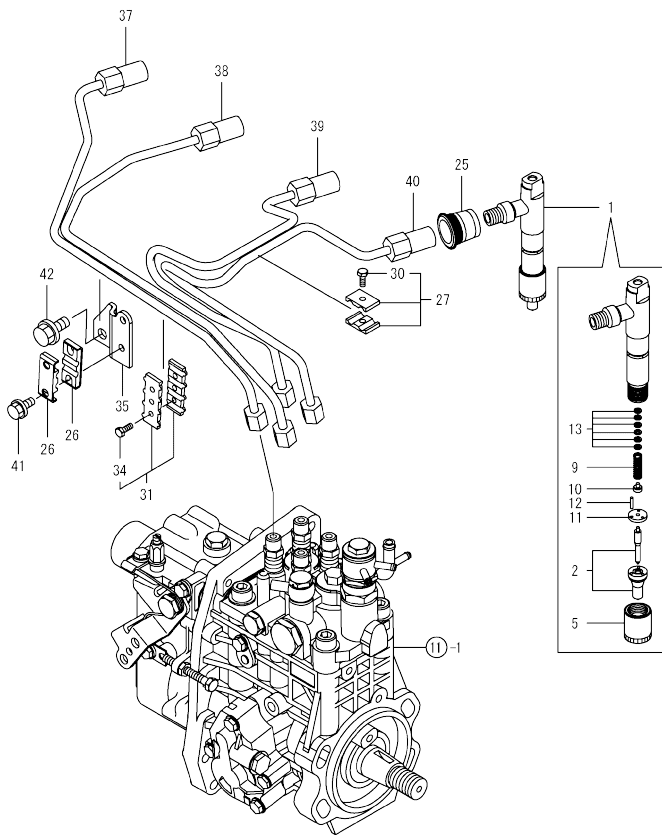
(A)=4TNV94L-PHYBW
(B)=4TNV94L-PHYBY
(C)=

(D)=
(E)=
(F)=

No.	Lev.	Parts No.	Description	Q'ty						I	R
				(A)	(B)	(C)	(D)	(E)	(F)		
2	2	158560-61050	GASKET	1	1						
3	2	158560-61071	GASKET	1	1						
5	2	129155-51280	O-RING, S6	1	1						
22	2	129255-61410	NUT, M8	1	1						
23	2	123944-61420	SPRING, LEVER	1	1						
24	2	123944-61430	RETAINER	1	1						
25	2	26106-060102	BOLT, M6X 10 PLATED	1	1						
26	2	158560-61430	STOPPER, SHAFT	1	1						
27	2	158560-61442	LEVER, REGULATOR	1	1						
30	2	129155-61460	BOLT, LIMITING	1	1						
61	2	119660-61901	STOPPER, SHAFT	1	1						
65	2	26106-060102	BOLT, M6X 10 PLATED	1	1						
66	2	26106-060102	BOLT, M6X 10 PLATED	1	1						
67	2	26756-060002	NUT, LOCK M6	1	1						
75	2	158552-61900	O-RING	1	1						
79	2	22190-160002	WASHER, SEAL 16	1	1						
82	2	23887-160002	PLUG, 16	1	1						
83	2	26106-060142	BOLT, M6X 14 PLATED	6	6						
84	2	26106-060252	BOLT, M6X 25 PLATED	8	8						
85	2	26106-060402	BOLT, M6X 40 PLATED	2	2						
87	2	158560-61061	COVER, GOVERNOR CASE	1	1						
130	2	119233-77932	SOLENOID, STOP	1	1						

Remarks
* THIS FIGURE(GOVERNOR ASSY)IS
INCORPORATED IN THE FUEL INJECTION
PUMP ASSY(FIG.11).

Fig.13. FUEL INJECTION VALVE

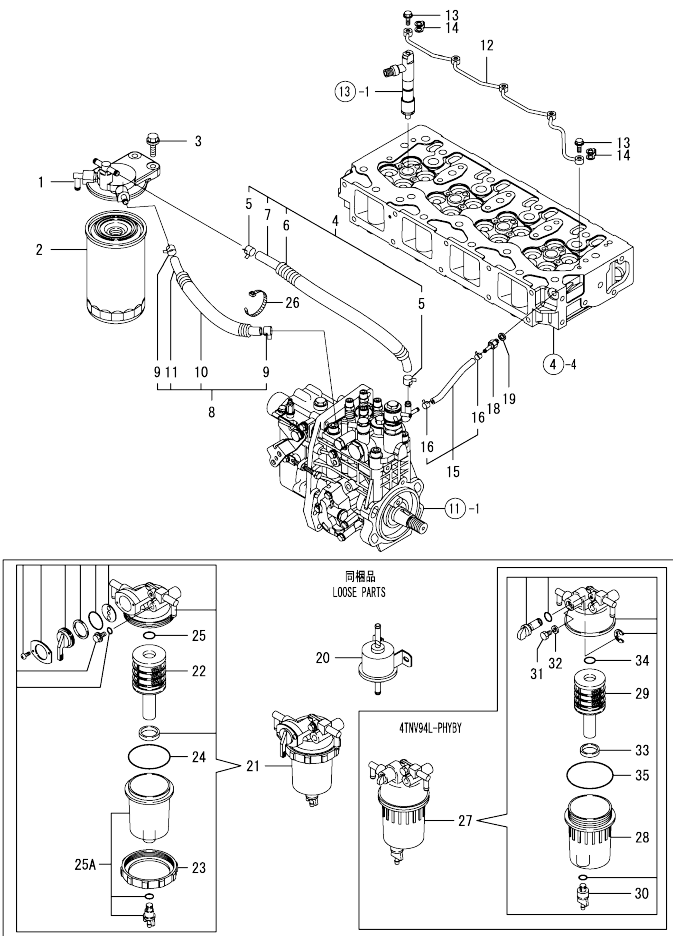


(A)=4TNV94L-PHYBW
(B)=4TNV94L-PHYBY
(C)=

(D)=
(E)=
(F)=

No.	Lev.	Parts No.	Description	Q'ty					
				(A)	(B)	(C)	(D)	(E)	(F)
1	1	729906-53100	FUEL INJECTOR ASSY	4	4				
2	2	129906-53000	NOZZLE ASSY, F.I.	4	4				
5	2	114250-53080	NUT, NOZZLE	4	4				
9	2	114250-53120	SPRING, NOZZLE	4	4				
10	2	114250-53130	SEAT, SPRING	4	4				
11	2	114250-53140	SPACER	4	4				
12	2	114250-53210	PIN	8	8				
13	2	114250-53400	SHIM SET	4	4				
25	1	123907-11601	SEAL, PIPE	4	4				
26	1	122780-59100	RETAINER	2	2				
27	1	119305-59120	RETAINER, PIPE	1	1				
30	2	129150-59131	BOLT, M4X14	1	1				
31	1	129550-59120	RETAINER, PIPE	1	1				
34	2	129150-59131	BOLT, M4X14	2	2				
35	1	129907-59710	SUPPORT	1	1				
37	1	129907-59810	PIPE ASSY, INJECTION	1	1				
38	1	129907-59820	PIPE ASSY, INJECTION	1	1				
39	1	129907-59830	PIPE ASSY, INJECTION	1	1				
40	1	129907-59840	PIPE ASSY, INJECTION	1	1				
41	1	26106-060162	BOLT, M6X 16 PLATED	2	2				
42	1	26106-080182	BOLT, M8X 18 PLATED	1	1				

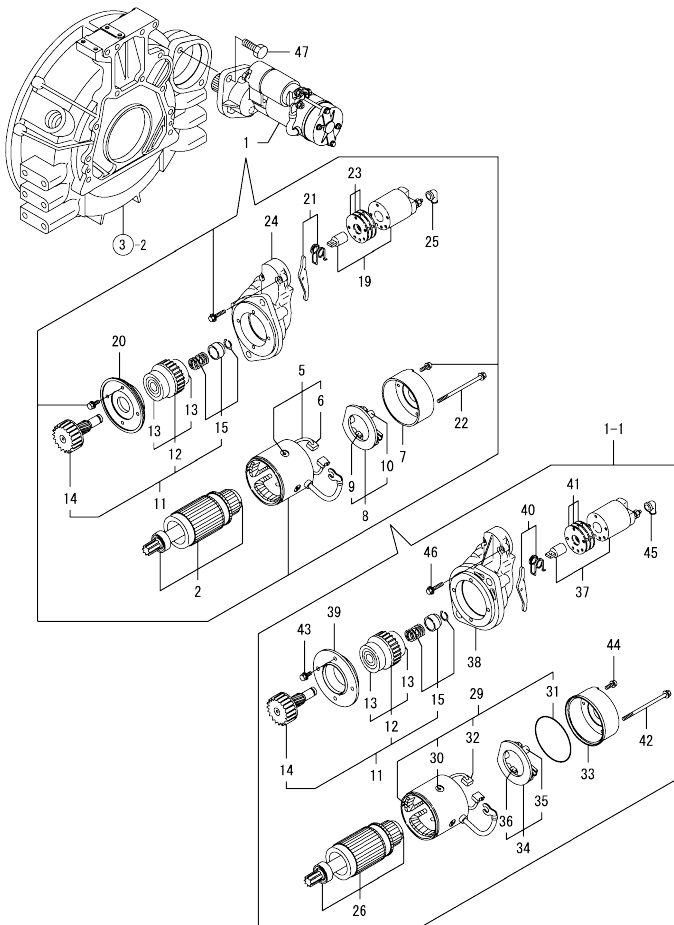
Fig.14. FUEL LINE



No.	Lev.	Parts No.	Description	Q'ty						I	R
				(A)	(B)	(C)	(D)	(E)	(F)		
1	1	129004-55610	BRACKET, FILTER	1							
1-1	1	129004-55611 (A=E10989)	BRACKET, FILTER	1							R
1-2	1	129004-55612 (A=E24005)	BRACKET, FILTER	1	1						R
2	1	123907-55800	FILTER, FUEL	1							
2-1	1	123907-55801 (A=E25657)	FILTER, FUEL	1	1						R
2-2	1	129907-55801 (B=EZZZZZ)	FILTER, FUEL			1					N
3	1	26106-080302	BOLT, M8X 30 PLATED	2	2						
4	1	129457-59010	HOSE ASSY, FUEL	1	1						
5	2	124766-59050	CLAMP, HOSE 11.5	2	2						
6	2	129957-59120	TUBE, CORRUGATED 15	1	1						
7	2	105025-59750	HOSE, FUEL	1	1						
8	1	129981-59010	HOSE ASSY, FUEL	1	1						
9	2	124766-59050	CLAMP, HOSE 11.5	2	2						
10	2	129950-59221	TUBE, CORRUGATED 15	1	1						
11	2	129980-59510	HOSE, FUEL	1	1						
12	1	129907-59140	PIPE ASSY, RETURN	1	1						
13	1	123907-59540	BOLT, PIPE JOINT M6	5	5						
14	1	123907-59550	GASKET	5	5						
15	1	129486-59551	HOSE ASSY, RETURN	1	1						
16	2	124722-59050	CLAMP, HOSE 9	2	2						
18	1	123907-59560	JOINT, HOSE	1	1						
19	1	22190-080002	WASHER, SEAL 6	1	1						
20	1	129612-52100	PUMP, FUEL FEED	1	1						
21	1	129906-55700	SEPARATOR ASSY,WATER	1							
22	2	119802-55710	ELEMENT	1							
23	2	129100-55690	RING, CUP RETAINING	1							
24	2	24321-000650	O-RING, 1AG65.0	1							
25	2	24311-000160	O-RING, 1AP16.0	1							
25A	2	119802-55730	CUP ASSY, SEPARATOR	1							W
26	1	121750-59890 (A=FROM 1ST)	BAND, NYLON	1	1						
27	1	129242-55710	SEPARATOR ASSY,WATER	1							
27-1	1	129245-55710 (B=EZZZZZ)	SEPARATOR ASSY,WATER	1							N
28	2	129242-55720 (B=EZZZZZ)	CUP, SEPARATOR	1							
28-1	2	129245-55720 (B=EZZZZZ)	CUP ASSY, SEPARATOR	1							N
29	2	129242-55730 (B=EZZZZZ)	ELEMENT, FUEL	1							
30	2	129242-55740	PLUG, DRAIN	1							
31	2	129242-55750	VALVE, AIR VENT	1							
32	2	129242-55760	GASKET, PLUG	1							
33	2	129242-55770	FLOAT	1							
34	2	24311-000160	O-RING, 1AP16.0	1							
35	2	24321-000750	O-RING, 1AG75.0	1							

N:Old $\frac{100}{100}$ New, Q:Old $\frac{100}{100}$ New, R:Old $\frac{100}{100}$ New, S:Old $\frac{100}{100}$ New, W:Add, Z:Discontinued, F:Interchangeable by set, K:Q'ty Change
Copyright (C) YANMAR GLOBAL CS CO., LTD. All Rights Reserved.

Fig.15. STARTING MOTOR



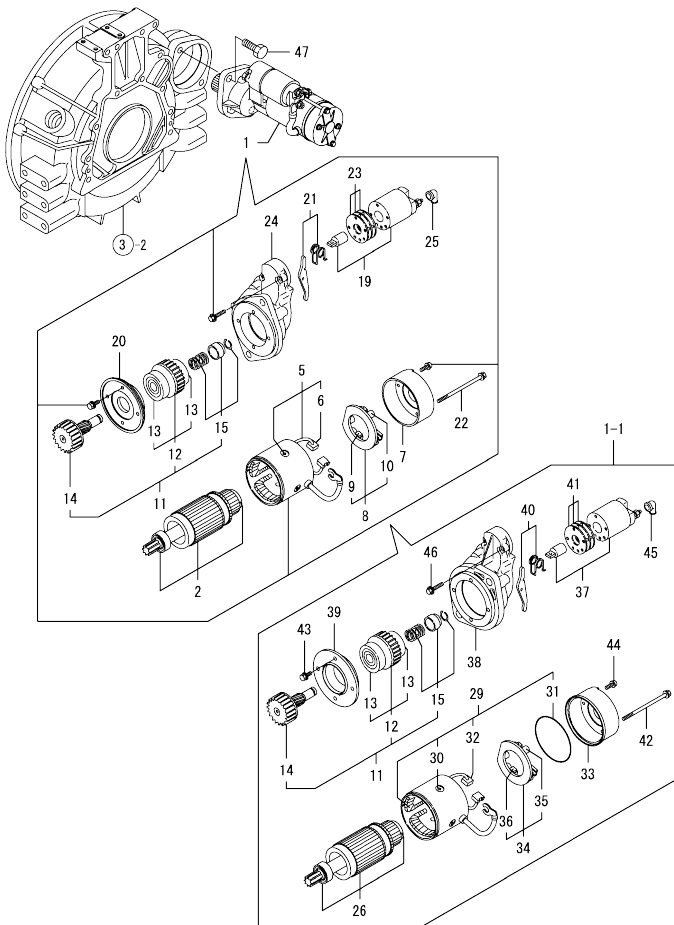
(A)=4TNV94L-PHYBW
(B)=4TNV94L-PHYBY
(C)=

(D)=
(E)=
(F)=

No.	Lev.	Parts No.	Description	Qty						I	R
				(A)	(B)	(C)	(D)	(E)	(F)		
1	1	123900-77010	STARTER ASSY	1							
1-1	1	129940-77010 (A=E32985)	STARTER ASSY	1	1						N
2	2	123900-77400 (A=E32985)	ARMATURE ASSY		1						Z
5	2	123900-77440 (A=E32985)	COIL ASSY, FIELD		1						Z
6	3	123900-77450 (A=E32985)	BRUSH		2						Z
7	2	123900-77460 (A=E32985)	COVER		1						Z
8	2	123900-77480 (A=E32985)	HOLDER ASSY, BRUSH		1						Z
9	3	123900-77450 (A=E32985)	BRUSH		2						Z
10	3	121254-77590 (A=E32985)	SPRING, BRUSH		4						Z
11	2	123900-77510	PINION ASSY	1	1						
12	3	123900-77520	CLUTCH ASSY	1	1						
13	4	X2240610100	BEARING, BALL	2	2						
14	3	123900-77540	SHAFT, PINION	1	1						
15	3	119131-77550	STOPPER SET, PINION	1	1						
19	2	129900-77591 (A=E32985)	SWITCH ASSY, MAGNET	1							Z
20	2	123900-77610 (A=E32985)	RETAINER, BEARING	1							Z
21	2	129900-77620 (A=E32985)	LEVER SET	1							Z
22	2	123900-77640 (A=E32985)	BOLT, THROUGH	2							Z
23	2	123900-77650 (A=E32985)	COVER KIT, DUST	1							Z
24	2	123900-77710 (A=E32985)	CASE, GEAR	1							Z
25	2	171008-77750 (A=E32985)	COVER, TERMINAL	1							Z
26	2	129940-77100 (A=E32985)	ARMATURE ASSY	1	1						W
29	2	129940-77130 (A=E32985)	COIL ASSY, FIELD	1	1						W
30	3	129940-77140 (A=E32985)	SCREW, CORE SET	4	4						W
31	3	129940-77150 (A=E32985)	O-RING	1	1						W
32	3	129940-77160 (A=E32985)	BRUSH	2	2						W
33	2	129940-77170 (A=E32985)	COVER	1	1						W
34	2	129940-77180 (A=E32985)	HOLDER ASSY, BRUSH	1	1						W
35	3	129940-77190	SPRING, BRUSH	1	1						W

N:Old $\frac{100}{100}$ New, Q:Old $\frac{100}{100}$ New, R:Old $\frac{100}{100}$ New, S:Old $\frac{100}{100}$ New, W:Add, Z:Discontinued, F:Interchangeable by set, K:Qty Change
 ++ CONTINUE ++
 Copyright (C) YANMAR GLOBAL CS CO., LTD. All Rights Reserved.

Fig.15. STARTING MOTOR

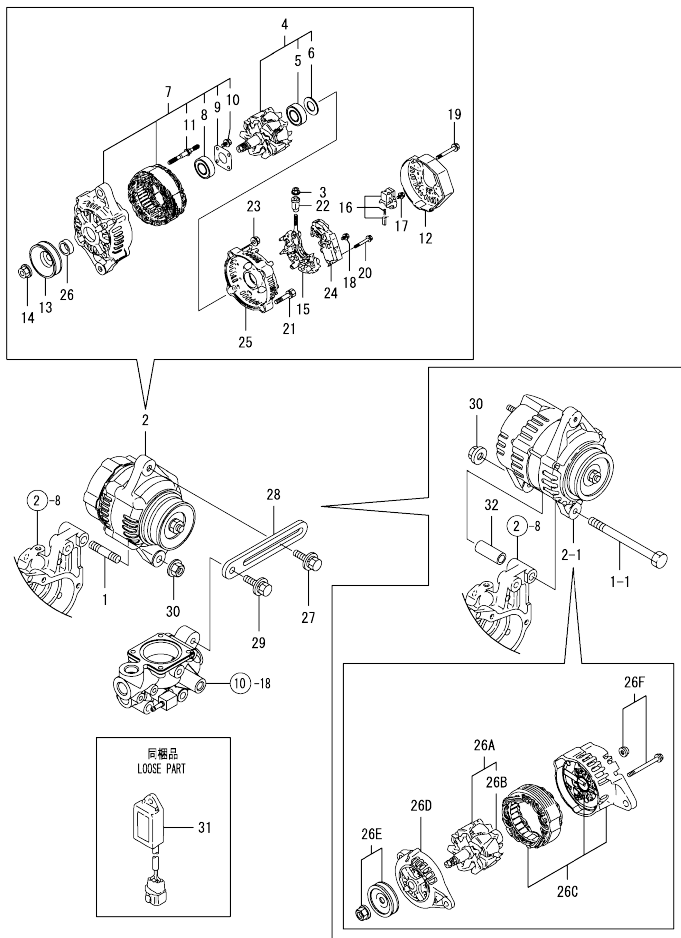


(A)=4TNV94L-PHYBW
(B)=4TNV94L-PHYBY
(C)=

(D)=
(E)=
(F)=

No.	Lev.	Parts No.	Description	Q'ty						I	R	
				(A)	(B)	(C)	(D)	(E)	(F)			
		(A=E32985)										
36	3	129940-77200	BRUSH		2	2						W
		(A=E32985)										
37	2	129940-77210	SWITCH ASSY, MAGNET		1	1						W
		(A=E32985)										
38	2	129940-77220	CASE, GEAR		1	1						W
		(A=E32985)										
39	2	129940-77230	RETAINER, BEARING		1	1						W
		(A=E32985)										
40	2	129940-77240	LEVER SET		1	1						W
		(A=E32985)										
41	2	129940-77250	COVER KIT, DUST		1	1						W
		(A=E32985)										
42	2	129940-77260	BOLT, THROUGH		2	2						W
		(A=E32985)										
43	2	129940-77270	BOLT		4	4						W
		(A=E32985)										
44	2	129940-77280	SCREW		2	2						W
		(A=E32985)										
45	2	121254-77810	COVER, TERMINAL		1	1						W
		(A=E32985)										
46	2	114371-79070	BOLT		2	2						W
		(A=E32985)										
47	1	26116-120252	BOLT, M12X 25 PLATED		2	2						

Fig.16. GENERATOR



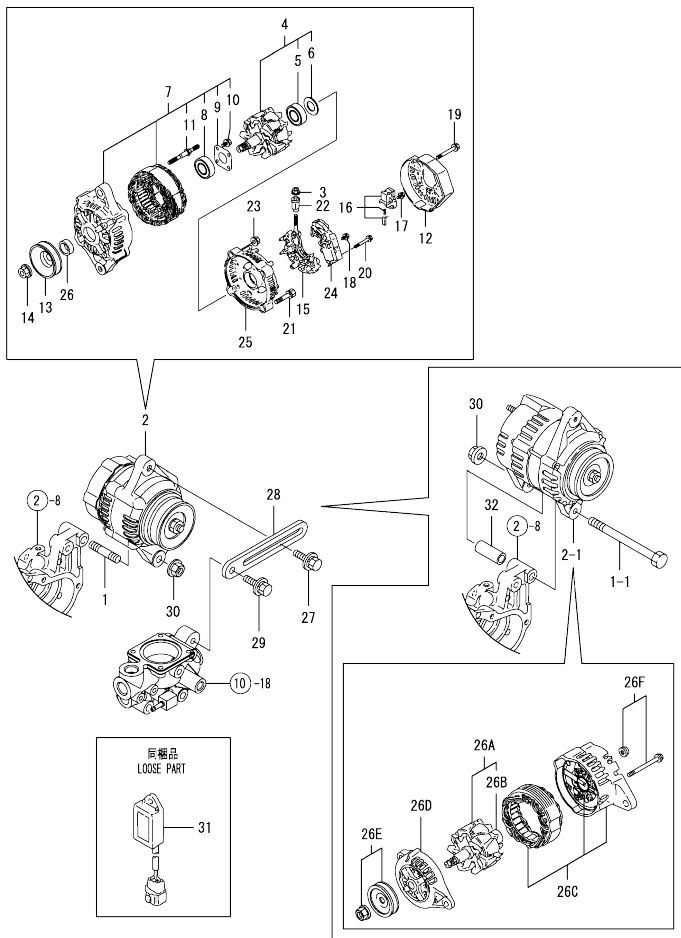
(A)=4TNV94L-PHYBW
(B)=4TNV94L-PHYBY
(C)=

(D)=
(E)=
(F)=

No.	Lev.	Parts No.	Description	Qty						I	R
				(A)	(B)	(C)	(D)	(E)	(F)		
1	1	129795-01900	BOLT, STUD M10X33	1							
1-1	1	26116-101202 (A=E24005)	BOLT, M10X120 PLATED	1							S
2	1	119626-77210	ALTERNATOR, 12V-55A	1							
2-1	1	123900-77210 (A=E24005)	ALTERNATOR, 12V-60A	1							N
3	2	X9490561001 (A=E24005)	NUT	1							Z
4	2	129052-77380 (A=E24005)	ROTOR ASSY	1							Z
5	3	123501-79240 (A=E24005)	BEARING, BALL	1							Z
6	3	119620-79250 (A=E24005)	COVER, BEARING	1							Z
7	2	129052-77422 (A=E24005)	FRAME ASSY	1							Z
8	3	119620-79200 (A=E24005)	BEARING, BALL	1							Z
9	3	119620-79210 (A=E24005)	RETAINER	1							Z
10	3	119620-79220 (A=E24005)	SCREW	4							Z
11	3	119620-79230 (A=E24005)	BOLT, STUD	2							Z
12	2	128401-77440 (A=E24005)	COVER	1							Z
13	2	119620-77461 (A=E24005)	PULLEY, GENERATOR	1							Z
14	2	119620-77471 (A=E24005)	NUT	1							Z
15	2	129052-79260 (A=E24005)	HOLDER	1							Z
16	2	129052-79270 (A=E24005)	HOLDER, BRUSH	1							Z
17	2	119620-79290 (A=E24005)	SCREW	6							Z
18	2	119620-79300 (A=E24005)	SCREW	1							Z
19	2	119620-79310 (A=E24005)	BOLT	3							Z
20	2	119620-79320 (A=E24005)	SCREW	2							Z
21	2	119620-79330 (A=E24005)	BOLT	2							Z
22	2	119620-79340 (A=E24005)	BUSH, INSULATION	1							Z
23	2	119620-79350 (A=E24005)	NUT	2							Z
24	2	129423-77710 (A=E24005)	REGULATOR ASSY	1							Z
25	2	119626-77450	FRAME	1							Z

N:Old $\frac{New}{Old}$ New, Q:Old $\frac{New}{Old}$ New, R:Old $\frac{New}{Old}$ New, S:Old $\frac{New}{Old}$ New, W:Add, Z:Discontinued, F:Interchangeable by set, K:Qty Change
 ++ CONTINUE ++
 Copyright (C) YANMAR GLOBAL CS CO., LTD. All Rights Reserved.

Fig.16. GENERATOR

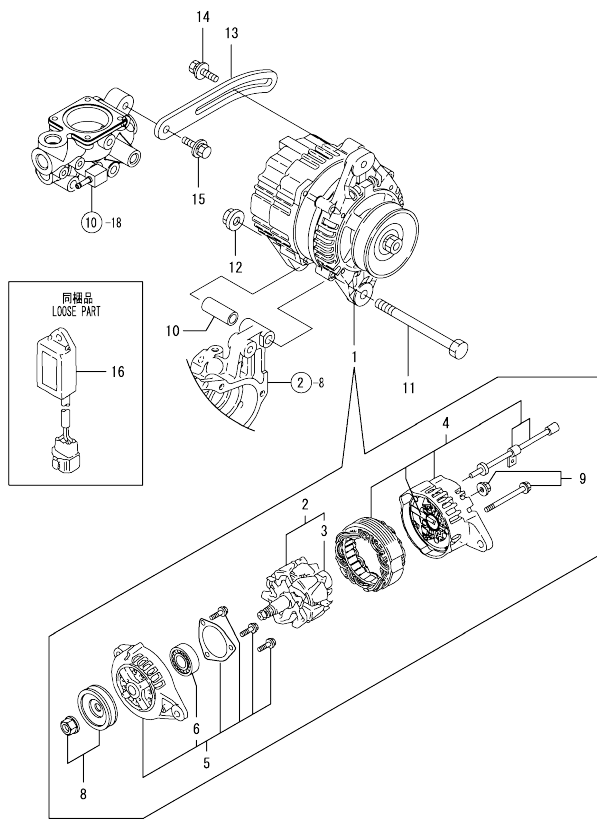


(A)=4TNV94L-PHYBW
(B)=4TNV94L-PHYBY
(C)=

(D)=
(E)=
(F)=

No.	Lev.	Parts No.	Description	Q'ty						I	R
				(A)	(B)	(C)	(D)	(E)	(F)		
		(A=E24005)									
26	2	119620-77490	COLLAR	1							Z
		(A=E24005)									
26A	2	123900-77700	ROTOR ASSY	1							W
		(A=E24005)									
26B	3	129612-77710	BEARING, BALL	1							W
		(A=E24005)									
26C	2	123900-77720	BRACKET ASSY	1							W
		(A=E24005)									
26D	2	123900-77730	BRACKET ASSY	1							W
		(A=E24005)									
26E	2	123900-77740	PULLEY, GENERATOR	1							W
		(A=E24005)									
26F	2	123900-77750	SCREW KIT	1							W
		(A=E24005)									
27	1	119810-77340	BOLT, ADJUST L=30	1							
28	1	129900-77330	ADJUSTER, BELT	1							
28-1	1	129916-77300	ADJUSTER, BELT	1							N
		(A=E24005)									
29	1	26014-080252	BOLT, M8X 25	1							
30	1	26306-100002	NUT, M10	1							
31	1	129211-77920	TIMER	1							
32	1	129470-77340	PIECE, DISTANCE	1							W
		(A=E24005)									

Fig.17. GENERATOR

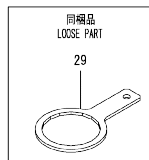
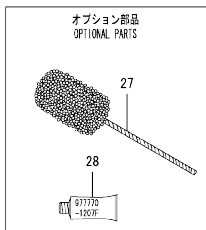
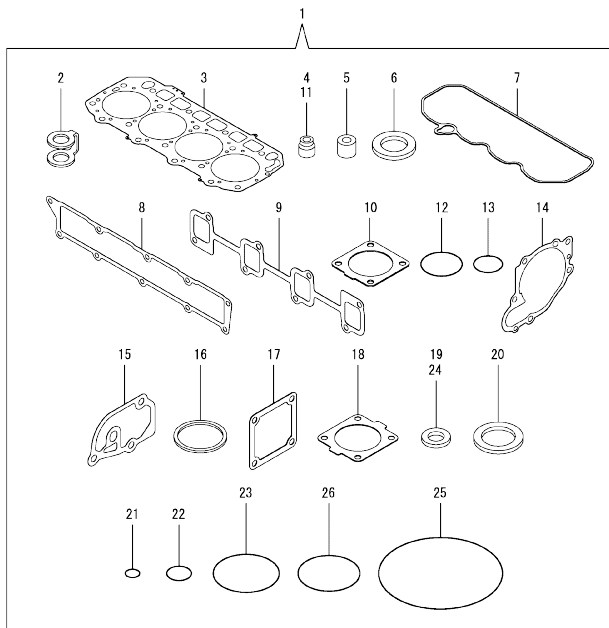


(A)=4TNV94L-PHYBW
(B)=4TNV94L-PHYBY
(C)=

(D)=
(E)=
(F)=

No.	Lev.	Parts No.	Description	Q'ty						I	R
				(A)	(B)	(C)	(D)	(E)	(F)		
1	1	123910-77210 (B=EZZZZZ)	ALTERNATOR, 12V-80A		1						Z
2	2	123910-77740	ROTOR ASSY		1						
3	3	129900-77810	BEARING, BALL		1						
4	2	123910-77760	BRACKET ASSY		1						
5	2	129900-77890	BRACKET ASSY		1						
6	3	129900-77900	BEARING, BALL		1						
8	2	123910-77910	PULLEY, GENERATOR		1						
9	2	129900-77920	SCREW KIT		1						
10	1	129470-77340 (B=EZZZZZ)	PIECE, DISTANCE		1						Z
11	1	26116-101202 (B=EZZZZZ)	BOLT, M10X120 PLATED		1						Z
12	1	26306-100002 (B=EZZZZZ)	NUT, M10		1						Z
13	1	129916-77300	ADJUSTER, BELT		1						
14	1	119810-77340	BOLT, ADJUST L=30		1						
15	1	26014-080252 (B=EZZZZZ)	BOLT, M8X 25		1						Z
16	1	129211-77920 (B=EZZZZZ)	TIMER		1						

Fig.18. GASKET SET



(A)=4TNV94L-PHYBW
(B)=4TNV94L-PHYBY
(C)=

(D)=
(E)=
(F)=

No.	Lev.	Parts No.	Description	Q'ty						I	R	
				(A)	(B)	(C)	(D)	(E)	(F)			
1	1	729906-92620	GASKET SET	1							1	
1-1	1	729906-92621	GASKET SET	1	1						N	1
		(A=E0000)										
1-2	1	129906-92660	GASKET SET	1	1						N	1
		(A=*2009.12) (B=*2009.12)										
2	2	123907-59550	GASKET		5	5						
3	2	129906-01340	GASKET, HEAD	1	1							
3-1	2	129906-01350	GASKET, HEAD	1	1						N	
		(A=*2009.12) (B=*2009.12)										
4	2	124160-11340	SEAL, VALVE STEM		8	8						
5	2	119802-11870	PROTECTOR, NOZZLE		4	4						
6	2	119625-11880	SEAT, NOZZLE		4	4						
7	2	129907-11310	GASKET, BONNET		1							
7-1	2	129933-11310	GASKET, BONNET		1	1					N	
		(A=E39532)										
8	2	129907-12110	GASKET, MANIFOLD		1	1						
9	2	129900-13251	GASKET, EXH.MANIFOLD		1	1						
10	2	129930-13200	GASKET, SILENCER		1							
10-1	2	129930-13201	GASKET, SILENCER		1	1					N	
		(A=E07917)										
11	2	124950-11340	SEAL, VALVE STEM		8							
11-1	2	119803-11340	SEAL, VALVE STEM		8	8					N	
		(A=E28613)										
12	2	129900-32030	O-RING, P20		2	2						
13	2	129900-32040	O-RING, P14		1	1						
14	2	129900-42020	GASKET, WATER PUMP		1	1						
15	2	129900-49870	GASKET, THERMOSTAT		1	1						
16	2	121850-49550	GASKET, THERMOSTAT		1	1						
17	2	121850-77021	GASKET, AIR HEATER		1	1						
18	2	121850-49540	GASKET, THERMOSTAT		1	1						
19	2	23414-080000	GASKET, 8X1.0		3							
19-1	2	23414-080000	GASKET, 8X1.0		1	1					K	
		(A=E05410)										
20	2	124465-44950	GASKET, 16		2	2						
21	2	24311-000070	O-RING, 1AP7.0		1	1						
22	2	24311-000120	O-RING, 1AP12.0		8	8						
23	2	24311-000320	O-RING, 1AP32.0		3	3						
24	2	22190-080002	WASHER, SEAL 6		7	7						
25	2	24341-000530	O-RING, 1AS53.0		1	1						
26	2	24351-030750	O-RING, 1A3075		1	1						
27	1	129400-92440	HONE, FLEX		1	1						1
28	1	977770-1207F	GASKET LIQUID		1	1						1
29	1	119640-92750	TOOL, FILTER WRENCH		1	1						W
		(A=E0000)										

Remarks
(1) OPTIONAL PART.

Parts No. Index

Parts No.	Fig. No.	Ref. No.	Parts No.	Fig. No.	Ref. No.	Parts No.	Fig. No.	Ref. No.	Parts No.	Fig. No.	Ref. No.
105025-59750	14	7	119803-11340	4	18 -1	123907-11280	4	33	129150-11750	4	21
105582-59150	10	25		18	11 -1	123907-11550	4	3			37
114250-53080	13	5	119810-77340	16	27	123907-11601	13	25			41
114250-53120	13	9		17	14	123907-11820	4	9	129150-14200	7	1
114250-53130	13	10	120130-22301	8	22	123907-11830	4	22	129150-25920	7	14
114250-53140	13	11	121252-39450	9	12	123907-25909	7	17	129150-35153	9	4
114250-53210	13	12	121254-77590	15	10	123907-39500	9	15	129150-59131	13	30
114250-53400	13	13	121254-77810	15	45	123907-55800	14	2			34
114371-79070	15	46	121450-42450	10	36	123907-55801	14	2 -1	129155-51280	12	5
119000-35140	9	3	121520-34810	9	2	123907-59540	14	13	129155-61460	12	30
119005-12060	5	8	121750-59890	14	26	123907-59550	14	14	129211-77920	16	31
119005-35151	9	25	121850-21130	8	12		18	2		17	16
119117-44760	10	16	121850-21290	8	5	123907-59560	14	18	129242-55710	14	27
119131-18320	6	5	121850-21920	8	6	123910-77210	17	1	129242-55720	14	28
119131-77550	15	15	121850-49540	10	20	123910-77740	17	2	129242-55730	14	29
119233-77932	12	130		18	18	123910-77760	17	4	129242-55740	14	30
119305-59120	13	27	121850-49550	10	21	123910-77910	17	8	129242-55750	14	31
119593-11301	4	28		18	16	123944-61420	12	23	129242-55760	14	32
119620-01750	3	12	121850-49800	10	23	123944-61430	12	24	129242-55770	14	33
119620-11180	4	16	121850-77021	5	5	124160-01751	2	35	129245-55710	14	27 -1
119620-77461	16	13		18	17		4	50	129245-55720	14	28 -1
119620-77471	16	14	122780-59100	13	26	124160-11340	4	17	129255-61410	12	22
119620-77490	16	26	123501-79240	16	5		18	4	129400-92440	18	27
119620-79200	16	8	123900-13610	6	3	124160-11360	4	65	129423-77710	16	24
119620-79210	16	9	123900-13630	6	4	124465-44950	10	37	129457-59010	14	4
119620-79220	16	10	123900-25060	7	10		18	20	129470-77340	16	32
119620-79230	16	11	123900-77010	15	1	124722-59050	10	41		17	10
119620-79250	16	6	123900-77210	16	2 -1		14	44	129486-59551	14	15
119620-79290	16	17	123900-77400	15	2		14	16	129509-51390	11	20 A
119620-79300	16	18	123900-77440	15	5	124766-59050	14	5	129550-59120	13	31
119620-79310	16	19	123900-77450	15	6		9	9	129612-52100	14	20
119620-79320	16	20		9	9	124950-11340	4	18	129612-77710	16	26 B
119620-79330	16	21	123900-77460	15	7		18	11	129795-01900	16	1
119620-79340	16	22	123900-77480	15	8	128401-77440	16	12	129900-01200	1	31
119620-79350	16	23	123900-77510	15	11	129001-91810	2	24	129900-01250	1	5
119625-11880	4	26	123900-77520	15	12		25	25	129900-01850	2	41
	18	6	123900-77540	15	14	129004-55610	14	1	129900-01870	2	42
119626-77210	16	2	123900-77610	15	20	129004-55611	14	1 -1	129900-02020	1	7
119626-77450	16	25	123900-77640	15	22	129004-55612	14	1 -2	129900-02340	1	34
119640-61400	4	62	123900-77650	15	23	129005-59830	9	17	129900-02341	1	34 -1
119640-92750	18	29	123900-77700	16	26 A	129052-77380	16	4	129900-02410	1	10
119660-61901	12	61	123900-77710	15	24	129052-77422	16	7	129900-02930	1	25
119802-11870	4	68	123900-77720	16	26 C	129052-79260	16	15	129900-02931	1	25 -1
	18	5	123900-77730	16	26 D	129052-79270	16	16	129900-02940	1	37
119802-51590	11	59	123900-77740	16	26 E	129100-01580	2	5	129900-02941	1	37 -1
119802-51600	11	60	123900-77750	16	26 F		3	1	129900-07900	4	1
119802-51680	11	64	123907-03100	4	55	129100-55690	14	23	129900-13200	6	1
119802-51690	11	65	123907-03110	4	56	129150-02450	7	4	129900-13251	6	2
119802-55710	14	22	123907-03120	4	57	129150-11230	4	36		18	9
119802-55730	14	25 A	123907-03140	4	58		40	40	129900-14100	7	7

Parts No. Index

Parts No.	Fig. No.	Ref. No.	Parts No.	Fig. No.	Ref. No.	Parts No.	Fig. No.	Ref. No.	Parts No.	Fig. No.	Ref. No.
129900-21200	8	4	129907-01190	1	33	129915-77050	5	6	129960-21640	8	8
129900-21600	8	15	129907-01331	1	32 -1	129915-77051	5	6 -1	129980-59510	14	11
129900-23000	8	24	129907-01950	11	129	129916-01790	3	7	129981-01600	3	2
129900-23001	8	24 -1	129907-03010	4	52	129916-01800	2	4	129981-59010	14	8
129900-23200	8	28	129907-03011	4	52 -1	129916-21610	8	10	144626-51090	11	9
129900-23600	8	29	129907-03060	4	53	129916-21620	8	9 -1	158552-51570	11	54
129900-23601	8	29 -1	129907-03061	4	53 -1	129916-21680	8	9	158552-51571	11	54 -1
129900-23610	8	32	129907-03070	4	54	129916-22950	8	36 -1	158552-51580	11	58
129900-23611	8	32 -1	129907-11100	4	13	129916-42410	10	14 -1	158552-51670	11	125
129900-23910	8	31	129907-11110	4	14	129916-44770	10	17	158552-51781	11	96
129900-23911	8	31 -1	129907-11120	4	15	129916-49530	10	19	158552-52100	11	102
129900-25100	7	11	129907-11250	4	30	129916-59020	11	127	158552-52310	11	104
129900-32001	2	11	129907-11260	4	31	129916-77300	16	28 -1	158552-52400	11	105
129900-32030	2	22	129907-11270	4	32		17	13	158552-52500	11	103
	9	5	129907-11310	4	61	129927-42140	2	23 A	158552-61900	12	75
	18	12		18	7	129928-42410	10	14 -2	158553-51551	11	51
129900-32040	2	23	129907-11320	4	51	129930-13200	6	7	158553-51630	11	69
	18	13	129907-11321	4	51 -1		18	10	158553-51640	11	71
129900-34800	9	1	129907-11341	4	29	129930-13201	6	7 -1	158553-51660	11	73
129900-35000	9	6	129907-11510	4	19		18	10 -1	158553-51670	11	63
129900-42020	10	11	129907-11650	4	34	129930-42450	10	14	158553-51680	11	74
	18	14	129907-11660	4	38	129933-11310	4	61 -1	158557-51570	11	55
129900-49870	10	32	129907-11700	4	4		18	7 -1	158560-51600	11	68
	18	15	129907-11800	4	25	129940-01720	3	13	158560-61050	12	2
129900-77330	16	28	129907-11910	4	47	129940-77010	15	1 -1	158560-61061	12	87
129900-77591	15	19	129907-11920	4	42	129940-77100	15	26	158560-61071	12	3
129900-77620	15	21	129907-11950	4	48	129940-77130	15	29	158560-61430	12	26
129900-77810	17	3	129907-12100	5	1	129940-77140	15	30	158560-61442	12	27
129900-77890	17	5	129907-12110	5	2	129940-77150	15	31	158563-51150	7	18
129900-77900	17	6		18	8	129940-77160	15	32	158563-51281	11	19
129900-77920	17	9	129907-14400	7	2	129940-77170	15	33		20	
129902-21000	8	1	129907-14581	7	3	129940-77180	15	34	158563-51330	11	29
129906-01340	1	32	129907-25900	7	17 -1	129940-77190	15	35	158600-51270	11	18
	18	3	129907-39061	9	13	129940-77200	15	36	158601-51550	11	52
129906-01350	1	32 -2	129907-42000	10	1	129940-77210	15	37	158601-51570	11	56
	18	3 -1	129907-49610	10	38	129940-77220	15	38	158601-51650	11	72
129906-01640	3	9	129907-49620	10	42	129940-77230	15	39	158601-51770	11	95
		14	129907-49710	10	39	129940-77240	15	40	158601-51790	11	97
129906-01720	3	8	129907-49720	10	43	129940-77250	15	41	171008-77750	15	25
129906-01960	11	130	129907-49730	10	22	129940-77260	15	42	171031-11741	2	37
129906-22050	8	18	129907-49750	10	40	129940-77270	15	43	171051-01921	1	6
129906-22080	8	16	129907-51560	11	53	129940-77280	15	44	171056-49120	10	31
129906-22090	8	16 -1	129907-55801	14	2 -2	129944-01500	2	8	22190-080002	9	18
129906-22900	8	34 -1	129907-59140	14	12	129946-49810	10	18		20	
129906-22910	8	34 -2	129907-59710	13	35	129950-59221	14	10		22	
129906-34851	9	24	129907-59810	13	37	129951-01740	2	6		14	19
129906-51580	11	57	129907-59820	13	38	129953-21581	8	13		18	24
129906-53000	13	2	129907-59830	13	39	129953-25300	7	16	22190-120002	11	98
129906-55700	14	21	129907-59840	13	40	129953-35000	9	26		107	
129906-92660	18	1 -2	129908-14581	7	3 -1	129957-59120	14	6		108	

Parts No. Index

Parts No.	Fig. No.	Ref. No.
22190-160002	12	79
22190-180002	11	99
		109
22217-180000	7	19
	11	110
22252-000300	8	23
22312-050140	11	111
22351-050010	11	112
22351-060012	1	11
22512-070140	7	8
	8	7
22857-500100	4	63
		64
23387-040800	10	26
23414-080000	10	27
		33
	18	19
		19 -1
23857-030000	9	19
23857-060000	11	113
23875-030000	10	28
23876-020000	4	10
23876-030000	1	12
		13
		14
	4	11
23887-120002	11	100
23887-160002	12	82
24311-000070	2	26
	11	114
	18	21
24311-000120	4	27
		66
	18	22
24311-000160	14	25
		34
24311-000320	2	39
		40
	4	67
	18	23
24321-000650	14	24
24321-000750	14	35
24341-000530	8	11
	18	25
24351-030750	2	27
	18	26
24356-010200	11	66
		115
24356-020210	11	116
24372-000150	11	67

Parts No.	Fig. No.	Ref. No.
25132-004100	10	15
25153-004400	10	15 -1
		15 -2
		45
26014-080162	10	17 -2
26014-080252	16	29
	17	15
26106-060102	11	117
	12	25
		65
		66
26106-060122	10	29
		29 -1
26106-060142	12	83
26106-060162	13	41
26106-060202	10	30
26106-060252	12	84
26106-060302	10	12
26106-060352	11	118
26106-060402	12	85
26106-080122	3	11
	9	11
		21
		23
	10	34
26106-080162	2	28
		29
		36
	4	2
	7	9
	9	31
	11	131
26106-080182	13	42
26106-080202	2	30
26106-080222	11	132
		133
26106-080302	14	3
26106-080352	5	7
26106-080402	2	31
		32
	4	44
26106-080452	2	33
26106-080552	5	3
	7	15
	10	13
26106-080602	4	45
		46
	10	35
26106-080802	10	17 -1
26106-080852	5	4

Parts No.	Fig. No.	Ref. No.
26106-100202	11	134
26116-101202	16	1 -1
	17	11
26116-120252	15	47
26206-100352	3	5
26206-100702	3	6
26216-100302	2	10
26226-080222	4	43
26306-080002	4	49
	6	6
26306-100002	2	34
	16	30
	17	12
26450-100452	11	121
26756-060002	12	67
26776-180002	7	20
	11	122
27241-300000	1	15
27241-400000	4	12
27310-070001	4	23
729900-02800	1	28
729900-02801	1	28 -1
729906-01560	1	1
729906-22900	8	34
729906-22950	8	36
729906-51310	11	1
729906-51311	11	1 -1
729906-51312	11	1 -2
729906-53100	13	1
729906-92620	18	1
729906-92621	18	1 -1
729907-01559	2	1
977770-1207F	2	38
	3	4
	4	69
	18	28
X2240610100	15	13
X9490561001	16	3

Parts No.	Fig. No.	Ref. No.
-----------	----------	----------