

0CD50-M04040EN

P R E F A C E

This parts catalog is the 1st edition of 4TNV94L-ZWWN for Wacker Neuson China.

Published : August, 2018

Contents

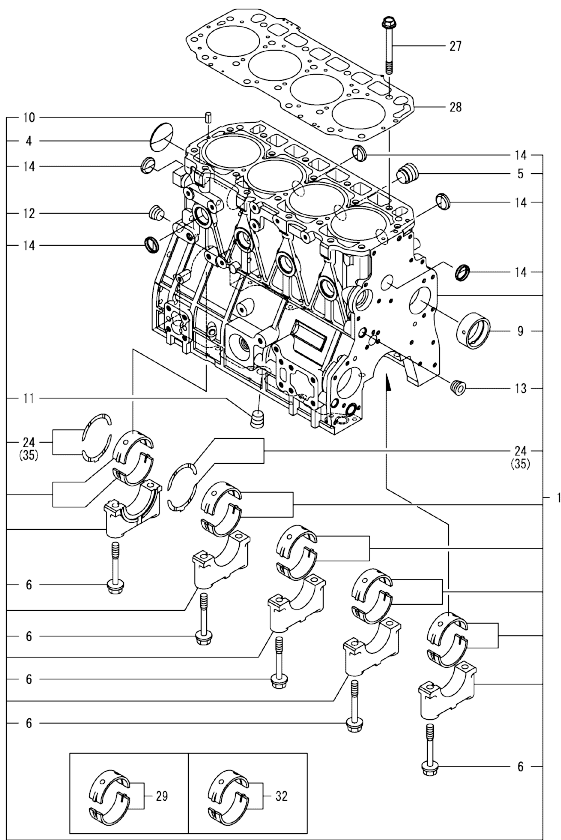
OCD50-M04040

Fig. No.	Fig. Name	Fig. No.	Fig. Name
ENGINE			
1.	CYLINDER BLOCK		
2.	GEAR HOUSING		
3.	FLYWHEEL HOUSING & OIL SUMP		
4.	CYLINDER HEAD & BONNET		
5.	SUCTION MANIFOLD		
6.	EXHAUST MANIFOLD		
7.	CAMSHAFT & DRIVING GEAR		
8.	CRANKSHAFT & PISTON		
9.	LUB. OIL SYSTEM		
10.	COOLING WATER SYSTEM		
11.	FUEL INJECTION PUMP		
12.	GOVERNOR		
13.	FUEL INJECTION VALVE		
14.	FUEL PIPE		
15.	STARTER MOTOR		
16.	GENERATOR		
17.	ELECTRONIC CONTROL UNIT(ECU)		
18.	ACCESSORY		
19.	GASKET SET		

Fig.1. CYLINDER BLOCK

(A)=4TNV94L-ZWWN
(B)=
(C)=

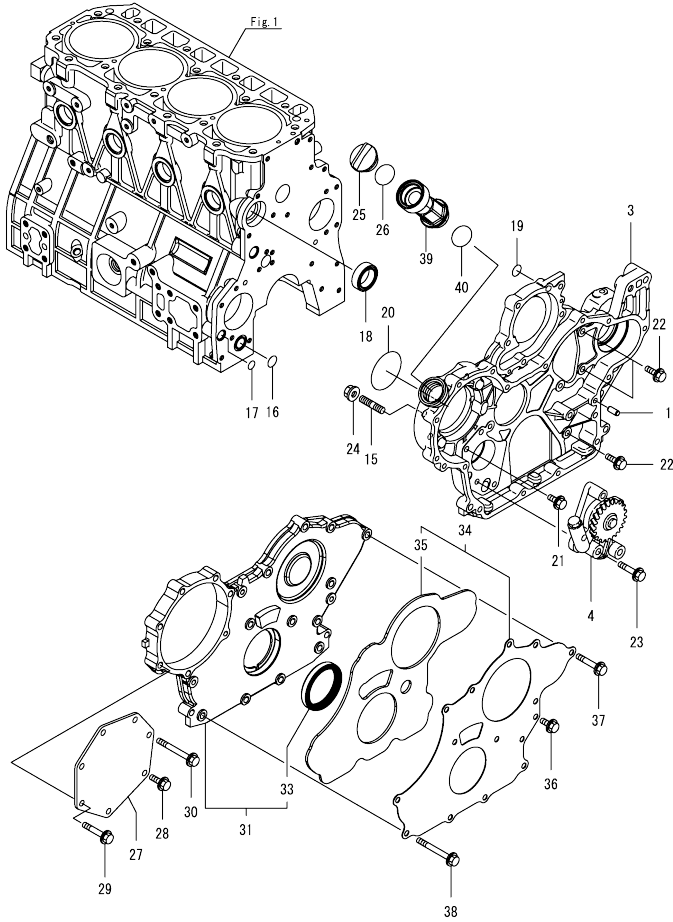
(D)=
(E)=
(F)=



No.	Lev.	Parts No.	Description	Q'ty						I	R
				(A)	(B)	(C)	(D)	(E)	(F)		
1	1	729906-01561	BLOCK ASSY, CYLINDER	1							
4	2	129900-01250	PLUG, 55	1							
5	2	171051-01921	PLUG, NPTF1	1							
6	2	129900-02020	BOLT, METAL CAP	10							
9	2	129900-02410	BUSH, CAMSHAFT	1							
10	2	22351-060012	PIN, SPRING 6.0X12	2							
11	2	23876-030000	PLUG, R03	1							
12	2	23876-030000	PLUG, R03	1							
13	2	23876-030000	PLUG, R03	1							
14	2	27241-300000	PLUG 30	8							
24	2	129927-02930	BEARING ASSY, THRUST	2							
27	1	129900-01200	BOLT, CYLINDER HEAD	18							
28	1	129907-01331	GASKET, HEAD	1							
29	1	729927-02800	BEARING ASSY, MAIN	5							1
32	1	129927-02340	BEARING ASSY, MAIN US	5							2
35	1	129927-02940	BEARING, THRUST 0.25OS	2							3

Remarks
(1) Spare parts.
(2) Under-sized (U.S.=0.25) parts.
(3) Over-sized (O.S.=0.25) parts.

Fig.2. GEAR HOUSING

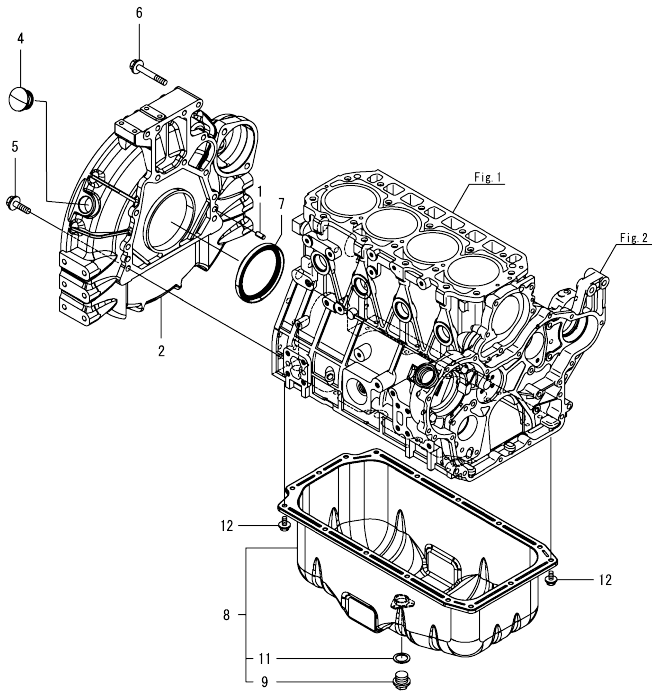


(A)=4TNV94L-ZWWN
(B)=
(C)=

(D)=
(E)=
(F)=

No.	Lev.	Parts No.	Description	Qty						I	R
				(A)	(B)	(C)	(D)	(E)	(F)		
1	1	129100-01580	PIN, PARALLEL 8X16	4							
3	1	129938-01500	CASE ASSY, GEAR	1							
4	1	129900-32001	PUMP ASSY, OIL	1							
15	1	26216-100302	STUD, M10X 30	4							
16	1	129900-32030	O-RING, P20	1							
17	1	129900-32040	O-RING, P14	1							
18	1	129927-42140	GASKET, PUMP OUTLET	1							
19	1	24311-000070	O-RING, 1AP7.0	1							
20	1	24351-030750	O-RING, 1A3075	1							
21	1	26106-080162	BOLT, M8X 16 PLATED	1							
22	1	26106-080202	BOLT, M8X 20 PLATED	3							
23	1	26106-080452	BOLT, M8X 45 PLATED	3							
24	1	26306-100002	NUT, M10	4							
25	1	124160-01751	CAP, FILLER	1							
26	1	24311-000320	O-RING, 1AP32.0	1							
27	1	129951-01740	COVER, PUMP TIMING	1							
28	1	26106-080202	BOLT, M8X 20 PLATED	1							
29	1	26106-080452	BOLT, M8X 45 PLATED	5							
30	1	26106-080752	BOLT, M8X 75 PLATED	1							
31	1	729907-01559	COVER ASSY, CASE	1							
33	2	129916-01800	SEAL, OIL	1							
34	1	129900-01850	COVER ASSY, CASE	1							
35	2	129900-01870	SPONGE, COVER	1							
36	1	26106-080162	BOLT, M8X 16 PLATED	3							
37	1	26106-080402	BOLT, M8X 40 PLATED	5							
38	1	26106-080702	BOLT, M8X 70 PLATED	6							
39	1	121027-11743	PIPE, FILLER	1							
40	1	24311-000320	O-RING, 1AP32.0	1							

Fig.3. FLYWHEEL HOUSING & OIL SUMP

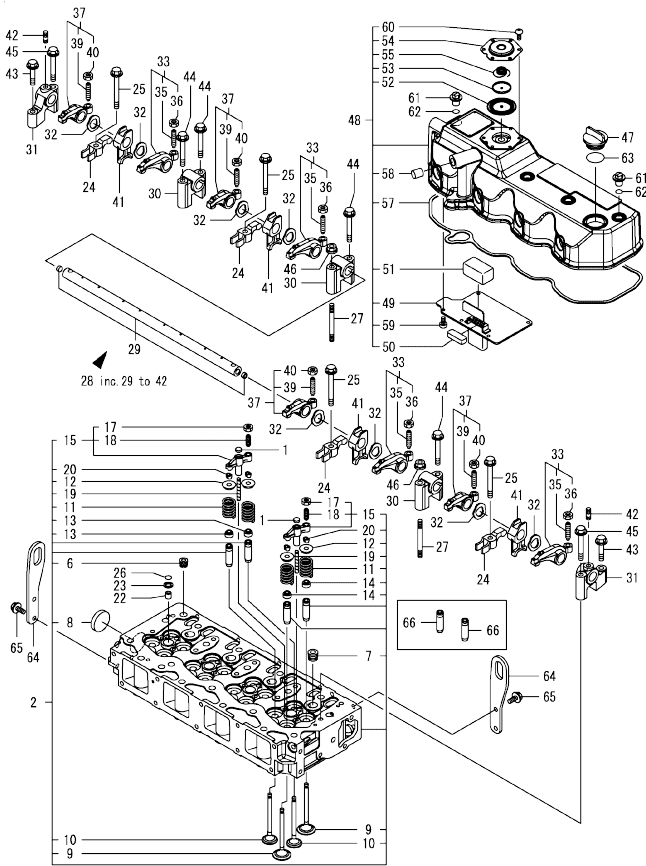


(A)=4TNV94L-ZWWN
(B)=
(C)=

(D)=
(E)=
(F)=

No.	Lev.	Parts No.	Description	Q'ty						I	R
				(A)	(B)	(C)	(D)	(E)	(F)		
1	1	129100-01580	PIN, PARALLEL 8X16	2							
2	1	129900-01620	HOUSING, FLYWHEEL	1							
4	1	119620-01750	CAP, WHEEL COVER	1							
5	1	26206-100352	BOLT, M10X 35 PLATED	9							
6	1	26206-100702	BOLT, M10X 70 PLATED	4							
7	1	129916-01790	SEAL, D115/95XT11	1							
8	1	129916-01710	OIL PAN ASSY	1							
9	2	119640-01640	PLUG, DRAIN M22	1							
11	2	22190-220002	WASHER, SEAL 22	1							
12	1	26106-080122	BOLT, M8X 12 PLATED	16							

Fig.4. CYLINDER HEAD & BONNET



(A)=4TNV94L-ZWWN
(B)=
(C)=

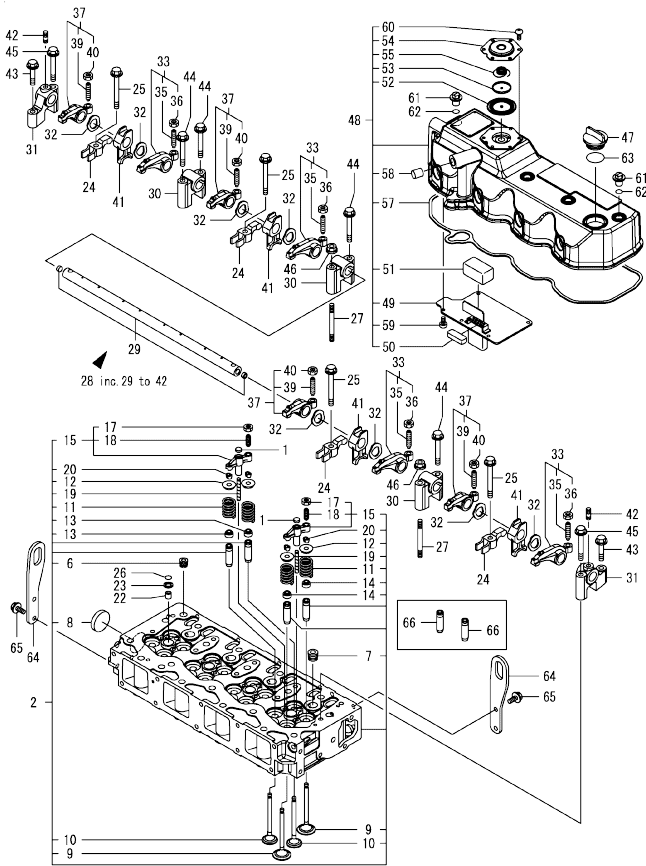
(D)=
(E)=
(F)=

No.	Lev.	Parts No.	Description	Q'ty						I	R
				(A)	(B)	(C)	(D)	(E)	(F)		
1	1	123907-11550	SEAT, VALVE BRIDGE	8							
2	1	129907-11700	HEAD ASSY, CYLINDER	1							
6	2	23876-020000	PLUG, R02	1							
7	2	23876-030000	PLUG, R03	4							
8	2	27241-400000	PLUG, 40	1							
9	2	129907-11100	VALVE, INTAKE	8							
10	2	129907-11110	VALVE, EXHAUST	8							
11	2	129907-11120	SPRING, VALVE	16							
12	2	119620-11180	RETAINER, SPRING	16							
13	2	119803-11340	SEAL, VALVE STEM	8							
14	2	124160-11340	SEAL, VALVE STEM	8							
15	2	129907-11510	BRIDGE ASSY, VALVE	8							
17	3	129150-11750	NUT, M8XP1.0	8							
18	3	123907-11830	ADJUSTER, BRIDGE	8							
19	2	123907-11820	GUIDE, BRIDGE	8							
20	2	27310-070001	COTTER, 7	16							
22	1	119802-11870	PROTECTOR, NOZZLE	4							
23	1	119625-11880	SEAT, NOZZLE	4							
24	1	129907-11960	RETAINER, NOZZLE	4							
25	1	129907-11950	BOLT, VALVE HOLDER	4							
26	1	24311-000120	O-RING, 1AP12.0	4							
27	1	119593-11301	STUD, M8X80	2							
28	1	129907-11341	SUPPORT ASSY, ROCKER	1							
29	2	129907-11250	SHAFT, ROCKER ARM	1							
30	2	129907-11260	SUPPORT, ROCKER A	3							
31	2	129907-11270	SUPPORT, ROCKER B	2							
32	2	123907-11280	WASHER, WAVE	8							
33	2	129907-11650	ARM ASSY, ROCKER INT	4							
35	3	129150-11230	SCREW, VALVE ADJUST	4							
36	3	129150-11750	NUT, M8XP1.0	4							
37	2	129907-11660	ARM ASSY, ROCKER EXH	4							
39	3	129150-11230	SCREW, VALVE ADJUST	4							
40	3	129150-11750	NUT, M8XP1.0	4							
41	2	129907-11920	RETAINER, NOZZLE	4							
42	2	26226-080222	STUD, M8X 22	2							
43	1	26106-080402	BOLT, M8X 40 PLATED	2							
44	1	26106-080602	BOLT, M8X 60 PLATED	4							
45	1	26106-080602	BOLT, M8X 60 PLATED	2							
46	1	26306-080002	NUT, M8	2							
47	1	124160-01751	CAP, FILLER	1							
48	1	129907-11321	BONNET ASSY, HEAD	1							
49	2	129907-03011	PLATE, BAFFLE	1							
50	2	129907-03061	BAFFLE, BREATHER	1							
51	2	129907-03070	BAFFLE, BREATHER	1							
52	2	123907-03100	DIAPHRAGM, BREATHER	1							
53	2	123907-03110	PLATE, CENTER	1							
54	2	123907-03120	PLATE, BREATHER	1							
55	2	123907-03140	SPRING, DIAPHRAGM	1							
57	2	129933-11310	GASKET, BONNET	1							
58	2	119640-61400	PLUG	1							
59	2	22857-500100	SCREW, 5X10	6							

Remarks
(1)Spare parts.

N:Old $\frac{New}{Old}$ New, Q:Old $\frac{New}{Old}$ New, R:Old $\frac{New}{Old}$ New, S:Old $\frac{New}{Old}$ New, W:Add, Z:Discontinued, F:Interchangeable by set, K:Qty Change
++ CONTINUE ++
Copyright (C) 2018 YANMAR GLOBAL CS CO., LTD. All Rights Reserved.

Fig.4. CYLINDER HEAD & BONNET



(A)=4TNV94L-ZWWN
(B)=
(C)=

(D)=
(E)=
(F)=

No.	Lev.	Parts No.	Description	Q'ty						I	R
				(A)	(B)	(C)	(D)	(E)	(F)		
60	2	22857-500100	SCREW, 5X10	6							
61	1	124160-11360	KNOB, BONNET	4							
62	1	24311-000120	O-RING, 1AP12.0	4							
63	1	24311-000320	O-RING, 1AP32.0	1							
64	1	129907-07900	LIFTER, ENGINE	2							
65	1	26106-080162	BOLT, M8X 16 PLATED	4							
66	1	129907-11800	GUIDE, VALVE	16							1

Remarks

(1) Spare parts.

Fig.5. SUCTION MANIFOLD

(A)=4TNV94L-ZWWN
(B)=
(C)=

(D)=
(E)=
(F)=

No.	Lev.	Parts No.	Description	Q'ty						I	R
				(A)	(B)	(C)	(D)	(E)	(F)		
1	1	129907-12100	MANIFOLD, INTAKE	1							
2	1	129907-12110	GASKET, MANIFOLD	1							
3	1	26106-080552	BOLT, M8X 55 PLATED	9							
4	1	26106-080852	BOLT, M8X 85 PLATED	1							
5	1	121850-77021	GASKET, AIR HEATER	1							
6	1	129915-77051	HEATER, AIR 12V	1							
7	1	26106-080352	BOLT, M8X 35 PLATED	4							

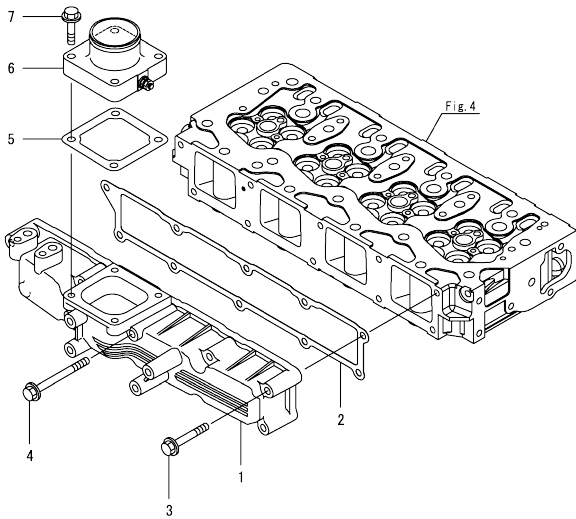
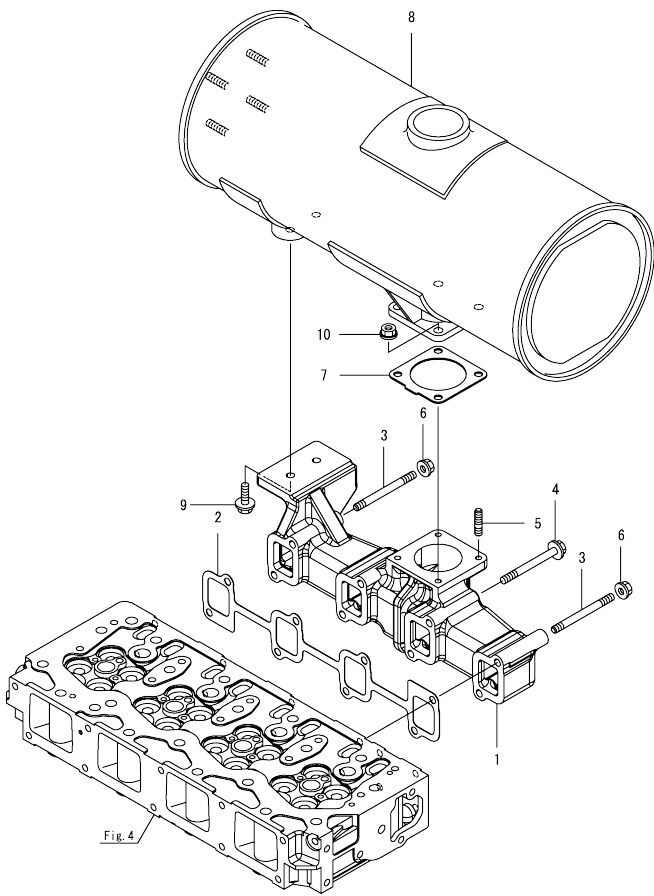


Fig.6. EXHAUST MANIFOLD

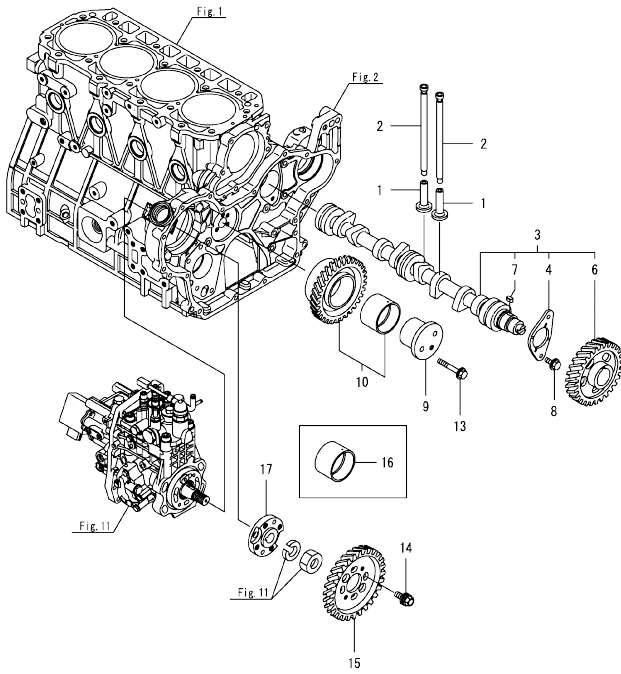


(A)=4TNV94L-ZWWN
(B)=
(C)=

(D)=
(E)=
(F)=

No.	Lev.	Parts No.	Description	Q'ty						I	R
				(A)	(B)	(C)	(D)	(E)	(F)		
1	1	129907-13201	MANIFOLD, EXHAUST	1							
2	1	129900-13251	GASKET, MANIFOLD	1							
3	1	123900-13610	STUD, M8X80	2							
4	1	129E00-13640	BOLT, M8X80 10.9T	6							
5	1	119131-18320	STUD, M8X22	4							
6	1	26306-080002	NUT, M8	2							
7	1	129930-13201	GASKET, SILENCER	1							
8	1	129907-13550	SILENCER	1							
9	1	26106-080252	BOLT, M8X 25 PLATED	2							
10	1	26306-080002	NUT, M8	4							

Fig.7. CAMSHAFT & DRIVING GEAR



(A)=4TNV94L-ZWWN
(B)=
(C)=

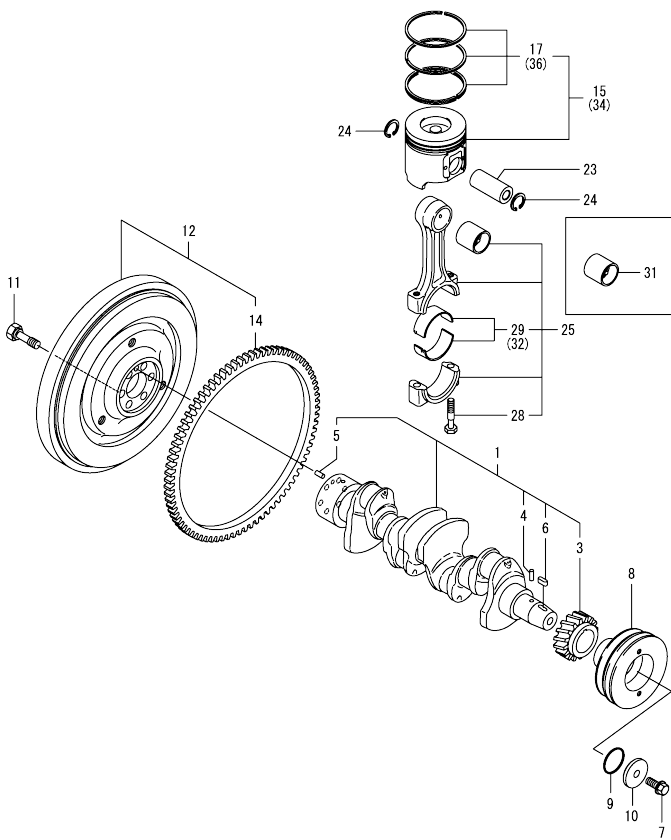
(D)=
(E)=
(F)=

No.	Lev.	Parts No.	Description	Q'ty						I	R
				(A)	(B)	(C)	(D)	(E)	(F)		
1	1	129150-14200	TAPPET	8							
2	1	129907-14400	ROD, PUSH	8							
3	1	129932-14580	CAMSHAFT ASSY	1							
4	2	129150-02450	METAL, THRUST	1							
6	2	129900-14100	GEAR, CAMSHAFT	1							
7	2	22512-070140	KEY, 7X 14	1							
8	1	26106-080142	BOLT, M8X 14 PLATED	2							
9	1	123900-25060	SHAFT, IDLE GEAR	1							
10	1	129927-25100	GEAR ASSY, IDLE	1							
13	1	26106-080552	BOLT, M8X 55 PLATED	3							
14	1	129953-25300	BOLT, PUMP BODY	4							
15	1	129907-25900	GEAR, PUMP	1							
16	1	129927-25920	BUSH, IDLE GEAR	1							1
17	1	158563-51150	FLANGE	1							

Remarks

(1)Spare parts.

Fig.8. CRANKSHAFT & PISTON

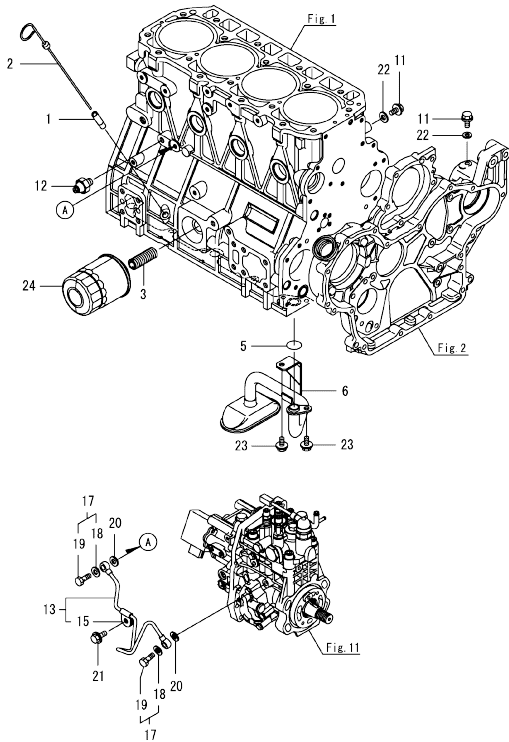


(A)=4TNV94L-ZWWN
(B)=
(C)=

(D)=
(E)=
(F)=

No.	Lev.	Parts No.	Description	Q'ty						I	R
				(A)	(B)	(C)	(D)	(E)	(F)		
1	1	129902-21000	CRANKSHAFT ASSY	1							
3	2	129900-21200	GEAR, CRANKSHAFT	1							
4	2	121850-21290	PIN, CRANK GEAR	1							
5	2	121850-21920	PIN, PARALLEL 10X22	1							
6	2	22512-070140	KEY, 7X 14	1							
7	1	129916-21610	BOLT, V-PULLEY	1							
8	1	129948-21610	V-PULLEY, CRANKSHAFT	1							
9	1	129960-21930	GASKET, WASHER	1							
9-1	1	129960-21950	PACKING, WASHER	1							N
(A=2019.12)											
10	1	129960-21940	WASHER, V-PULLEY	1							
11	1	121850-21130	BOLT, FLYWHEEL	6							
12	1	129953-21570	FLYWHEEL ASSY	1							
14	2	129900-21600	GEAR, RING	1							
15	1	129906-22090	PISTON ASSY	4							
17	2	129906-22050	RING SET, PISTON	4							
23	1	120130-22301	PIN, PISTON	4							
24	1	22252-000300	RING, 30	8							
25	1	129900-23001	ROD ASSY, CONNECTING	4							
28	2	129900-23200	BOLT, CONNECTING ROD	8							
29	2	129927-23600	BEARING ASSY, PIN	4							
31	1	129900-23911	METAL, PISTON PIN	4							1
32	1	129927-23610	BEARING ASSY, PIN US	4							2
34	1	129906-22910	PISTON ASSY, 0.25 OS	4							3
36	2	129916-22950	RING SET, PISTON .25	4							3

Fig.9. LUB. OIL SYSTEM



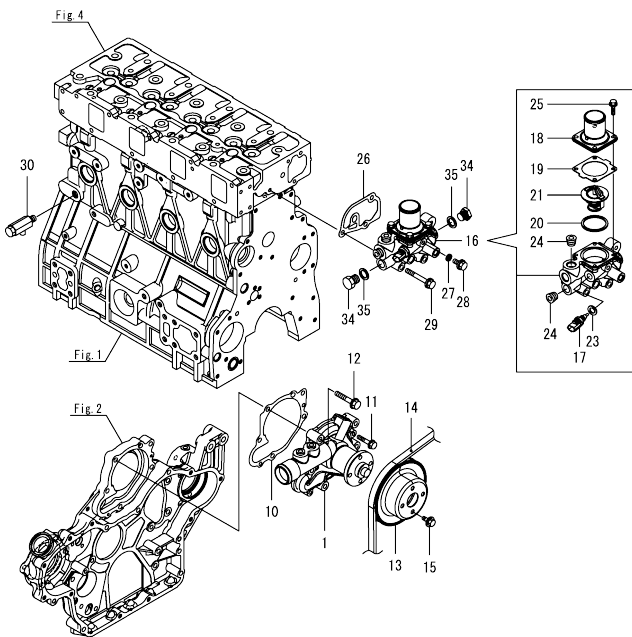
(A)=4TNV94L-ZWWN
(B)=
(C)=

(D)=
(E)=
(F)=

No.	Lev.	Parts No.	Description	Q'ty						I	R
				(A)	(B)	(C)	(D)	(E)	(F)		
1	1	121520-34810	GUIDE, DIPSTICK	1							
2	1	129953-34830	DIPSTICK, OIL	1							
3	1	119000-35140	BOLT, FILTER	1							
5	1	129900-32030	O-RING, P20	1							
6	1	129953-35000	PIPE ASSY, OIL INLET	1							
11	1	26106-080122	BOLT, M8X 12 PLATED	2							
12	1	121252-39450	SWITCH, HYDRAULIC	1							
13	1	129927-39060	PIPE ASSY, OIL	1							
15	2	123907-39500	RETAINER, PIPE	1							
17	1	129005-59830	BOLT ASSY, JOINT M8	2							
18	2	22190-080002	WASHER, SEAL 8	2							
19	2	23857-030000	BOLT, JOINT 3	2							
20	1	22190-080002	WASHER, SEAL 8	2							
21	1	26106-080122	BOLT, M8X 12 PLATED	1							
22	1	22190-080002	WASHER, SEAL 8	2							
23	1	26106-080122	BOLT, M8X 12 PLATED	2							
24	1	119005-35151	FILTER, OIL D80X100	1							1

Remarks
(1)Spare parts.

Fig.10. COOLING WATER SYSTEM

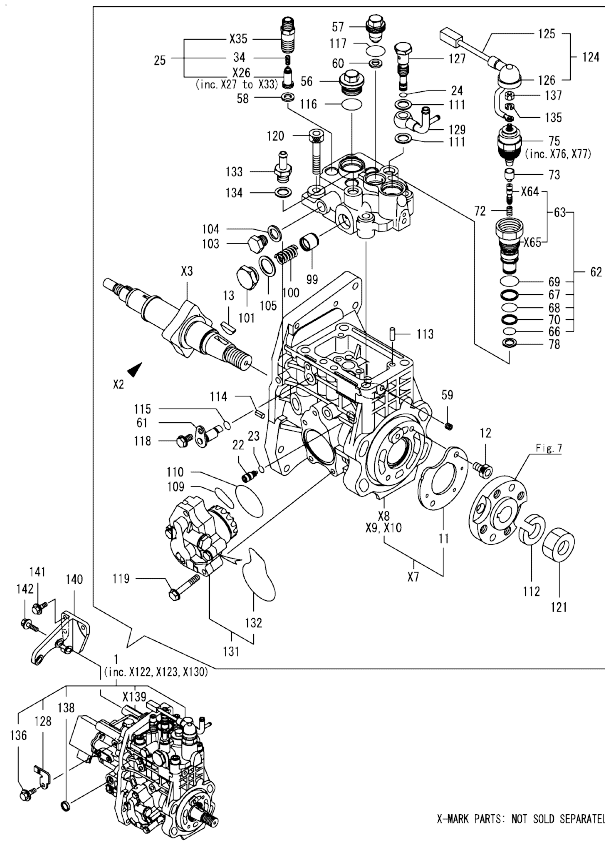


(A)=4TNV94L-ZWWN
(B)=
(C)=

(D)=
(E)=
(F)=

No.	Lev.	Parts No.	Description	Q'ty						I	R
				(A)	(B)	(C)	(D)	(E)	(F)		
1	1	129900-42003	PUMP ASSY, WATER	1							
1-1	1	129900-42004 (A=EL9899)	PUMP ASSY, CW	1							N
10	1	129900-42020	GASKET, WATER PUMP	1							
11	1	26106-060302	BOLT, M6X 30 PLATED	2							
12	1	26106-080552	BOLT, M8X 55 PLATED	5							
13	1	129916-42410	V-PULLEY, PUMP	1							
14	1	129C20-42290	V-BELT, B42.5	1							
15	1	26106-080122	BOLT, M8X 12 PLATED	4							
16	1	129932-49800	CASE ASSY,THERMOSTAT	1							
17	2	129927-44900	SENSOR, TEMPERATURE	1							
18	2	129916-49530	COVER, THERMOSTAT	1							
19	2	121850-49540	GASKET, THERMOSTAT	1							
20	2	121850-49550	GASKET, THERMOSTAT	1							
21	2	121850-49801	THERMOSTAT, 82C	1							
23	2	22190-120002	WASHER, SEAL 12	1							
24	2	23875-030000	PLUG, R03	2							
25	2	26106-060202	BOLT, M6X 20 PLATED	4							
26	1	129900-49870	GASKET, THERMOSTAT	1							
27	1	23414-080000	GASKET, 8X1.0	1							
28	1	26106-080122	BOLT, M8X 12 PLATED	1							
29	1	26106-080602	BOLT, M8X 60 PLATED	3							
30	1	119620-49290	COCK ASSY, 1/4	1							
34	1	121450-42450	PLUG, M16	2							
35	1	124465-44950	GASKET, 16	2							

Fig.11. FUEL INJECTION PUMP



X-MARK PARTS: NOT SOLD SEPARATELY

Remarks

- (1)Governor(Fig.12) is incorporated in this Fuel Injection Pump(No.1).
- (1)Eco Pump
- Make sure to update the engines ECU information when replacing the Eco pump.
- Failing to do so will result in engine malfunction.

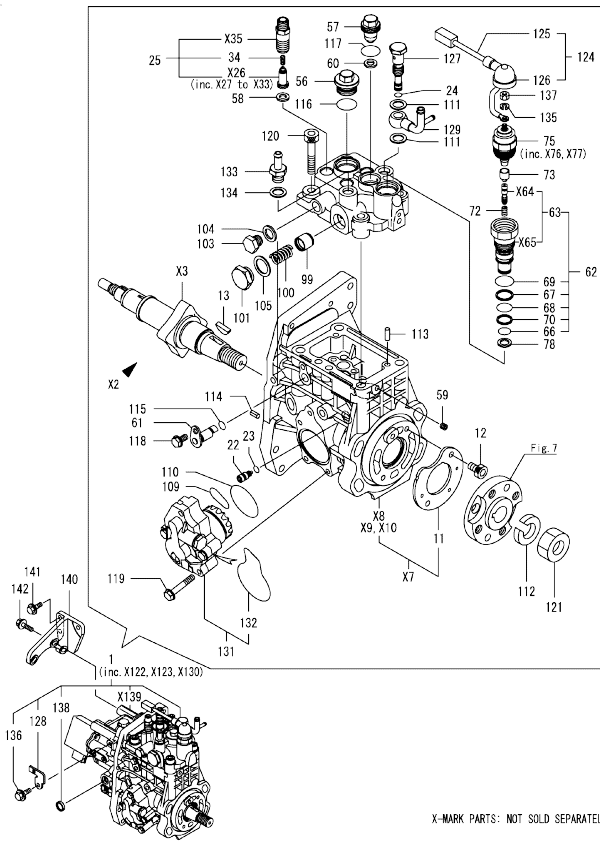
(A)=4TNV94L-ZWWN
(B)=
(C)=

(D)=
(E)=
(F)=

No.	Lev.	Parts No.	Description	Q'ty						I	R
				(A)	(B)	(C)	(D)	(E)	(F)		
1	1	729929-51350	PUMP ASSY, INJECTION	1							1
11	2	129928-51900	COVER, OIL	1							
12	2	129008-51920	BOLT, M6X10	2							
13	2	144626-51090	KEY, FEATHER 5X19	1							
22	2	158600-51270	STOPPER, TAPPET	1							
23	2	158563-51281	O-RING, 4D S6	1							
24	2	158563-51281	O-RING, 4D S6	1							
25	2	129509-51390	VALVE ASSY, DELIVERY	4							
34	3	158563-51330	SPRING, DELIVERY	4							
56	2	158601-51550	PLUG, M22	1							
57	2	129907-51560	PLUG, M16	1							
58	2	158552-51571	GASKET, BARREL PLUG	4							
59	2	158557-51570	PLUG, RACK	1							
60	2	129906-51580	GASKET, BARREL PLUG	1							
61	2	158552-51580	LIFTER, LINK	1							
62	2	129657-51590	TIMER ASSY	1							
63	3	129657-51600	TIMER ASSY	1							
66	3	158553-51670	O-RING, PUMP TIMER	1							
67	3	119802-51680	RING, BACKUP	1							
68	3	119802-51690	O-RING, 1016	1							
69	3	24356-190200	O-RING, 4D19020	1							
70	3	24372-000150	RING, BACK UP T2P15	1							
72	2	119852-51630	SPRING, TIMER	1							
73	2	119852-51640	CAP, TIMER	1							
75	2	119852-51650	VALVE ASSY, SOLENOID	1							
78	2	158553-51680	GASKET, TIMER	1							
99	2	158601-51770	PISTON, ACCUMULATOR	1							
100	2	158552-51781	SPRING, ACCUMULATOR	1							
101	2	158601-51790	PLUG, ACCUMULATOR	1							
103	2	158553-51930	PLUG, M12	1							
104	2	22190-120002	WASHER, SEAL 12	1							
105	2	22190-180002	WASHER, SEAL 18	1							
109	2	158552-52311	O-RING, FEED PUMP	1							
110	2	158552-52400	O-RING, 4E S42	1							
111	2	22190-120002	WASHER, SEAL 12	2							
112	2	22217-180000	WASHER, SPRING 18	1							
113	2	22312-050140	PIN, PARALLEL 5X14	2							
114	2	22351-050010	PIN, SPRING 5.0X10	2							
115	2	24311-000070	O-RING, 1AP7.0	1							
116	2	24356-190200	O-RING, 4D19020	1							
117	2	24356-240210	O-RING, 4D24021	1							
118	2	26106-060102	BOLT, M6X 10 PLATED	1							
119	2	26106-060352	BOLT, M6X 35 PLATED	4							
120	2	26450-100452	BOLT, M10X 45	4							
121	2	26776-180002	NUT, LOCK M18	1							
124	2	129927-51650	HARNES ASSY, WIRE	1							
125	3	129927-51660	HARNES	1							
126	3	129263-77941	CAP, RUBBER	1							
127	2	158601-51650	JOINT, OVERFLOW	1							
128	2	129927-51670	BRACKET	1							
129	2	158552-51670	JOINT, OVERFLOW	1							

N:Old $\frac{New}{Old}$ New, Q:Old $\frac{New}{Old}$ New, R:Old $\frac{New}{Old}$ New, S:Old $\frac{New}{Old}$ New, W:Add, Z:Discontinued, F:Interchangeable by set, K:Q'ty Change
 ++ CONTINUE ++
 Copyright (C) 2018 YANMAR GLOBAL CS CO., LTD. All Rights Reserved.

Fig.11. FUEL INJECTION PUMP



(A)=4TNV94L-ZWWN
(B)=
(C)=

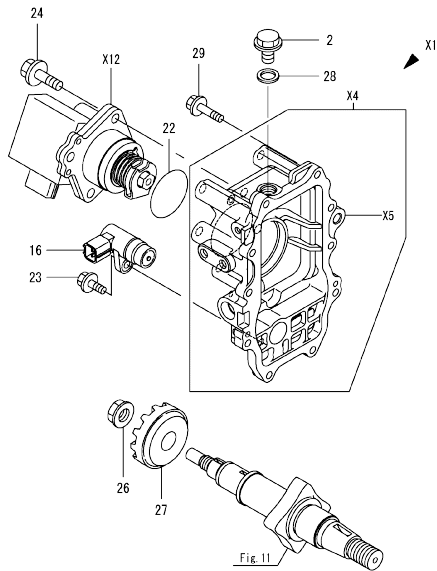
(D)=
(E)=
(F)=
Q'ty I R

No.	Lev.	Parts No.	Description	(A)	(B)	(C)	(D)	(E)	(F)	I	R
131	2	158552-52100	PUMP ASSY, FUEL FEED	1							
132	3	158552-52500	O-RING, PUMP INNER	1							
133	2	119934-69910	JOINT, PIPE	1							
134	2	22190-120002	WASHER, SEAL 12	1							
135	2	22217-050000	WASHER, SPRING 5	1							
136	2	26106-060122	BOLT, M6X 12 PLATED	1							
137	2	26716-050002	NUT, M5	1							
138	2	27241-160000	PLUG, 16	1							
140	1	129927-51250	RETAINER, FUEL PUMP	1							
141	1	26106-080202	BOLT, M8X 20 PLATED	3							
142	1	26106-080302	BOLT, M8X 30 PLATED	3							

Remarks
 (1)Governor(Fig.12) is incorporated in this Fuel Injection Pump(No.1).
 (1)Eco Pump
 Make sure to update the engines ECU information when replacing the Eco pump.
 Failing to do so will result in engine malfunction.

OCD50-M04040 ENGINE
 Fig.12. GOVERNOR

OCD50-M04040 Fig.12



(A)=4TNV94L-ZWWN
 (B)=
 (C)=

(D)=
 (E)=
 (F)=

No.	Lev.	Parts No.	Description	Q'ty						I	R
				(A)	(B)	(C)	(D)	(E)	(F)		
2	2	158553-51930	PLUG, M12	1							
16	2	158557-61720	SENSOR, ROTATION	1							
22	2	24341-000480	O-RING, 1AS48.0	1							
23	2	26106-060162	BOLT, M6X 16 PLATED	1							
24	2	26106-080252	BOLT, M8X 25 PLATED	3							
26	2	129008-61301	NUT, SUPPORT	1							
27	2	158553-61780	GEAR, SENSOR	1							
28	2	22190-120002	WASHER, SEAL 12	1							
29	2	26106-060252	BOLT, M6X 25 PLATED	10							

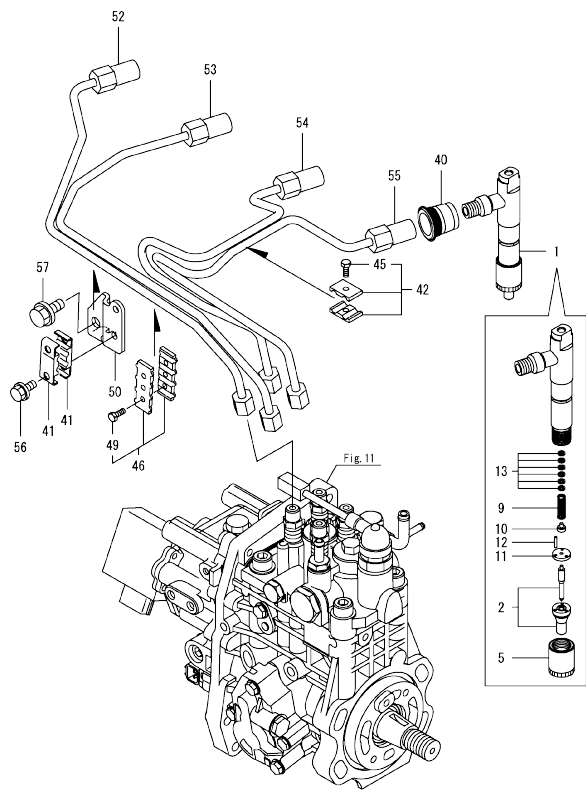
X-MARK PARTS: NOT SOLD SEPARATELY

Remarks

* This figure(Governor) is incorporated in the Fuel Injection Pump(Fig.11).

N:Old $\frac{100}{100}$ New, Q:Old $\frac{100}{100}$ New, R:Old $\frac{100}{100}$ New, S:Old $\frac{100}{100}$ New, W:Add, Z:Discontinued, F:Interchangeable by set, K:Q'ty Change
 Copyright (C) 2018 YANMAR GLOBAL CS CO., LTD. All Rights Reserved.

Fig.13. FUEL INJECTION VALVE



(A)=4TNV94L-ZWWN
(B)=
(C)=

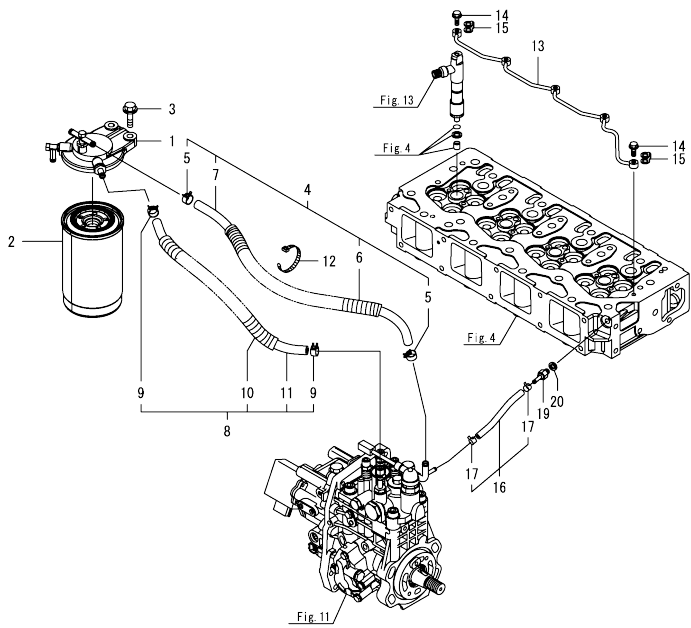
(D)=
(E)=
(F)=

No.	Lev.	Parts No.	Description	Q'ty						I	R
				(A)	(B)	(C)	(D)	(E)	(F)		
1	1	729906-53100	VALVE ASSY,INJECTION	4							
2	2	129906-53000	VALVE ASSY,INJECTION	4							
5	2	114250-53080	NUT, NOZZLE	4							
9	2	114250-53120	SPRING, NOZZLE	4							
10	2	114250-53130	SEAT, SPRING	4							
11	2	114250-53140	SPACER, VALVE STOP	4							
12	2	114250-53210	PIN, POSITIONING	8							
13	2	119803-53400	SHIM SET	4							1
40	1	123907-11601	SEAL, PIPE	4							
41	1	122780-59100	RETAINER, PIPE	2							
42	1	119305-59120	RETAINER, PIPE	1							
45	2	129150-59131	BOLT, M4X14	1							
46	1	129550-59120	RETAINER, PIPE	1							
49	2	129150-59131	BOLT, M4X14	2							
50	1	129907-59710	SUPPORT, PIPE CLAMP	1							
52	1	129907-59810	PIPE ASSY, INJECTION	1							
53	1	129907-59820	PIPE ASSY, INJECTION	1							
54	1	129907-59830	PIPE ASSY, INJECTION	1							
55	1	129907-59840	PIPE ASSY, INJECTION	1							
56	1	26106-060162	BOLT, M6X 16 PLATED	2							
57	1	26106-080182	BOLT, M8X 18 PLATED	1							

Remarks

(1)Spare parts.

Fig.14. FUEL PIPE

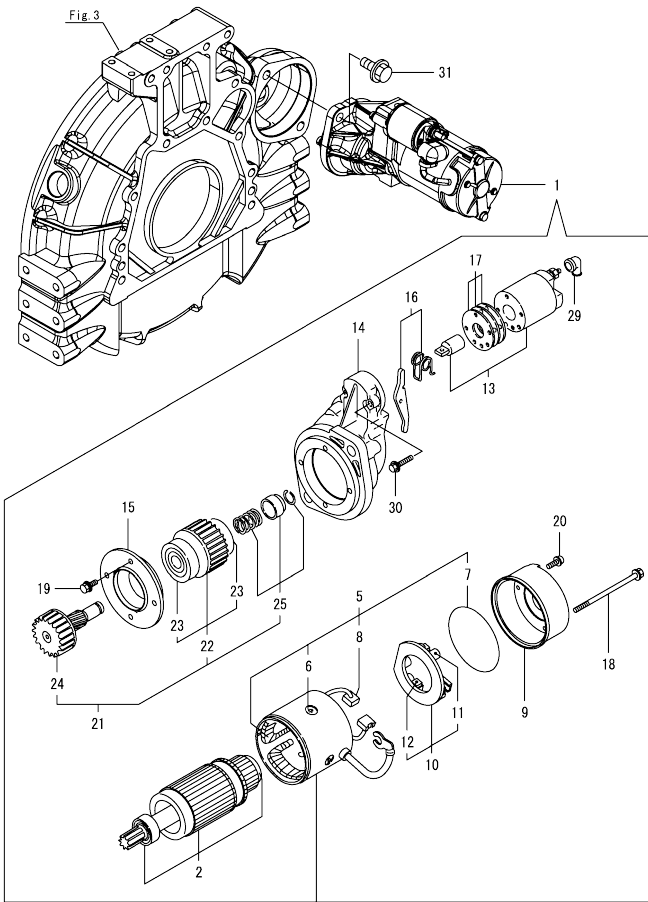


(A)=4TNV94L-ZWWN
(B)=
(C)=

(D)=
(E)=
(F)=

No.	Lev.	Parts No.	Description	Q'ty						I	R
				(A)	(B)	(C)	(D)	(E)	(F)		
1	1	129004-55612	BRACKET, FILTER	1							
2	1	129907-55801	FILTER, FUEL	1							
3	1	26106-080302	BOLT, M8X 30 PLATED	2							
4	1	129457-59010	HOSE ASSY, FUEL	1							
5	2	124766-59050	CLAMP, HOSE 11.5	2							
6	2	129957-59120	TUBE, CORRUGATED 15	1							
7	2	105025-59750	HOSE, FUEL	1							
8	1	129981-59010	HOSE ASSY, FUEL	1							
9	2	124766-59050	CLAMP, HOSE 11.5	2							
10	2	129950-59221	TUBE, CORRUGATED 15	1							
11	2	129980-59510	HOSE, FUEL	1							
12	1	121750-59890	BAND, NYLON	1							
13	1	129907-59140	PIPE ASSY, RETURN	1							
14	1	123907-59540	BOLT, PIPE JOINT M6	5							
15	1	123907-59550	GASKET, FUEL RETURN	5							
16	1	129486-59551	HOSE ASSY, RETURN	1							
17	2	124722-59050	CLAMP, HOSE 9	2							
19	1	123907-59560	JOINT, HOSE	1							
20	1	22190-080002	WASHER, SEAL 8	1							

Fig.15. STARTER MOTOR

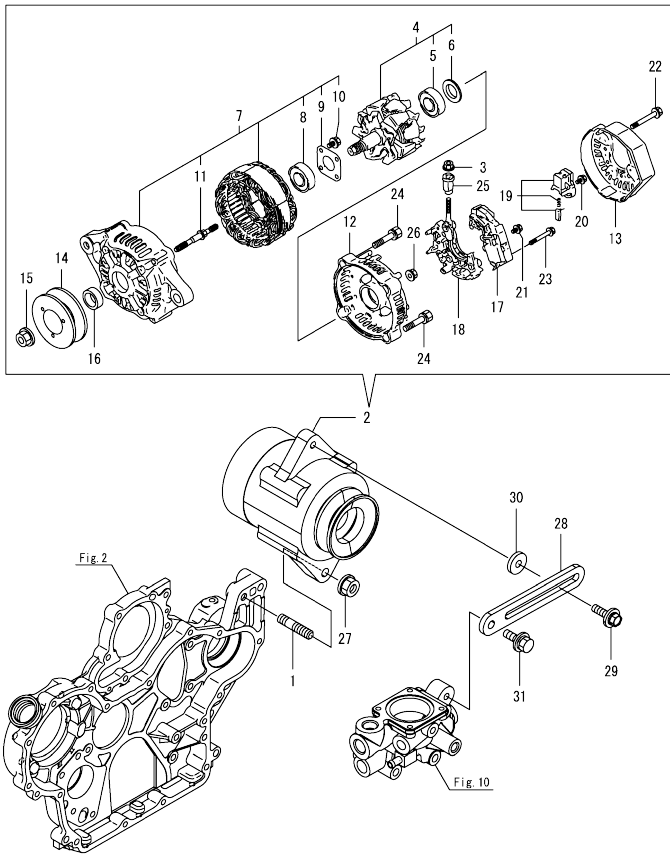


(A)=4TNV94L-ZWWN
(B)=
(C)=

(D)=
(E)=
(F)=

No.	Lev.	Parts No.	Description	Q'ty						I	R
				(A)	(B)	(C)	(D)	(E)	(F)		
1	1	129940-77011	STARTER, 12V.3KW	1							
2	2	129940-77100	ARMATURE ASSY	1							
5	2	129940-77130	COIL ASSY, FIELD	1							
6	3	129940-77140	SCREW, CORE SET	4							
7	3	129940-77150	O-RING	1							
8	3	129940-77160	BRUSH, +	2							
9	2	129940-77171	COVER, REAR	1							
10	2	129940-77181	HOLDER ASSY, BRUSH	1							
11	3	129940-77190	SPRING, BRUSH	1							
12	3	129940-77200	BRUSH, -	2							
13	2	129940-77210	SWITCH ASSY, MAGNET	1							
14	2	129940-77221	CASE, GEAR	1							
15	2	129940-77230	RETAINER, BEARING	1							
16	2	129940-77240	LEVER SET, SHIFT	1							
17	2	129940-77250	COVER KIT, DUST	1							
18	2	129940-77260	BOLT, THROUGH	2							
19	2	129940-77270	BOLT, M6X20	4							
20	2	129940-77280	SCREW, M4	2							
21	2	123900-77510	CLUTCH ASSY, PINION	1							
22	3	123900-77520	CLUTCH ASSY	1							
23	4	X2240610100	BEARING, BALL	2							
24	3	123900-77540	SHAFT, PINION	1							
25	3	119131-77550	STOPPER SET, PINION	1							
29	2	121254-77810	COVER, TERMINAL M	1							
30	2	114371-79070	BOLT, M6	2							
31	1	26106-120252	BOLT, M12X 25 PLATED	2							

Fig.16. GENERATOR

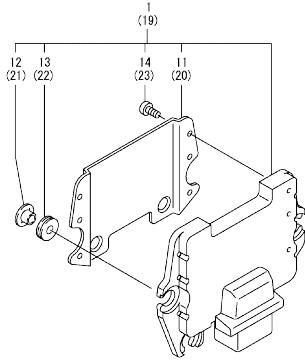


(A)=4TNV94L-ZWWN
(B)=
(C)=

(D)=
(E)=
(F)=

No.	Lev.	Parts No.	Description	Q'ty						I	R
				(A)	(B)	(C)	(D)	(E)	(F)		
1	1	129795-01900	BOLT, M10X33	1							
2	1	123951-77210	ALTERNATOR, 12V-55A	1							
3	2	X9490561001	NUT	1							
3-1	2	129240-79310	NUT	1							N
		(A=2020.02)									
4	2	129052-77380	ROTOR ASSY	1							
5	3	123501-79240	BEARING, BALL	1							
6	3	119620-79250	COVER, BEARING	1							
7	2	129052-77422	FRAME ASSY	1							
7-1	2	129052-79421	FRAME ASSY	1							N
		(A=2020.02)									
8	3	119620-79200	BEARING, BALL	1							
9	3	119620-79210	PLATE, RETAINER	1							
10	3	119620-79220	SCREW	4							
11	3	119620-79230	STUD	2							
12	2	128401-77440	COVER, END	1							
13	2	119626-77450	COVER, END	1							
14	2	123950-77450	V-PULLEY	1							
15	2	119620-77470	NUT	1							
16	2	119620-77490	COLLAR	1							
17	2	129423-77720	REGULATOR ASSY	1							
17-1	2	129423-77730	REGULATOR ASSY	1							N
		(A=2020.02)									
18	2	129052-79260	HOLDER ASSY	1							
19	2	129052-79270	HOLDER ASSY, BRUSH	1							
20	2	119620-79290	SCREW	6							
21	2	119620-79300	SCREW	1							
22	2	119620-79310	BOLT	3							
23	2	119620-79320	SCREW, W/WASHER	2							
24	2	119620-79330	BOLT	2							
25	2	119620-79340	BUSH, INSULATION	1							
26	2	119620-79350	NUT	2							
27	1	26306-100002	NUT, M10	1							
28	1	129900-77330	ADJUSTER, BELT	1							
29	1	119810-77340	BOLT, ADJUSTER L=30	1							
30	1	121236-77340	SPACER, ADJUSTER	1							
31	1	26014-080252	BOLT, M8X 25	1							

Fig.17. ELECTRONIC CONTROL UNIT(ECU)



(A)=4TNV94L-ZWWN
(B)=
(C)=

(D)=
(E)=
(F)=

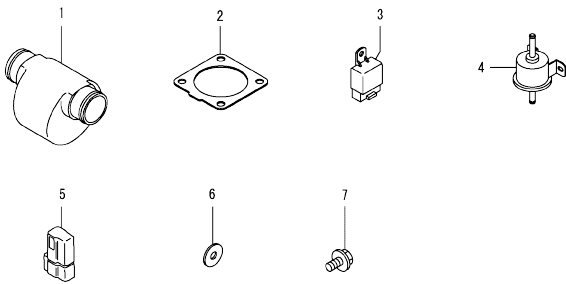
No.	Lev.	Parts No.	Description	Q'ty						I	R
				(A)	(B)	(C)	(D)	(E)	(F)		
1	1	129929-75110	ECU ASSY,494L-ZWWN	1							1
11	2	129927-77600	SHIELD, ECU	1							
12	2	129927-77680	COLLAR, CONTROLLER	3							
13	2	119578-91351	RUBBER, CONTROLLER	3							
14	2	22877-500080	SCREW, 5X 8	6							
19	1	129927-75901	ECU ASSY, SERVICE	1							2
20	2	129927-77600	SHIELD, ECU	1							
21	2	129927-77680	COLLAR, CONTROLLER	3							
22	2	119578-91351	RUBBER, CONTROLLER	3							
23	2	22877-500080	SCREW, 5X 8	6							

Remarks
 (1)Eco ECU
 This part cannot be ordered.
 Replace the part using a Service ECU with the proper engine information installed.
 (2)Service ECU
 If the proper information is not installed, the engine will not operate.
 To install proper information, go to an authorized distributor.

Fig.18. ACCESSORY

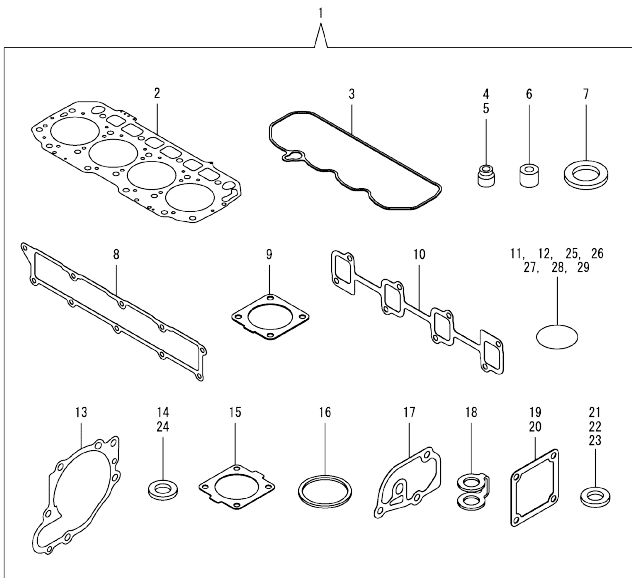
(A)=4TNV94L-ZWWN
(B)=
(C)=

(D)=
(E)=
(F)=



No.	Lev.	Parts No.	Description	Q'ty					
				(A)	(B)	(C)	(D)	(E)	(F)
1	1	119005-12060	SILENCER, INTAKE	1					
2	1	129930-13201	GASKET, SILENCER	1					
3	1	172B02-17150	RELAY, CA TYPE C	2					
4	1	129612-52100	PUMP, FUEL FEED	1					
5	1	119643-66900	DIODE	1					
6	1	129927-77690	WASHER, ECU	3					
7	1	26106-080252	BOLT, M8X 25 PLATED	3					

Fig.19. GASKET SET



(A)=4TNV94L-ZWWN
(B)=
(C)=

(D)=
(E)=
(F)=

No.	Lev.	Parts No.	Description	Q'ty						I	R
				(A)	(B)	(C)	(D)	(E)	(F)		
1	1	129932-92760	GASKET SET	1							1
2	2	129906-01350	GASKET, HEAD	1							
3	2	129933-11310	GASKET, BONNET	1							
4	2	119803-11340	SEAL, VALVE STEM	8							
5	2	124160-11340	SEAL, VALVE STEM	8							
6	2	119802-11870	PROTECTOR, NOZZLE	4							
7	2	119625-11880	SEAT, NOZZLE	4							
8	2	129907-12110	GASKET, MANIFOLD	1							
9	2	129930-13201	GASKET, SILENCER	1							
10	2	129900-13251	GASKET, MANIFOLD	1							
11	2	129900-32030	O-RING, P20	2							
12	2	129900-32040	O-RING, P14	1							
13	2	129900-42020	GASKET, WATER PUMP	1							
14	2	124465-44950	GASKET, 16	2							
15	2	121850-49540	GASKET, THERMOSTAT	1							
16	2	121850-49550	GASKET, THERMOSTAT	1							
17	2	129900-49870	GASKET, THERMOSTAT	1							
18	2	123907-59550	GASKET, FUEL RETURN	5							
19	2	119129-77020	GASKET, AIR HEATER	2							
20	2	121850-77021	GASKET, AIR HEATER	1							
21	2	22190-080002	WASHER, SEAL 8	7							
22	2	22190-120002	WASHER, SEAL 12	1							
23	2	22190-220002	WASHER, SEAL 22	1							
24	2	23414-080000	GASKET, 8X1.0	1							
25	2	24311-000070	O-RING, 1AP7.0	1							
26	2	24311-000120	O-RING, 1AP12.0	8							
27	2	24311-000320	O-RING, 1AP32.0	3							
28	2	24341-000530	O-RING, 1AS53.0	1							
29	2	24351-030750	O-RING, 1A3075	1							

Remarks

(1)Optional parts.

Parts No. Index

Parts No.	Fig. No.	Ref. No.	Parts No.	Fig. No.	Ref. No.	Parts No.	Fig. No.	Ref. No.	Parts No.	Fig. No.	Ref. No.
105025-59750	14	7	119852-51650	11	75	124722-59050	14	17	129900-23911	8	31
114250-53080	13	5	119934-59910	11	133	124766-59050	14	5	129900-32001	2	4
114250-53120	13	9	120130-22301	8	23			9	129900-32030	2	16
114250-53130	13	10	121027-11743	2	39	128401-77440	16	12		9	5
114250-53140	13	11	121236-77340	16	30	129004-55612	14	1		19	11
114250-53210	13	12	121252-39450	9	12	129005-59830	9	17	129900-32040	2	17
114371-79070	15	30	121254-77810	15	29	129008-51920	11	12		19	12
119000-35140	9	3	121450-42450	10	34	129008-61301	12	26	129900-42003	10	1
119005-12060	18	1	121520-34810	9	1	129052-77380	16	4	129900-42004	10	1 -1
119005-35151	9	24	121750-59890	14	12	129052-77422	16	7	129900-42020	10	10
119129-77020	19	19	121850-21130	8	11	129052-79260	16	18		19	13
119131-18320	6	5	121850-21290	8	4	129052-79270	16	19	129900-49870	10	26
119131-77550	15	25	121850-21920	8	5	129052-79421	16	7 -1		19	17
119305-59120	13	42	121850-49540	10	19	129100-01580	2	1	129900-77330	16	28
119578-91351	17	13		19	15		3	1	129902-21000	8	1
		22	121850-49550	10	20	129150-02450	7	4	129906-01350	19	2
119593-11301	4	27		19	16	129150-11230	4	35	129906-22050	8	17
119620-01750	3	4	121850-49801	10	21			39	129906-22090	8	15
119620-11180	4	12	121850-77021	5	5	129150-11750	4	17	129906-22910	8	34
119620-49290	10	30		19	20			36	129906-51580	11	60
119620-77470	16	15	122780-59100	13	41			40	129906-53000	13	2
119620-77490	16	16	123501-79240	16	5	129150-14200	7	1	129907-01331	1	28
119620-79200	16	8	123900-13610	6	3	129150-59131	13	45	129907-03011	4	49
119620-79210	16	9	123900-25060	7	9			49	129907-03061	4	50
119620-79220	16	10	123900-77510	15	21	129240-79310	16	3 -1	129907-03070	4	51
119620-79230	16	11	123900-77520	15	22	129263-77941	11	126	129907-07900	4	64
119620-79250	16	6	123900-77540	15	24	129423-77720	16	17	129907-11100	4	9
119620-79290	16	20	123907-03100	4	52	129423-77730	16	17 -1	129907-11110	4	10
119620-79300	16	21	123907-03110	4	53	129457-59010	14	4	129907-11120	4	11
119620-79310	16	22	123907-03120	4	54	129486-59551	14	16	129907-11250	4	29
119620-79320	16	23	123907-03140	4	55	129509-51390	11	25	129907-11260	4	30
119620-79330	16	24	123907-11280	4	32	129550-59120	13	46	129907-11270	4	31
119620-79340	16	25	123907-11550	4	1	129612-52100	18	4	129907-11321	4	48
119620-79350	16	26	123907-11601	13	40	129657-51590	11	62	129907-11341	4	28
119625-11880	4	23	123907-11820	4	19	129657-51600	11	63	129907-11510	4	15
	19	7	123907-11830	4	18	129795-01900	16	1	129907-11650	4	33
119626-77450	16	13	123907-39500	9	15	129900-01200	1	27	129907-11660	4	37
119640-01640	3	9	123907-59540	14	14	129900-01250	1	4	129907-11700	4	2
119640-61400	4	58	123907-59550	14	15	129900-01620	3	2	129907-11800	4	66
119643-66900	18	5		19	18	129900-01850	2	34	129907-11920	4	41
119802-11870	4	22	123907-59560	14	19	129900-01870	2	35	129907-11950	4	25
	19	6	123950-77450	16	14	129900-02020	1	6	129907-11960	4	24
119802-51680	11	67	123951-77210	16	2	129900-02410	1	9	129907-12100	5	1
119802-51690	11	68	124160-01751	2	25	129900-13251	6	2	129907-12110	5	2
119803-11340	4	13		4	47		19	10		19	8
	19	4	124160-11340	4	14	129900-14100	7	6	129907-13201	6	1
119803-53400	13	13		19	5	129900-21200	8	3	129907-13550	6	8
119810-77340	16	29	124160-11360	4	61	129900-21600	8	14	129907-14400	7	2
119852-51630	11	72	124465-44950	10	35	129900-23001	8	25	129907-25900	7	15
119852-51640	11	73		19	14	129900-23200	8	28	129907-51560	11	57

Parts No. Index

Parts No.	Fig. No.	Ref. No.
129907-55801	14	2
129907-59140	14	13
129907-59710	13	50
129907-59810	13	52
129907-59820	13	53
129907-59830	13	54
129907-59840	13	55
129915-77051	5	6
129916-01710	3	8
129916-01790	3	7
129916-01800	2	33
129916-21610	8	7
129916-22950	8	36
129916-42410	10	13
129916-49530	10	18
129927-02340	1	32
129927-02930	1	24
129927-02940	1	35
129927-23600	8	29
129927-23610	8	32
129927-25100	7	10
129927-25920	7	16
129927-39060	9	13
129927-42140	2	18
129927-44900	10	17
129927-51250	11	140
129927-51650	11	124
129927-51660	11	125
129927-51670	11	128
129927-75901	17	19
129927-77600	17	11
	20	
129927-77680	17	12
	21	
129927-77690	18	6
129928-51900	11	11
129929-75110	17	1
129930-13201	6	7
	18	2
	19	9
129932-14580	7	3
129932-49800	10	16
129932-92760	19	1
129933-11310	4	57
	19	3
129938-01500	2	3
129940-77011	15	1
129940-77100	15	2
129940-77130	15	5
129940-77140	15	6

Parts No.	Fig. No.	Ref. No.
129940-77150	15	7
129940-77160	15	8
129940-77171	15	9
129940-77181	15	10
129940-77190	15	11
129940-77200	15	12
129940-77210	15	13
129940-77221	15	14
129940-77230	15	15
129940-77240	15	16
129940-77250	15	17
129940-77260	15	18
129940-77270	15	19
129940-77280	15	20
129948-21610	8	8
129950-59221	14	10
129951-01740	2	27
129953-21570	8	12
129953-25300	7	14
129953-34830	9	2
129953-35000	9	6
129957-59120	14	6
129960-21930	8	9
129960-21940	8	10
129960-21950	8	9 -1
129980-59510	14	11
129981-59010	14	8
129C20-42290	10	14
129E00-13640	6	4
144626-51090	11	13
158552-51571	11	58
158552-51580	11	61
158552-51670	11	129
158552-51781	11	100
158552-52100	11	131
158552-52311	11	109
158552-52400	11	110
158552-52500	11	132
158553-51670	11	66
158553-51680	11	78
158553-51930	11	103
	12	2
158553-61780	12	27
158557-51570	11	59
158557-61720	12	16
158563-51150	7	17
158563-51281	11	23
	24	
	24	
158563-51330	11	34
158600-51270	11	22

Parts No.	Fig. No.	Ref. No.
158601-51550	11	56
158601-51650	11	127
158601-51770	11	99
158601-51790	11	101
171051-01921	1	5
172B02-17150	18	3
22190-080002	9	18
		20
		22
	14	20
	19	21
22190-120002	10	23
	11	104
		111
		134
	12	28
	19	22
22190-180002	11	105
22190-220002	3	11
	19	23
	11	135
22217-050000	11	112
22217-180000	11	112
22252-000300	8	24
22312-050140	11	113
22351-050010	11	114
22351-060012	1	10
22512-070140	7	7
	8	6
22857-500100	4	59
	60	
22877-500080	17	14
	23	
23414-080000	10	27
	19	24
	9	19
23857-030000	10	24
23875-030000	10	24
23876-020000	4	6
23876-030000	1	11
	12	
	13	
	4	7
24311-000070	2	19
	11	115
	19	25
24311-000120	4	26
	62	
	19	26
24311-000320	2	26
	40	
	4	63

Parts No.	Fig. No.	Ref. No.
24311-000320	19	27
24341-000480	12	22
24341-000530	19	28
24351-030750	2	20
	19	29
24356-190200	11	69
		116
24356-240210	11	117
24372-000150	11	70
26014-080252	16	31
26106-060102	11	118
26106-060122	11	136
26106-060162	12	23
	13	56
26106-060202	10	25
26106-060252	12	29
26106-060302	10	11
26106-060352	11	119
26106-080122	3	12
	9	11
		21
		23
	10	15
		28
26106-080142	7	8
26106-080162	2	21
		36
	4	65
26106-080182	13	57
26106-080202	2	22
		28
	11	141
26106-080252	6	9
	12	24
	18	7
26106-080302	11	142
	14	3
26106-080352	5	7
26106-080402	2	37
	4	43
26106-080452	2	23
		29
26106-080552	5	3
	7	13
	10	12
26106-080602	4	44
		45
	10	29
26106-080702	2	38
26106-080752	2	30

Parts No. Index

Parts No.	Fig. No.	Ref. No.
26106-080852	5	4
26106-120252	15	31
26206-100352	3	5
26206-100702	3	6
26216-100302	2	15
26226-080222	4	42
26306-080002	4	46
	6	6
		10
26306-100002	2	24
	16	27
26450-100452	11	120
26716-050002	11	137
26776-180002	11	121
27241-160000	11	138
27241-300000	1	14
27241-400000	4	8
27310-070001	4	20
729906-01561	1	1
729906-53100	13	1
729907-01559	2	31
729927-02800	1	29
729929-51350	11	1
X2240610100	15	23
X9490561001	16	3

Parts No.	Fig. No.	Ref. No.
-----------	----------	----------

Parts No.	Fig. No.	Ref. No.
-----------	----------	----------

Parts No.	Fig. No.	Ref. No.
-----------	----------	----------