

0CW10-M75800EN

# P R E F A C E

1. This parts catalog is the 1st edition of 4TNV94L-ZXSDB for DOOSAN INFRACORE.

Pub.No. : 0CW10-G75800  
Published : September, 2012

2. Model name

Engine model	Vehicle	Vehicle made by
4TNV94L-ZXSDB	EXCAVATOR	DOOSAN INFRACORE

## Directions for the Parts Catalog.

1. This Parts Catalog shows both standard and optional parts.
2. Parts may change without prior notice.
3. The following is an example of the Parts Catalog format.

REF.	LEV.	PARTS NO.	DESCRIPTION	Q'TY						I	R
				(A)	(B)	(C)	(D)	(E)	(F)		
1	1	729595-51390	FUEL INJECTION PUMP	1	1	1	1	1			1
1-1	1	729595-51391	FUEL INJECTION PUMP	1	1	1	1	1		N	1
		(A=E00185) (B=E00200)									
3	2	26022-060162	SCREW M 6X 16	9	9	9	9	9			
3-1	2	26022-060162	SCREW M 6X 16	4	4	4	4	4		K	
		(A=E00156) (B=E00156) (C=E00156) (D=E00156) (E=E00156)									
4	2	129470-51040	CAMSHAFT	1	1	1	1	1			
5	2	122710-51050	BEARING, ROLLER	2	2	2	2	2			
6	2	129470-51060	RETAINER	1	1	1	1	1			

Remarks
(1) BOOST COMPEMSATOR TYPE. OPTIONAL PART, TO E00155,(4JH-DT, 4JH-DTZ

### ① Ref. No.

The Ref. No. listed may not be in accordance with the illustration Ref. No.

(Ex.) Illustration No.

List Ref No.

1 1 (Before change) → 1-1 (After change)

For interchangeable symbols N, R and K, illustrations for new parts may be abbreviated.

### ② Lev. (Level)

Level indication

The numbers below indicate the level of relativity towards the main part.

1 ---- Main parts (Assembly parts)

2 ---- Sub component included in " 1 ".

3 ---- Sub component included in " 2 ".

Note) Parts that are not for sale are partially illustrated but not listed.

### ③ Interchangeability Symbol

When a part change takes place, one of the following interchangeability symbols is indicated beside the part.

Symbol	Interchangeability	Contents note
N	Old $\begin{matrix} \leftarrow \text{Yes} \\ \text{No} \rightarrow \end{matrix}$ New	New Part is interchangeable for Old Part but Old Part is not interchangeable for New Part.
Q	Old $\begin{matrix} \leftarrow \text{No} \\ \text{Yes} \rightarrow \end{matrix}$ New	New Part is not interchangeable for Old Part but Old Part is interchangeable for New Part.
R	Old $\begin{matrix} \leftarrow \text{Yes} \\ \text{Yes} \rightarrow \end{matrix}$ New	New/ Old Parts are both interchangeable.
S	Old $\begin{matrix} \leftarrow \text{No} \\ \text{No} \rightarrow \end{matrix}$ New	New/ Old Parts are both not interchangeable.
W		Part newly added.
Z		Part discontinued.
F		Not interchangeable by a single part but interchangeable together with related parts.
K		Changes only for used parts quantities.

### ④ Effective Machine No.

When a part changes, the effective Machine No. will be indicated in the (A)-(F) column.

Product Symbol	Product No.	Product Symbol	Product No.
C	Clutch No. Compressor No.	F	Machine No. (Agricultural Equip.)
D	Drive No.	M	Machine No.
E	Engine No.		

Note 1) A date may follow the symbol. (Ex.) 1996.01

Note 2) "XXXXX" and "ZZZZZ" are for parts that could not be predicted or for engine models that could not be identified.

Note 3) (A=E00185) is the E (Engine Serial Number) for the column (A) model (in this case 4JH-DT) after the parts design change.

### ⑤ Remarks

Figures or alphabets (symbols) are entered in the remarks column.

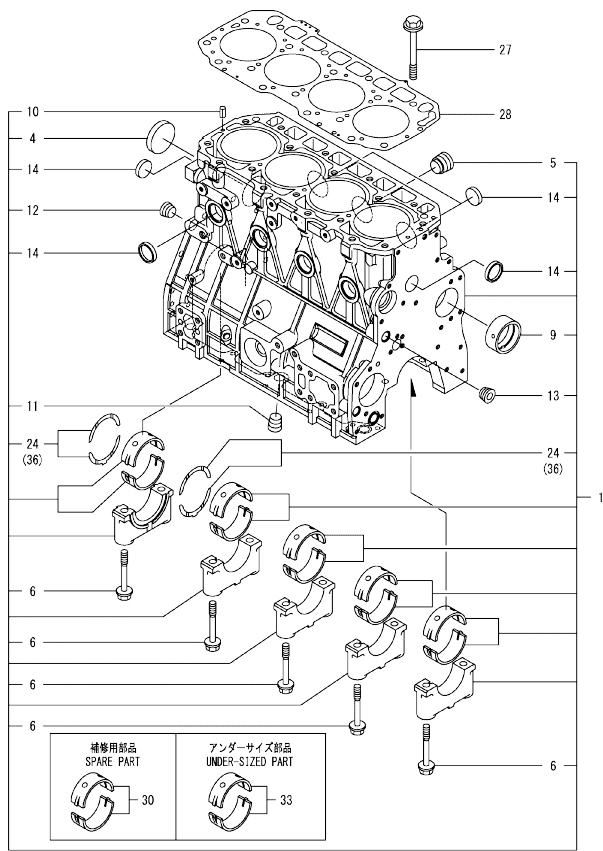
The comments (remarks) on parts that are indicated at the bottom of the illustration are the same symbols as those stated above.

## Contents

0CW10-M75800

Fig. No.	Fig. Name	Fig. No.	Fig. Name
4TNV94L-ZXSDB			
1.	CYLINDER BLOCK		
2.	GEAR HOUSING		
3.	FLYWHEEL HOUSING & OIL SUMP		
4.	CYLINDER HEAD & BONNET		
5.	SUCTION MANIFOLD		
6.	EXHAUST MANIFOLD & SILENCER		
7.	CAMSHAFT & DRIVING GEAR		
8.	CRANKSHAFT & PISTON		
9.	LUB. OIL SYSTEM		
10.	COOLING WATER SYSTEM		
11.	FUEL INJECTION PUMP		
12.	GOVERNOR		
13.	FUEL INJECTION VALVE		
14.	FUEL LINE		
15.	STARTING MOTOR		
16.	GENERATOR		
17.	ELECTRONIC CONTROL UNIT (ECU)		
18.	GASKET SET		

Fig.1. CYLINDER BLOCK



(A)=4TNV94L-ZXSDB  
(B)=  
(C)=

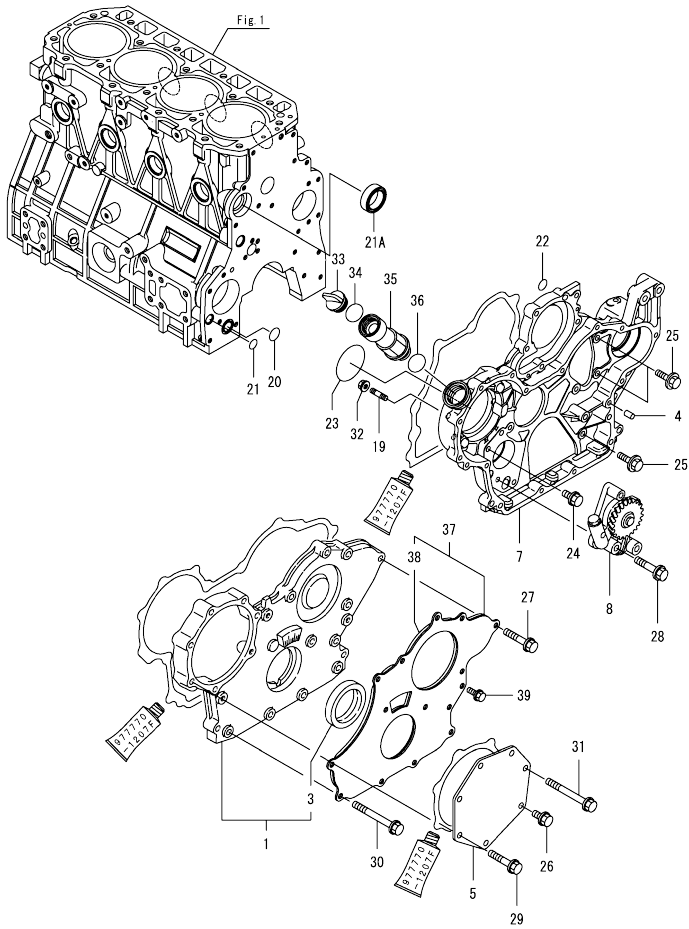
(D)=  
(E)=  
(F)=

No.	Lev.	Parts No.	Description	Q'ty						I	R
				(A)	(B)	(C)	(D)	(E)	(F)		
1	1	729906-01561	BLOCK ASSY, CYLINDER	1							
4	2	129900-01250	PLUG, DISH TYPE 55	1							
5	2	171051-01921	PLUG, NPTF1	1							
6	2	129900-02020	BOLT, METAL CAP	10							
9	2	129900-02410	BUSH, CAMSHAFT	1							
10	2	22351-060012	PIN, SPRING 6.0X12	2							
11	2	23876-030000	PLUG, R03	1							
12	2	23876-030000	PLUG, R03	1							
13	2	23876-030000	PLUG, R03	1							
14	2	27241-300000	PLUG 30	8							
24	2	129900-02931	BEARING ASSY, THRUST	2							
27	1	129900-01200	BOLT, CYLINDER HEAD	18							
28	1	129906-01350	GASKET, HEAD	1							
30	1	729900-02801	BEARING, MAIN	5							1
33	1	129900-02341	BEARING ASSY, MAIN	5							2
36	1	129900-02941	BEARING, THRUST 0.25	2							3

Remarks  
 (1)Spare part.  
 (2)Under-sized(U.S.=0.25)part.  
 (3)Over-sized(O.S.=0.25)part.

0CW10-M75800 4TNV94L-ZXSDB  
 Fig.2. GEAR HOUSING

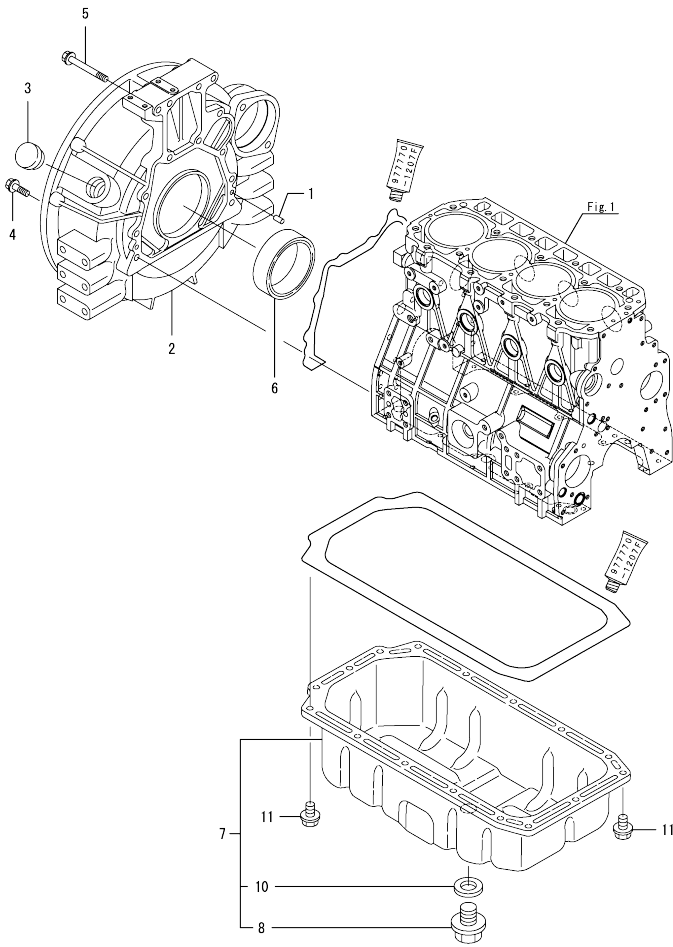
0CW10-M75800 Fig.2



No.	Lev.	Parts No.	Description	Qty						I	R	
				(A)	(B)	(C)	(D)	(E)	(F)			
1	1	729907-01559	COVER ASSY,GEAR CASE	1								
3	2	129916-01800	SEAL, OIL	1								
4	1	129100-01580	PIN, PARALLEL 8X16	4								
5	1	129951-01740	COVER	1								
7	1	129944-01500	CASE, GEAR	1								
8	1	129900-32001	PUMP ASSY, OIL	1								
19	1	26216-100302	STUD, M10X 30	4								
20	1	129900-32030	O-RING, P20	1								
21	1	129900-32040	O-RING, P14	1								
21A	1	129927-42140	GASKET, PUMP OUTLET	1							W	
		(A=EF9832)										
22	1	24311-000070	O-RING, 1AP7.0	1								
23	1	24351-030750	O-RING, 1A3075	1								
24	1	26106-080162	BOLT, M8X 16 PLATED	1								
25	1	26106-080202	BOLT, M8X 20 PLATED	3								
26	1	26106-080202	BOLT, M8X 20 PLATED	1								
27	1	26106-080402	BOLT, M8X 40 PLATED	5								
28	1	26106-080452	BOLT, M8X 45 PLATED	3								
29	1	26106-080452	BOLT, M8X 45 PLATED	5								
30	1	26106-080702	BOLT, M8X 70 PLATED	6								
31	1	26106-080752	BOLT, M8X 75 PLATED	1								
32	1	26306-100002	NUT, M10	4								
33	1	124160-01751	CAP, FILLER	1								
34	1	24311-000320	O-RING, 1AP32.0	1								
35	1	171031-11741	PIPE	1								
36	1	24311-000320	O-RING, 1AP32.0	1								
37	1	129900-01850	COVER ASSY,GEAR CASE	1								
38	2	129900-01870	SPONGE, GEAR CASE	1								
39	1	26106-080162	BOLT, M8X 16 PLATED	3								

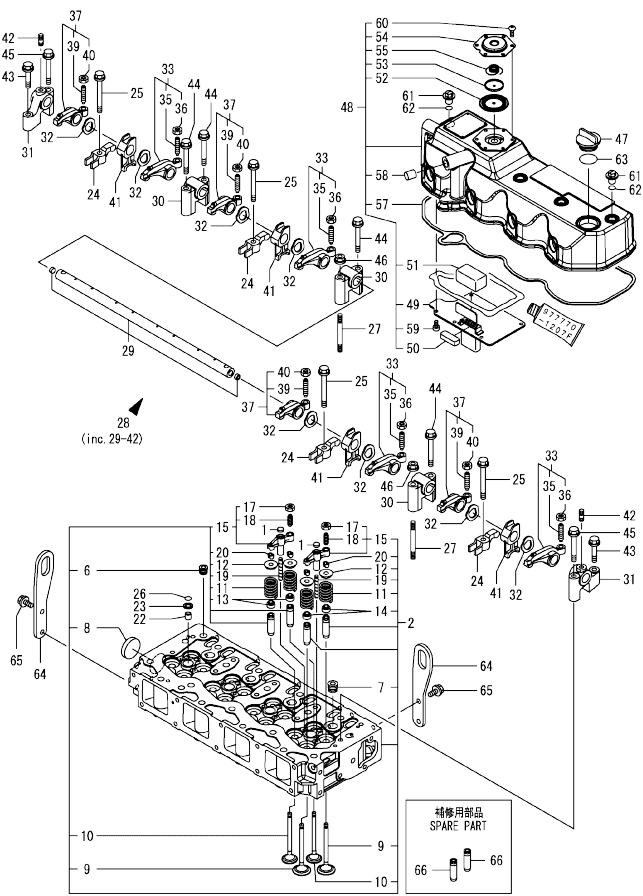
N:Old  $\frac{100}{100}$  New, Q:Old  $\frac{100}{100}$  New, R:Old  $\frac{100}{100}$  New, S:Old  $\frac{100}{100}$  New, W:Add, Z:Discontinued, F:Interchangeable by set, K:Qty Change  
 Copyright (C) YANMAR GLOBAL CS CO., LTD. All Rights Reserved.

Fig.3. FLYWHEEL HOUSING & OIL SUMP



No.	Lev.	Parts No.	Description	Q'ty						I	R
				(A)	(B)	(C)	(D)	(E)	(F)		
1	1	129100-01580	PIN, PARALLEL 8X16	2							
2	1	129981-01600	HOUSING, FLYWHEEL	1							
3	1	119620-01750	CAP	1							
4	1	26206-100352	BOLT, M10X 35 PLATED	9							
5	1	26206-100702	BOLT, M10X 70 PLATED	4							
6	1	129916-01790	SEAL, D115/95XT11	1							
7	1	129916-01710	OIL PAN ASSY	1							
8	2	119640-01640	PLUG, DRAIN M22	1							
10	2	22190-220002	WASHER, SEAL 22	1							
11	1	26106-080122	BOLT, M8X 12 PLATED	16							

Fig.4. CYLINDER HEAD & BONNET



Remarks  
(1) Spare part.

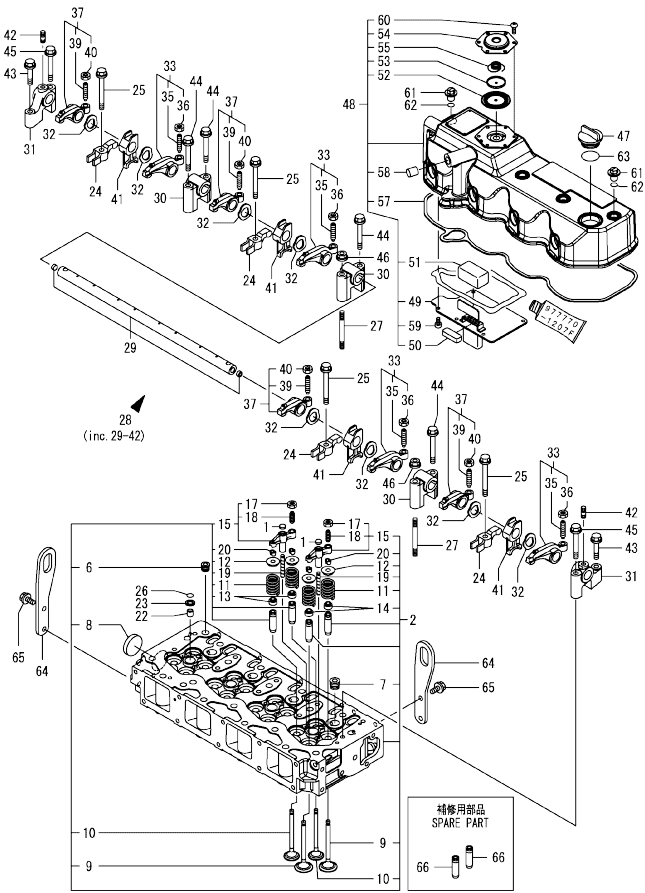
(A)=4TNV94L-ZXSDB  
(B)=  
(C)=

(D)=  
(E)=  
(F)=

No.	Lev.	Parts No.	Description	Q'ty						I	R
				(A)	(B)	(C)	(D)	(E)	(F)		
1	1	123907-11550	SEAT, VALVE BRIDGE	8							
2	1	129907-11700	HEAD ASSY, CYLINDER	1							
6	2	23876-020000	PLUG, R02	1							
7	2	23876-030000	PLUG, R03	4							
8	2	27241-400000	PLUG, 40	1							
9	2	129907-11100	VALVE, SUCTION	8							
10	2	129907-11110	VALVE, EXHAUST	8							
11	2	129907-11120	SPRING, VALVE	16							
12	2	119620-11180	RETAINER, SPRING	16							
13	2	119803-11340	SEAL, VALVE STEM	8							
14	2	124160-11340	SEAL, VALVE STEM	8							
15	2	129907-11510	BRIDGE ASSY, VALVE	8							
17	3	129150-11750	NUT, M8	8							
18	3	123907-11830	ADJUSTER	8							
19	2	123907-11820	GUIDE, BRIDGE	8							
20	2	27310-070001	COTTER, 7	16							
22	1	119802-11870	PROTECTOR, NOZZLE	4							
23	1	119625-11880	SEAT, NOZZLE	4							
24	1	129907-11910	RETAINER, NOZZLE	4							
25	1	129907-11950	BOLT, M8X75	4							
26	1	24311-000120	O-RING, 1AP12.0	4							
27	1	119593-11301	BOLT, STUD M8X80	2							
28	1	129907-11341	SHAFT ASSY, ROCKER	1							
29	2	129907-11250	SHAFT, ROCKER ARM	1							
30	2	129907-11260	SUPPORT, ROCKER ARM	3							
31	2	129907-11270	SUPPORT, ROCKER ARM	2							
32	2	123907-11280	WASHER	8							
33	2	129907-11650	ARM ASSY, ROCKER	4							
35	3	129150-11230	SCREW, VALVE ADJUST	4							
36	3	129150-11750	NUT, M8	4							
37	2	129907-11660	ARM ASSY, ROCKER	4							
39	3	129150-11230	SCREW, VALVE ADJUST	4							
40	3	129150-11750	NUT, M8	4							
41	2	129907-11920	RETAINER, NOZZLE	4							
42	2	26226-080222	STUD, M8X 22	2							
43	1	26106-080402	BOLT, M8X 40 PLATED	2							
44	1	26106-080602	BOLT, M8X 60 PLATED	4							
45	1	26106-080602	BOLT, M8X 60 PLATED	2							
46	1	26306-080002	NUT, M8	2							
47	1	124160-01751	CAP, FILLER	1							
48	1	129907-11321	BONNET ASSY, HEAD	1							
49	2	129907-03011	PLATE, BAFFLE	1							
50	2	129907-03061	BAFFLE, BREATHER	1							
51	2	129907-03070	BAFFLE, BREATHER	1							
52	2	123907-03100	DIAPHRAGM	1							
53	2	123907-03110	PLATE	1							
54	2	123907-03120	PLATE, BREATHER	1							
55	2	123907-03140	SPRING, DIAPHRAGM	1							
57	2	129933-11310	GASKET, BONNET	1							
58	2	119640-61400	PLUG	1							
59	2	22857-500100	SCREW, 5X10	6							



Fig.4. CYLINDER HEAD & BONNET



(A)=4TNV94L-ZXSDB  
(D)=  
(E)=  
(F)=

No.	Lev.	Parts No.	Description	Q'ty						I	R
				(A)	(B)	(C)	(D)	(E)	(F)		
60	2	22857-500100	SCREW, 5X10	6							
61	1	124160-11360	KNOB	4							
62	1	24311-000120	O-RING, 1AP12.0	4							
63	1	24311-000320	O-RING, 1AP32.0	1							
64	1	129907-07900	LIFTER, ENGINE	2							
65	1	26106-080162	BOLT, M8X 16 PLATED	4							
66	1	129907-11800	GUIDE, VALVE	16							1

Remarks  
(1)Spare part.

Fig.5. SUCTION MANIFOLD

(A)=4TNV94L-ZXSDB  
(B)=  
(C)=

(D)=  
(E)=  
(F)=

No.	Lev.	Parts No.	Description	Q'ty						I	R
				(A)	(B)	(C)	(D)	(E)	(F)		
1	1	129907-12100	MANIFOLD, AIR INTAKE	1							
2	1	129907-12110	GASKET, MANIFOLD	1							
3	1	26106-080552	BOLT, M8X 55 PLATED	9							
4	1	26106-080852	BOLT, M8X 85 PLATED	1							
5	1	119129-77020	GASKET	1							
6	1	121850-77021	GASKET, AIR HEATER	1							
7	1	119005-77051	HEATER, AIR	1							
8	1	119129-77520	BEND	1							
9	1	26106-080402	BOLT, M8X 40 PLATED	2							
10	1	26106-080902	BOLT, M8X 90 PLATED	2							

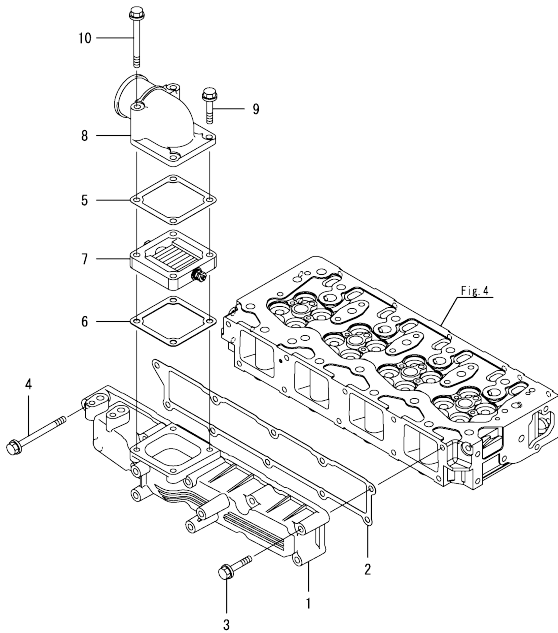
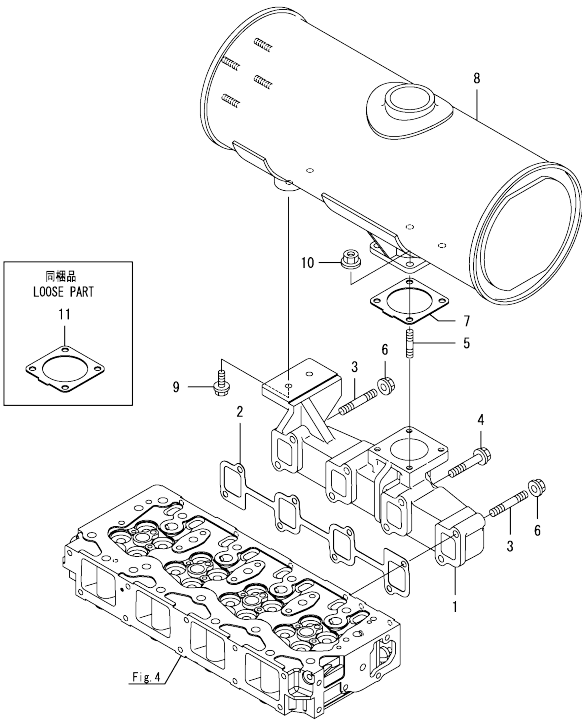


Fig.6. EXHAUST MANIFOLD & SILENCER

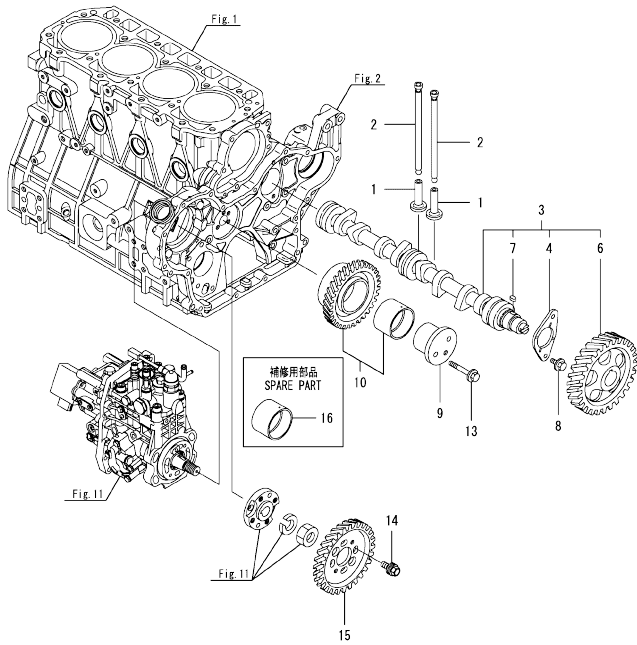


(A)=4TNV94L-ZXSDB  
(B)=  
(C)=

(D)=  
(E)=  
(F)=

No.	Lev.	Parts No.	Description	Q'ty						
				(A)	(B)	(C)	(D)	(E)	(F)	
1	1	129907-13201	MANIFOLD, EXHAUST	1						
2	1	129900-13251	GASKET, EXH.MANIFOLD	1						
3	1	123900-13610	BOLT, STUD M8X80				2			
4	1	123900-13630	BOLT, M8X80				6			
5	1	119131-18320	BOLT, STUD M8X22				4			
6	1	26306-080002	NUT, M8				2			
7	1	129930-13201	GASKET, SILENCER	1						
8	1	129907-13500	SILENCER	1						
9	1	26106-080252	BOLT, M8X 25 PLATED				2			
10	1	26306-080002	NUT, M8				4			
11	1	129930-13201	GASKET, SILENCER	1						

Fig.7. CAMSHAFT & DRIVING GEAR



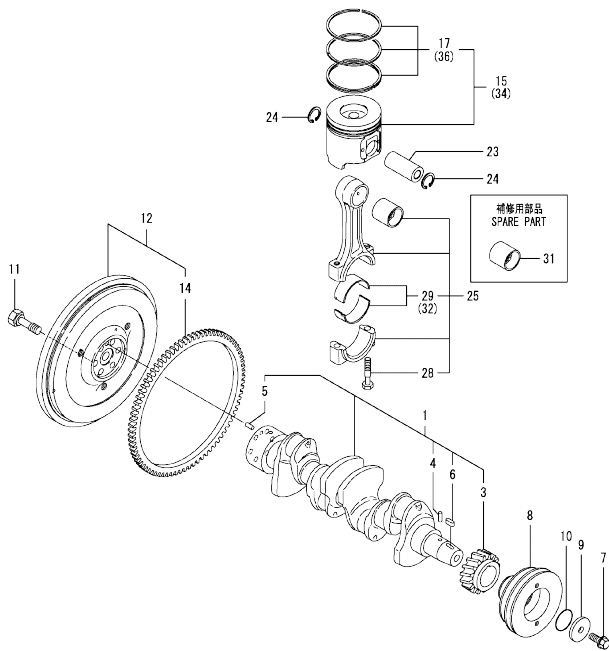
(A)=4TNV94L-ZXSDB  
(B)=  
(C)=

(D)=  
(E)=  
(F)=

No.	Lev.	Parts No.	Description	Q'ty						I	R
				(A)	(B)	(C)	(D)	(E)	(F)		
1	1	129150-14200	TAPPET	8							
2	1	129907-14400	PUSH-ROD	8							
3	1	129908-14581	CAMSHAFT ASSY	1							
4	2	129150-02450	BEARING, THRUST	1							
6	2	129900-14100	GEAR, CAMSHAFT	1							
7	2	22512-070140	KEY, 7X 14	1							
8	1	26106-080162	BOLT, M8X 16 PLATED	2							
9	1	123900-25060	SHAFT, IDLE GEAR	1							
10	1	129900-25100	GEAR ASSY, IDLE	1							
13	1	26106-080552	BOLT, M8X 55 PLATED	3							
14	1	129953-25300	BOLT	4							
15	1	129907-25900	GEAR, PUMP	1							
16	1	129150-25920	BUSH, IDLE GEAR	1							1

Remarks  
(1)Spare part.

Fig.8. CRANKSHAFT & PISTON



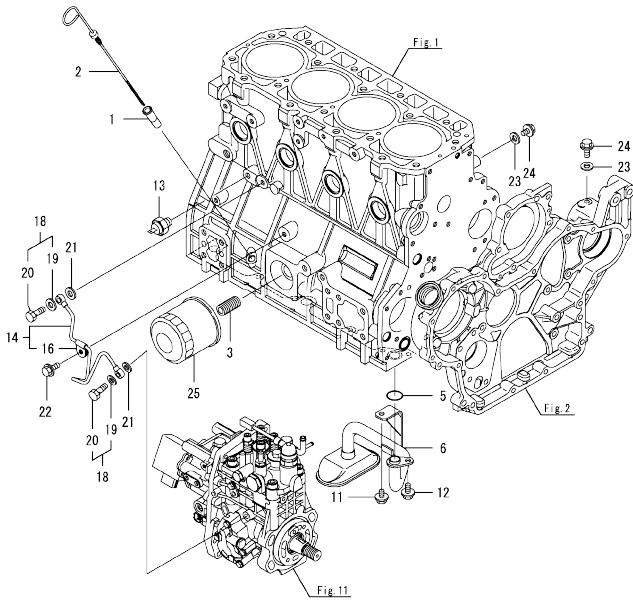
(A)=4TNV94L-ZXSDB  
(B)=  
(C)=

(D)=  
(E)=  
(F)=

No.	Lev.	Parts No.	Description	Q'ty						I	R
				(A)	(B)	(C)	(D)	(E)	(F)		
1	1	129902-21000	CRANKSHAFT ASSY	1							
3	2	129900-21200	GEAR, CRANKSHAFT	1							
4	2	121850-21290	PIN	1							
5	2	121850-21920	PIN, PARALLEL 10X22	1							
6	2	22512-070140	KEY, 7X 14	1							
7	1	129916-21610	BOLT	1							
8	1	129916-21620	V-PULLEY, CRANKSHAFT	1							
9	1	129960-21640	WASHER	1							
10	1	24341-000530	O-RING, 1AS53.0	1							
11	1	121850-21130	BOLT, FLYWHEEL	6							
12	1	129953-21560	FLYWHEEL ASSY	1							
14	2	129900-21600	GEAR, RING	1							
15	1	129906-22090	PISTON ASSY	4							
17	2	129906-22050	RING SET, PISTON	4							
23	1	120130-22301	PIN, PISTON	4							
24	1	22252-000300	RING, 30	8							
25	1	129900-23001	ROD ASSY, CONNECTING	4							
28	2	129900-23200	BOLT, CONNECTING ROD	8							
29	2	129900-23601	BEARING, CRANK PIN	4							
31	1	129900-23911	BEARING, PISTON PIN	4							1
32	1	129900-23611	BEARING ASSY, 0.25US	4							2
34	1	129906-22910	PISTON ASSY, 0.25 OS	4							3
36	2	129916-22950	RING SET, 0.25 OS	4							3

Remarks  
(1)Spare part.  
(2)Under-sized(U.S.=0.25)part.  
(3)Over-sized(O.S.=0.25)part.

Fig.9. LUB. OIL SYSTEM



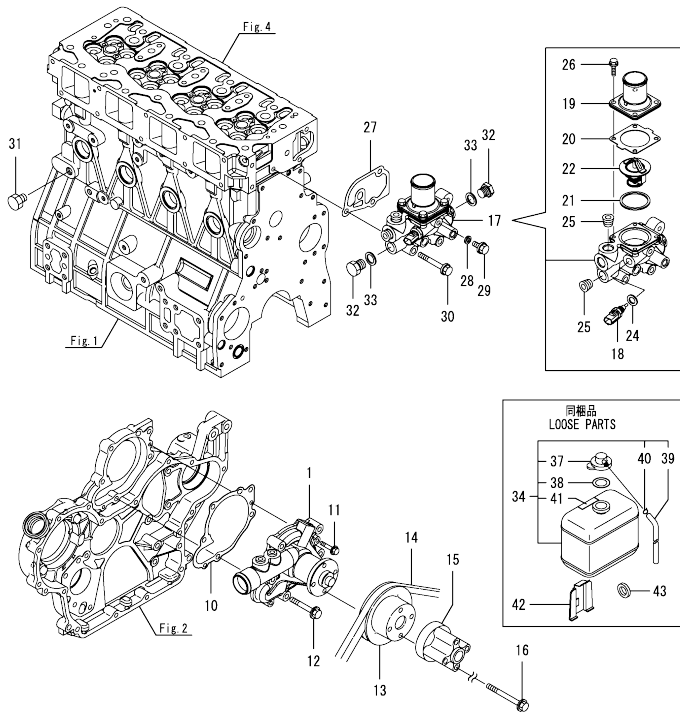
(A)=4TNV94L-ZXSDB  
(B)=  
(C)=

(D)=  
(E)=  
(F)=

No.	Lev.	Parts No.	Description	Q'ty						I	R
				(A)	(B)	(C)	(D)	(E)	(F)		
1	1	121520-34810	GUIDE, DIPSTICK	1							
2	1	129906-34851	DIPSTICK	1							
3	1	119000-35140	BOLT, STUD FILTER	1							
5	1	129900-32030	O-RING, P20	1							
6	1	129953-35000	PIPE ASSY, OIL INLET	1							
11	1	26106-080122	BOLT, M8X 12 PLATED	1							
12	1	26106-080162	BOLT, M8X 16 PLATED	1							
13	1	119761-39450	SWITCH, HYDRAULIC	1							
14	1	129927-39060	PIPE ASSY, OIL	1							
16	2	123907-39500	RETAINER, PIPE	1							
18	1	129005-59830	BOLT ASSY, JOINT M8	2							
19	2	22190-080002	WASHER, SEAL 6	2							
20	2	23857-030000	BOLT, JOINT 3	2							
21	1	22190-080002	WASHER, SEAL 6	2							
22	1	26106-080122	BOLT, M8X 12 PLATED	1							
23	1	22190-080002	WASHER, SEAL 6	2							
24	1	26106-080122	BOLT, M8X 12 PLATED	2							
25	1	119005-35151	FILTER, D80X100	1							1

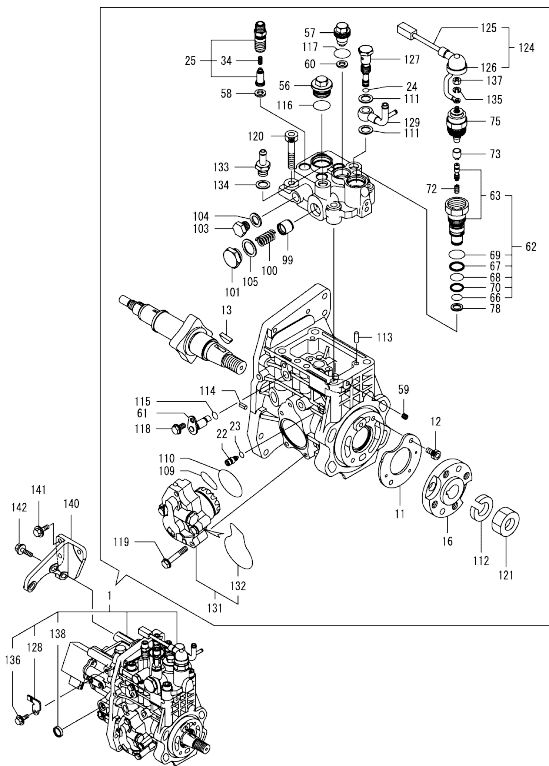
Remarks  
(1)Spare part.

Fig.10. COOLING WATER SYSTEM



No.	Lev.	Parts No.	Description	Q'ty						I	R
				(A)	(B)	(C)	(D)	(E)	(F)		
1	1	129900-42002	PUMP ASSY, WATER	1							
10	1	129900-42020	GASKET, WATER PUMP	1							
11	1	26106-060302	BOLT, M6X 30 PLATED	2							
12	1	26106-080552	BOLT, M8X 55 PLATED	5							
13	1	129916-42410	V-PULLEY, C.W.PUMP	1							
14	1	25153-004400	V-BELT, B44	1							
15	1	119117-44760	SPACER, FAN	1							
16	1	26106-080802	BOLT, M8X 80 PLATED	4							
17	1	129932-49800	CASE ASSY, THERMOSTA	1							
18	2	129927-44900	SENSOR, WATER TEMP.	1							
19	2	129916-49530	COVER, THERMOSTAT	1							
20	2	121850-49540	GASKET, THERMOSTAT	1							
21	2	121850-49550	GASKET, THERMOSTAT	1							
22	2	121850-49801	THERMOSTAT, 82C	1							
24	2	22190-120002	WASHER, SEAL 12	1							
25	2	23875-030000	PLUG, R03	2							
26	2	26106-060202	BOLT, M6X 20 PLATED	4							
27	1	129900-49870	GASKET, THERMOSTAT	1							
28	1	23414-080000	GASKET, 8X1.0	1							
29	1	26106-080122	BOLT, M8X 12 PLATED	1							
30	1	26106-080602	BOLT, M8X 60 PLATED	3							
31	1	171056-49120	PLUG, DRAIN R1/4	1							
32	1	121450-42450	PLUG, M16	2							
33	1	124465-44950	GASKET, 16	2							
34	1	121857-44800	TANK ASSY, RESERVE	1							
37	2	121850-44850	CAP	1							
38	2	121850-44860	GASKET	1							
39	2	121850-44870	HOSE	1							
40	2	121850-44880	CLAMP, HOSE	1							
41	2	121850-44830	LABEL, RESERVE TANK	1							
42	1	120147-44810	BRACKET	1							
43	1	129150-49360	GASKET	1							

Fig.11. FUEL INJECTION PUMP



Remarks

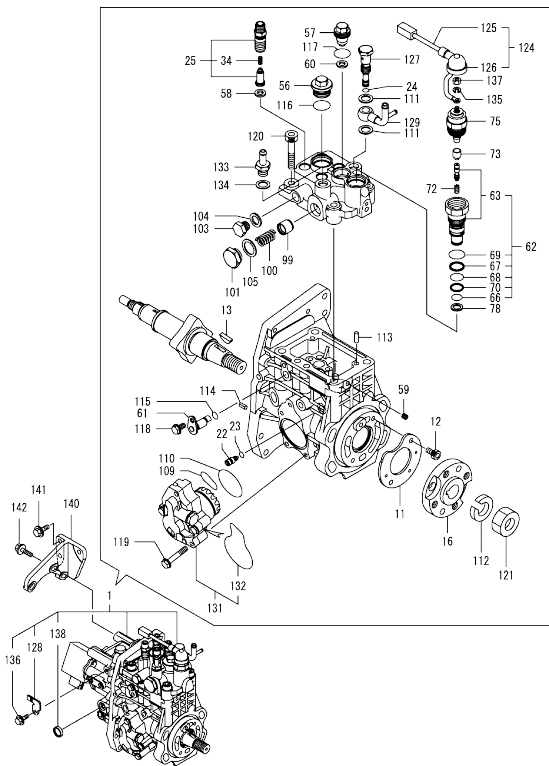
(1)Governor(Fig.12)is incorporated in this Fuel Injection Pump (Ref.1).  
 (1)Eco Pump  
 Make sure to update the engines ECU information when replacing the Eco Pump.  
 Failing to do so will result in engine malfunction.

No.	Lev.	Parts No.	Description	Q'ty						I	R
				(A)	(B)	(C)	(D)	(E)	(F)		
1	1	729932-51450	FIE ASSY	1							1
11	2	129928-51900	COVER	1							
12	2	129008-51920	BOLT, SOCKET M6X10	2							
13	2	144626-51090	FEATHER KEY, 5X19	1							
16	2	158563-51150	FLANGE	1							
22	2	158600-51270	STOPPER, TAPPET	1							
23	2	158563-51281	O-RING, 4D S6	1							
24	2	158563-51281	O-RING, 4D S6	1							
25	2	129509-51390	VALVE ASSY, DELIVERY	4							
34	3	158563-51330	SPRING, DELIVERY	4							
56	2	158601-51550	PLUG, M22	1							
57	2	129907-51560	PLUG, M16	1							
58	2	158552-51571	GASKET, PLUG	4							
59	2	158557-51570	PLUG, RACK	1							
60	2	129906-51580	GASKET, PLUG	1							
61	2	158552-51580	LIFTER, LINK	1							
62	2	129657-51590	TIMER ASSY	1							
63	3	129657-51600	TIMER ASSY	1							
66	3	158553-51670	O-RING	1							
67	3	119802-51680	RING, BACKUP	1							
68	3	119802-51690	O-RING	1							
69	3	24356-190200	O-RING, 4D19020	1							
70	3	24372-000150	RING, BACK UP T2P15	1							
72	2	119852-51630	SPRING, TIMER	1							
73	2	119852-51640	CAP, TIMER	1							
75	2	119852-51650	VALVE ASSY, SOLENOID	1							
78	2	158553-51680	GASKET, TIMER	1							
99	2	158601-51770	PISTON, ACCUMULATOR	1							
100	2	158552-51781	SPRING, ACCUMULATOR	1							
101	2	158601-51790	PLUG	1							
103	2	158553-51930	PLUG, M12	1							
104	2	22190-120002	WASHER, SEAL 12	1							
105	2	22190-180002	WASHER, SEAL 18	1							
109	2	158552-52311	O-RING	1							
110	2	158552-52400	O-RING, 4E S42	1							
111	2	22190-120002	WASHER, SEAL 12	2							
112	2	22217-180000	WASHER, SPRING 18	1							
113	2	22312-050140	PIN, PARALLEL M5X14	2							
114	2	22351-050010	PIN, SPRING 5.0X10	2							
115	2	24311-000070	O-RING, 1AP7.0	1							
116	2	24356-190200	O-RING, 4D19020	1							
117	2	24356-240210	O-RING, 4D24021	1							
118	2	26106-060102	BOLT, M6X 10 PLATED	1							
119	2	26106-060352	BOLT, M6X 35 PLATED	4							
120	2	26450-100452	BOLT, M10X 45	4							
121	2	26776-180002	NUT, LOCK M18	1							
124	2	129927-51650	HARNESS ASSY, WIRE	1							
125	3	129927-51660	HARNESS	1							
126	3	129263-77941	CAP, RUBBER	1							
127	2	158601-51650	JOINT, OVER FLOW	1							
128	2	129927-51670	BRACKET	1							

N:Old  $\frac{New}{Old}$  New, Q:Old  $\frac{New}{Old}$  New, R:Old  $\frac{New}{Old}$  New, S:Old  $\frac{New}{Old}$  New, W:Add, Z:Discontinued, F:Interchangeable by set, K:Q'ty Change  
 ++ CONTINUE ++  
 Copyright (C) YANMAR GLOBAL CS CO., LTD. All Rights Reserved.



Fig.11. FUEL INJECTION PUMP



(A)=4TNV94L-ZXSDB  
(B)=  
(C)=

(D)=  
(E)=  
(F)=

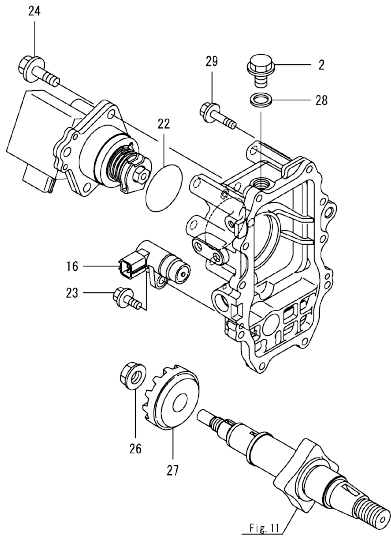
No.	Lev.	Parts No.	Description	Q'ty						I	R
				(A)	(B)	(C)	(D)	(E)	(F)		
129	2	158552-51670	JOINT, OVER FLOW	1							
131	2	158552-52100	PUMP ASSY, FUEL FEED	1							
132	3	158552-52500	O-RING	1							
133	2	119934-59910	JOINT, PIPE	1							
134	2	22190-120002	WASHER, SEAL 12	1							
135	2	22217-050000	WASHER, SPRING 5	1							
136	2	26106-060122	BOLT, M6X 12 PLATED	1							
137	2	26716-050002	NUT, M5	1							
138	2	27241-160000	PLUG, 16	1							
140	1	129927-51250	RETAINER, PUMP	1							
141	1	26106-080202	BOLT, M8X 20 PLATED	3							
142	1	26106-080302	BOLT, M8X 30 PLATED	3							

Remarks

(1)Governor(Fig.12)is incorporated in this Fuel Injection Pump (Ref.1).  
(1)Eco Pump  
Make sure to update the engines ECU information when replacing the Eco Pump.  
Failing to do so will result in engine malfunction.

0CW10-M75800 4TNV94L-ZXSDB  
 Fig.12. GOVERNOR

0CW10-M75800 Fig.12



(A)=4TNV94L-ZXSDB  
 (B)=  
 (C)=

(D)=  
 (E)=  
 (F)=

No.	Lev.	Parts No.	Description	Q'ty						
				(A)	(B)	(C)	(D)	(E)	(F)	
2	2	158553-51930	PLUG, M12	1						
16	2	158557-61720	SENSOR	1						
22	2	24341-000480	O-RING, 1AS48.0	1						
23	2	26106-060162	BOLT, M6X 16 PLATED	1						
24	2	26106-080252	BOLT, M8X 25 PLATED	3						
26	2	129008-61301	NUT	1						
27	2	158553-61780	GEAR, SENSOR	1						
28	2	22190-120002	WASHER, SEAL 12	1						
29	2	26106-060252	BOLT, M6X 25 PLATED	10						

Remarks  
 \*This figure(Governor)is incorporated  
 in the Fuel Injection Pump (Fig.11).

N:Old  $\frac{100}{100}$  New, Q:Old  $\frac{100}{100}$  New, R:Old  $\frac{100}{100}$  New, S:Old  $\frac{100}{100}$  New, W:Add, Z:Discontinued, F:Interchangeable by set, K:Q'ty Change  
 Copyright (C) YANMAR GLOBAL CS CO., LTD. All Rights Reserved.

Fig.13. FUEL INJECTION VALVE

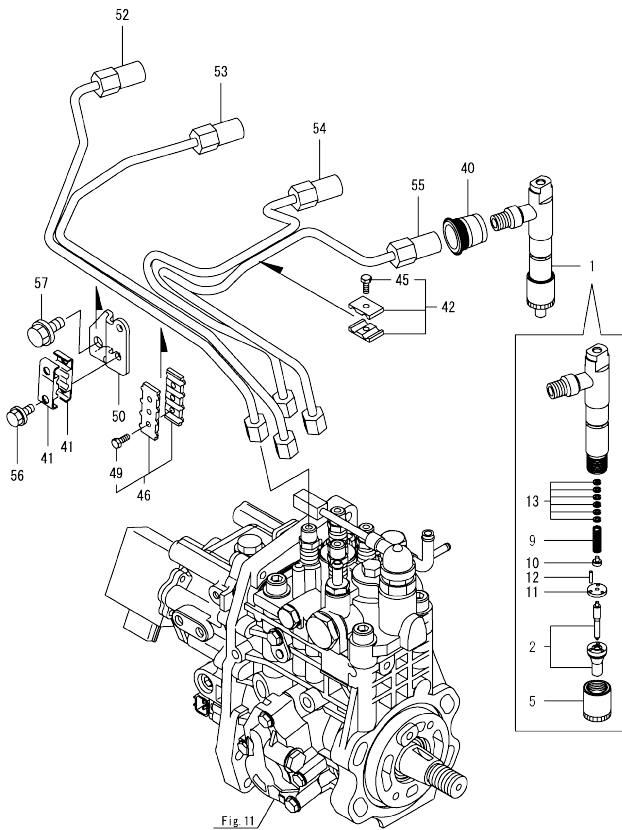
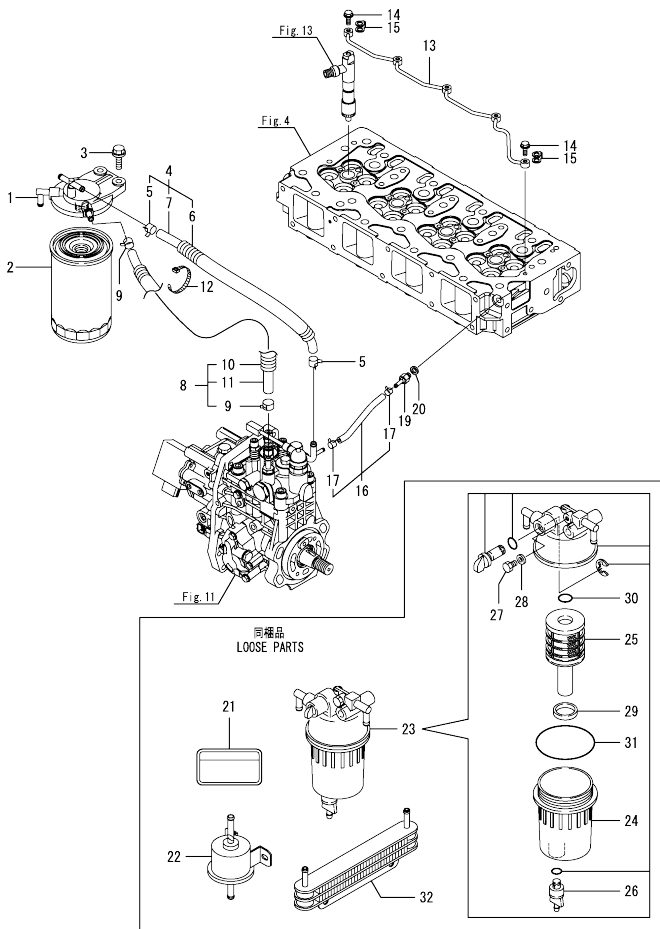


Fig.11

No.	Lev.	Parts No.	Description	Q'ty						I	R
				(A)	(B)	(C)	(D)	(E)	(F)		
1	1	729906-53100	FUEL INJECTOR ASSY	4							
2	2	129906-53000	NOZZLE ASSY, F.I.	4							
5	2	114250-53080	NUT, NOZZLE	4							
9	2	114250-53120	SPRING, NOZZLE	4							
10	2	114250-53130	SEAT, SPRING	4							
11	2	114250-53140	SPACER	4							
12	2	114250-53210	PIN	8							
13	2	119803-53400	SHIM SET	4							
40	1	123907-11601	SEAL, PIPE	4							
41	1	122780-59100	RETAINER	2							
42	1	119305-59120	RETAINER, PIPE	1							
45	2	129150-59131	BOLT, M4X14	1							
46	1	129550-59120	RETAINER, PIPE	1							
49	2	129150-59131	BOLT, M4X14	2							
50	1	129907-59710	SUPPORT	1							
52	1	129907-59810	PIPE ASSY, INJECTION	1							
53	1	129907-59820	PIPE ASSY, INJECTION	1							
54	1	129907-59830	PIPE ASSY, INJECTION	1							
55	1	129907-59840	PIPE ASSY, INJECTION	1							
56	1	26106-060162	BOLT, M6X 16 PLATED	2							
57	1	26106-080182	BOLT, M8X 18 PLATED	1							

Fig.14. FUEL LINE

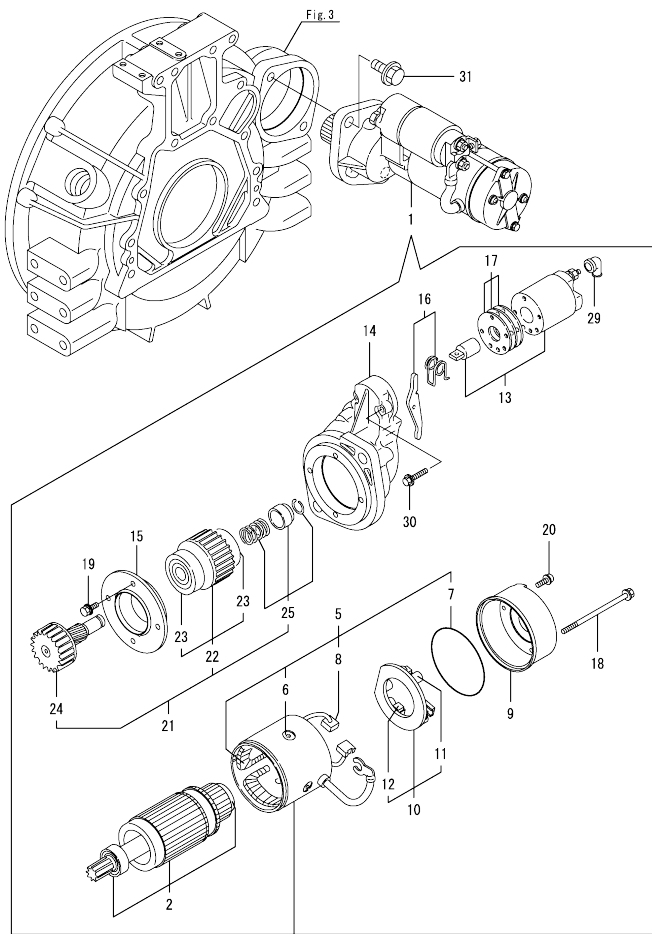


(A)=4TNV94L-ZXSDB  
(B)=  
(C)=

(D)=  
(E)=  
(F)=

No.	Lev.	Parts No.	Description	Qty						I	R	
				(A)	(B)	(C)	(D)	(E)	(F)			
1	1	129004-55612	BRACKET, FILTER	1								
2	1	129907-55801	FILTER, FUEL	1								
3	1	26106-080302	BOLT, M8X 30 PLATED	2								
4	1	129457-59010	HOSE ASSY, FUEL	1								
5	2	124766-59050	CLAMP, HOSE 11.5	2								
6	2	129957-59120	TUBE, CORRUGATED 15	1								
7	2	105025-59750	HOSE, FUEL	1								
8	1	129981-59010	HOSE ASSY, FUEL	1								
9	2	124766-59050	CLAMP, HOSE 11.5	2								
10	2	129950-59221	TUBE, CORRUGATED 15	1								
11	2	129980-59510	HOSE, FUEL	1								
12	1	121750-59890	BAND, NYLON	1								
13	1	129907-59140	PIPE ASSY, RETURN	1								
14	1	123907-59540	BOLT, PIPE JOINT M6	5								
15	1	123907-59550	GASKET	5								
16	1	129486-59551	HOSE ASSY, RETURN	1								
17	2	124722-59050	CLAMP, HOSE 9	2								
19	1	123907-59560	JOINT, HOSE	1								
20	1	22190-080002	WASHER, SEAL 6	1								
21	1	114110-07761	LABEL, FUEL OIL CAUT	1								
22	1	129612-52100	PUMP, FUEL FEED	1								
23	1	129245-55711	SEPARATOR ASSY,WATER	1								
24	2	129245-55720	CUP ASSY, SEPARATOR	1								
25	2	129242-55730	ELEMENT, FUEL	1								
26	2	129242-55740	PLUG, DRAIN	1								
27	2	129242-55750	VALVE, AIR VENT	1								
28	2	129242-55760	GASKET, PLUG	1								
29	2	129242-55770	FLOAT	1								
30	2	24311-000160	O-RING, 1AP16.0	1								
31	2	24321-000750	O-RING, 1AG75.0	1								
32	1	129973-55900	COOLER,FUEL OIL	1								

Fig.15. STARTING MOTOR



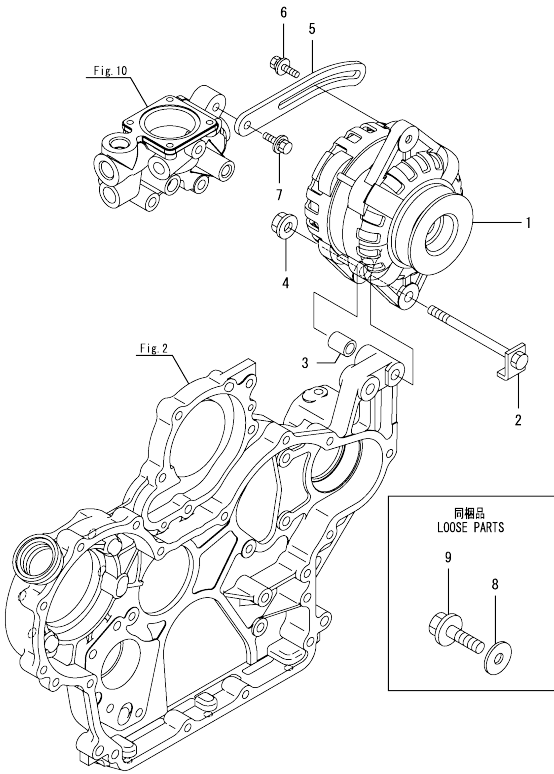
(A)=4TNV94L-ZXSDB  
(B)=  
(C)=

(D)=  
(E)=  
(F)=

No.	Lev.	Parts No.	Description	Q'ty						I	R
				(A)	(B)	(C)	(D)	(E)	(F)		
1	1	129940-77011	STARTER ASSY	1							
2	2	129940-77100	ARMATURE ASSY	1							
5	2	129940-77130	COIL ASSY, FIELD	1							
6	3	129940-77140	SCREW, CORE SET	4							
7	3	129940-77150	O-RING	1							
8	3	129940-77160	BRUSH	2							
9	2	129940-77171	COVER	1							
10	2	129940-77181	HOLDER ASSY, BRUSH	1							
11	3	129940-77190	SPRING, BRUSH	1							
12	3	129940-77200	BRUSH	2							
13	2	129940-77210	SWITCH ASSY, MAGNET	1							
14	2	129940-77221	CASE, GEAR	1							
15	2	129940-77230	RETAINER, BEARING	1							
16	2	129940-77240	LEVER SET	1							
17	2	129940-77250	COVER KIT, DUST	1							
18	2	129940-77260	BOLT, THROUGH	2							
19	2	129940-77270	BOLT	4							
20	2	129940-77280	SCREW	2							
21	2	123900-77510	PINION ASSY	1							
22	3	123900-77520	CLUTCH ASSY	1							
23	4	X2240610100	BEARING, BALL	2							
24	3	123900-77540	SHAFT, PINION	1							
25	3	119131-77550	STOPPER SET, PINION	1							
29	2	121254-77810	COVER, TERMINAL	1							
30	2	114371-79070	BOLT	2							
31	1	26106-120252	BOLT, M12X 25 PLATED	2							

0CW10-M75800 4TNV94L-ZXSDB  
 Fig.16. GENERATOR

0CW10-M75800 Fig.16

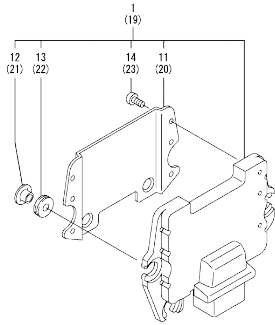


(A)=4TNV94L-ZXSDB  
 (B)=  
 (C)=

(D)=  
 (E)=  
 (F)=

No.	Lev.	Parts No.	Description	Q'ty					
				(A)	(B)	(C)	(D)	(E)	(F)
1	1	129908-77210	ALTERNATOR	1					
2	1	129908-77220	BOLT, STOPPER M10	1					
3	1	129908-77360	PIECE, DISTANCE	1					
4	1	26306-100002	NUT, M10	1					
5	1	129916-77300	ADJUSTER, BELT	1					
6	1	119810-77340	BOLT, ADJUST L=30	1					
7	1	26014-080252	BOLT, M8X 25	1					
8	1	129927-77690	WASHER, ECU	3					
9	1	26106-080252	BOLT, M8X 25 PLATED	3					

Fig.17. ELECTRONIC CONTROL UNIT (ECU)



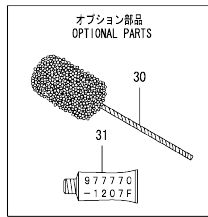
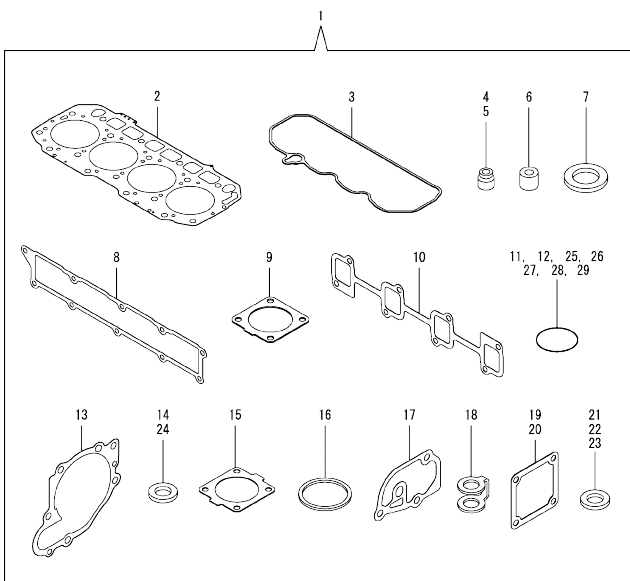
(A)=4TNV94L-ZXSDB  
(B)=  
(C)=

(D)=  
(E)=  
(F)=

No.	Lev.	Parts No.	Description	Q'ty						I	R
				(A)	(B)	(C)	(D)	(E)	(F)		
1	1	129932-75020	ECU ASSY,94L-ZXSDB	1							1
11	2	129927-77600	SHIELD, ECU	1							
12	2	129927-77680	COLLAR, CONTROL	3							
13	2	119578-91351	ABSORBER	3							
14	2	22877-500080	SCREW, 5X 8	6							
19	1	129927-75900	ECU ASSY, SERVICE	1							2
20	2	129927-77600	SHIELD, ECU	1							
21	2	129927-77680	COLLAR, CONTROL	3							
22	2	119578-91351	ABSORBER	3							
23	2	22877-500080	SCREW, 5X 8	6							

Remarks  
(1)Eco ECU  
This part cannot be ordered.  
Replace the part using a Service ECU with the proper engine information installed.  
(2)Service ECU  
If the proper information is not installed, the engine will not operate.  
To install proper information, go to an authorized Distributor.

Fig.18. GASKET SET



Remarks  
(1)Optional parts.

No.	Lev.	Parts No.	Description	Qty						I	R	
				(A)	(B)	(C)	(D)	(E)	(F)			
1	1	129932-92760	GASKET SET	1							1	
2	2	129906-01350	GASKET, HEAD	1								
3	2	129933-11310	GASKET, BONNET	1								
4	2	119803-11340	SEAL, VALVE STEM	8								
5	2	124160-11340	SEAL, VALVE STEM	8								
6	2	119802-11870	PROTECTOR, NOZZLE	4								
7	2	119625-11880	SEAT, NOZZLE	4								
8	2	129907-12110	GASKET, MANIFOLD	1								
9	2	129930-13201	GASKET, SILENCER	1								
10	2	129900-13251	GASKET, EXH.MANIFOLD	1								
11	2	129900-32030	O-RING, P20	2								
12	2	129900-32040	O-RING, P14	1								
13	2	129900-42020	GASKET, WATER PUMP	1								
14	2	124465-44950	GASKET, 16	2								
15	2	121850-49540	GASKET, THERMOSTAT	1								
16	2	121850-49550	GASKET, THERMOSTAT	1								
17	2	129900-49870	GASKET, THERMOSTAT	1								
18	2	123907-59550	GASKET	5								
19	2	119129-77020	GASKET	2								
20	2	121850-77021	GASKET, AIR HEATER	1								
21	2	22190-080002	WASHER, SEAL 6	7								
22	2	22190-120002	WASHER, SEAL 12	1								
23	2	22190-220002	WASHER, SEAL 22	1								
24	2	23414-080000	GASKET, 8X1.0	1								
25	2	24311-000070	O-RING, 1AP7.0	1								
26	2	24311-000120	O-RING, 1AP12.0	8								
27	2	24311-000320	O-RING, 1AP32.0	3								
28	2	24341-000530	O-RING, 1AS53.0	1								
29	2	24351-030750	O-RING, 1A3075	1								
30	1	129400-92440	HONE, FLEX	1								1
31	1	977770-1207F	GASKET,LIQUID	1								1



## Parts No. Index

Parts No.	Fig. No.	Ref. No.
105025-59750	14	7
114110-07761	14	21
114250-53080	13	5
114250-53120	13	9
114250-53130	13	10
114250-53140	13	11
114250-53210	13	12
114371-79070	15	30
119000-35140	9	3
119005-35151	9	25
119005-77051	5	7
119117-44760	10	15
119129-77020	5	5
	18	19
119129-77520	5	8
119131-18320	6	5
119131-77550	15	25
119305-59120	13	42
119578-91351	17	13
		22
119593-11301	4	27
119620-01750	3	3
119620-11180	4	12
119625-11880	4	23
	18	7
119640-01640	3	8
119640-61400	4	58
119761-39450	9	13
119802-11870	4	22
	18	6
119802-51680	11	67
119802-51690	11	68
119803-11340	4	13
	18	4
119803-53400	13	13
119810-77340	16	6
119852-51630	11	72
119852-51640	11	73
119852-51650	11	75
119934-59910	11	133
120130-22301	8	23
120147-44810	10	42
121254-77810	15	29
121450-42450	10	32
121520-34810	9	1
121750-59890	14	12
121850-21130	8	11
121850-21290	8	4
121850-21920	8	5
121850-44830	10	41

Parts No.	Fig. No.	Ref. No.
121850-44850	10	37
121850-44860	10	38
121850-44870	10	39
121850-44880	10	40
121850-49540	10	20
	18	15
121850-49550	10	21
	18	16
121850-49801	10	22
121850-77021	5	6
	18	20
121857-44800	10	34
122780-59100	13	41
123900-13610	6	3
123900-13630	6	4
123900-25060	7	9
123900-77510	15	21
123900-77520	15	22
123900-77540	15	24
123907-03100	4	52
123907-03110	4	53
123907-03120	4	54
123907-03140	4	55
123907-11280	4	32
123907-11550	4	1
123907-11601	13	40
123907-11820	4	19
123907-11830	4	18
123907-39500	9	16
123907-59540	14	14
123907-59550	14	15
	18	18
123907-59560	14	19
124160-01751	2	33
	4	47
124160-11340	4	14
	18	5
124160-11360	4	61
124465-44950	10	33
	18	14
124722-59050	14	17
124766-59050	14	5
		9
129004-55612	14	1
129005-59830	9	18
129008-51920	11	12
129008-61301	12	26
129100-01580	2	4
	3	1
129150-02450	7	4

Parts No.	Fig. No.	Ref. No.
129150-11230	4	35
		39
129150-11750	4	17
		36
		40
129150-14200	7	1
129150-25920	7	16
129150-49360	10	43
129150-59131	13	45
		49
129242-55730	14	25
129242-55740	14	26
129242-55750	14	27
129242-55760	14	28
129242-55770	14	29
129245-55711	14	23
129245-55720	14	24
129263-77941	11	126
129400-92440	18	30
129457-59010	14	4
129486-59551	14	16
129509-51390	11	25
129550-59120	13	46
129612-52100	14	22
129657-51590	11	62
129657-51600	11	63
129900-01200	1	27
129900-01250	1	4
129900-01850	2	37
129900-01870	2	38
129900-02020	1	6
129900-02341	1	33
129900-02410	1	9
129900-02931	1	24
129900-02941	1	36
129900-13251	6	2
	18	10
129900-14100	7	6
129900-21200	8	3
129900-21600	8	14
129900-23001	8	25
129900-23200	8	28
129900-23601	8	29
129900-23611	8	32
129900-23911	8	31
129900-25100	7	10
129900-32001	2	8
129900-32030	2	20
	9	5
	18	11

Parts No.	Fig. No.	Ref. No.
129900-32040	2	21
	18	12
129900-42002	10	1
129900-42020	10	10
	18	13
129900-49870	10	27
	18	17
129902-21000	8	1
129906-01350	1	28
	18	2
129906-22050	8	17
129906-22090	8	15
129906-22910	8	34
129906-34851	9	2
129906-51580	11	60
129906-53000	13	2
129907-03011	4	49
129907-03061	4	50
129907-03070	4	51
129907-07900	4	64
129907-11100	4	9
129907-11110	4	10
129907-11120	4	11
129907-11250	4	29
129907-11260	4	30
129907-11270	4	31
129907-11321	4	48
129907-11341	4	28
129907-11510	4	15
129907-11650	4	33
129907-11660	4	37
129907-11700	4	2
129907-11800	4	66
129907-11910	4	24
129907-11920	4	41
129907-11950	4	25
129907-12100	5	1
129907-12110	5	2
	18	8
129907-13201	6	1
129907-13500	6	8
129907-14400	7	2
129907-25900	7	15
129907-51560	11	57
129907-55801	14	2
129907-59140	14	13
129907-59710	13	50
129907-59810	13	52
129907-59820	13	53
129907-59830	13	54

## Parts No. Index

Parts No.	Fig. No.	Ref. No.
129907-59840	13	55
129908-14581	7	3
129908-77210	16	1
129908-77220	16	2
129908-77360	16	3
129916-01710	3	7
129916-01790	3	6
129916-01800	2	3
129916-21610	8	7
129916-21620	8	8
129916-22950	8	36
129916-42410	10	13
129916-49530	10	19
129916-77300	16	5
129927-39060	9	14
129927-42140	2	21 A
129927-44900	10	18
129927-51250	11	140
129927-51650	11	124
129927-51660	11	125
129927-51670	11	128
129927-75900	17	19
129927-77600	17	11
		20
129927-77680	17	12
		21
129927-77690	16	8
129928-51900	11	11
129930-13201	6	7
		11
		18
		9
129932-49800	10	17
129932-75020	17	1
129932-92760	18	1
129933-11310	4	57
		18
		3
129940-77011	15	1
129940-77100	15	2
129940-77130	15	5
129940-77140	15	6
129940-77150	15	7
129940-77160	15	8
129940-77171	15	9
129940-77181	15	10
129940-77190	15	11
129940-77200	15	12
129940-77210	15	13
129940-77221	15	14
129940-77230	15	15
129940-77240	15	16

Parts No.	Fig. No.	Ref. No.
129940-77250	15	17
129940-77260	15	18
129940-77270	15	19
129940-77280	15	20
129944-01500	2	7
129950-59221	14	10
129951-01740	2	5
129953-21560	8	12
129953-25300	7	14
129953-35000	9	6
129957-59120	14	6
129960-21640	8	9
129973-55900	14	32
129980-59510	14	11
129981-01600	3	2
129981-59010	14	8
144626-51090	11	13
158552-51571	11	58
158552-51580	11	61
158552-51670	11	129
158552-51781	11	100
158552-52100	11	131
158552-52311	11	109
158552-52400	11	110
158552-52500	11	132
158553-51670	11	66
158553-51680	11	78
158553-51930	11	103
		12
		2
158553-61780	12	27
158557-51570	11	59
158557-61720	12	16
158563-51150	11	16
158563-51281	11	23
		24
158563-51330	11	34
158600-51270	11	22
158601-51550	11	56
158601-51650	11	127
158601-51770	11	99
158601-51790	11	101
171031-11741	2	35
171051-01921	1	5
171056-49120	10	31
22190-080002	9	19
		21
		23
		20
		18
		21
22190-120002	10	24

Parts No.	Fig. No.	Ref. No.
22190-120002	11	104
		111
		134
		12
		28
		18
		22
22190-180002	11	105
22190-220002	3	10
		18
		23
22217-050000	11	135
22217-180000	11	112
22252-000300	8	24
22312-050140	11	113
22351-050010	11	114
22351-060012	1	10
22512-070140	7	7
		8
		6
22857-500100	4	59
		60
22877-500080	17	14
		23
		9
		12
23414-080000	10	28
		18
		24
		9
		20
23857-030000	10	25
23875-030000	10	25
23876-020000	4	6
23876-030000	1	11
		12
		13
		4
		7
24311-000070	2	22
		11
		115
		18
		25
24311-000120	4	26
		62
		18
		26
24311-000160	14	30
24311-000320	2	34
		36
		4
		63
		18
		27
24321-000750	14	31
24341-000480	12	22
24341-000530	8	10
		18
		28
24351-030750	2	23
		18
		29
24356-190200	11	69
		116
24356-240210	11	117
24372-000150	11	70

Parts No.	Fig. No.	Ref. No.
25153-004400	10	14
26014-080252	16	7
26106-060102	11	118
26106-060122	11	136
26106-060162	12	23
		13
		56
26106-060202	10	26
26106-060252	12	29
26106-060302	10	11
26106-060352	11	119
26106-080122	3	11
		9
		11
		22
		24
		29
26106-080162	2	24
		39
		4
		65
		7
		8
		9
		12
26106-080182	13	57
26106-080202	2	25
		26
		11
26106-080252	6	9
		12
		24
		16
		9
26106-080302	11	142
		14
		3
26106-080402	2	27
		4
		43
		5
		9
26106-080452	2	28
		29
26106-080552	5	3
		7
		13
		10
		12
26106-080602	4	44
		45
		10
		30
26106-080702	2	30
26106-080752	2	31
26106-080802	10	16
26106-080852	5	4
26106-080902	5	10
26106-120252	15	31
26206-100352	3	4
26206-100702	3	5
26216-100302	2	19
26226-080222	4	42

Parts No. Index

Parts No.	Fig. No.	Ref. No.
26306-080002	4	46
	6	6
		10
26306-100002	2	32
	16	4
26450-100452	11	120
26716-050002	11	137
26776-180002	11	121
27241-160000	11	138
27241-300000	1	14
27241-400000	4	8
27310-070001	4	20
729900-02801	1	30
729906-01561	1	1
729906-53100	13	1
729907-01559	2	1
729932-51450	11	1
977770-1207F	18	31
X2240610100	15	23

Parts No.	Fig. No.	Ref. No.
-----------	----------	----------

Parts No.	Fig. No.	Ref. No.
-----------	----------	----------

Parts No.	Fig. No.	Ref. No.
-----------	----------	----------