

0CV10-M97900EN

# PREFACE

1. This Parts Catalog carries all parts incorporated in YANMAR Model 4TNV88-XWA engine manufactured since June, 2004.
2. Each illustration corresponds to the parts list on the following page.
3. When ordering parts, clearly write down engine model and serial number, as well as the name and number of each part in your order sheet. This will help insure reliable delivery of the parts you have ordered.

## Directions for the Parts Catalog.

1. The parts stipulated in this Parts Catalog are not necessarily standard equipped parts.
2. Parts may change without prior notice.
3. The following is an example of the Parts Catalog format.

REF.	LEV.	PARTS NO.	DESCRIPTION	Q'TY						I	R
				(A)	(B)	(C)	(D)	(E)	(F)		
1	1	729595-51390	FUEL INJECTION PUMP	1	1	1	1	1			1
1-1	1	729595-51391	FUEL INJECTION PUMP	1	1	1	1	1		N	1
		(A=E00185) (B=E00200)									
3	2	26022-060162	SCREW M 6X 16	9	9	9	9	9			
3-1	2	26022-060162	SCREW M 6X 16	4	4	4	4	4		K	
		(A=E00156) (B=E00156) (C=E00156) (D=E00156) (E=E00156)									
4	2	129470-51040	CAMSHAFT	1	1	1	1	1			
5	2	122710-51050	BEARING, ROLLER	2	2	2	2	2			
6	2	129470-51060	RETAINER	1	1	1	1	1			

Remarks
(1) BOOST COMPEMSATOR TYPE. OPTIONAL PART, TO E00155,(4JH-DT, 4JH-DTZ

### ① Ref. No.

The Ref. No. listed may not be in accordance with the illustration Ref. No.

(Ex.) Illustration No.

List Ref No.

1 1 (Before change) → 1-1 (After change)

For interchangeable symbols N, R and K, illustrations for new parts may be abbreviated.

### ② Lev. (Level)

Level indication

The numbers below indicate the level of relativity towards the main part.

1 ---- Main parts (Assembly parts)

2 ---- Sub component included in " 1 ".

3 ---- Sub component included in " 2 ".

Note) Parts that are not for sale are partially illustrated but not listed.

### ③ Interchangeability Mark

When a part change takes place, one of the following interchangeability symbols is indicated beside the part.

Symbol	Interchangeability	Contents note
N	Old $\begin{matrix} \leftarrow \text{Yes} \\ \text{No} \rightarrow \end{matrix}$ New	New Part is interchangeable for Old Part but Old Part is not interchangeable for New Part.
Q	Old $\begin{matrix} \leftarrow \text{No} \\ \text{Yes} \rightarrow \end{matrix}$ New	New Part is not interchangeable for Old Part but Old Part is interchangeable for New Part.
R	Old $\begin{matrix} \leftarrow \text{Yes} \\ \text{Yes} \rightarrow \end{matrix}$ New	New/ Old Parts are both interchangeable.
S	Old $\begin{matrix} \leftarrow \text{No} \\ \text{No} \rightarrow \end{matrix}$ New	New/ Old Parts are both not interchangeable.
W		Part newly added.
Z		Part discontinued.
F		Not interchangeable by a single part but interchangeable together with related parts.
K		Changes only for used parts quantities.

### ④ Effective Machine No.

When a part changes, the effective Machine No. will be indicated in the (A)-(F) column.

Product Symbol	Product No.	Product Symbol	Product No.
C	Clutch No. Compressor No.	F	Machine No. (Agricultural Equip.)
D	Drive No.	M	Machine No.
E	Engine No.		

Note 1) A date may follow the symbol. (Ex.) 1996.01

Note 2) "XXXXX" and "ZZZZZ" are for parts that could not be predicted or for engine models that could not be identified.

Note 3) (A=E00185) is the E (Engine Serial Number) for the column (A) model (in this case 4JH-DT) after the parts design change.

### ⑤ Remarks Mark

Figures or alphabets (symbols) are entered in the remarks column.

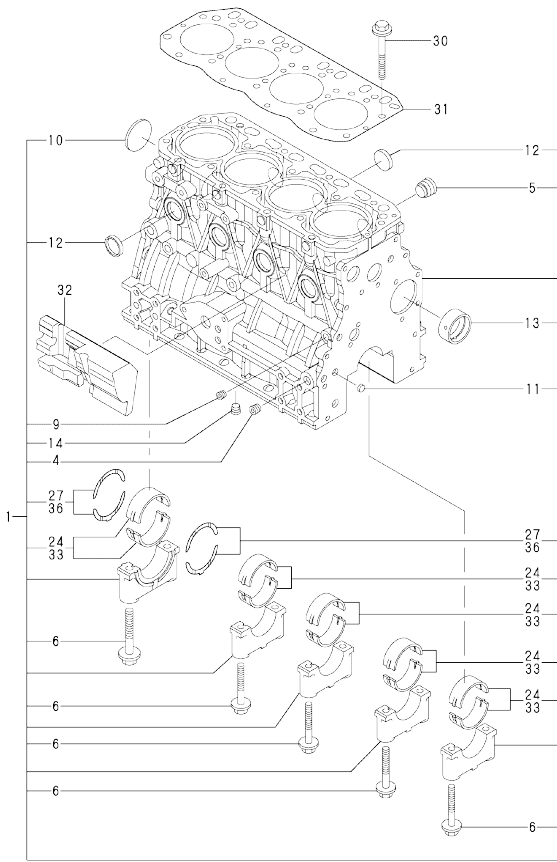
The comments (remarks) on parts that are indicated at the bottom of the illustration are the same symbols as those stated above.

## Contents

Fig. No.	Fig. Name	Fig. No.	Fig. Name
ENGINE SECTION (4TNV88-XWA)			
1.	CYLINDER BLOCK		
2.	GEAR HOUSING		
3.	FLYWHEEL HOUSING & OIL SUMP		
4.	CYLINDER HEAD & BONNET		
5.	SUCTION MANIFOLD		
6.	EXHAUST MANIFOLD		
7.	CAMSHAFT & DRIVING GEAR		
8.	CRANKSHAFT & PISTON		
9.	LUB.OIL SYSTEM		
10.	COOLING WATER SYSTEM		
11.	FUEL INJECTION PUMP		
12.	FUEL INJECTION VALVE		
13.	FUEL PIPE		
14.	STARTING MOTOR		
15.	GENERATOR		
16.	GASKET SET & TOOLS		

OCV10-M97900

Fig.1. CYLINDER BLOCK



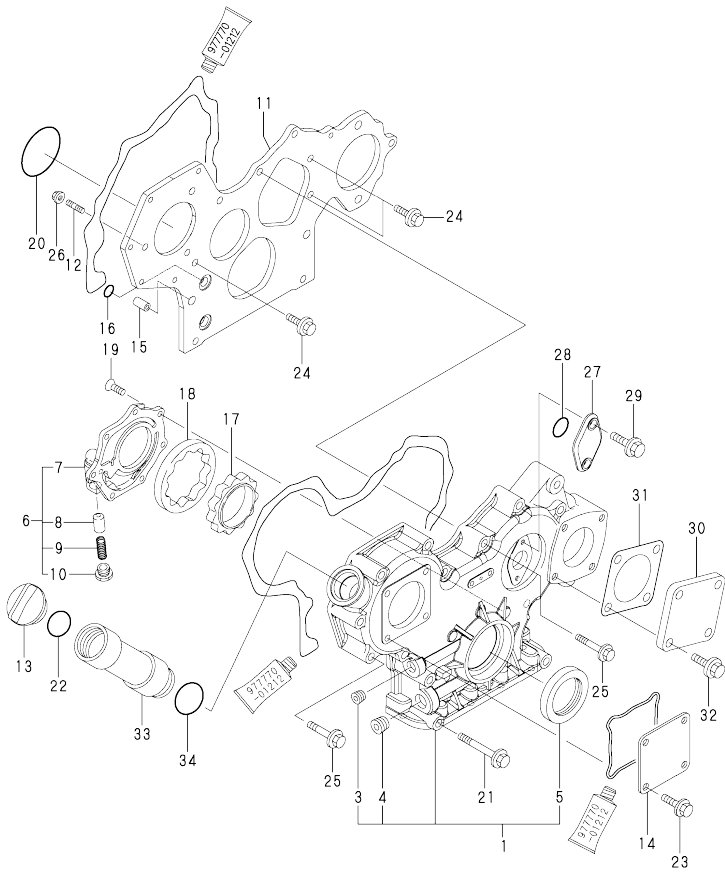
No.	Lev.	Parts No.	Description	Q'ty						I	R
				(A)	(B)	(C)	(D)	(E)	(F)		
1	1	729602-01560	BLOCK ASSY, CYLINDER	1							
4	3	124160-01910	PLUG, PT1/4	2							
5	3	171051-01921	PLUG, NPTF1	1							
6	3	129150-02020	BOLT, METAL CAP	10							
9	3	124060-01050	PLUG, PT1/8	1							
10	3	129001-01250	PLUG, 50	1							
11	3	27241-120000	PLUG, 12	2							
12	3	27241-300000	PLUG 30	8							
13	3	129795-02411	BUSH, CAMSHAFT	1							
14	3	124160-01910	PLUG, PT1/4	1							
24	2	129001-02930	BEARING, MAIN	5							3
27	2	129150-02930	BEARING, THRUST	2							
30	1	129150-01200	BOLT, HEAD	18							
31	1	129407-01340	GASKET, HEAD	1							
32	1	129004-01190	SPACER	1							
33	1	129150-02870	BEARING, 0.25 US	5							1
36	1	129150-02940	BEARING, THRUST 0.25	1							2

Remarks  
 (1) UNDER SIZED (U.S.=0.25) PART.  
 (2) OVER SIZED (O.S.=0.25) PART.  
 (3) REPAIR PART.

N:Old  $\frac{100}{100}$  New, Q:Old  $\frac{100}{100}$  New, R:Old  $\frac{100}{100}$  New, S:Old  $\frac{100}{100}$  New, W:Add, Z:Discontinued, F:Interchangeable by set, K:Qty Change  
 Copyright (C) YANMAR CO., LTD. All Rights Reserved.

OCV10-M97900

Fig.2. GEAR HOUSING

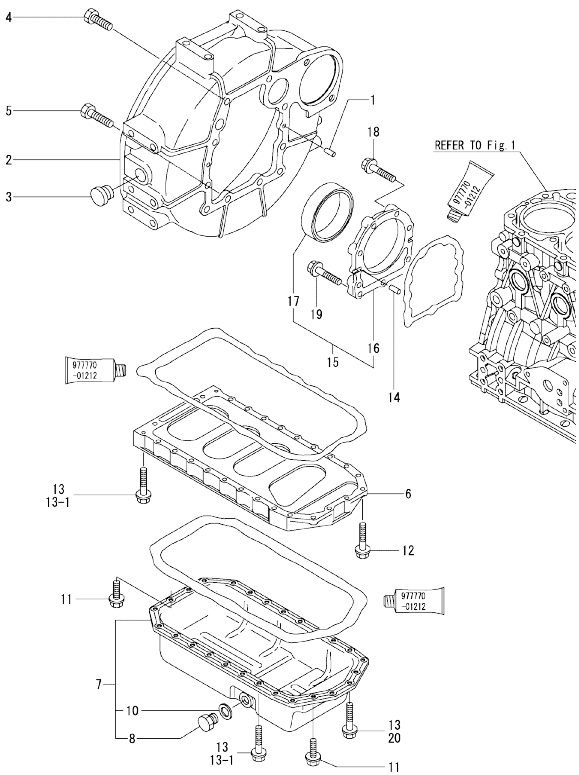


No.	Lev.	Parts No.	Description	Q'ty						I	R
				(A)	(B)	(C)	(D)	(E)	(F)		
1	1	729005-01500	CASE ASSY, GEAR	1							
3	3	23876-030000	PLUG, R03	1							
4	3	23876-040000	PLUG, R04	1							
5	2	129795-01800	SEAL, OIL	1							
6	1	119802-32100	COVER ASSY	1							
7	2	119802-32070	COVER	1							
8	2	129900-32130	VALVE, RELIEF	1							
9	2	129418-32320	SPRING	1							
10	2	129001-32330	PLUG	1							
11	1	129005-01520	FLANGE, GEAR CASE	1							
12	1	119802-01560	STUD, M8X25	3							
13	1	124160-01751	COVER, FILLER	1							
14	1	124240-01871	COVER	1							
15	1	129795-01950	PIPE, KNOCK L=18	2							
16	1	119609-32040	O-RING, P16	4							
17	1	119802-32111	ROTOR, INNER	1							
18	1	119802-32120	ROTOR, OUTER	1							
19	1	119802-32130	SCREW, M6X16	7							
20	1	121850-51960	O-RING	1							
21	1	129001-91841	BOLT, M8X85	3							
22	1	24311-000320	O-RING, 1AP32.0	1							
23	1	26106-080162	BOLT, M8X 16 PLATED	4							
24	1	26106-080162	BOLT, M8X 16 PLATED	3							
25	1	26106-080552	BOLT, M8X 55 PLATED	11							
26	1	26306-080002	NUT, M8	3							
27	1	121023-01550	COVER	1							
28	1	24341-000240	O-RING, 1AS24.0	1							
29	1	26106-060162	BOLT, M6X 16 PLATED	2							
30	1	124240-01871	COVER	1							
31	1	124240-01883	GASKET	1							
32	1	26106-080122	BOLT, M8X 12 PLATED	4							
33	1	171031-11741	PIPE	1							
34	1	24311-000320	O-RING, 1AP32.0	1							

N:Old  $\frac{100}{100}$  New, Q:Old  $\frac{100}{100}$  New, R:Old  $\frac{100}{100}$  New, S:Old  $\frac{100}{100}$  New, W:Add, Z:Discontinued, F:Interchangeable by set, K:Qty Change  
 Copyright (C) YANMAR CO., LTD. All Rights Reserved.

OCV10-M97900

Fig.3. FLYWHEEL HOUSING & OIL SUMP



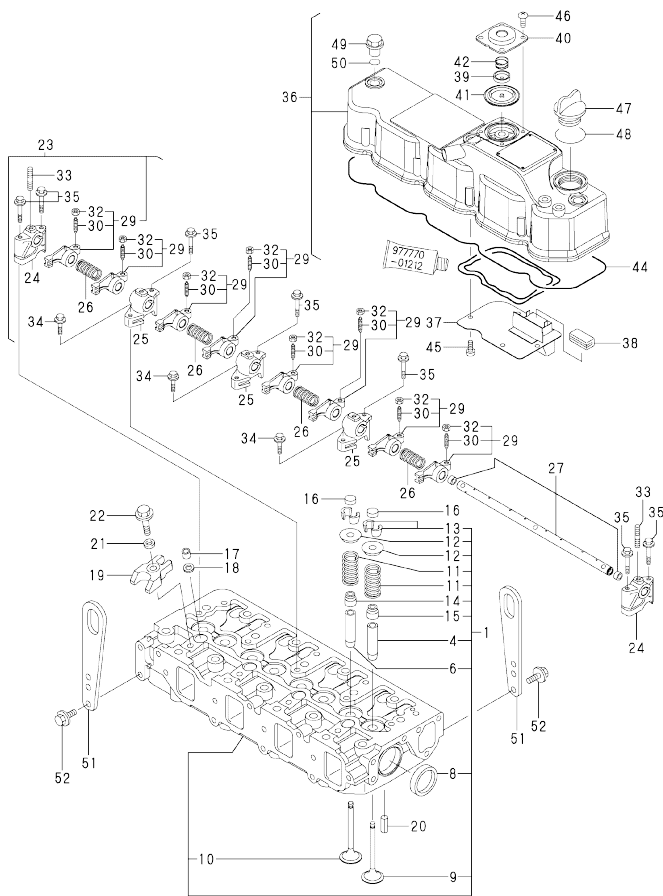
No.	Lev.	Parts No.	Description	Q'ty						I	R
				(A)	(B)	(C)	(D)	(E)	(F)		
1	1	129100-01580	PIN, M8X16	2							
2	1	129612-01600	HOUSING, FLYWHEEL	1							
3	1	119620-01750	CAP	1							
4	1	26206-100252	BOLT, M10X 25 PLATED	6							
5	1	26206-100302	BOLT, M10X 30 PLATED	4							
6	1	129400-01730	SPACER, OIL SUMP	1							
7	1	129400-01770	SUMP ASSY, OIL	1							
7-1	1	129688-01780	OIL PAN ASSY, DEEP	1						N	1
(A=REF. TO R)											
8	2	119640-01640	PLUG, DRAIN M22	1							
10	2	22190-220002	WASHER, SEAL 22	1							
11	1	26106-080162	BOLT, M8X 16 PLATED	4							
12	1	26106-080252	BOLT, M8X 25 PLATED	2							
13	1	26106-080452	BOLT, M8X 45 PLATED	24							
13-1	1	26106-080452	BOLT, M8X 45 PLATED	20							K
(A=FROM 1ST)											
14	1	129100-01580	PIN, M8X16	2							
15	1	129100-01640	CASE ASSY, OIL SEAL	1							
16	2	129150-01650	CASE, OIL SEAL	1							
17	2	129795-01780	SEAL, OIL	1							
18	1	129486-01670	BOLT, M8X30	6							
19	1	26106-080352	BOLT, M8X 35 PLATED	3							
20	1	26106-080502	BOLT, M8X 50 PLATED	4							W
(A=FROM 1ST)											

Remarks  
(1)For repair.

N:Old  $\frac{New}{Old}$  New, Q:Old  $\frac{New}{Old}$  New, R:Old  $\frac{New}{Old}$  New, S:Old  $\frac{New}{Old}$  New, W:Add, Z:Discontinued, F:Interchangeable by set, K:Q'ty Change  
Copyright (C) YANMAR CO., LTD. All Rights Reserved.

OCV10-M97900

Fig.4. CYLINDER HEAD & BONNET



No.	Lev.	Parts No.	Description	Q'ty						I	R
				(A)	(B)	(C)	(D)	(E)	(F)		
1	1	129602-11700	HEAD ASSY, CYLINDER	1							
4	3	120130-11860	GUIDE, VALVE	4							1
6	3	129150-11810	GUIDE, VALVE	4							1
8	3	27241-400000	PLUG, 40	2							
9	2	129005-11100	VALVE, INTAKE	4							
10	2	129100-11110	VALVE, EXHAUST	4							
11	2	129795-11120	SPRING, VALVE	8							
12	2	129795-11180	RETAINER, SPRING	8							
13	2	27310-080001	COTTER, 8	8							
14	2	121400-11340	SEAL, VALVE STEM	4							
15	2	124460-11340	SEAL, VALVE STEM	4							
16	1	129150-11370	CAP, VALVE	8							
17	1	119802-11870	PROTECTOR, NOZZLE	4							
18	1	119625-11880	SEAT, NOZZLE	4							
19	1	129004-11900	RETAINER, NOZZLE	4							
20	1	22351-060012	PIN, SPRING 6.0X12	2							
21	1	120270-54410	WASHER, INJECTOR	4							
22	1	26106-080352	BOLT, M8X 35 PLATED	4							
23	1	129601-11241	SHAFT ASSY, ROCKER	1							
24	2	119802-11260	SUPPORT, ROCKER ARM	2							
25	2	119802-11270	SUPPORT, ROCKER ARM	3							
26	2	129150-11280	SPRING	4							
27	2	129601-11251	SHAFT, ROCKER ARM	1							
29	2	129004-11650	ARM, ROCKER	8							
30	3	129150-11230	SCREW, VALVE ADJUST	8							
32	3	129150-11750	NUT, M8	8							
33	2	26226-080182	STUD, M8X 18	3							
34	1	26106-080252	BOLT, M8X 25 PLATED	3							
35	1	26106-080502	BOLT, M8X 50 PLATED	7							
36	1	129601-11350	BONNET ASSY, HEAD	1							
37	2	129004-03010	PLATE	1							
38	2	129150-03070	BAFFLE, BREATHER	1							
39	2	119802-03110	PLATE	1							
40	2	119802-03121	COVER, DIAPHRAGM	1							
41	2	119802-03130	DIAPHRAGM	1							
42	2	119802-03141	SPRING, DIAPHRAGM	1							
44	2	129601-11310	GASKET, BONNET	1							
45	2	22857-500100	SCREW, 5X10	4							
46	2	22857-500100	SCREW, 5X10	4							
47	1	124160-01751	COVER, FILLER	1							
48	1	24311-000320	O-RING, 1AP32.0	1							
49	1	124160-11360	KNOB	3							
50	1	24311-000120	O-RING, 1AP12.0	3							
51	1	129900-07900	LIFTER	2							
52	1	26106-080142	BOLT, M8X 14 PLATED	4							

Remarks

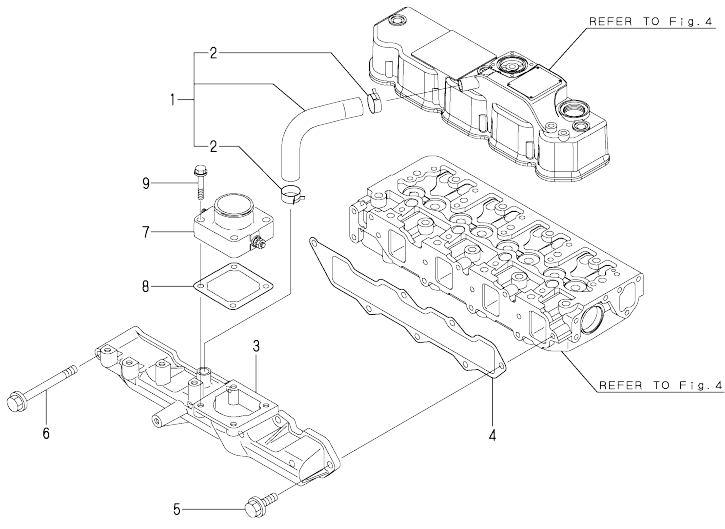
(1)REPAIR PART.

N:Old  $\frac{100}{100}$  New, Q:Old  $\frac{100}{100}$  New, R:Old  $\frac{100}{100}$  New, S:Old  $\frac{100}{100}$  New, W:Add, Z:Discontinued, F:Interchangeable by set, K:Q'ty Change  
Copyright (C) YANMAR CO., LTD. All Rights Reserved.



OCV10-M97900

Fig.5. SUCTION MANIFOLD

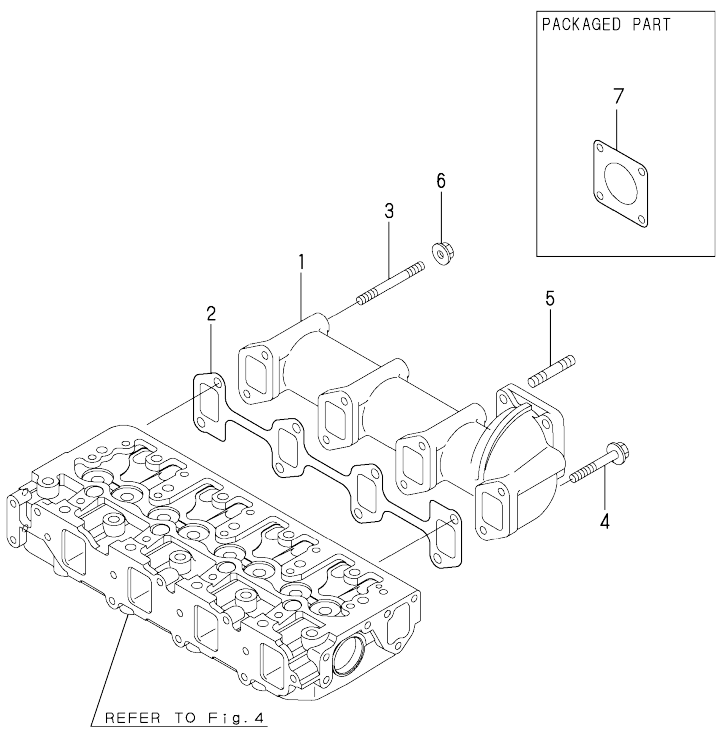


No.	Lev.	Parts No.	Description	Q'ty					
				(A)	(B)	(C)	(D)	(E)	(F)
1	1	129005-03080	PIPE , BREATHER	1					
2	2	129410-03990	CLAMP 22	2					
3	1	129602-12100	MANIFOLD, AIR INTAKE	1					
4	1	129407-12110	GASKET, MANIFOLD	1					
5	1	26106-080202	BOLT, M8X 20 PLATED	6					
6	1	26106-080802	BOLT, M8X 80 PLATED	1					
7	1	129120-77501	HEATER	1					
8	1	129150-77511	GASKET	1					
9	1	26106-080352	BOLT, M8X 35 PLATED	4					

N:Old  $\frac{Y05}{10}$  New, Q:Old  $\frac{H0}{100}$  New, R:Old  $\frac{Y05}{100}$  New, S:Old  $\frac{H0}{10}$  New, W:Add, Z:Discontinued, F:Interchangeable by set, K:Q'ty Change  
 Copyright (C) YANMAR CO., LTD. All Rights Reserved.

OCV10-M97900

Fig.6. EXHAUST MANIFOLD

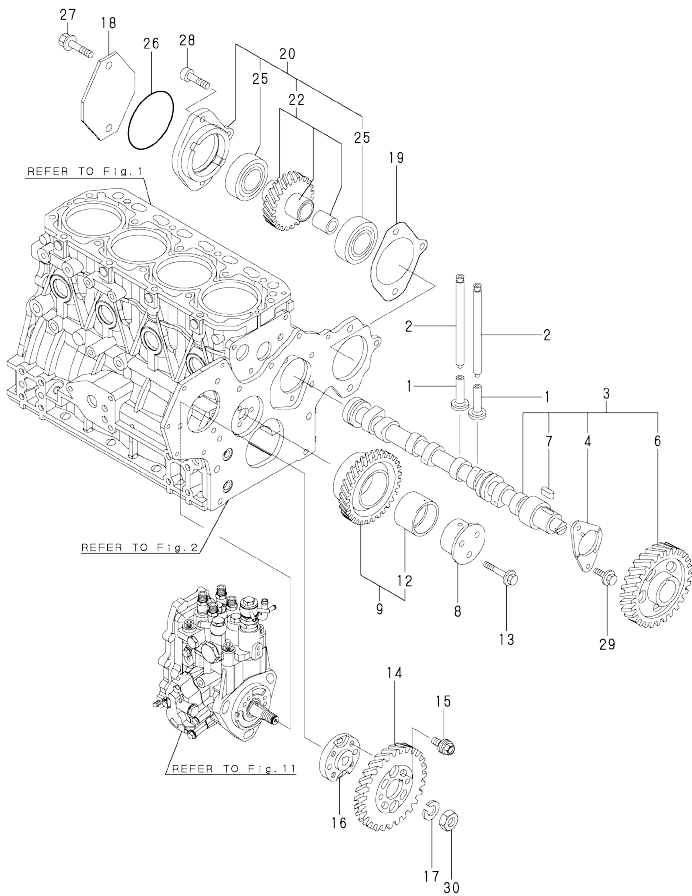


No.	Lev.	Parts No.	Description	Q'ty					
				(A)	(B)	(C)	(D)	(E)	(F)
1	1	129400-13101	MANIFOLD, EXHAUST	1					
2	1	129550-13110	GASKET	1					
3	1	123900-13610	STUD, M8X80	2					
4	1	123900-13630	BOLT, M8X80	6					
5	1	119131-18320	STUD, M8X22	4					
6	1	26306-080002	NUT, M8	2					
7	1	129400-13201	GASKET, SILENCER	1					

N:Old  $\frac{100}{100}$  New, Q:Old  $\frac{100}{100}$  New, R:Old  $\frac{100}{100}$  New, S:Old  $\frac{100}{100}$  New, W:Add, Z:Discontinued, F:Interchangeable by set, K:Qty Change  
 Copyright (C) YANMAR CO., LTD. All Rights Reserved.

OCV10-M97900

Fig.7. CAMSHAFT & DRIVING GEAR



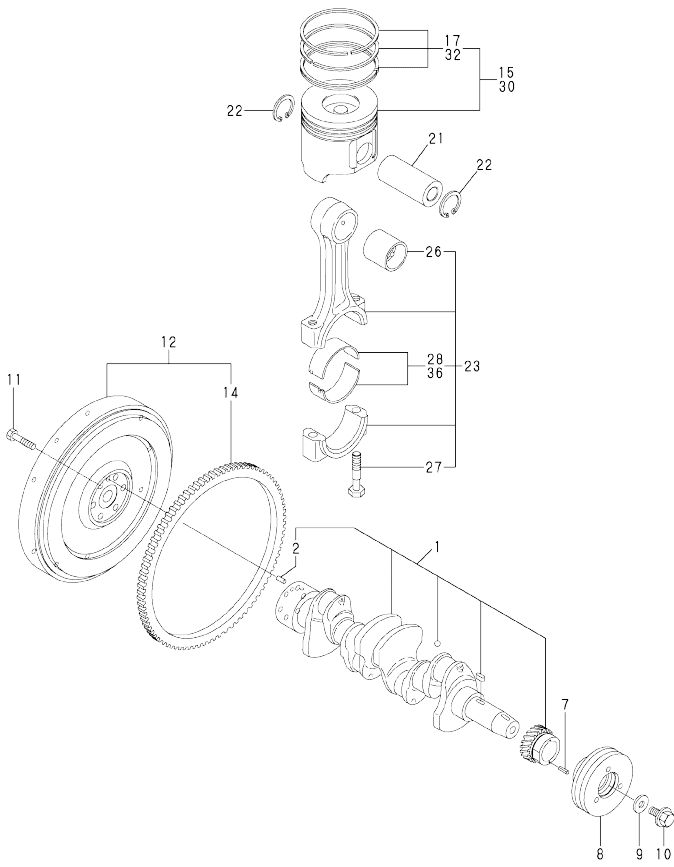
No.	Lev.	Parts No.	Description	Q'ty						I	R
				(A)	(B)	(C)	(D)	(E)	(F)		
1	1	129150-14200	TAPPET	8							
2	1	129150-14400	ROD, PUSH L=178	8							
3	1	729402-14580	CAMSHAFT ASSY	1							
4	2	129150-02450	BEARING, THRUST	1							
6	2	129150-14101	GEAR, CAMSHAFT	1							
7	2	22512-070140	KEY, 7X 14	1							
8	1	119802-25051	SHAFT, IDLE	1							
9	1	119802-25100	GEAR ASSY, IDLE	1							
12	2	119802-25070	BUSH, IDLE GEAR	1							1
13	1	26106-080402	BOLT, M8X 40 PLATED	3							
14	1	119802-25901	GEAR, PUMP	1							
15	1	129150-25301	BOLT	4							
16	1	158552-51151	FLANGE	1							
17	1	22217-140000	WASHER, SPRING 14	1							
18	1	121023-26070	COVER	1							
19	1	171353-26081	GASKET	1							
20	1	129484-26200	DRIVE ASSY, PUMP	1							
22	2	129484-26210	GEAR ASSY	1							
25	2	24105-060064	BEARING, BALL 6006Z	2							
26	1	24321-000850	O-RING, 1AG85.0	1							
27	1	26106-100452	BOLT, M10X 45 PLATED	2							
28	1	26450-080282	BOLT, M8X 28	1							
29	1	26106-080142	BOLT, M8X 14 PLATED	2							
30	1	26776-140002	NUT, LOCK M14	1							

Remarks  
(1)REPAIR PART.

N:Old  $\frac{YES}{NO}$  New, Q:Old  $\frac{HE}{VE}$  New, R:Old  $\frac{YES}{NO}$  New, S:Old  $\frac{NO}{YES}$  New, W:Add, Z:Discontinued, F:Interchangeable by set, K:Q'ty Change  
Copyright (C) YANMAR CO., LTD. All Rights Reserved.

OCV10-M97900

Fig.8. CRANKSHAFT & PISTON



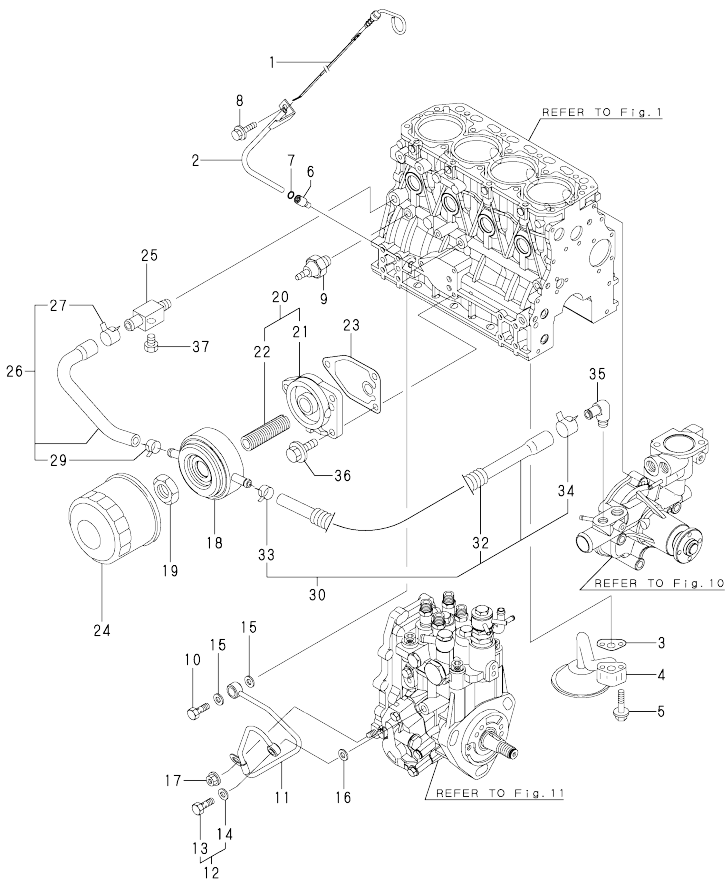
Remarks  
 (1)REPAIR PART.  
 (2)OVER SIZED(U.S.=0.25)PART.  
 (3)UNDER SIZED(U.S.=0.25)PART.

No.	Lev.	Parts No.	Description	Q'ty						I	R
				(A)	(B)	(C)	(D)	(E)	(F)		
1	1	129601-21002	CRANKSHAFT ASSY	1							
2	2	129100-01580	PIN, M8X16	1							
7	1	22351-030010	PIN, SPRING 3.0X10	1							
8	1	119802-21660	V-PULLEY, 120	1							
9	1	129795-21661	WASHER	1							
10	1	121850-21680	BOLT	1							
11	1	121111-21501	BOLT, FLYWHEEL	6							
12	1	171420-21580	FLYWHEEL ASSY	1							
14	2	119865-21600	GEAR, RING	1							
15	1	129005-22080	PISTON ASSY	4							
17	2	129005-22500	RING SET, PISTON	4							
21	1	129202-22300	PIN, PISTON D26 L70	4							
22	1	22252-000260	RING, 26	8							
23	1	729402-23100	ROD ASSY, CONNECTING	4							
26	2	129100-23910	BEARING, PISTON PIN	4							1
27	2	121550-23200	BOLT, CONNECTING ROD	8							
28	2	129150-23600	BEARING, CRANK PIN	4							
30	1	129005-22900	PISTON ASSY, 0.25 OS	4							2
32	2	129005-22950	RING SET, 0.25 OS	4							2
36	1	129150-23610	BEARING, 0.25 US	4							3

N:Old  $\frac{New}{Old}$  New, Q:Old  $\frac{New}{Old}$  New, R:Old  $\frac{New}{Old}$  New, S:Old  $\frac{New}{Old}$  New, W:Add, Z:Discontinued, F:Interchangeable by set, K:Qty Change  
 Copyright (C) YANMAR CO., LTD. All Rights Reserved.

OCV10-M97900

Fig.9. LUB.OIL SYSTEM

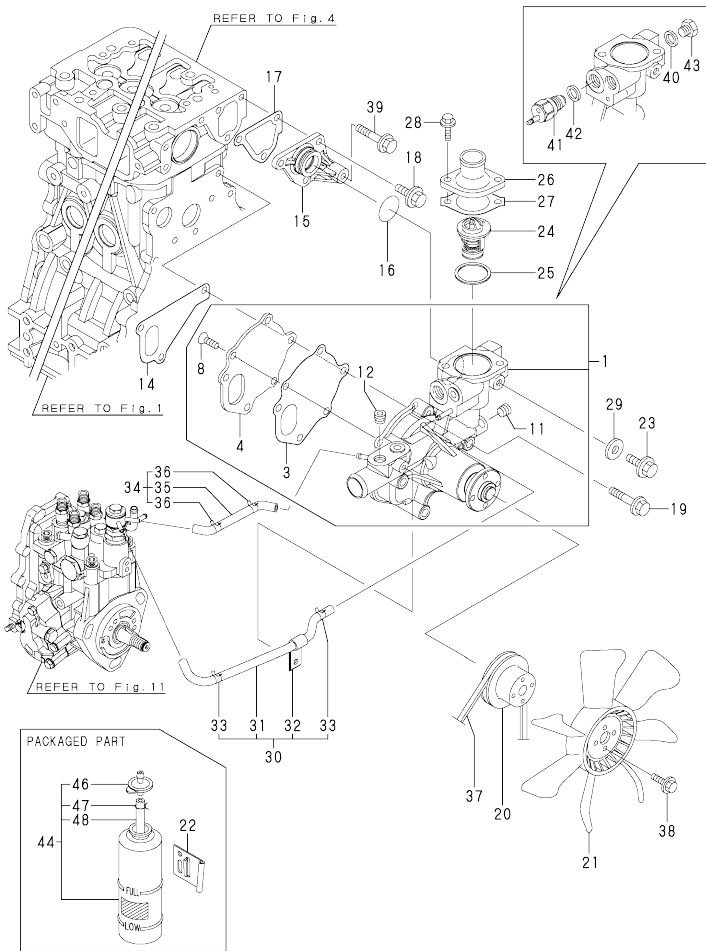


Remarks  
(1) REPAIR PART.

No.	Lev.	Parts No.	Description	Q'ty						I	R
				(A)	(B)	(C)	(D)	(E)	(F)		
1	1	129601-34801	DIPSTICK, OIL	1							
2	1	119802-34850	GUIDE, DIPSTICK	1							
3	1	129150-35041	GASKET	1							
4	1	129436-35091	PIPE ASSY, OIL INLET	1							
5	1	26106-080352	BOLT, M8X 35 PLATED	2							
6	1	119260-34810	GUIDE, DIPSTICK	1							
7	1	24311-240100	O-RING, 1AP10A	1							
8	1	26106-080162	BOLT, M8X 16 PLATED	1							
9	1	114250-39450	SWITCH, 0.5KG	1							
10	1	124160-39140	BOLT, PIPE JOINT M10	1							
11	1	119802-39450	PIPE ASSY, OIL	1							
12	1	129005-59830	BOLT ASSY, JOINT M8	1							
13	2	23857-030000	BOLT, JOINT 3	1							
14	2	22190-080002	WASHER, SEAL 6	1							
15	1	22190-100002	WASHER, SEAL 10	2							
16	1	22190-080002	WASHER, SEAL 6	1							
17	1	26366-060002	NUT, M6	1							
18	1	129508-33010	COOLER ASSY, OIL	1							
19	1	129417-33110	NUT	1							
20	1	129006-35100	BRACKET ASSY, FILTER	1							
21	2	119802-35110	BRACKET, FILTER	1							
22	2	129417-35150	STUD, L=67	1							
23	1	129150-35111	GASKET	1							
24	1	129150-35153	FILTER 80X80L	1							1
25	1	129006-44480	JOINT	1							
26	1	129508-49030	PIPE ASSY, WATER	1							
27	2	171008-03990	CLIP, HOSE 18.5	1							
29	2	23080-015000	CLAMP, 15	1							
30	1	129508-49040	PIPE ASSY, WATER	1							
32	2	119940-59130	TUBE, CORRUGATED	1							
33	2	23080-015000	CLAMP, 15	1							
34	2	23080-018000	CLAMP, 18	1							
35	1	129103-49301	ELBOW, PT1/4	1							
36	1	26106-080202	BOLT, M8X 20 PLATED	3							
37	1	171056-49120	PLUG, DRAIN	1							

N:Old  $\frac{100}{100}$  New, Q:Old  $\frac{100}{100}$  New, R:Old  $\frac{100}{100}$  New, S:Old  $\frac{100}{100}$  New, W:Add, Z:Discontinued, F:Interchangeable by set, K:Qty Change  
Copyright (C) YANMAR CO., LTD. All Rights Reserved.

Fig.10. COOLING WATER SYSTEM

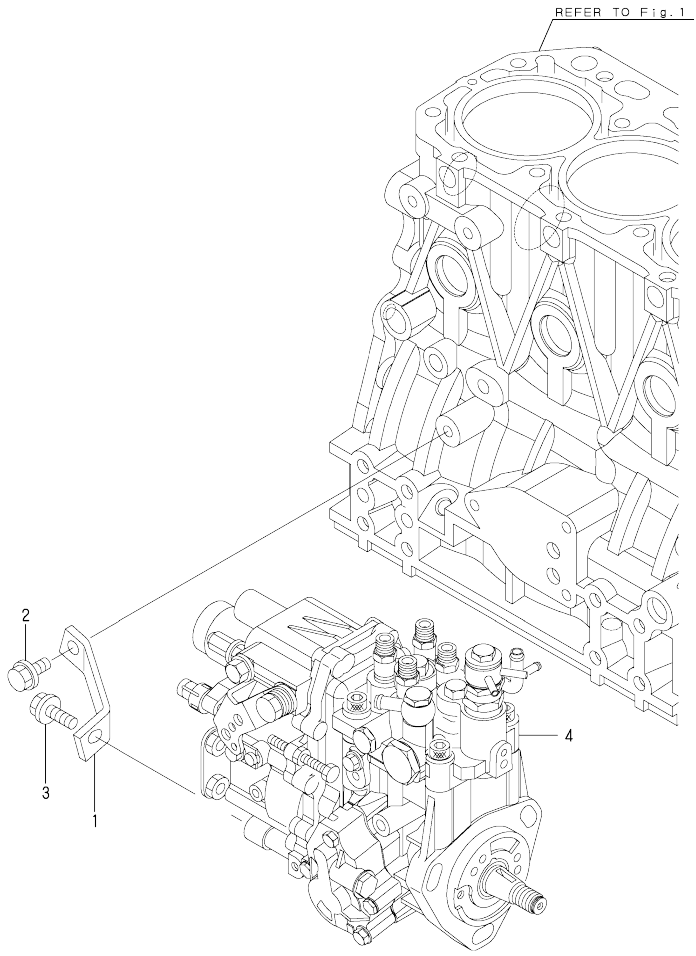


No.	Lev.	Parts No.	Description	Q'ty						I	R
				(A)	(B)	(C)	(D)	(E)	(F)		
1	1	129004-42001	PUMP ASSY, WATER	1							
3	2	129100-42051	GASKET, WATER PUMP	1							
4	2	129100-42121	PLATE	1							
8	2	121850-42410	SCREW	3							
11	2	23876-010000	PLUG, R01	1							
12	2	23876-020000	PLUG, R02	1							
14	1	129486-42021	GASKET, WATER PUMP	1							
15	1	129004-42040	JOINT	1							
16	1	129486-42140	O-RING, G30	1							
17	1	124395-49840	GASKET	1							
18	1	26106-080162	BOLT, M8X 16 PLATED	3							
19	1	26106-080602	BOLT, M8X 60 PLATED	3							
20	1	129403-42380	V-PULLEY, D=110	1							
21	1	129655-44740	FAN, COOLING D380	1							
22	1	121256-44600	BRACKET, SUB TANK	1							
23	1	26106-080122	BOLT, M8X 12 PLATED	1							
24	1	129155-49801	THERMOSTAT, 71	1							
25	1	129150-49811	GASKET, THERMOSTAT	1							
26	1	129350-49530	COVER, THERMOSTAT	1							
27	1	129795-49551	GASKET	1							
28	1	26106-080222	BOLT, M8X 22 PLATED	2							
29	1	23414-080000	GASKET, 8X1.0	1							
30	1	129004-49610	PIPE ASSY, WATER	1							
31	2	129004-49711	PIPE ASSY, WATER	1							
32	2	119802-49730	RETAINER, PIPE	1							
33	2	124722-59050	CLIP, HOSE 9	2							
34	1	129004-49620	PIPE ASSY, WATER	1							
35	2	129004-49721	PIPE ASSY, WATER	1							
36	2	124722-59050	CLIP, HOSE 9	2							
37	1	25132-003700	V-BELT, A37	1							
38	1	26106-060122	BOLT, M6X 12 PLATED	4							
39	1	26106-080452	BOLT, M8X 45 PLATED	1							
40	1	124465-44950	GASKET, 16	1							
41	1	121250-44901	SWITCH, 110	1							
42	1	124465-44950	GASKET, 16	1							
43	1	121450-42450	PLUG, M16	1							
44	1	124450-44510	TANK ASSY, SUB	1							
46	2	124450-44530	CAP	1							
47	2	124450-44560	RETAINER	1							
48	2	23061-070230	PIPE, 7X 230	1							

N:Old  $\frac{100}{100}$  New, Q:Old  $\frac{100}{100}$  New, R:Old  $\frac{100}{100}$  New, S:Old  $\frac{100}{100}$  New, W:Add, Z:Discontinued, F:Interchangeable by set, K:Q'ty Change  
 Copyright (C) YANMAR CO., LTD. All Rights Reserved.

OCV10-M97900

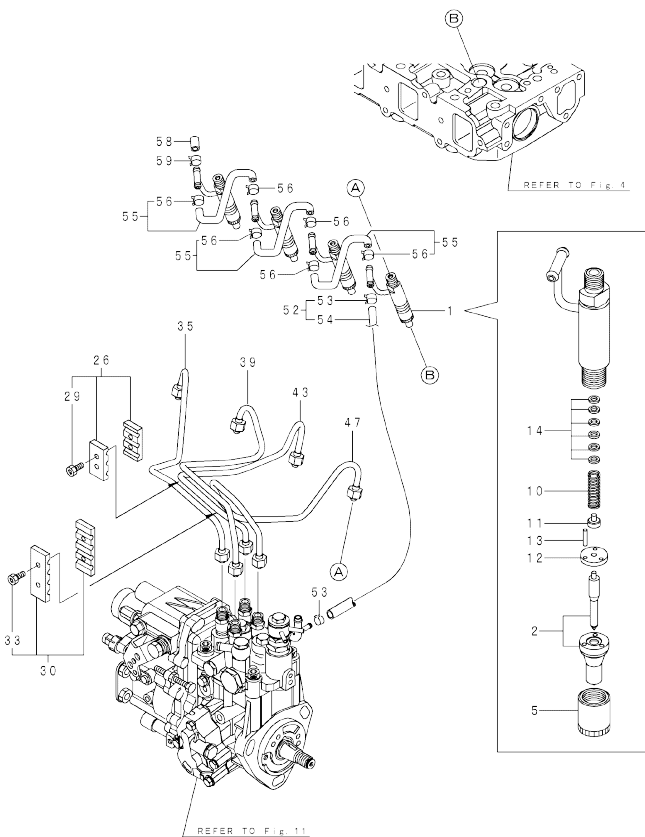
Fig.11. FUEL INJECTION PUMP



No.	Lev.	Parts No.	Description	Q'ty					
				(A)	(B)	(C)	(D)	(E)	(F)
1	1	129601-51250	RETAINER, PUMP	1					
2	1	26106-080162	BOLT, M8X 16 PLATED	1					
3	1	26106-080202	BOLT, M8X 20 PLATED	1					
4	1	729645-51350	PUMP ASSY, INJECTION	1					

N:Old  $\frac{New}{Old}$  New, Q:Old  $\frac{New}{Old}$  New, R:Old  $\frac{New}{Old}$  New, S:Old  $\frac{New}{Old}$  New, W:Add, Z:Discontinued, F:Interchangeable by set, K:Q'ty Change  
 Copyright (C) YANMAR CO., LTD. All Rights Reserved.

Fig.12. FUEL INJECTION VALVE



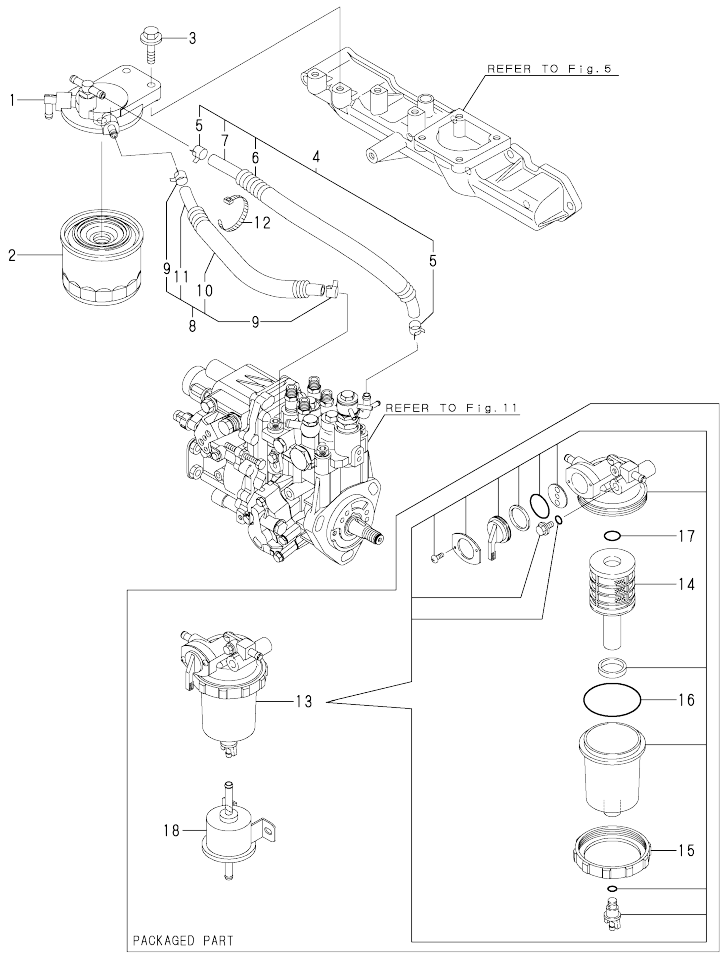
No.	Lev.	Parts No.	Description	Q'ty					
				(A)	(B)	(C)	(D)	(E)	(F)
1	1	729645-53100	VALVE ASSY,INJECTION	4					
2	2	129602-53001	VALVE ASSY,INJECTION	4					
5	2	114250-53080	NUT, NOZZLE D16.95	4					
10	2	114250-53120	SPRING, NOZZLE	4					
11	2	114250-53130	SEAT, SPRING	4					
12	2	114250-53140	PLATE	4					
13	2	114250-53210	PIN	8					
14	2	114250-53400	SHIM SET	4					
26	1	129150-59120	RETAINER, PIPE	1					
29	2	129150-59131	BOLT, M4X14	2					
30	1	129550-59120	RETAINER, PIPE	1					
33	2	129150-59131	BOLT, M4X14	2					
35	1	129601-59810	PIPE ASSY, INJECTION	1					
39	1	129601-59820	PIPE ASSY, INJECTION	1					
43	1	129601-59830	PIPE ASSY, INJECTION	1					
47	1	129601-59840	PIPE ASSY, INJECTION	1					
52	1	119802-59550	PIPE ASSY, RETURN	1					
53	2	124722-59050	CLIP, HOSE 9	2					
54	2	119802-59560	PIPE, FUEL RETURN	1					
55	1	129486-59551	PIPE ASSY, RETURN	3					
56	2	124722-59050	CLIP, HOSE 9	6					
58	1	119593-59580	CAP	1					
59	1	124060-77680	CLIP, HOSE 10	1					

N:Old  $\frac{New}{Old}$  New, Q:Old  $\frac{New}{Old}$  New, R:Old  $\frac{New}{Old}$  New, S:Old  $\frac{New}{Old}$  New, W:Add, Z:Discontinued, F:Interchangeable by set, K:Q'ty Change  
 Copyright (C) YANMAR CO., LTD. All Rights Reserved.



OCV10-M97900

Fig.13. FUEL PIPE

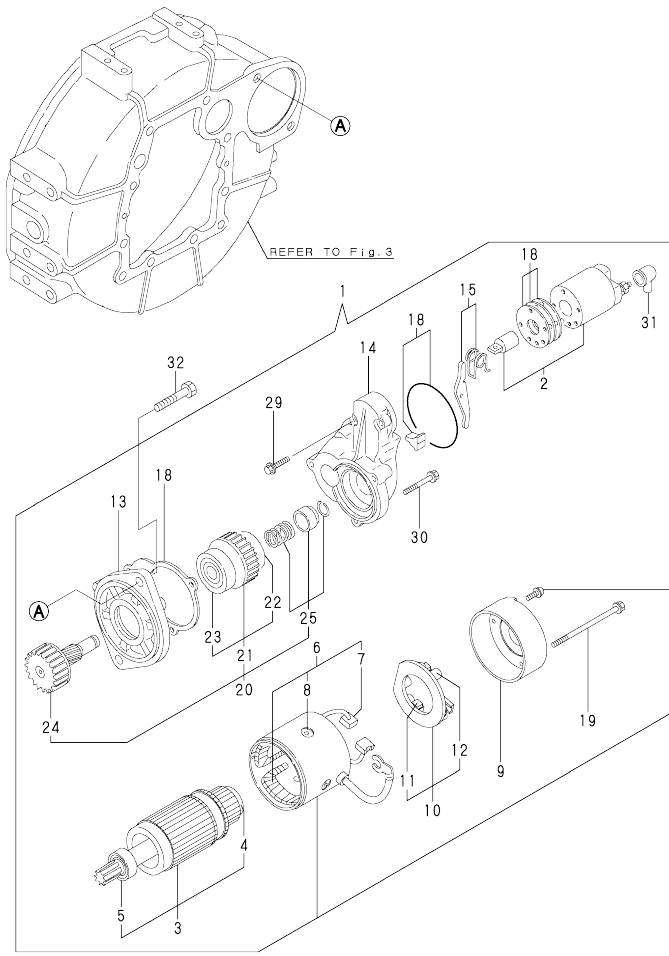


No.	Lev.	Parts No.	Description	Q'ty					
				(A)	(B)	(C)	(D)	(E)	(F)
1	1	129004-55610	BRACKET, FILTER	1					
2	1	119802-55800	FILTER, FUEL	1					
3	1	26106-080302	BOLT, M8X 30 PLATED	2					
4	1	129950-59311	PIPE, FUEL	1					
5	2	124766-59050	CLIP, HOSE 12	2					
6	2	129961-59110	TUBE, CORRUGATED	1					
7	2	105025-59580	PIPE, FUEL	1					
8	1	129956-59010	PIPE ASSY, FUEL	1					
9	2	124766-59050	CLIP, HOSE 12	2					
10	2	129957-59101	TUBE, CORRUGATED	1					
11	2	105225-59511	PIPE, FUEL	1					
12	1	121750-59890	BAND, 140	1					
13	1	119802-55700	SEPARATOR ASSY	1					
14	2	119802-55710	ELEMENT	1					
15	2	129100-55690	RING, RETAINING	1					
16	2	24321-000650	O-RING, 1AG65.0	1					
17	2	24311-000160	O-RING, 1AP16.0	1					
18	1	119225-52102	PUMP ASSY, FUEL FEED	1					

N:Old  $\frac{100}{100}$  New, Q:Old  $\frac{100}{100}$  New, R:Old  $\frac{100}{100}$  New, S:Old  $\frac{100}{100}$  New, W:Add, Z:Discontinued, F:Interchangeable by set, K:Q'ty Change  
 Copyright (C) YANMAR CO., LTD. All Rights Reserved.

OCV10-M97900

Fig.14. STARTING MOTOR

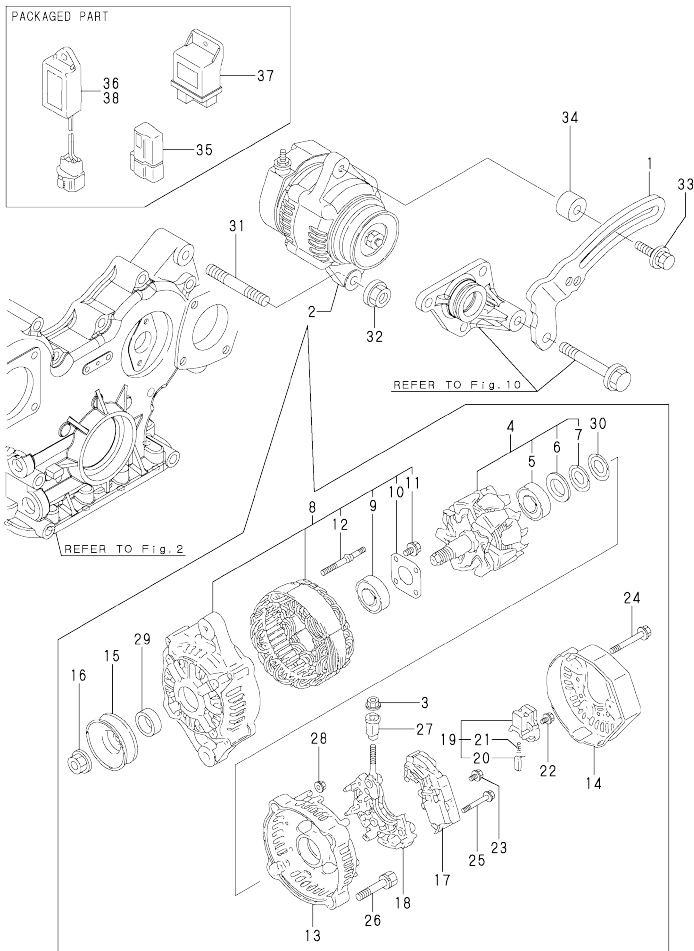


No.	Lev.	Parts No.	Description	Q'ty						I	R
				(A)	(B)	(C)	(D)	(E)	(F)		
1	1	129136-77011	STARTER	1							
2	2	129136-77310	SWITCH ASSY	1							
3	2	129900-77400	ARMATURE ASSY	1							
4	3	X2130350900	BALL BEARING	1							
5	3	X2114255110	BEARING, BALL	1							
6	2	129900-77440	COIL ASSY, FIELD	1							
7	3	129900-77450	BRUSH (+)	2							
8	3	171008-77450	SCREW	4							
9	2	129900-77460	COVER, REAR	1							
10	2	129900-77480	HOLDER ASSY, BRASH	1							
11	3	129900-77500	BRASH (-)	2							
12	3	129400-77490	SPRING, BRUSH	4							
13	2	171008-77510	HOUSING ASSY, GEAR	1							
14	2	129136-77520	CENTER HOUSING	1							
15	2	171008-77540	LEVER SET, SHIFT	1							
18	2	129400-77571	COVER KIT, DUST	1							
19	2	129900-77640	BOLT, THROUGH	2							
20	2	171008-77650	PINION ASSY	1							
21	3	X2114555500	CLUTCH ASSY	1							
22	4	X2114955020	BALL BEARING	1							
23	4	X2240410100	BEARING, BALL	1							
24	3	171008-77660	SHAFT, PINION	1							
25	3	171008-77670	STOPPER SET, PINION	1							
29	2	26106-060322	BOLT, M6X 32 PLATED	2							
30	2	26106-060402	BOLT, M6X 40 PLATED	3							
31	2	171008-77750	COVER, M TERMINAL	1							
32	1	26116-120252	BOLT, M12X 25 PLATED	2							

N:Old  $\frac{New}{Old}$  New, Q:Old  $\frac{New}{Old}$  New, R:Old  $\frac{New}{Old}$  New, S:Old  $\frac{New}{Old}$  New, W:Add, Z:Discontinued, F:Interchangeable by set, K:Q'ty Change  
 Copyright (C) YANMAR CO., LTD. All Rights Reserved.

OCV10-M97900

Fig.15. GENERATOR

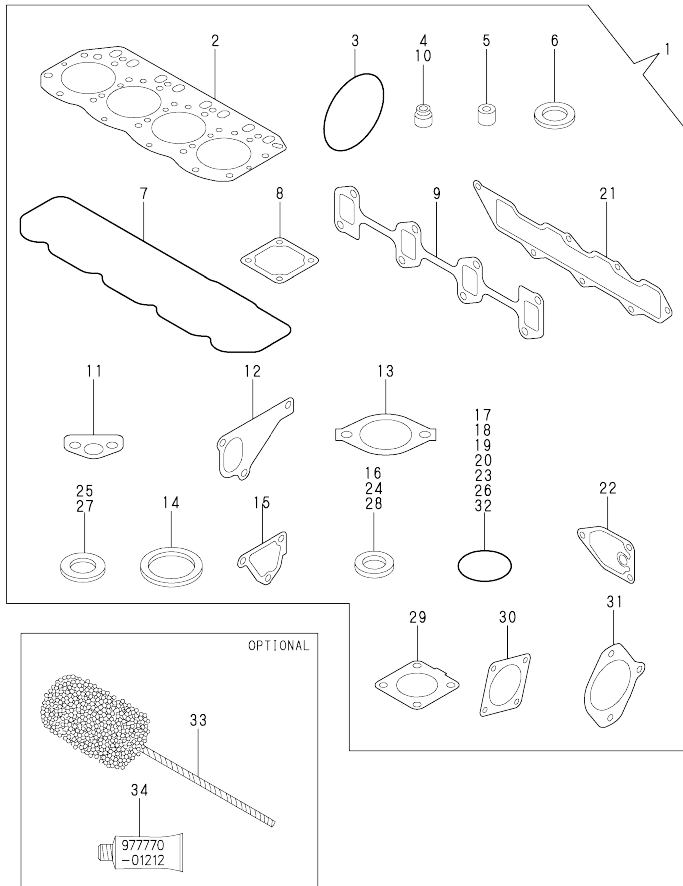


No.	Lev.	Parts No.	Description	Qty						I	R
				(A)	(B)	(C)	(D)	(E)	(F)		
1	1	129064-77330	ADJUSTER	1							
2	1	129423-77200	GENERATOR, 12V-40A	1							
3	2	X9490561001	NUT	1							
4	2	119620-77380	ROTOR ASSY	1							
5	3	119620-79240	BALL BEARING	1							
6	3	119620-79250	COVER, BEARING	1							
7	3	119620-79360	WASHER, THRUST	1							
8	2	119620-77421	FRAME ASSY, DRIVE	1							
9	3	119620-79200	BALL BEARING	1							
10	3	119620-79210	PLATE	1							
11	3	119620-79220	SCREW	4							
12	3	119620-79230	BOLT, STUD	2							
13	2	119620-77440	FLAME ASSY, REAR	1							
14	2	129240-79300	COVER	1							
15	2	119620-77461	PULLEY	1							
16	2	119620-77471	NUT	1							
17	2	129423-77710	REGULATOR ASSY	1							
18	2	119620-79260	HOLDER	1							
19	2	119620-79270	HOLDER, BRUSH	1							
20	3	119620-77480	BRUSH ASSY	2							
21	3	119620-79280	SPRING	2							
22	2	119620-79290	SCREW	1							
23	2	119620-79300	SCREW	1							
24	2	119620-79310	BOLT	3							
25	2	119620-79320	SCREW W/WASHER	2							
26	2	119620-79330	BOLT	2							
27	2	119620-79340	INSULATION BUSH	1							
28	2	119620-79350	NUT	2							
29	2	119620-77490	COLLAR	1							
30	2	119620-79360	WASHER, THRUST	1							
31	1	129795-01900	STUD	1							
32	1	26306-100002	NUT, M10	1							
33	1	26014-080452	BOLT, M8X 45	1							
34	1	129067-77340	SPACER	1							
35	1	119643-66900	DIODE	1							
36	1	129211-77920	TIMER	1							
37	1	119802-77200	RELAY, SAFETY	1							
38	1	128300-77920	TIMER	1							

N:Old  $\frac{100}{100}$  New, Q:Old  $\frac{100}{100}$  New, R:Old  $\frac{100}{100}$  New, S:Old  $\frac{100}{100}$  New, W:Add, Z:Discontinued, F:Interchangeable by set, K:Qty Change  
 Copyright (C) YANMAR CO., LTD. All Rights Reserved.

OCV10-M97900

Fig.16. GASKET SET & TOOLS



No.	Lev.	Parts No.	Description	Q'ty						I	R
				(A)	(B)	(C)	(D)	(E)	(F)		
1	1	729618-92890	GASKET SET	1							1
2	2	129407-01340	GASKET, HEAD	1							
3	2	121850-51960	O-RING	1							
4	2	124460-11340	SEAL, VALVE STEM	4							
5	2	119802-11870	PROTECTOR, NOZZLE	4							
6	2	119625-11880	SEAT, NOZZLE	4							
7	2	129601-11310	GASKET, BONNET	1							
8	2	129150-77511	GASKET	1							
9	2	129550-13110	GASKET	1							
10	2	121400-11340	SEAL, VALVE STEM	4							
11	2	129150-35041	GASKET	1							
12	2	129486-42021	GASKET, WATER PUMP	1							
13	2	129795-49551	GASKET	1							
14	2	129150-49811	GASKET, THERMOSTAT	1							
15	2	124395-49840	GASKET	1							
16	2	22190-080002	WASHER, SEAL 6		2						
17	2	24311-000120	O-RING, 1AP12.0		3						
18	2	24311-000320	O-RING, 1AP32.0		3						
19	2	24341-000240	O-RING, 1AS24.0		1						
20	2	129486-42140	O-RING, G30		1						
21	2	129407-12110	GASKET, MANIFOLD		1						
22	2	129150-35111	GASKET		1						
23	2	119609-32040	O-RING, P16		4						
24	2	22190-100002	WASHER, SEAL 10		2						
25	2	23414-080000	GASKET, 8X1.0		1						
26	2	24311-240100	O-RING, 1AP10A		1						
27	2	124465-44950	GASKET, 16		2						
28	2	22190-220002	WASHER, SEAL 22		1						
29	2	129400-13201	GASKET, SILENCER		1						
30	2	124240-01883	GASKET		1						
31	2	171353-26081	GASKET		1						
32	2	24321-000850	O-RING, 1AG85.0		1						
33	1	129400-92430	HONE		1						1
34	1	977770-01212	GASKET, LIQUID		1						1

Remarks  
(1)OPTIONAL

N:Old  $\frac{100}{100}$  New, Q:Old  $\frac{100}{100}$  New, R:Old  $\frac{100}{100}$  New, S:Old  $\frac{100}{100}$  New, W:Add, Z:Discontinued, F:Interchangeable by set, K:Qty Change  
Copyright (C) YANMAR CO., LTD. All Rights Reserved.

## Parts No. Index

Parts No.	Fig. No.	Ref. No.	Parts No.	Fig. No.	Ref. No.	Parts No.	Fig. No.	Ref. No.	Parts No.	Fig. No.	Ref. No.
105025-59580	13	7	119802-11260	4	24	124160-11360	4	49	129100-01580	3	1
105225-59511	13	11	119802-11270	4	25	124160-39140	9	10			14
114250-39450	9	9	119802-11870	4	17	124240-01871	2	14		8	2
114250-53080	12	5		16	5		30		129100-01640	3	15
114250-53120	12	10	119802-21660	8	8	124240-01883	2	31	129100-11110	4	10
114250-53130	12	11	119802-25051	7	8		16	30	129100-23910	8	26
114250-53140	12	12	119802-25070	7	12	124395-49840	10	17	129100-42051	10	3
114250-53210	12	13	119802-25100	7	9		16	15	129100-42121	10	4
114250-53400	12	14	119802-25901	7	14	124450-44510	10	44	129100-55690	13	15
119131-18320	6	5	119802-32070	2	7	124450-44530	10	46	129103-49301	9	35
119225-52102	13	18	119802-32100	2	6	124450-44560	10	47	129120-77501	5	7
119260-34810	9	6	119802-32111	2	17	124460-11340	4	15	129136-77011	14	1
119593-59580	12	58	119802-32120	2	18		16	4	129136-77310	14	2
119609-32040	2	16	119802-32130	2	19	124465-44950	10	40	129136-77520	14	14
	16	23	119802-34850	9	2		42		129150-01200	1	30
119620-01750	3	3	119802-35110	9	21		16	27	129150-01650	3	16
119620-77380	15	4	119802-39450	9	11	124722-59050	10	33	129150-02020	1	6
119620-77421	15	8	119802-49730	10	32		36		129150-02450	7	4
119620-77440	15	13	119802-55700	13	13		12	53	129150-02870	1	33
119620-77461	15	15	119802-55710	13	14		56		129150-02930	1	27
119620-77471	15	16	119802-55800	13	2	124766-59050	13	5	129150-02940	1	36
119620-77480	15	20	119802-59550	12	52		9		129150-03070	4	38
119620-77490	15	29	119802-59560	12	54	128300-77920	15	38	129150-11230	4	30
119620-79200	15	9	119802-77200	15	37	129001-01250	1	10	129150-11280	4	26
119620-79210	15	10	119865-21600	8	14	129001-02930	1	24	129150-11370	4	16
119620-79220	15	11	119940-59130	9	32	129001-32330	2	10	129150-11750	4	32
119620-79230	15	12	120130-11860	4	4	129001-91841	2	21	129150-11810	4	6
119620-79240	15	5	120270-54410	4	21	129004-01190	1	32	129150-14101	7	6
119620-79250	15	6	121023-01550	2	27	129004-03010	4	37	129150-14200	7	1
119620-79260	15	18	121023-26070	7	18	129004-11650	4	29	129150-14400	7	2
119620-79270	15	19	121111-21501	8	11	129004-11900	4	19	129150-23600	8	28
119620-79280	15	21	121250-44901	10	41	129004-42001	10	1	129150-23610	8	36
119620-79290	15	22	121256-44600	10	22	129004-42040	10	15	129150-25301	7	15
119620-79300	15	23	121400-11340	4	14	129004-49610	10	30	129150-35041	9	3
119620-79310	15	24		16	10	129004-49620	10	34		16	11
119620-79320	15	25	121450-42450	10	43	129004-49711	10	31	129150-35111	9	23
119620-79330	15	26	121550-23200	8	27	129004-49721	10	35		16	22
119620-79340	15	27	121750-59890	13	12	129004-55610	13	1	129150-35153	9	24
119620-79350	15	28	121850-21680	8	10	129005-01520	2	11	129150-49811	10	25
119620-79360	15	7	121850-42410	10	8	129005-03080	5	1		16	14
		30	121850-51960	2	20	129005-11100	4	9	129150-59120	12	26
119625-11880	4	18		16	3	129005-22080	8	15	129150-59131	12	29
	16	6	123900-13610	6	3	129005-22500	8	17		33	
119640-01640	3	8	123900-13630	6	4	129005-22900	8	30	129150-77511	5	8
119643-66900	15	35	124060-01050	1	9	129005-22950	8	32		16	8
119802-01560	2	12	124060-77680	12	59	129005-59830	9	12	129155-49801	10	24
119802-03110	4	39	124160-01751	2	13	129006-35100	9	20	129202-22300	8	21
119802-03121	4	40		4	47	129006-44480	9	25	129211-77920	15	36
119802-03130	4	41	124160-01910	1	4	129064-77330	15	1	129240-79300	15	14
119802-03141	4	42			14	129067-77340	15	34	129350-49530	10	26

## Parts No. Index

Parts No.	Fig. No.	Ref. No.
129400-01730	3	6
129400-01770	3	7
129400-13101	6	1
129400-13201	6	7
	16	29
129400-77490	14	12
129400-77571	14	18
129400-92430	16	33
129403-42380	10	20
129407-01340	1	31
	16	2
129407-12110	5	4
	16	21
129410-03990	5	2
129417-33110	9	19
129417-35150	9	22
129418-32320	2	9
129423-77200	15	2
129423-77710	15	17
129436-35091	9	4
129484-26200	7	20
129484-26210	7	22
129486-01670	3	18
129486-42021	10	14
	16	12
129486-42140	10	16
	16	20
129486-59551	12	55
129508-33010	9	18
129508-49030	9	26
129508-49040	9	30
129550-13110	6	2
	16	9
129550-59120	12	30
129601-11241	4	23
129601-11251	4	27
129601-11310	4	44
	16	7
129601-11350	4	36
129601-21002	8	1
129601-34801	9	1
129601-51250	11	1
129601-59810	12	35
129601-59820	12	39
129601-59830	12	43
129601-59840	12	47
129602-11700	4	1
129602-12100	5	3
129602-53001	12	2
129612-01600	3	2

Parts No.	Fig. No.	Ref. No.
129655-44740	10	21
129688-01780	3	7 -1
129795-01780	3	17
129795-01800	2	5
129795-01900	15	31
129795-01950	2	15
129795-02411	1	13
129795-11120	4	11
129795-11180	4	12
129795-21661	8	9
129795-49551	10	27
	16	13
129900-07900	4	51
129900-32130	2	8
129900-77400	14	3
129900-77440	14	6
129900-77450	14	7
129900-77460	14	9
129900-77480	14	10
129900-77500	14	11
129900-77640	14	19
129950-59311	13	4
129956-59010	13	8
129957-59101	13	10
129961-59110	13	6
158552-51151	7	16
171008-03990	9	27
171008-77450	14	8
171008-77510	14	13
171008-77540	14	15
171008-77650	14	20
171008-77660	14	24
171008-77670	14	25
171008-77750	14	31
171031-11741	2	33
171051-01921	1	5
171056-49120	9	37
171353-26081	7	19
	16	31
171420-21580	8	12
22190-080002	9	14
	16	16
22190-100002	9	15
	16	24
22190-220002	3	10
	16	28
22217-140000	7	17
22252-000260	8	22
22351-030010	8	7

Parts No.	Fig. No.	Ref. No.
22351-060012	4	20
22512-070140	7	7
22857-500100	4	45
	4	46
23061-070230	10	48
23080-015000	9	29
	33	33
23080-018000	9	34
23414-080000	10	29
	16	25
23857-030000	9	13
23876-010000	10	11
23876-020000	10	12
23876-030000	2	3
23876-040000	2	4
24105-060064	7	25
24311-000120	4	50
	16	17
24311-000160	13	17
24311-000320	2	22
	34	34
	4	48
	16	18
24311-240100	9	7
	16	26
24321-000650	13	16
24321-000850	7	26
	16	32
24341-000240	2	28
	16	19
25132-003700	10	37
26014-080452	15	33
26106-060122	10	38
26106-060162	2	29
26106-060322	14	29
26106-060402	14	30
26106-080122	2	32
	10	23
26106-080142	4	52
	7	29
26106-080162	2	23
	24	24
	3	11
	9	8
	10	18
	11	2
26106-080202	5	5
	9	36
	11	3
26106-080222	10	28

Parts No.	Fig. No.	Ref. No.
26106-080252	3	12
	4	34
26106-080302	13	3
26106-080352	3	19
	4	22
	5	9
	9	5
26106-080402	7	13
26106-080452	3	13
	10	39
26106-080502	3	20
	4	35
26106-080552	2	25
26106-080602	10	19
26106-080802	5	6
26106-100452	7	27
26116-120252	14	32
26206-100252	3	4
26206-100302	3	5
26226-080182	4	33
26306-080002	2	26
	6	6
26306-100002	15	32
26366-060002	9	17
26450-080282	7	28
26776-140002	7	30
27241-120000	1	11
27241-300000	1	12
27241-400000	4	8
27310-080001	4	13
729005-01500	2	1
729402-14580	7	3
729402-23100	8	23
729602-01560	1	1
729618-92690	16	1
729645-51350	11	4
729645-53100	12	1
977770-01212	16	34
X2114255110	14	5
X2114555500	14	21
X2114955020	14	22
X2130350900	14	4
X2240410100	14	23
X9490561001	15	3