

0CW10-M32100EN

PREFACE

1. This parts catalog is the 1st edition of 4TNV88-XWA2 for Thwaites Limited.

Pub.No. : 000Y00W3210

Published : March, 2008

2. Model name

Engine model	Vehicle	Vehicle made by
4TNV88-XWA2	Dumper Truck	Thwaites Limited

Directions for the Parts Catalog.

1. This Parts Catalog shows both standard and optional parts.
2. Parts may change without prior notice.
3. The following is an example of the Parts Catalog format.

REF.	LEV.	PARTS NO.	DESCRIPTION	Q'TY						I	R
				(A)	(B)	(C)	(D)	(E)	(F)		
1	1	729595-51390	FUEL INJECTION PUMP	1	1	1	1	1			1
1-1	1	729595-51391	FUEL INJECTION PUMP	1	1	1	1	1		N	1
		(A=E00185) (B=E00200)									
3	2	26022-060162	SCREW M 6X 16	9	9	9	9	9			
3-1	2	26022-060162	SCREW M 6X 16	4	4	4	4	4		K	
		(A=E00156) (B=E00156) (C=E00156) (D=E00156) (E=E00156)									
4	2	129470-51040	CAMSHAFT	1	1	1	1	1			
5	2	122710-51050	BEARING, ROLLER	2	2	2	2	2			
6	2	129470-51060	RETAINER	1	1	1	1	1			

Remarks
(1) BOOST COMPEMSATOR TYPE. OPTIONAL PART, TO E00155,(4JH-DT, 4JH-DTZ

① Ref. No.

The Ref. No. listed may not be in accordance with the illustration Ref. No.

(Ex.) Illustration No.

List Ref No.

1 1 (Before change) → 1-1 (After change)

For interchangeable symbols N, R and K, illustrations for new parts may be abbreviated.

② Lev. (Level)

Level indication

The numbers below indicate the level of relativity towards the main part.

1 ---- Main parts (Assembly parts)

2 ---- Sub component included in " 1 ".

3 ---- Sub component included in " 2 ".

Note) Parts that are not for sale are partially illustrated but not listed.

③ Interchangeability Symbol

When a part change takes place, one of the following interchangeability symbols is indicated beside the part.

Symbol	Interchangeability	Contents note
N	Old $\begin{matrix} \leftarrow \text{Yes} \\ \text{No} \rightarrow \end{matrix}$ New	New Part is interchangeable for Old Part but Old Part is not interchangeable for New Part.
Q	Old $\begin{matrix} \leftarrow \text{No} \\ \text{Yes} \rightarrow \end{matrix}$ New	New Part is not interchangeable for Old Part but Old Part is interchangeable for New Part.
R	Old $\begin{matrix} \leftarrow \text{Yes} \\ \text{Yes} \rightarrow \end{matrix}$ New	New/ Old Parts are both interchangeable.
S	Old $\begin{matrix} \leftarrow \text{No} \\ \text{No} \rightarrow \end{matrix}$ New	New/ Old Parts are both not interchangeable.
W		Part newly added.
Z		Part discontinued.
F		Not interchangeable by a single part but interchangeable together with related parts.
K		Changes only for used parts quantities.

④ Effective Machine No.

When a part changes, the effective Machine No. will be indicated in the (A)-(F) column.

Product Symbol	Product No.	Product Symbol	Product No.
C	Clutch No. Compressor No.	F	Machine No. (Agricultural Equip.)
D	Drive No.	M	Machine No.
E	Engine No.		

Note 1) A date may follow the symbol. (Ex.) 1996.01

Note 2) "XXXXX" and "ZZZZZ" are for parts that could not be predicted or for engine models that could not be identified.

Note 3) (A=E00185) is the E (Engine Serial Number) for the column (A) model (in this case 4JH-DT) after the parts design change.

⑤ Remarks

Figures or alphabets (symbols) are entered in the remarks column.

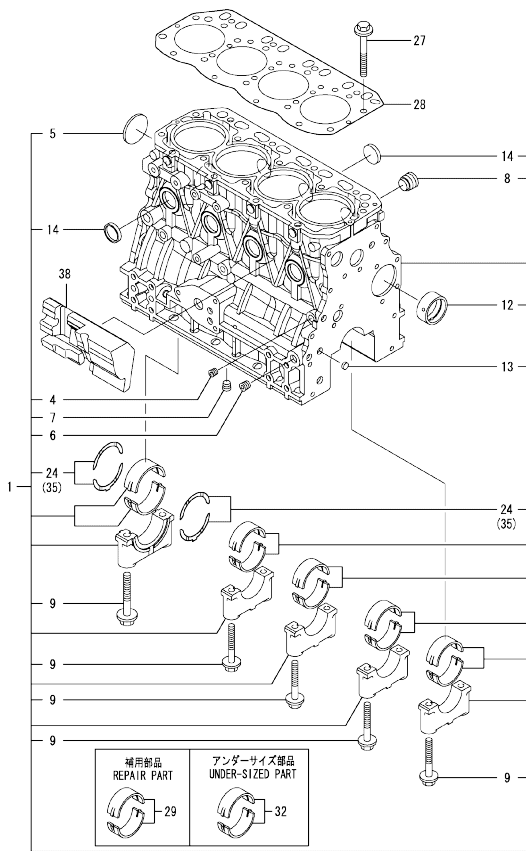
The comments (remarks) on parts that are indicated at the bottom of the illustration are the same symbols as those stated above.

Contents

Fig. No.	Fig. Name	Fig. No.	Fig. Name
4TNV88-XWA2			
1.	CYLINDER BLOCK		
2.	GEAR HOUSING		
3.	FLYWHEEL HOUSING & OIL SUMP		
4.	CYLINDER HEAD & BONNET		
5.	SUCTION MANIFOLD		
6.	EXHAUST MANIFOLD		
7.	CAMSHAFT & DRIVING GEAR		
8.	CRANKSHAFT & PISTON		
9.	LUB.OIL SYSTEM		
10.	COOLING WATER SYSTEM		
11.	FUEL INJECTION PUMP		
12.	GOVERNOR		
13.	FUEL INJECTION VALVE		
14.	FUEL LINE		
15.	STARTING MOTOR		
16.	GENERATOR		
17.	GASKET SET		

0CW10-M32100

Fig.1. CYLINDER BLOCK



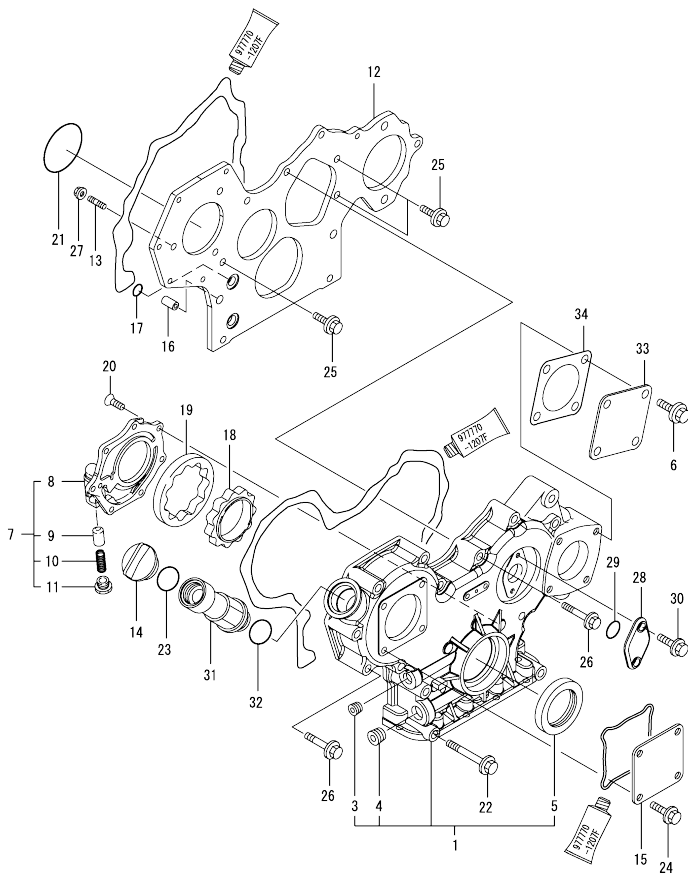
Remarks
 (1) REPAIR PART.
 (2) UNDER-SIZED(U.S=0.25)PART.
 (3) OVER-SIZED(O.S=0.25)PART.

No.	Lev.	Parts No.	Description	Q'ty						I	R
				(A)	(B)	(C)	(D)	(E)	(F)		
1	1	729602-01560	BLOCK ASSY, CYLINDER	1							
4	2	124060-01050	PLUG, PT1/8	1							
5	2	129001-01250	PLUG, 50	1							
6	2	124160-01910	PLUG, PT1/4	2							
7	2	124160-01910	PLUG, PT1/4	1							
8	2	171051-01921	PLUG, NPTF1	1							
9	2	129150-02020	BOLT, METAL CAP	10							
12	2	129795-02412	BUSH, CAMSHAFT	1							
13	2	27241-120000	PLUG, 12	2							
14	2	27241-300000	PLUG 30	8							
24	2	129150-02931	BEARING, THRUST	2							
27	1	129150-01200	BOLT, HEAD	18							
28	1	129407-01340	GASKET, HEAD	1							
29	1	129001-02931	BEARING, MAIN	5							1
32	1	129150-02871	BEARING, 0.25 US	5							2
35	1	129150-02941	BEARING, THRUST 0.25	1							3
38	1	129004-01190	SPACER	1							

N:Old $\frac{100}{100}$ New, Q:Old $\frac{100}{100}$ New, R:Old $\frac{100}{100}$ New, S:Old $\frac{100}{100}$ New, W:Add, Z:Discontinued, F:Interchangeable by set, K:Qty Change
 Copyright (C) YANMAR CO., LTD. All Rights Reserved.

0CW10-M32100

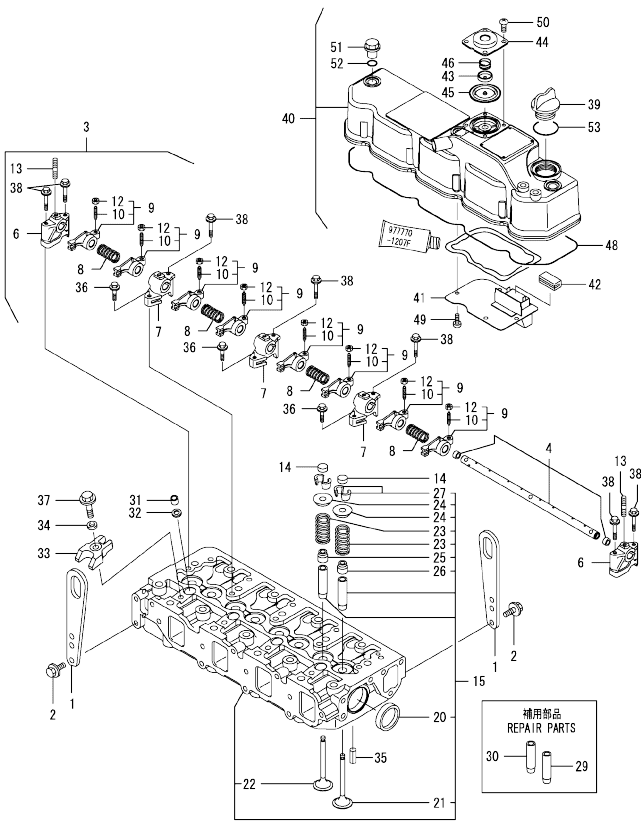
Fig.2. GEAR HOUSING



No.	Lev.	Parts No.	Description	Q'ty						I	R
				(A)	(B)	(C)	(D)	(E)	(F)		
1	1	729005-01500	CASE ASSY, GEAR	1							
3	2	23876-030000	PLUG, R03	1							
4	2	23876-040000	PLUG, R04	1							
5	2	119934-01800	SEAL, OIL	1							
6	1	26106-080122	BOLT, M8X 12 PLATED	4							
7	1	119802-32100	COVER ASSY	1							
8	2	119802-32070	COVER	1							
9	2	129900-32130	VALVE, RELIEF	1							
10	2	129418-32320	SPRING	1							
11	2	129001-32330	PLUG	1							
12	1	129005-01520	FLANGE, GEAR CASE	1							
13	1	119802-01561	STUD, M8X25	3							
14	1	124160-01751	COVER, FILLER	1							
15	1	124240-01871	COVER	1							
16	1	129795-01950	PIPE, KNOCK L=18	2							
17	1	119609-32040	O-RING, P16	4							
18	1	119802-32111	ROTOR, INNER	1							
19	1	119802-32120	ROTOR, OUTER	1							
20	1	119802-32130	SCREW, M6X16	7							
21	1	121850-51960	O-RING	1							
22	1	129001-91841	BOLT, M8X85	3							
23	1	24311-000320	O-RING, 1AP32.0	1							
24	1	26106-080162	BOLT, M8X 16 PLATED	4							
25	1	26106-080162	BOLT, M8X 16 PLATED	3							
26	1	26106-080552	BOLT, M8X 55 PLATED	11							
27	1	26306-080002	NUT, M8	3							
28	1	121023-01551	COVER	1							
29	1	24341-000240	O-RING, 1AS24.0	1							
30	1	26106-060162	BOLT, M6X 16 PLATED	2							
31	1	171031-11741	PIPE	1							
32	1	24311-000320	O-RING, 1AP32.0	1							
33	1	124240-01871	COVER	1							
34	1	124240-01883	GASKET	1							

N:Old $\frac{100}{100}$ New, Q:Old $\frac{100}{100}$ New, R:Old $\frac{100}{100}$ New, S:Old $\frac{100}{100}$ New, W:Add, Z:Discontinued, F:Interchangeable by set, K:Qty Change
 Copyright (C) YANMAR CO., LTD. All Rights Reserved.

Fig.4. CYLINDER HEAD & BONNET

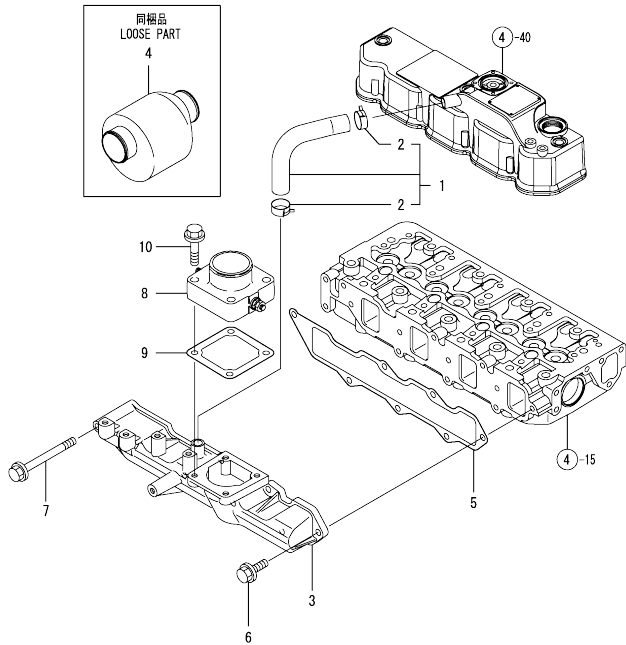


Remarks
(1) REPAIR PART.

No.	Lev.	Parts No.	Description	Q'ty						I	R		
				(A)	(B)	(C)	(D)	(E)	(F)				
1	1	129900-07900	LIFTER										
2	1	26106-080162	BOLT, M8X 16 PLATED										
3	1	129601-11241	SHAFT ASSY, ROCKER										
4	2	129601-11251	SHAFT, ROCKER ARM										
6	2	119802-11260	SUPPORT, ROCKER ARM										
7	2	119802-11270	SUPPORT, ROCKER ARM										
8	2	129150-11280	SPRING										
9	2	129004-11650	ARM, ROCKER										
10	3	129150-11230	SCREW, VALVE ADJUST										
12	3	129150-11750	NUT, M8										
13	2	26226-080182	STUD, M8X 18										
14	1	129150-11370	CAP, VALVE										
15	1	129602-11700	HEAD ASSY, CYLINDER										
20	2	27241-400000	PLUG, 40										
21	2	129005-11100	VALVE, INTAKE										
22	2	129100-11112	VALVE, EXHAUST										
23	2	129795-11120	SPRING, VALVE										
24	2	129795-11180	RETAINER, SPRING										
25	2	121400-11340	SEAL, VALVE STEM										
26	2	124460-11340	SEAL, VALVE STEM										
27	2	27310-080001	COTTER, 8										
29	1	120130-11860	GUIDE, VALVE										1
30	1	129150-11810	GUIDE, VALVE										1
31	1	119802-11870	PROTECTOR, NOZZLE										
32	1	119625-11880	SEAT, NOZZLE										
33	1	129004-11900	RETAINER, NOZZLE										
34	1	120270-54410	WASHER, INJECTOR										
35	1	22351-060012	PIN, SPRING 6.0X12										
36	1	26106-080252	BOLT, M8X 25 PLATED										
37	1	26106-080352	BOLT, M8X 35 PLATED										
38	1	26106-080502	BOLT, M8X 50 PLATED										
39	1	124160-01751	COVER, FILLER										
40	1	129601-11350	BONNET ASSY, HEAD										
41	2	129004-03010	PLATE										
42	2	129150-03070	BAFFLE, BREATHER										
43	2	119802-03110	PLATE										
44	2	119802-03121	COVER, DIAPHRAGM										
45	2	119802-03130	DIAPHRAGM										
46	2	119802-03141	SPRING, DIAPHRAGM										
48	2	129601-11310	GASKET, BONNET										
49	2	22857-500100	SCREW, 5X10										
50	2	22857-500100	SCREW, 5X10										
51	1	124160-11360	KNOB										
52	1	24311-000120	O-RING, 1AP12.0										
53	1	24311-000320	O-RING, 1AP32.0										

N:Old $\frac{100}{100}$ New, Q:Old $\frac{100}{100}$ New, R:Old $\frac{100}{100}$ New, S:Old $\frac{100}{100}$ New, W:Add, Z:Discontinued, F:Interchangeable by set, K:Q'ty Change
Copyright (C) YANMAR CO., LTD. All Rights Reserved.

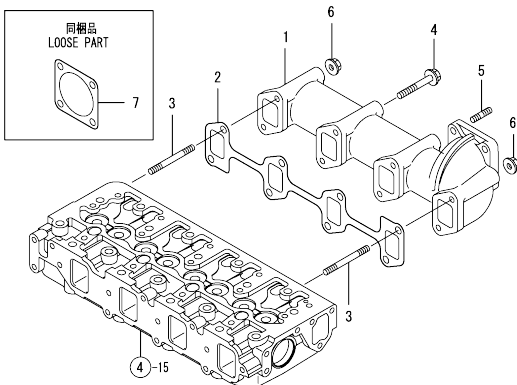
Fig.5. SUCTION MANIFOLD



No.	Lev.	Parts No.	Description	Q'ty					
				(A)	(B)	(C)	(D)	(E)	(F)
1	1	129005-03080	PIPE, BREATHER	1					
2	2	129410-03990	CLAMP 22	2					
3	1	129602-12100	MANIFOLD, AIR INTAKE	1					
4	1	119160-12060	SILENCER ASSY	1					
5	1	129407-12110	GASKET, MANIFOLD	1					
6	1	26106-080202	BOLT, M8X 20 PLATED	6					
7	1	26106-080802	BOLT, M8X 80 PLATED	1					
8	1	129120-77502	HEATER	1					
9	1	129150-77511	GASKET	1					
10	1	26106-080352	BOLT, M8X 35 PLATED	4					

0CW10-M32100

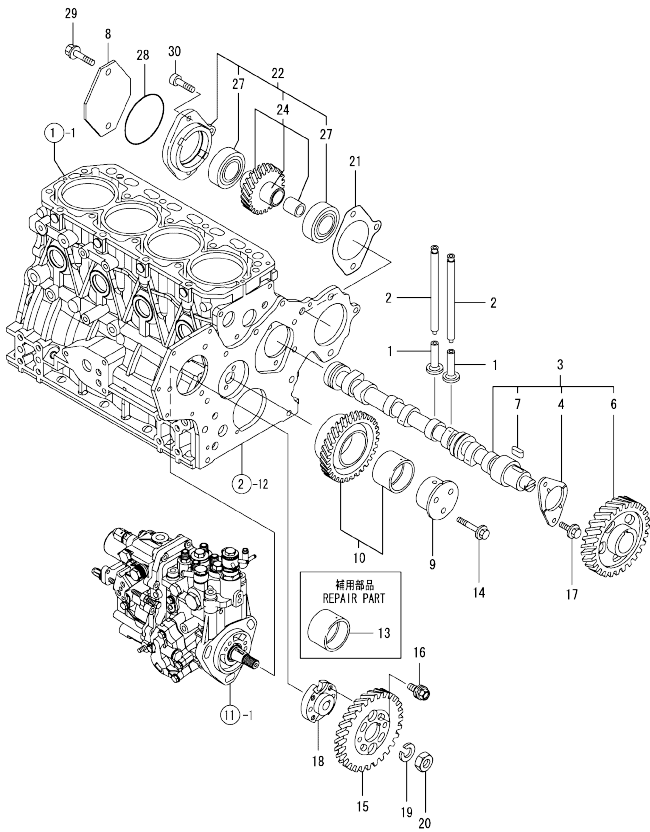
Fig.6. EXHAUST MANIFOLD



No.	Lev.	Parts No.	Description	Q'ty					
				(A)	(B)	(C)	(D)	(E)	(F)
1	1	129400-13101	MANIFOLD, EXHAUST	1					
2	1	129550-13110	GASKET	1					
3	1	123900-13610	STUD, M8X80	2					
4	1	123900-13630	BOLT, M8X80	6					
5	1	119131-18320	STUD, M8X22	4					
6	1	26306-080002	NUT, M8	2					
7	1	129400-13201	GASKET, SILENCER	1					

0CW10-M32100

Fig.7. CAMSHAFT & DRIVING GEAR



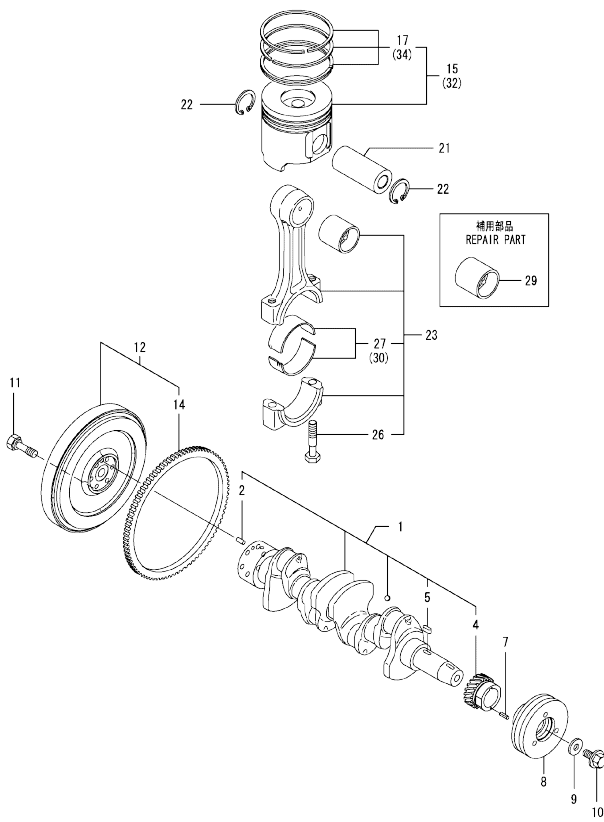
Remarks
(1) REPAIR PART.

No.	Lev.	Parts No.	Description	Q'ty						I	R
				(A)	(B)	(C)	(D)	(E)	(F)		
1	1	129150-14200	TAPPET	8							
2	1	129150-14400	ROD, PUSH L=178	8							
3	1	729402-14580	CAMSHAFT ASSY	1							
4	2	129150-02450	BEARING, THRUST	1							
6	2	129150-14101	GEAR, CAMSHAFT	1							
7	2	22512-070140	KEY, 7X 14	1							
8	1	121023-26070	COVER	1							
9	1	119802-25051	SHAFT, IDLE	1							
10	1	119802-25101	GEAR ASSY, IDLE	1							
13	1	119802-25071	BUSH, IDLE GEAR	1							1
14	1	26106-080402	BOLT, M8X 40 PLATED	3							
15	1	119802-25901	GEAR, PUMP	1							
16	1	129150-25301	BOLT	4							
17	1	26106-080142	BOLT, M8X 14 PLATED	2							
18	1	158552-51151	FLANGE	1							
19	1	22217-140000	WASHER, SPRING 14	1							
20	1	26776-140002	NUT, LOCK M14	1							
21	1	171353-26081	GASKET	1							
22	1	129484-26200	DRIVE ASSY, PUMP	1							
24	2	129484-26210	GEAR ASSY	1							
27	2	24105-060064	BEARING, BALL 6006Z	2							
28	1	24321-000850	O-RING, 1AG85.0	1							
29	1	26106-100452	BOLT, M10X 45 PLATED	2							
30	1	26450-080282	BOLT, M8X 28	1							

N:Old $\frac{YES}{NO}$ New, Q:Old $\frac{YES}{NO}$ New, R:Old $\frac{YES}{NO}$ New, S:Old $\frac{YES}{NO}$ New, W:Add, Z:Discontinued, F:Interchangeable by set, K:Qty Change
Copyright (C) YANMAR CO., LTD. All Rights Reserved.

OCW10-M32100

Fig.8. CRANKSHAFT & PISTON

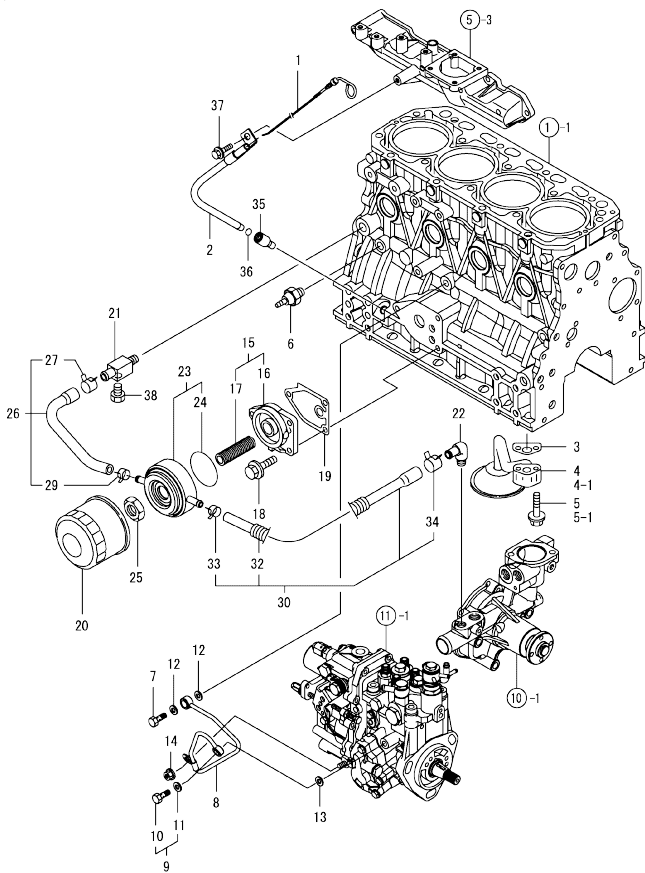


Remarks
 (1) REPAIR PART.
 (2) UNDER-SIZED(U.S=0.25)PART.
 (3) OVER-SIZED(O.S=0.25)PART.

No.	Lev.	Parts No.	Description	Q'ty						I	R
				(A)	(B)	(C)	(D)	(E)	(F)		
1	1	129601-21002	CRANKSHAFT ASSY	1							
2	2	129100-01580	PIN, M8X16	1							
4	2	119802-21202	GEAR, CRANKSHAFT	1							
5	2	22512-070140	KEY, 7X 14	1							
7	1	22351-030010	PIN, SPRING 3.0X10	1							
8	1	119802-21660	V-PULLEY, 120	1							
9	1	129795-21661	WASHER	1							
10	1	121850-21680	BOLT	1							
11	1	121111-21501	BOLT, FLYWHEEL	6							
12	1	129654-21590	FLYWHEEL ASSY	1							
14	2	119865-21600	GEAR, RING	1							
15	1	129005-22080	PISTON ASSY	4							
17	2	129005-22500	RING SET, PISTON	4							
21	1	129202-22300	PIN, PISTON D26 L70	4							
22	1	22252-000260	RING, 26	8							
23	1	729402-23100	ROD ASSY, CONNECTING	4							
26	2	121550-23200	BOLT, CONNECTING ROD	8							
27	2	129150-23601	BEARING, CRANK PIN	4							
29	1	129100-23910	BEARING, PISTON PIN	4							1
30	1	129150-23611	BEARING, 0.25 US	4							2
32	1	129005-22900	PISTON ASSY, 0.25 OS	4							3
34	2	129005-22950	RING SET, 0.25 OS	4							3

N:Old $\frac{YES}{NO}$ New, Q:Old $\frac{HE}{VE}$ New, R:Old $\frac{YES}{NO}$ New, S:Old $\frac{NO}{YES}$ New, W:Add, Z:Discontinued, F:Interchangeable by set, K:Qty Change
 Copyright (C) YANMAR CO., LTD. All Rights Reserved.

Fig.9. LUB.OIL SYSTEM

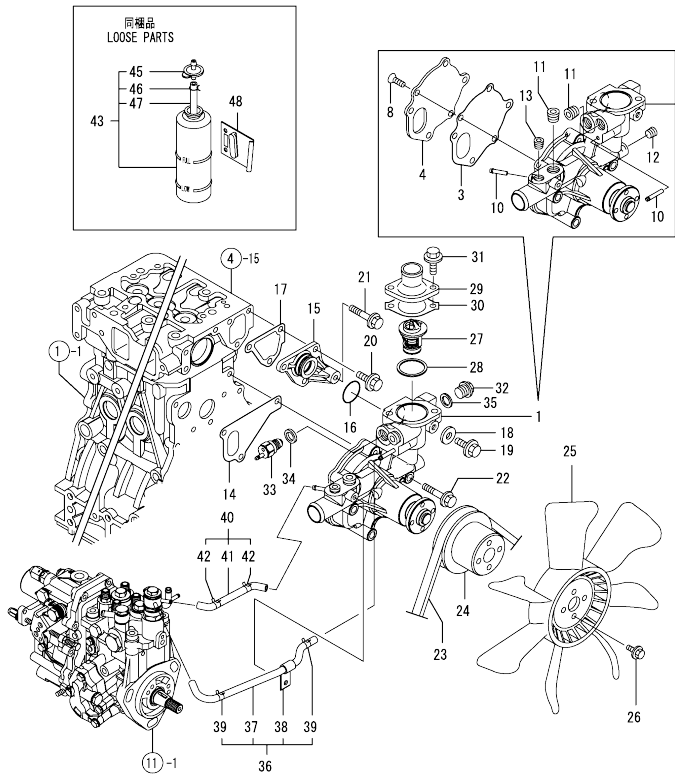


No.	Lev.	Parts No.	Description	Q'ty						I	R
				(A)	(B)	(C)	(D)	(E)	(F)		
1	1	129601-34801	DIPSTICK, OIL	1							
2	1	119802-34850	GUIDE, DIPSTICK	1							
3	1	129150-35042	GASKET	1							
4	1	129436-35091	PIPE ASSY, OIL INLET	1							
4-1	1	129436-35070	PIPE ASSY, LUB. OIL	1							S
(A=EZZZZZ)											
5	1	26106-080352	BOLT, M8X 35 PLATED	2							
5-1	1	26106-080552	BOLT, M8X 55 PLATED	2							S
(A=EZZZZZ)											
6	1	114250-39450	SWITCH, 0.5KG	1							
7	1	124160-39140	BOLT, PIPE JOINT M10	1							
8	1	119802-39450	PIPE ASSY, OIL	1							
9	1	129005-59830	BOLT ASSY, JOINT M8	1							
10	2	23857-030000	BOLT, JOINT 3	1							
11	2	22190-080002	WASHER, SEAL 6	1							
12	1	22190-100002	WASHER, SEAL 10	2							
13	1	22190-080002	WASHER, SEAL 6	1							
14	1	26366-060002	NUT, M6	1							
15	1	129006-35100	BRACKET ASSY, FILTER	1							
16	2	119802-35110	BRACKET, FILTER	1							
17	2	129417-35150	STUD, L=67	1							
18	1	26106-080202	BOLT, M8X 20 PLATED	3							
19	1	129150-35111	GASKET	1							
20	1	129150-35153	FILTER 80X80L	1							1
21	1	129006-44480	JOINT	1							
22	1	129103-49301	ELBOW, PT1/4	1							
23	1	129508-33010	COOLER ASSY, OIL	1							
24	2	129508-33050	O-RING	1							
25	1	129417-33110	NUT	1							
26	1	129508-49030	PIPE ASSY, WATER	1							
27	2	171008-03990	CLIP, HOSE 18.5	1							
29	2	23080-015000	CLAMP, 15	1							
30	1	129508-49040	PIPE ASSY, WATER	1							
32	2	119940-59130	TUBE, CORRUGATED	1							
33	2	23080-015000	CLAMP, 15	1							
34	2	171008-03990	CLIP, HOSE 18.5	1							
35	1	119260-34810	GUIDE, DIPSTICK	1							
36	1	24311-240100	O-RING, 1AP10A	1							
37	1	26106-080162	BOLT, M8X 16 PLATED	1							
38	1	171056-49120	PLUG, DRAIN	1							

Remarks
(1) REPAIR PART.

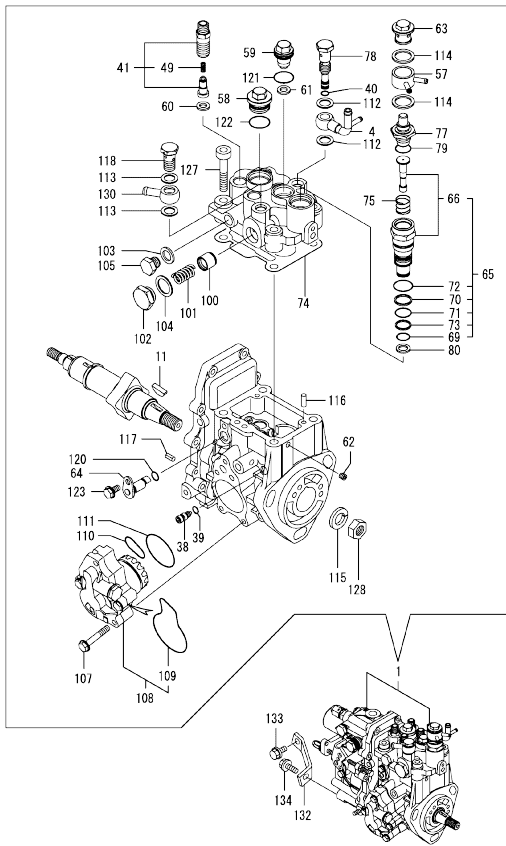
N:Old $\frac{100}{100}$ New, Q:Old $\frac{100}{100}$ New, R:Old $\frac{100}{100}$ New, S:Old $\frac{100}{100}$ New, W:Add, Z:Discontinued, F:Interchangeable by set, K:Qty Change
Copyright (C) YANMAR CO., LTD. All Rights Reserved.

Fig.10. COOLING WATER SYSTEM



No.	Lev.	Parts No.	Description	Q'ty						I	R
				(A)	(B)	(C)	(D)	(E)	(F)		
1	1	129004-42001	PUMP ASSY, WATER	1							
3	2	129100-42051	GASKET, WATER PUMP	1							
4	2	129100-42121	PLATE	1							
8	2	121850-42410	SCREW	3							
10	2	119802-49113	JOINT, PIPE	2							
11	2	129916-49740	PLUG, R03	2							
12	2	23876-010000	PLUG, R01	1							
13	2	23876-020000	PLUG, R02	1							
14	1	129486-42021	GASKET, WATER PUMP	1							
15	1	129004-42040	JOINT	1							
16	1	129486-42140	O-RING, G30	1							
17	1	124395-49840	GASKET	1							
18	1	23414-080000	GASKET, 8X1.0	1							
19	1	26106-080122	BOLT, M8X 12 PLATED	1							
20	1	26106-080162	BOLT, M8X 16 PLATED	3							
21	1	26106-080452	BOLT, M8X 45 PLATED	1							
22	1	26106-080602	BOLT, M8X 60 PLATED	3							
23	1	25132-003700	V-BELT, A37	1							
24	1	129550-42350	V-PULLEY, D=120	1							
25	1	129655-44740	FAN, COOLING D380	1							
26	1	26106-060122	BOLT, M6X 12 PLATED	4							
27	1	129155-49801	THERMOSTAT, 71	1							
28	1	129150-49811	GASKET, THERMOSTAT	1							
29	1	129350-49530	COVER, THERMOSTAT	1							
30	1	129795-49551	GASKET	1							
31	1	26106-080222	BOLT, M8X 22 PLATED	2							
32	1	121450-42450	PLUG, M16	1							
33	1	121250-44901	SWITCH, 110	1							
34	1	124465-44950	GASKET, 16	1							
35	1	124465-44950	GASKET, 16	1							
36	1	129004-49610	PIPE ASSY, WATER	1							
37	2	129004-49711	PIPE ASSY, WATER	1							
38	2	119802-49730	RETAINER, PIPE	1							
39	2	124722-59050	CLIP, HOSE 9	2							
40	1	129004-49620	PIPE ASSY, WATER	1							
41	2	129004-49721	PIPE ASSY, WATER	1							
42	2	124722-59050	CLIP, HOSE 9	2							
43	1	124450-44510	TANK ASSY, SUB	1							
45	2	124450-44530	CAP	1							
46	2	124450-44560	RETAINER	1							
47	2	23061-070230	PIPE, 7X 230	1							
48	1	121256-44600	BRACKET, SUB TANK	1							

Fig.11. FUEL INJECTION PUMP



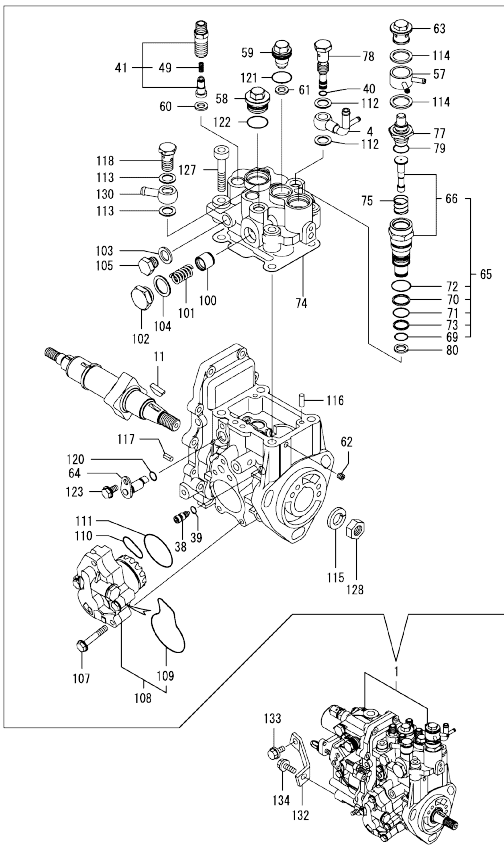
Remarks
 (1) GOVERNOR ASSY(FIG.12) IS INCORPORATED IN THIS FUEL INJECTION PUMP.(REF.NO.1).

No.	Lev.	Parts No.	Description	Q'ty						I	R
				(A)	(B)	(C)	(D)	(E)	(F)		
1	1	729645-51350	PUMP ASSY, INJECTION	1							1
4	2	158552-51670	JOINT, OVER FLOW	1							
11	2	119802-51090	KEY, 4X16	1							
38	2	158600-51270	STOPPER, TAPPET	1							
39	2	158563-51281	O-RING, 4D S6	1							
40	2	158563-51281	O-RING, 4D S6	1							
41	2	129509-51390	VALVE ASSY, DELIVERY	4							W
		(A=2008.02.)									
49	3	158563-51330	SPRING, DELIVERY	4							
57	2	158553-51551	JOINT	1							
58	2	158601-51550	PLUG	1							
59	2	119802-51560	PLUG, BARREL	1							
60	2	158552-51570	GASKET	4							
61	2	158552-51570	GASKET	1							
62	2	158557-51570	PLUG	1							
63	2	158601-51570	PLUG	1							
64	2	158552-51580	LIFTER	1							
65	2	119802-51590	TIMER SET	1							
66	3	119802-51600	TIMER ASSY	1							
69	3	158553-51670	O-RING, 1011	1							
70	3	119802-51680	RING, BACK UP	1							
71	3	119802-51690	O-RING	1							
72	3	24356-010200	O-RING, 4D1020	1							
73	3	24372-000150	RING, BACK UP T2P15	1							
74	2	158552-51600	GASKET	1							
75	2	158553-51630	SPRING, TIMER	1							
77	2	158553-51640	ELEMENT	1							
78	2	158601-51650	JOINT, OVER FLOW	1							
79	2	158553-51660	O-RING, P14	1							
80	2	158553-51680	GASKET	1							
100	2	158601-51770	PISTON	1							
101	2	158552-51781	SPRING	1							
102	2	158601-51790	PLUG	1							
103	2	22190-120002	WASHER, SEAL 12	1							
104	2	22190-180002	WASHER, SEAL 18	1							
105	2	23887-120002	PLUG, 12	1							
107	2	158553-51770	BOLT	4							
108	2	158552-52100	PUMP ASSY, FUEL FEED	1							
109	3	158552-52500	O-RING	1							
110	2	158552-52310	O-RING	1							
111	2	158552-52400	O-RING, 4E S42	1							
112	2	22190-120002	WASHER, SEAL 12	2							
113	2	22190-120002	WASHER, SEAL 12	2							
114	2	22190-180002	WASHER, SEAL 18	2							
115	2	22217-140000	WASHER, SPRING 14	1							
116	2	22312-050140	PIN, PARALLEL M5X14	2							
117	2	22351-050010	PIN, SPRING 5.0X10	2							
118	2	23857-060000	BOLT, JOINT 6	1							
120	2	24311-000070	O-RING, 1AP7.0	1							
121	2	24356-010180	O-RING, 4D1018	1							
122	2	24356-010200	O-RING, 4D1020	1							

N:Old $\frac{New}{Old}$ New, Q:Old $\frac{New}{Old}$ New, R:Old $\frac{New}{Old}$ New, S:Old $\frac{New}{Old}$ New, W:Add, Z:Discontinued, F:Interchangeable by set, K:Q'ty Change
 ++ CONTINUE ++
 Copyright (C) YANMAR CO., LTD. All Rights Reserved.

OCW10-M32100

Fig.11. FUEL INJECTION PUMP



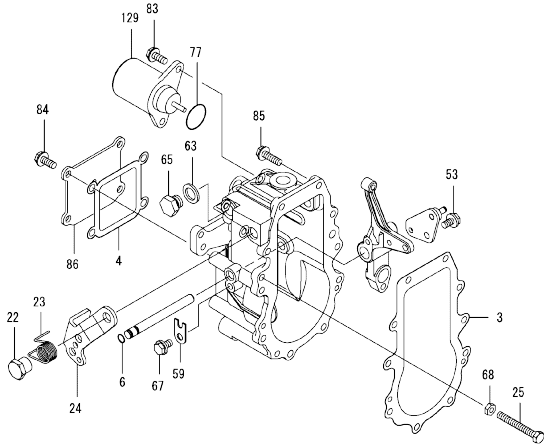
No.	Lev.	Parts No.	Description	Q'ty					
				(A)	(B)	(C)	(D)	(E)	(F)
123	2	26106-060102	BOLT, M6X 10 PLATED	1					
127	2	26450-080452	BOLT, M8X 45	4					
128	2	26776-140002	NUT, LOCK M14	1					
130	2	129916-59020	JOINT, PIPE 12	1					
132	1	129601-51250	RETAINER, PUMP	1					
133	1	26106-080162	BOLT, M8X 16 PLATED	1					
134	1	26106-080202	BOLT, M8X 20 PLATED	1					

Remarks
 (1) GOVERNOR ASSY(FIG.12) IS
 INCORPORATED IN THIS FUEL
 INJECTION PUMP.(REF.NO.1).

N:Old $\frac{New}{Old}$ New. Q:Old $\frac{New}{Old}$ New. R:Old $\frac{New}{Old}$ New. S:Old $\frac{New}{Old}$ New. W:Add. Z:Discontinued. F:Interchangeable by set. K:Q'ty Change
 Copyright (C) YANMAR CO., LTD. All Rights Reserved.

OCW10-M32100

Fig.12. GOVERNOR

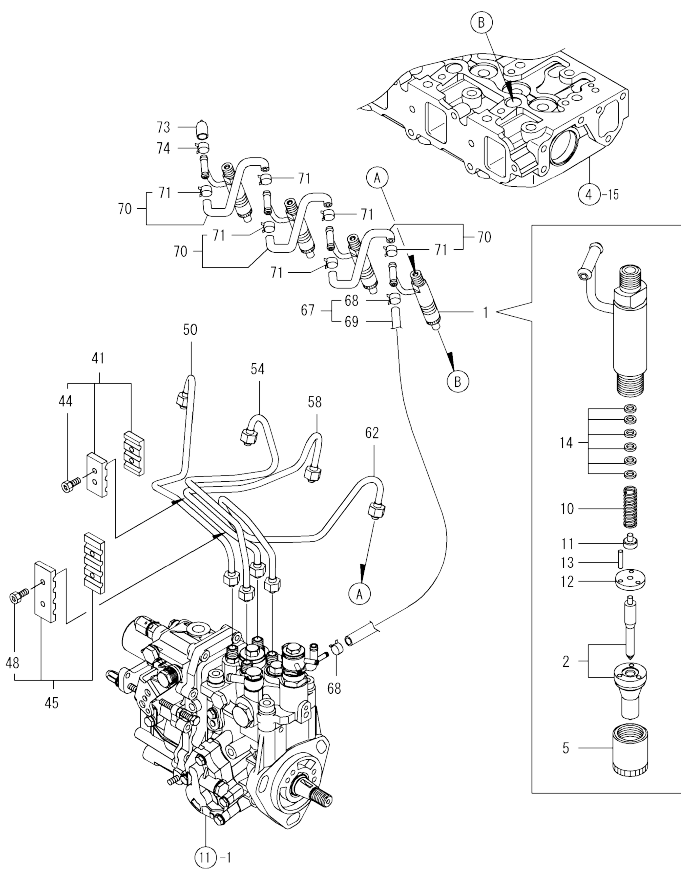


No.	Lev.	Parts No.	Description	Q'ty						I	R
				(A)	(B)	(C)	(D)	(E)	(F)		
3	2	158553-61050	GASKET	1							
4	2	158553-61070	GASKET	1							
6	2	129155-51280	O-RING, S6	1							
22	2	129255-61410	NUT, LOCK	1							
23	2	119807-61420	SPRING, RETURN	1							
24	2	158552-61441	LEVER, REGULATOR	1							
53	2	26106-060102	BOLT, M6X 10 PLATED	1							
59	2	119660-61901	RETAINER, SHAFT	1							
63	2	22190-120000	WASHER, SEAL 12	1							
65	2	23887-120002	PLUG, 12	1							
67	2	26106-060102	BOLT, M6X 10 PLATED	1							
68	2	26756-060002	NUT, LOCK M6	1							
77	2	158552-61900	O-RING	1							
83	2	26106-060142	BOLT, M6X 14 PLATED	2							
84	2	26106-060142	BOLT, M6X 14 PLATED	4							
85	2	26106-060202	BOLT, M6X 20 PLATED	10							
86	2	129642-61060	COVER, GOVERNOR CASE	1							
129	2	119653-77950	SOLENOID, STOP	1							

Remarks
 * THIS FIGURE(GOVERNOR ASSY)IS
 INCORPORATED IN THE FUEL INJECTION
 PUMP ASSY(FIG.11).

N:Old $\frac{100}{100}$ New, Q:Old $\frac{100}{100}$ New, R:Old $\frac{100}{100}$ New, S:Old $\frac{100}{100}$ New, W:Add, Z:Discontinued, F:Interchangeable by set, K:Q'ty Change
 Copyright (C) YANMAR CO., LTD. All Rights Reserved.

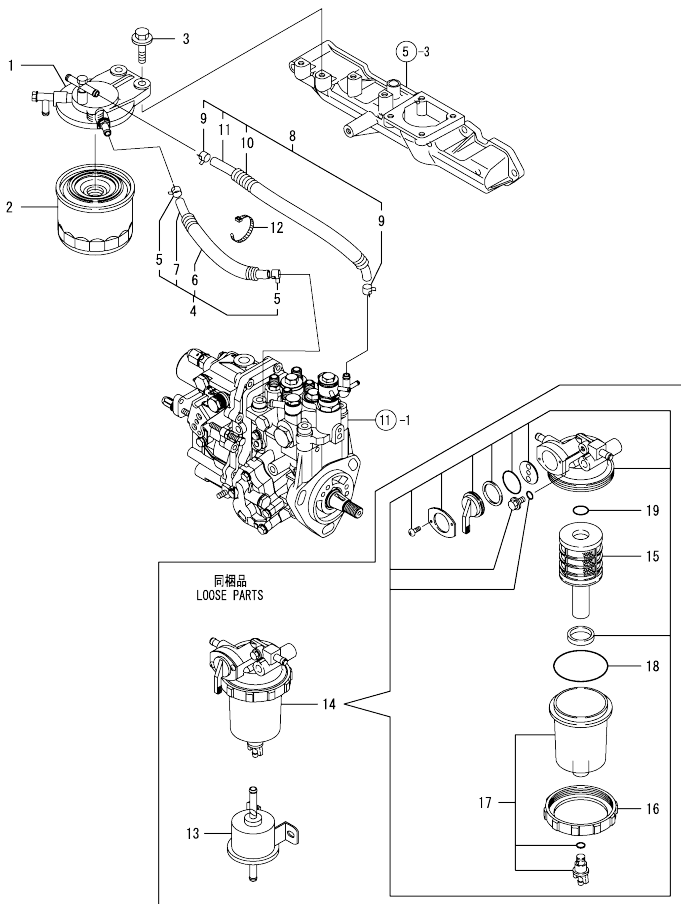
Fig.13. FUEL INJECTION VALVE



No.	Lev.	Parts No.	Description	Q'ty						I	R
				(A)	(B)	(C)	(D)	(E)	(F)		
1	1	729645-53100	VALVE ASSY,INJECTION	4							
2	2	129602-53001	VALVE ASSY,INJECTION	4							
5	2	114250-53080	NUT, NOZZLE D16.95	4							
10	2	114250-53120	SPRING, NOZZLE	4							
11	2	114250-53130	SEAT, SPRING	4							
12	2	114250-53140	PLATE	4							
13	2	114250-53210	PIN	8							
14	2	119803-53400	SHIM SET	4							
41	1	129150-59120	RETAINER, PIPE	1							
44	2	129150-59131	BOLT, M4X14	2							
45	1	129550-59120	RETAINER, PIPE	1							
48	2	129150-59131	BOLT, M4X14	2							
50	1	129601-59810	PIPE ASSY, INJECTION	1							
54	1	129601-59820	PIPE ASSY, INJECTION	1							
58	1	129601-59830	PIPE ASSY, INJECTION	1							
62	1	129601-59840	PIPE ASSY, INJECTION	1							
67	1	119802-59550	PIPE ASSY, RETURN	1							
68	2	124722-59050	CLIP, HOSE 9	2							
69	2	119802-59560	PIPE, FUEL RETURN	1							
70	1	129486-59551	PIPE ASSY, RETURN	3							
71	2	124722-59050	CLIP, HOSE 9	6							
73	1	119593-59581	CAP	1							
74	1	124060-77680	CLIP, HOSE 10	1							

OCW10-M32100

Fig.14. FUEL LINE

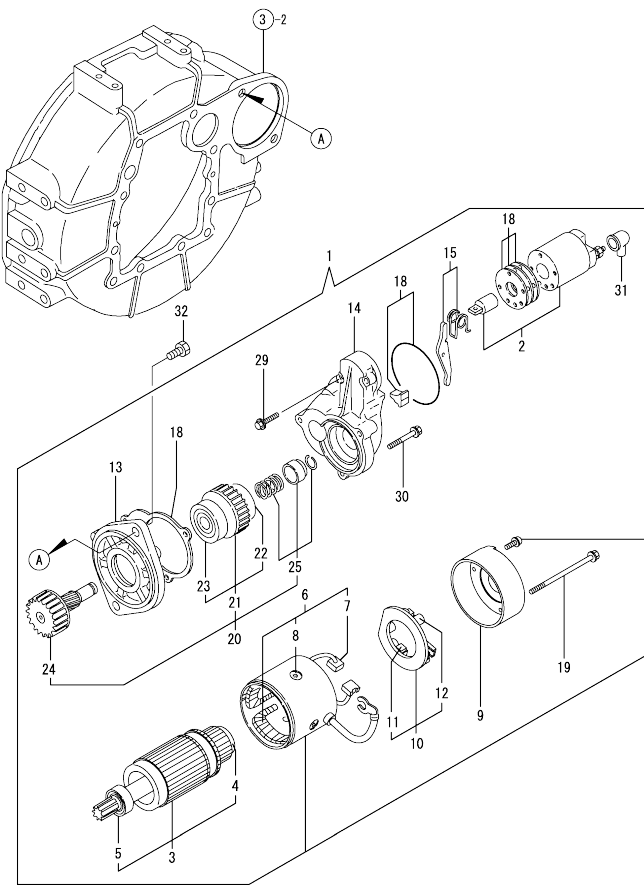


No.	Lev.	Parts No.	Description	Q'ty						I	R
				(A)	(B)	(C)	(D)	(E)	(F)		
1	1	129004-55612	BRACKET, FILTER	1							
2	1	119802-55801	FILTER, FUEL	1							
3	1	26106-080302	BOLT, M8X 30 PLATED	2							
4	1	129956-59010	PIPE ASSY, FUEL	1							
5	2	124766-59050	CLIP, HOSE 12	2							
6	2	129957-59101	TUBE, CORRUGATED	1							
7	2	105225-59511	PIPE, FUEL	1							
8	1	129950-59311	PIPE, FUEL	1							
9	2	124766-59050	CLIP, HOSE 12	2							
10	2	129961-59110	TUBE, CORRUGATED	1							
11	2	105025-59580	PIPE, FUEL	1							
12	1	121750-59890	BAND, 140	1							
13	1	119225-52102	PUMP ASSY, FUEL FEED	1							
14	1	119802-55700	SEPARATOR ASSY	1							
15	2	119802-55710	ELEMENT	1							
16	2	129100-55690	RING, RETAINING	1							
17	2	119802-55730	CUP ASSY	1							
18	2	24321-000650	O-RING, 1AG65.0	1							
19	2	24311-000160	O-RING, 1AP16.0	1							

N:Old $\frac{New}{Old}$ New, Q:Old $\frac{New}{Old}$ New, R:Old $\frac{New}{Old}$ New, S:Old $\frac{New}{Old}$ New, W:Add, Z:Discontinued, F:Interchangeable by set, K:Q'ty Change
 Copyright (C) YANMAR CO., LTD. All Rights Reserved.

OCW10-M32100

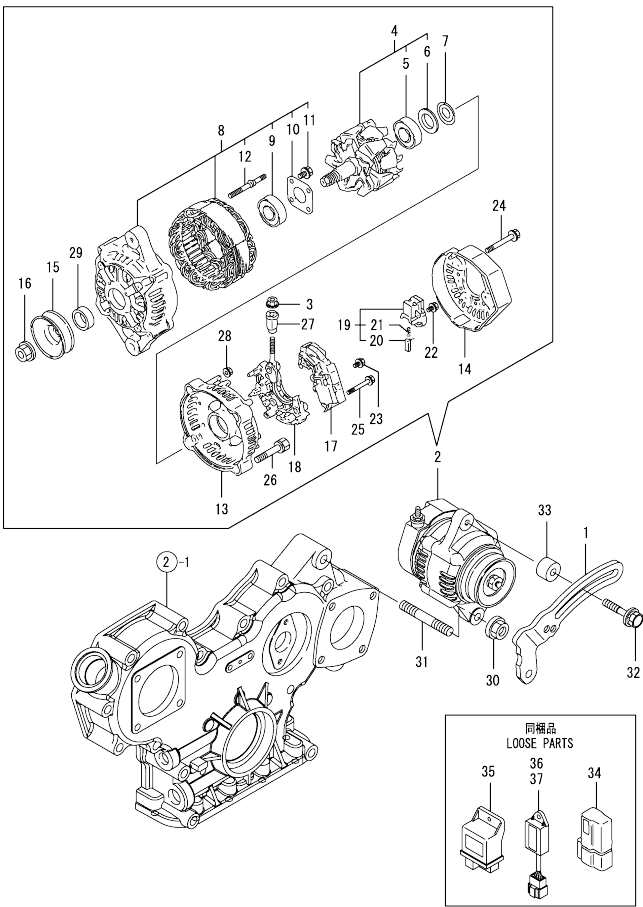
Fig.15. STARTING MOTOR



No.	Lev.	Parts No.	Description	Q'ty					
				(A)	(B)	(C)	(D)	(E)	(F)
1	1	129136-77011	STARTER	1					
2	2	129136-77310	SWITCH ASSY	1					
3	2	129900-77400	ARMATURE ASSY	1					
4	3	X2130350900	BALL BEARING	1					
5	3	X2114255110	BEARING, BALL	1					
6	2	129900-77440	COIL ASSY, FIELD	1					
7	3	129900-77450	BRUSH (+)	2					
8	3	171008-77450	SCREW	4					
9	2	129900-77460	COVER, REAR	1					
10	2	129900-77480	HOLDER ASSY, BRASH	1					
11	3	129900-77450	BRUSH (+)	2					
12	3	129400-77490	SPRING, BRUSH	4					
13	2	171008-77510	HOUSING ASSY, GEAR	1					
14	2	129136-77520	CENTER HOUSING	1					
15	2	171008-77540	LEVER SET, SHIFT	1					
18	2	129400-77571	DUST COVER, (NON-ASB.	1					
19	2	129900-77640	BOLT, THROUGHT	2					
20	2	171008-77650	PINION ASSY	1					
21	3	X2114555500	CLUTCH ASSY	1					
22	4	X2114955020	BALL BEARING	1					
23	4	X2240410100	BEARING, BALL	1					
24	3	171008-77660	SHAFT, PINION	1					
25	3	171008-77670	STOPPER SET, PINION	1					
29	2	26106-060322	BOLT, M6X 32 PLATED	2					
30	2	26106-060402	BOLT, M6X 40 PLATED	3					
31	2	171008-77750	COVER, M TERMINAL	1					
32	1	26116-120252	BOLT, M12X 25 PLATED	2					

N:Old $\frac{100}{100}$ New, Q:Old $\frac{100}{100}$ New, R:Old $\frac{100}{100}$ New, S:Old $\frac{100}{100}$ New, W:Add, Z:Discontinued, F:Interchangeable by set, K:Q'ty Change
 Copyright (C) YANMAR CO., LTD. All Rights Reserved.

Fig.16. GENERATOR

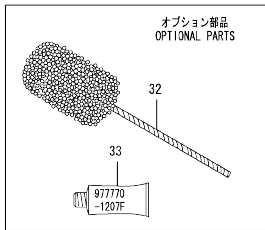
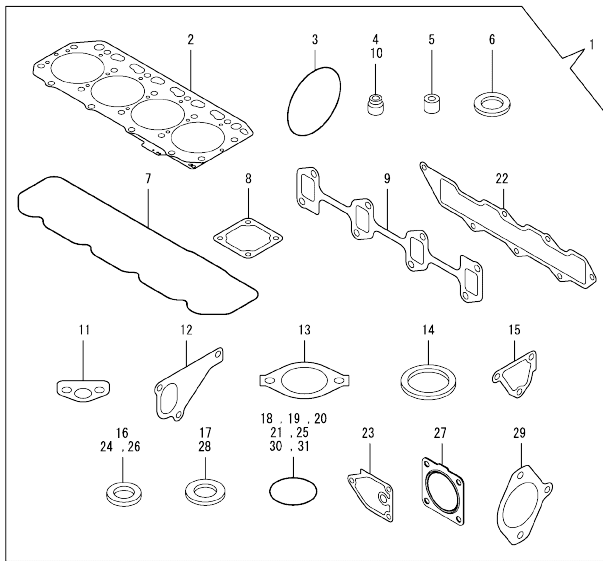


No.	Lev.	Parts No.	Description	Q'ty					
				(A)	(B)	(C)	(D)	(E)	(F)
1	1	129064-77330	ADJUSTER	1					
2	1	129423-77200	GENERATOR, 12V-40A	1					
3	2	X9490561001	NUT	1					
4	2	119620-77380	ROTOR ASSY	1					
5	3	123501-79240	BEARING, BALL	1					
6	3	119620-79250	COVER, BEARING	1					
7	2	119620-79360	WASHER, THRUST	1					
8	2	119620-77421	FRAME ASSY, DRIVE	1					
9	3	119620-79200	BALL BEARING	1					
10	3	119620-79210	PLATE	1					
11	3	119620-79220	SCREW	4					
12	3	119620-79230	BOLT, STUD	2					
13	2	119620-77440	FLAME ASSY, REAR	1					
14	2	129240-79300	COVER	1					
15	2	119620-77461	PULLEY	1					
16	2	119620-77471	NUT	1					
17	2	129423-77710	REGULATOR ASSY	1					
18	2	119620-79260	HOLDER	1					
19	2	129052-79270	HOLDER, BRUSH	1					
20	3	119620-77480	BRUSH ASSY	2					
21	3	119620-79280	SPRING	2					
22	2	119620-79290	SCREW	6					
23	2	119620-79300	SCREW	1					
24	2	119620-79310	BOLT	3					
25	2	119620-79320	SCREW W/WASHER	2					
26	2	119620-79330	BOLT	2					
27	2	119620-79340	INSULATION BUSH	1					
28	2	119620-79350	NUT	2					
29	2	119620-77490	COLLAR	1					
30	1	26306-100002	NUT, M10	1					
31	1	129795-01900	STUD	1					
32	1	129972-77341	BOLT, ADJUSTER L=50	1					
33	1	129067-77340	SPACER	1					
34	1	119643-66900	DIODE	1					
35	1	119802-77200	RELAY, SAFETY	1					
36	1	128300-77920	TIMER	1					
37	1	129211-77920	TIMER	1					

N:Old $\frac{100}{100}$ New, Q:Old $\frac{100}{100}$ New, R:Old $\frac{100}{100}$ New, S:Old $\frac{100}{100}$ New, W:Add, Z:Discontinued, F:Interchangeable by set, K:Q'ty Change
 Copyright (C) YANMAR CO., LTD. All Rights Reserved.

OCW10-M32100

Fig.17. GASKET SET



Remarks
(1) OPTIONAL PART.

No.	Lev.	Parts No.	Description	Q'ty						I	R	
				(A)	(B)	(C)	(D)	(E)	(F)			
1	1	729407-92910	GASKET SET	1							1	
2	2	129407-01340	GASKET, HEAD	1								
3	2	121850-51960	O-RING	1								
4	2	124460-11340	SEAL, VALVE STEM	4								
5	2	119802-11870	PROTECTOR, NOZZLE	4								
6	2	119625-11880	SEAT, NOZZLE	4								
7	2	129601-11310	GASKET, BONNET	1								
8	2	129150-77511	GASKET	1								
9	2	129550-13110	GASKET	1								
10	2	121400-11340	SEAL, VALVE STEM	4								
11	2	129150-35042	GASKET	1								
12	2	129486-42021	GASKET, WATER PUMP	1								
13	2	129795-49551	GASKET	1								
14	2	129150-49811	GASKET, THERMOSTAT	1								
15	2	124395-49840	GASKET	1								
16	2	22190-080002	WASHER, SEAL 6	2								
17	2	124465-44950	GASKET, 16	2								
18	2	24311-000120	O-RING, 1AP12.0	3								
19	2	24311-000320	O-RING, 1AP32.0	3								
20	2	24341-000240	O-RING, 1AS24.0	1								
21	2	129486-42140	O-RING, G30	1								
22	2	129407-12110	GASKET, MANIFOLD	1								
23	2	129150-35111	GASKET	1								
24	2	22190-220002	WASHER, SEAL 22	1								
25	2	119609-32040	O-RING, P16	4								
26	2	22190-100002	WASHER, SEAL 10	2								
27	2	129400-13201	GASKET, SILENCER	1								
28	2	23414-080000	GASKET, 8X1.0	1								
29	2	171353-26081	GASKET	1								
30	2	24321-000850	O-RING, 1AG85.0	1								
31	2	24311-240100	O-RING, 1AP10A	1								
32	1	129400-92430	HONE	1								1
33	1	977770-1207F	GASKET, LIQUID	1								1

N:Old $\frac{100}{100}$ New, Q:Old $\frac{100}{100}$ New, R:Old $\frac{100}{100}$ New, S:Old $\frac{100}{100}$ New, W:Add, Z:Discontinued, F:Interchangeable by set, K:Qty Change
Copyright (C) YANMAR CO., LTD. All Rights Reserved.

Parts No. Index

Parts No.	Fig. No.	Ref. No.
105025-59580	14	11
105225-59511	14	7
114250-39450	9	6
114250-53080	13	5
114250-53120	13	10
114250-53130	13	11
114250-53140	13	12
114250-53210	13	13
119131-18320	6	5
119160-12060	5	4
119225-52102	14	13
119260-34810	9	35
119593-59581	13	73
119609-32040	2	17
	17	25
119620-01750	3	3
119620-77380	16	4
119620-77421	16	8
119620-77440	16	13
119620-77461	16	15
119620-77471	16	16
119620-77480	16	20
119620-77490	16	29
119620-79200	16	9
119620-79210	16	10
119620-79220	16	11
119620-79230	16	12
119620-79250	16	6
119620-79260	16	18
119620-79280	16	21
119620-79290	16	22
119620-79300	16	23
119620-79310	16	24
119620-79320	16	25
119620-79330	16	26
119620-79340	16	27
119620-79350	16	28
119620-79360	16	7
119625-11880	4	32
	17	6
119640-01640	3	9
119643-66900	16	34
119653-77950	12	129
119660-61901	12	59
119802-01561	2	13
119802-03110	4	43
119802-03121	4	44
119802-03130	4	45
119802-03141	4	46
119802-11260	4	6

Parts No.	Fig. No.	Ref. No.
119802-11270	4	7
119802-11870	4	31
	17	5
119802-21202	8	4
119802-21660	8	8
119802-25051	7	9
119802-25071	7	13
119802-25101	7	10
119802-25901	7	15
119802-32070	2	8
119802-32100	2	7
119802-32111	2	18
119802-32120	2	19
119802-32130	2	20
119802-34850	9	2
119802-35110	9	16
119802-39450	9	8
119802-49113	10	10
119802-49730	10	38
119802-51090	11	11
119802-51560	11	59
119802-51590	11	65
119802-51600	11	66
119802-51680	11	70
119802-51690	11	71
119802-55700	14	14
119802-55710	14	15
119802-55730	14	17
119802-55801	14	2
119802-59550	13	67
119802-59560	13	69
119802-77200	16	35
119803-53400	13	14
119807-61420	12	23
119865-21600	8	14
119934-01800	2	5
119940-59130	9	32
120130-11860	4	29
120270-54410	4	34
121023-01551	2	28
121023-26070	7	8
121111-21501	8	11
121250-44901	10	33
121256-44600	10	48
121400-11340	4	25
	17	10
121450-42450	10	32
121550-23200	8	26
121750-59890	14	12
121850-21680	8	10

Parts No.	Fig. No.	Ref. No.
121850-42410	10	8
121850-51960	2	21
	17	3
123501-79240	16	5
123900-13610	6	3
123900-13630	6	4
124060-01050	1	4
124060-77680	13	74
124160-01751	2	14
	4	39
124160-01910	1	6
	7	7
124160-11360	4	51
124160-39140	9	7
124240-01871	2	15
	33	
124240-01883	2	34
124395-49840	10	17
	17	15
124450-44510	10	43
124450-44530	10	45
124450-44560	10	46
124460-11340	4	26
	17	4
124465-44950	10	34
	35	
	17	17
124722-59050	10	39
	42	
	13	68
	71	
124766-59050	14	5
	9	
128300-77920	16	36
129001-01250	1	5
129001-02931	1	29
129001-32330	2	11
129001-91841	2	22
129004-01190	1	38
129004-03010	4	41
129004-11650	4	9
129004-11900	4	33
129004-42001	10	1
129004-42040	10	15
129004-49610	10	36
129004-49620	10	40
129004-49711	10	37
129004-49721	10	41
129004-55612	14	1
129005-01520	2	12

Parts No.	Fig. No.	Ref. No.
129005-03080	5	1
129005-11100	4	21
129005-22080	8	15
129005-22500	8	17
129005-22900	8	32
129005-22950	8	34
129005-59830	9	9
129006-35100	9	15
129006-44480	9	21
129052-79270	16	19
129064-77330	16	1
129067-77340	16	33
129100-01580	3	1
	8	2
129100-01640	3	16
129100-11112	4	22
129100-23910	8	29
129100-42051	10	3
129100-42121	10	4
129100-55690	14	16
129103-49301	9	22
129120-77502	5	8
129136-77011	15	1
129136-77310	15	2
129136-77520	15	14
129150-01200	1	27
129150-02020	1	9
129150-02450	7	4
129150-02871	1	32
129150-02931	1	24
129150-02941	1	35
129150-03070	4	42
129150-11230	4	10
129150-11280	4	8
129150-11370	4	14
129150-11750	4	12
129150-11810	4	30
129150-14101	7	6
129150-14200	7	1
129150-14400	7	2
129150-23601	8	27
129150-23611	8	30
129150-25301	7	16
129150-35042	9	3
	17	11
129150-35111	9	19
	17	23
129150-35153	9	20
129150-49811	10	28

Parts No. Index

Parts No.	Fig. No.	Ref. No.	Parts No.	Fig. No.	Ref. No.	Parts No.	Fig. No.	Ref. No.	Parts No.	Fig. No.	Ref. No.
129150-49811	17	14	129601-11241	4	3	158552-51670	11	4	22190-180002	11	104
129150-59120	13	41	129601-11251	4	4	158552-51781	11	101			114
129150-59131	13	44	129601-11310	4	48	158552-52100	11	108	22190-220002	3	11
		48		17	7	158552-52310	11	110		17	24
129150-77511	5	9	129601-11350	4	40	158552-52400	11	111	22217-140000	7	19
	17	8	129601-21002	8	1	158552-52500	11	109		11	115
129155-49801	10	27	129601-34801	9	1	158552-61441	12	24	22252-000260	8	22
129155-51280	12	6	129601-51250	11	132	158552-61900	12	77	22312-050140	11	116
129202-22300	8	21	129601-59810	13	50	158553-51551	11	57	22351-030010	8	7
129211-77920	16	37	129601-59820	13	54	158553-51630	11	75	22351-050010	11	117
129240-79300	16	14	129601-59830	13	58	158553-51640	11	77	22351-060012	4	35
129255-61410	12	22	129601-59840	13	62	158553-51660	11	79	22512-070140	7	7
129350-49530	10	29	129602-11700	4	15	158553-51670	11	69		8	5
129400-01730	3	6	129602-12100	5	3	158553-51680	11	80	22857-500100	4	49
129400-01770	3	8	129602-53001	13	2	158553-51770	11	107			50
129400-13101	6	1	129612-01600	3	2	158553-61050	12	3	23061-070230	10	47
129400-13201	6	7	129642-61060	12	86	158553-61070	12	4	23080-015000	9	29
	17	27	129654-21590	8	12	158557-51570	11	62			33
129400-77490	15	12	129655-44740	10	25	158563-51281	11	39	23414-080000	10	18
129400-77571	15	18	129688-01780	3	8 -1			40		17	28
129400-92430	17	32	129795-01780	3	18	158563-51330	11	49	23857-030000	9	10
129407-01340	1	28	129795-01900	16	31	158600-51270	11	38	23857-060000	11	118
	17	2	129795-01950	2	16	158601-51550	11	58	23876-010000	10	12
129407-12110	5	5	129795-02412	1	12	158601-51570	11	63	23876-020000	10	13
	17	22	129795-11120	4	23	158601-51650	11	78	23876-030000	2	3
129410-03990	5	2	129795-11180	4	24	158601-51770	11	100	23876-040000	2	4
129417-33110	9	25	129795-21661	8	9	158601-51790	11	102	23887-120002	11	105
129417-35150	9	17	129795-49551	10	30	171008-03990	9	27		12	65
129418-32320	2	10		17	13			34	24105-060064	7	27
129423-77200	16	2	129900-07900	4	1	171008-77450	15	8	24311-000070	11	120
129423-77710	16	17	129900-32130	2	9	171008-77510	15	13	24311-000120	4	52
129436-35070	9	4 -1	129900-77400	15	3	171008-77540	15	15		17	18
129436-35091	9	4	129900-77440	15	6	171008-77650	15	20	24311-000160	14	19
129484-26200	7	22	129900-77450	15	7	171008-77660	15	24	24311-000320	2	23
129484-26210	7	24			11	171008-77670	15	25			32
129486-01670	3	19	129900-77460	15	9	171008-77750	15	31		4	53
129486-42021	10	14	129900-77480	15	10	171031-11741	2	31		17	19
	17	12	129900-77640	15	19	171051-01921	1	8	24311-240100	9	36
129486-42140	10	16	129916-49740	10	11	171056-49120	9	38		17	31
	17	21	129916-59020	11	130	171353-26081	7	21	24321-000650	14	18
129486-59551	13	70	129950-59311	14	8		17	29	24321-000850	7	28
129508-33010	9	23	129956-59010	14	4	22190-080002	9	11		17	30
129508-33050	9	24	129957-59101	14	6			13	24341-000240	2	29
129508-49030	9	26	129961-59110	14	10			16		17	20
129508-49040	9	30	129972-77341	16	32	22190-100002	9	12	24356-010180	11	121
129509-51390	11	41	158552-51151	7	18		17	26	24356-010200	11	72
129550-13110	6	2	158552-51570	11	60	22190-120000	12	63			122
	17	9			61	22190-120002	11	103	24372-000150	11	73
129550-42350	10	24	158552-51580	11	64			112	25132-003700	10	23
129550-59120	13	45	158552-51600	11	74			113	26106-060102	11	123

Parts No. Index

Parts No.	Fig. No.	Ref. No.
26106-060102	12	53
		67
26106-060122	10	26
26106-060142	12	83
		84
26106-060162	2	30
26106-060202	12	85
26106-060322	15	29
26106-060402	15	30
26106-080122	2	6
	10	19
26106-080142	7	17
26106-080162	2	24
		25
	3	12
	4	2
	9	37
	10	20
	11	133
26106-080202	5	6
	9	18
	11	134
26106-080222	10	31
26106-080252	3	13
	4	36
26106-080302	14	3
26106-080352	3	7
	4	37
	5	10
	9	5
26106-080402	7	14
26106-080452	3	14
		14 -1
	10	21
26106-080502	3	20
	4	38
26106-080552	2	26
	9	5 -1
26106-080602	10	22
26106-080802	5	7
26106-100452	7	29
26116-120252	15	32
26206-100252	3	4
26206-100302	3	5
26226-080182	4	13
26306-080002	2	27
	6	6
26306-100002	16	30
26366-060002	9	14
26450-080282	7	30

Parts No.	Fig. No.	Ref. No.
26450-080452	11	127
26756-060002	12	68
26776-140002	7	20
	11	128
27241-120000	1	13
27241-300000	1	14
27241-400000	4	20
27310-080001	4	27
729005-01500	2	1
729402-14580	7	3
729402-23100	8	23
729407-92910	17	1
729602-01560	1	1
729645-51350	11	1
729645-53100	13	1
977770-1207F	17	33
X2114255110	15	5
X2114555500	15	21
X2114955020	15	22
X2130350900	15	4
X2240410100	15	23
X9490561001	16	3

Parts No.	Fig. No.	Ref. No.
-----------	----------	----------

Parts No.	Fig. No.	Ref. No.
-----------	----------	----------