

0CD50-M04150EN

P R E F A C E

This parts catalog is the 1st edition of 4TNV88-XKFN for Lovol Heavy Industry CO., LTD.

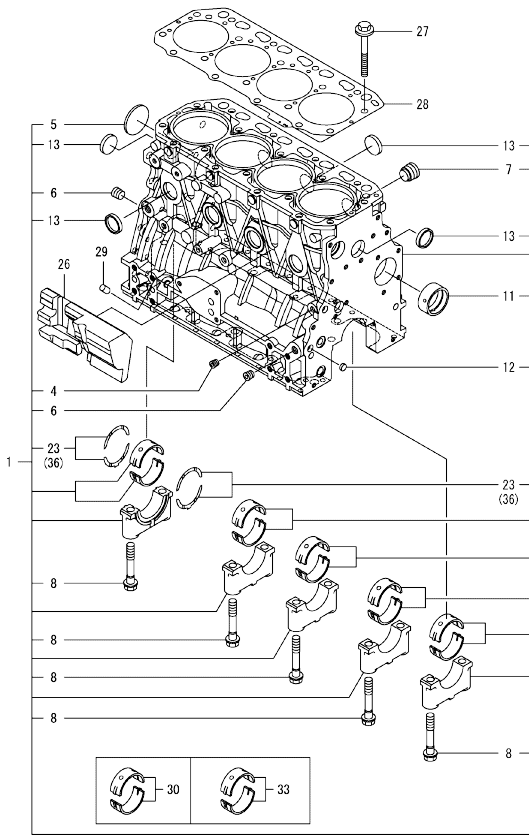
Published : September, 2018

Contents

OCD50-M04150

Fig. No.	Fig. Name	Fig. No.	Fig. Name
ENGINE			
1.	CYLINDER BLOCK		
2.	GEAR HOUSING		
3.	FLYWHEEL HOUSING & OIL SUMP		
4.	CYLINDER HEAD & BONNET		
5.	SUCTION MANIFOLD		
6.	EXHAUST MANIFOLD		
7.	CAMSHAFT & DRIVING GEAR		
8.	CRANKSHAFT & PISTON		
9.	BALANCER		
10.	LUB. OIL SYSTEM		
11.	COOLING WATER SYSTEM		
12.	FUEL INJECTION PUMP		
13.	GOVERNOR		
14.	FUEL INJECTION VALVE		
15.	FUEL PIPE		
16.	STARTER MOTOR		
17.	GENERATOR		
18.	ACCESSORY		

Fig.1. CYLINDER BLOCK



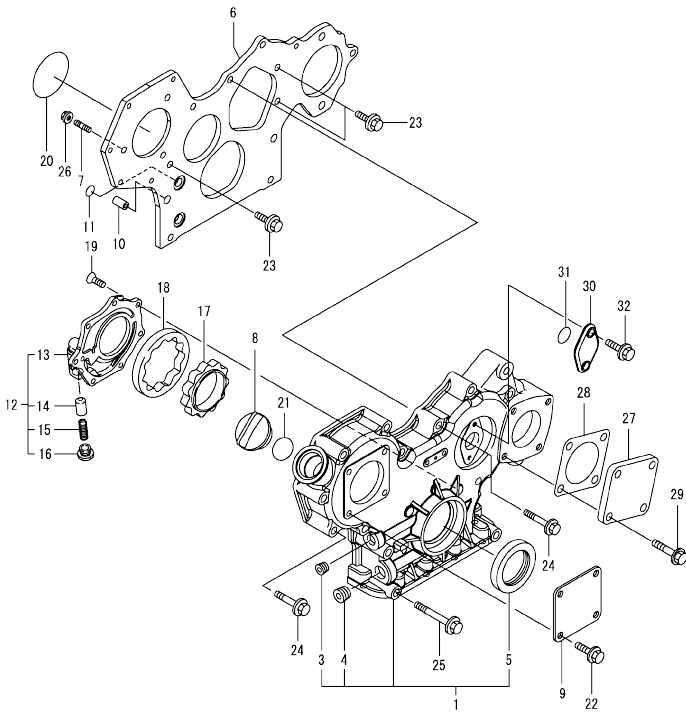
(A)=4TNV88-xxFN
(B)=
(C)=

(D)=
(E)=
(F)=

No.	Lev.	Parts No.	Description	Q'ty						I	R
				(A)	(B)	(C)	(D)	(E)	(F)		
1	1	729659-01570	BLOCK ASSY, CYLINDER	1							
4	2	124060-01050	PLUG, PT1/8	1							
5	2	129001-01250	PLUG, 50	1							
6	2	124160-01910	PLUG, PT1/4	2							
7	2	171051-01921	PLUG, NPTF1	1							
8	2	129150-02020	BOLT, METAL CAP	10							
11	2	129795-02412	BUSH, CAMSHAFT	1							
12	2	27241-120000	PLUG, 12	2							
13	2	27241-300000	PLUG 30	8							
23	2	129150-02931	METAL ASSY, THRUST	2							
26	1	129004-01190	SPACER	1							
27	1	129150-01200	BOLT, CYLINDER HEAD	18							
28	1	129407-01340	GASKET, HEAD	1							
29	1	119309-01810	PLUG	1							
30	1	129001-02931	METAL ASSY, MAIN	5							1
33	1	129150-02871	METAL ASSY, MAIN .25	5							2
36	1	129150-02941	METAL ASSY, 0.25 OS	1							3

Remarks
(1)Spare parts.
(2)Under-sized(U.S.=0.25) parts.
(3)Over-sized(O.S.=0.25) parts.

Fig.2. GEAR HOUSING

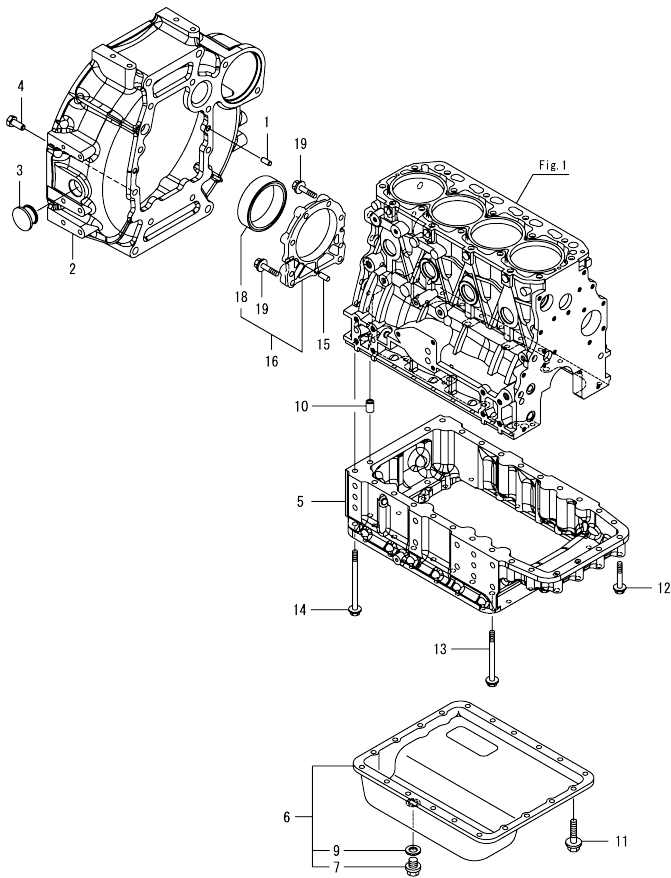


(A)=4TNV88-xxFN
(B)=
(C)=

(D)=
(E)=
(F)=

No.	Lev.	Parts No.	Description	Qty						I	R
				(A)	(B)	(C)	(D)	(E)	(F)		
1	1	729005-01500	CASE ASSY, GEAR	1							
3	2	23876-030000	PLUG, R03	1							
4	2	23876-040000	PLUG, R04	1							
5	2	119934-01800	SEAL, OIL	1							
6	1	129005-01520	FLANGE, GEAR CASE	1							
7	1	119802-01561	STUD, M8X25	3							
8	1	124160-01751	CAP, FILLER	1							
9	1	124240-01871	COVER, HYDRAULIC PUMP	1							
10	1	129795-01950	PIPE, KNOCK L=18	2							
11	1	119609-32040	O-RING, P16	4							
12	1	119802-32100	COVER ASSY, PUMP	1							
13	2	119802-32070	COVER, OIL PUMP	1							
14	2	129900-32130	VALVE, RELIEF	1							
15	2	129418-32320	SPRING	1							
16	2	129001-32330	PLUG	1							
17	1	119802-32111	ROTOR, INNER	1							
18	1	119802-32120	ROTOR, OUTER	1							
19	1	119802-32130	SCREW, M6X16	7							
20	1	121850-51960	O-RING, FUEL PUMP	1							
21	1	24311-000320	O-RING, 1AP32.0	1							
22	1	26106-080162	BOLT, M8X 16 PLATED	4							
23	1	26106-080162	BOLT, M8X 16 PLATED	3							
24	1	26106-080552	BOLT, M8X 55 PLATED	11							
25	1	129001-91841	BOLT, M8X87	3							
26	1	26306-080002	NUT, M8	3							
27	1	124240-01871	COVER, HYDRAULIC PUMP	1							
28	1	129C26-01890	GASKET, PUMP	1							
29	1	26106-080162	BOLT, M8X 16 PLATED	4							
30	1	121023-01551	COVER, TACHOMETER	1							
31	1	24341-000240	O-RING, 1AS24.0	1							
32	1	26106-060162	BOLT, M6X 16 PLATED	2							

Fig.3. FLYWHEEL HOUSING & OIL SUMP

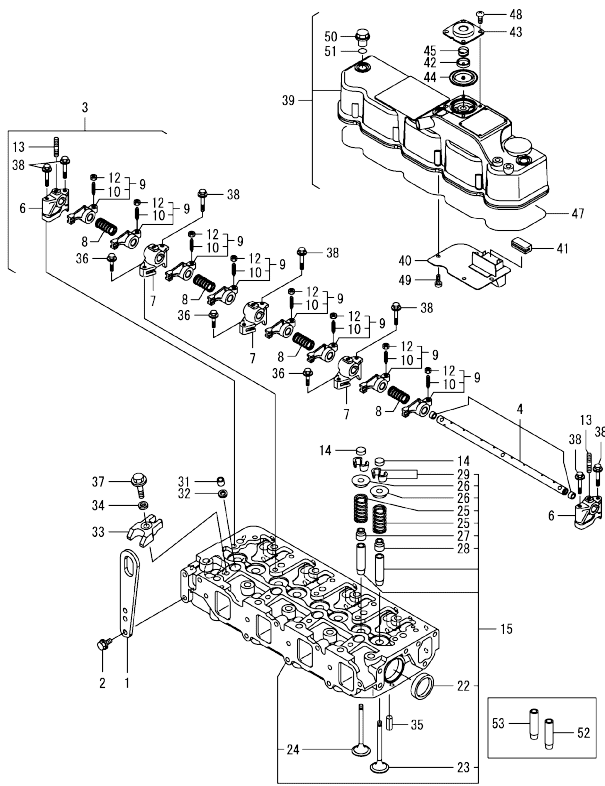


(A)=4TNV88-xxFN
(B)=
(C)=

(D)=
(E)=
(F)=

No.	Lev.	Parts No.	Description	Q'ty						I	R
				(A)	(B)	(C)	(D)	(E)	(F)		
1	1	129100-01580	PIN, PARALLEL 8X16	2							
2	1	129659-01620	HOUSING, FLYWHEEL	1							
3	1	119620-01750	CAP, WHEEL COVER	1							
4	1	26206-100252	BOLT, M10X 25 PLATED	8							
5	1	129550-01702	OIL PAN	1							
6	1	129659-01740	COVER ASSY, OIL PAN	1							
7	2	105425-01690	PLUG, DRAIN M16	1							
9	2	22190-160002	WASHER, SEAL 16	1							
10	1	129555-01750	PIPE, KNOCK 14X19	1							
11	1	26106-080252	BOLT, M8X 25 PLATED	20							
12	1	26106-080502	BOLT, M8X 50 PLATED	8							
13	1	26106-081002	BOLT, M8X100 PLATED	14							
14	1	26106-081202	BOLT, M8X120 PLATED	4							
15	1	129100-01580	PIN, PARALLEL 8X16	2							
16	1	129648-01600	CASE ASSY, OIL SEAL	1							
18	2	129648-01780	SEAL, OIL	1							
19	1	129486-01670	BOLT, M8X30	9							

Fig.4. CYLINDER HEAD & BONNET



(A)=4TNV88-xxFN
(B)=
(C)=

(D)=
(E)=
(F)=

No.	Lev.	Parts No.	Description	Q'ty						I	R
				(A)	(B)	(C)	(D)	(E)	(F)		
1	1	129900-07900	LIFTER, ENGINE	1							
2	1	26106-080162	BOLT, M8X 16 PLATED	2							
3	1	129601-11241	SHAFT ASSY, ROCKER	1							
4	2	129601-11251	SHAFT, ROCKER ARM	1							
6	2	119802-11260	SUPPORT, ROCKER ARM	2							
7	2	119802-11270	SUPPORT, ROCKER ARM	3							
8	2	129150-11280	SPRING, SHAFT	4							
9	2	129004-11650	ARM ASSY, ROCKER	8							
10	3	129150-11230	SCREW, VALVE ADJUST	8							
12	3	129150-11750	NUT, M8XP1.0	8							
13	2	26226-080182	STUD, M8X 18	3							
14	1	129150-11370	CAP, VALVE	8							
15	1	129602-11701	HEAD ASSY, CYLINDER	1							
22	2	27241-400000	PLUG, 40	2							
23	2	129005-11100	VALVE, INTAKE	4							
24	2	129100-11112	VALVE, EXHAUST	4							
25	2	129795-11120	SPRING, VALVE	8							
26	2	129795-11180	RETAINER, SPRING	8							
27	2	121400-11340	SEAL, VALVE STEM	4							
28	2	124460-11340	SEAL, VALVE STEM	4							
29	2	27310-080001	COTTER, 8	8							
31	1	119802-11870	PROTECTOR, NOZZLE	4							
32	1	119625-11880	SEAT, NOZZLE	4							
33	1	129004-11900	RETAINER, NOZZLE	4							
34	1	120270-54410	WASHER, INJECTOR	4							
35	1	22351-060012	PIN, SPRING 6.0X12	2							
36	1	26106-080252	BOLT, M8X 25 PLATED	3							
37	1	26106-080352	BOLT, M8X 35 PLATED	4							
38	1	26106-080502	BOLT, M8X 50 PLATED	7							
39	1	129652-11350	BONNET ASSY, HEAD	1							
40	2	129004-03010	PLATE, BAFFLE	1							
41	2	129150-03070	BAFFLE, BREATHER	1							
42	2	119802-03110	PLATE, DIAPHRAGM	1							
43	2	119802-03121	COVER, DIAPHRAGM	1							
44	2	119802-03130	DIAPHRAGM, BREATHER	1							
45	2	119802-03141	SPRING, DIAPHRAGM	1							
47	2	129601-11310	GASKET, BONNET	1							
48	2	22857-500100	SCREW, 5X10	4							
49	2	22857-500100	SCREW, 5X10	4							
50	1	124160-11360	KNOB, BONNET	3							
51	1	24311-000120	O-RING, 1AP12.0	3							
52	1	120130-11860	GUIDE, VALVE	4							1
53	1	129150-11810	GUIDE, VALVE	4							1

Remarks

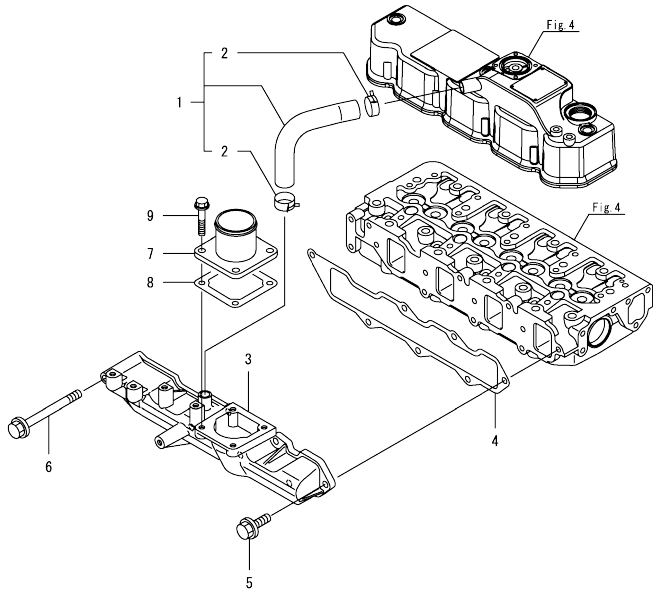
(1)Spare parts.

Fig.5. SUCTION MANIFOLD

(A)=4TNV88-xxFN
(B)=
(C)=

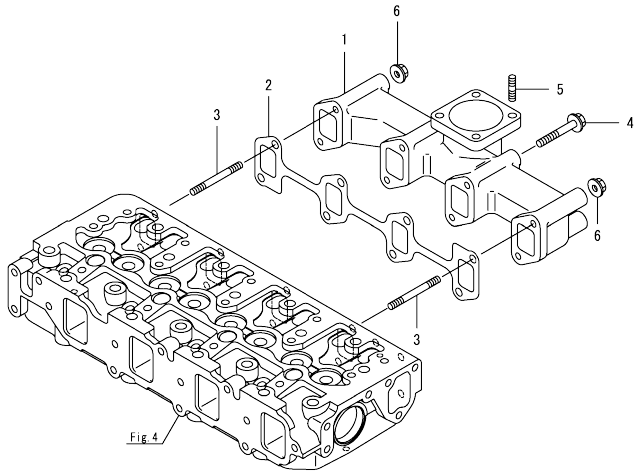
(D)=
(E)=
(F)=

No.	Lev.	Parts No.	Description	Q'ty						I	R
				(A)	(B)	(C)	(D)	(E)	(F)		
1	1	129005-03080	HOSE ASSY, BREATHER	1							
2	2	129410-03990	CLAMP, HOSE 21.5	2							
3	1	129602-12101	MANIFOLD, INTAKE	1							
4	1	129407-12110	GASKET, MANIFOLD	1							
5	1	26106-080202	BOLT, M8X 20 PLATED	6							
6	1	26106-080802	BOLT, M8X 80 PLATED	1							
7	1	129486-12581	JOINT, MANIFOLD	1							
8	1	129150-77511	GASKET, AIR HEATER	1							
9	1	26106-080202	BOLT, M8X 20 PLATED	4							



N:Old $\frac{100}{100}$ New. Q:Old $\frac{100}{100}$ New. R:Old $\frac{100}{100}$ New. S:Old $\frac{100}{100}$ New. W:Add. Z:Discontinued. F:Interchangeable by set. K:Qty Change
Copyright (C) 2018 YANMAR CO., LTD. All Rights Reserved.

Fig.6. EXHAUST MANIFOLD

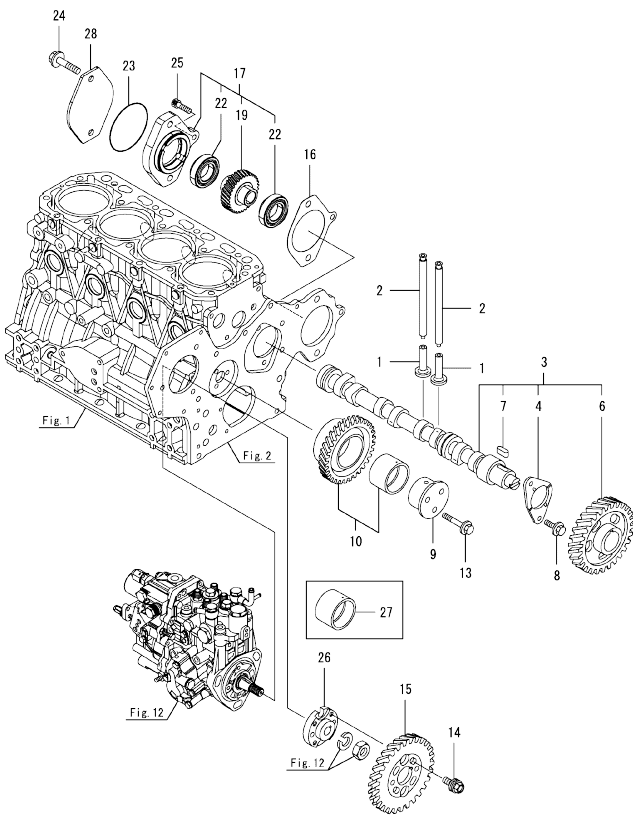


(A)=4TNV88-xxFN
(B)=
(C)=

(D)=
(E)=
(F)=

No.	Lev.	Parts No.	Description	Q'ty						I	R
				(A)	(B)	(C)	(D)	(E)	(F)		
1	1	129411-13100	MANIFOLD, EXHAUST	1	1						
2	1	129550-13110	GASKET, MANIFOLD	1	1						
3	1	123900-13610	STUD, M8X80	2	2						
4	1	129E00-13640	BOLT, M8X80 10.9T	6	6						
5	1	119131-18320	STUD, M8X22	4	4						
6	1	26306-080002	NUT, M8	2	2						

Fig.7. CAMSHAFT & DRIVING GEAR



(A)=4TNV88-xxFN
(B)=
(C)=

(D)=
(E)=
(F)=

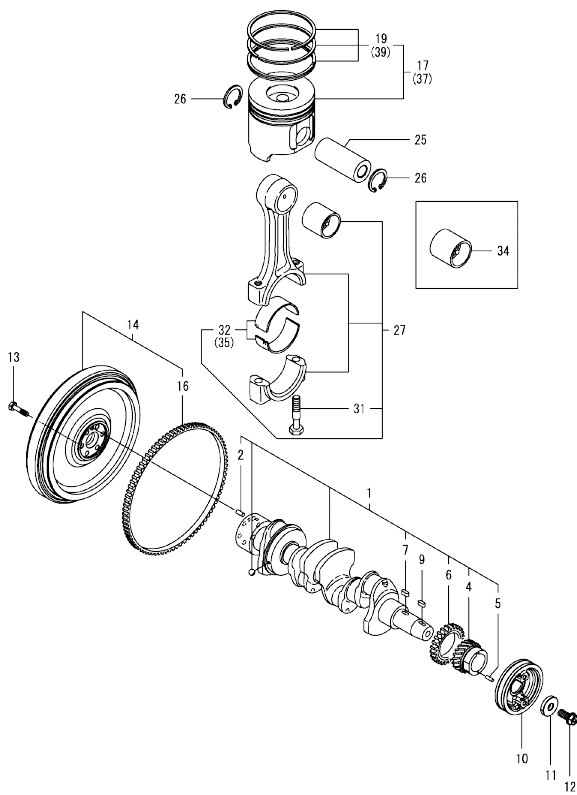
No.	Lev.	Parts No.	Description	Q'ty						I	R
				(A)	(B)	(C)	(D)	(E)	(F)		
1	1	129150-14200	TAPPET	8							
2	1	129150-14400	ROD, PUSH L=178	8							
3	1	729402-14580	CAMSHAFT ASSY	1							
4	2	129150-02450	METAL, THRUST	1							
6	2	129150-14101	GEAR, CAMSHAFT	1							
7	2	22512-070140	KEY, 7X 14	1							
8	1	26106-080142	BOLT, M8X 14 PLATED	2							
9	1	119802-25051	SHAFT, IDLE GEAR	1							
10	1	119802-25101	GEAR ASSY, IDLE	1							
13	1	26106-080402	BOLT, M8X 40 PLATED	3							
14	1	129150-25301	BOLT, INJECTION PUMP	4							
15	1	119802-25901	GEAR, PUMP	1							
16	1	171353-26081	GASKET, PUMP	1							
17	1	129484-26200	DRIVE ASSY, PUMP	1							
19	2	129484-26210	GEAR ASSY, PUMP	1							
22	2	24105-060064	BEARING, BALL 6006Z	2							
23	1	24321-000850	O-RING, 1AG85.0	1							
24	1	26106-100452	BOLT, M10X 45 PLATED	2							
25	1	26450-080282	BOLT, M8X 28	1							
26	1	158552-51151	FLANGE, CAMSHAFT	1							
27	1	119802-25071	BUSH, IDLE GEAR	1							
28	1	121023-26071	COVER, PUMP	1							W

(A)=E131220)

Remarks

(1)Spare parts.

Fig.8. CRANKSHAFT & PISTON



(A)=4TNV88-xxFN
(B)=
(C)=

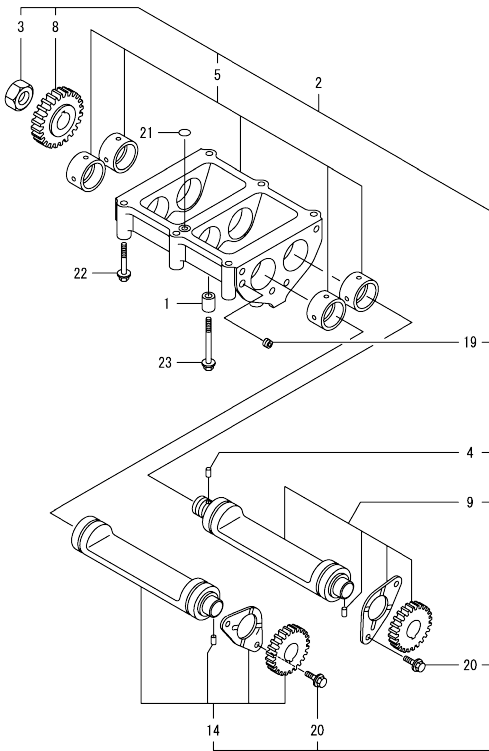
(D)=
(E)=
(F)=

No.	Lev.	Parts No.	Description	Q'ty						I	R
				(A)	(B)	(C)	(D)	(E)	(F)		
1	1	129657-21002	CRANKSHAFT ASSY	1							
2	2	129100-01580	PIN, PARALLEL 8X16	1							
4	2	119802-21202	GEAR, CRANKSHAFT	1							
5	2	121850-21290	PIN, CRANK GEAR	1							
6	2	129400-28121	GEAR, BALANCER	1							
7	2	22512-070140	KEY, 7X 14	1							
9	1	22512-070140	KEY, 7X 14	1							
10	1	129623-21650	V-PULLEY, CRANKSHAFT	1							
11	1	129795-21661	WASHER, 14	1							
12	1	121850-21680	BOLT, V-PULLEY	1							
13	1	124160-21501	BOLT, FLYWHEEL	6							
14	1	129659-21520	FLYWHEEL ASSY	1							
16	2	124550-21600	GEAR, RING Z=127	1							
17	1	129005-22080	PISTON ASSY	4							
19	2	129005-22500	RING SET, PISTON	4							
25	1	129202-22300	PIN, PISTON D26 L70	4							
26	1	22252-000260	RING, 26	8							
27	1	729402-23100	ROD ASSY, CONNECTING	4							
31	2	121550-23200	BOLT, CONNECTING ROD	8							
32	2	129150-23601	METAL ASSY, CRANK PIN	4							
34	1	129100-23910	METAL, PISTON PIN	4							1
35	1	129150-23611	METAL, CRANK PIN .25	4							2
37	1	129005-22900	PISTON ASSY, 0.25 OS	4							3
39	2	129005-22950	RING SET, PISTON .25	4							3

Remarks
(1)Spare parts.
(2)Under-sized(U.S.=0.25) parts.
(3)Over-sized(O.S.=0.25) parts.

OCD50-M04150 ENGINE
 Fig.9. BALANCER

OCD50-M04150 Fig.9



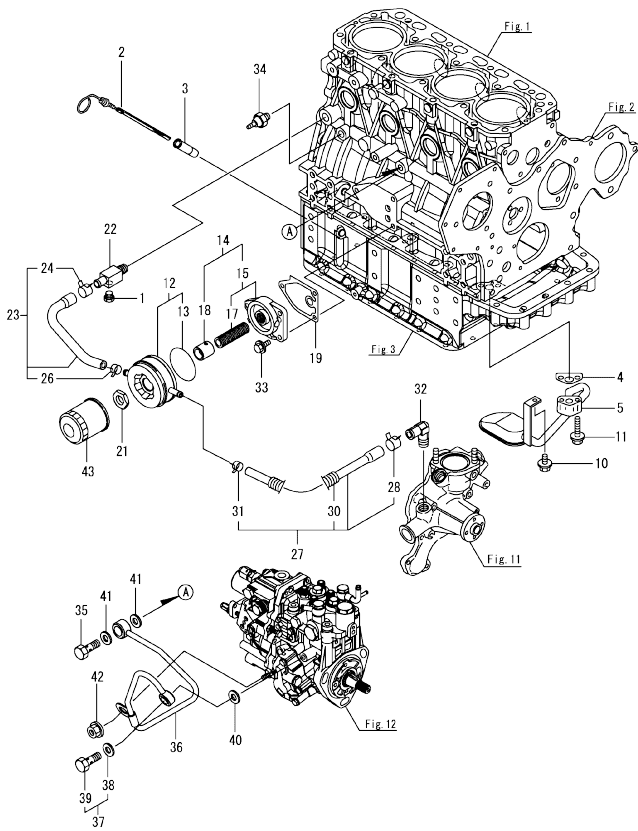
(A)=4TNV88-xxFN
 (B)=
 (C)=

(D)=
 (E)=
 (F)=

No.	Lev.	Parts No.	Description	Q'ty						I	R
				(A)	(B)	(C)	(D)	(E)	(F)		
1	1	129795-01960	PIPE, KNOCK 11X12	2							
2	1	129457-28000	BALANCER ASSY	1							
3	2	128170-14150	NUT, CAM	1							
4	2	121850-21290	PIN, CRANK GEAR	1							
5	2	129457-28011	CASE ASSY, BALANCER	1							
8	2	129400-28150	GEAR, BALANCER A	1							
9	2	729490-28510	SHAFT ASSY, BALANCER	1							
14	2	729490-28520	SHAFT ASSY, BALANCER	1							
19	2	23876-005000	PLUG, R005	1							
20	2	26106-080142	BOLT, M8X 14 PLATED	4							
21	1	24311-000140	O-RING, 1AP14.0	1							
22	1	26106-080602	BOLT, M8X 60 PLATED	4							
23	1	26106-080802	BOLT, M8X 80 PLATED	2							

N:Old $\frac{New}{Old}$ New. Q:Old $\frac{New}{Old}$ New. R:Old $\frac{New}{Old}$ New. S:Old $\frac{New}{Old}$ New. W:Add. Z:Discontinued. F:Interchangeable by set. K:Q'ty Change
 Copyright (C) 2018 YANMAR CO., LTD. All Rights Reserved.

Fig.10. LUB. OIL SYSTEM



(A)=4TNV88-xxFN
(B)=
(C)=

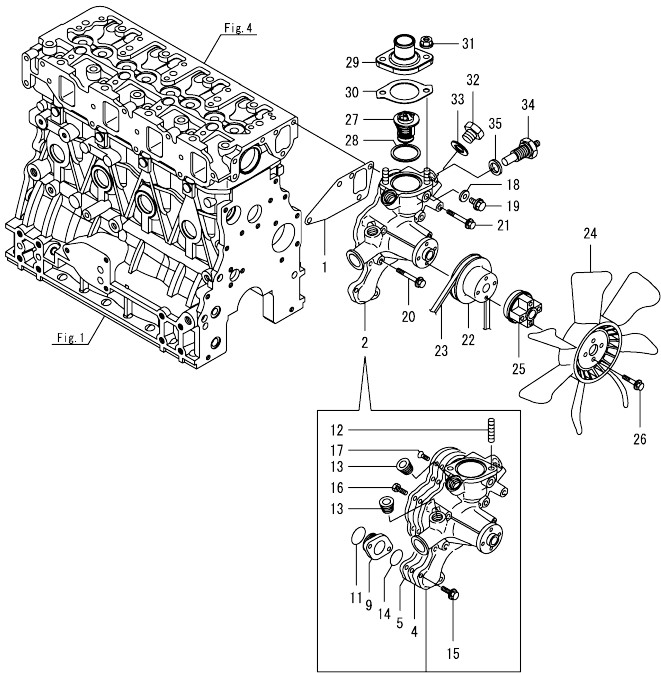
(D)=
(E)=
(F)=

No.	Lev.	Parts No.	Description	Q'ty						I	R
				(A)	(B)	(C)	(D)	(E)	(F)		
1	1	171056-49120	PLUG, DRAIN R1/4	1							
2	1	129457-34800	DIPSTICK, OIL	1							
3	1	121520-34810	GUIDE, DIPSTICK	1							
4	1	129150-35042	GASKET, INLET PIPE	1							
5	1	129550-35090	PIPE ASSY, OIL INLET	1							
10	1	26106-080122	BOLT, M8X 12 PLATED	1							
11	1	26106-080352	BOLT, M8X 35 PLATED	2							
12	1	129508-33031	COOLER ASSY, OIL	1							
13	2	129508-33060	GASKET, COOLER	1							
14	1	129508-35100	BRACKET ASSY, LO FILT	1							
15	2	129006-35100	BRACKET ASSY, FILTER	1							
17	3	129417-35150	STUD, M20X67	1							
18	2	129508-35150	COLLAR, OIL-COOLER	1							
19	1	129150-35111	GASKET, BRACKET	1							
21	1	124085-35350	NUT, M20	1							
22	1	129006-44480	JOINT, R02	1							
23	1	129508-49030	HOSE ASSY, COOLER IN	1							
24	2	171008-03990	CLAMP, HOSE 18.5	1							
26	2	23080-015000	CLAMP, 15	1							
27	1	129508-49040	HOSE ASSY, COOLER OUT	1							
28	2	171008-03990	CLAMP, HOSE 18.5	1							
30	2	119940-59130	TUBE, CORRUGATED 19	1							
31	2	23080-015000	CLAMP, 15	1							
32	1	129103-49301	ELBOW, PT1/4	1							
33	1	26106-080202	BOLT, M8X 20 PLATED	3							
34	1	114250-39450	SWITCH, HYDRAULIC	1							
35	1	124160-39140	BOLT, PIPE JOINT M10	1							
36	1	119802-39450	PIPE ASSY, OIL	1							
37	1	129005-59830	BOLT ASSY, JOINT M8	1							
38	2	22190-080002	WASHER, SEAL 8	1							
39	2	23857-030000	BOLT, JOINT 3	1							
40	1	22190-080002	WASHER, SEAL 8	1							
41	1	22190-100002	WASHER, SEAL 10	2							
42	1	26366-060002	NUT, M6	1							
43	1	119005-35151	FILTER, OIL D80X100	1							1

Remarks

(1)Spare parts.

Fig.11. COOLING WATER SYSTEM

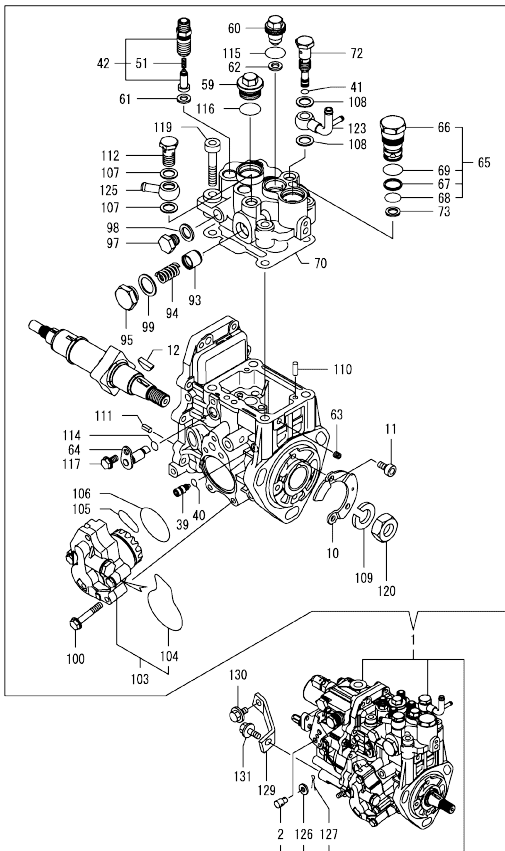


(A)=4TNV88-xxFN
(B)=
(C)=

(D)=
(E)=
(F)=

No.	Lev.	Parts No.	Description	Q'ty						I	R
				(A)	(B)	(C)	(D)	(E)	(F)		
1	1	129486-42050	GASKET, WATER PUMP	1							
2	1	129659-42050	PUMP ASSY, WATER	1							
4	2	129150-42059	GASKET	1							
5	2	129263-42120	PLATE, PUMP	1							
9	2	129150-42301	FLANGE	1							
11	2	129054-42320	O-RING	1							
12	2	129555-44750	STUD, M8X30	2							
13	2	129916-49740	PLUG, R3/8	2							
14	2	24358-240310	O-RING, 524031	1							
15	2	26106-060202	BOLT, M6X 20 PLATED	2							
16	2	26116-060162	BOLT, M6X 16 PLATED	3							
17	2	26577-060142	SCREW M 6X 14	3							
18	1	23414-080000	GASKET, 8X1.0	1							
19	1	26106-080122	BOLT, M8X 12 PLATED	1							
20	1	26106-080552	BOLT, M8X 55 PLATED	3							
21	1	26106-080602	BOLT, M8X 60 PLATED	1							
22	1	129403-42380	V-PULLEY, PUMP	1							
23	1	25132-004000	V-BELT, A40	1							
24	1	129640-44741	FAN, COOLING D380	1							
25	1	129030-44760	SPACER, FAN L38.5	1							
26	1	26106-060502	BOLT, M6X 50 PLATED	4							
27	1	129155-49801	THERMOSTAT, 71C	1							
28	1	129150-49811	GASKET, THERMOSTAT	1							
29	1	129350-49530	COVER, THERMOSTAT	1							
30	1	129795-49551	GASKET, COVER	1							
31	1	26306-080002	NUT, M8	2							
32	1	121450-42450	PLUG, M16	1							
33	1	124465-44950	GASKET, 16	1							
34	1	124250-49351	SENSOR, WATER TEMP.	1							
35	1	129150-49360	GASKET, 10	1							

Fig.12. FUEL INJECTION PUMP



(A)=4TNV88-xxFN
(B)=
(C)=

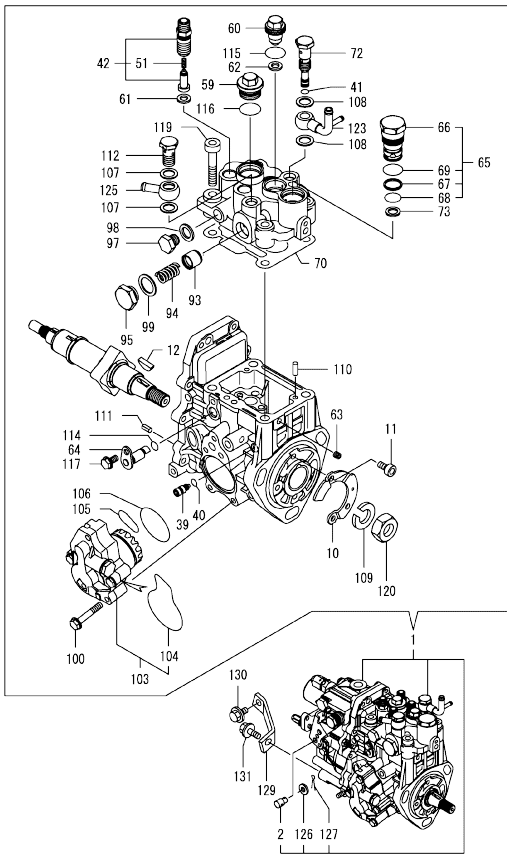
(D)=
(E)=
(F)=

No.	Lev.	Parts No.	Description	Q'ty						I	R	
				(A)	(B)	(C)	(D)	(E)	(F)			
1	1	729659-51380	INJECTION PUMP ASSY	1							1	
2	2	194150-01370	ADJUSTER	1								
10	2	129008-51900	COVER, PUMP	1								
11	2	129008-51920	BOLT, M6X10	2								
12	2	119802-51090	KEY, FEATHER 4X16	1								
39	2	158600-51270	STOPPER, TAPPET	1								
40	2	158563-51281	O-RING, 4D S6	1								
41	2	158563-51281	O-RING, 4D S6	1								
42	2	129509-51390	VALVE ASSY, DELIVERY	4								
51	3	158563-51330	SPRING, DELIVERY	4								
59	2	158601-51550	PLUG, M22	1								
60	2	119802-51560	PLUG, BARREL M14	1								
61	2	158552-51571	GASKET, BARREL PLUG	4								
62	2	158552-51571	GASKET, BARREL PLUG	1								
63	2	158557-51570	PLUG, RACK	1								
64	2	158552-51580	LIFTER, LINK	1								
65	2	129271-51590	PLUG SET, TIMER	1								
66	3	129271-51600	PLUG, TIMER	1								
67	3	119802-51680	RING, BACKUP	1								
68	3	119802-51690	O-RING, 1016	1								
69	3	24356-190200	O-RING, 4D19020	1								
70	2	158552-51600	GASKET, HEAD	1								
72	2	158601-51650	JOINT, OVERFLOW	1								
73	2	158553-51680	GASKET, TIMER	1								
93	2	158601-51770	PISTON, ACCUMULATOR	1								
94	2	158552-51781	SPRING, ACCUMULATOR	1								
95	2	158601-51790	PLUG, ACCUMULATOR	1								
97	2	158553-51930	PLUG, M12	1								
98	2	22190-120002	WASHER, SEAL 12	1								
99	2	22190-180002	WASHER, SEAL 18	1								
100	2	158553-51770	BOLT	4								
103	2	158552-52100	PUMP ASSY, FUEL FEED	1								
104	3	158552-52500	O-RING, PUMP INNER	1								
105	2	158552-52311	O-RING, FEED PUMP	1								
106	2	158552-52400	O-RING, 4E S42	1								
107	2	22190-120002	WASHER, SEAL 12	2								
108	2	22190-120002	WASHER, SEAL 12	2								
109	2	22217-140000	WASHER, SPRING 14	1								
110	2	22312-050140	PIN, PARALLEL 5X14	2								
111	2	22351-050010	PIN, SPRING 5.0X10	2								
112	2	23857-060000	BOLT, JOINT 6	1								
114	2	24311-000070	O-RING, 1AP7.0	1								
115	2	24356-190180	O-RING, 4D19018	1								
116	2	24356-190200	O-RING, 4D19020	1								
117	2	26106-060102	BOLT, M6X 10 PLATED	1								
119	2	26450-080452	BOLT, M8X 45	4								
120	2	26776-140002	NUT, LOCK M14	1								
123	2	158552-51670	JOINT, OVERFLOW	1								
125	2	129916-59020	JOINT, PIPE 12	1								
126	2	22137-080000	WASHER, 8	1								
127	2	22417-160180	PIN, COTTER 1.6X18	1								

Remarks

(1)Governor(Fig.13) is incorporated in this Fuel Injection Pump(No.1).

Fig.12. FUEL INJECTION PUMP



(A)=4TNV88-xxFN
(B)=
(C)=

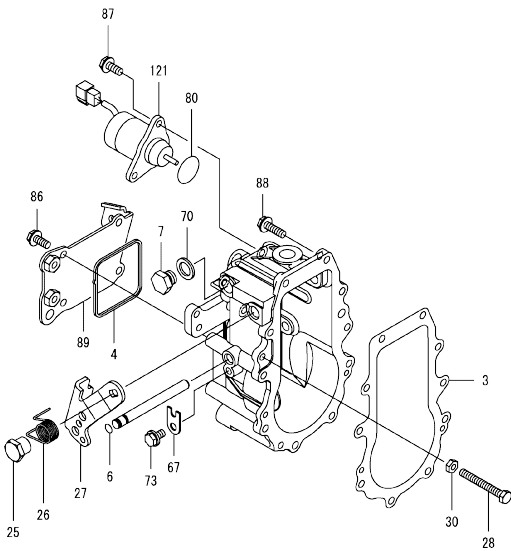
(D)=
(E)=
(F)=

No.	Lev.	Parts No.	Description	Q'ty					
				(A)	(B)	(C)	(D)	(E)	(F)
129	1	129601-51250	RETAINER, FUEL PUMP	1					
130	1	26106-080162	BOLT, M8X 16 PLATED	1					
131	1	26106-080202	BOLT, M8X 20 PLATED	1					

Remarks

(1)Governor(Fig.13) is incorporated in this Fuel Injection Pump(No.1).

Fig.13. GOVERNOR



(A)=4TNV88-xxFN
(B)=
(C)=

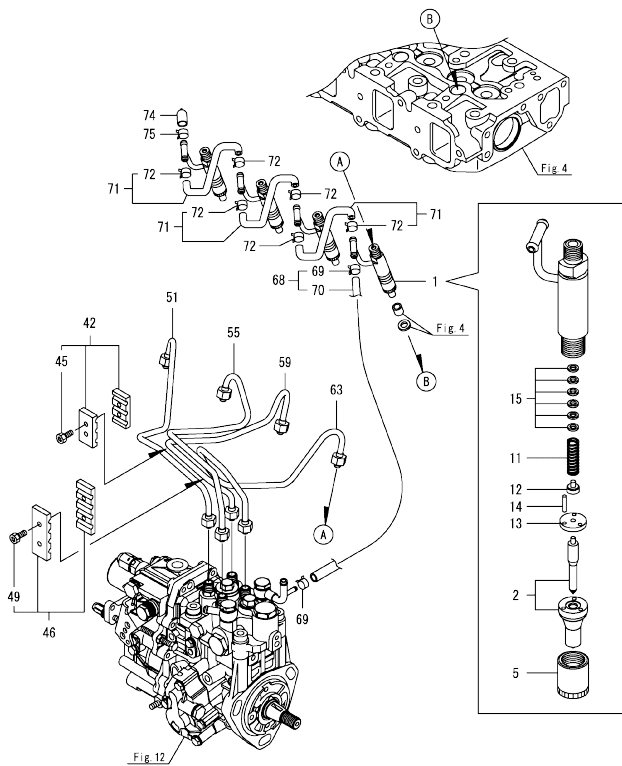
(D)=
(E)=
(F)=

No.	Lev.	Parts No.	Description	Q'ty					
				(A)	(B)	(C)	(D)	(E)	(F)
3	2	158553-61050	GASKET, CASE	1					
4	2	158553-61070	GASKET, CASE	1					
6	2	129155-51280	O-RING, S6	1					
7	2	158553-51930	PLUG, M12	1					
25	2	129255-61410	NUT, CONTROL LEVER	1					
26	2	119807-61420	SPRING, RETURN	1					
27	2	158552-61441	LEVER, REGULATOR	1					
28	2	129155-61461	BOLT, IDLE LIMIT	1					
30	2	119740-61470	NUT	1					
67	2	119660-61901	STOPPER, SHAFT	1					
70	2	22190-120002	WASHER, SEAL 12	1					
73	2	26106-060102	BOLT, M6X 10 PLATED	1					
80	2	158552-61900	O-RING	1					
86	2	26106-060122	BOLT, M6X 12 PLATED	4					
87	2	26106-060122	BOLT, M6X 12 PLATED	2					
88	2	26106-060202	BOLT, M6X 20 PLATED	10					
89	2	158552-61061	COVER, GOVERNOR CASE	1					
121	2	129630-77900	SOLENOID, STOP	1					

Remarks

* This figure(Governor) is incorporated in the Fuel Injection Pump(Fig.12).

Fig.14. FUEL INJECTION VALVE



(A)=4TNV88-xxFN
(B)=
(C)=

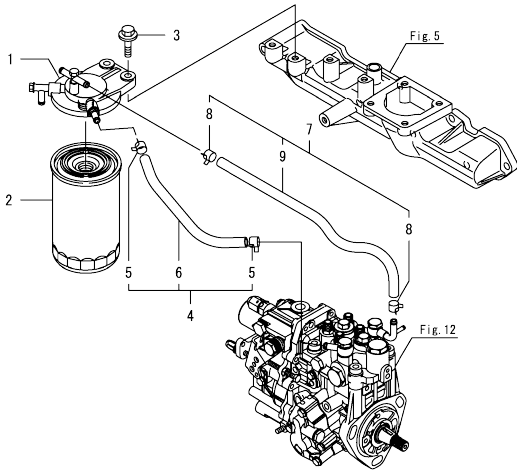
(D)=
(E)=
(F)=

No.	Lev.	Parts No.	Description	Q'ty						I	R
				(A)	(B)	(C)	(D)	(E)	(F)		
1	1	729004-53101	VALVE ASSY, INJECTION	4							
2	2	129004-53001	VALVE ASSY, INJECTION	4							
5	2	114250-53080	NUT, NOZZLE	4							
11	2	114250-53120	SPRING, NOZZLE	4							
12	2	114250-53130	SEAT, SPRING	4							
13	2	114250-53140	SPACER, VALVE STOP	4							
14	2	114250-53210	PIN, POSITIONING	8							
15	2	119803-53400	SHIM SET	4							1
42	1	129150-59120	RETAINER, PIPE	1							
45	2	129150-59131	BOLT, M4X14	2							
46	1	129550-59120	RETAINER, PIPE	1							
49	2	129150-59131	BOLT, M4X14	2							
51	1	129601-59810	PIPE ASSY, INJECTION	1							
55	1	129601-59820	PIPE ASSY, INJECTION	1							
59	1	129601-59830	PIPE ASSY, INJECTION	1							
63	1	129601-59840	PIPE ASSY, INJECTION	1							
68	1	119802-59550	HOSE ASSY, RETURN	1							
69	2	124722-59050	CLAMP, HOSE 9	2							
70	2	119802-59560	HOSE, FUEL RETURN	1							
71	1	129486-59551	HOSE ASSY, RETURN	3							
72	2	124722-59050	CLAMP, HOSE 9	6							
74	1	119593-59581	CAP, RETURN PIPE	1							
75	1	124060-77680	CLAMP, HOSE 10	1							

Remarks

(1)Spare parts.

Fig.15. FUEL PIPE

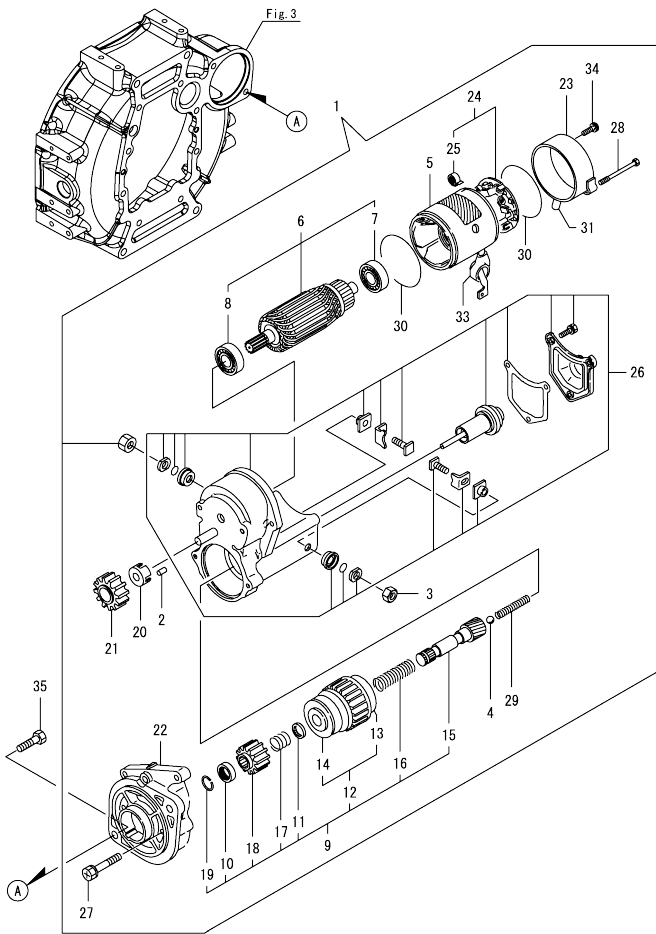


(A)=4TNV88-xxFN
(B)=
(C)=

(D)=
(E)=
(F)=

No.	Lev.	Parts No.	Description	Q'ty					
				(A)	(B)	(C)	(D)	(E)	(F)
1	1	129004-55612	BRACKET, FILTER	1					
2	1	129907-55801	FILTER, FUEL	1					
3	1	26106-080302	BOLT, M8X 30 PLATED	2					
4	1	129210-59090	HOSE ASSY, FUEL L290	1					
5	2	124766-59050	CLAMP, HOSE 11.5	2					
6	2	105325-59570	PIPE, FUEL	1					
7	1	129210-59150	HOSE ASSY, FUEL L400	1					
8	2	124766-59050	CLAMP, HOSE 11.5	2					
9	2	105025-59530	HOSE, FUEL D13X400	1					

Fig.16. STARTER MOTOR

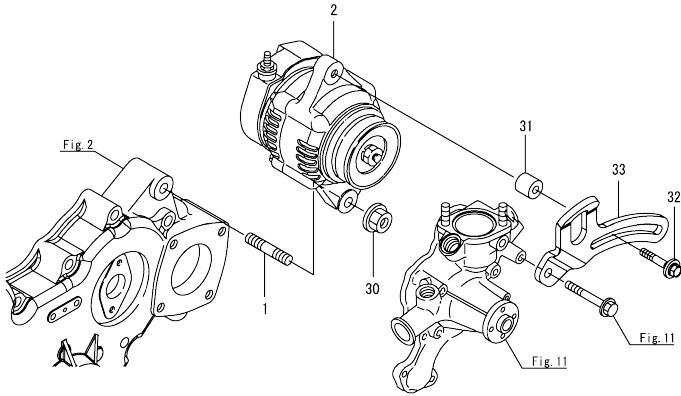
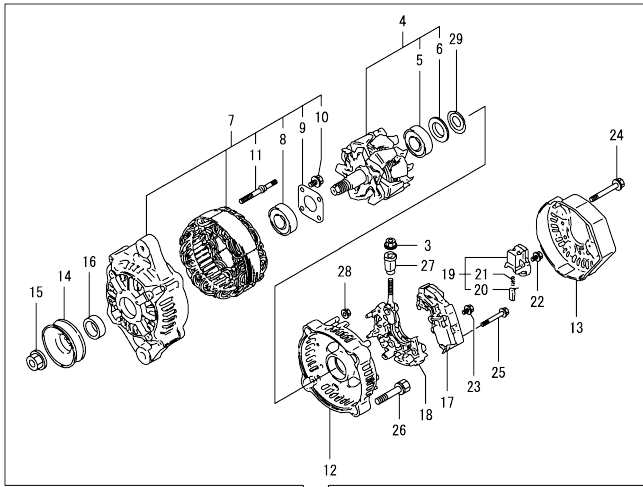


(A)=4TNV88-xxFN
(B)=
(C)=

(D)=
(E)=
(F)=

No.	Lev.	Parts No.	Description	Q'ty						I	R
				(A)	(B)	(C)	(D)	(E)	(F)		
1	1	129407-77010	STARTER, RA1.4	1							
2	2	X0283060061	ROLLER	5							
3	2	X9490561370	NUT	1							
4	2	X9491200240	BALL, STEEL	1							
5	2	129407-77210	YOKE ASSY	1							
6	2	129407-77220	ARMATURE ASSY	1							
7	3	129129-77230	BEARING, BALL	1							
8	3	129129-77240	BEARING, BALL	1							
9	2	129407-77250	STARTER	1							
10	3	X0280210230	NUT, PINION STOP	1							
11	3	X0283270140	RETAINER, SNAP	1							
12	3	129407-77390	CLUTCH ASSY, STARTER	1							
13	4	129129-77440	BEARING, BALL	1							
14	4	129129-77450	BEARING, BALL	1							
15	3	129129-77400	SHAFT, STARTER	1							
16	3	129129-77410	SPRING, COIL	1							
17	3	129407-77410	SPRING, COIL	1							
18	3	129129-77420	PINION, STARTER	1							
19	3	129129-77430	RING, SNAP	1							
20	2	129129-77260	RETAINER	1							
21	2	129129-77270	PINION	1							
22	2	129407-77280	HOUSING, STARTOR	1							
23	2	129129-77290	FRAME, STARTER END	1							
24	2	129407-77300	HOLDER ASSY	1							
25	3	X9491730461	SPRING, BRUSH	4							
26	2	129407-77310	SWITCH ASSY, MAGNET	1							
27	2	129129-77320	BOLT, WWASHER	2							
28	2	129407-77330	BOLT	2							
29	2	129129-77340	SPRING	1							
30	2	129129-77350	O-RING	2							
31	2	129129-77362	COVER	1							
33	2	129129-77380	CAP	1							
34	2	129129-77460	SCREW	2							
35	1	26106-120252	BOLT, M12X 25 PLATED	2							

Fig.17. GENERATOR

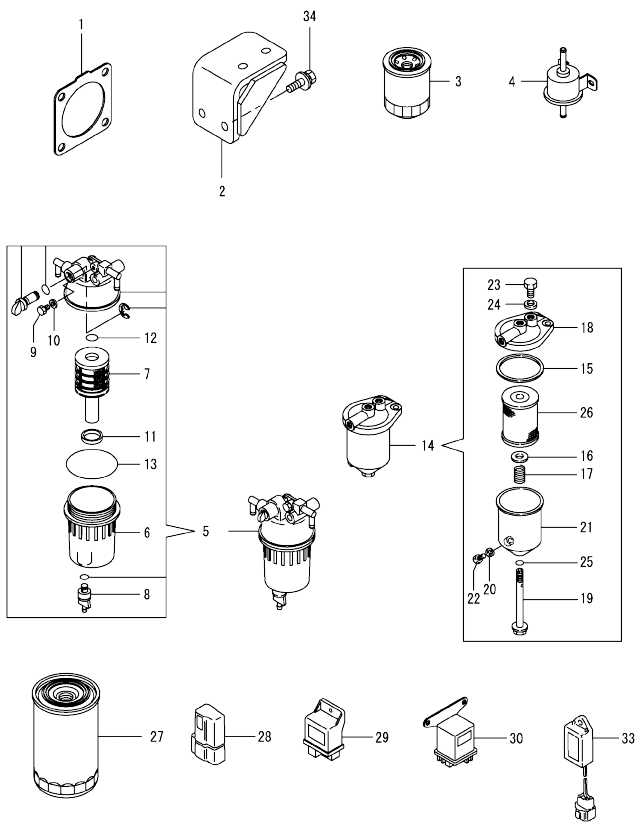


(A)=4TNV88-xxFN
(B)=
(C)=

(D)=
(E)=
(F)=

No.	Lev.	Parts No.	Description	Q'ty						I	R
				(A)	(B)	(C)	(D)	(E)	(F)		
1	1	129795-01900	BOLT, M10X30	1							
2	1	129423-77210	ALTERNATOR, 12V-40A	1							
3	2	X9490561001	NUT	1							
4	2	119620-77380	ROTOR ASSY	1							
5	3	123501-79240	BEARING, BALL	1							
6	3	119620-79250	COVER, BEARING	1							
7	2	119620-77421	FRAME ASSY, DRIVE	1							
8	3	119620-79200	BEARING, BALL	1							
9	3	119620-79210	PLATE, RETAINER	1							
10	3	119620-79220	SCREW	4							
11	3	119620-79230	STUD	2							
12	2	119620-77440	FRAME ASSY, REAR	1							
13	2	129240-79300	COVER	1							
14	2	119620-77461	PULLEY, GENERATOR	1							
15	2	119620-77471	NUT	1							
16	2	119620-77490	COLLAR	1							
17	2	129423-77720	REGULATOR ASSY	1							
18	2	119620-79260	HOLDER ASSY	1							
19	2	129052-79270	HOLDER ASSY, BRUSH	1							
20	3	119620-77480	BRUSH ASSY, SUB	2							
21	3	119620-79280	SPRING	2							
22	2	119620-79290	SCREW	6							
23	2	119620-79300	SCREW	1							
24	2	119620-79310	BOLT	3							
25	2	119620-79320	SCREW, WWASHER	2							
26	2	119620-79330	BOLT	2							
27	2	119620-79340	BUSH, INSULATION	1							
28	2	119620-79350	NUT	2							
29	2	119620-79360	WASHER, THRUST	1							
30	1	26306-100002	NUT, M10	1							
31	1	124732-77340	SPACER, ADJUSTER	1							
32	1	129972-77341	BOLT, ADJUSTER L=50	1							
33	1	129659-77350	ADJUSTER, BELT	1							

Fig.18. ACCESSORY



(A)=4TNV88-xxFN
(B)=
(C)=

(D)=
(E)=
(F)=

No.	Lev.	Parts No.	Description	Q'ty						I	R
				(A)	(B)	(C)	(D)	(E)	(F)		
1	1	129930-13201	GASKET, SILENCER	1							
2	1	129659-13680	STAY, SILENCER	1							
3	1	119005-35151	FILTER, OIL D80X100	1							
4	1	129612-52100	PUMP, FUEL FEED	1							
5	1	129242-55701	SEPARATOR ASSY,WATER	1							
6	2	129242-55720	CUP, SEPARATOR	1							
7	2	129242-55730	ELEMENT, FUEL FILTER	1							
8	2	129242-55740	PLUG, DRAIN	1							
9	2	129242-55750	VALVE, AIR VENT	1							
10	2	129242-55760	GASKET, PLUG	1							
11	2	129242-55770	FLOAT	1							
12	2	24311-000160	O-RING, 1AP16.0	1							
13	2	24321-000750	O-RING, 1AG75.0	1							
14	1	129065-55750	SEPARATOR ASSY,WATER	1							
15	2	123325-35140	GASKET, COVER	1							
16	2	123325-35160	SEAT, SPRING	1							
17	2	129065-55170	SPRING, FILTER	1							
18	2	129495-55610	BODY, STRAINER	1							
19	2	129495-55620	BOLT, CENTER	1							
20	2	123672-55760	GASKET	1							
21	2	129065-55760	CASE, SEPARATOR	1							
22	2	129065-55770	PLUG, DRAIN M8	1							
23	2	129065-55800	PLUG, M14	1							
24	2	123678-55890	GASKET, PLUG	1							
25	2	24311-000120	O-RING, 1AP12.0	1							
26	2	41650-550800	ELEMENT, FUEL	1							
27	1	129907-55801	FILTER, FUEL	1							
28	1	119643-66900	DIODE	1							
29	1	119802-77200	RELAY, SAFETY	1							
30	1	119650-77911	RELAY ASSY, GLOW	1							
33	1	129211-77920	TIMER, SECTION 1	1							
34	1	26014-080222	BOLT, M8X 22	2							

Parts No. Index

Parts No.	Fig. No.	Ref. No.
105025-59530	15	9
105325-59570	15	6
105425-01690	3	7
114250-39450	10	34
114250-53080	14	5
114250-53120	14	11
114250-53130	14	12
114250-53140	14	13
114250-53210	14	14
119005-35151	10	43
	18	3
119131-18320	6	5
119309-01810	1	29
119593-59581	14	74
119609-32040	2	11
119620-01750	3	3
119620-77380	17	4
119620-77421	17	7
119620-77440	17	12
119620-77461	17	14
119620-77471	17	15
119620-77480	17	20
119620-77490	17	16
119620-79200	17	8
119620-79210	17	9
119620-79220	17	10
119620-79230	17	11
119620-79250	17	6
119620-79260	17	18
119620-79280	17	21
119620-79290	17	22
119620-79300	17	23
119620-79310	17	24
119620-79320	17	25
119620-79330	17	26
119620-79340	17	27
119620-79350	17	28
119620-79360	17	29
119625-11880	4	32
119643-66900	18	28
119650-77911	18	30
119660-61901	13	67
119740-61470	13	30
119802-01561	2	7
119802-03110	4	42
119802-03121	4	43
119802-03130	4	44
119802-03141	4	45
119802-11260	4	6
119802-11270	4	7

Parts No.	Fig. No.	Ref. No.
119802-11870	4	31
119802-21202	8	4
119802-25051	7	9
119802-25071	7	27
119802-25101	7	10
119802-25901	7	15
119802-32070	2	13
119802-32100	2	12
119802-32111	2	17
119802-32120	2	18
119802-32130	2	19
119802-39450	10	36
119802-51090	12	12
119802-51560	12	60
119802-51680	12	67
119802-51690	12	68
119802-59550	14	68
119802-59560	14	70
119802-77200	18	29
119803-53400	14	15
119807-61420	13	26
119934-01800	2	5
119940-59130	10	30
120130-11860	4	52
120270-54410	4	34
121023-01551	2	30
121023-26071	7	28
121400-11340	4	27
121450-42450	11	32
121520-34810	10	3
121550-23200	8	31
121850-21290	8	5
	9	4
121850-21680	8	12
121850-51960	2	20
123325-35140	18	15
123325-35160	18	16
123501-79240	17	5
123672-55760	18	20
123678-55890	18	24
123900-13610	6	3
124060-01050	1	4
124060-77680	14	75
124085-35350	10	21
124160-01751	2	8
124160-01910	1	6
124160-11360	4	50
124160-21501	8	13
124160-39140	10	35
124240-01871	2	9

Parts No.	Fig. No.	Ref. No.
124240-01871	2	27
124250-49351	11	34
124460-11340	4	28
124465-44950	11	33
124550-21600	8	16
124722-59050	14	69
		72
124732-77340	17	31
124766-59050	15	5
		8
128170-14150	9	3
129001-01250	1	5
129001-02931	1	30
129001-32330	2	16
129001-91841	2	25
129004-01190	1	26
129004-03010	4	40
129004-11650	4	9
129004-11900	4	33
129004-53001	14	2
129004-55612	15	1
129005-01520	2	6
129005-03080	5	1
129005-11100	4	23
129005-22080	8	17
129005-22500	8	19
129005-22900	8	37
129005-22950	8	39
129005-59830	10	37
129006-35100	10	15
129006-44480	10	22
129008-51900	12	10
129008-51920	12	11
129030-44760	11	25
129052-79270	17	19
129054-42320	11	11
129065-55170	18	17
129065-55750	18	14
129065-55760	18	21
129065-55770	18	22
129065-55800	18	23
129100-01580	3	1
		15
		8
129100-11112	4	24
129100-23910	8	34
129103-49301	10	32
129129-77230	16	7
129129-77240	16	8
129129-77260	16	20

Parts No.	Fig. No.	Ref. No.
129129-77270	16	21
129129-77290	16	23
129129-77320	16	27
129129-77340	16	29
129129-77350	16	30
129129-77362	16	31
129129-77380	16	33
129129-77400	16	15
129129-77410	16	16
129129-77420	16	18
129129-77430	16	19
129129-77440	16	13
129129-77450	16	14
129129-77460	16	34
129150-01200	1	27
129150-02020	1	8
129150-02450	7	4
129150-02871	1	33
129150-02931	1	23
129150-02941	1	36
129150-03070	4	41
129150-11230	4	10
129150-11280	4	8
129150-11370	4	14
129150-11750	4	12
129150-11810	4	53
129150-14101	7	6
129150-14200	7	1
129150-14400	7	2
129150-23601	8	32
129150-23611	8	35
129150-25301	7	14
129150-35042	10	4
129150-35111	10	19
129150-42059	11	4
129150-42301	11	9
129150-49360	11	35
129150-49811	11	28
129150-59120	14	42
129150-59131	14	45
		49
129150-77511	5	8
129155-49801	11	27
129155-51280	13	6
129155-61461	13	28
129202-22300	8	25
129210-59090	15	4
129210-59150	15	7
129211-77920	18	33
129240-79300	17	13

Parts No. Index

Parts No.	Fig. No.	Ref. No.
129242-55701	18	5
129242-55720	18	6
129242-55730	18	7
129242-55740	18	8
129242-55750	18	9
129242-55760	18	10
129242-55770	18	11
129255-61410	13	25
129263-42120	11	5
129271-51590	12	65
129271-51600	12	66
129350-49530	11	29
129400-28121	8	6
129400-28150	9	8
129403-42380	11	22
129407-01340	1	28
129407-12110	5	4
129407-77010	16	1
129407-77210	16	5
129407-77220	16	6
129407-77250	16	9
129407-77280	16	22
129407-77300	16	24
129407-77310	16	26
129407-77330	16	28
129407-77390	16	12
129407-77410	16	17
129410-03990	5	2
129411-13100	6	1
129417-35150	10	17
129418-32320	2	15
129423-77210	17	2
129423-77720	17	17
129457-28000	9	2
129457-28011	9	5
129457-34800	10	2
129484-26200	7	17
129484-26210	7	19
129486-01670	3	19
129486-12581	5	7
129486-42050	11	1
129486-59551	14	71
129495-55610	18	18
129495-55620	18	19
129508-33031	10	12
129508-33060	10	13
129508-35100	10	14
129508-35150	10	18
129508-49030	10	23
129508-49040	10	27

Parts No.	Fig. No.	Ref. No.
129509-51390	12	42
129550-01702	3	5
129550-13110	6	2
129550-35090	10	5
129550-59120	14	46
129555-01750	3	10
129555-44750	11	12
129601-11241	4	3
129601-11251	4	4
129601-11310	4	47
129601-51250	12	129
129601-59810	14	51
129601-59820	14	55
129601-59830	14	59
129601-59840	14	63
129602-11701	4	15
129602-12101	5	3
129612-52100	18	4
129623-21650	8	10
129630-77900	13	121
129640-44741	11	24
129648-01600	3	16
129648-01780	3	18
129652-11350	4	39
129657-21002	8	1
129659-01620	3	2
129659-01740	3	6
129659-13680	18	2
129659-21520	8	14
129659-42050	11	2
129659-77350	17	33
129795-01900	17	1
129795-01950	2	10
129795-01960	9	1
129795-02412	1	11
129795-11120	4	25
129795-11180	4	26
129795-21661	8	11
129795-49551	11	30
129900-07900	4	1
129900-32130	2	14
129907-55801	15	2
	18	27
129916-49740	11	13
129916-59020	12	125
129930-13201	18	1
129972-77341	17	32
129C26-01890	2	28
129E00-13640	6	4
158552-51151	7	26

Parts No.	Fig. No.	Ref. No.
158552-51571	12	61
		62
158552-51580	12	64
158552-51600	12	70
158552-51670	12	123
158552-51781	12	94
158552-52100	12	103
158552-52311	12	105
158552-52400	12	106
158552-52500	12	104
158552-61061	13	89
158552-61441	13	27
158552-61900	13	80
158553-51680	12	73
158553-51770	12	100
158553-51930	12	97
	13	7
158553-61050	13	3
158553-61070	13	4
158557-51570	12	63
158563-51281	12	40
		41
158563-51330	12	51
158600-51270	12	39
158601-51550	12	59
158601-51650	12	72
158601-51770	12	93
158601-51790	12	95
171008-03990	10	24
		28
171051-01921	1	7
171056-49120	10	1
171353-26081	7	16
194150-01370	12	2
22137-080000	12	126
22190-080002	10	38
		40
22190-100002	10	41
22190-120002	12	98
		107
		108
	13	70
22190-160002	3	9
22190-180002	12	99
22217-140000	12	109
22252-000260	8	26
22312-050140	12	110
22351-050010	12	111
22351-060012	4	35
22417-160180	12	127

Parts No.	Fig. No.	Ref. No.
22512-070140	7	7
	8	7
		9
22857-500100	4	48
		49
23080-015000	10	26
		31
23414-080000	11	18
23857-030000	10	39
23857-060000	12	112
23876-005000	9	19
23876-030000	2	3
23876-040000	2	4
24105-060064	7	22
24311-000070	12	114
24311-000120	4	51
	18	25
24311-000140	9	21
24311-000160	18	12
24311-000320	2	21
24321-000750	18	13
24321-000850	7	23
24341-000240	2	31
24356-190180	12	115
24356-190200	12	69
		116
24358-240310	11	14
25132-004000	11	23
26014-080222	18	34
26106-060102	12	117
	13	73
26106-060122	13	86
		87
26106-060162	2	32
26106-060202	11	15
	13	88
26106-060502	11	26
26106-080122	10	10
	11	19
26106-080142	7	8
	9	20
26106-080162	2	22
		23
		29
	4	2
	12	130
26106-080202	5	5
		9
	10	33
	12	131

Parts No. Index

Parts No.	Fig. No.	Ref. No.
26106-080252	3	11
	4	36
26106-080302	15	3
26106-080352	4	37
	10	11
26106-080402	7	13
26106-080502	3	12
	4	38
26106-080552	2	24
	11	20
26106-080602	9	22
	11	21
26106-080802	5	6
	9	23
26106-081002	3	13
26106-081202	3	14
26106-100452	7	24
26106-120252	16	35
26116-060162	11	16
26206-100252	3	4
26226-080182	4	13
26306-080002	2	26
	6	6
	11	31
26306-100002	17	30
26366-060002	10	42
26450-080282	7	25
26450-080452	12	119
26577-060142	11	17
26776-140002	12	120
27241-120000	1	12
27241-300000	1	13
27241-400000	4	22
27310-080001	4	29
41650-550800	18	26
729004-53101	14	1
729005-01500	2	1
729402-14580	7	3
729402-23100	8	27
729490-28510	9	9
729490-28520	9	14
729659-01570	1	1
729659-51380	12	1
X0280210230	16	10
X0283060061	16	2
X0283270140	16	11
X9490561001	17	3
X9490561370	16	3
X9491200240	16	4
X9491730461	16	25

Parts No.	Fig. No.	Ref. No.
-----------	----------	----------

Parts No.	Fig. No.	Ref. No.
-----------	----------	----------

Parts No.	Fig. No.	Ref. No.
-----------	----------	----------