

0CW10-M42800EN

P R E F A C E

1. This Parts Catalog carries all parts incorporated in YANMAR Model 4TNV88-DSA01 engine manufactured since August, 2008.
2. Each illustration corresponds to the parts list on the following page.
3. When ordering parts, clearly write down the engine model and serial number, as well as the name and number of each part in your order sheet. This will help insure reliable delivery of the parts you have ordered.

Directions for the Parts Catalog.

1. This Parts Catalog shows both standard and optional parts.
2. Parts may change without prior notice.
3. The following is an example of the Parts Catalog format.

REF.	LEV.	PARTS NO.	DESCRIPTION	Q'TY						I	R
				(A)	(B)	(C)	(D)	(E)	(F)		
1	1	729595-51390	FUEL INJECTION PUMP	1	1	1	1	1			1
1-1	1	729595-51391	FUEL INJECTION PUMP	1	1	1	1	1		N	1
		(A=E00185) (B=E00200)									
3	2	26022-060162	SCREW M 6X 16	9	9	9	9	9			
3-1	2	26022-060162	SCREW M 6X 16	4	4	4	4	4		K	
		(A=E00156) (B=E00156) (C=E00156) (D=E00156) (E=E00156)									
4	2	129470-51040	CAMSHAFT	1	1	1	1	1			
5	2	122710-51050	BEARING, ROLLER	2	2	2	2	2			
6	2	129470-51060	RETAINER	1	1	1	1	1			

Remarks
(1) BOOST COMPEMSATOR TYPE. OPTIONAL PART, TO E00155,(4JH-DT, 4JH-DTZ

① Ref. No.

The Ref. No. listed may not be in accordance with the illustration Ref. No.

(Ex.) Illustration No.

List Ref No.

1 1 (Before change) → 1-1 (After change)

For interchangeable symbols N, R and K, illustrations for new parts may be abbreviated.

② Lev. (Level)

Level indication

The numbers below indicate the level of relativity towards the main part.

1 ---- Main parts (Assembly parts)

2 ---- Sub component included in " 1 ".

3 ---- Sub component included in " 2 ".

Note) Parts that are not for sale are partially illustrated but not listed.

③ Interchangeability Symbol

When a part change takes place, one of the following interchangeability symbols is indicated beside the part.

Symbol	Interchangeability	Contents note
N	Old $\begin{matrix} \leftarrow \text{Yes} \\ \text{No} \rightarrow \end{matrix}$ New	New Part is interchangeable for Old Part but Old Part is not interchangeable for New Part.
Q	Old $\begin{matrix} \leftarrow \text{No} \\ \text{Yes} \rightarrow \end{matrix}$ New	New Part is not interchangeable for Old Part but Old Part is interchangeable for New Part.
R	Old $\begin{matrix} \leftarrow \text{Yes} \\ \text{Yes} \rightarrow \end{matrix}$ New	New/ Old Parts are both interchangeable.
S	Old $\begin{matrix} \leftarrow \text{No} \\ \text{No} \rightarrow \end{matrix}$ New	New/ Old Parts are both not interchangeable.
W		Part newly added.
Z		Part discontinued.
F		Not interchangeable by a single part but interchangeable together with related parts.
K		Changes only for used parts quantities.

④ Effective Machine No.

When a part changes, the effective Machine No. will be indicated in the (A)-(F) column.

Product Symbol	Product No.	Product Symbol	Product No.
C	Clutch No. Compressor No.	F	Machine No. (Agricultural Equip.)
D	Drive No.	M	Machine No.
E	Engine No.		

Note 1) A date may follow the symbol. (Ex.) 1996.01

Note 2) "XXXXX" and "ZZZZZ" are for parts that could not be predicted or for engine models that could not be identified.

Note 3) (A=E00185) is the E (Engine Serial Number) for the column (A) model (in this case 4JH-DT) after the parts design change.

⑤ Remarks

Figures or alphabets (symbols) are entered in the remarks column.

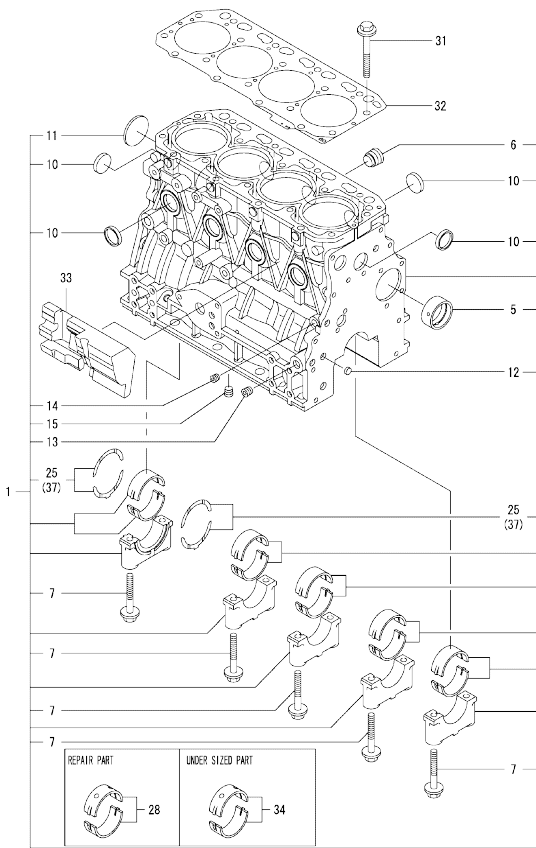
The comments (remarks) on parts that are indicated at the bottom of the illustration are the same symbols as those stated above.

Contents

0CW10-M42800

Fig. No.	Fig. Name	Fig. No.	Fig. Name
4TNV88-DSA01			
1.	CYLINDER BLOCK		
2.	GEAR HOUSING		
3.	FLYWHEEL HOUSING & OIL SUMP		
4.	CYLINDER HEAD & BONNET		
5.	SUCTION MANIFOLD & AIR CLEANER		
6.	EXHAUST MANIFOLD		
7.	CAMSHAFT & DRIVING GEAR		
8.	CRANKSHAFT & PISTON		
9.	LUB.OIL SYSTEM		
10.	COOLING WATER SYSTEM		
11.	RADIATOR		
12.	FUEL INJECTION PUMP		
13.	GOVERNOR		
14.	FUEL INJECTION VALVE		
15.	FUEL LINE		
16.	STARTING MOTOR		
17.	GENERATOR		
18.	ELECTRIC PARTS		
19.	GASKET SET & TOOLS		

Fig.1. CYLINDER BLOCK



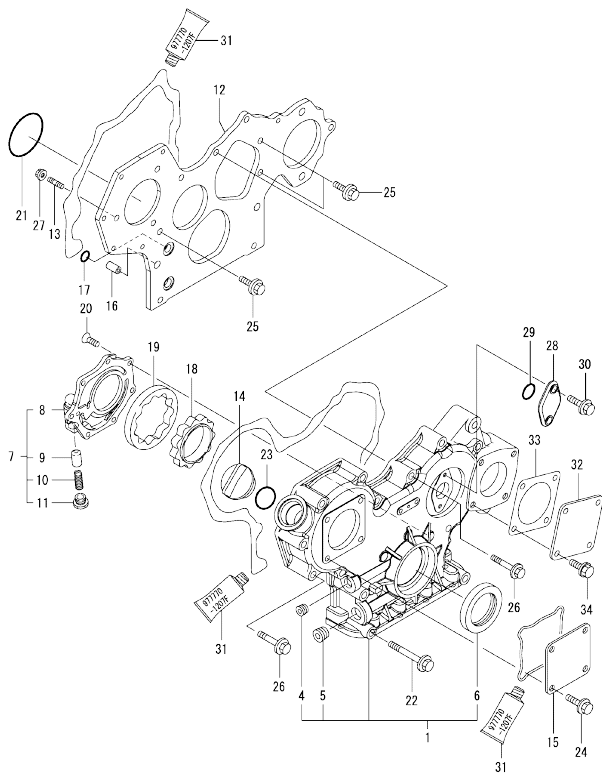
(A)=4TNV88-DSA01
(B)=
(C)=

(D)=
(E)=
(F)=

No.	Lev.	Parts No.	Description	Q'ty						I	R
				(A)	(B)	(C)	(D)	(E)	(F)		
1	1	729602-01560	BLOCK ASSY, CYLINDER	1							
5	3	129795-02412	BUSH, CAMSHAFT	1							
6	3	171051-01921	PLUG, NPTF1	1							
7	3	129150-02020	BOLT, METAL CAP	10							
10	3	27241-300000	PLUG 30	8							
11	3	129001-01250	PLUG, 50	1							
12	2	27241-120000	PLUG, 12	2							
13	2	124160-01910	PLUG, PT1/4	2							
14	2	124060-01050	PLUG, PT1/8	1							
15	2	124160-01910	PLUG, PT1/4	1							
25	2	129150-02931	BEARING, THRUST	2							
28	1	129001-02931	BEARING, MAIN	5							3
31	1	129150-01200	BOLT, HEAD	18							
32	1	129407-01340	GASKET, HEAD	1							
33	1	129004-01190	SPACER	1							
34	1	129150-02871	BEARING, 0.25 US	5							1
37	1	129150-02941	BEARING, THRUST 0.25	1							2

Remarks
(1)UNDER-SIZED(U.S.=0.25)PART.
(2)OVER-SIZED(O.S.=0.25)PART.
(3)REPAIR PART.

Fig.2. GEAR HOUSING



(A)=4TNV88-DSA01
(B)=
(C)=

(D)=
(E)=
(F)=

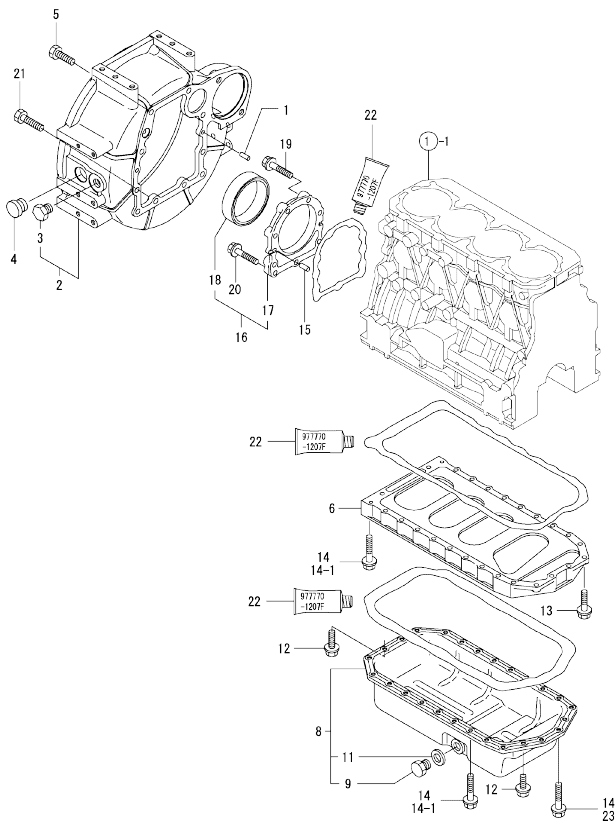
No.	Lev.	Parts No.	Description	Q'ty						I	R
				(A)	(B)	(C)	(D)	(E)	(F)		
1	1	729005-01500	CASE ASSY, GEAR	1							
4	2	23876-030000	PLUG, R03	1							
5	2	23876-040000	PLUG, R04	1							
6	2	119934-01800	SEAL, OIL	1							
7	1	119802-32100	COVER ASSY	1							
8	2	119802-32070	COVER	1							
9	2	129900-32130	VALVE, RELIEF	1							
10	2	129418-32320	SPRING	1							
11	2	129001-32330	PLUG	1							
12	1	129005-01520	FLANGE, GEAR CASE	1							
13	1	119802-01561	STUD, M8X25	3							
14	1	124160-01751	COVER, FILLER	1							
15	1	124240-01871	COVER	1							
16	1	129795-01950	PIPE, KNOCK L=18	2							
17	1	119609-32040	O-RING, P16	4							
18	1	119802-32111	ROTOR, INNER	1							
19	1	119802-32120	ROTOR, OUTER	1							
20	1	119802-32130	SCREW, M6X16	7							
21	1	121850-51960	O-RING	1							
22	1	129001-91841	BOLT, M8X85	3							
23	1	24311-000320	O-RING, 1AP32.0	1							
24	1	26106-080162	BOLT, M8X 16 PLATED	4							
25	1	26106-080162	BOLT, M8X 16 PLATED	3							
26	1	26106-080552	BOLT, M8X 55 PLATED	11							
27	1	26306-080002	NUT, M8	3							
28	1	121023-01551	COVER	1							
29	1	24341-000240	O-RING, 1AS24.0	1							
30	1	26106-060162	BOLT, M6X 16 PLATED	2							
31	1	977770-1207F	GASKET, LIQUID	1							1
32	1	124240-01871	COVER	1							
33	1	124240-01883	GASKET	1							
34	1	26106-080162	BOLT, M8X 16 PLATED	4							

Remarks
(1)OPTIONAL PART.

Fig.3. FLYWHEEL HOUSING & OIL SUMP

(A)=4TNV88-DSA01
(B)=
(C)=

(D)=
(E)=
(F)=

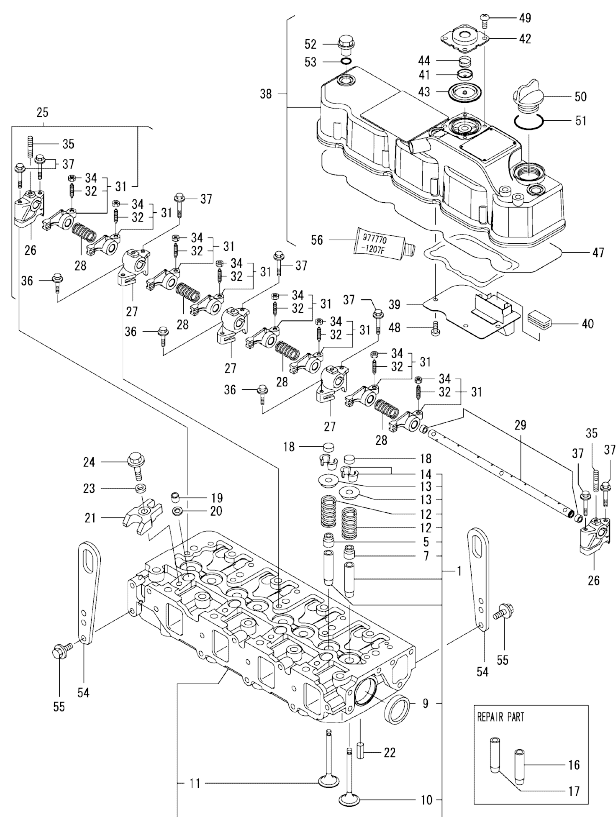


No.	Lev.	Parts No.	Description	Q'ty						I	R
				(A)	(B)	(C)	(D)	(E)	(F)		
1	1	129100-01580	PIN, M8X16	2							
2	1	119888-01601	HOUSING, FLYWHEEL	1							
3	2	129486-35210	PLUG, 3/4-16UNF	1							
4	1	119620-01750	CAP	1							
5	1	26206-100252	BOLT, M10X 25 PLATED	6							
6	1	129400-01730	SPACER, OIL SUMP	1							
8	1	129400-01770	SUMP ASSY, OIL	1							
8-1	1	129688-01780	OIL PAN ASSY, DEEP (A=EP6339)	1							N
9	2	119640-01640	PLUG, DRAIN M22	1							
11	2	22190-220002	WASHER, SEAL 22	1							
12	1	26106-080162	BOLT, M8X 16 PLATED	4							
13	1	26106-080252	BOLT, M8X 25 PLATED	2							
14	1	26106-080452	BOLT, M8X 45 PLATED	24							
14-1	1	26106-080452	BOLT, M8X 45 PLATED	20							K
(A=FROM 1ST)											
15	1	129100-01580	PIN, M8X16	2							
16	1	129100-01640	CASE ASSY, OIL SEAL	1							
17	2	129150-01650	CASE, OIL SEAL	1							
18	2	129795-01780	SEAL, OIL	1							
19	1	129486-01670	BOLT, M8X30	6							
20	1	26106-080352	BOLT, M8X 35 PLATED	3							
21	1	26206-100302	BOLT, M10X 30 PLATED	4							
22	1	977770-1207F	GASKET LIQUID	1							1
23	1	26106-080502	BOLT, M8X 50 PLATED	4							W
(A=FROM 1ST)											

Remarks
(1)OPTIONAL PART.

N:Old $\frac{100}{100}$ New, Q:Old $\frac{100}{100}$ New, R:Old $\frac{100}{100}$ New, S:Old $\frac{100}{100}$ New, W:Add, Z:Discontinued, F:Interchangeable by set, K:Q'ty Change
Copyright (C) YANMAR CO., LTD. All Rights Reserved.

Fig.4. CYLINDER HEAD & BONNET



(A)=4TNV88-DSA01
(B)=
(C)=

(D)=
(E)=
(F)=

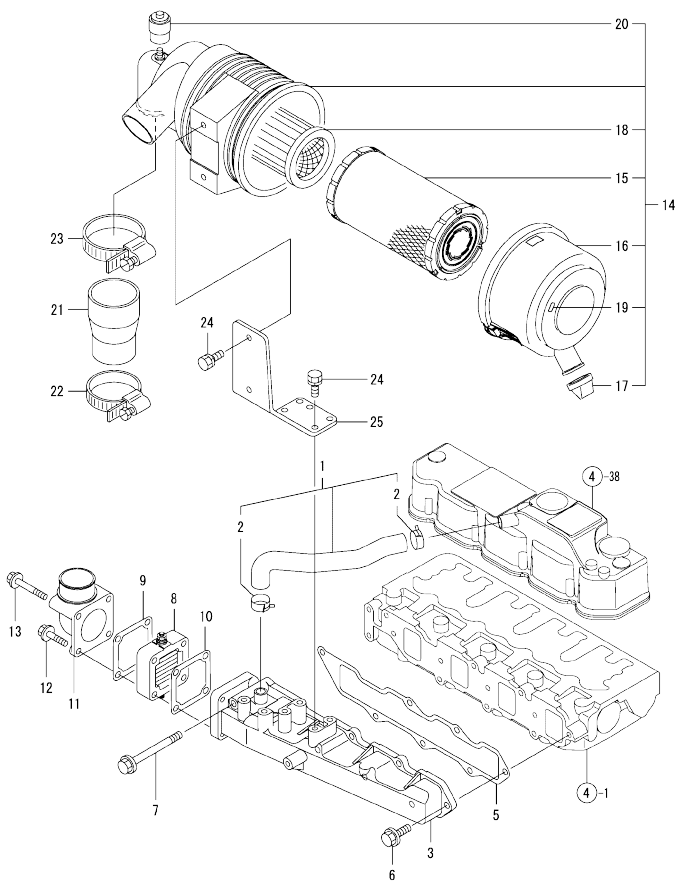
No.	Lev.	Parts No.	Description	Q'ty						I	R
				(A)	(B)	(C)	(D)	(E)	(F)		
1	1	129602-11700	HEAD ASSY, CYLINDER	1							
5	2	121400-11340	SEAL, VALVE STEM	4							
7	2	124460-11340	SEAL, VALVE STEM	4							
9	2	27241-400000	PLUG, 40	2							
10	2	129005-11100	VALVE, INTAKE	4							
11	2	129100-11112	VALVE, EXHAUST	4							
12	2	129795-11120	SPRING, VALVE	8							
13	2	129795-11180	RETAINER, SPRING	8							
14	2	27310-080001	COTTER, 8	8							
16	1	120130-11860	GUIDE, VALVE	4							1
17	1	129150-11810	GUIDE, VALVE	4							1
18	1	129150-11370	CAP, VALVE	8							
19	1	119802-11870	PROTECTOR, NOZZLE	4							
20	1	119625-11880	SEAT, NOZZLE	4							
21	1	129004-11900	RETAINER, NOZZLE	4							
22	1	22351-060012	PIN, SPRING 6.0X12	2							
23	1	120270-54410	WASHER, INJECTOR	4							
24	1	26106-080352	BOLT, M8X 35 PLATED	4							
25	1	129601-11241	SHAFT ASSY, ROCKER	1							
26	2	119802-11260	SUPPORT, ROCKER ARM	2							
27	2	119802-11270	SUPPORT, ROCKER ARM	3							
28	2	129150-11280	SPRING	4							
29	2	129601-11251	SHAFT, ROCKER ARM	1							
31	2	129004-11650	ARM, ROCKER	8							
32	3	129150-11230	SCREW, VALVE ADJUST	8							
34	3	129150-11750	NUT, M8	8							
35	2	26226-080182	STUD, M8X 18	3							
36	1	26106-080252	BOLT, M8X 25 PLATED	3							
37	1	26106-080502	BOLT, M8X 50 PLATED	7							
38	1	129601-11350	BONNET ASSY, HEAD	1							
39	2	129004-03010	PLATE	1							
40	2	129150-03070	BAFFLE, BREATHER	1							
41	2	119802-03110	PLATE	1							
42	2	119802-03121	COVER, DIAPHRAGM	1							
43	2	119802-03130	DIAPHRAGM	1							
44	2	119802-03141	SPRING, DIAPHRAGM	1							
47	2	129601-11310	GASKET, BONNET	1							
48	2	22857-500100	SCREW, 5X10	4							
49	2	22857-500100	SCREW, 5X10	4							
50	1	124160-01751	COVER, FILLER	1							
51	1	24311-000320	O-RING, 1AP32.0	1							
52	1	124160-11360	KNOB	3							
53	1	24311-000120	O-RING, 1AP12.0	3							
54	1	129900-07900	LIFTER	2							
55	1	26106-080162	BOLT, M8X 16 PLATED	4							
56	1	977770-1207F	GASKET, LIQUID	1							2

Remarks

- (1)REPAIR PART.
- (2)OPTIONAL PART.

N:Old $\frac{100}{100}$ New, Q:Old $\frac{100}{100}$ New, R:Old $\frac{100}{100}$ New, S:Old $\frac{100}{100}$ New, W:Add, Z:Discontinued, F:Interchangeable by set, K:Q'ty Change
Copyright (C) YANMAR CO., LTD. All Rights Reserved.

Fig.5. SUCTION MANIFOLD & AIR CLEANER



(A)=4TNV88-DSA01
(B)=
(C)=

(D)=
(E)=
(F)=

No.	Lev.	Parts No.	Description	Q'ty						I	R
				(A)	(B)	(C)	(D)	(E)	(F)		
1	1	129601-03080	PIPE , BREATHER	1							
2	2	129410-03990	CLIP	2							
3	1	129601-12100	MANIFOLD, AIR INTAKE	1							
5	1	129407-12110	GASKET, MANIFOLD	1							
6	1	26106-080202	BOLT, M8X 20 PLATED	6							
7	1	26106-080802	BOLT, M8X 80 PLATED	1							
8	1	129100-77501	HEATER	1							
9	1	129100-77510	GASKET	1							
10	1	129150-77511	GASKET	1							
11	1	171340-77520	BEND	1							
12	1	26106-080402	BOLT, M8X 40 PLATED	2							
13	1	26106-080802	BOLT, M8X 80 PLATED	2							
14	1	129601-12590	CLEANER ASSY, AIR	1							
15	2	129062-12560	ELEMENT	1							
16	2	129457-12530	COVER	1							
17	2	119808-12540	VALVE, UNLOADER	1							
18	2	119005-12571	ELEMENT	1							
19	2	129612-12650	LABEL, MARKING	1							
20	2	126650-12680	INDICATOR	1							
21	1	129642-12550	PIPE, AIR INTAKE	1							
22	1	23000-060000	CLAMP, 60	1							
23	1	23000-080000	CLAMP, 80	1							
24	1	26013-080222	BOLT, M8X 22	6							
25	1	129508-12560	BRACKET, AIR CLEANER	1							

Fig.6. EXHAUST MANIFOLD

(A)=4TNV88-DSA01
(B)=
(C)=

(D)=
(E)=
(F)=

No.	Lev.	Parts No.	Description	Q'ty						I	R
				(A)	(B)	(C)	(D)	(E)	(F)		
1	1	129601-13109	MANIFOLD, EXHAUST	1							
2	1	129550-13110	GASKET	1							
3	1	123900-13610	STUD, M8X80	2							
4	1	123900-13630	BOLT, M8X80	6							
5	1	119131-18320	STUD, M8X22	4							
6	1	26306-080002	NUT, M8	2							
7	1	129930-13201	GASKET, SILENCER	1							

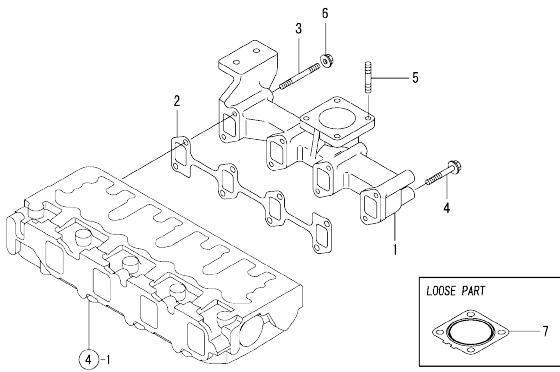
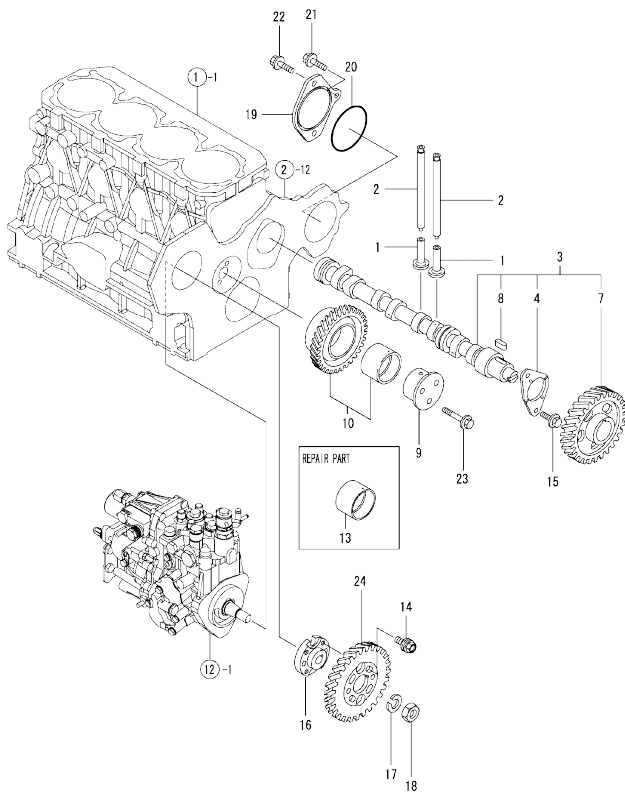


Fig.7. CAMSHAFT & DRIVING GEAR



(A)=4TNV88-DSA01
(B)=
(C)=

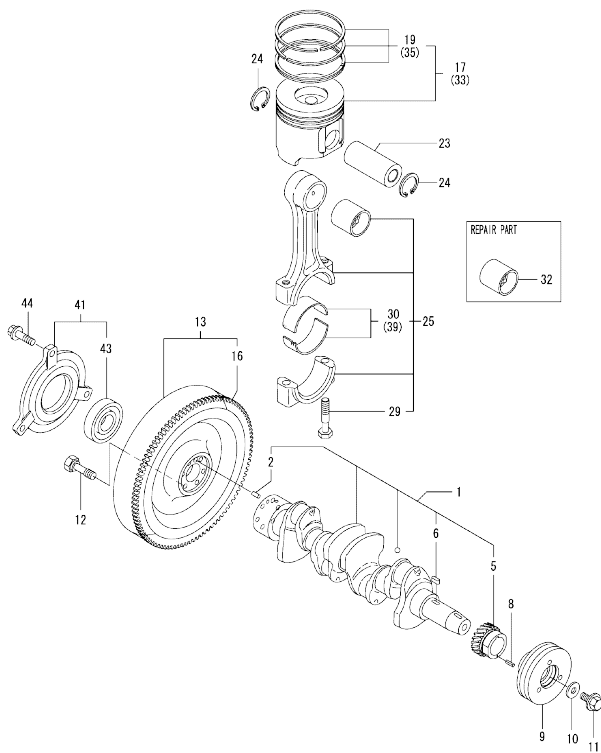
(D)=
(E)=
(F)=

No.	Lev.	Parts No.	Description	Q'ty						I	R
				(A)	(B)	(C)	(D)	(E)	(F)		
1	1	129150-14200	TAPPET	8							
2	1	129150-14400	ROD, PUSH L=178	8							
3	1	729402-14580	CAMSHAFT ASSY	1							
4	2	129150-02450	BEARING, THRUST	1							
7	2	129150-14101	GEAR, CAMSHAFT	1							
8	2	22512-070140	KEY, 7X 14	1							
9	1	119802-25051	SHAFT, IDLE	1							
10	1	119802-25101	GEAR ASSY, IDLE	1							
13	1	119802-25071	BUSH, IDLE GEAR	1							1
14	1	129150-25301	BOLT	4							
15	1	26106-080142	BOLT, M8X 14 PLATED	2							
16	1	158552-51151	FLANGE	1							
17	1	22217-140000	WASHER, SPRING 14	1							
18	1	26776-140002	NUT, LOCK M14	1							
19	1	129430-26070	COVER	1							
20	1	24321-000800	O-RING, 1AG80.0	1							
21	1	26106-080252	BOLT, M8X 25 PLATED	1							
22	1	26106-100302	BOLT, M10X 30 PLATED	2							
23	1	26106-080402	BOLT, M8X 40 PLATED	3							
24	1	119802-25901	GEAR, PUMP	1							

Remarks
(1)REPAIR PART.

N:Old $\frac{New}{Old}$ New, Q:Old $\frac{New}{Old}$ New, R:Old $\frac{New}{Old}$ New, S:Old $\frac{New}{Old}$ New, W:Add, Z:Discontinued, F:Interchangeable by set, K:Q'ty Change
Copyright (C) YANMAR CO., LTD. All Rights Reserved.

Fig.8. CRANKSHAFT & PISTON



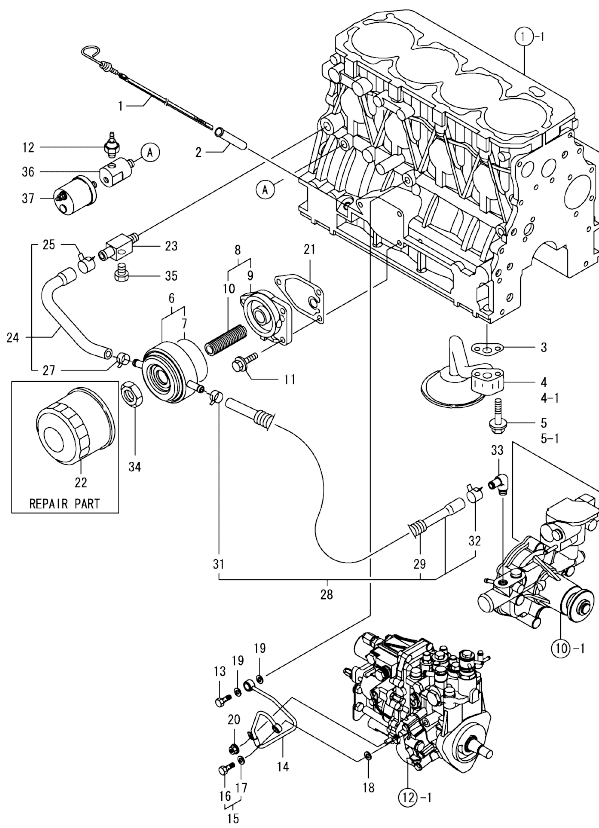
(A)=4TNV88-DSA01
(B)=
(C)=

(D)=
(E)=
(F)=

No.	Lev.	Parts No.	Description	Q'ty						I	R
				(A)	(B)	(C)	(D)	(E)	(F)		
1	1	129601-21002	CRANKSHAFT ASSY	1							
2	2	129100-01580	PIN, M8X16	1							
5	2	119802-21202	GEAR, CRANKSHAFT	1							
6	2	22512-070140	KEY, 7X 14	1							
8	1	22351-030010	PIN, SPRING 3.0X10	1							
9	1	119802-21650	V-PULLEY, 110	1							
10	1	129795-21661	WASHER	1							
11	1	121850-21680	BOLT	1							
12	1	121111-21501	BOLT, FLYWHEEL	6							
13	1	129488-21590	FLYWHEEL ASSY	1							
16	2	119865-21600	GEAR, RING	1							
17	1	129005-22080	PISTON ASSY	4							
19	2	129005-22500	RING SET, PISTON	4							
23	1	129202-22300	PIN, PISTON D26 L70	4							
24	1	22252-000260	RING, 26	8							
25	1	729402-23100	ROD ASSY, CONNECTING	4							
29	2	121550-23200	BOLT, CONNECTING ROD	8							
30	2	129150-23601	BEARING, CRANK PIN	4							
32	1	129100-23910	BEARING, PISTON PIN	4							1
33	1	129005-22900	PISTON ASSY, 0.25 OS	4							2
35	2	129005-22950	RING SET, 0.25 OS	4							2
39	1	129150-23611	BEARING, 0.25 US	4							3
41	1	119888-21450	RETAINER, BEARING	1							
43	2	24104-062054	BEARING, BALL 6205UU	1							
44	1	26106-080222	BOLT, M8X 22 PLATED	3							

Remarks
(1)REPAIR PART.
(2)OVER-SIZE(O.S.=0.25)PART.
(3)UNDER-SIZE(U.S.=0.25)PART.

Fig.9. LUB.OIL SYSTEM



(A)=4TNV88-DSA01
(B)=
(C)=

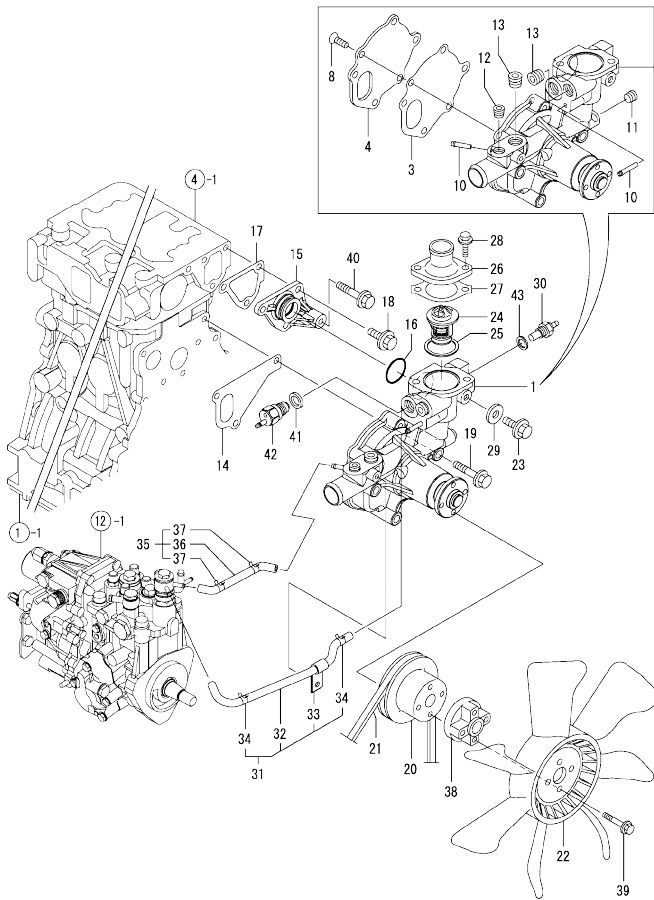
(D)=
(E)=
(F)=

No.	Lev.	Parts No.	Description	Q'ty						I	R
				(A)	(B)	(C)	(D)	(E)	(F)		
1	1	129004-34802	DIPSTICK, OIL	1							
2	1	121520-34810	GUIDE, DIPSTICK	1							
3	1	129150-35042	GASKET	1							
4	1	129436-35091	PIPE ASSY, OIL INLET	1							
4-1	1	129436-35070	PIPE ASSY	1							S
(A=EZZZZZ)											
5	1	26106-080352	BOLT, M8X 35 PLATED	2							
5-1	1	26106-080552	BOLT, M8X 55 PLATED	2							S
(A=EZZZZZ)											
6	1	129508-33010	COOLER ASSY, OIL	1							
7	2	129508-33050	O-RING	1							
8	1	129006-35100	BRACKET ASSY, FILTER	1							
9	2	119802-35110	BRACKET, FILTER	1							
10	2	129417-35150	STUD, L=67	1							
11	1	26106-080202	BOLT, M8X 20 PLATED	3							
12	1	114250-39450	SWITCH, 0.5KG	1							
13	1	124160-39140	BOLT, PIPE JOINT M10	1							
14	1	119802-39450	PIPE ASSY, OIL	1							
15	1	129005-59830	BOLT ASSY, JOINT M8	1							
16	2	23857-030000	BOLT, JOINT 3	1							
17	2	22190-080002	WASHER, SEAL 6	1							
18	1	22190-080002	WASHER, SEAL 6	1							
19	1	22190-100002	WASHER, SEAL 10	2							
20	1	26366-060002	NUT, M6	1							
21	1	129150-35111	GASKET	1							
22	1	129150-35170	FILTER, LO	1							1
23	1	129006-44480	JOINT	1							
24	1	129508-49030	PIPE ASSY, WATER	1							
25	2	171008-03990	CLIP, HOSE 18.5	1							
27	2	23080-015000	CLAMP, 15	1							
28	1	129508-49040	PIPE ASSY, WATER	1							
29	2	119940-59130	TUBE, CORRUGATED	1							
31	2	23080-015000	CLAMP, 15	1							
32	2	171008-03990	CLIP, HOSE 18.5	1							
33	1	129103-49301	ELBOW, PT1/4	1							
34	1	129417-33110	NUT	1							
35	1	171056-49120	PLUG, DRAIN	1							
36	1	171375-39601	DAMPER, 1/8	1							
37	1	119773-91501	SENSOR	1							

Remarks
(1)REPAIR PART.

N:Old $\frac{100}{100}$ New, Q:Old $\frac{100}{100}$ New, R:Old $\frac{100}{100}$ New, S:Old $\frac{100}{100}$ New, W:Add, Z:Discontinued, F:Interchangeable by set, K:Q'ty Change
Copyright (C) YANMAR CO., LTD. All Rights Reserved.

Fig.10. COOLING WATER SYSTEM

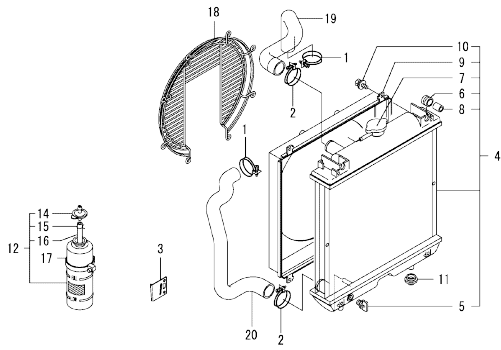


(A)=4TNV88-DSA01
(B)=
(C)=

(D)=
(E)=
(F)=

No.	Lev.	Parts No.	Description	Q'ty						I	R
				(A)	(B)	(C)	(D)	(E)	(F)		
1	1	129004-42001	PUMP ASSY, WATER	1							
3	2	129100-42051	GASKET, WATER PUMP	1							
4	2	129100-42121	PLATE	1							
8	2	121850-42410	SCREW	3							
10	2	119802-49113	JOINT, PIPE	2							
11	2	23876-010000	PLUG, R01	1							
12	2	23876-020000	PLUG, R02	1							
13	2	129916-49740	PLUG, R03	2							
14	1	129486-42021	GASKET, WATER PUMP	1							
15	1	129004-42040	JOINT	1							
16	1	129486-42140	O-RING, G30	1							
17	1	124395-49840	GASKET	1							
18	1	26106-080162	BOLT, M8X 16 PLATED	3							
19	1	26106-080602	BOLT, M8X 60 PLATED	3							
20	1	129403-42380	V-PULLEY, D=110	1							
21	1	119865-42290	V-BELT, A36.5	1							
21-1	1	25152-003600	V-BELT, A36	1							N
(A=EXXXXX)											
22	1	129655-44740	FAN, COOLING D380	1							
23	1	26106-080122	BOLT, M8X 12 PLATED	1							
24	1	129155-49801	THERMOSTAT, 71	1							
25	1	129150-49811	GASKET, THERMOSTAT	1							
26	1	129350-49530	COVER, THERMOSTAT	1							
27	1	129795-49551	GASKET	1							
28	1	26106-080222	BOLT, M8X 22 PLATED	2							
29	1	23414-080000	GASKET, 8X1.0	1							
30	1	124250-49351	SENSOR	1							
31	1	129004-49610	PIPE ASSY, WATER	1							
32	2	129004-49711	PIPE ASSY, WATER	1							
33	2	119802-49730	RETAINER, PIPE	1							
34	2	124722-59050	CLIP, HOSE 9	2							
35	1	129004-49620	PIPE ASSY, WATER	1							
36	2	129004-49721	PIPE ASSY, WATER	1							
37	2	124722-59050	CLIP, HOSE 9	2							
38	1	171353-44760	SPACER, FAN	1							
39	1	26106-060402	BOLT, M6X 40 PLATED	4							
40	1	26106-080452	BOLT, M8X 45 PLATED	1							
41	1	124465-44950	GASKET, 16	1							
42	1	121250-44901	SWITCH, 110	1							
43	1	129150-49360	GASKET	1							

Fig.11. RADIATOR



(A)=4TNV88-DSA01
(B)=
(C)=

(D)=
(E)=
(F)=

No.	Lev.	Parts No.	Description	Q'ty						I	R
				(A)	(B)	(C)	(D)	(E)	(F)		
1	1	23010-038000	CLAMP, 38	2							
2	1	23010-044000	CLAMP, 44	2							
3	1	121256-44600	BRACKET, SUB TANK	1							
4	1	129508-44501	RADIATOR ASSY	1							
5	2	129508-44550	COCK ASSY	1							
6	2	118400-44720	MOUNT, RUBBER	2							
7	2	129107-44590	CAP, RADIATOR	1							
8	2	118400-44670	COLLAR	2							
9	2	129601-44600	SHROUD	1							
10	2	26014-060122	BOLT, M6X 12	4							
11	1	119255-44660	ABSORBER	2							
12	1	124450-44510	TANK ASSY, SUB	1							
14	2	124450-44530	CAP	1							
15	2	124450-44560	RETAINER	1							
16	2	23061-070230	PIPE, 7X 230	1							
17	1	124450-44550	BAND	1							
18	1	129601-44570	GUARD	1							
19	1	129602-49010	PIPE, WATER	1							
20	1	129612-49040	PIPE, WATER	1							

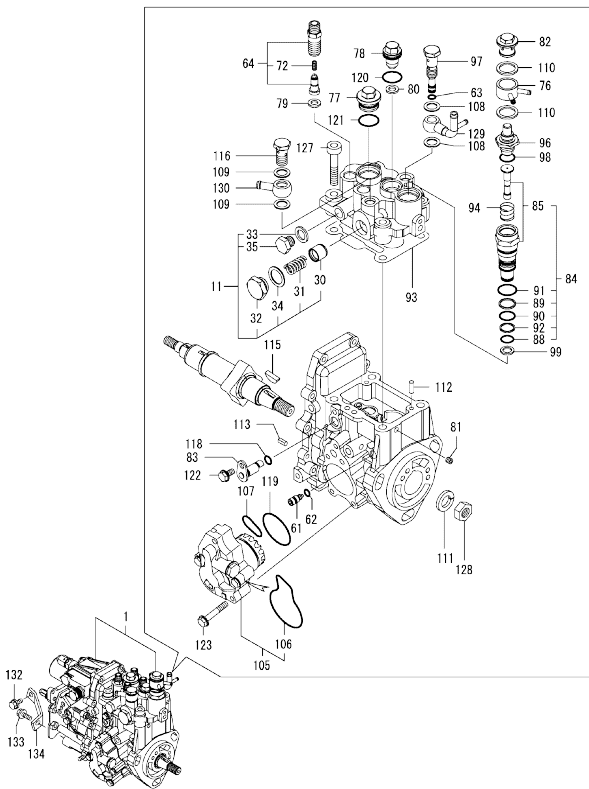
Remarks
* THIS FIGURE(RADIATOR ASSY)IS
OPTIONAL PART.

N:Old $\frac{100}{100}$ New, Q:Old $\frac{100}{100}$ New, R:Old $\frac{100}{100}$ New, S:Old $\frac{100}{100}$ New, W:Add, Z:Discontinued, F:Interchangeable by set, K:Q'ty Change
Copyright (C) YANMAR CO., LTD. All Rights Reserved.

Fig.12. FUEL INJECTION PUMP

(A)=4TNV88-DSA01
(B)=
(C)=

(D)=
(E)=
(F)=



No.	Lev.	Parts No.	Description	Qty						I	R	
				(A)	(B)	(C)	(D)	(E)	(F)			
1	1	729602-51310	PUMP ASSY, INJECTION	1							1	
11	3	158553-51741	HEAD ASSY	1								
30	4	158601-51770	PISTON	1								
31	4	158552-51781	SPRING	1								
32	4	158601-51790	PLUG	1								
33	4	22190-120002	WASHER, SEAL 12	1								
34	4	22190-180002	WASHER, SEAL 18	1								
35	4	23887-120002	PLUG, 12	1								
61	3	158600-51270	STOPPER, TAPPET	1								
62	3	158563-51281	O-RING, 4D S6	1								
63	3	158563-51281	O-RING, 4D S6	1								
64	3	129509-51390	VALVE ASSY, DELIVERY	4								
72	4	158563-51330	SPRING, DELIVERY	4								
76	3	158553-51551	JOINT	1								
77	3	158601-51550	PLUG	1								
78	3	119802-51560	PLUG, BARREL	1								
79	3	158552-51571	GASKET	4								
80	3	158552-51571	GASKET	1								
81	3	158557-51570	PLUG	1								
82	3	158601-51570	PLUG	1								
83	3	158552-51580	LIFTER	1								
84	3	119802-51590	TIMER SET	1								
85	4	119802-51600	TIMER ASSY	1								
88	4	158553-51670	O-RING, 1011	1								
89	4	119802-51680	RING, BACK UP	1								
90	4	119802-51690	O-RING	1								
91	4	24356-010200	O-RING, 4D1020	1								
92	4	24372-000150	RING, BACK UP T2P15	1								
93	3	158552-51600	GASKET	1								
94	3	158553-51630	SPRING, TIMER	1								
96	3	158553-51640	ELEMENT	1								
97	3	158601-51650	JOINT, OVER FLOW	1								
98	3	158553-51660	O-RING, P14	1								
99	3	158553-51680	GASKET	1								
105	3	158552-52100	PUMP ASSY, FUEL FEED	1								
106	4	158552-52500	O-RING	1								
107	3	158552-52310	O-RING	1								
108	3	22190-120002	WASHER, SEAL 12	2								
109	3	22190-120002	WASHER, SEAL 12	2								
110	3	22190-180002	WASHER, SEAL 18	2								
111	3	22217-140000	WASHER, SPRING 14	1								
112	3	22312-050140	PIN, PARALLEL M5X14	2								
113	3	22351-050010	PIN, SPRING 5.0X10	2								
115	3	119802-51090	KEY, 4X16	1								
116	3	23857-060000	BOLT, JOINT 6	1								
118	3	24311-000070	O-RING, 1AP7.0	1								
119	3	158552-52400	O-RING, 4E S42	1								
120	3	24356-010180	O-RING, 4D1018	1								
121	3	24356-010200	O-RING, 4D1020	1								
122	3	26106-060102	BOLT, M6X 10 PLATED	1								
123	3	158553-51770	BOLT	4								

Remarks
(1)GOVERNOR ASSY(FIG.13) IS
INCORPORATED IN THIS FUEL
INJECTION PUMP.(REF.NO.1).

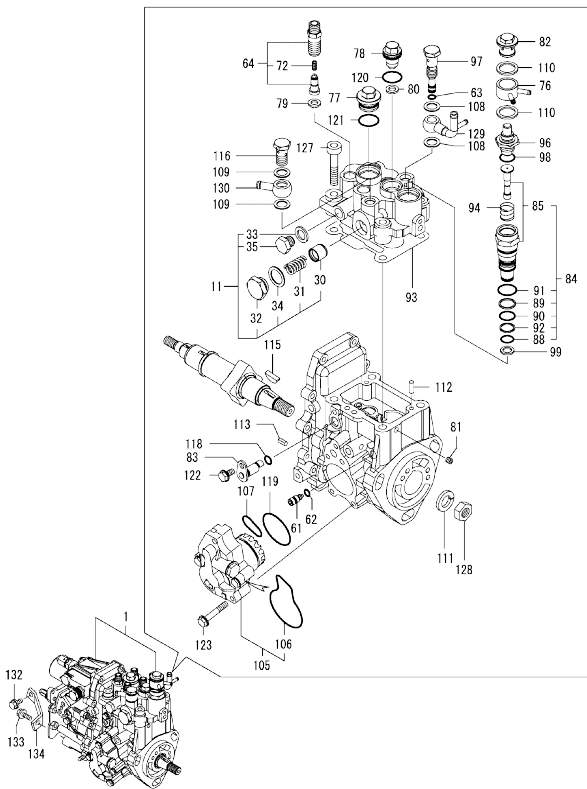
N:Old $\frac{New}{Old}$ New. Q:Old $\frac{New}{Old}$ New. R:Old $\frac{New}{Old}$ New. S:Old $\frac{New}{Old}$ New. W:Add. Z:Discontinued. F:Interchangeable by set. K:Qty Change
++ CONTINUE ++
Copyright (C) YANMAR CO., LTD. All Rights Reserved.

Fig.12. FUEL INJECTION PUMP

(A)=4TNV88-DSA01
(B)=
(C)=

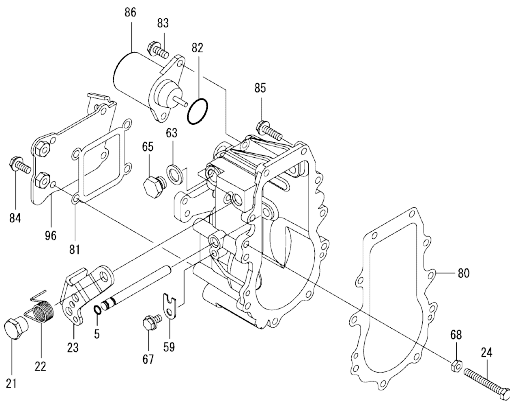
(D)=
(E)=
(F)=

No.	Lev.	Parts No.	Description	Q'ty					
				(A)	(B)	(C)	(D)	(E)	(F)
127	3	26450-080452	BOLT, M8X 45	4					
128	3	26776-140002	NUT, LOCK M14	1					
129	2	158552-51670	JOINT, OVER FLOW	1					
130	2	129916-59020	JOINT, PIPE 12	1					
132	1	26106-080162	BOLT, M8X 16 PLATED	1					
133	1	26106-080202	BOLT, M8X 20 PLATED	1					
134	1	129601-51250	RETAINER, PUMP	1					



Remarks
(1)GOVERNOR ASSY(FIG.13) IS
INCORPORATED IN THIS FUEL
INJECTION PUMP.(REF.NO.1).

Fig.13. GOVERNOR



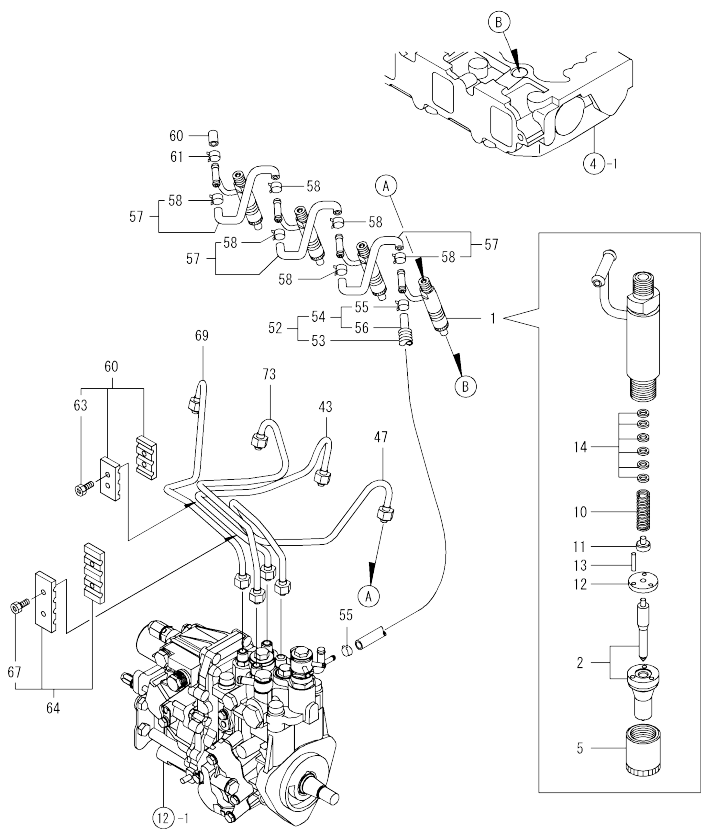
(A)=4TNV88-DSA01
(B)=
(C)=

(D)=
(E)=
(F)=

No.	Lev.	Parts No.	Description	Q'ty						I	R
				(A)	(B)	(C)	(D)	(E)	(F)		
5	4	129155-51280	O-RING, S6	1							
21	4	129255-61410	NUT, LOCK	1							
22	4	119807-61420	SPRING, RETURN	1							
23	4	158552-61441	LEVER, REGULATOR	1							
24	4	129155-61460	BOLT, IDLE	1							
59	4	119660-61901	RETAINER, SHAFT	1							
63	4	22190-120000	WASHER, SEAL 12	1							
65	4	23887-120002	PLUG, 12	1							
67	4	26106-060102	BOLT, M6X 10 PLATED	1							
68	4	26756-060002	NUT, LOCK M6	1							
80	3	158553-61050	GASKET	1							
81	3	158553-61070	GASKET	1							
82	3	158552-61900	O-RING	1							
83	3	26106-060142	BOLT, M6X 14 PLATED	2							
84	3	26106-060142	BOLT, M6X 14 PLATED	4							
85	3	26106-060202	BOLT, M6X 20 PLATED	10							
86	2	119653-77950	SOLENOID, STOP	1							
96	2	158552-61061	COVER, GOVERNOR CASE	1							

Remarks
* THIS FIGURE(GOVERNOR ASSY)IS
INCORPORATED IN THE FUEL INJECTION
PUMP ASSY(FIG.12).

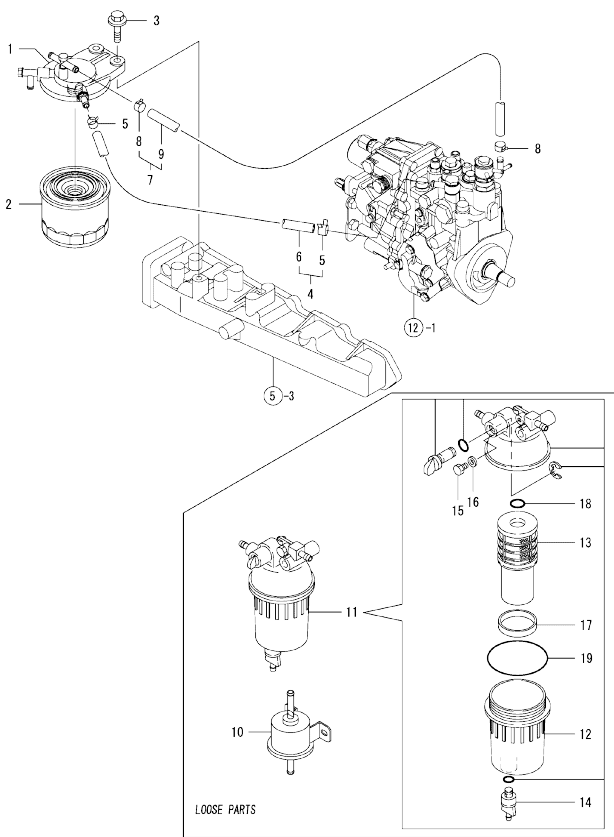
Fig.14. FUEL INJECTION VALVE



No.	Lev.	Parts No.	Description	Q'ty						I	R
				(A)	(B)	(C)	(D)	(E)	(F)		
1	1	729602-53101	VALVE ASSY,INJECTION	4							
2	2	129602-53001	VALVE ASSY,INJECTION	4							
5	2	114250-53080	NUT, NOZZLE D16.95	4							
10	2	114250-53120	SPRING, NOZZLE	4							
11	2	114250-53130	SEAT, SPRING	4							
12	2	114250-53140	PLATE	4							
13	2	114250-53210	PIN	8							
14	2	119803-53400	SHIM SET	4							
41	1	119593-59581	CAP	1							
42	1	124060-77680	CLIP, HOSE 10	1							
43	1	129601-59830	PIPE ASSY, INJECTION	1							
47	1	129601-59840	PIPE ASSY, INJECTION	1							
52	1	129263-59550	PIPE ASSY, RETURN	1							
53	2	129486-59320	TUBE, CORRUGATED	1							
54	2	119802-59550	PIPE ASSY, RETURN	1							
55	3	124722-59050	CLIP, HOSE 9	2							
56	3	119802-59560	PIPE, FUEL RETURN	1							
57	1	129486-59551	PIPE ASSY, RETURN	3							
58	2	124722-59050	CLIP, HOSE 9	6							
60	1	129150-59120	RETAINER, PIPE	1							
63	2	129150-59131	BOLT, M4X14	2							
64	1	129550-59120	RETAINER, PIPE	1							
67	2	129150-59131	BOLT, M4X14	2							
69	1	129601-59810	PIPE ASSY, INJECTION	1							
73	1	129601-59820	PIPE ASSY, INJECTION	1							

N:Old $\frac{100}{100}$ New, Q:Old $\frac{100}{100}$ New, R:Old $\frac{100}{100}$ New, S:Old $\frac{100}{100}$ New, W:Add, Z:Discontinued, F:Interchangeable by set, K:Q'ty Change
 Copyright (C) YANMAR CO., LTD. All Rights Reserved.

Fig.15. FUEL LINE



(A)=4TNV88-DSA01
(B)=
(C)=

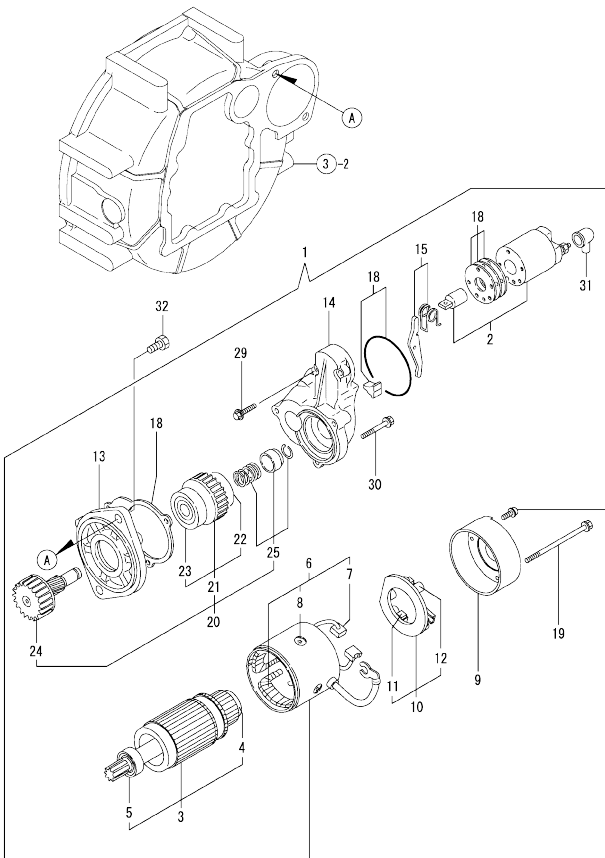
(D)=
(E)=
(F)=

No.	Lev.	Parts No.	Description	Q'ty						I	R	
				(A)	(B)	(C)	(D)	(E)	(F)			
1	1	129004-55612	BRACKET, FILTER	1								
2	1	119802-55810	FILTER,FO	1								
3	1	26106-080302	BOLT, M8X 30 PLATED	2								
4	1	129210-59090	PIPE ASSY, FUEL	1								
5	2	124766-59050	CLIP, HOSE 12	2								
6	2	105325-59570	PIPE, FUEL	1								
7	1	129210-59150	PIPE ASSY, FUEL	1								
8	2	124766-59050	CLIP, HOSE 12	2								
9	2	105025-59530	PIPE, FUEL D13X400	1								
10	1	119225-52102	PUMP ASSY, FUEL FEED	1								
11	1	129242-55700	SEPARATOR ASSY	1								1
12	2	129242-55720	CUP	1								1
13	2	129242-55730	ELEMENT	1								1
14	2	129242-55740	PLUG, DRAIN	1								1
15	2	129242-55750	VALVE, AIR VENT	1								1
16	2	129242-55760	GASKET	1								1
17	2	129242-55770	FLOAT	1								1
18	2	24311-000160	O-RING, 1AP16.0	1								1
19	2	24321-000750	O-RING, 1AG75.0	1								1

Remarks
(1)OPTIONAL PART.

N:Old $\frac{New}{Old}$ New, Q:Old $\frac{New}{Old}$ New, R:Old $\frac{New}{Old}$ New, S:Old $\frac{New}{Old}$ New, W:Add, Z:Discontinued, F:Interchangeable by set, K:Q'ty Change
Copyright (C) YANMAR CO., LTD. All Rights Reserved.

Fig.16. STARTING MOTOR



(A)=4TNV88-DSA01
(B)=
(C)=

(D)=
(E)=
(F)=

No.	Lev.	Parts No.	Description	Q'ty						I	R
				(A)	(B)	(C)	(D)	(E)	(F)		
1	1	129136-77011	STARTER	1							
2	2	129136-77310	SWITCH ASSY	1							
3	2	129900-77400	ARMATURE ASSY	1							
4	3	X2130350900	BEARING, BALL	1							
5	3	X2114255110	BEARING, BALL	1							
6	2	129900-77440	COIL ASSY, FIELD	1							
7	3	129900-77450	BRUSH	2							
8	3	171008-77450	SCREW	4							
9	2	129900-77460	COVER	1							
10	2	129900-77480	HOLDER ASSY, BRUSH	1							
11	3	129900-77450	BRUSH	2							
12	3	129400-77490	SPRING	4							
13	2	171008-77510	CASE, GEAR	1							
14	2	129136-77520	HOUSING	1							
15	2	171008-77540	LEVER SET	1							
18	2	129400-77571	COVER ASSY, DUST	1							
19	2	129900-77640	BOLT, THROUGH	2							
20	2	171008-77650	PINION ASSY	1							
21	3	X2114555500	CLUTCH ASSY	1							
22	4	X2114955020	BEARING, BALL	1							
23	4	X2240410100	BEARING, BALL	1							
24	3	171008-77660	SHAFT	1							
25	3	171008-77670	STOPPER SET	1							
29	2	26106-060322	BOLT, M6X 32 PLATED	2							
30	2	26106-060402	BOLT, M6X 40 PLATED	3							
31	2	171008-77750	COVER	1							
32	1	26116-120252	BOLT, M12X 25 PLATED	2							

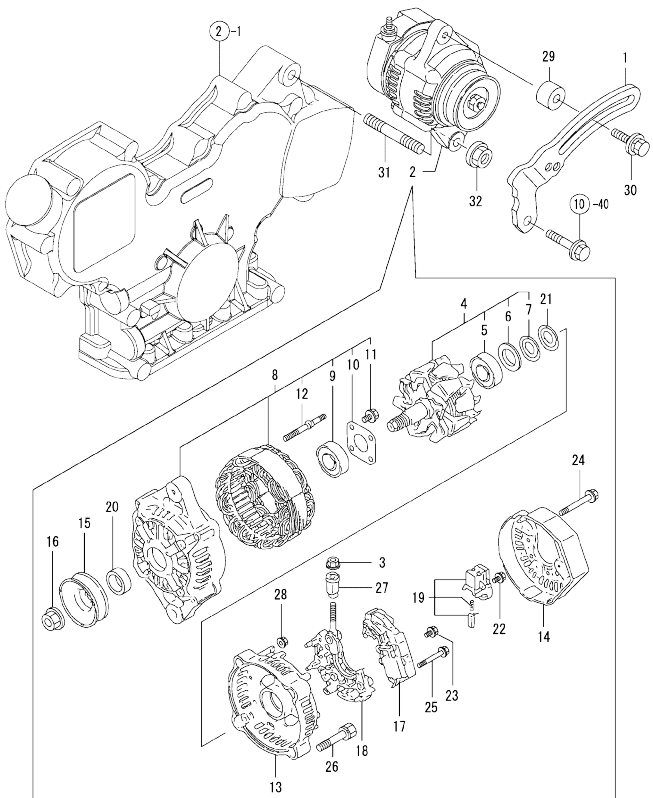
0CW10-M42800 4TNV88-DSA01
 Fig.17. GENERATOR

0CW10-M42800 Fig.17

(A)=4TNV88-DSA01
 (B)=
 (C)=

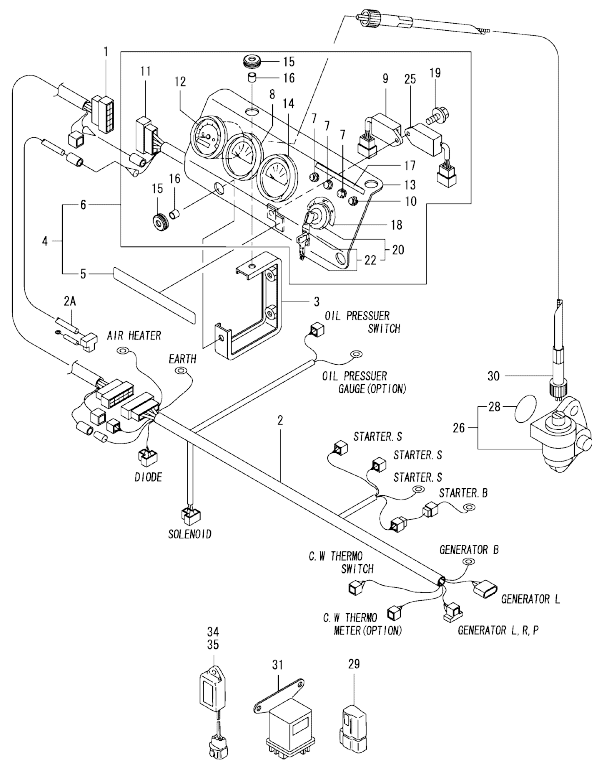
(D)=
 (E)=
 (F)=

No.	Lev.	Parts No.	Description	Q'ty						I	R
				(A)	(B)	(C)	(D)	(E)	(F)		
1	1	129064-77330	ADJUSTER	1							
2	1	129423-77200	GENERATOR, 12V-40A	1							
3	2	X9490561001	NUT	1							
4	2	119620-77380	ROTOR ASSY	1							
5	3	123501-79240	BEARING, BALL	1							
6	3	119620-79250	COVER	1							
7	3	119620-79360	WASHER, THRUST	1							
8	2	119620-77421	FRAME ASSY, DRIVE	1							
9	3	119620-79200	BEARING, BALL	1							
10	3	119620-79210	PLATE, RETAINER	1							
11	3	119620-79220	SCREW	4							
12	3	119620-79230	STUD	2							
13	2	119620-77440	FRAME ASSY	1							
14	2	129240-79300	COVER	1							
15	2	119620-77461	PULLEY	1							
16	2	119620-77471	NUT	1							
17	2	129423-77710	REGULATOR ASSY	1							
18	2	119620-79260	HOLDER	1							
19	2	129052-79270	HOLDER, BRUSH	1							
20	2	119620-77490	COLLAR	1							
21	2	119620-79360	WASHER, THRUST	1							
22	2	119620-79290	SCREW	1							
23	2	119620-79300	SCREW	1							
24	2	119620-79310	BOLT	3							
25	2	119620-79320	SCREW	2							
26	2	119620-79330	BOLT	2							
27	2	119620-79340	BUSH, INSULATION	1							
28	2	119620-79350	NUT	2							
29	1	129067-77340	SPACER	1							
30	1	129972-77341	BOLT, ADJUSTER L=50	1							
31	1	129795-01900	STUD	1							
32	1	26306-100002	NUT, M10	1							



N:Old $\frac{100}{100}$ New, Q:Old $\frac{100}{100}$ New, R:Old $\frac{100}{100}$ New, S:Old $\frac{100}{100}$ New, W:Add, Z:Discontinued, F:Interchangeable by set, K:Q'ty Change
 Copyright (C) YANMAR CO., LTD. All Rights Reserved.

Fig.18. ELECTRIC PARTS



Remarks
 * THIS FIGURE(ELECTRIC PARTS ASSY)IS
 OPTIONAL PART.

(A)=4TNV88-DSA01
 (B)=
 (C)=

(D)=
 (E)=
 (F)=

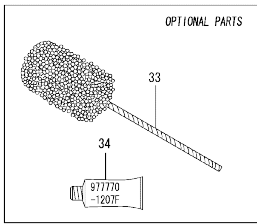
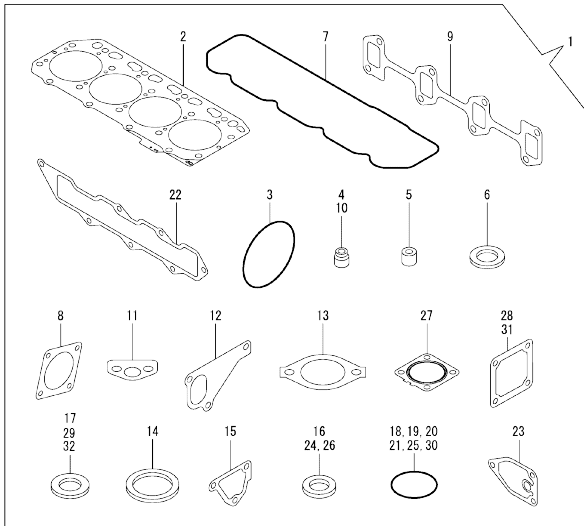
No.	Lev.	Parts No.	Description	Qty						I	R
				(A)	(B)	(C)	(D)	(E)	(F)		
1	1	119946-91010	CORD, EXTENSION	1							
2	1	119888-91026	HARNES, WIRE	1							
2-1	1	119888-91027	HARNES, WIRE	1							N
(A=*2008.10.)											
2A	1	119946-91020	CORD, EXTENSION	1							W
(A=EZZZZZ)											
3	1	119888-91120	SUPPORT		2						
4	1	119888-91202	PANEL ASSY		1						
5	2	104507-07190	LABEL, YANMAR		1						
6	2	119888-91221	PANEL ASSY		1						
7	3	124732-77720	LAMP, CHARGING		3						
8	3	171010-77850	THERMOSTAT		1						
9	3	128300-77920	TIMER		1						
10	3	124559-77971	LAMP, PILOT		1						
11	3	119888-91032	HARNES, WIRE		1						
12	3	171080-91101	TACHOMETER		1						
13	3	119888-91110	BODY, PANEL		1						
14	3	171090-91010	GAUGE		1						
15	3	121400-91520	ABSORBER		4						
16	3	121400-91530	SPACER		4						
17	3	119888-91610	LABEL, CW & OIL LAMP		1						
18	3	119888-91620	LABEL, KEY SWITCH		1						
19	3	26106-060102	BOLT, M6X 10 PLATED		1						
20	3	933110-00100	SWITCH ASSY, STARTER		1						
22	4	933110-00301	KEY ASSY		1						
25	3	129211-77920	TIMER		1						
26	1	129150-91400	GEAR		1						
28	2	24341-000240	O-RING, 1AS24.0		1						
29	1	119643-66900	DIODE		1						
30	1	124737-91420	CABLE, TACHOMETER		1						
31	1	119650-77910	RELAY ASSY, GLOW		1						
34	1	128300-77920	TIMER		1						
35	1	129211-77920	TIMER		1						

Fig.19. GASKET SET & TOOLS

(A)=4TNV88-DSA01
(B)=
(C)=

(D)=
(E)=
(F)=

No.	Lev.	Parts No.	Description	Qty						I	R
				(A)	(B)	(C)	(D)	(E)	(F)		
1	1	729602-92910	GASKET SET	1							1
2	2	129407-01340	GASKET, HEAD	1							
3	2	121850-51960	O-RING	1							
4	2	124460-11340	SEAL, VALVE STEM	4							
5	2	119802-11870	PROTECTOR, NOZZLE	4							
6	2	119625-11880	SEAT, NOZZLE	4							
7	2	129601-11310	GASKET, BONNET	1							
8	2	124240-01883	GASKET	1							
9	2	129550-13110	GASKET	1							
10	2	121400-11340	SEAL, VALVE STEM	4							
11	2	129150-35042	GASKET	1							
12	2	129486-42021	GASKET, WATER PUMP	1							
13	2	129795-49551	GASKET	1							
14	2	129150-49811	GASKET, THERMOSTAT	1							
15	2	124395-49840	GASKET	1							
16	2	22190-080002	WASHER, SEAL 6	2							
17	2	124465-44950	GASKET, 16	1							
18	2	24311-000120	O-RING, 1AP12.0	3							
19	2	24311-000320	O-RING, 1AP32.0	2							
20	2	24341-000240	O-RING, 1AS24.0	1							
21	2	129486-42140	O-RING, G30	1							
22	2	129407-12110	GASKET, MANIFOLD	1							
23	2	129150-35111	GASKET	1							
24	2	22190-220002	WASHER, SEAL 22	1							
25	2	119609-32040	O-RING, P16	4							
26	2	22190-100002	WASHER, SEAL 10	2							
27	2	129930-13201	GASKET, SILENCER	1							
28	2	129150-77511	GASKET	1							
29	2	23414-080000	GASKET, 8X1.0	1							
30	2	24321-000800	O-RING, 1AG80.0	1							
31	2	129100-77510	GASKET	1							
32	2	129150-49360	GASKET	1							
33	1	129400-92430	HONE	1							1
34	1	977770-1207F	GASKET,LIQUID	1							1



Remarks
(1)OPTIONAL PART.

N:Old $\frac{New}{100}$ New, Q:Old $\frac{New}{100}$ New, R:Old $\frac{New}{100}$ New, S:Old $\frac{New}{100}$ New, W:Add, Z:Discontinued, F:Interchangeable by set, K:Qty Change
Copyright (C) YANMAR CO., LTD. All Rights Reserved.

Parts No. Index

Parts No.	Fig. No.	Ref. No.
104507-07190	18	5
105025-59530	15	9
105325-59570	15	6
114250-39450	9	12
114250-53080	14	5
114250-53120	14	10
114250-53130	14	11
114250-53140	14	12
114250-53210	14	13
118400-44670	11	8
118400-44720	11	6
119005-12571	5	18
119131-18320	6	5
119225-52102	15	10
119255-44660	11	11
119593-59581	14	41
119609-32040	2	17
	19	25
119620-01750	3	4
119620-77380	17	4
119620-77421	17	8
119620-77440	17	13
119620-77461	17	15
119620-77471	17	16
119620-77490	17	20
119620-79200	17	9
119620-79210	17	10
119620-79220	17	11
119620-79230	17	12
119620-79250	17	6
119620-79260	17	18
119620-79290	17	22
119620-79300	17	23
119620-79310	17	24
119620-79320	17	25
119620-79330	17	26
119620-79340	17	27
119620-79350	17	28
119620-79360	17	7
		21
119625-11880	4	20
	19	6
119640-01640	3	9
119643-66900	18	29
119650-77910	18	31
119653-77950	13	86
119660-61901	13	59
119773-91501	9	37
119802-01561	2	13
119802-03110	4	41

Parts No.	Fig. No.	Ref. No.
119802-03121	4	42
119802-03130	4	43
119802-03141	4	44
119802-11260	4	26
119802-11270	4	27
119802-11870	4	19
	19	5
119802-21202	8	5
119802-21650	8	9
119802-25051	7	9
119802-25071	7	13
119802-25101	7	10
119802-25901	7	24
119802-32070	2	8
119802-32100	2	7
119802-32111	2	18
119802-32120	2	19
119802-32130	2	20
119802-35110	9	9
119802-39450	9	14
119802-49113	10	10
119802-49730	10	33
119802-51090	12	115
119802-51560	12	78
119802-51590	12	84
119802-51600	12	85
119802-51680	12	89
119802-51690	12	90
119802-55810	15	2
119802-59550	14	54
119802-59560	14	56
119803-53400	14	14
119807-61420	13	22
119808-12540	5	17
119865-21600	8	16
119865-42290	10	21
119888-01601	3	2
119888-21450	8	41
119888-91026	18	2
119888-91027	18	2 -1
119888-91032	18	11
119888-91110	18	13
119888-91120	18	3
119888-91202	18	4
119888-91221	18	6
119888-91610	18	17
119888-91620	18	18
119934-01800	2	6
119940-59130	9	29
119946-91010	18	1

Parts No.	Fig. No.	Ref. No.
119946-91020	18	2 A
120130-11860	4	16
120270-54410	4	23
121023-01551	2	28
121111-21501	8	12
121250-44901	10	42
121256-44600	11	3
121400-11340	4	5
	19	10
121400-91520	18	15
121400-91530	18	16
121520-34810	9	2
121550-23200	8	29
121850-21680	8	11
121850-42410	10	8
121850-51960	2	21
	19	3
123501-79240	17	5
123900-13610	6	3
123900-13630	6	4
124060-01050	1	14
124060-77680	14	42
124160-01751	2	14
	4	50
124160-01910	1	13
	15	15
124160-11360	4	52
124160-39140	9	13
124240-01871	2	15
	32	32
124240-01883	2	33
	19	8
124250-49351	10	30
124395-49840	10	17
	19	15
124450-44510	11	12
124450-44530	11	14
124450-44550	11	17
124450-44560	11	15
124460-11340	4	7
	19	4
124465-44950	10	41
	19	17
124559-77971	18	10
124722-59050	10	34
	37	37
	14	55
		58
124732-77720	18	7
124737-91420	18	30

Parts No.	Fig. No.	Ref. No.
124766-59050	15	5
		8
126650-12680	5	20
128300-77920	18	9
		34
129001-01250	1	11
129001-02931	1	28
129001-32330	2	11
129001-91841	2	22
129004-01190	1	33
129004-03010	4	39
129004-11650	4	31
129004-11900	4	21
129004-34802	9	1
129004-42001	10	1
129004-42040	10	15
129004-49610	10	31
129004-49620	10	35
129004-49711	10	32
129004-49721	10	36
129004-55612	15	1
129005-01520	2	12
129005-11100	4	10
129005-22080	8	17
129005-22500	8	19
129005-22900	8	33
129005-22950	8	35
129005-59830	9	15
129006-35100	9	8
129006-44480	9	23
129052-79270	17	19
129062-12560	5	15
129064-77330	17	1
129067-77340	17	29
129100-01580	3	1
		15
		8
129100-01640	3	16
129100-11112	4	11
129100-23910	8	32
129100-42051	10	3
129100-42121	10	4
129100-77501	5	8
129100-77510	5	9
	19	31
129103-49301	9	33
129107-44590	11	7
129136-77011	16	1
129136-77310	16	2
129136-77520	16	14

Parts No. Index

Parts No.	Fig. No.	Ref. No.
129150-01200	1	31
129150-01650	3	17
129150-02020	1	7
129150-02450	7	4
129150-02871	1	34
129150-02931	1	25
129150-02941	1	37
129150-03070	4	40
129150-11230	4	32
129150-11280	4	28
129150-11370	4	18
129150-11750	4	34
129150-11810	4	17
129150-14101	7	7
129150-14200	7	1
129150-14400	7	2
129150-23601	8	30
129150-23611	8	39
129150-25301	7	14
129150-35042	9	3
	19	11
129150-35111	9	21
	19	23
129150-35170	9	22
129150-49360	10	43
	19	32
129150-49811	10	25
	19	14
129150-59120	14	60
129150-59131	14	63
		67
129150-77511	5	10
	19	28
129150-91400	18	26
129155-49801	10	24
129155-51280	13	5
129155-61460	13	24
129202-22300	8	23
129210-59090	15	4
129210-59150	15	7
129211-77920	18	25
		35
129240-79300	17	14
129242-55700	15	11
129242-55720	15	12
129242-55730	15	13
129242-55740	15	14
129242-55750	15	15
129242-55760	15	16
129242-55770	15	17

Parts No.	Fig. No.	Ref. No.
129255-61410	13	21
129263-59550	14	52
129350-49530	10	26
129400-01730	3	6
129400-01770	3	8
129400-77490	16	12
129400-77571	16	18
129400-92430	19	33
129403-42380	10	20
129407-01340	1	32
	19	2
129407-12110	5	5
	19	22
129410-03990	5	2
129417-33110	9	34
129417-35150	9	10
129418-32320	2	10
129423-77200	17	2
129423-77710	17	17
129430-26070	7	19
129436-35070	9	4 -1
129436-35091	9	4
129457-12530	5	16
129486-01670	3	19
129486-35210	3	3
129486-42021	10	14
	19	12
	10	16
129486-42140	19	21
	14	53
129486-59320	14	57
129486-59551	8	13
129488-21590	5	25
129508-12560	9	6
129508-33010	9	7
129508-33050	11	4
129508-44501	11	5
129508-44550	9	24
129508-49030	9	28
129508-49040	12	64
129509-51390	6	2
129550-13110	19	9
	14	64
129550-59120	5	1
129601-03080	4	25
129601-11241	4	29
129601-11251	4	47
129601-11310	19	7
	4	38
129601-11350	5	3
129601-12100		

Parts No.	Fig. No.	Ref. No.
129601-12590	5	14
129601-13109	6	1
129601-21002	8	1
129601-44570	11	18
129601-44600	11	9
129601-51250	12	134
129601-59810	14	69
129601-59820	14	73
129601-59830	14	43
129601-59840	14	47
129602-11700	4	1
129602-49010	11	19
129602-53001	14	2
129612-12650	5	19
129612-49040	11	20
129642-12550	5	21
129655-44740	10	22
129688-01780	3	8 -1
129795-01780	3	18
129795-01900	17	31
129795-01950	2	16
129795-02412	1	5
129795-11120	4	12
129795-11180	4	13
129795-21661	8	10
129795-49551	10	27
	19	13
	4	54
129900-07900	2	9
129900-32130	16	3
129900-77400	16	6
129900-77440	16	7
129900-77450	16	11
	16	9
129900-77460	16	10
129900-77480	16	19
129900-77640	10	13
129916-49740	12	130
129916-59020	6	7
129930-13201	19	27
	17	30
129972-77341	7	16
158552-51151	12	79
158552-51571		80
	12	83
158552-51580	12	93
158552-51600	12	129
158552-51670	12	31
158552-51781	12	105
158552-52100	12	107
158552-52310		

Parts No.	Fig. No.	Ref. No.
158552-52400	12	119
158552-52500	12	106
158552-61061	13	96
158552-61441	13	23
158552-61900	13	82
158553-51551	12	76
158553-51630	12	94
158553-51640	12	96
158553-51660	12	98
158553-51670	12	88
158553-51680	12	99
158553-51741	12	11
158553-51770	12	123
158553-61050	13	80
158553-61070	13	81
158557-51570	12	81
158563-51281	12	62
		63
158563-51330	12	72
158600-51270	12	61
158601-51550	12	77
158601-51570	12	82
158601-51650	12	97
158601-51770	12	30
158601-51790	12	32
171008-03990	9	25
		32
171008-77450	16	8
171008-77510	16	13
171008-77540	16	15
171008-77650	16	20
171008-77660	16	24
171008-77670	16	25
171008-77750	16	31
171010-77850	18	8
171051-01921	1	6
171056-49120	9	35
171080-91101	18	12
171090-91010	18	14
171340-77520	5	11
171353-44760	10	38
171375-39601	9	36
22190-080002	9	17
		18
	19	16
22190-100002	9	19
	19	26
22190-120000	13	63
22190-120002	12	33
		108

Parts No. Index

Parts No.	Fig. No.	Ref. No.
22190-120002	12	109
22190-180002	12	34
		110
22190-220002	3	11
	19	24
22217-140000	7	17
	12	111
22252-000260	8	24
22312-050140	12	112
22351-030010	8	8
22351-050010	12	113
22351-060012	4	22
22512-070140	7	8
	8	6
22857-500100	4	48
		49
23000-060000	5	22
23000-080000	5	23
23010-038000	11	1
23010-044000	11	2
23061-070230	11	16
23080-015000	9	27
		31
23414-080000	10	29
	19	29
23857-030000	9	16
23857-060000	12	116
23876-010000	10	11
23876-020000	10	12
23876-030000	2	4
23876-040000	2	5
23887-120002	12	35
	13	65
24104-062054	8	43
24311-000070	12	118
24311-000120	4	53
	19	18
24311-000160	15	18
24311-000320	2	23
	4	51
	19	19
24321-000750	15	19
24321-000800	7	20
	19	30
24341-000240	2	29
	18	28
	19	20
24356-010180	12	120
24356-010200	12	91
		121

Parts No.	Fig. No.	Ref. No.
24372-000150	12	92
25152-003600	10	21 -1
26013-080222	5	24
26014-060122	11	10
26106-060102	12	122
	13	67
	18	19
26106-060142	13	83
		84
26106-060162	2	30
26106-060202	13	85
26106-060322	16	29
26106-060402	10	39
	16	30
26106-080122	10	23
26106-080142	7	15
26106-080162	2	24
		25
		34
	3	12
	4	55
	10	18
	12	132
26106-080202	5	6
	9	11
	12	133
26106-080222	8	44
	10	28
26106-080252	3	13
	4	36
	7	21
26106-080302	15	3
26106-080352	3	20
	4	24
	9	5
26106-080402	5	12
	7	23
26106-080452	3	14
		14 -1
	10	40
26106-080502	3	23
	4	37
26106-080552	2	26
	9	5 -1
26106-080602	10	19
26106-080802	5	7
		13
26106-100302	7	22
26116-120252	16	32
26206-100252	3	5

Parts No.	Fig. No.	Ref. No.
26206-100302	3	21
26226-080182	4	35
26306-080002	2	27
	6	6
26306-100002	17	32
26366-060002	9	20
26450-080452	12	127
26756-060002	13	68
26776-140002	7	18
	12	128
27241-120000	1	12
27241-300000	1	10
27241-400000	4	9
27310-080001	4	14
729005-01500	2	1
729402-14580	7	3
729402-23100	8	25
729602-01560	1	1
729602-51310	12	1
729602-53101	14	1
729602-92910	19	1
933110-00100	18	20
933110-00301	18	22
977770-1207F	2	31
	3	22
	4	56
	19	34
X2114255110	16	5
X2114555500	16	21
X2114955020	16	22
X2130350900	16	4
X2240410100	16	23
X9490561001	17	3

Parts No.	Fig. No.	Ref. No.
-----------	----------	----------