

OCR10-M56600EN

PREFACE

1.This Parts Catalog carries all parts incorporated in YANMAR Model 4TNV88-DSA, 4TNV88-DSA2, 4TNV88-DSA3 and 4TNV88-GGE engine manufactured since January, 2004.

2.Each illustration corresponds to the parts list on the following page.

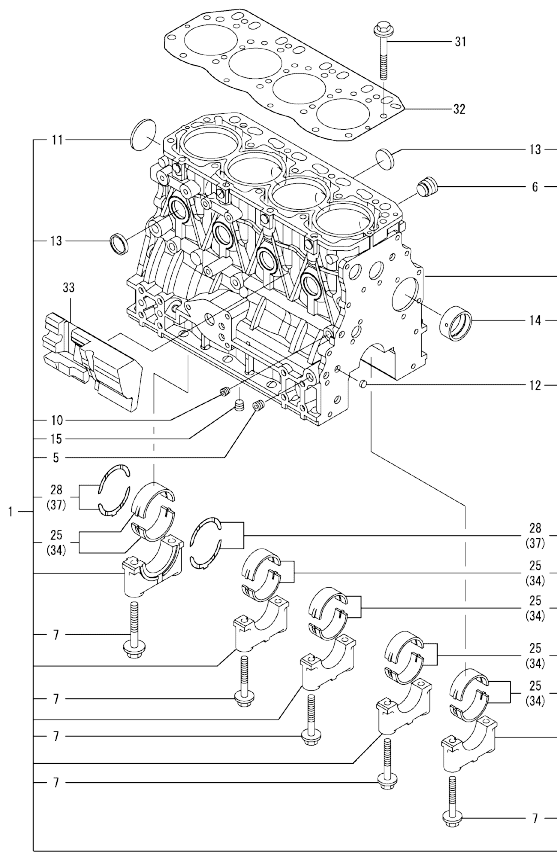
3.When ordering parts,clearly write down the engine model and serial number,as well as the name and number of each part in your order sheet. This will help insure reliable delivery of the parts you have ordered.

Contents

OCR10-M56600

Fig. No.	Fig. Name	Fig. No.	Fig. Name
ENGINE			
1.	CYLINDER BLOCK		
2.	GEAR HOUSING		
3.	GEAR HOUSING		
4.	FLYWHEEL HOUSING & OIL SUMP		
5.	CYLINDER HEAD & BONNET		
6.	SUCTION MANIFOLD		
7.	EXHAUST MANIFOLD		
8.	CAMSHAFT & DRIVING GEAR		
9.	CRANKSHAFT & PISTON		
10.	LUB. OIL SYSTEM		
11.	COOLING WATER SYSTEM		
12.	FUEL INJECTION PUMP		
13.	FUEL INJECTION VALVE		
14.	FUEL INJECTION VALVE		
15.	FUEL PIPING		
16.	STARTER MOTOR		
17.	STARTER MOTOR		
18.	GENERATOR		
19.	GASKET SET		

Fig.1. CYLINDER BLOCK



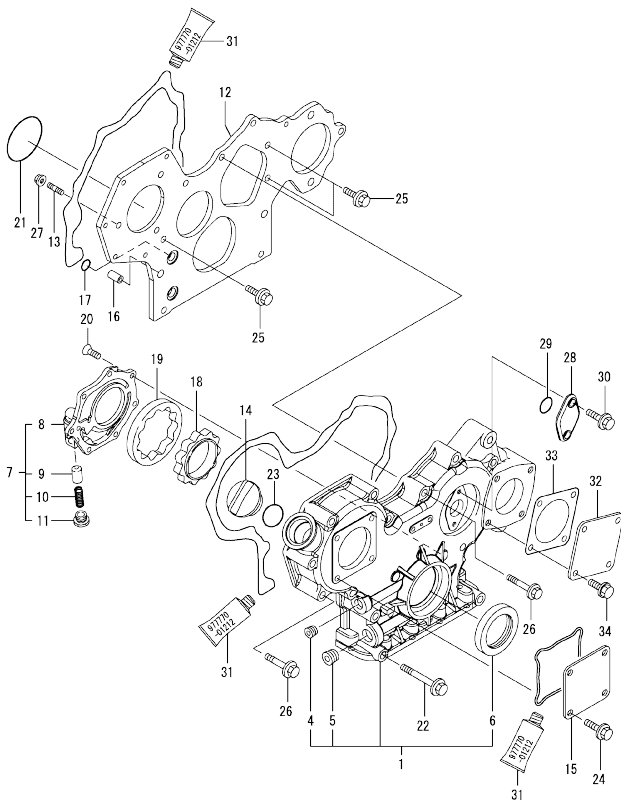
(A)=4TNV88-DSA
(B)=4TNV88-DSA2
(C)=4TNV88-DSA3

(D)=4TNV88-GGE
(E)=
(F)=

No.	Lev.	Parts No.	Description	Q'ty						I	R
				(A)	(B)	(C)	(D)	(E)	(F)		
1	1	729602-01560	BLOCK ASSY, CYLINDER	1	1	1	1				
5	2	124160-01910	PLUG, PT1/4	2	2	2	2				
6	2	171051-01921	PLUG, NPTF1	1	1	1	1				
7	2	129150-02020	BOLT, METAL CAP	10	10	10	10				
10	2	124060-01050	PLUG, PT1/8	1	1	1	1				
11	2	129001-01250	PLUG, 50	1	1	1	1				
12	2	27241-120000	PLUG, 12	2	2	2	2				
13	2	27241-300000	PLUG 30	8	8	8	8				
14	2	129795-02411	BUSH, CAMSHAFT	1	1	1	1				
15	2	124160-01910	PLUG, PT1/4	1	1	1	1				
25	2	129001-02930	BEARING ASSY, MAIN	5	5	5	5				3
28	2	129150-02930	BEARING ASSY, THRUST	2	2	2	2				
31	1	129150-01200	BOLT, CYLINDER HEAD	18	18	18	18				
32	1	129407-01340	GASKET, HEAD	1	1	1	1				
33	1	129004-01190	SPACER	1	1	1	1				
34	1	129150-02870	METAL ASSY, MAIN .25	5	5	5	5				1
37	1	129150-02940	METAL ASSY, 0.25 OS	1	1	1	1				2

Remarks
(1)Under-sized(U.S.=0.25) parts.
(2)Over-sized(O.S.=0.25) parts.
(3)Repair parts.

Fig.2. GEAR HOUSING



(A)=4TNV88-DSA
(B)=4TNV88-DSA2
(C)=4TNV88-DSA3

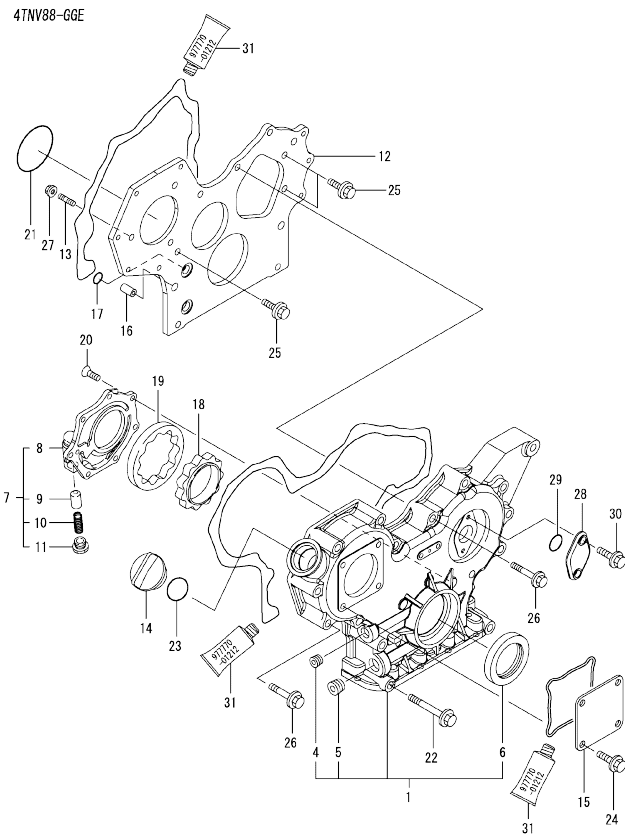
(D)=4TNV88-GGE
(E)=
(F)=

No.	Lev.	Parts No.	Description	Q'ty						I	R
				(A)	(B)	(C)	(D)	(E)	(F)		
1	1	729005-01500	CASE ASSY, GEAR	1	1	1					
4	2	23876-030000	PLUG, R03	1	1	1					
5	2	23876-040000	PLUG, R04	1	1	1					
6	2	129795-01800	SEAL, OIL	1	1	1					
7	1	119802-32100	COVER ASSY, PUMP	1	1	1					
8	2	119802-32070	COVER, OIL PUMP	1	1	1					
9	2	129900-32130	VALVE, RELIEF	1	1	1					
10	2	129418-32320	SPRING	1	1	1					
11	2	129001-32330	PLUG	1	1	1					
12	1	129005-01520	FLANGE, GEAR CASE	1	1	1					
13	1	119802-01560	STUD, M8X25	3	3	3					
14	1	124160-01751	CAP, FILLER	1	1	1					
15	1	124240-01871	COVER, HYDRAULIC PUMP	1	1	1					
16	1	129795-01950	PIPE, KNOCK L=18	2	2	2					
17	1	119609-32040	O-RING, P16	4	4	4					
18	1	119802-32111	ROTOR, INNER	1	1	1					
19	1	119802-32120	ROTOR, OUTER	1	1	1					
20	1	119802-32130	SCREW, M6X16	7	7	7					
21	1	121850-51960	O-RING, FUEL PUMP	1	1	1					
22	1	129001-91841	BOLT, M8X87	3	3	3					
23	1	24311-000320	O-RING, 1AP32.0	1	1	1					
24	1	26106-080162	BOLT, M8X 16 PLATED	4	4	4					
25	1	26106-080162	BOLT, M8X 16 PLATED	3	3	3					
26	1	26106-080552	BOLT, M8X 55 PLATED	11	11	11					
27	1	26306-080002	NUT, M8	3	3	3					
28	1	121023-01550	COVER	1	1	1					
29	1	24341-000240	O-RING, 1AS24.0	1	1	1					
30	1	26106-060162	BOLT, M6X 16 PLATED	2	2	2					
31	1	977770-01212	GASKET, LIQUID	1	1	1					1
32	1	124240-01871	COVER, HYDRAULIC PUMP	1	1	1					
33	1	124240-01883	GASKET, PUMP	1	1	1					
34	1	26106-080162	BOLT, M8X 16 PLATED	4	4	4					

Remarks

(1)Optional parts.

Fig.3. GEAR HOUSING



(A)=4TNV88-DSA
(B)=4TNV88-DSA2
(C)=4TNV88-DSA3

(D)=4TNV88-GGE
(E)=
(F)=

No.	Lev.	Parts No.	Description	Q'ty						I	R	
				(A)	(B)	(C)	(D)	(E)	(F)			
1	1	719802-01500	CASE ASSY, GEAR									
4	2	23876-030000	PLUG, R03									
5	2	23876-040000	PLUG, R04									
6	2	129795-01800	SEAL, OIL									
7	1	119802-32100	COVER ASSY, PUMP									
8	2	119802-32070	COVER, OIL PUMP									
9	2	129900-32130	VALVE, RELIEF									
10	2	129418-32320	SPRING									
11	2	129001-32330	PLUG									
12	1	119802-01520	FLANGE, GEAR CASE									
13	1	119802-01560	STUD, M8X25									
14	1	124160-01751	CAP, FILLER									
15	1	124240-01871	COVER, HYDRAULIC PUMP									
16	1	129795-01950	PIPE, KNOCK L=18									
17	1	119609-32040	O-RING, P16									
18	1	119802-32111	ROTOR, INNER									
19	1	119802-32120	ROTOR, OUTER									
20	1	119802-32130	SCREW, M6X16									
21	1	121850-51960	O-RING, FUEL PUMP									
22	1	129001-91841	BOLT, M8X87									
23	1	24311-000320	O-RING, 1AP32.0									
24	1	26106-080162	BOLT, M8X 16 PLATED									
25	1	26106-080162	BOLT, M8X 16 PLATED									
26	1	26106-080552	BOLT, M8X 55 PLATED									
27	1	26306-080002	NUT, M8									
28	1	121023-01550	COVER									
29	1	24341-000240	O-RING, 1AS24.0									
30	1	26106-060162	BOLT, M6X 16 PLATED									
31	1	977770-01212	GASKET, LIQUID									

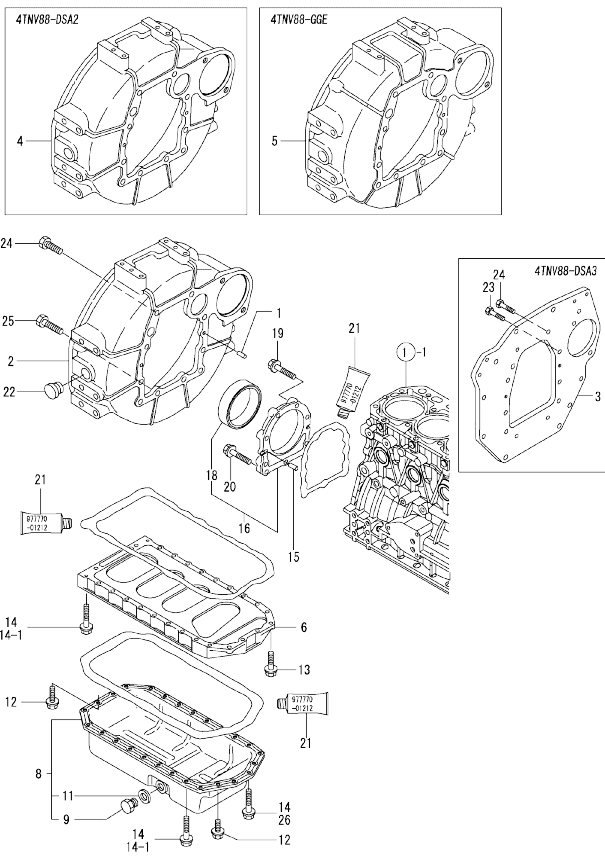
Remarks

(1)Optional parts.

Fig.4. FLYWHEEL HOUSING & OIL SUMP

(A)=4TNV88-DSA
(B)=4TNV88-DSA2
(C)=4TNV88-DSA3

(D)=4TNV88-GGE
(E)=
(F)=

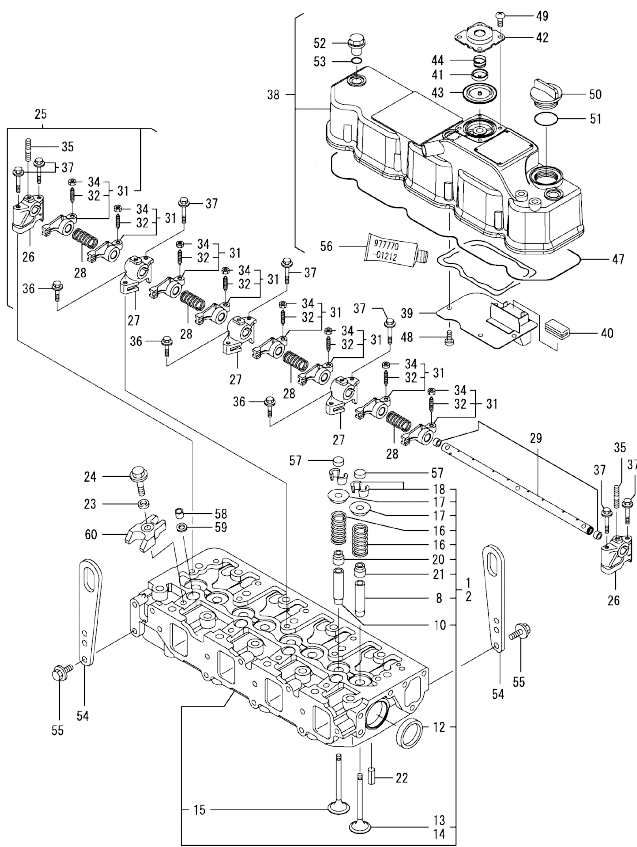


No.	Lev.	Parts No.	Description	Q'ty						I	R
				(A)	(B)	(C)	(D)	(E)	(F)		
1	1	129100-01580	PIN, PARALLEL 8X16	2	2	2	2				
2	1	119888-01600	HOUSING, FLYWHEEL	1							
3	1	129129-01600	FLANGE, MOUNTING			1					
4	1	129612-01600	HOUSING, FLYWHEEL		1						
5	1	171420-01600	HOUSING, FLYWHEEL					1			
6	1	129400-01730	SPACER, OIL PAN	1	1	1	1				
8	1	129400-01770	OIL PAN ASSY	1	1	1	1				
8-1	1	129688-01780 (A=EM9935) (B=EM9936) (C=E73130) (D=EM9879)	OIL PAN ASSY	1	1	1	1			N	
9	2	119640-01640	PLUG, DRAIN M22	1	1	1	1				
11	2	22190-220002	WASHER, SEAL 22	1	1	1	1				
12	1	26106-080162	BOLT, M8X 16 PLATED	4	4	4	4				
13	1	26106-080252	BOLT, M8X 25 PLATED	2	2	2	2				
14	1	26106-080452	BOLT, M8X 45 PLATED	24	24	24	24				
14-1	1	26106-080452	BOLT, M8X 45 PLATED	20	20	20	20			K	
		(A=FROM 1ST) (B=FROM 1ST) (C=FROM 1ST) (D=FROM 1ST)		2	2	2	2				
15	1	129100-01580	PIN, PARALLEL 8X16	1	1	1	1				
16	1	129100-01640	CASE ASSY, OIL SEAL	1	1	1	1				
18	2	129795-01780	SEAL, OIL	1	1	1	1				
19	1	129486-01670	BOLT, M8X30	6	6	6	6				
20	1	26106-080352	BOLT, M8X 35 PLATED	3	3	3	3				
21	1	977770-01212	GASKET, LIQUID	1	1	1	1			1	
22	1	119620-01750	CAP, WHEEL COVER	1	1	1	1				
23	1	26206-100202	BOLT, M10X 20 PLATED			6					
24	1	26206-100252	BOLT, M10X 25 PLATED	6	6	2	6				
25	1	26206-100302	BOLT, M10X 30 PLATED	4	4	4	4				
26	1	26106-080502	BOLT, M8X 50 PLATED	4	4	4	4			W	
		(A=FROM 1ST) (B=FROM 1ST) (C=FROM 1ST) (D=FROM 1ST)									

Remarks

(1)Optional parts.

Fig.5. CYLINDER HEAD & BONNET



Remarks
 (1)Repair parts.
 (2)Optional parts.

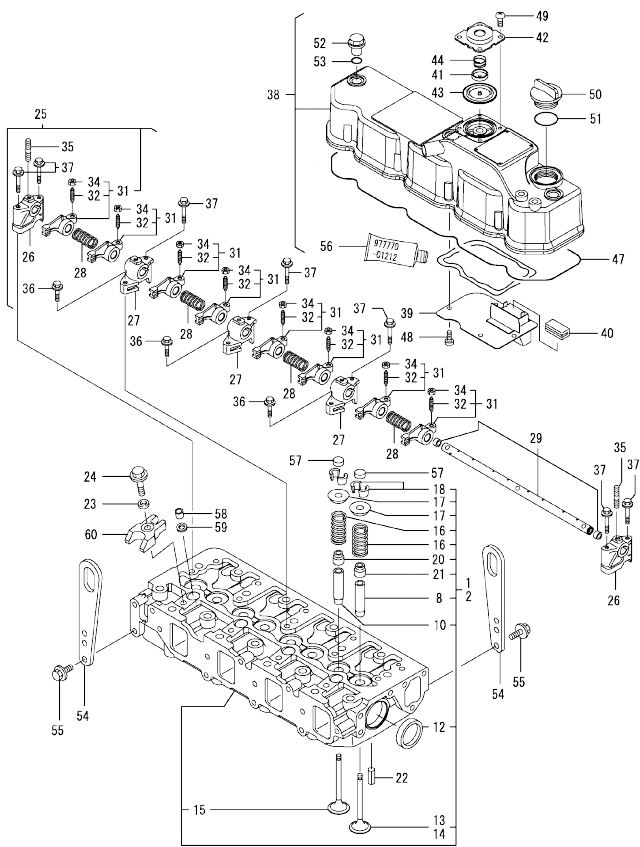
(A)=4TNV88-DSA
 (B)=4TNV88-DSA2
 (C)=4TNV88-DSA3

(D)=4TNV88-GGE
 (E)=
 (F)=

No.	Lev.	Parts No.	Description	Q'ty						I	R
				(A)	(B)	(C)	(D)	(E)	(F)		
1	1	129602-11700	HEAD ASSY, CYLINDER								
2	1	129601-11700	HEAD ASSY, CYLINDER					1			
8	2	120130-11860	GUIDE, VALVE	4	4	4	4				
10	2	129150-11810	GUIDE, VALVE	4	4	4	4				1
12	2	27241-400000	PLUG, 40	2	2	2	2				
13	2	129005-11100	VALVE, INTAKE	4	4	4					
14	2	129004-11100	VALVE, SUCTION							4	
15	2	129100-11110	VALVE, EXHAUST	4	4	4	4				
16	2	129795-11120	SPRING, VALVE	8	8	8	8				
17	2	129795-11180	RETAINER, SPRING	8	8	8	8				
18	2	27310-080001	COTTER, 8	8	8	8	8				
20	2	121400-11340	SEAL, VALVE STEM	4	4	4	4				
21	2	124460-11340	SEAL, VALVE STEM	4	4	4	4				
22	1	22351-060012	PIN, SPRING 6.0X12	2	2	2	2				
23	1	120270-54410	WASHER, INJECTOR	4	4	4	4				
24	1	26106-080352	BOLT, M8X 35 PLATED	4	4	4	4				
25	1	129601-11241	SHAFT ASSY, ROCKER	1	1	1	1				
26	2	119802-11260	SUPPORT, ROCKER ARM	2	2	2	2				
27	2	119802-11270	SUPPORT, ROCKER ARM	3	3	3	3				
28	2	129150-11280	SPRING, SHAFT	4	4	4	4				
29	2	129601-11251	SHAFT, ROCKER ARM	1	1	1	1				
31	2	129004-11650	ARM ASSY, ROCKER	8	8	8	8				
32	3	129150-11230	SCREW, VALVE ADJUST	8	8	8	8				
34	3	129150-11750	NUT, M8XP1.0	8	8	8	8				
35	2	26226-080182	STUD, M8X 18	3	3	3	3				
36	1	26106-080252	BOLT, M8X 25 PLATED	3	3	3	3				
37	1	26106-080502	BOLT, M8X 50 PLATED	7	7	7	7				
38	1	129601-11350	BONNET ASSY, HEAD	1	1	1	1				
38-1	1	129236-11360	BONNET ASSY, HEAD	1	1	1	1				N
		(A=E116928) (B=*2018.02) (C=*2018.02) (D=*2018.02)									
39	2	129004-03010	PLATE, BAFFLE	1	1	1	1				
40	2	129150-03070	BAFFLE, BREATHER	1	1	1	1				
41	2	119802-03110	PLATE, DIAPHRAGM	1	1	1	1				
42	2	119802-03121	COVER, DIAPHRAGM	1	1	1	1				
42-1	2	129236-03120	COVER, DIAPHRAGM	1	1	1	1				N
		(A=E116928) (B=*2018.02) (C=*2018.02) (D=*2018.02)									
43	2	119802-03130	DIAPHRAGM, BREATHER	1	1	1	1				
44	2	119802-03141	SPRING, DIAPHRAGM	1	1	1	1				
47	2	129601-11310	GASKET, BONNET	1	1	1	1				
48	2	22857-500100	SCREW, 5X10	4	4	4	4				
49	2	22857-500100	SCREW, 5X10	4	4	4	4				
50	1	124160-01751	CAP, FILLER	1	1	1	1				
51	1	24311-000320	O-RING, 1AP32.0	1	1	1	1				
52	1	124160-11360	KNOB, BONNET	3	3	3	3				
53	1	24311-000120	O-RING, 1AP12.0	3	3	3	3				
54	1	129900-07900	LIFTER, ENGINE	2	2	2	2				
55	1	26106-080142	BOLT, M8X 14 PLATED	4	4	4	4				
56	1	977770-01212	GASKET, LIQUID	1	1	1	1				2
57	1	129150-11370	CAP, VALVE	8	8	8	8				
58	1	119802-11870	PROTECTOR, NOZZLE	4	4	4	4				
59	1	119625-11880	SEAT, NOZZLE	4	4	4	4				

N:Old $\frac{New}{Old}$ New, Q:Old $\frac{New}{Old}$ New, R:Old $\frac{New}{Old}$ New, S:Old $\frac{New}{Old}$ New, W:Add, Z:Discontinued, F:Interchangeable by set, K:Q'ty Change
 ++ CONTINUE ++
 Copyright (C) YANMAR CO., LTD. All Rights Reserved.

Fig.5. CYLINDER HEAD & BONNET



(A)=4TNV88-DSA
(B)=4TNV88-DSA2
(C)=4TNV88-DSA3

(D)=4TNV88-GGE
(E)=
(F)=

No.	Lev.	Parts No.	Description	Q'ty						I	R
				(A)	(B)	(C)	(D)	(E)	(F)		
60	1	129004-11900	RETAINER, NOZZLE	4	4	4	4				

Remarks

- (1)Repair parts.
- (2)Optional parts.

Fig.6. SUCTION MANIFOLD

(A)=4TNV88-DSA
(B)=4TNV88-DSA2
(C)=4TNV88-DSA3

(D)=4TNV88-GGE
(E)=
(F)=

No.	Lev.	Parts No.	Description	Q'ty					
				(A)	(B)	(C)	(D)	(E)	(F)
1	1	129601-03080	HOSE ASSY, BREATHER	1	1	1	1		
2	2	129410-03990	CLAMP, HOSE 21.5	2	2	2	2		
3	1	129601-12100	MANIFOLD, INTAKE	1	1	1	1		
5	1	129407-12110	GASKET, MANIFOLD	1	1	1	1		
6	1	26106-080202	BOLT, M8X 20 PLATED	6	6	6	6		
7	1	26106-080802	BOLT, M8X 80 PLATED	1	1	1	1		
8	1	129120-77501	HEATER, AIR	1	1	1	1		
9	1	129150-77511	GASKET, AIR HEATER	1	1	1	1		
10	1	26106-080352	BOLT, M8X 35 PLATED	4	4	4	4		

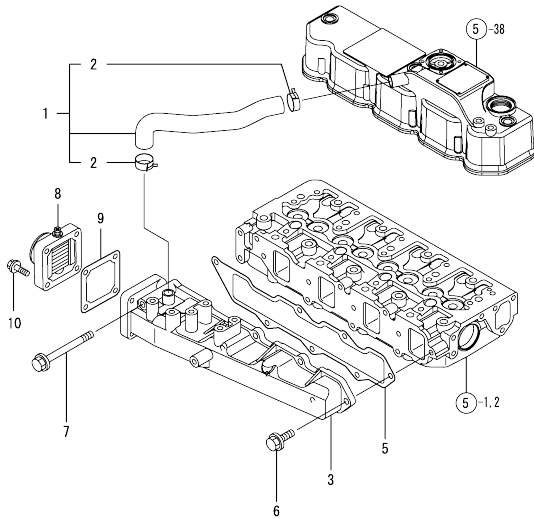


Fig.7. EXHAUST MANIFOLD

(A)=4TNV88-DSA
 (B)=4TNV88-DSA2
 (C)=4TNV88-DSA3

(D)=4TNV88-GGE
 (E)=
 (F)=

No.	Lev.	Parts No.	Description	Q'ty						I	R
				(A)	(B)	(C)	(D)	(E)	(F)		
1	1	129601-13109	MANIFOLD, EXHAUST	1	1	1	1				
2	1	129550-13110	GASKET, MANIFOLD	1	1	1	1				
3	1	123900-13610	STUD, M8X80	2	2	2	2				
4	1	123900-13630	BOLT, M8X80	6	6	6	6				
5	1	119131-18320	STUD, M8X22	4	4	4	4				
6	1	26306-080002	NUT, M8	2	2	2	2				
7	1	129930-13200	GASKET, SILENCER	1	1	1	1				

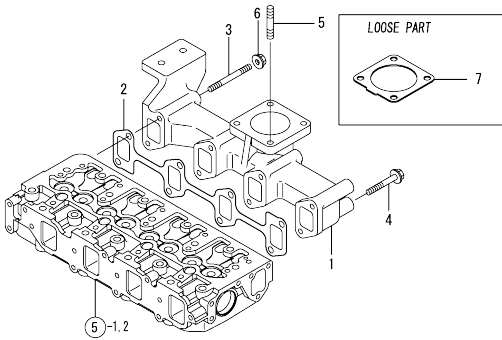
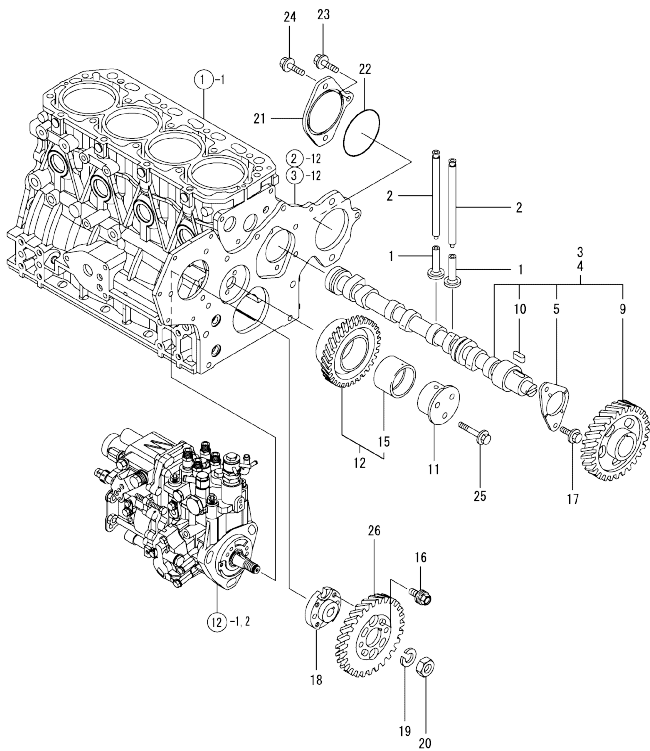


Fig.8. CAMSHAFT & DRIVING GEAR



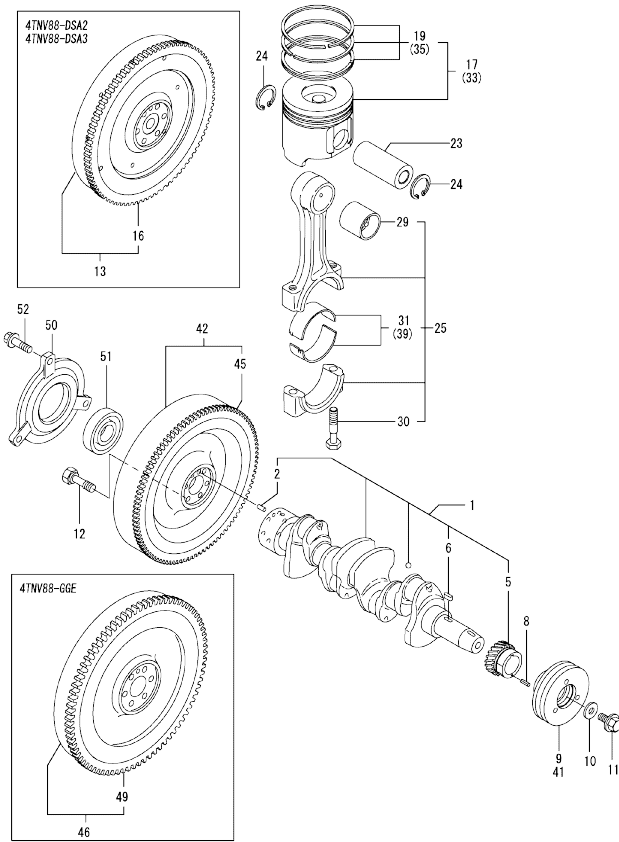
(A)=4TNV88-DSA
(B)=4TNV88-DSA2
(C)=4TNV88-DSA3

(D)=4TNV88-GGE
(E)=
(F)=

No.	Lev.	Parts No.	Description	Q'ty						I	R
				(A)	(B)	(C)	(D)	(E)	(F)		
1	1	129150-14200	TAPPET	8	8	8	8				
2	1	129150-14400	ROD, PUSH L=178	8	8	8	8				
3	1	729402-14580	CAMSHAFT ASSY	1	1	1					
4	1	729601-14580	CAMSHAFT ASSY						1		
5	2	129150-02450	METAL, THRUST	1	1	1	1				
9	2	129150-14101	GEAR, CAMSHAFT	1	1	1	1				
10	2	22512-070140	KEY, 7X 14	1	1	1	1				
11	1	119802-25051	SHAFT, IDLE GEAR	1	1	1	1				
12	1	119802-25100	GEAR ASSY, IDLE	1	1	1	1				
15	2	119802-25070	BUSH, IDLE GEAR	1	1	1	1				1
16	1	129150-25301	BOLT, INJECTION PUMP	4	4	4	4				
17	1	26106-080142	BOLT, M8X 14 PLATED	2	2	2	2				
18	1	158552-51151	FLANGE, CAMSHAFT	1	1	1	1				
19	1	22217-140000	WASHER, SPRING 14	1	1	1	1				
20	1	26776-140002	NUT, LOCK M14	1	1	1	1				
21	1	129430-26070	COVER, PUMP	1	1	1	1				
22	1	24321-000800	O-RING, 1AG80.0	1	1	1	1				
23	1	26106-080252	BOLT, M8X 25 PLATED	1	1	1	1				
24	1	26106-100302	BOLT, M10X 30 PLATED	2	2	2	2				
25	1	26106-080402	BOLT, M8X 40 PLATED	3	3	3	3				
26	1	119802-25901	GEAR, PUMP	1	1	1	1				

Remarks
(1)Repair parts.

Fig.9. CRANKSHAFT & PISTON



(A)=4TNV88-DSA
(B)=4TNV88-DSA2
(C)=4TNV88-DSA3

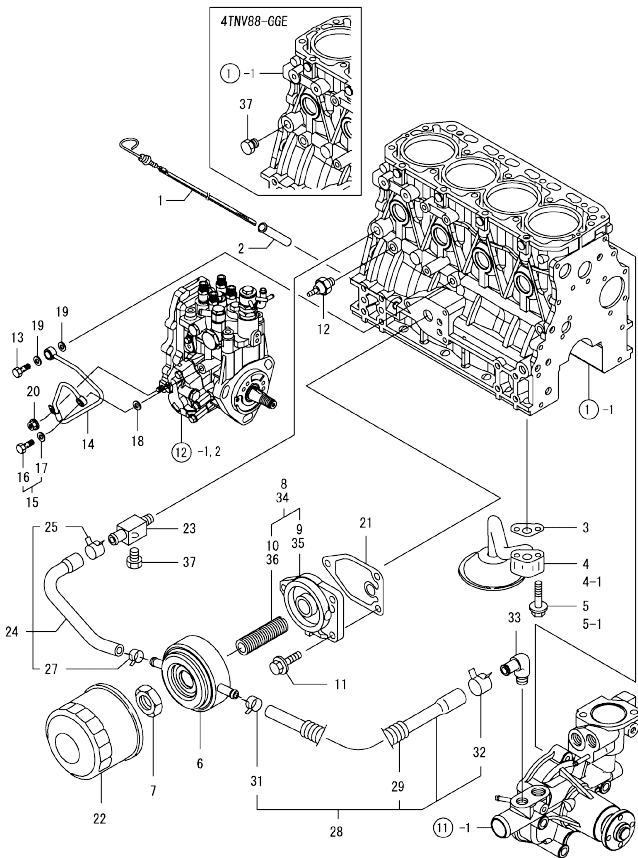
(D)=4TNV88-GGE
(E)=
(F)=

No.	Lev.	Parts No.	Description	Q'ty						I	R
				(A)	(B)	(C)	(D)	(E)	(F)		
1	1	129601-21002	CRANKSHAFT ASSY	1	1	1	1				
2	2	129100-01580	PIN, PARALLEL 8X16	1	1	1	1				
5	2	119802-21202	GEAR, CRANKSHAFT	1	1	1	1				
6	2	22512-070140	KEY, 7X 14	1	1	1	1				
8	1	22351-030010	PIN, SPRING 3.0X10	1	1	1	1				
9	1	119802-21650	V-PULLEY, CRANKSHAFT	1	1	1	1				
10	1	129795-21661	WASHER, 14	1	1	1	1				
11	1	121850-21680	BOLT, V-PULLEY	1	1	1	1				
12	1	121111-21501	BOLT, FLYWHEEL	6	6	6	6				
13	1	171420-21580	FLYWHEEL ASSY			1	1				
16	2	119865-21600	GEAR, RING Z=116			1	1				
17	1	129005-22080	PISTON ASSY	4	4	4	4				
19	2	129005-22500	RING SET, PISTON	4	4	4	4				
23	1	129202-22300	PIN, PISTON D26 L70	4	4	4	4				
24	1	22252-000260	RING, 26	8	8	8	8				
25	1	729402-23100	ROD ASSY, CONNECTING	4	4	4	4				
29	2	129100-23910	METAL, PISTON PIN	4	4	4	4				1
30	2	121550-23200	BOLT, CONNECTING ROD	8	8	8	8				
31	2	129150-23600	BEARING, CRANK PIN	4	4	4	4				
33	1	129005-22900	PISTON ASSY, 0.25 OS	4	4	4	4				2
35	2	129005-22950	RING SET, PISTON .25	4	4	4	4				2
39	1	129150-23610	METAL, CRANK PIN .25	4	4	4	4				3
41	1	119802-21660	V-PULLEY, CRANKSHAFT				1				
42	1	129488-21590	FLYWHEEL ASSY	1							
45	2	119865-21600	GEAR, RING Z=116	1							
46	1	171420-21590	FLYWHEEL ASSY							1	
49	2	124550-21600	GEAR, RING Z=127							1	
50	1	119888-21450	RETAINER, BEARING	1							
51	1	24104-062054	BEARING, BALL 6205UU	1							
52	1	26106-080222	BOLT, M8X 22 PLATED	3							

Remarks

- (1)Repair parts.
- (2)Over-sized(O.S.=0.25) parts.
- (3)Under-sized(U.S.=0.25) parts.

Fig.10. LUB. OIL SYSTEM



(A)=4TNV88-DSA
(B)=4TNV88-DSA2
(C)=4TNV88-DSA3

(D)=4TNV88-GGE
(E)=
(F)=

No.	Lev.	Parts No.	Description	Q'ty						I	R
				(A)	(B)	(C)	(D)	(E)	(F)		
1	1	129004-34801	DIPSTICK	1	1	1	1				
2	1	121520-34810	GUIDE, DIPSTICK	1	1	1	1				
3	1	129150-35041	GASKET	1	1	1	1				
3-1	1	129150-35042	GASKET, INLET PIPE	1	1	1	1				N
		(A=EXXXXX) (B=EXXXXX) (C=EXXXXX) (D=EXXXXX)									
4	1	129436-35091	PIPE ASSY, OIL INLET	1	1	1	1				
4-1	1	129436-35070	PIPE ASSY, OIL INLET	1	1	1	1				S
		(A=EZZZZZ) (B=EZZZZZ) (C=EZZZZZ) (D=EZZZZZ)									
5	1	26106-080352	BOLT, M8X 35 PLATED	2	2	2	2				
5-1	1	26106-080552	BOLT, M8X 55 PLATED	2	2	2	2				S
		(A=EZZZZZ) (B=EZZZZZ) (C=EZZZZZ) (D=EZZZZZ)									
6	1	129508-33010	COOLER ASSY, OIL	1	1	1	1				
7	1	129417-33110	NUT, OIL COOLER	1	1	1	1				
8	1	129006-35100	BRACKET ASSY, FILTER	1	1	1	1				
9	2	119802-35110	BRACKET, FILTER	1	1	1	1				
10	2	129417-35150	STUD, M20X67	1	1	1	1				
11	1	26106-080202	BOLT, M8X 20 PLATED	3	3	3	3				
12	1	114250-39450	SWITCH, HYDRAULIC	1	1	1	1				
13	1	124160-39140	BOLT, PIPE JOINT M10	1	1	1	1				
14	1	119802-39450	PIPE ASSY, OIL	1	1	1	1				
15	1	129005-59830	BOLT ASSY, JOINT M8	1	1	1	1				
16	2	23857-030000	BOLT, JOINT 3	1	1	1	1				
17	2	22190-080002	WASHER, SEAL 8	1	1	1	1				
18	1	22190-080002	WASHER, SEAL 8	1	1	1	1				
19	1	22190-100002	WASHER, SEAL 10	2	2	2	2				
20	1	26366-060002	NUT, M6	1	1	1	1				
21	1	129150-35111	GASKET, BRACKET	1	1	1	1				
22	1	129150-35170	FILTER ASSY, D80X80L	1	1	1	1				
23	1	129006-44480	JOINT, R02	1	1	1	1				
24	1	129508-49030	HOSE ASSY, COOLER IN	1	1	1	1				
25	2	171008-03990	CLAMP, HOSE 18.5	1	1	1	1				
27	2	23080-015000	CLAMP, 15	1	1	1	1				
28	1	129508-49040	HOSE ASSY, COOLER OUT	1	1	1	1				
29	2	119940-59130	TUBE, CORRUGATED 19	1	1	1	1				
31	2	23080-015000	CLAMP, 15	1	1	1	1				
32	2	23080-018000	CLAMP, 18	1	1	1	1				
33	1	129103-49301	ELBOW, PT1/4	1	1	1	1				
34	1	119802-35100	BRACKET ASSY, FILTER								1
35	2	119802-35110	BRACKET, FILTER								1
36	2	129100-35140	STUD								1
37	1	171056-49120	PLUG, DRAIN R1/4	1	1	1	1				

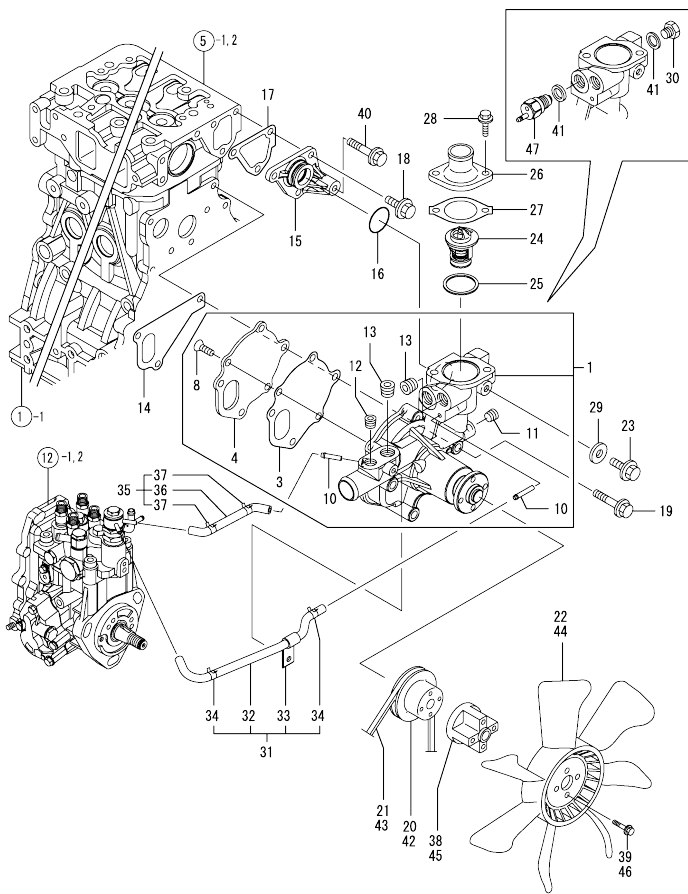
Remarks
(1)Repair parts.

N:Old $\frac{100}{100}$ New, Q:Old $\frac{100}{100}$ New, R:Old $\frac{100}{100}$ New, S:Old $\frac{100}{100}$ New, W:Add, Z:Discontinued, F:Interchangeable by set, K:Q'ty Change
Copyright (C) YANMAR CO., LTD. All Rights Reserved.

Fig.11. COOLING WATER SYSTEM

(A)=4TNV88-DSA
(B)=4TNV88-DSA2
(C)=4TNV88-DSA3

(D)=4TNV88-GGE
(E)=
(F)=



No.	Lev.	Parts No.	Description	Q'ty						I	R
				(A)	(B)	(C)	(D)	(E)	(F)		
1	1	129004-42001	PUMP ASSY, WATER	1	1	1	1				
3	2	129100-42051	GASKET, WATER PUMP	1	1	1	1				
4	2	129100-42121	PLATE, PUMP	1	1	1	1				
8	2	121850-42410	SCREW	3	3	3	3				
10	2	119802-49113	JOINT, PIPE	2	2	2	2				
11	2	23876-010000	PLUG, R01	1	1	1	1				
12	2	23876-020000	PLUG, R02	1	1	1	1				
13	2	129916-49740	PLUG, R3/8	2	2	2	2				
14	1	129486-42021	GASKET, WATER PUMP	1	1	1	1				
15	1	129004-42040	JOINT, WATER PIPE	1	1	1	1				
16	1	129486-42140	O-RING, G30	1	1	1	1				
17	1	124395-49840	GASKET, THERMOSTAT	1	1	1	1				
18	1	26106-080162	BOLT, M8X 16 PLATED	3	3	3	3				
19	1	26106-080602	BOLT, M8X 60 PLATED	3	3	3	3				
20	1	129403-42380	V-PULLEY, PUMP	1	1	1	1				
21	1	119865-42290	V-BELT, A36.5	1	1	1	1				
22	1	129655-44740	FAN, COOLING D=380	1	1	1	1				
23	1	26106-080122	BOLT, M8X 12 PLATED	1	1	1	1				
24	1	129155-49801	THERMOSTAT, 71C	1	1	1	1				
25	1	129150-49811	GASKET, THERMOSTAT	1	1	1	1				
26	1	129350-49530	COVER, THERMOSTAT	1	1	1	1				
27	1	129795-49551	GASKET, COVER	1	1	1	1				
28	1	26106-080222	BOLT, M8X 22 PLATED	2	2	2	2				
29	1	23414-080000	GASKET, 8X1.0	1	1	1	1				
30	1	121450-42450	PLUG, M16	1	1	1	1				
31	1	129004-49610	HOSE ASSY, WATER A	1	1	1	1				
32	2	129004-49711	HOSE, WATER A	1	1	1	1				
33	2	119802-49730	RETAINER, PIPE	1	1	1	1				
34	2	124722-59050	CLAMP, HOSE 9	2	2	2	2				
35	1	129004-49620	HOSE ASSY, WATER B	1	1	1	1				
36	2	129004-49721	HOSE, WATER B	1	1	1	1				
37	2	124722-59050	CLAMP, HOSE 9	2	2	2	2				
38	1	171353-44760	SPACER, FAN 25MM	1	1	1	1				
39	1	26106-060402	BOLT, M6X 40 PLATED	4	4	4	4				
40	1	26106-080452	BOLT, M8X 45 PLATED	1	1	1	1				
41	1	124465-44950	GASKET, 16	2	2	2	2				
42	1	129155-42350	V-PULLEY, PUMP								1
43	1	119831-42290	V-BELT, A37.5								1
44	1	129612-44700	FAN, COOLING								1
45	1	121267-44760	SPACER, FAN 18MM								1
46	1	26106-060302	BOLT, M6X 30 PLATED								4
47	1	121250-44901	SWITCH, TEMPERATURE	1	1	1	1				1

Fig.12. FUEL INJECTION PUMP

(A)=4TNV88-DSA
 (B)=4TNV88-DSA2
 (C)=4TNV88-DSA3

(D)=4TNV88-GGE
 (E)=
 (F)=

No.	Lev.	Parts No.	Description	Q'ty						I	R
				(A)	(B)	(C)	(D)	(E)	(F)		
1	1	729602-51310	PUMP ASSY, INJECTION	1	1	1					
2	1	729647-51390	PUMP ASSY, INJECTION				1				
3	1	26106-080162	BOLT, M8X 16 PLATED	1	1	1	1				
4	1	26106-080202	BOLT, M8X 20 PLATED	1	1	1	1				
5	1	129601-51250	RETAINER, FUEL PUMP	1	1	1	1				

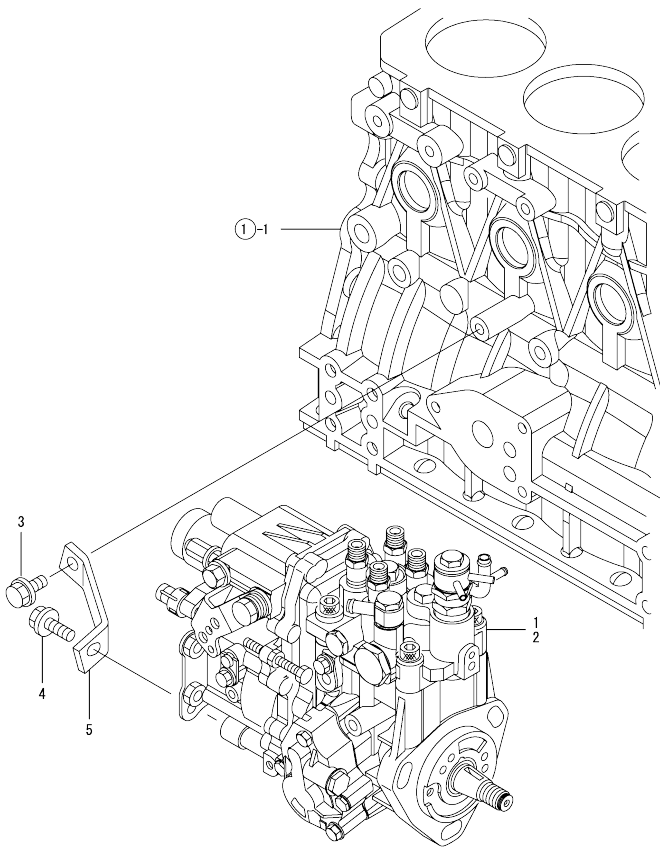
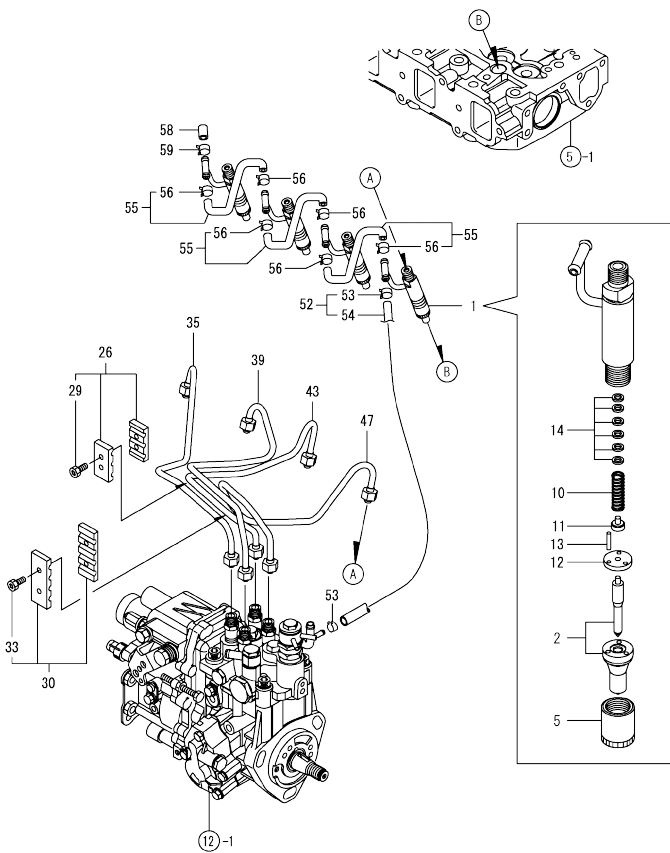


Fig.13. FUEL INJECTION VALVE

(A)=4TNV88-DSA
(B)=4TNV88-DSA2
(C)=4TNV88-DSA3

(D)=4TNV88-GGE
(E)=
(F)=



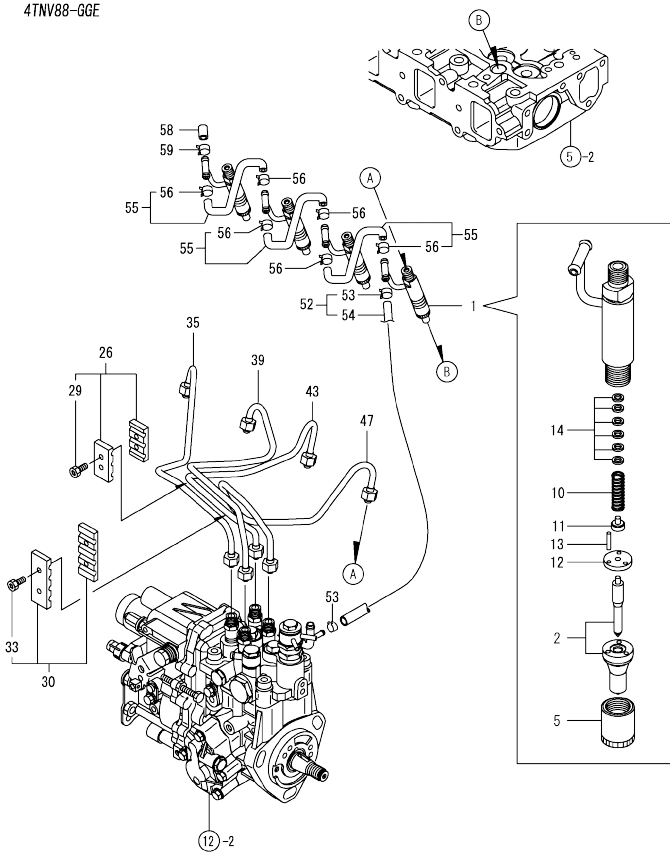
No.	Lev.	Parts No.	Description	Q'ty					
				(A)	(B)	(C)	(D)	(E)	(F)
1	1	729602-53101	VALVE ASSY,INJECTION	4	4	4			
2	2	129602-53001	VALVE ASSY,INJECTION	4	4	4			
5	2	114250-53080	NUT, NOZZLE	4	4	4			
10	2	114250-53120	SPRING, NOZZLE	4	4	4			
11	2	114250-53130	SEAT, SPRING	4	4	4			
12	2	114250-53140	SPACER, VALVE STOP	4	4	4			
13	2	114250-53210	PIN, POSITIONING	8	8	8			
14	2	114250-53400	SHIM SET	4	4	4			
26	1	129150-59120	RETAINER, PIPE	1	1	1			
29	2	129150-59131	BOLT, M4X14	2	2	2			
30	1	129550-59120	RETAINER, PIPE	1	1	1			
33	2	129150-59131	BOLT, M4X14	2	2	2			
35	1	129601-59810	PIPE ASSY, INJECTION	1	1	1			
39	1	129601-59820	PIPE ASSY, INJECTION	1	1	1			
43	1	129601-59830	PIPE ASSY, INJECTION	1	1	1			
47	1	129601-59840	PIPE ASSY, INJECTION	1	1	1			
52	1	119802-59550	HOSE ASSY, RETURN	1	1	1			
53	2	124722-59050	CLAMP, HOSE 9	2	2	2			
54	2	119802-59560	HOSE, FUEL RETURN	1	1	1			
55	1	129486-59551	HOSE ASSY, RETURN	3	3	3			
56	2	124722-59050	CLAMP, HOSE 9	6	6	6			
58	1	119593-59580	CAP	1	1	1			
59	1	124060-77680	CLAMP, HOSE 10	1	1	1			

Fig.14. FUEL INJECTION VALVE

(A)=4TNV88-DSA
(B)=4TNV88-DSA2
(C)=4TNV88-DSA3

(D)=4TNV88-GGE
(E)=
(F)=

4TNV88-GGE

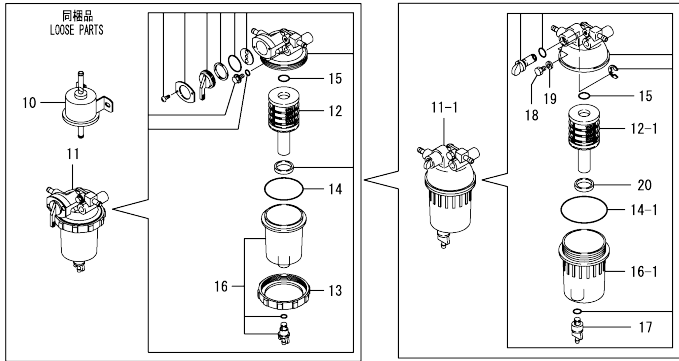
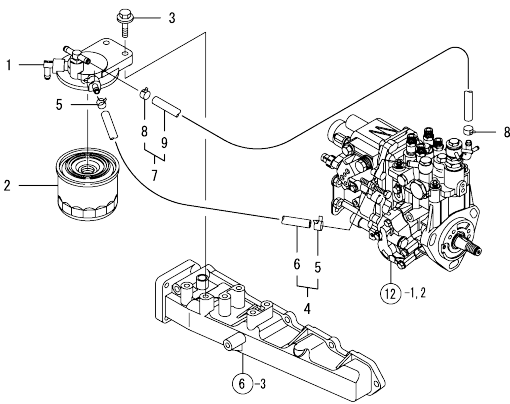


No.	Lev.	Parts No.	Description	Q'ty						I	R	
				(A)	(B)	(C)	(D)	(E)	(F)			
1	1	729246-53101	VALVE ASSY,INJECTION									
2	2	129246-53001	VALVE ASSY,INJECTION									
5	2	114250-53080	NUT, NOZZLE									
10	2	114250-53120	SPRING, NOZZLE									
11	2	114250-53130	SEAT, SPRING									
12	2	114250-53140	SPACER, VALVE STOP									
13	2	114250-53210	PIN, POSITIONING									
14	2	114250-53400	SHIM SET									
26	1	129150-59120	RETAINER, PIPE									
29	2	129150-59131	BOLT, M4X14									
30	1	129550-59120	RETAINER, PIPE									
33	2	129150-59131	BOLT, M4X14									
35	1	129601-59810	PIPE ASSY, INJECTION									
39	1	129601-59820	PIPE ASSY, INJECTION									
43	1	129601-59830	PIPE ASSY, INJECTION									
47	1	129601-59840	PIPE ASSY, INJECTION									
52	1	119802-59550	HOSE ASSY, RETURN									
53	2	124722-59050	CLAMP, HOSE 9									
54	2	119802-59560	HOSE, FUEL RETURN									
55	1	129486-59551	HOSE ASSY, RETURN									
56	2	124722-59050	CLAMP, HOSE 9									
58	1	119593-59580	CAP									
59	1	124060-77680	CLAMP, HOSE 10									

Fig.15. FUEL PIPING

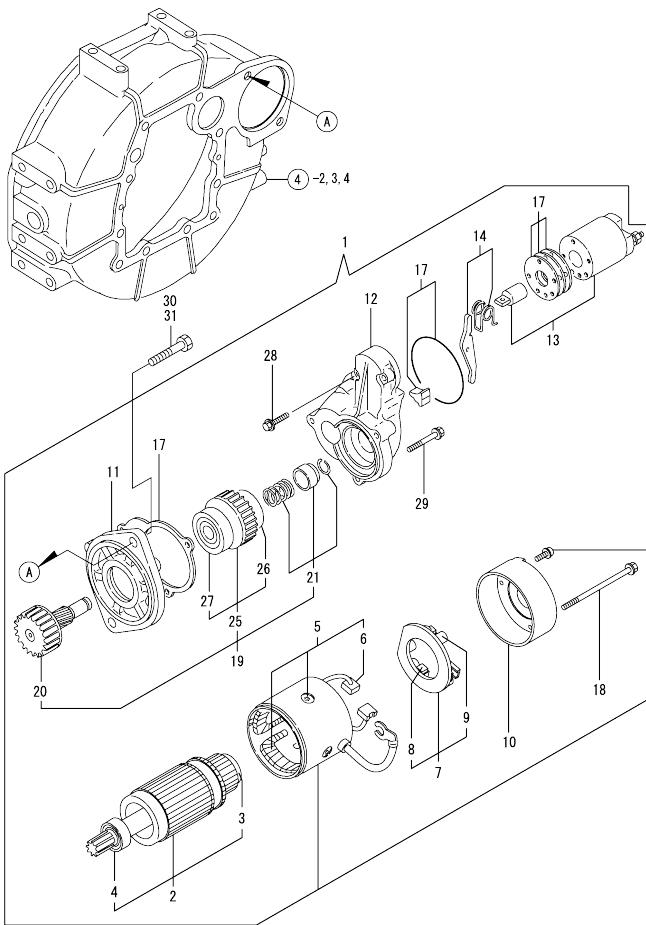
(A)=4TNV88-DSA
(B)=4TNV88-DSA2
(C)=4TNV88-DSA3

(D)=4TNV88-GGE
(E)=
(F)=



No.	Lev.	Parts No.	Description	Qty						I	R
				(A)	(B)	(C)	(D)	(E)	(F)		
1	1	129004-55610	BRACKET, FILTER	1	1	1	1				
2	1	119802-55800	FILTER, FUEL	1	1	1	1				
3	1	26106-080302	BOLT, M8X 30 PLATED	2	2	2	2				
4	1	129210-59090	HOSE ASSY, FUEL L290	1	1	1	1				
5	2	124766-59050	CLAMP, HOSE 11.5	2	2	2	2				
6	2	105325-59570	PIPE, FUEL	1	1	1	1				
7	1	129210-59150	HOSE ASSY, FUEL L400	1	1	1	1				
8	2	124766-59050	CLAMP, HOSE 11.5	2	2	2	2				
9	2	105025-59530	HOSE, FUEL D13X400	1	1	1	1				
10	1	119225-52102	PUMP, FUEL FEED	1	1	1	1				
11	1	119802-55700	SEPARATOR ASSY,WATER	1	1	1	1				
11-1	1	129242-55700	SEPARATOR ASSY,WATER	1	1	1	1				N
		(A=*2008.08.) (B=*2008.08.) (C=*2008.08.) (D=*2008.08.)									
12	2	119802-55710	ELEMENT, FUEL	1	1	1	1				
12-1	2	129242-55730	ELEMENT, FUEL FILTER	1	1	1	1				S
		(A=*2008.08.) (B=*2008.08.) (C=*2008.08.) (D=*2008.08.)									
13	2	129100-55690	NUT, RETAINING	1	1	1	1				Z
		(A=*2008.08.) (B=*2008.08.) (C=*2008.08.) (D=*2008.08.)									
14	2	24321-000650	O-RING, 1AG65.0	1	1	1	1				
14-1	2	24321-000750	O-RING, 1AG75.0	1	1	1	1				S
		(A=*2008.08.) (B=*2008.08.) (C=*2008.08.) (D=*2008.08.)									
15	2	24311-000160	O-RING, 1AP16.0	1	1	1	1				
16	2	119802-55730	CUP ASSY, SEPARATOR	1	1	1	1				W
		(A=FROM 1ST) (B=FROM 1ST) (C=FROM 1ST) (D=FROM 1ST)									
16-1	2	129242-55720	CUP, SEPARATOR	1	1	1	1				S
		(A=*2008.08.) (B=*2008.08.) (C=*2008.08.) (D=*2008.08.)									
17	2	129242-55740	PLUG, DRAIN	1	1	1	1				W
		(A=*2008.08.) (B=*2008.08.) (C=*2008.08.) (D=*2008.08.)									
18	2	129242-55750	VALVE, AIR VENT	1	1	1	1				W
		(A=*2008.08.) (B=*2008.08.) (C=*2008.08.) (D=*2008.08.)									
19	2	129242-55760	GASKET, PLUG	1	1	1	1				W
		(A=*2008.08.) (B=*2008.08.) (C=*2008.08.) (D=*2008.08.)									
20	2	129242-55770	FLOAT	1	1	1	1				W
		(A=*2008.08.) (B=*2008.08.) (C=*2008.08.) (D=*2008.08.)									

Fig.16. STARTER MOTOR



(A)=4TNV88-DSA
(B)=4TNV88-DSA2
(C)=4TNV88-DSA3

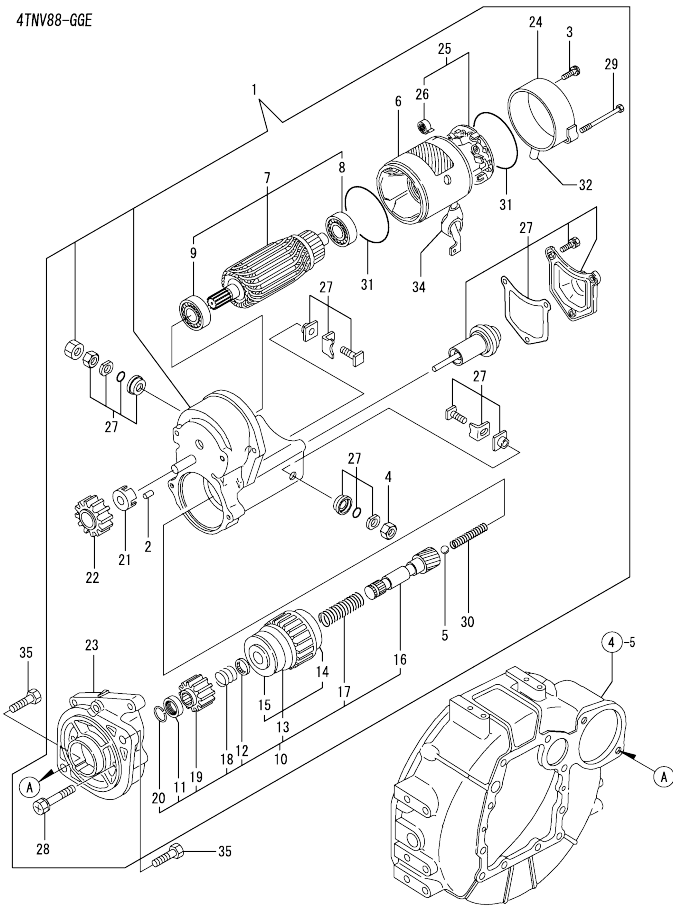
(D)=4TNV88-GGE
(E)=
(F)=

No.	Lev.	Parts No.	Description	Qty					
				(A)	(B)	(C)	(D)	(E)	(F)
1	1	129400-77012	STARTER	1	1	1			
2	2	129486-77400	ARMATURE ASSY	1	1	1			
3	3	171008-77410	BEARING, BALL 1	1	1	1			
4	3	171008-77420	BEARING, BALL 2	1	1	1			
5	2	129400-77441	COIL ASSY, FIELD	1	1	1			
6	3	129486-77460	BRUSH	2	2	2			
7	2	129486-77470	HOLDER ASSY, BRUSH	1	1	1			
8	3	129486-77460	BRUSH	2	2	2			
9	3	129486-77490	SPRING, BRUSH	4	4	4			
10	2	129900-77460	COVER, REAR	1	1	1			
11	2	171008-77510	CASE, GEAR	1	1	1			
12	2	129400-77520	HOUSING, STARTOR	1	1	1			
13	2	129400-77531	SWITCH ASSY, MAGNET	1	1	1			
14	2	171008-77540	LEVER SET, SHIFT	1	1	1			
17	2	129400-77571	COVER KIT, DUST	1	1	1			
18	2	129900-77640	BOLT, THROUGH	2	2	2			
19	2	171008-77650	PINION ASSY,W/CLUTCH	1	1	1			
20	3	171008-77660	SHAFT, PINION	1	1	1			
21	3	171008-77670	STOPPER SET, PINION	1	1	1			
25	3	X2114555500	CLUTCH ASSY	1	1	1			
26	4	X2114955020	BEARING, BALL	1	1	1			
27	4	X2240410100	BEARING, BALL	1	1	1			
28	2	26106-060322	BOLT, M6X 32 PLATED	2	2	2			
29	2	26106-060402	BOLT, M6X 40 PLATED	3	3	3			
30	1	26116-120252	BOLT, M12X 25 PLATED	2	2				
31	1	26116-120202	BOLT, M12X 20 PLATED			2			

Fig.17. STARTER MOTOR

(A)=4TNV88-DSA
(D)=4TNV88-GGE
(B)=4TNV88-DSA2
(E)=
(C)=4TNV88-DSA3
(F)=

4TNV88-GGE

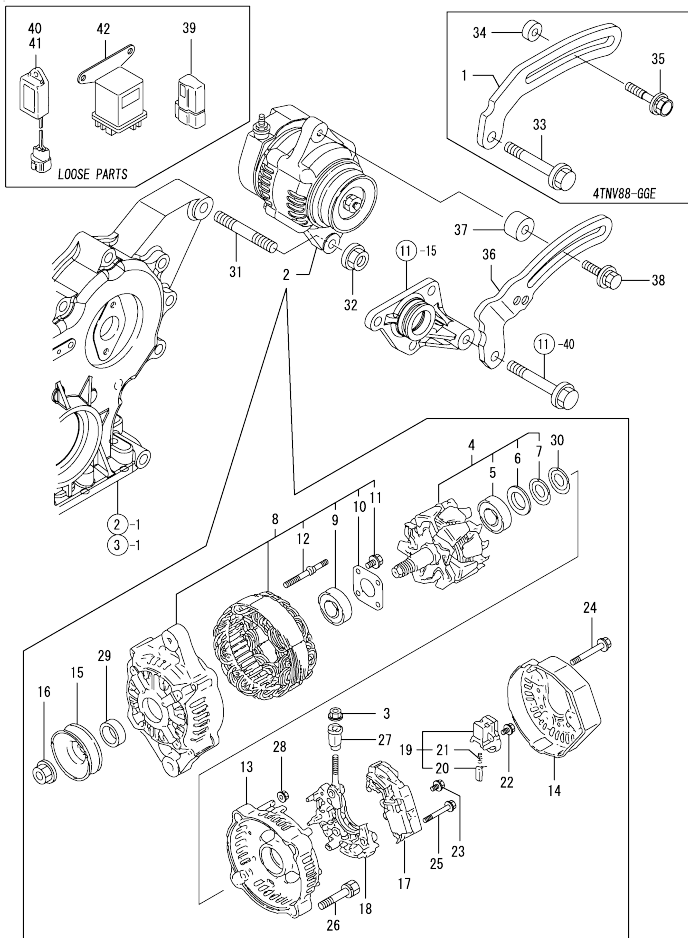


No.	Lev.	Parts No.	Description	Q'ty						I	R	
				(A)	(B)	(C)	(D)	(E)	(F)			
1	1	129407-77010	STARTER, RA1.4									
2	2	X0283060061	ROLLER				5					
3	2	129129-77460	SCREW				2					
4	2	X9490561370	NUT				1					
5	2	X9491200240	BALL, STEEL				1					
6	2	129407-77210	YOKE ASSY				1					
7	2	129407-77220	ARMATURE ASSY				1					
8	3	129129-77230	BEARING, BALL				1					
9	3	129129-77240	BEARING, BALL				1					
10	2	129407-77250	STARTER				1					
11	3	X0280210230	NUT, PINION STOP				1					
12	3	X0283270140	RETAINER, SNAP				1					
13	3	129407-77390	CLUTCH ASSY, STARTER				1					
14	4	129129-77440	BEARING, BALL				1					
15	4	129129-77450	BEARING, BALL				1					
16	3	129129-77400	SHAFT, STARTER				1					
17	3	129129-77410	SPRING, COIL				1					
18	3	X9491703371	SPRING, COIL				1					
19	3	129129-77420	PINION, STARTER				1					
20	3	129129-77430	RING, SNAP				1					
21	2	129129-77260	RETAINER				1					
22	2	129129-77270	PINION				1					
23	2	129407-77280	HOUSING, STARTOR				1					
24	2	129407-77290	FRAME				1					
25	2	129407-77300	HOLDER ASSY				1					
26	3	X9491730461	SPRING, BRUSH				4					
27	2	129407-77310	SWITCH ASSY, MAGNET				1					
28	2	129129-77320	BOLT, W/WASHER				2					
29	2	129407-77330	BOLT				2					
30	2	129129-77340	SPRING				1					
31	2	129129-77350	O-RING				2					
32	2	129129-77362	COVER				1					
34	2	129129-77380	CAP				1					
35	1	26116-120252	BOLT, M12X 25 PLATED				2					

Fig.18. GENERATOR

(A)=4TNV88-DSA
(B)=4TNV88-DSA2
(C)=4TNV88-DSA3

(D)=4TNV88-GGE
(E)=
(F)=

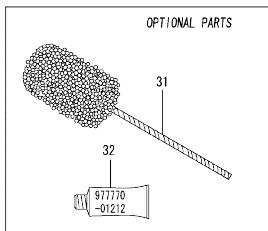
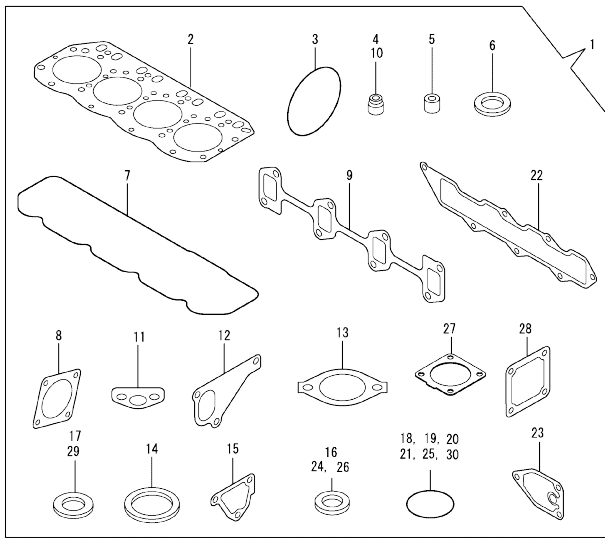


No.	Lev.	Parts No.	Description	Q'ty						I	R	
				(A)	(B)	(C)	(D)	(E)	(F)			
1	1	119940-77330	ADJUSTER, BELT								1	
2	1	129423-77200	GENERATOR, 12V-40A	1	1	1	1					
3	2	X9490561001	NUT	1	1	1	1					
4	2	119620-77380	ROTOR ASSY	1	1	1	1					
5	3	119620-79240	BEARING, BALL	1	1	1	1					
6	3	119620-79250	COVER, BEARING	1	1	1	1					
7	3	119620-79360	WASHER, THRUST	1	1	1	1					
8	2	119620-77421	FRAME ASSY, DRIVE	1	1	1	1					
9	3	119620-79200	BEARING, BALL	1	1	1	1					
10	3	119620-79210	PLATE, RETAINER	1	1	1	1					
11	3	119620-79220	SCREW	4	4	4	4					
12	3	119620-79230	STUD	2	2	2	2					
13	2	119620-77440	FRAME ASSY, REAR	1	1	1	1					
14	2	129240-79300	COVER	1	1	1	1					
15	2	119620-77461	PULLEY, GENERATOR	1	1	1	1					
16	2	119620-77471	NUT	1	1	1	1					
17	2	129423-77710	REGULATOR ASSY	1	1	1	1					
18	2	119620-79260	HOLDER ASSY	1	1	1	1					
19	2	119620-79270	HOLDER ASSY, BRUSH	1	1	1	1					
20	3	119620-77480	BRUSH ASSY, SUB	2	2	2	2					
21	3	119620-79280	SPRING	2	2	2	2					
22	2	119620-79290	SCREW	1	1	1	1					
23	2	119620-79300	SCREW	1	1	1	1					
24	2	119620-79310	BOLT	3	3	3	3					
25	2	119620-79320	SCREW, W/WASHER	2	2	2	2					
26	2	119620-79330	BOLT	2	2	2	2					
27	2	119620-79340	BUSH, INSULATION	1	1	1	1					
28	2	119620-79350	NUT	2	2	2	2					
29	2	119620-77490	COLLAR	1	1	1	1					
30	2	119620-79360	WASHER, THRUST	1	1	1	1					
31	1	129795-01900	BOLT, M10X30	1	1	1	1					
32	1	26306-100002	NUT, M10	1	1	1	1					
33	1	26106-080452	BOLT, M8X 45 PLATED								1	
34	1	119940-77270	SPACER, GENERATOR								1	
35	1	119802-77340	BOLT, ADJUSTER L=40								1	
36	1	129064-77330	ADJUSTER, BELT	1	1	1	1					
37	1	129067-77340	SPACER, ADJUSTER	1	1	1	1					
38	1	26014-080452	BOLT, M8X 45	1	1	1	1					
39	1	119643-66900	DIODE	1	1	1	1				1	
40	1	128300-77920	TIMER, GLOW PLUG	1	1	1	1					
41	1	129211-77920	TIMER, SECTION 1	1	1	1	1					
42	1	119650-77910	RELAY ASSY, GLOW	1	1	1	1					

Fig.19. GASKET SET

(A)=4TNV88-DSA
(B)=4TNV88-DSA2
(C)=4TNV88-DSA3

(D)=4TNV88-GGE
(E)=
(F)=



No.	Lev.	Parts No.	Description	Q'ty						I	R
				(A)	(B)	(C)	(D)	(E)	(F)		
1	1	729601-92780	GASKET SET	1	1	1	1				1
2	2	129407-01340	GASKET, HEAD	1	1	1	1				
3	2	121850-51960	O-RING, FUEL PUMP	1	1	1	1				
4	2	124460-11340	SEAL, VALVE STEM	4	4	4	4				
5	2	119802-11870	PROTECTOR, NOZZLE	4	4	4	4				
6	2	119625-11880	SEAT, NOZZLE	4	4	4	4				
7	2	129601-11310	GASKET, BONNET	1	1	1	1				
8	2	124240-01883	GASKET, PUMP	1	1	1	1				
9	2	129550-13110	GASKET, MANIFOLD	1	1	1	1				
10	2	121400-11340	SEAL, VALVE STEM	4	4	4	4				
11	2	129150-35041	GASKET	1	1	1	1				
12	2	129486-42021	GASKET, WATER PUMP	1	1	1	1				
13	2	129795-49551	GASKET, COVER	1	1	1	1				
14	2	129150-49811	GASKET, THERMOSTAT	1	1	1	1				
15	2	124395-49840	GASKET, THERMOSTAT	1	1	1	1				
16	2	22190-080002	WASHER, SEAL 8	2	2	2	2				
17	2	124465-44950	GASKET, 16	2	2	2	2				
18	2	24311-000120	O-RING, 1AP12.0	3	3	3	3				
19	2	24311-000320	O-RING, 1AP32.0	2	2	2	2				
20	2	24341-000240	O-RING, 1AS24.0	1	1	1	1				
21	2	129486-42140	O-RING, G30	1	1	1	1				
22	2	129407-12110	GASKET, MANIFOLD	1	1	1	1				
23	2	129150-35111	GASKET, BRACKET	1	1	1	1				
24	2	22190-220002	WASHER, SEAL 22	1	1	1	1				
25	2	119609-32040	O-RING, P16	4	4	4	4				
26	2	22190-100002	WASHER, SEAL 10	2	2	2	2				
27	2	129930-13200	GASKET, SILENCER	1	1	1	1				
28	2	129150-77511	GASKET, AIR HEATER	1	1	1	1				
29	2	23414-080000	GASKET, 8X1.0	1	1	1	1				
30	2	24321-000800	O-RING, 1AG80.0	1	1	1	1				
31	1	129400-92430	HONE, FLEX	1	1	1	1				1
32	1	977770-01212	GASKET, LIQUID	1	1	1	1				1

Remarks

(1)Optional parts.

Parts No. Index

Parts No.	Fig. No.	Ref. No.
105025-59530	15	9
105325-59570	15	6
114250-39450	10	12
114250-53080	13	5
	14	5
114250-53120	13	10
	14	10
114250-53130	13	11
	14	11
114250-53140	13	12
	14	12
114250-53210	13	13
	14	13
114250-53400	13	14
	14	14
119131-18320	7	5
119225-52102	15	10
119593-59580	13	58
	14	58
119609-32040	2	17
	3	17
	19	25
	4	22
119620-01750	18	4
119620-77380	18	8
119620-77421	18	13
119620-77440	18	15
119620-77461	18	16
119620-77471	18	20
119620-77480	18	29
119620-77490	18	9
119620-79200	18	10
119620-79210	18	11
119620-79220	18	12
119620-79230	18	5
119620-79240	18	6
119620-79250	18	18
119620-79260	18	19
119620-79270	18	21
119620-79280	18	22
119620-79290	18	23
119620-79300	18	24
119620-79310	18	25
119620-79320	18	26
119620-79330	18	27
119620-79340	18	28
119620-79350	18	7
119620-79360	18	30
	5	59
119625-11880	19	6

Parts No.	Fig. No.	Ref. No.
119640-01640	4	9
119643-66900	18	39
119650-77910	18	42
119802-01520	3	12
119802-01560	2	13
	3	13
119802-03110	5	41
119802-03121	5	42
119802-03130	5	43
119802-03141	5	44
119802-11260	5	26
119802-11270	5	27
119802-11870	5	58
	19	5
119802-21202	9	5
119802-21650	9	9
119802-21660	9	41
119802-25051	8	11
119802-25070	8	15
119802-25100	8	12
119802-25901	8	26
119802-32070	2	8
	3	8
119802-32100	2	7
	3	7
119802-32111	2	18
	3	18
119802-32120	2	19
	3	19
119802-32130	2	20
	3	20
119802-35100	10	34
119802-35110	10	9
	35	
119802-39450	10	14
119802-49113	11	10
119802-49730	11	33
119802-55700	15	11
119802-55710	15	12
119802-55730	15	16
119802-55800	15	2
119802-59550	13	52
	14	52
119802-59560	13	54
	14	54
119802-77340	18	35
119831-42290	11	43
119865-21600	9	16
	45	
119865-42290	11	21

Parts No.	Fig. No.	Ref. No.
119888-01600	4	2
119888-21450	9	50
119940-59130	10	29
119940-77270	18	34
119940-77330	18	1
120130-11860	5	8
120270-54410	5	23
121023-01550	2	28
	3	28
121111-21501	9	12
121250-44901	11	47
121267-44760	11	45
121400-11340	5	20
	19	10
121450-42450	11	30
121520-34810	10	2
121550-23200	9	30
121850-21680	9	11
121850-42410	11	8
121850-51960	2	21
	3	21
	19	3
123900-13610	7	3
123900-13630	7	4
124060-01050	1	10
124060-77680	13	59
	14	59
124160-01751	2	14
	3	14
	5	50
124160-01910	1	5
	15	
124160-11360	5	52
124160-39140	10	13
124240-01871	2	15
	32	
	3	15
124240-01883	2	33
	19	8
124395-49840	11	17
	19	15
124460-11340	5	21
	19	4
124465-44950	11	41
	19	17
124550-21600	9	49
124722-59050	11	34
	37	
	13	53
	56	

Parts No.	Fig. No.	Ref. No.
124722-59050	14	53
		56
124766-59050	15	5
		8
128300-77920	18	40
129001-01250	1	11
129001-02930	1	25
129001-32330	2	11
	3	11
129001-91841	2	22
	3	22
129004-01190	1	33
129004-03010	5	39
129004-11100	5	14
129004-11650	5	31
129004-11900	5	60
129004-34801	10	1
129004-42001	11	1
129004-42040	11	15
129004-49610	11	31
129004-49620	11	35
129004-49711	11	32
129004-49721	11	36
129004-55610	15	1
129005-01520	2	12
129005-11100	5	13
129005-22080	9	17
129005-22500	9	19
129005-22900	9	33
129005-22950	9	35
129005-59830	10	15
129006-35100	10	8
129006-44480	10	23
129064-77330	18	36
129067-77340	18	37
129100-01580	4	1
		15
129100-01640	9	2
	4	16
129100-11110	5	15
129100-23910	9	29
129100-35140	10	36
129100-42051	11	3
129100-42121	11	4
129100-55690	15	13
129103-49301	10	33
129120-77501	6	8
129129-01600	4	3
129129-77230	17	8
129129-77240	17	9

Parts No. Index

Parts No.	Fig. No.	Ref. No.
129129-77260	17	21
129129-77270	17	22
129129-77320	17	28
129129-77340	17	30
129129-77350	17	31
129129-77362	17	32
129129-77380	17	34
129129-77400	17	16
129129-77410	17	17
129129-77420	17	19
129129-77430	17	20
129129-77440	17	14
129129-77450	17	15
129129-77460	17	3
129150-01200	1	31
129150-02020	1	7
129150-02450	8	5
129150-02870	1	34
129150-02930	1	28
129150-02940	1	37
129150-03070	5	40
129150-11230	5	32
129150-11280	5	28
129150-11370	5	57
129150-11750	5	34
129150-11810	5	10
129150-14101	8	9
129150-14200	8	1
129150-14400	8	2
129150-23600	9	31
129150-23610	9	39
129150-25301	8	16
129150-35041	10	3
	19	11
129150-35042	10	3 -1
129150-35111	10	21
	19	23
129150-35170	10	22
129150-49811	11	25
	19	14
129150-59120	13	26
	14	26
129150-59131	13	29
		33
	14	29
		33
129150-77511	6	9
	19	28
129155-42350	11	42
129155-49801	11	24

Parts No.	Fig. No.	Ref. No.
129202-22300	9	23
129210-59090	15	4
129210-59150	15	7
129211-77920	18	41
129236-03120	5	42 -1
129236-11360	5	38 -1
129240-79300	18	14
129242-55700	15	11 -1
129242-55720	15	16 -1
129242-55730	15	12 -1
129242-55740	15	17
129242-55750	15	18
129242-55760	15	19
129242-55770	15	20
129246-53001	14	2
129350-49530	11	26
129400-01730	4	6
129400-01770	4	8
129400-77012	16	1
129400-77441	16	5
129400-77520	16	12
129400-77531	16	13
129400-77571	16	17
129400-92430	19	31
129403-42380	11	20
129407-01340	1	32
	19	2
129407-12110	6	5
	19	22
129407-77010	17	1
129407-77210	17	6
129407-77220	17	7
129407-77250	17	10
129407-77280	17	23
129407-77290	17	24
129407-77300	17	25
129407-77310	17	27
129407-77330	17	29
129407-77390	17	13
129410-03990	6	2
129417-33110	10	7
129417-35150	10	10
129418-32320	2	10
	3	10
129423-77200	18	2
129423-77710	18	17
129430-26070	8	21
129436-35070	10	4 -1
129436-35091	10	4
129486-01670	4	19

Parts No.	Fig. No.	Ref. No.
129486-42021	11	14
	19	12
129486-42140	11	16
	19	21
129486-59551	13	55
	14	55
129486-77400	16	2
129486-77460	16	6
		8
129486-77470	16	7
129486-77490	16	9
129488-21590	9	42
129508-33010	10	6
129508-49030	10	24
129508-49040	10	28
129550-13110	7	2
	19	9
129550-59120	13	30
	14	30
129601-03080	6	1
129601-11241	5	25
129601-11251	5	29
129601-11310	5	47
	19	7
129601-11350	5	38
129601-11700	5	2
129601-12100	6	3
129601-13109	7	1
129601-21002	9	1
129601-51250	12	5
129601-59810	13	35
	14	35
129601-59820	13	39
	14	39
129601-59830	13	43
	14	43
129601-59840	13	47
	14	47
129602-11700	5	1
129602-53001	13	2
129612-01600	4	4
129612-44700	11	44
129655-44740	11	22
129688-01780	4	8 -1
129795-01780	4	18
129795-01800	2	6
	3	6
129795-01900	18	31
129795-01950	2	16
	3	16

Parts No.	Fig. No.	Ref. No.
129795-02411	1	14
129795-11120	5	16
129795-11180	5	17
129795-21661	9	10
129795-49551	11	27
	19	13
129900-07900	5	54
129900-32130	2	9
	3	9
129900-77460	16	10
129900-77640	16	18
129916-49740	11	13
129930-13200	7	7
	19	27
158552-51151	8	18
171008-03990	10	25
171008-77410	16	3
171008-77420	16	4
171008-77510	16	11
171008-77540	16	14
171008-77650	16	19
171008-77660	16	20
171008-77670	16	21
171051-01921	1	6
171056-49120	10	37
171353-44760	11	38
171420-01600	4	5
171420-21580	9	13
171420-21590	9	46
22190-080002	10	17
	19	16
22190-100002	10	19
	19	26
22190-220002	4	11
	19	24
22217-140000	8	19
22252-000260	9	24
22351-030010	9	8
22351-060012	5	22
22512-070140	8	10
	9	6
22857-500100	5	48
	49	49
23080-015000	10	27
	31	31
23080-018000	10	32
23414-080000	11	29
	19	29
23857-030000	10	16

Parts No. Index

Parts No.	Fig. No.	Ref. No.
23876-010000	11	11
23876-020000	11	12
23876-030000	2	4
	3	4
23876-040000	2	5
	3	5
24104-062054	9	51
24311-000120	5	53
	19	18
24311-000160	15	15
24311-000320	2	23
	3	23
	5	51
	19	19
24321-000650	15	14
24321-000750	15	14 -1
24321-000800	8	22
	19	30
24341-000240	2	29
	3	29
	19	20
26014-080452	18	38
26106-060162	2	30
	3	30
26106-060302	11	46
26106-060322	16	28
26106-060402	11	39
	16	29
26106-080122	11	23
26106-080142	5	55
	8	17
26106-080162	2	24
	25	25
	34	34
	3	24
	25	25
	4	12
	11	18
	12	3
26106-080202	6	6
	10	11
	12	4
26106-080222	9	52
	11	28
26106-080252	4	13
	5	36
	8	23
26106-080302	15	3
26106-080352	4	20
	5	24

Parts No.	Fig. No.	Ref. No.
26106-080352	6	10
	10	5
26106-080402	8	25
26106-080452	4	14
	14	-1
	11	40
	18	33
26106-080502	4	26
	5	37
26106-080552	2	26
	3	26
	10	5 -1
26106-080602	11	19
26106-080802	6	7
26106-100302	8	24
26116-120202	16	31
26116-120252	16	30
	17	35
26206-100202	4	23
26206-100252	4	24
26206-100302	4	25
26226-080182	5	35
26306-080002	2	27
	3	27
	7	6
26306-100002	18	32
26366-060002	10	20
26776-140002	8	20
27241-120000	1	12
27241-300000	1	13
27241-400000	5	12
27310-080001	5	18
719802-01500	3	1
729005-01500	2	1
729246-53101	14	1
729402-14580	8	3
729402-23100	9	25
729601-14580	8	4
729601-92780	19	1
729602-01560	1	1
729602-51310	12	1
729602-53101	13	1
729647-51390	12	2
977770-01212	2	31
	3	31
	4	21
	5	56
	19	32
X0280210230	17	11
X0283060061	17	2

Parts No.	Fig. No.	Ref. No.
X0283270140	17	12
X2114555500	16	25
X2114955020	16	26
X2240410100	16	27
X9490561001	18	3
X9490561370	17	4
X9491200240	17	5
X9491703371	17	18
X9491730461	17	26

Parts No.	Fig. No.	Ref. No.
-----------	----------	----------