

0CW10-M08700EN

PREFACE

- 1.This Parts Catalog carries all parts incorporated in YANMAR Model 4TNV88-DAE engine manufactured since January, 2006.
- 2.Each illustration corresponds to the parts list on the following page.
- 3.When ordering parts,clearly write down the engine model and serial number,as well as the name and number of each part in your order sheet. This will help insure reliable delivery of the parts you have ordered.

Directions for the Parts Catalog.

1. The parts stipulated in this Parts Catalog are not necessarily standard equipped parts.
2. Parts may change without prior notice.
3. The following is an example of the Parts Catalog format.

OCF10-G21601		29. FUEL INJECTION PUMP(W/BOOST)									
REF.	LEV.	PARTS NO.	DESCRIPTION	(A)	(B)	(C)	(D)	(E)	(F)	I	R
1	1	729595-51390	FUEL INJECTION PUMP	1	1	1	1	1			1
1-1	1	729595-51391	FUEL INJECTION PUMP	1	1	1	1	1		N	1
		(A=E00185) (B=E00200)									
3	2	26022-060162	SCREW M 6X 16	9	9	9	9	9			
3-1	2	26022-060162	SCREW M 6X 16	4	4	4	4	4		K	
		(A=E00156) (B=E00156) (C=E00156) (D=E00156) (E=E00156)									
4	2	129470-51040	CAMSHAFT	1	1	1	1	1			
5	2	122710-51050	BEARING, ROLLER	2	2	2	2	2			
6	2	129470-51060	RETAINER	1	1	1	1	1			

Remarks
(1) BOOST COMPEMSATOR TYPE. OPTIONAL PART, TO E00155,(4JH-DT, 4JH-DTZ

① Ref. No.

The Ref. No. listed may not be in accordance with the illustration Ref. No.

(Ex.) Illustration No.

List Ref No.

1 1 (Before change) → 1-1 (After change)

For interchangeable symbols N, R and K, illustrations for new parts may be abbreviated.

② Lev. (Level)

Level indication

The numbers below indicate the level of relativity towards the main part.

1 ---- Main parts (Assembly parts)

2 ---- Sub component included in " 1 ".

3 ---- Sub component included in " 2 ".

Note) Parts that are not for sale are partially illustrated but not listed.

③ Interchangeability Mark

When a part change takes place, one of the following interchangeability symbols is indicated beside the part.

Symbol	Interchangeability	Contents note
N	Old $\begin{matrix} \leftarrow \text{Yes} \\ \text{No} \rightarrow \end{matrix}$ New	New Part is interchangeable for Old Part but Old Part is not interchangeable for New Part.
Q	Old $\begin{matrix} \leftarrow \text{No} \\ \text{Yes} \rightarrow \end{matrix}$ New	New Part is not interchangeable for Old Part but Old Part is interchangeable for New Part.
R	Old $\begin{matrix} \leftarrow \text{Yes} \\ \text{Yes} \rightarrow \end{matrix}$ New	New/ Old Parts are both interchangeable.
S	Old $\begin{matrix} \leftarrow \text{No} \\ \text{No} \rightarrow \end{matrix}$ New	New/ Old Parts are both not interchangeable.
W		Part newly added.
Z		Part discontinued.
F		Not interchangeable by a single part but interchangeable together with related parts.
K		Changes only for used parts quantities.

④ Effective Machine No.

When a part changes, the effective Machine No. will be indicated in the (A)-(F) column.

Product Symbol	Product No.	Product Symbol	Product No.
C	Clutch No. Compressor No.	F	Machine No. (Agricultural Equip.)
D	Drive No.	M	Machine No.
E	Engine No.		

Note 1) A date may follow the symbol. (Ex.) 1996.01

Note 2) "XXXXX" and "ZZZZZ" are for parts that could not be predicted or for engine models that could not be identified.

Note 3) (A=E00185) is the E (Engine Serial Number) for the column (A) model (in this case 4JH-DT) after the parts design change.

⑤ Remarks Mark

Figures or alphabets (symbols) are entered in the remarks column.

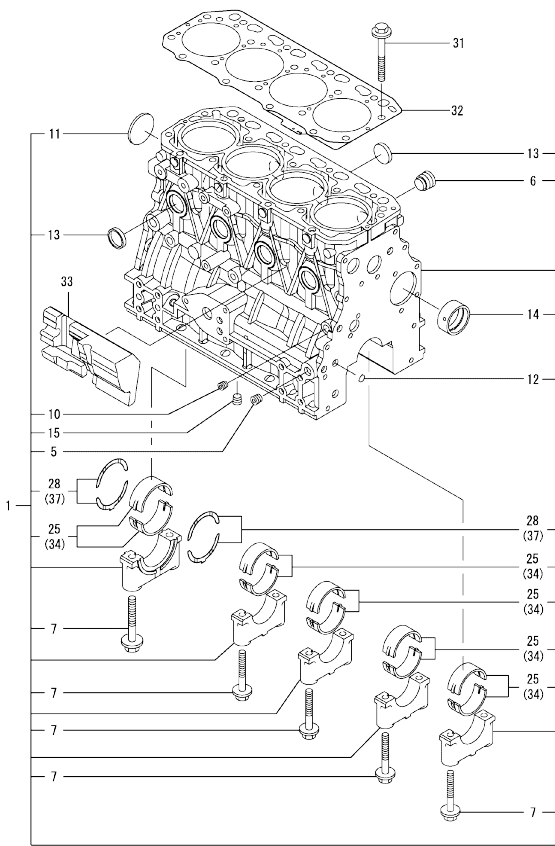
The comments (remarks) on parts that are indicated at the bottom of the illustration are the same symbols as those stated above.

Contents

Fig. No.	Fig. Name	Fig. No.	Fig. Name
ENGINE 4TNV88-DAE			
1.	CYLINDER BLOCK		
2.	GEAR HOUSING		
3.	FLYWHEEL HOUSING & OIL SUMP		
4.	CYLINDER HEAD & BONNET		
5.	SUCTION MANIFOLD		
6.	EXHAUST MANIFOLD		
7.	CAMSHAFT & DRIVING GEAR		
8.	CRANKSHAFT & PISTON		
9.	LUB.OIL SYSTEM		
10.	COOLING WATER SYSTEM		
11.	FUEL INJECTION PUMP		
12.	GOVERNOR		
13.	FUEL INJECTION VALVE		
14.	FUEL LINE		
15.	STARTING MOTOR		
16.	GENERATOR		
17.	GASKET SET		

0CW10-M08700

Fig.1. CYLINDER BLOCK



Remarks

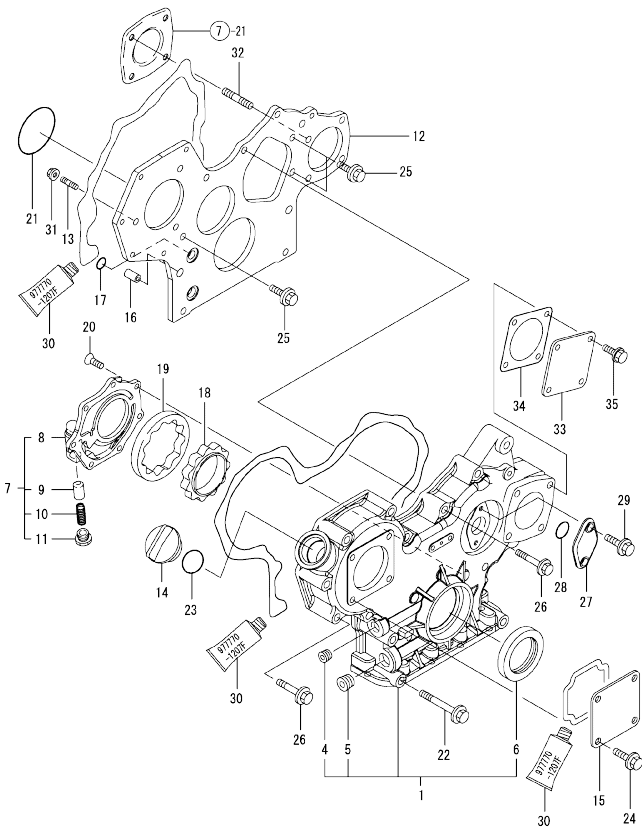
- (1) UNDER-SIZE(U.S=0.25)PART.
- (2) OVER-SIZE(O.S=0.25)PART.
- (3) REPAIR PART.

No.	Lev.	Parts No.	Description	Q'ty						I	R
				(A)	(B)	(C)	(D)	(E)	(F)		
1	1	729602-01560	BLOCK ASSY, CYLINDER	1							
5	2	124160-01910	PLUG, PT1/4	2							
6	2	171051-01921	PLUG, NPTF1	1							
7	2	129150-02020	BOLT, METAL CAP	10							
10	2	124060-01050	PLUG, PT1/8	1							
11	2	129001-01250	PLUG, 50	1							
12	2	27241-120000	PLUG, 12	2							
13	2	27241-300000	PLUG 30	8							
14	2	129795-02411	BUSH, CAMSHAFT	1							
15	2	124160-01910	PLUG, PT1/4	1							
25	2	129001-02930	BEARING, MAIN	5							3
28	2	129150-02930	BEARING, THRUST	2							
31	1	129150-01200	BOLT, HEAD	18							
32	1	129407-01340	GASKET, HEAD	1							
33	1	129004-01190	SPACER	1							
34	1	129150-02870	BEARING, 0.25 US	5							1
37	1	129150-02940	BEARING, THRUST 0.25	1							2

N:Old $\frac{100}{100}$ New, Q:Old $\frac{100}{100}$ New, R:Old $\frac{100}{100}$ New, S:Old $\frac{100}{100}$ New, W:Add, Z:Discontinued, F:Interchangeable by set, K:Qty Change
 Copyright (C) YANMAR CO., LTD. All Rights Reserved.

OCW10-M08700

Fig.2. GEAR HOUSING



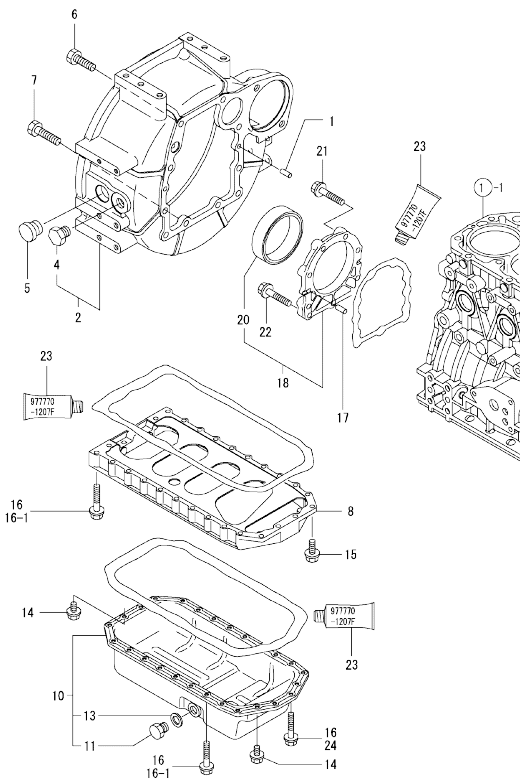
No.	Lev.	Parts No.	Description	Q'ty						I	R
				(A)	(B)	(C)	(D)	(E)	(F)		
1	1	729004-01500	CASE ASSY, GEAR	1							
4	2	23876-030000	PLUG, R03	1							
5	2	23876-040000	PLUG, R04	1							
6	2	129795-01800	SEAL, OIL	1							
7	1	119802-32100	COVER ASSY	1							
8	2	119802-32070	COVER	1							
9	2	129900-32130	VALVE, RELIEF	1							
10	2	129418-32320	SPRING	1							
11	2	129001-32330	PLUG	1							
12	1	129004-01520	FLANGE, GEAR CASE	1							
13	1	119802-01561	STUD, M8X25	3							
14	1	124160-01751	COVER, FILLER	1							
15	1	124240-01871	COVER	1							
16	1	129795-01950	PIPE, KNOCK L=18	2							
17	1	119609-32040	O-RING, P16	4							
18	1	119802-32111	ROTOR, INNER	1							
19	1	119802-32120	ROTOR, OUTER	1							
20	1	119802-32130	SCREW, M6X16	7							
21	1	121850-51960	O-RING	1							
22	1	129001-91841	BOLT, M8X85	3							
23	1	24311-000320	O-RING, 1AP32.0	1							
24	1	26106-080162	BOLT, M8X 16 PLATED	4							
25	1	26106-080162	BOLT, M8X 16 PLATED	3							
26	1	26106-080552	BOLT, M8X 55 PLATED	11							
27	1	121023-01551	COVER	1							
28	1	24341-000240	O-RING, 1AS24.0	1							
29	1	26106-060162	BOLT, M6X 16 PLATED	2							
30	1	977770-1207F	GASKET, LIQUID	1							1
31	1	26306-080002	NUT, M8	3							
32	1	129150-01580	STUD, M8X30	1							
33	1	124240-01871	COVER	1							
34	1	124240-01883	GASKET	1							
35	1	26106-080162	BOLT, M8X 16 PLATED	4							

Remarks
(1) OPTIONAL PART.

N:Old $\frac{100}{100}$ New, Q:Old $\frac{100}{100}$ New, R:Old $\frac{100}{100}$ New, S:Old $\frac{100}{100}$ New, W:Add, Z:Discontinued, F:Interchangeable by set, K:Qty Change
Copyright (C) YANMAR CO., LTD. All Rights Reserved.

OCW10-M08700

Fig.3. FLYWHEEL HOUSING & OIL SUMP



(A)=4TNV88-DAE
(B)=
(C)=

(D)=
(E)=
(F)=

No.	Lev.	Parts No.	Description	Q'ty						I	R
				(A)	(B)	(C)	(D)	(E)	(F)		
1	1	129100-01580	PIN, M8X16	2							
2	1	119888-01601	HOUSING, FLYWHEEL	1							
4	2	129486-35210	PLUG, 3/4-16UNF	1							
5	1	119620-01750	CAP	1							
6	1	26206-100252	BOLT, M10X 25 PLATED	6							
7	1	26206-100302	BOLT, M10X 30 PLATED	4							
8	1	129400-01730	SPACER, OIL SUMP	1							
10	1	129400-01770	SUMP ASSY, OIL	1							
10-1	1	129688-01780	OIL PAN ASSY, DEEP	1							N 2
(A=REF. TO R)											
11	2	119640-01640	PLUG, DRAIN M22	1							
13	2	22190-220002	WASHER, SEAL 22	1							
14	1	26106-080162	BOLT, M8X 16 PLATED	4							
15	1	26106-080252	BOLT, M8X 25 PLATED	2							
16	1	26106-080452	BOLT, M8X 45 PLATED	24							
16-1	1	26106-080452	BOLT, M8X 45 PLATED	20							K
(A=FROM 1ST)											
17	1	129100-01580	PIN, M8X16	2							
18	1	129100-01640	CASE ASSY, OIL SEAL	1							
20	2	129795-01780	SEAL, OIL	1							
21	1	129486-01670	BOLT, M8X30	6							
22	1	26106-080352	BOLT, M8X 35 PLATED	3							
23	1	977770-1207F	GASKET, LIQUID	1							1
24	1	26106-080502	BOLT, M8X 50 PLATED	4							W
(A=FROM 1ST)											

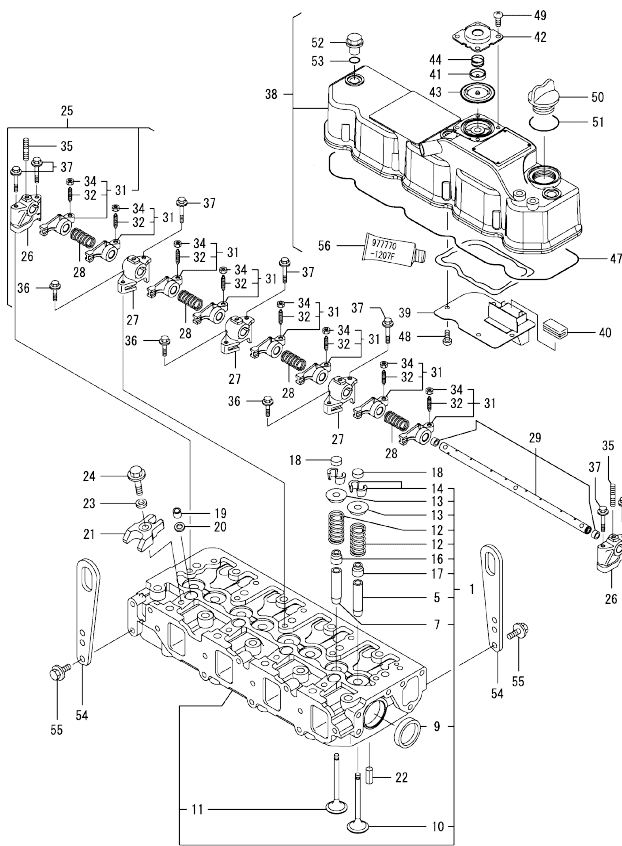
Remarks

- (1)Optional parts.
- (2)For repair.

N:Old $\frac{100}{100}$ New, Q:Old $\frac{100}{100}$ New, R:Old $\frac{100}{100}$ New, S:Old $\frac{100}{100}$ New, W:Add, Z:Discontinued, F:Interchangeable by set, K:Q'ty Change
Copyright (C) YANMAR CO., LTD. All Rights Reserved.

OCW10-M08700

Fig.4. CYLINDER HEAD & BONNET



(A)=4TNV88-DAE
(B)=
(C)=

(D)=
(E)=
(F)=

No.	Lev.	Parts No.	Description	Q'ty						I	R
				(A)	(B)	(C)	(D)	(E)	(F)		
1	1	129602-11700	HEAD ASSY, CYLINDER	1							
5	2	120130-11860	GUIDE, VALVE	4							1
7	2	129150-11810	GUIDE, VALVE	4							1
9	2	27241-400000	PLUG, 40	2							
10	2	129005-11100	VALVE, INTAKE	4							
11	2	129100-11112	VALVE, EXHAUST	4							
12	2	129795-11120	SPRING, VALVE	8							
13	2	129795-11180	RETAINER, SPRING	8							
14	2	27310-080001	COTTER, 8	8							
16	2	121400-11340	SEAL, VALVE STEM	4							
17	2	124460-11340	SEAL, VALVE STEM	4							
18	1	129150-11370	CAP, VALVE	8							
19	1	119802-11870	PROTECTOR, NOZZLE	4							
20	1	119625-11880	SEAT, NOZZLE	4							
21	1	129004-11900	RETAINER, NOZZLE	4							
22	1	22351-060012	PIN, SPRING 6.0X12	2							
23	1	120270-54410	WASHER, INJECTOR	4							
24	1	26106-080352	BOLT, M8X 35 PLATED	4							
25	1	129601-11241	SHAFT ASSY, ROCKER	1							
26	2	119802-11260	SUPPORT, ROCKER ARM	2							
27	2	119802-11270	SUPPORT, ROCKER ARM	3							
28	2	129150-11280	SPRING	4							
29	2	129601-11251	SHAFT, ROCKER ARM	1							
31	2	129004-11650	ARM, ROCKER	8							
32	3	129150-11230	SCREW, VALVE ADJUST	8							
34	3	129150-11750	NUT, M8	8							
35	2	26226-080182	STUD, M8X 18	3							
36	1	26106-080252	BOLT, M8X 25 PLATED	3							
37	1	26106-080502	BOLT, M8X 50 PLATED	7							
38	1	129601-11350	BONNET ASSY, HEAD	1							
39	2	129004-03010	PLATE	1							
40	2	129150-03070	BAFFLE, BREATHER	1							
41	2	119802-03110	PLATE	1							
42	2	119802-03121	COVER, DIAPHRAGM	1							
43	2	119802-03130	DIAPHRAGM	1							
44	2	119802-03141	SPRING, DIAPHRAGM	1							
47	2	129601-11310	GASKET, BONNET	1							
48	2	22857-500100	SCREW, 5X10	4							
49	2	22857-500100	SCREW, 5X10	4							
50	1	124160-01751	COVER, FILLER	1							
51	1	24311-000320	O-RING, 1AP32.0	1							
52	1	124160-11360	KNOB	3							
53	1	24311-000120	O-RING, 1AP12.0	3							
54	1	129900-07900	LIFTER	2							
55	1	26106-080162	BOLT, M8X 16 PLATED	4							
56	1	977770-1207F	GASKET, LIQUID	1							2

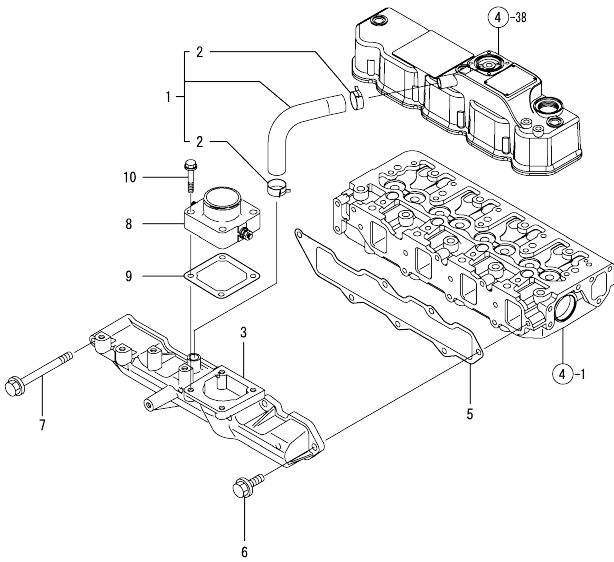
Remarks

- (1) REPAIR PART.
- (2) OPTIONAL PART.

N:Old $\frac{100}{100}$ New, Q:Old $\frac{100}{100}$ New, R:Old $\frac{100}{100}$ New, S:Old $\frac{100}{100}$ New, W:Add, Z:Discontinued, F:Interchangeable by set, K:Q'ty Change
Copyright (C) YANMAR CO., LTD. All Rights Reserved.

OCW10-M08700

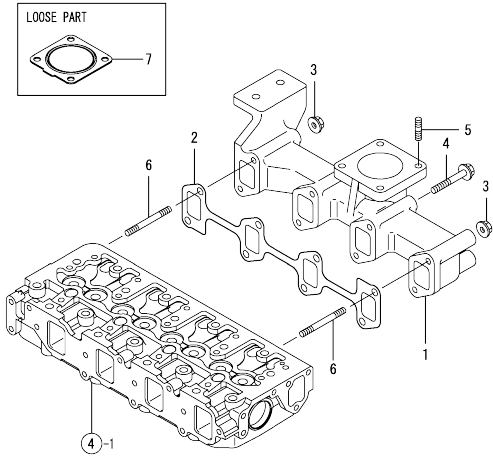
Fig.5. SUCTION MANIFOLD



No.	Lev.	Parts No.	Description	Q'ty					
				(A)	(B)	(C)	(D)	(E)	(F)
1	1	129005-03080	PIPE , BREATHER	1					
2	2	129410-03990	CLAMP 22	2					
3	1	129602-12100	MANIFOLD, AIR INTAKE	1					
5	1	129407-12110	GASKET, MANIFOLD	1					
6	1	26106-080202	BOLT, M8X 20 PLATED	6					
7	1	26106-080802	BOLT, M8X 80 PLATED	1					
8	1	129120-77501	HEATER	1					
9	1	129150-77511	GASKET	1					
10	1	26106-080352	BOLT, M8X 35 PLATED	4					

OCW10-M08700

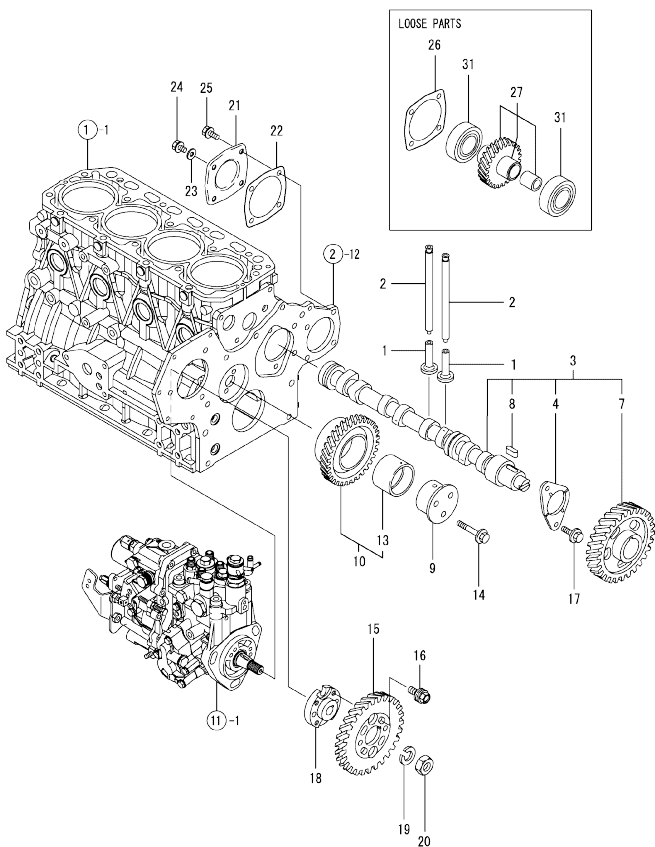
Fig.6. EXHAUST MANIFOLD



No.	Lev.	Parts No.	Description	Q'ty					
				(A)	(B)	(C)	(D)	(E)	(F)
1	1	129601-13109	MANIFOLD, EXHAUST	1					
2	1	129550-13110	GASKET	1					
3	1	26306-080002	NUT, M8	2					
4	1	123900-13630	BOLT, M8X80	6					
5	1	119131-18320	STUD, M8X22	4					
6	1	123900-13610	STUD, M8X80	2					
7	1	129930-13201	GASKET, SILENCER	1					

OCW10-M08700

Fig.7. CAMSHAFT & DRIVING GEAR



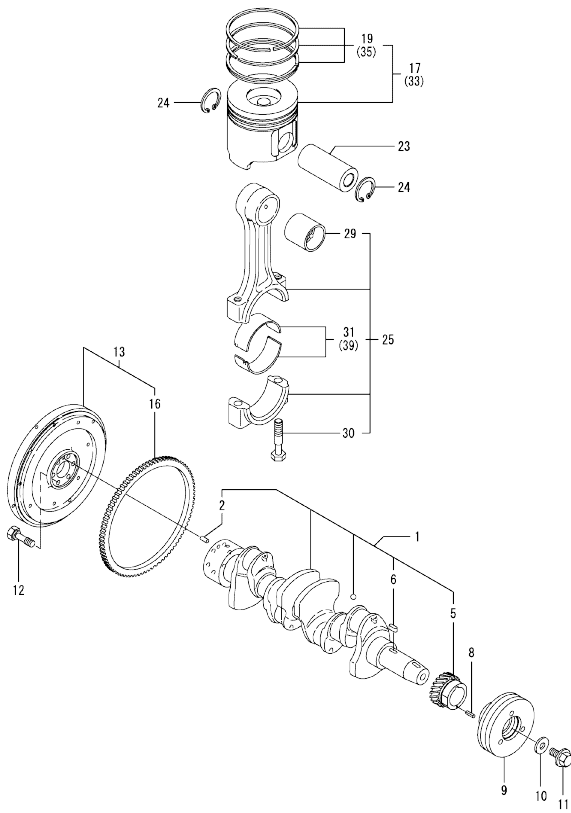
No.	Lev.	Parts No.	Description	Q'ty						I	R
				(A)	(B)	(C)	(D)	(E)	(F)		
1	1	129150-14200	TAPPET	8							
2	1	129150-14400	ROD, PUSH L=178	8							
3	1	729402-14580	CAMSHAFT ASSY	1							
4	2	129150-02450	BEARING, THRUST	1							
7	2	129150-14101	GEAR, CAMSHAFT	1							
8	2	22512-070140	KEY, 7X 14	1							
9	1	119802-25051	SHAFT, IDLE	1							
10	1	119802-25100	GEAR ASSY, IDLE	1							
13	2	119802-25070	BUSH, IDLE GEAR	1							1
14	1	26106-080402	BOLT, M8X 40 PLATED	3							
15	1	119802-25901	GEAR, PUMP	1							
16	1	129150-25301	BOLT	4							
17	1	26106-080142	BOLT, M8X 14 PLATED	2							
18	1	158552-51151	FLANGE	1							
19	1	22217-140000	WASHER, SPRING 14	1							
20	1	26776-140002	NUT, LOCK M14	1							
21	1	129150-01870	COVER	1							
22	1	129150-01881	GASKET	1							
23	1	22190-080002	WASHER, SEAL 6	1							
24	1	26106-080122	BOLT, M8X 12 PLATED	1							
25	1	26106-080202	BOLT, M8X 20 PLATED	3							
26	1	129150-01881	GASKET	1							
27	1	129051-26210	GEAR ASSY, PUMP	1							
31	1	24105-060064	BEARING, BALL 6006Z	2							

Remarks
(1) REPAIR PART.

N:Old $\frac{New}{Old}$ New, Q:Old $\frac{New}{Old}$ New, R:Old $\frac{New}{Old}$ New, S:Old $\frac{New}{Old}$ New, W:Add, Z:Discontinued, F:Interchangeable by set, K:Qty Change
Copyright (C) YANMAR CO., LTD. All Rights Reserved.

OCW10-M08700

Fig.8. CRANKSHAFT & PISTON



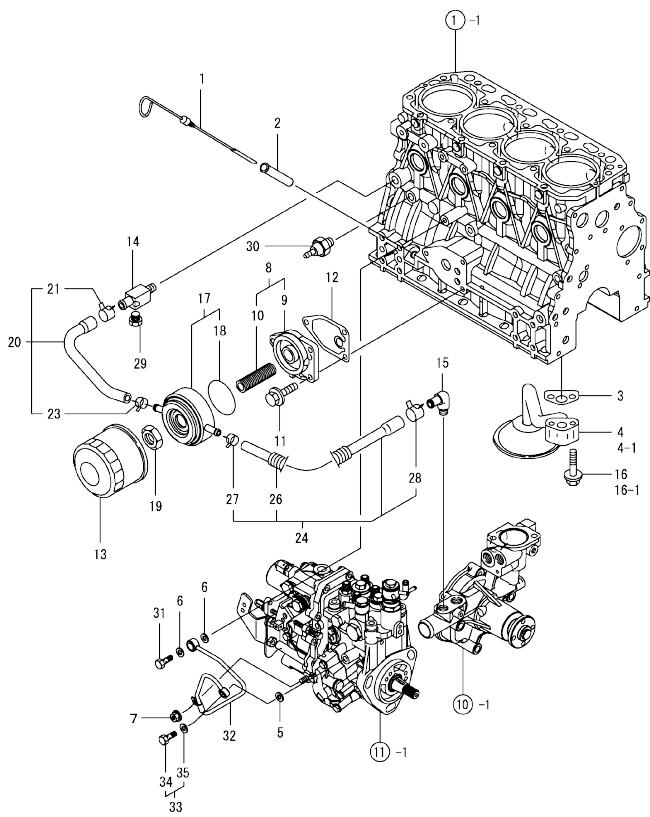
Remarks
 (1) REPAIR PART.
 (2) OVER-SIZE(O.S=0.25)PART.
 (3) UNDER-SIZE(U.S=0.25)PART.

No.	Lev.	Parts No.	Description	Q'ty						I	R
				(A)	(B)	(C)	(D)	(E)	(F)		
1	1	129601-21002	CRANKSHAFT ASSY	1							
2	2	129100-01580	PIN, M8X16	1							
5	2	119802-21202	GEAR, CRANKSHAFT	1							
6	2	22512-070140	KEY, 7X 14	1							
8	1	22351-030010	PIN, SPRING 3.0X10	1							
9	1	119802-21650	V-PULLEY, 110	1							
10	1	129795-21661	WASHER	1							
11	1	121850-21680	BOLT	1							
12	1	121111-21501	BOLT, FLYWHEEL	6							
13	1	129645-21580	FLYWHEEL ASSY	1							
16	2	119865-21600	GEAR, RING	1							
17	1	129005-22080	PISTON ASSY	4							
19	2	129005-22500	RING SET, PISTON	4							
23	1	129202-22300	PIN, PISTON D26 L70	4							
24	1	22252-000260	RING, 26	8							
25	1	729402-23100	ROD ASSY, CONNECTING	4							
29	2	129100-23910	BEARING, PISTON PIN	4							1
30	2	121550-23200	BOLT, CONNECTING ROD	8							
31	2	129150-23600	BEARING, CRANK PIN	4							
33	1	129005-22900	PISTON ASSY, 0.25 OS	4							2
35	2	129005-22950	RING SET, 0.25 OS	4							2
39	1	129150-23610	BEARING, 0.25 US	4							3

N:Old $\frac{YES}{NO}$ New, Q:Old $\frac{HE}{VE}$ New, R:Old $\frac{YES}{NO}$ New, S:Old $\frac{NO}{YES}$ New, W:Add, Z:Discontinued, F:Interchangeable by set, K:Qty Change
 Copyright (C) YANMAR CO., LTD. All Rights Reserved.

OCW10-M08700

Fig.9. LUB.OIL SYSTEM

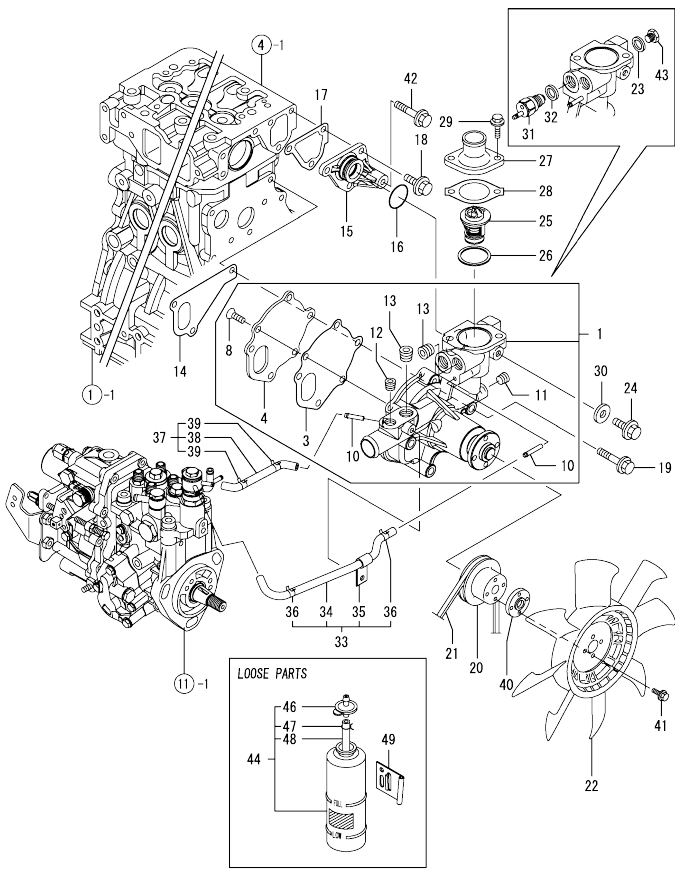


No.	Lev.	Parts No.	Description	Q'ty						I	R
				(A)	(B)	(C)	(D)	(E)	(F)		
1	1	129004-34802	DIPSTICK, OIL	1							
2	1	121520-34810	GUIDE, DIPSTICK	1							
3	1	129150-35042	GASKET	1							
4	1	129436-35091	PIPE ASSY, OIL INLET	1							
4-1	1	129436-35070	PIPE ASSY, LUB. OIL	1							S
(A=EZZZZZ)											
5	1	22190-080002	WASHER, SEAL 6	1							
6	1	22190-100002	WASHER, SEAL 10	2							
7	1	26366-060002	NUT, M6	1							
8	1	129006-35100	BRACKET ASSY, FILTER	1							
9	2	119802-35110	BRACKET, FILTER	1							
10	2	129417-35150	STUD, L=67	1							
11	1	26106-080202	BOLT, M8X 20 PLATED	3							
12	1	129150-35111	GASKET	1							
13	1	129150-35153	FILTER 80X80L	1							1
14	1	129006-44480	JOINT	1							
15	1	129103-49301	ELBOW, PT1/4	1							
16	1	26106-080352	BOLT, M8X 35 PLATED	2							
16-1	1	26106-080552	BOLT, M8X 55 PLATED	2							S
(A=EZZZZZ)											
17	1	129508-33010	COOLER ASSY, OIL	1							
18	2	129508-33050	O-RING	1							
19	1	129417-33110	NUT	1							
20	1	129508-49030	PIPE ASSY, WATER	1							
21	2	171008-03990	CLIP, HOSE 18.5	1							
23	2	23080-015000	CLAMP, 15	1							
24	1	129508-49040	PIPE ASSY, WATER	1							
26	2	119940-59130	TUBE, CORRUGATED	1							
27	2	23080-015000	CLAMP, 15	1							
28	2	23080-018000	CLAMP, 18	1							
29	1	171056-49120	PLUG, DRAIN	1							
30	1	114250-39450	SWITCH, 0.5KG	1							
31	1	124160-39140	BOLT, PIPE JOINT M10	1							
32	1	119802-39450	PIPE ASSY, OIL	1							
33	1	129005-59630	BOLT ASSY, JOINT M8	1							
34	2	23857-030000	BOLT, JOINT 3	1							
35	2	22190-080002	WASHER, SEAL 6	1							

Remarks
(1) REPAIR PART.

N:Old $\frac{100}{100}$ New, Q:Old $\frac{100}{100}$ New, R:Old $\frac{100}{100}$ New, S:Old $\frac{100}{100}$ New, W:Add, Z:Discontinued, F:Interchangeable by set, K:Qty Change
Copyright (C) YANMAR CO., LTD. All Rights Reserved.

Fig.10. COOLING WATER SYSTEM

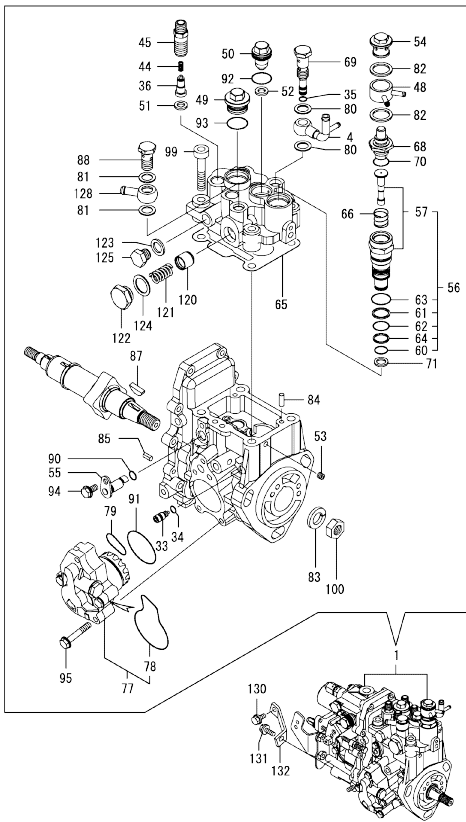


No.	Lev.	Parts No.	Description	Q'ty						I	R
				(A)	(B)	(C)	(D)	(E)	(F)		
1	1	129004-42001	PUMP ASSY, WATER	1							
3	2	129100-42051	GASKET, WATER PUMP	1							
4	2	129100-42121	PLATE	1							
8	2	121850-42410	SCREW	3							
10	2	119802-49113	JOINT, PIPE	2							
11	2	23876-010000	PLUG, R01	1							
12	2	23876-020000	PLUG, R02	1							
13	2	129916-49740	PLUG, R03	2							
14	1	129486-42021	GASKET, WATER PUMP	1							
15	1	129004-42040	JOINT	1							
16	1	129486-42140	O-RING, G30	1							
17	1	124395-49840	GASKET	1							
18	1	26106-080162	BOLT, M8X 16 PLATED	3							
19	1	26106-080602	BOLT, M8X 60 PLATED	3							
20	1	129155-42350	V-PULLEY	1							
21	1	25132-003600	V-BELT, A36	1							
22	1	129436-44740	FAN, COOLING D410	1							
23	1	124465-44950	GASKET, 16	1							
24	1	26106-080122	BOLT, M8X 12 PLATED	1							
25	1	129155-49801	THERMOSTAT, 71	1							
26	1	129150-49811	GASKET, THERMOSTAT	1							
27	1	129350-49530	COVER, THERMOSTAT	1							
28	1	129795-49551	GASKET	1							
29	1	26106-080222	BOLT, M8X 22 PLATED	2							
30	1	23414-080000	GASKET, 8X1.0	1							
31	1	121250-44901	SWITCH, 110	1							
32	1	124465-44950	GASKET, 16	1							
33	1	129004-49610	PIPE ASSY, WATER	1							
34	2	129004-49711	PIPE ASSY, WATER	1							
35	2	119802-49730	RETAINER, PIPE	1							
36	2	124722-59050	CLIP, HOSE 9	2							
37	1	129004-49620	PIPE ASSY, WATER	1							
38	2	129004-49721	PIPE ASSY, WATER	1							
39	2	124722-59050	CLIP, HOSE 9	2							
40	1	124574-44761	SPACER, FAN	1							
41	1	26106-060202	BOLT, M6X 20 PLATED	4							
42	1	26106-080452	BOLT, M8X 45 PLATED	1							
43	1	121450-42450	PLUG, M16	1							
44	1	124450-44510	TANK ASSY, SUB	1							
46	2	124450-44530	CAP	1							
47	2	124450-44560	RETAINER	1							
48	2	23061-070230	PIPE, 7X 230	1							
49	1	121256-44600	BRACKET, SUB TANK	1							

N:Old $\frac{100}{100}$ New, Q:Old $\frac{100}{100}$ New, R:Old $\frac{100}{100}$ New, S:Old $\frac{100}{100}$ New, W:Add, Z:Discontinued, F:Interchangeable by set, K:Q'ty Change
 Copyright (C) YANMAR CO., LTD. All Rights Reserved.

OCW10-M08700

Fig.11. FUEL INJECTION PUMP



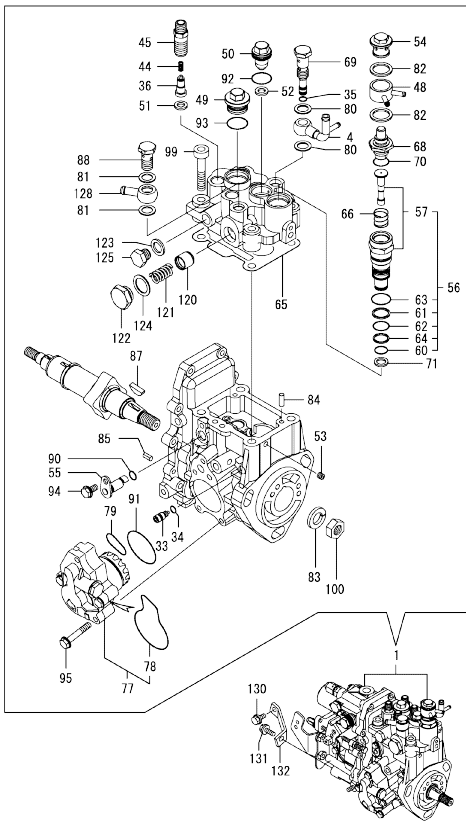
Remarks
 (1) GOVERNOR ASSY(FIG.12) IS
 INCORPORATED IN THIS FOP.CMP
 (REF.NO.1).

No.	Lev.	Parts No.	Description	Q'ty						I	R
				(A)	(B)	(C)	(D)	(E)	(F)		
1	1	729602-51340	PUMP ASSY, INJECTION	1							1
4	2	158552-51670	JOINT, OVER FLOW	1							
33	2	158600-51270	STOPPER, TAPPET	1							
34	2	158563-51281	O-RING, 4D S6	1							
35	2	158563-51281	O-RING, 4D S6	1							
36	2	158560-51300	VALVE ASSY, DELIVERY	4							
44	2	158563-51330	SPRING, DELIVERY	4							
45	2	158601-51340	HOLDER, DELIVERY	4							
48	2	158553-51551	JOINT	1							
49	2	158601-51550	PLUG	1							
50	2	119802-51560	PLUG, BARREL	1							
51	2	158552-51570	GASKET	4							
52	2	158552-51570	GASKET	1							
53	2	158557-51570	PLUG	1							
54	2	158601-51570	PLUG	1							
55	2	158552-51580	LIFTER	1							
56	2	119802-51590	TIMER SET	1							
57	3	119802-51600	TIMER ASSY	1							
60	3	158553-51670	O-RING, 1011	1							
61	3	119802-51680	RING, BACK UP	1							
62	3	119802-51690	O-RING	1							
63	3	24356-010200	O-RING, 4D1020	1							
64	3	24372-000150	RING, BACK UP T2P15	1							
65	2	158552-51600	GASKET	1							
66	2	158553-51630	SPRING, TIMER	1							
68	2	158553-51640	ELEMENT	1							
69	2	158601-51650	JOINT, OVER FLOW	1							
70	2	158553-51660	O-RING, P14	1							
71	2	158553-51680	GASKET	1							
77	2	158552-52100	PUMP ASSY, FUEL FEED	1							
78	3	158552-52500	O-RING	1							
79	2	158552-52310	O-RING	1							
80	2	22190-120002	WASHER, SEAL 12	2							
81	2	22190-120002	WASHER, SEAL 12	2							
82	2	22190-180002	WASHER, SEAL 18	2							
83	2	22217-140000	WASHER, SPRING 14	1							
84	2	22312-050140	PIN, PARALLEL M5X14	2							
85	2	22351-050010	PIN, SPRING 5.0X10	2							
87	2	119802-51090	KEY, 4X16	1							
88	2	23857-060000	BOLT, JOINT 6	1							
90	2	24311-000070	O-RING, 1AP7.0	1							
91	2	158552-52400	O-RING, 4E S42	1							
92	2	24356-010180	O-RING, 4D1018	1							
93	2	24356-010200	O-RING, 4D1020	1							
94	2	26106-060102	BOLT, M6X 10 PLATED	1							
95	2	158553-51770	BOLT	4							
99	2	26450-080452	BOLT, M8X 45	4							
100	2	26776-140002	NUT, LOCK M14	1							
120	2	158601-51770	PISTON	1							
121	2	158552-51780	SPRING	1							
122	2	158601-51790	PLUG	1							

N:Old $\frac{REV}{100}$ New, Q:Old $\frac{REV}{100}$ New, R:Old $\frac{REV}{100}$ New, S:Old $\frac{REV}{100}$ New, W:Add, Z:Discontinued, F:Interchangeable by set, K:Q'ty Change
 ++ CONTINUE ++
 Copyright (C) YANMAR CO., LTD. All Rights Reserved.

OCW10-M08700

Fig.11. FUEL INJECTION PUMP



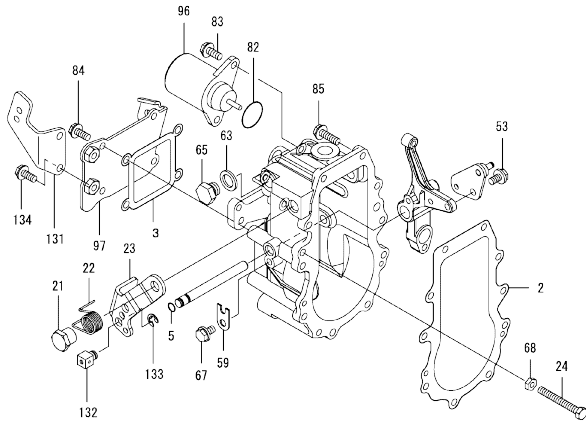
No.	Lev.	Parts No.	Description	Q'ty						I	R
				(A)	(B)	(C)	(D)	(E)	(F)		
123	2	22190-120002	WASHER, SEAL 12	1							
124	2	22190-180002	WASHER, SEAL 18	1							
125	2	23887-120002	PLUG, 12	1							
128	2	129916-59020	JOINT, PIPE 12	1							
130	1	26106-080162	BOLT, M8X 16 PLATED	1							
131	1	26106-080202	BOLT, M8X 20 PLATED	1							
132	1	129601-51250	RETAINER, PUMP	1							

Remarks
 (1) GOVERNOR ASSY(FIG.12) IS
 INCORPORATED IN THIS FOP.CMP
 (REF.NO.1).

N:Old $\frac{100}{100}$ New, Q:Old $\frac{100}{100}$ New, R:Old $\frac{100}{100}$ New, S:Old $\frac{100}{100}$ New, W:Add, Z:Discontinued, F:Interchangeable by set, K:Qty Change
 Copyright (C) YANMAR CO., LTD. All Rights Reserved.

OCW10-M08700

Fig.12. GOVERNOR

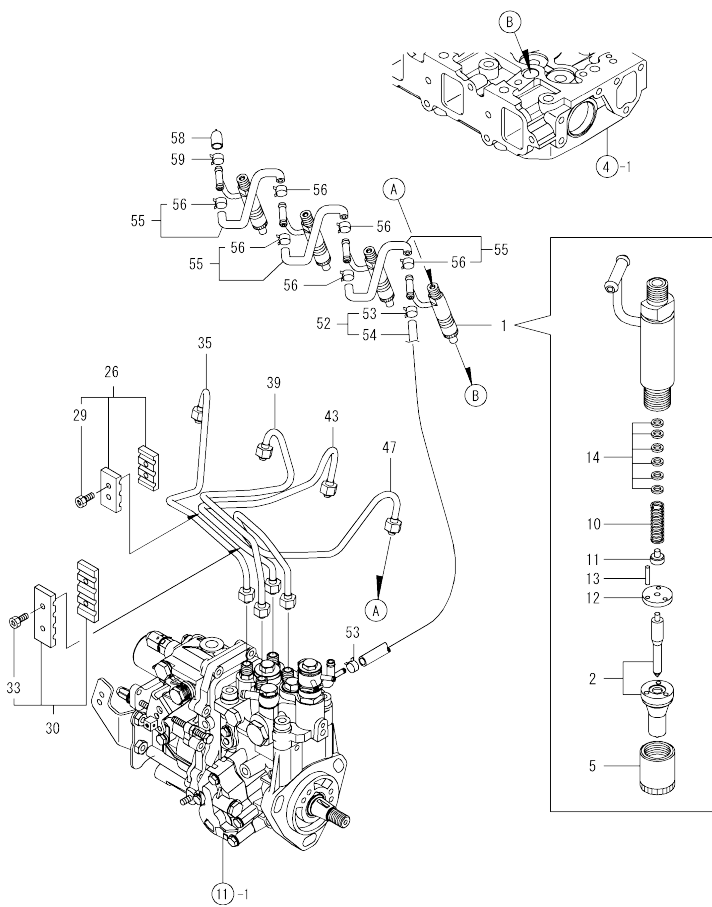


No.	Lev.	Parts No.	Description	Q'ty						I	R
				(A)	(B)	(C)	(D)	(E)	(F)		
2	2	158553-61050	GASKET	1							
3	2	158553-61070	GASKET	1							
5	2	129155-51280	O-RING, S6	1							
21	2	129255-61410	NUT, LOCK	1							
22	2	119807-61420	SPRING, RETURN	1							
23	2	158552-61441	LEVER, REGULATOR	1							
24	2	129155-61460	BOLT, IDLE	1							
53	2	26106-060102	BOLT, M6X 10 PLATED	1							
59	2	119660-61901	RETAINER, SHAFT	1							
63	2	22190-120000	WASHER, SEAL 12	1							
65	2	23887-120002	PLUG, 12	1							
67	2	26106-060102	BOLT, M6X 10 PLATED	1							
68	2	26756-060002	NUT, LOCK M6	1							
82	2	24341-000280	O-RING, 1AS28.0	1							
82-1	2	158552-61900	O-RING	1							N
(A=EXXXXX)											
83	2	26106-060142	BOLT, M6X 14 PLATED	2							
84	2	26106-060142	BOLT, M6X 14 PLATED	4							
85	2	26106-060202	BOLT, M6X 20 PLATED	10							
96	2	119653-77950	SOLENOID, STOP	1							
97	2	158552-61061	COVER, GOVERNOR CASE	1							
131	2	129233-66910	SUPPORT, WIRE	1							
132	2	124756-67510	RETAINER	1							
133	2	22272-000070	RING, E- 7	1							
134	2	26106-060142	BOLT, M6X 14 PLATED	2							

Remarks
 * THIS FIGURE(GOVERNOR ASSY)IS
 INCORPORATED IN THE FUEL INJECTION
 PUMP ASSY(FIG.11).

N:Old $\frac{100}{100}$ New, Q:Old $\frac{100}{100}$ New, R:Old $\frac{100}{100}$ New, S:Old $\frac{100}{100}$ New, W:Add, Z:Discontinued, F:Interchangeable by set, K:Q'ty Change
 Copyright (C) YANMAR CO., LTD. All Rights Reserved.

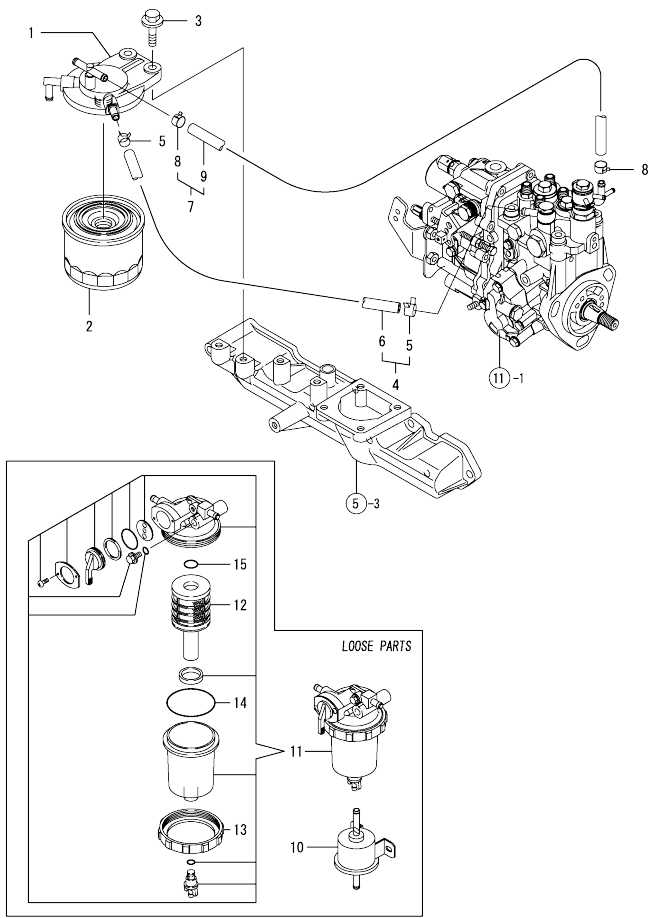
Fig.13. FUEL INJECTION VALVE



No.	Lev.	Parts No.	Description	Q'ty					
				(A)	(B)	(C)	(D)	(E)	(F)
1	1	729602-53101	VALVE ASSY,INJECTION	4					
2	2	129602-53001	VALVE ASSY,INJECTION	4					
5	2	114250-53080	NUT, NOZZLE D16.95	4					
10	2	114250-53120	SPRING, NOZZLE	4					
11	2	114250-53130	SEAT, SPRING	4					
12	2	114250-53140	PLATE	4					
13	2	114250-53210	PIN	8					
14	2	114250-53400	SHIM SET	4					
26	1	129150-59120	RETAINER, PIPE	1					
29	2	129150-59131	BOLT, M4X14	2					
30	1	129550-59120	RETAINER, PIPE	1					
33	2	129150-59131	BOLT, M4X14	2					
35	1	129601-59810	PIPE ASSY, INJECTION	1					
39	1	129601-59820	PIPE ASSY, INJECTION	1					
43	1	129601-59830	PIPE ASSY, INJECTION	1					
47	1	129601-59840	PIPE ASSY, INJECTION	1					
52	1	119802-59550	PIPE ASSY, RETURN	1					
53	2	124722-59050	CLIP, HOSE 9	2					
54	2	119802-59560	PIPE, FUEL RETURN	1					
55	1	129486-59551	PIPE ASSY, RETURN	3					
56	2	124722-59050	CLIP, HOSE 9	6					
58	1	119593-59581	CAP	1					
59	1	124060-77680	CLIP, HOSE 10	1					

OCW10-M08700

Fig.14. FUEL LINE

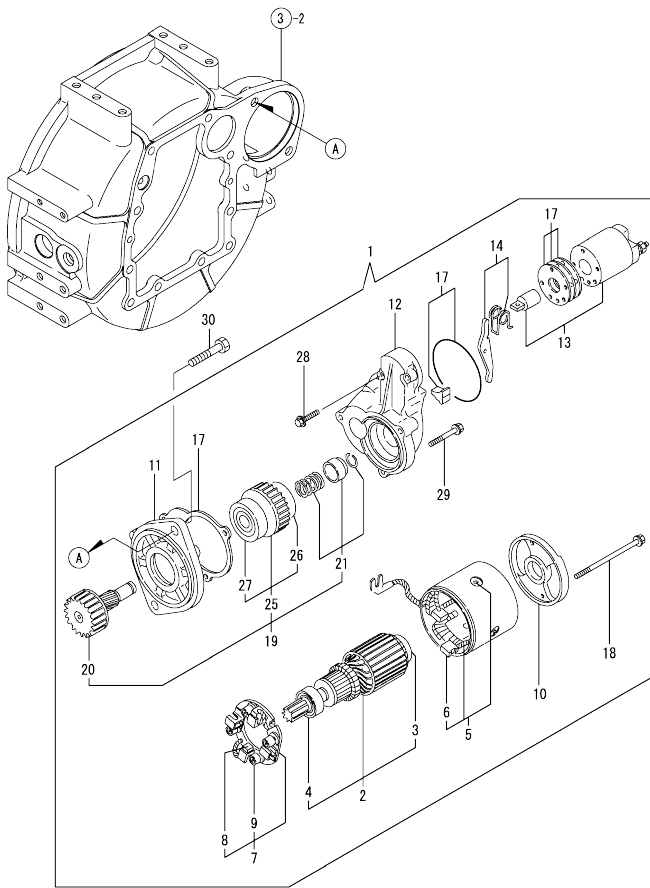


No.	Lev.	Parts No.	Description	Q'ty					
				(A)	(B)	(C)	(D)	(E)	(F)
1	1	129004-55611	BRACKET, FILTER	1					
2	1	119802-55800	FILTER, FUEL	1					
3	1	26106-080302	BOLT, M8X 30 PLATED	2					
4	1	129210-59090	PIPE ASSY, FUEL	1					
5	2	124766-59050	CLIP, HOSE 12	2					
6	2	105325-59570	PIPE, FUEL	1					
7	1	129210-59150	PIPE ASSY, FUEL	1					
8	2	124766-59050	CLIP, HOSE 12	2					
9	2	105025-59530	PIPE, FUEL D13X400	1					
10	1	119225-52102	PUMP ASSY, FUEL FEED	1					
11	1	119802-55700	SEPARATOR ASSY	1					
12	2	119802-55710	ELEMENT	1					
13	2	129100-55690	RING, RETAINING	1					
14	2	24321-000650	O-RING, 1AG65.0	1					
15	2	24311-000160	O-RING, 1AP16.0	1					

N:Old $\frac{100}{100}$ New, Q:Old $\frac{100}{100}$ New, R:Old $\frac{100}{100}$ New, S:Old $\frac{100}{100}$ New, W:Add, Z:Discontinued, F:Interchangeable by set, K:Q'ty Change
 Copyright (C) YANMAR CO., LTD. All Rights Reserved.

OCW10-M08700

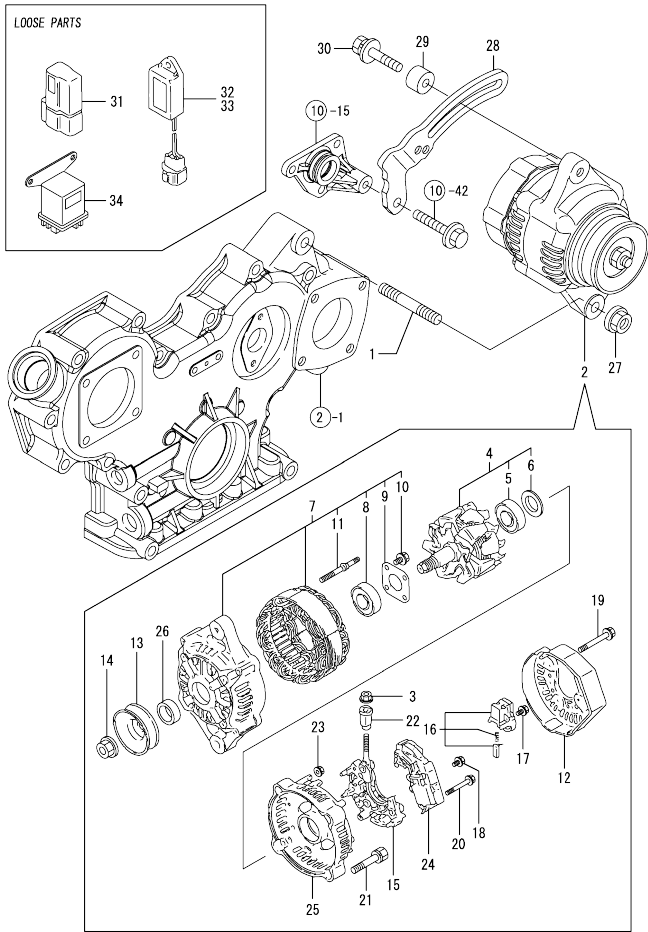
Fig.15. STARTING MOTOR



No.	Lev.	Parts No.	Description	Q'ty					
				(A)	(B)	(C)	(D)	(E)	(F)
1	1	129400-77012	STARTING MOTOR	1					
2	2	129486-77400	ARMATUER	1					
3	3	171008-77410	BEARING(1)	1					
4	3	171008-77420	BEARING(2)	1					
5	2	129400-77441	COIL ASSY, FIELD	1					
6	3	129486-77460	BRUSH	2					
7	2	129486-77470	HOLDER ASSY, BRUSH	1					
8	3	129486-77460	BRUSH	2					
9	3	129486-77490	SPRING, START BRUSH	4					
10	2	129900-77460	COVER, REAR	1					
11	2	171008-77510	HOUSING ASSY, GEAR	1					
12	2	129400-77520	HOUSING, CENTER	1					
13	2	129400-77531	SWITCH ASSY,MAGNETIC	1					
14	2	171008-77540	LEVER SET, SHIFT	1					
17	2	129400-77571	DUST COVER,(NON-ASB.	1					
18	2	129900-77640	BOLT, THROUGH	2					
19	2	171008-77650	PINION ASSY	1					
20	3	171008-77660	SHAFT, PINION	1					
21	3	171008-77670	STOPPER SET, PINION	1					
25	3	X2114555500	CLUTCH ASSY	1					
26	4	X2114955020	BALL BEARING	1					
27	4	X2240410100	BEARING, BALL	1					
28	2	26106-060322	BOLT, M6X 32 PLATED	2					
29	2	26106-060402	BOLT, M6X 40 PLATED	3					
30	1	26116-120252	BOLT, M12X 25 PLATED	2					

N:Old $\frac{New}{Old}$ New, Q:Old $\frac{New}{Old}$ New, R:Old $\frac{New}{Old}$ New, S:Old $\frac{New}{Old}$ New, W:Add, Z:Discontinued, F:Interchangeable by set, K:Q'ty Change
 Copyright (C) YANMAR CO., LTD. All Rights Reserved.

Fig.16. GENERATOR

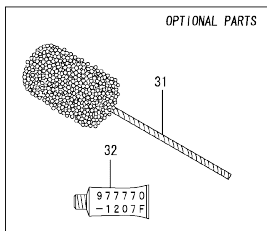
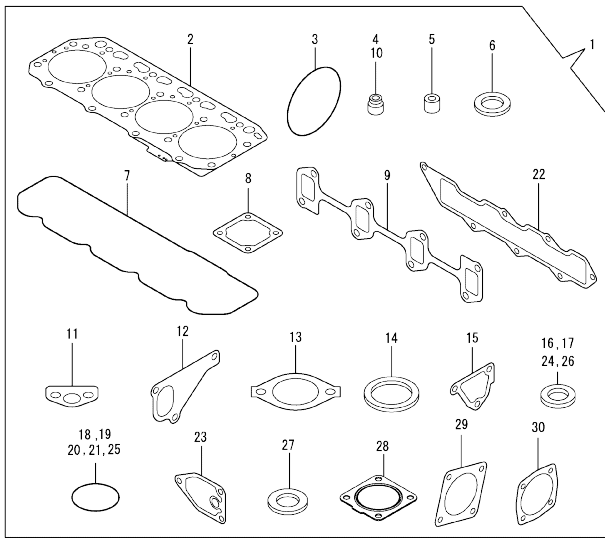


No.	Lev.	Parts No.	Description	Qty						I	R
				(A)	(B)	(C)	(D)	(E)	(F)		
1	1	129795-01900	STUD	1							
2	1	119626-77210	ALTERNATOR, 12V-55A	1							
3	2	X9490561001	NUT	1							
4	2	129052-77380	ROTOR ASSY	1							
5	3	123501-79240	BEARING, BALL	1							
6	3	119620-79250	COVER, BEARING	1							
7	2	129052-77422	FRAME ASSY	1							
8	3	119620-79200	BALL BEARING	1							
9	3	119620-79210	PLATE	1							
10	3	119620-79220	SCREW	4							
11	3	119620-79230	BOLT, STUD	2							
12	2	128401-77440	FRAME	1							
13	2	119620-77461	PULLEY	1							
14	2	119620-77471	NUT	1							
15	2	129052-79260	HOLDER	1							
16	2	129052-79270	HOLDER, BRUSH	1							
17	2	119620-79290	SCREW	6							
18	2	119620-79300	SCREW	1							
19	2	119620-79310	BOLT	3							
20	2	119620-79320	SCREW WWASHER	2							
21	2	119620-79330	BOLT	2							
22	2	119620-79340	INSULATION BUSH	1							
23	2	119620-79350	NUT	2							
24	2	129423-77710	REGULATOR ASSY	1							
25	2	119626-79410	COVER	1							
25-1	2	119626-77450	COVER, END, RR	1							N
(A=FROM 1ST)											
26	2	119620-77490	COLLAR	1							
27	1	26306-100002	NUT, M10	1							
28	1	129064-77330	ADJUSTER	1							
29	1	129067-77340	SPACER	1							
30	1	129972-77341	BOLT, ADJUSTER L=50	1							
31	1	119643-66900	DIODE	1							
32	1	128300-77920	TIMER	1							
33	1	129211-77920	TIMER	1							
34	1	119650-77910	RELAY ASSY, GLOW	3							

N:Old $\frac{100}{100}$ New, Q:Old $\frac{100}{100}$ New, R:Old $\frac{100}{100}$ New, S:Old $\frac{100}{100}$ New, W:Add, Z:Discontinued, F:Interchangeable by set, K:Qty Change
 Copyright (C) YANMAR CO., LTD. All Rights Reserved.

OCW10-M08700

Fig.17. GASKET SET



Remarks
(1) OPTIONAL PARTS.

No.	Lev.	Parts No.	Description	Q'ty						I	R
				(A)	(B)	(C)	(D)	(E)	(F)		
1	1	729150-92780	GASKET SET	1							1
2	2	129407-01340	GASKET, HEAD	1							
3	2	121850-51960	O-RING	1							
4	2	124460-11340	SEAL, VALVE STEM	4							
5	2	119802-11870	PROTECTOR, NOZZLE	4							
6	2	119625-11880	SEAT, NOZZLE	4							
7	2	129601-11310	GASKET, BONNET	1							
8	2	129150-77511	GASKET	1							
9	2	129550-13110	GASKET	1							
10	2	121400-11340	SEAL, VALVE STEM	4							
11	2	129150-35042	GASKET	1							
12	2	129486-42021	GASKET, WATER PUMP	1							
13	2	129795-49551	GASKET	1							
14	2	129150-49811	GASKET, THERMOSTAT	1							
15	2	124395-49840	GASKET	1							
16	2	22190-080002	WASHER, SEAL 6	2							
17	2	124465-44950	GASKET, 16	2							
18	2	24311-000120	O-RING, 1AP12.0	3							
19	2	24311-000320	O-RING, 1AP32.0	2							
20	2	24341-000240	O-RING, 1AS24.0	1							
21	2	129486-42140	O-RING, G30	1							
22	2	129407-12110	GASKET, MANIFOLD	1							
23	2	129150-35111	GASKET	1							
24	2	22190-220002	WASHER, SEAL 22	1							
25	2	119609-32040	O-RING, P16	4							
26	2	22190-100002	WASHER, SEAL 10	2							
27	2	23414-080000	GASKET, 8X1.0	1							
28	2	129930-13201	GASKET, SILENCER	1							
29	2	124240-01883	GASKET	1							
30	2	129150-01881	GASKET	2							
31	1	129400-92430	HONE	1							1
32	1	977770-1207F	GASKET.LIQUID	1							1

N:Old $\frac{100}{100}$ New, Q:Old $\frac{100}{100}$ New, R:Old $\frac{100}{100}$ New, S:Old $\frac{100}{100}$ New, W:Add, Z:Discontinued, F:Interchangeable by set, K:Qty Change
Copyright (C) YANMAR CO., LTD. All Rights Reserved.

Parts No. Index

Parts No.	Fig. No.	Ref. No.
105025-59530	14	9
105325-59570	14	6
114250-39450	9	30
114250-53080	13	5
114250-53120	13	10
114250-53130	13	11
114250-53140	13	12
114250-53210	13	13
114250-53400	13	14
119131-18320	6	5
119225-52102	14	10
119593-59581	13	58
119609-32040	2	17
	17	25
119620-01750	3	5
119620-77461	16	13
119620-77471	16	14
119620-77490	16	26
119620-79200	16	8
119620-79210	16	9
119620-79220	16	10
119620-79230	16	11
119620-79250	16	6
119620-79290	16	17
119620-79300	16	18
119620-79310	16	19
119620-79320	16	20
119620-79330	16	21
119620-79340	16	22
119620-79350	16	23
119625-11880	4	20
	17	6
119626-77210	16	2
119626-77450	16	25
119626-79410	16	25
119640-01640	3	11
119643-66900	16	31
119650-77910	16	34
119653-77950	12	96
119660-61901	12	59
119802-01561	2	13
119802-03110	4	41
119802-03121	4	42
119802-03130	4	43
119802-03141	4	44
119802-11260	4	26
119802-11270	4	27
119802-11870	4	19
	17	5
119802-21202	8	5

Parts No.	Fig. No.	Ref. No.
119802-21650	8	9
119802-25051	7	9
119802-25070	7	13
119802-25100	7	10
119802-25901	7	15
119802-32070	2	8
119802-32100	2	7
119802-32111	2	18
119802-32120	2	19
119802-32130	2	20
119802-35110	9	9
119802-39450	9	32
119802-49113	10	10
119802-49730	10	35
119802-51090	11	87
119802-51560	11	50
119802-51590	11	56
119802-51600	11	57
119802-51680	11	61
119802-51690	11	62
119802-55700	14	11
119802-55710	14	12
119802-55800	14	2
119802-59550	13	52
119802-59560	13	54
119807-61420	12	22
119865-21600	8	16
119888-01601	3	2
119940-59130	9	26
120130-11860	4	5
120270-54410	4	23
121023-01551	2	27
121111-21501	8	12
121250-44901	10	31
121256-44600	10	49
121400-11340	4	16
	17	10
121450-42450	10	43
121520-34810	9	2
121550-23200	8	30
121850-21680	8	11
121850-42410	10	8
121850-51960	2	21
	17	3
123501-79240	16	5
123900-13610	6	6
123900-13630	6	4
124060-01050	1	10
124060-77680	13	59
124160-01751	2	14

Parts No.	Fig. No.	Ref. No.
124160-01751	4	50
124160-01910	1	5
		15
124160-11360	4	52
124160-39140	9	31
124240-01871	2	15
		33
124240-01883	2	34
	17	29
124395-49840	10	17
	17	15
124450-44510	10	44
124450-44530	10	46
124450-44560	10	47
124460-11340	4	17
	17	4
124465-44950	10	23
		32
	17	17
124574-44761	10	40
124722-59050	10	36
		39
	13	53
		56
124756-67510	12	132
124766-59050	14	5
		8
128300-77920	16	32
128401-77440	16	12
129001-01250	1	11
129001-02930	1	25
129001-32330	2	11
129001-91841	2	22
129004-01190	1	33
129004-01520	2	12
129004-03010	4	39
129004-11650	4	31
129004-11900	4	21
129004-34802	9	1
129004-42001	10	1
129004-42040	10	15
129004-49610	10	33
129004-49620	10	37
129004-49711	10	34
129004-49721	10	38
129004-55611	14	1
129005-03080	5	1
129005-11100	4	10
129005-22080	8	17
129005-22500	8	19

Parts No.	Fig. No.	Ref. No.
129005-22900	8	33
129005-22950	8	35
129005-59830	9	33
129006-35100	9	8
129006-44480	9	14
129051-26210	7	27
129052-77380	16	4
129052-77422	16	7
129052-79260	16	15
129052-79270	16	16
129064-77330	16	28
129067-77340	16	29
129100-01580	3	1
		17
	8	2
129100-01640	3	18
129100-11112	4	11
129100-23910	8	29
129100-42051	10	3
129100-42121	10	4
129100-55690	14	13
129103-49301	9	15
129120-77501	5	8
129150-01200	1	31
129150-01580	2	32
129150-01870	7	21
129150-01881	7	22
		26
	17	30
129150-02020	1	7
129150-02450	7	4
129150-02870	1	34
129150-02930	1	28
129150-02940	1	37
129150-03070	4	40
129150-11230	4	32
129150-11280	4	28
129150-11370	4	18
129150-11750	4	34
129150-11810	4	7
129150-14101	7	7
129150-14200	7	1
129150-14400	7	2
129150-23600	8	31
129150-23610	8	39
129150-25301	7	16
129150-35042	9	3
	17	11
129150-35111	9	12
	17	23

Parts No. Index

Parts No.	Fig. No.	Ref. No.	Parts No.	Fig. No.	Ref. No.	Parts No.	Fig. No.	Ref. No.	Parts No.	Fig. No.	Ref. No.
129150-35153	9	13	129486-77490	15	9	158552-51780	11	121	22190-180002	11	124
129150-49811	10	26	129508-33010	9	17	158552-52100	11	77	22190-220002	3	13
	17	14	129508-33050	9	18	158552-52310	11	79		17	24
129150-59120	13	26	129508-49030	9	20	158552-52400	11	91	22217-140000	7	19
129150-59131	13	29	129508-49040	9	24	158552-52500	11	78		11	83
		33	129550-13110	6	2	158552-61061	12	97	22252-000260	8	24
129150-77511	5	9		17	9	158552-61441	12	23	22272-000070	12	133
	17	8	129550-59120	13	30	158552-61900	12	82 -1	22312-050140	11	84
129155-42350	10	20	129601-11241	4	25	158553-51551	11	48	22351-030010	8	8
129155-49801	10	25	129601-11251	4	29	158553-51630	11	66	22351-050010	11	85
129155-51280	12	5	129601-11310	4	47	158553-51640	11	68	22351-060012	4	22
129155-61460	12	24		17	7	158553-51660	11	70	22512-070140	7	8
129202-22300	8	23	129601-11350	4	38	158553-51670	11	60		8	6
129210-59090	14	4	129601-13109	6	1	158553-51680	11	71	22857-500100	4	48
129210-59150	14	7	129601-21002	8	1	158553-51770	11	95			49
129211-77920	16	33	129601-51250	11	132	158553-61050	12	2	23061-070230	10	48
129233-66910	12	131	129601-59810	13	35	158553-61070	12	3	23080-015000	9	23
129255-61410	12	21	129601-59820	13	39	158557-51570	11	53			27
129350-49530	10	27	129601-59830	13	43	158560-51300	11	36	23080-018000	9	28
129400-01730	3	8	129601-59840	13	47	158563-51281	11	34	23414-080000	10	30
129400-01770	3	10	129602-11700	4	1			35		17	27
129400-77012	15	1	129602-12100	5	3	158563-51330	11	44	23857-030000	9	34
129400-77441	15	5	129602-53001	13	2	158600-51270	11	33	23857-060000	11	88
129400-77520	15	12	129645-21580	8	13	158601-51340	11	45	23876-010000	10	11
129400-77531	15	13	129688-01780	3	10 -1	158601-51550	11	49	23876-020000	10	12
129400-77571	15	17	129795-01780	3	20	158601-51570	11	54	23876-030000	2	4
129400-92430	17	31	129795-01800	2	6	158601-51650	11	69	23876-040000	2	5
129407-01340	1	32	129795-01900	16	1	158601-51770	11	120	23887-120002	11	125
	17	2	129795-01950	2	16	158601-51790	11	122		12	65
129407-12110	5	5	129795-02411	1	14	171008-03990	9	21	24105-060064	7	31
	17	22	129795-11120	4	12	171008-77410	15	3	24311-000070	11	90
129410-03990	5	2	129795-11180	4	13	171008-77420	15	4	24311-000120	4	53
129417-33110	9	19	129795-21661	8	10	171008-77510	15	11		17	18
129417-35150	9	10	129795-49551	10	28	171008-77540	15	14	24311-000160	14	15
129418-32320	2	10		17	13	171008-77650	15	19	24311-000320	2	23
129423-77710	16	24	129900-07900	4	54	171008-77660	15	20		4	51
129436-35070	9	4 -1	129900-32130	2	9	171008-77670	15	21		17	19
129436-35091	9	4	129900-77460	15	10	171051-01921	1	6	24321-000650	14	14
129436-44740	10	22	129900-77640	15	18	171056-49120	9	29	24341-000240	2	28
129486-01670	3	21	129916-49740	10	13	22190-080002	7	23		17	20
129486-35210	3	4	129916-59020	11	128		9	5	24341-000280	12	82
129486-42021	10	14	129930-13201	6	7			35	24356-010180	11	92
	17	12		17	28			16	24356-010200	11	63
129486-42140	10	16	129972-77341	16	30	22190-100002	9	6			93
	17	21	158552-51151	7	18		17	26	24372-000150	11	64
129486-59551	13	55	158552-51570	11	51	22190-120000	12	63	25132-003600	10	21
129486-77400	15	2			52	22190-120002	11	80	26106-060102	11	94
129486-77460	15	6	158552-51580	11	55			81		12	53
		8	158552-51600	11	65			123			67
129486-77470	15	7	158552-51670	11	4	22190-180002	11	82	26106-060142	12	83

Parts No. Index

Parts No.	Fig. No.	Ref. No.
26106-060142	12	84 134
26106-060162	2	29
26106-060202	10	41
	12	85
26106-060322	15	28
26106-060402	15	29
26106-080122	7	24
	10	24
26106-080142	7	17
26106-080162	2	24
		25
		35
	3	14
	4	55
	10	18
	11	130
26106-080202	5	6
	7	25
	9	11
	11	131
26106-080222	10	29
26106-080252	3	15
	4	36
26106-080302	14	3
26106-080352	3	22
	4	24
	5	10
	9	16
26106-080402	7	14
26106-080452	3	16
		16 -1
	10	42
26106-080502	3	24
	4	37
26106-080552	2	26
	9	16 -1
26106-080602	10	19
26106-080802	5	7
26116-120252	15	30
26206-100252	3	6
26206-100302	3	7
26226-080182	4	35
26306-080002	2	31
	6	3
26306-100002	16	27
26366-060002	9	7
26450-080452	11	99
26756-060002	12	68
26776-140002	7	20

Parts No.	Fig. No.	Ref. No.
26776-140002	11	100
27241-120000	1	12
27241-300000	1	13
27241-400000	4	9
27310-080001	4	14
729004-01500	2	1
729150-92780	17	1
729402-14580	7	3
729402-23100	8	25
729602-01560	1	1
729602-51340	11	1
729602-53101	13	1
977770-1207F	2	30
	3	23
	4	56
	17	32
X2114555500	15	25
X2114955020	15	26
X2240410100	15	27
X9490561001	16	3

Parts No.	Fig. No.	Ref. No.
-----------	----------	----------

Parts No.	Fig. No.	Ref. No.
-----------	----------	----------