

OCR10-M65500EN

PREFACE

- 1.This Parts Catalog carries all parts incorporated in YANMAR Model 4TNV88-DSAP engine manufactured since September, 2006.
- 2.Each illustration corresponds to the parts list on the following page.
- 3.When ordering parts,clearly write down the engine model and serial number,as well as the name and number of each part in your order sheet. This will help insure reliable delivery of the parts you have ordered.

Directions for the Parts Catalog.

1. This Parts Catalog shows both standard and optional parts.
2. Parts may change without prior notice.
3. The following is an example of the Parts Catalog format.

OCF10-G21601 29. FUEL INJECTION PUMP(W/BOOST)

REF.	LEV.	PARTS NO.	DESCRIPTION	Q'TY						I	R
				(A)	(B)	(C)	(D)	(E)	(F)		
1	1	729595-51390	FUEL INJECTION PUMP	1	1	1	1	1	1		1
1-1	1	729595-51391	FUEL INJECTION PUMP	1	1	1	1	1	1	N	1
		(A=E00185) (B=E00200)									
3	2	26022-060162	SCREW M 6X 16	9	9	9	9	9			
3-1	2	26022-060162	SCREW M 6X 16	4	4	4	4	4		K	
		(A=E00156) (B=E00156) (C=E00156) (D=E00156) (E=E00156)									
4	2	129470-51040	CAMSHAFT	1	1	1	1	1	1		
5	2	122710-51050	BEARING, ROLLER	2	2	2	2	2			
6	2	129470-51060	RETAINER	1	1	1	1	1			

Remarks

(1) BOOST COMPEMSATOR TYPE. OPTIONAL PART, TO E00155,(4JH-DT, 4JH-DTZ

① Ref. No.

The Ref. No. listed may not be in accordance with the illustration Ref. No.

(Ex.) Illustration No.

List Ref No.

1 1 (Before change) → 1-1 (After change)

For interchangeable symbols N, R and K, illustrations for new parts may be abbreviated.

② Lev. (Level)

Level indication

The numbers below indicate the level of relativity towards the main part.

1 ---- Main parts (Assembly parts)

2 ---- Sub component included in " 1 ".

3 ---- Sub component included in " 2 ".

Note) Parts that are not for sale are partially illustrated but not listed.

③ Interchangeability Symbol

When a part change takes place, one of the following interchangeability symbols is indicated beside the part.

Symbol	Interchangeability	Contents note
N	Old $\begin{matrix} \leftarrow \text{Yes} \\ \text{No} \rightarrow \end{matrix}$ New	New Part is interchangeable for Old Part but Old Part is not interchangeable for New Part.
Q	Old $\begin{matrix} \leftarrow \text{No} \\ \text{Yes} \rightarrow \end{matrix}$ New	New Part is not interchangeable for Old Part but Old Part is interchangeable for New Part.
R	Old $\begin{matrix} \leftarrow \text{Yes} \\ \text{Yes} \rightarrow \end{matrix}$ New	New/ Old Parts are both interchangeable.
S	Old $\begin{matrix} \leftarrow \text{No} \\ \text{No} \rightarrow \end{matrix}$ New	New/ Old Parts are both not interchangeable.
W		Part newly added.
Z		Part discontinued.
F		Not interchangeable by a single part but interchangeable together with related parts.
K		Changes only for used parts quantities.

④ Effective Machine No.

When a part changes, the effective Machine No. will be indicated in the (A)-(F) column.

Product Symbol	Product No.	Product Symbol	Product No.
C	Clutch No. Compressor No.	F	Machine No. (Agricultural Equip.)
D	Drive No.	M	Machine No.
E	Engine No.		

Note 1) A date may follow the symbol. (Ex.) 1996.01

Note 2) "XXXXX" and "ZZZZZ" are for parts that could not be predicted or for engine models that could not be identified.

Note 3) (A=E00185) is the E (Engine Serial Number) for the column (A) model (in this case 4JH-DT) after the parts design change.

⑤ Remarks

Figures or alphabets (symbols) are entered in the remarks column.

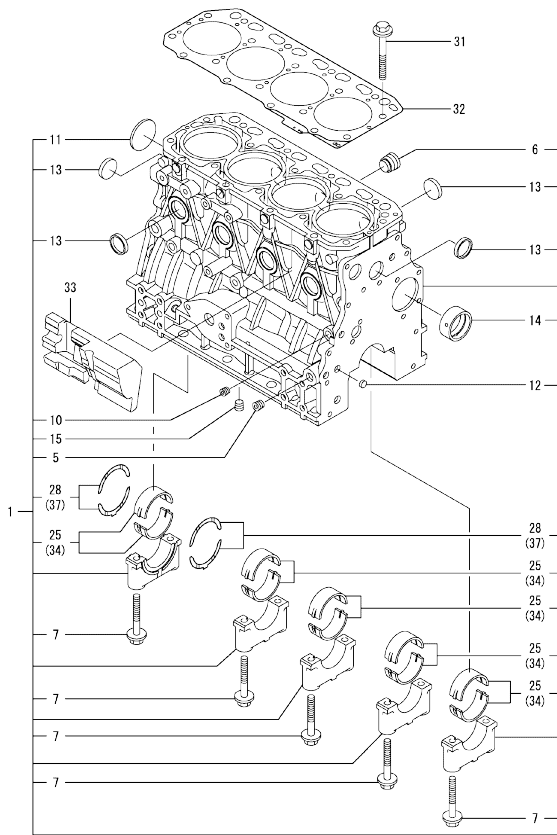
The comments (remarks) on parts that are indicated at the bottom of the illustration are the same symbols as those stated above.

Contents

OCR10-M65500

Fig. No.	Fig. Name	Fig. No.	Fig. Name
ENGINE SECTION (4TNV88-DSAP)			
1.	CYLINDER BLOCK		
2.	GEAR HOUSING		
3.	FLYWHEEL HOUSING & OIL SUMP		
4.	CYLINDER HEAD & BONNET		
5.	SUCTION MANIFOLD & AIR CLEANER		
6.	EXHAUST MANIFOLD & SILENCER		
7.	CAMSHAFT & DRIVING GEAR		
8.	CRANKSHAFT & PISTON		
9.	LUB.OIL SYSTEM		
10.	COOLING WATER SYSTEM		
11.	RADIATOR		
12.	FUEL INJECTION PUMP		
13.	GOVERNOR		
14.	FUEL INJECTION VALVE		
15.	FUEL LINE		
16.	ENGINE CONTROL DEVICE		
17.	STARTING MOTOR		
18.	GENERATOR		
19.	ELECTRIC PARTS		
20.	GASKET SET		

Fig.1. CYLINDER BLOCK



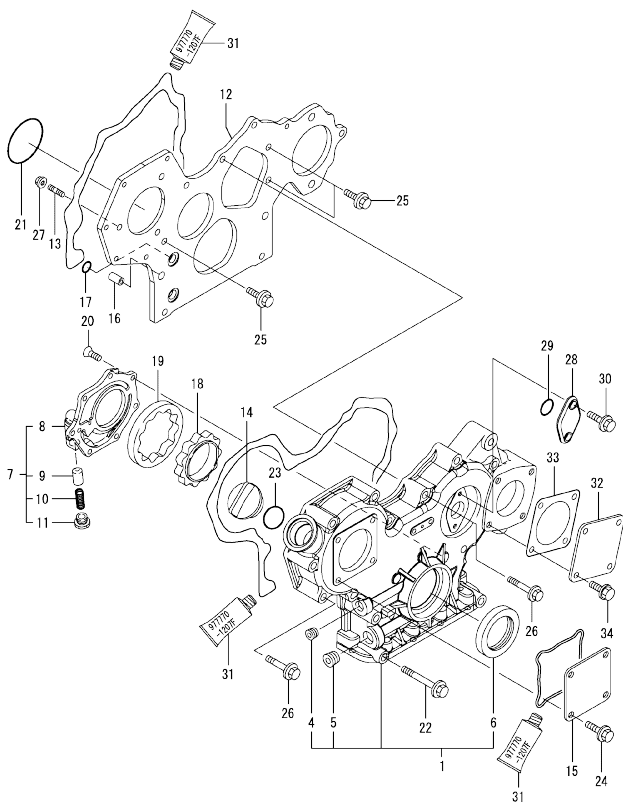
(A)=4TNV88-DSAP
(B)=
(C)=

(D)=
(E)=
(F)=

No.	Lev.	Parts No.	Description	Q'ty						I	R
				(A)	(B)	(C)	(D)	(E)	(F)		
1	1	729602-01560	BLOCK ASSY, CYLINDER	1							
5	2	124160-01910	PLUG, PT1/4	2							
6	2	171051-01921	PLUG, NPTF1	1							
7	2	129150-02020	BOLT, METAL CAP	10							
10	2	124060-01050	PLUG, PT1/8	1							
11	2	129001-01250	PLUG, 50	1							
12	2	27241-120000	PLUG, 12	2							
13	2	27241-300000	PLUG 30	8							
14	2	129795-02412	BUSH, CAMSHAFT	1							
15	2	124160-01910	PLUG, PT1/4	1							
25	2	129001-02931	BEARING, MAIN	5							3
28	2	129150-02931	BEARING, THRUST	2							
31	1	129150-01200	BOLT, HEAD	18							
32	1	129407-01340	GASKET, HEAD	1							
33	1	129004-01190	SPACER	1							
34	1	129150-02871	BEARING, 0.25 US	5							1
37	1	129150-02941	BEARING, THRUST 0.25	1							2

Remarks
(1) UNDER-SIZE(U.S=0.25)PART.
(2) OVER-SIZE(O.S=0.25)PART.
(3) REPAIR PART.

Fig.2. GEAR HOUSING



No.	Lev.	Parts No.	Description	Q'ty						I	R
				(A)	(B)	(C)	(D)	(E)	(F)		
1	1	729005-01500	CASE ASSY, GEAR	1							
4	2	23876-030000	PLUG, R03	1							
5	2	23876-040000	PLUG, R04	1							
6	2	129795-01800	SEAL, OIL	1							
7	1	119802-32100	COVER ASSY	1							
8	2	119802-32070	COVER	1							
9	2	129900-32130	VALVE, RELIEF	1							
10	2	129418-32320	SPRING	1							
11	2	129001-32330	PLUG	1							
12	1	129005-01520	FLANGE, GEAR CASE	1							
13	1	119802-01561	STUD, M8X25	3							
14	1	124160-01751	COVER, FILLER	1							
15	1	124240-01871	COVER	1							
16	1	129795-01950	PIPE, KNOCK L=18	2							
17	1	119609-32040	O-RING, P16	4							
18	1	119802-32111	ROTOR, INNER	1							
19	1	119802-32120	ROTOR, OUTER	1							
20	1	119802-32130	SCREW, M6X16	7							
21	1	121850-51960	O-RING	1							
22	1	129001-91841	BOLT, M8X85	3							
23	1	24311-000320	O-RING, 1AP32.0	1							
24	1	26106-080162	BOLT, M8X 16 PLATED	4							
25	1	26106-080162	BOLT, M8X 16 PLATED	3							
26	1	26106-080552	BOLT, M8X 55 PLATED	11							
27	1	26306-080002	NUT, M8	3							
28	1	121023-01551	COVER	1							
29	1	24341-000240	O-RING, 1AS24.0	1							
30	1	26106-060162	BOLT, M6X 16 PLATED	2							
31	1	977770-1207F	GASKET, LIQUID	1							1
32	1	124240-01871	COVER	1							
33	1	124240-01883	GASKET	1							
34	1	26106-080162	BOLT, M8X 16 PLATED	4							

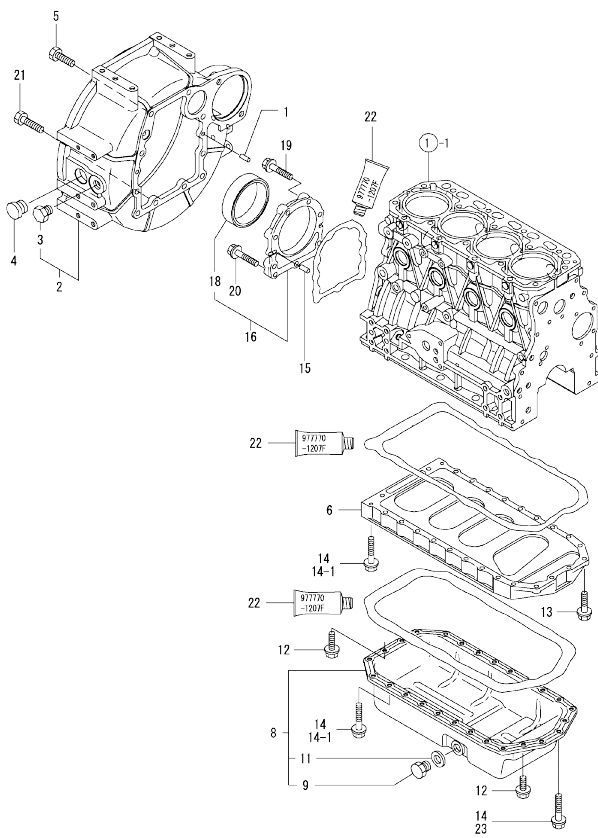
Remarks
(1) OPTIONAL PART.

N:Old $\frac{100}{100}$ New, Q:Old $\frac{100}{100}$ New, R:Old $\frac{100}{100}$ New, S:Old $\frac{100}{100}$ New, W:Add, Z:Discontinued, F:Interchangeable by set, K:Qty Change
Copyright (C) YANMAR CO., LTD. All Rights Reserved.

Fig.3. FLYWHEEL HOUSING & OIL SUMP

(A)=4TNV88-DSAP
(B)=
(C)=

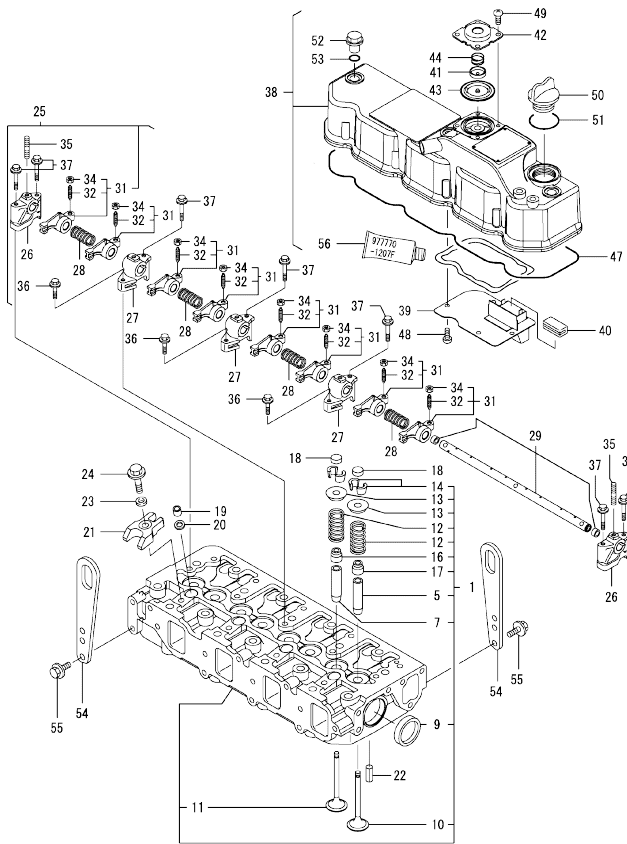
(D)=
(E)=
(F)=



No.	Lev.	Parts No.	Description	Q'ty						I	R
				(A)	(B)	(C)	(D)	(E)	(F)		
1	1	129100-01580	PIN, M8X16	2							
2	1	119888-01601	HOUSING, FLYWHEEL	1							
3	2	129486-35210	PLUG, 3/4-16UNF	1							
4	1	119620-01750	CAP	1							
5	1	26206-100252	BOLT, M10X 25 PLATED	6							
6	1	129400-01730	SPACER, OIL SUMP	1							
8	1	129400-01770	SUMP ASSY, OIL	1							
8-1	1	129688-01780	OIL PAN ASSY, DEEP	1							N
		(A=EN9026)									
9	2	119640-01640	PLUG, DRAIN M22	1							
11	2	22190-220002	WASHER, SEAL 22	1							
12	1	26106-080162	BOLT, M8X 16 PLATED	4							
13	1	26106-080252	BOLT, M8X 25 PLATED	2							
14	1	26106-080452	BOLT, M8X 45 PLATED	24							
14-1	1	26106-080452	BOLT, M8X 45 PLATED	20							K
		(A=FROM 1ST)									
15	1	129100-01580	PIN, M8X16	2							
16	1	129100-01640	CASE ASSY, OIL SEAL	1							
18	2	129795-01780	SEAL, OIL	1							
19	1	129486-01670	BOLT, M8X30	6							
20	1	26106-080352	BOLT, M8X 35 PLATED	3							
21	1	26206-100302	BOLT, M10X 30 PLATED	4							
22	1	977770-1207F	GASKET, LIQUID	1							1
23	1	26106-080502	BOLT, M8X 50 PLATED	4							W
		(A=FROM 1ST)									

Remarks
(1) OPTIONAL PART.

Fig.4. CYLINDER HEAD & BONNET



(A)=4TNV88-DSAP
(B)=
(C)=

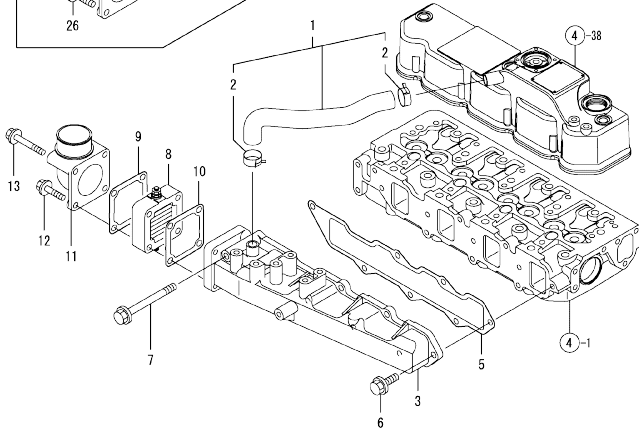
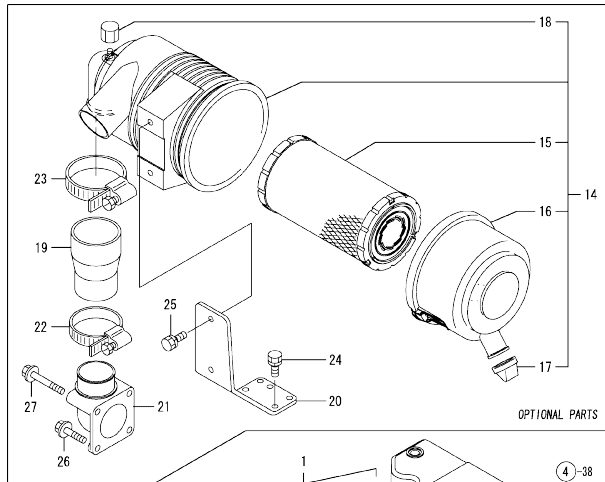
(D)=
(E)=
(F)=

No.	Lev.	Parts No.	Description	Q'ty						I	R
				(A)	(B)	(C)	(D)	(E)	(F)		
1	1	129602-11700	HEAD ASSY, CYLINDER	1							
5	2	120130-11860	GUIDE, VALVE	4							1
7	2	129150-11810	GUIDE, VALVE	4							1
9	2	27241-400000	PLUG, 40	2							
10	2	129005-11100	VALVE, INTAKE	4							
11	2	129100-11112	VALVE, EXHAUST	4							
12	2	129795-11120	SPRING, VALVE	8							
13	2	129795-11180	RETAINER, SPRING	8							
14	2	27310-080001	COTTER, 8	8							
16	2	121400-11340	SEAL, VALVE STEM	4							
17	2	124460-11340	SEAL, VALVE STEM	4							
18	1	129150-11370	CAP, VALVE	8							
19	1	119802-11870	PROTECTOR, NOZZLE	4							
20	1	119625-11880	SEAT, NOZZLE	4							
21	1	129004-11900	RETAINER, NOZZLE	4							
22	1	22351-060012	PIN, SPRING 6.0X12	2							
23	1	120270-54410	WASHER, INJECTOR	4							
24	1	26106-080352	BOLT, M8X 35 PLATED	4							
25	1	129601-11241	SHAFT ASSY, ROCKER	1							
26	2	119802-11260	SUPPORT, ROCKER ARM	2							
27	2	119802-11270	SUPPORT, ROCKER ARM	3							
28	2	129150-11280	SPRING	4							
29	2	129601-11251	SHAFT, ROCKER ARM	1							
31	2	129004-11650	ARM, ROCKER	8							
32	3	129150-11230	SCREW, VALVE ADJUST	8							
34	3	129150-11750	NUT, M8	8							
35	2	26226-080182	STUD, M8X 18	3							
36	1	26106-080252	BOLT, M8X 25 PLATED	3							
37	1	26106-080502	BOLT, M8X 50 PLATED	7							
38	1	129601-11350	BONNET ASSY, HEAD	1							
39	2	129004-03010	PLATE	1							
40	2	129150-03070	BAFFLE, BREATHER	1							
41	2	119802-03110	PLATE	1							
42	2	119802-03121	COVER, DIAPHRAGM	1							
43	2	119802-03130	DIAPHRAGM	1							
44	2	119802-03141	SPRING, DIAPHRAGM	1							
47	2	129601-11310	GASKET, BONNET	1							
48	2	22857-500100	SCREW, 5X10	4							
49	2	22857-500100	SCREW, 5X10	4							
50	1	124160-01751	COVER, FILLER	1							
51	1	24311-000320	O-RING, 1AP32.0	1							
52	1	124160-11360	KNOB	3							
53	1	24311-000120	O-RING, 1AP12.0	3							
54	1	129900-07900	LIFTER	2							
55	1	26106-080162	BOLT, M8X 16 PLATED	4							
56	1	977770-1207F	GASKET, LIQUID	1							2

Remarks

- (1) REPAIR PART.
- (2) OPTIONAL PART.

Fig.5. SUCTION MANIFOLD & AIR CLEANER



(A)=4TNV88-DSAP
(B)=
(C)=

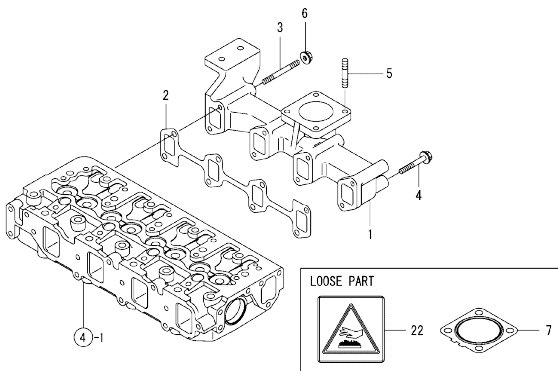
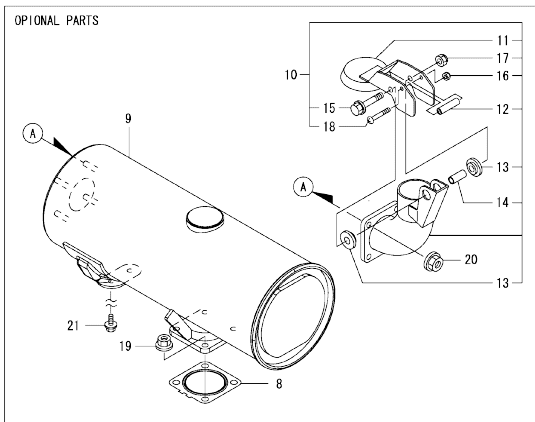
(D)=
(E)=
(F)=

No.	Lev.	Parts No.	Description	Q'ty						I	R
				(A)	(B)	(C)	(D)	(E)	(F)		
1	1	129601-03080	PIPE, BREATHER	1							
2	2	129410-03990	CLAMP 22	2							
3	1	129601-12100	MANIFOLD, AIR INTAKE	1							
5	1	129407-12110	GASKET, MANIFOLD	1							
6	1	26106-080202	BOLT, M8X 20 PLATED	6							
7	1	26106-080802	BOLT, M8X 80 PLATED	1							
8	1	129100-77501	HEATER	1							
9	1	129100-77510	GASKET, AIR HEATER	1							
10	1	129150-77511	GASKET	1							
11	1	171340-77520	BEND	1							
12	1	26106-080402	BOLT, M8X 40 PLATED	2							
13	1	26106-080802	BOLT, M8X 80 PLATED	2							
14	1	129601-12500	CLEANER ASSY, AIR	1							1
15	2	129906-12520	ELEMENT	1							1
16	2	129457-12530	COVER	1							1
17	2	119808-12540	VALVE, UNLOADER	1							1
18	2	121820-12590	NIPPLE	1							1
19	1	129642-12550	PIPE, AIR INTAKE	1							1
20	1	129508-12560	BRACKET, AIR CLEANER	1							1
21	1	171340-77520	BEND	1							1
22	1	23000-070000	CLAMP, 70	1							1
23	1	23000-080000	CLAMP, 80	1							1
24	1	26013-080222	BOLT, M8X 22	4							1
25	1	26013-080222	BOLT, M8X 22	2							1
26	1	26106-080402	BOLT, M8X 40 PLATED	2							1
27	1	26106-080802	BOLT, M8X 80 PLATED	2							1

Remarks
(1) OPTIONAL PART.

N:Old $\frac{100}{100}$ New, Q:Old $\frac{100}{100}$ New, R:Old $\frac{100}{100}$ New, S:Old $\frac{100}{100}$ New, W:Add, Z:Discontinued, F:Interchangeable by set, K:Qty Change
Copyright (C) YANMAR CO., LTD. All Rights Reserved.

Fig.6. EXHAUST MANIFOLD & SILENCER



(A)=4TNV88-DSAP
(B)=
(C)=

(D)=
(E)=
(F)=

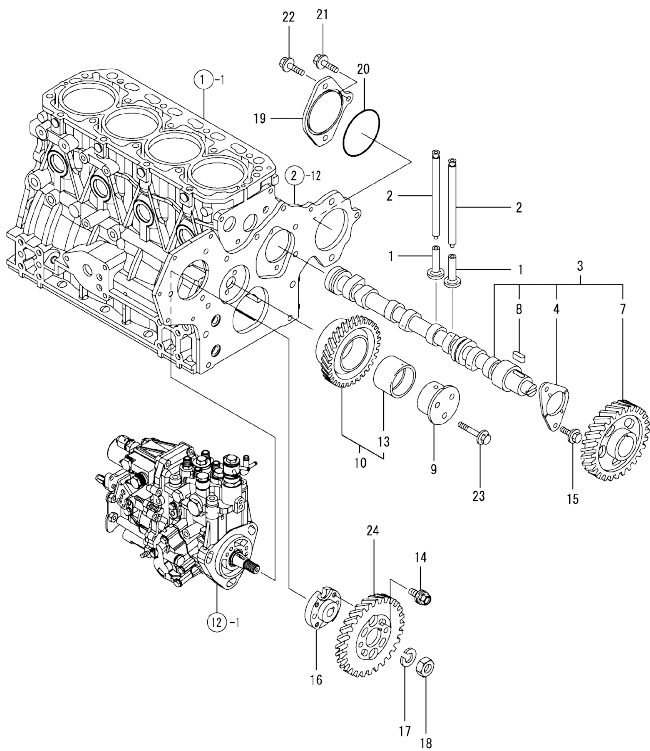
No.	Lev.	Parts No.	Description	Q'ty						I	R
				(A)	(B)	(C)	(D)	(E)	(F)		
1	1	129601-13109	MANIFOLD, EXHAUST	1							
2	1	129550-13110	GASKET	1							
3	1	123900-13610	STUD, M8X80	2							
4	1	123900-13630	BOLT, M8X80	6							
5	1	119131-18320	STUD, M8X22	4							
6	1	26306-080002	NUT, M8	2							
7	1	129930-13201	GASKET, SILENCER	1							
8	1	129930-13201	GASKET, SILENCER	2							1
9	1	129601-13500	SILENCER	1							1
10	1	123925-13600	PIPE ASSY, TAIL	1							1
11	2	128300-13640	CAP	1							1
12	2	121855-13821	SPACER, A	1							1
13	2	121855-13830	SPACER, B	2							1
14	2	123500-13840	SPACER, C	1							1
15	2	26106-060402	BOLT, M6X 40 PLATED	1							1
16	2	26347-040002	NUT, M4	1							1
17	2	26347-060002	NUT, M6	1							1
18	2	26557-040352	SCREW, M4X35	1							1
19	1	26306-080002	NUT, M8	4							1
20	1	26306-080002	NUT, M8	4							1
21	1	26106-080252	BOLT, M8X 25 PLATED	2							1
22	1	114220-07130	LABEL, HOT SURFACE	1							W

(A)=EXXXXX

Remarks
(1) OPTIONAL PART.

OCR10-M65500 ENGINE SECTION (4TNV88-DSAP)
 Fig.7. CAMSHAFT & DRIVING GEAR

OCR10-M65500 Fig.7



(A)=4TNV88-DSAP
 (B)=
 (C)=

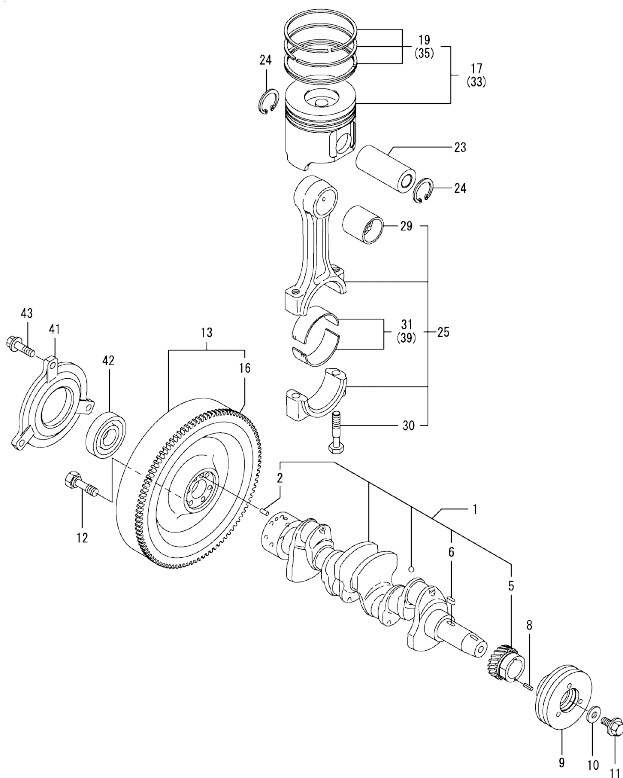
(D)=
 (E)=
 (F)=

No.	Lev.	Parts No.	Description	Q'ty						I	R
				(A)	(B)	(C)	(D)	(E)	(F)		
1	1	129150-14200	TAPPET	8							
2	1	129150-14400	ROD, PUSH L=178	8							
3	1	729402-14580	CAMSHAFT ASSY	1							
4	2	129150-02450	BEARING, THRUST	1							
7	2	129150-14101	GEAR, CAMSHAFT	1							
8	2	22512-070140	KEY, 7X 14	1							
9	1	119802-25051	SHAFT, IDLE	1							
10	1	119802-25101	GEAR ASSY, IDLE	1							
13	2	119802-25071	BUSH, IDLE GEAR	1							1
14	1	129150-25301	BOLT	4							
15	1	26106-080142	BOLT, M8X 14 PLATED	2							
16	1	158552-51151	FLANGE	1							
17	1	22217-140000	WASHER, SPRING 14	1							
18	1	26776-140002	NUT, LOCK M14	1							
19	1	129430-26070	COVER	1							
20	1	24321-000800	O-RING, 1AG80.0	1							
21	1	26106-080252	BOLT, M8X 25 PLATED	1							
22	1	26106-100302	BOLT, M10X 30 PLATED	2							
23	1	26106-080402	BOLT, M8X 40 PLATED	3							
24	1	119802-25901	GEAR, PUMP	1							

Remarks
 (1) REPAIR PART.

N:Old $\frac{100}{100}$ New, Q:Old $\frac{100}{100}$ New, R:Old $\frac{100}{100}$ New, S:Old $\frac{100}{100}$ New, W:Add, Z:Discontinued, F:Interchangeable by set, K:Q'ty Change
 Copyright (C) YANMAR CO., LTD. All Rights Reserved.

Fig.8. CRANKSHAFT & PISTON



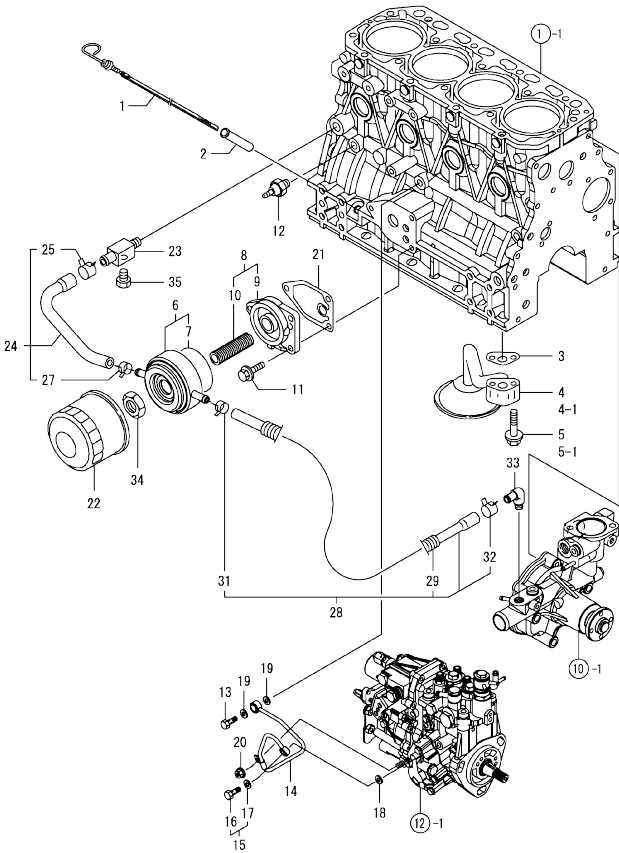
(A)=4TNV88-DSAP
(B)=
(C)=

(D)=
(E)=
(F)=

No.	Lev.	Parts No.	Description	Q'ty						I	R
				(A)	(B)	(C)	(D)	(E)	(F)		
1	1	129601-21002	CRANKSHAFT ASSY	1							
2	2	129100-01580	PIN, M8X16	1							
5	2	119802-21202	GEAR, CRANKSHAFT	1							
6	2	22512-070140	KEY, 7X 14	1							
8	1	22351-030010	PIN, SPRING 3.0X10	1							
9	1	119802-21650	V-PULLEY, 110	1							
10	1	129795-21661	WASHER	1							
11	1	121850-21680	BOLT	1							
12	1	121111-21501	BOLT, FLYWHEEL	6							
13	1	129488-21590	FLYWHEEL ASSY	1							
16	2	119865-21600	GEAR, RING	1							
17	1	129005-22080	PISTON ASSY	4							
19	2	129005-22500	RING SET, PISTON	4							
23	1	129202-22300	PIN, PISTON D26 L70	4							
24	1	22252-000260	RING, 26	8							
25	1	729402-23100	ROD ASSY, CONNECTING	4							
29	2	129100-23910	BEARING, PISTON PIN	4							1
30	2	121550-23200	BOLT, CONNECTING ROD	8							
31	2	129150-23601	BEARING, CRANK PIN	4							
33	1	129005-22900	PISTON ASSY, 0.25 OS	4							2
35	2	129005-22950	RING SET, 0.25 OS	4							2
39	1	129150-23611	BEARING, 0.25 US	4							3
41	1	119888-21450	RETAINER, BEARING	1							
42	1	24104-062054	BEARING, BALL 6205UU	1							
43	1	26106-080222	BOLT, M8X 22 PLATED	3							

Remarks
(1) REPAIR PART.
(2) OVER-SIZE(O.S=0.25)PART.
(3) UNDER-SIZE(U.S=0.25)PART.

Fig.9. LUB.OIL SYSTEM

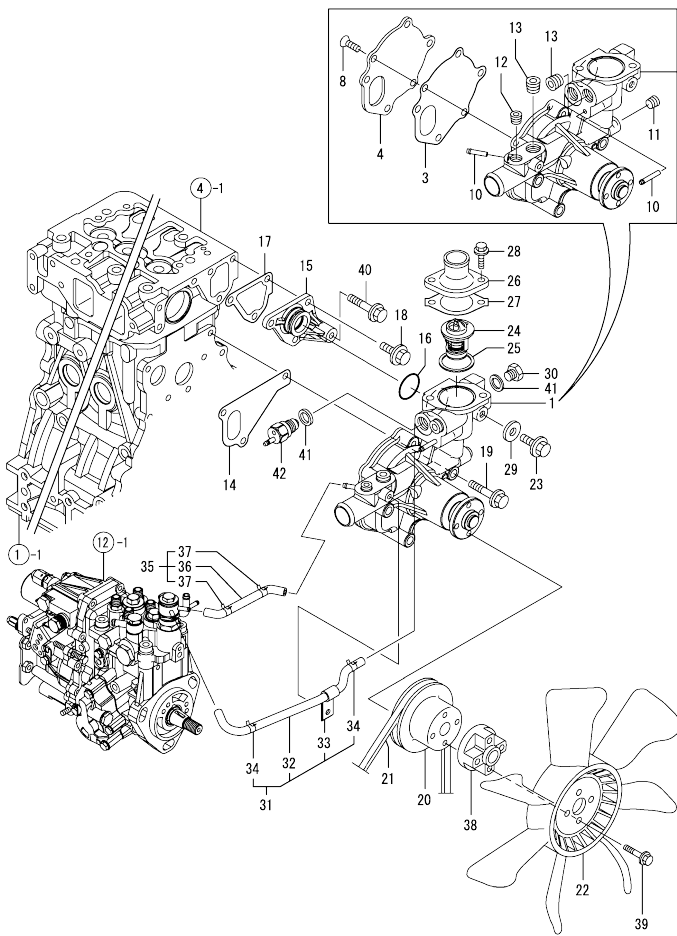


No.	Lev.	Parts No.	Description	Q'ty						I	R
				(A)	(B)	(C)	(D)	(E)	(F)		
1	1	129004-34802	DIPSTICK, OIL	1							
2	1	121520-34810	GUIDE, DIPSTICK	1							
3	1	129150-35042	GASKET	1							
4	1	129436-35091	PIPE ASSY, OIL INLET	1							
4-1	1	129436-35070	PIPE ASSY, LUB. OIL	1							S
(A=EZZZZZ)											
5	1	26106-080352	BOLT, M8X 35 PLATED	2							
5-1	1	26106-080552	BOLT, M8X 55 PLATED	2							S
(A=EZZZZZ)											
6	1	129508-33010	COOLER ASSY, OIL	1							
7	2	129508-33050	O-RING	1							
8	1	129006-35100	BRACKET ASSY, FILTER	1							
9	2	119802-35110	BRACKET, FILTER	1							
10	2	129417-35150	STUD, L=67	1							
11	1	26106-080202	BOLT, M8X 20 PLATED	3							
12	1	114250-39450	SWITCH, 0.5KG	1							
13	1	124160-39140	BOLT, PIPE JOINT M10	1							
14	1	119802-39450	PIPE ASSY, OIL	1							
15	1	129005-59830	BOLT ASSY, JOINT M8	1							
16	2	23857-030000	BOLT, JOINT 3	1							
17	2	22190-080002	WASHER, SEAL 6	1							
18	1	22190-080002	WASHER, SEAL 6	1							
19	1	22190-100002	WASHER, SEAL 10	2							
20	1	26366-060002	NUT, M6	1							
21	1	129150-35111	GASKET	1							
22	1	129150-35170	FILTER, LO	1							1
23	1	129006-44480	JOINT	1							
24	1	129508-49030	PIPE ASSY, WATER	1							
25	2	171008-03990	CLIP, HOSE 18.5	1							
27	2	23080-015000	CLAMP, 15	1							
28	1	129508-49040	PIPE ASSY, WATER	1							
29	2	119940-59130	TUBE, CORRUGATED	1							
31	2	23080-015000	CLAMP, 15	1							
32	2	23080-018000	CLAMP, 18	1							
33	1	129103-49301	ELBOW, PT1/4	1							
34	1	129417-33110	NUT	1							
35	1	171056-49120	PLUG, DRAIN	1							

Remarks
(1) REPAIR PART.

N:Old $\frac{100}{100}$ New, Q:Old $\frac{100}{100}$ New, R:Old $\frac{100}{100}$ New, S:Old $\frac{100}{100}$ New, W:Add, Z:Discontinued, F:Interchangeable by set, K:Q'ty Change
Copyright (C) YANMAR CO., LTD. All Rights Reserved.

OCR10-M65500 ENGINE SECTION (4TNV88-DSAP)
 Fig.10. COOLING WATER SYSTEM



OCR10-M65500 Fig.10

(A)=4TNV88-DSAP
 (B)=
 (C)=

(D)=
 (E)=
 (F)=

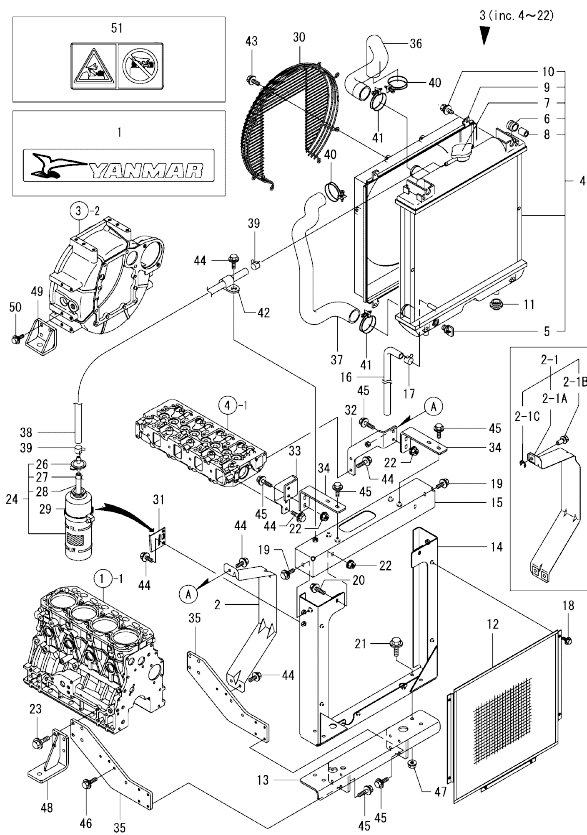
No.	Lev.	Parts No.	Description	Qty						I	R
				(A)	(B)	(C)	(D)	(E)	(F)		
1	1	129004-42001	PUMP ASSY, WATER	1							
3	2	129100-42051	GASKET, WATER PUMP	1							
4	2	129100-42121	PLATE	1							
8	2	121850-42410	SCREW	3							
10	2	119802-49113	JOINT, PIPE	2							
11	2	23876-010000	PLUG, R01	1							
12	2	23876-020000	PLUG, R02	1							
13	2	129916-49740	PLUG, R03	2							
14	1	129486-42021	GASKET, WATER PUMP	1							
15	1	129004-42040	JOINT	1							
16	1	129486-42140	O-RING, G30	1							
17	1	124395-49840	GASKET	1							
18	1	26106-080162	BOLT, M8X 16 PLATED	3							
19	1	26106-080602	BOLT, M8X 60 PLATED	3							
20	1	129403-42380	V-PULLEY, D=110	1							
21	1	119865-42290	V-BELT, A36.5	1							
21-1	1	25152-003600	V-BELT, A36	1							N
22	1	129655-44740	FAN, COOLING D380	1							
23	1	26106-080122	BOLT, M8X 12 PLATED	1							
24	1	129155-49801	THERMOSTAT, 71	1							
25	1	129150-49811	GASKET, THERMOSTAT	1							
26	1	129350-49530	COVER, THERMOSTAT	1							
27	1	129795-49551	GASKET	1							
28	1	26106-080222	BOLT, M8X 22 PLATED	2							
29	1	23414-080000	GASKET, 8X1.0	1							
30	1	121450-42450	PLUG, M16	1							
31	1	129004-49610	PIPE ASSY, WATER	1							
32	2	129004-49711	PIPE ASSY, WATER	1							
33	2	119802-49730	RETAINER, PIPE	1							
34	2	124722-59050	CLIP, HOSE 9	2							
35	1	129004-49620	PIPE ASSY, WATER	1							
36	2	129004-49721	PIPE ASSY, WATER	1							
37	2	124722-59050	CLIP, HOSE 9	2							
38	1	121267-44760	SPACER	1							
39	1	26106-060302	BOLT, M6X 30 PLATED	4							
40	1	26106-080452	BOLT, M8X 45 PLATED	1							
41	1	124465-44950	GASKET, 16	2							
42	1	121250-44901	SWITCH, 110	1							

N:Old $\frac{100}{100}$ New, Q:Old $\frac{100}{100}$ New, R:Old $\frac{100}{100}$ New, S:Old $\frac{100}{100}$ New, W:Add, Z:Discontinued, F:Interchangeable by set, K:Qty Change
 Copyright (C) YANMAR CO., LTD. All Rights Reserved.

Fig.11. RADIATOR

(A)=4TNV88-DSAP
(B)=
(C)=

(D)=
(E)=
(F)=

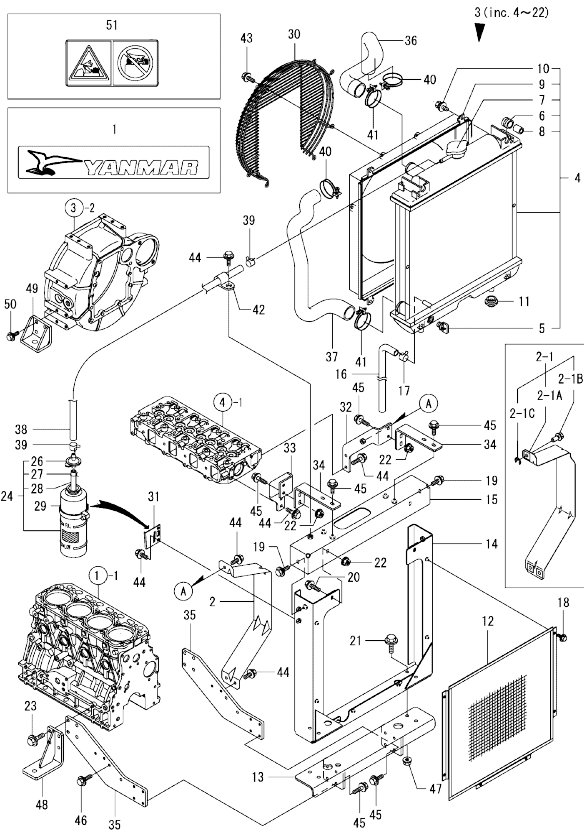


No.	Lev.	Parts No.	Description	Q'ty						I	R
				(A)	(B)	(C)	(D)	(E)	(F)		
1	1	129247-07000	LABEL, YANMAR	1							
2	1	129247-42800	COVER	1							
2-1	1	129247-42810	COVER CMP,V-BELT	1							N
2-1A	1	129247-42801	COVER,V-BELT	1							W
2-1B	1	119746-42820	SCREW,V-BELT COVER	3							W
2-1C	1	22276-000060	RING, E- 6	3							W
3	1	129602-44510	RADIATOR ASSY	1							
4	2	129508-44501	RADIATOR ASSY	1							
5	3	129508-44550	COCK ASSY	1							
6	3	129467-44580	MOUNT, RUBBER	2							
7	3	129107-44590	CAP, RADIATOR	1							
8	3	129467-44590	COLLAR	2							
9	3	129601-44600	SHROUD	1							
10	3	26014-060122	BOLT, M6X 12	4							
11	2	119255-44660	ABSORBER	2							
12	2	129247-44800	SCREEN, RADIATOR	1							
13	2	129247-44960	BRACKET, RADIATOR	1							
14	2	129247-44970	BRACKET, RADIATOR	1							
15	2	129247-44980	BRACKET, RADIATOR	1							
16	2	121520-49160	PIPE, WATER DRAIN	1							
17	2	124766-59050	CLIP, HOSE 12	1							
18	2	26106-060162	BOLT, M6X 16 PLATED	6							
19	2	26106-080162	BOLT, M8X 16 PLATED	2							
20	2	26106-080352	BOLT, M8X 35 PLATED	2							
21	2	26106-100202	BOLT, M10X 20 PLATED	4							
22	2	26366-080002	NUT, M8	6							
23	1	26106-100302	BOLT, M10X 30 PLATED	8							
24	1	124450-44510	TANK ASSY, SUB	1							
26	2	124450-44530	CAP	1							
27	2	124450-44560	RETAINER	1							
28	2	23061-070230	PIPE, 7X 230	1							
29	1	124450-44550	BAND	1							
30	1	129601-44560	GUARD	1							
31	1	121256-44600	BRACKET, SUB TANK	1							
32	1	129247-44910	STAY, MUFFLER	1							
33	1	129247-44920	STAY, MUFFLER	1							
34	1	129247-44930	STAY, MUFFLER	2							
35	1	129247-44950	BRACKET, RADIATOR	2							
36	1	129602-49010	PIPE, WATER	1							
37	1	129612-49040	PIPE, WATER	1							
38	1	170004-49160	PIPE ASSY, DRAIN	1							
39	1	124766-59050	CLIP, HOSE 12	2							
40	1	23010-038000	CLAMP, 38	2							
41	1	23010-044000	CLAMP, 44	2							
42	1	23297-120081	CLAMP, A12X 8	1							
43	1	26106-060162	BOLT, M6X 16 PLATED	8							
44	1	26106-080162	BOLT, M8X 16 PLATED	10							

Remarks
* THIS FIGURE(RADIATOR ASSY)IS
OPTIONAL PART.

N:Old $\frac{100}{100}$ New, Q:Old $\frac{100}{100}$ New, R:Old $\frac{100}{100}$ New, S:Old $\frac{100}{100}$ New, W:Add, Z:Discontinued, F:Interchangeable by set, K:Q'ty Change
++ CONTINUE ++
Copyright (C) YANMAR CO., LTD. All Rights Reserved.

Fig.11. RADIATOR



(A)=4TNV88-DSAP
(B)=
(C)=

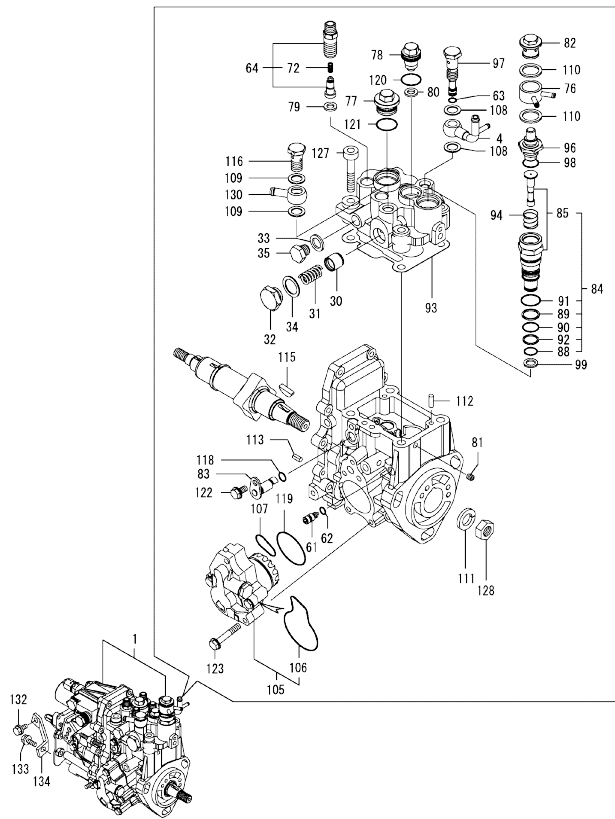
(D)=
(E)=
(F)=

No.	Lev.	Parts No.	Description	Q'ty						I	R
				(A)	(B)	(C)	(D)	(E)	(F)		
44-1	1	26106-080162	BOLT, M8X 16 PLATED	9							K
(A=EZZZZZ)											
44-2	1	26106-080162	BOLT, M8X 16 PLATED	6							K
(A=EXXXXXX)											
45	1	26106-080202	BOLT, M8X 20 PLATED	16							
45-1	1	26106-080202	BOLT, M8X 20 PLATED	14							K
(A=EZZZZZ)											
46	1	26106-080252	BOLT, M8X 25 PLATED	4							
47	1	26366-100002	NUT, M10	6							
48	1	129188-08100	FOOT	2							
49	1	119888-08110	FOOT	2							
50	1	26106-100202	BOLT, M10X 20 PLATED	8							
51	1	129946-07000	LABEL, NO OPEN	1							W
(A=EXXXXXX)											

Remarks
* THIS FIGURE(RADIATOR ASSY)IS
OPTIONAL PART.

N:Old $\frac{100}{100}$ New. Q:Old $\frac{100}{100}$ New. R:Old $\frac{100}{100}$ New. S:Old $\frac{100}{100}$ New. W:Add. Z:Discontinued. F:Interchangeable by set. K:Q'ty Change
Copyright (C) YANMAR CO., LTD. All Rights Reserved.

Fig.12. FUEL INJECTION PUMP



(A)=4TNV88-DSAP
(B)=
(C)=

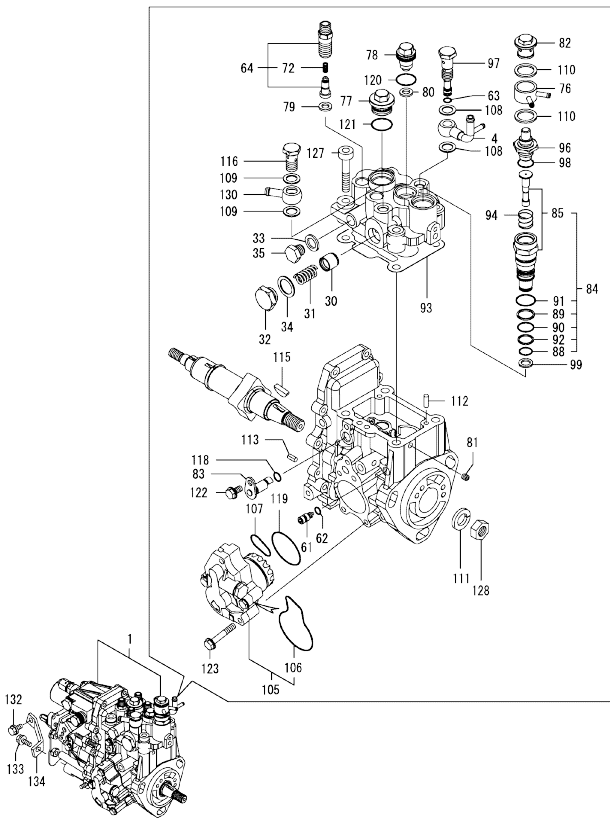
(D)=
(E)=
(F)=

No.	Lev.	Parts No.	Description	Q'ty						I	R
				(A)	(B)	(C)	(D)	(E)	(F)		
1	1	729602-51310	PUMP ASSY, INJECTION	1							1
4	2	158552-51670	JOINT, OVER FLOW	1							
30	2	158601-51770	PISTON	1							
31	2	158552-51780	SPRING	1							
32	2	158601-51790	PLUG	1							
33	2	22190-120002	WASHER, SEAL 12	1							
34	2	22190-180002	WASHER, SEAL 18	1							
35	2	23887-120002	PLUG, 12	1							
61	2	158600-51270	STOPPER, TAPPET	1							
62	2	158563-51281	O-RING, 4D S6	1							
63	2	158563-51281	O-RING, 4D S6	1							
64	2	129509-51390	VALVE ASSY, DELIVERY	4							W
(A=2008.02.)											
72	3	158563-51330	SPRING, DELIVERY	4							
76	2	158553-51551	JOINT	1							
77	2	158601-51550	PLUG	1							
78	2	119802-51560	PLUG, BARREL	1							
79	2	158552-51570	GASKET	4							
80	2	158552-51570	GASKET	1							
81	2	158557-51570	PLUG	1							
82	2	158601-51570	PLUG	1							
83	2	158552-51580	LIFTER	1							
84	2	119802-51590	TIMER SET	1							
85	3	119802-51600	TIMER ASSY	1							
88	3	158553-51670	O-RING, 1011	1							
89	3	119802-51680	RING, BACK UP	1							
90	3	119802-51690	O-RING	1							
91	3	24356-010200	O-RING, 4D1020	1							
92	3	24372-000150	RING, BACK UP T2P15	1							
93	2	158552-51600	GASKET	1							
94	2	158553-51630	SPRING, TIMER	1							
96	2	158553-51640	ELEMENT	1							
97	2	158601-51650	JOINT, OVER FLOW	1							
98	2	158553-51660	O-RING, P14	1							
99	2	158553-51680	GASKET	1							
105	2	158552-52100	PUMP ASSY, FUEL FEED	1							
106	3	158552-52500	O-RING	1							
107	2	158552-52310	O-RING	1							
108	2	22190-120002	WASHER, SEAL 12	2							
109	2	22190-120002	WASHER, SEAL 12	2							
110	2	22190-180002	WASHER, SEAL 18	2							
111	2	22217-140000	WASHER, SPRING 14	1							
112	2	22312-050140	PIN, PARALLEL M5X14	2							
113	2	22351-050010	PIN, SPRING 5.0X10	2							
115	2	119802-51090	KEY, 4X16	1							
116	2	23857-060000	BOLT, JOINT 6	1							
118	2	24311-000070	O-RING, 1AP7.0	1							
119	2	158552-52400	O-RING, 4E S42	1							
120	2	24356-010180	O-RING, 4D1018	1							
121	2	24356-010200	O-RING, 4D1020	1							
122	2	26106-060102	BOLT, M6X 10 PLATED	1							

Remarks
(1) GOVERNOR ASSY(FIG.13) IS
INCORPORATED IN THIS FOP.CMP
(REF.NO.1).

N:Old $\frac{100}{100}$ New, Q:Old $\frac{100}{100}$ New, R:Old $\frac{100}{100}$ New, S:Old $\frac{100}{100}$ New, W:Add, Z:Discontinued, F:Interchangeable by set, K:Q'ty Change
++ CONTINUE ++
Copyright (C) YANMAR CO., LTD. All Rights Reserved.

Fig.12. FUEL INJECTION PUMP



(A)=4TNV88-DSAP
(B)=
(C)=

(D)=
(E)=
(F)=

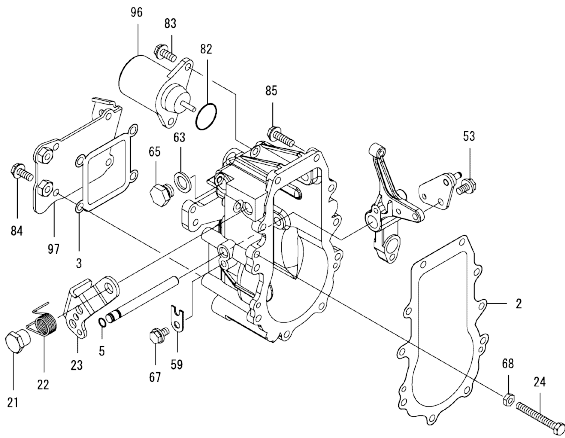
No.	Lev.	Parts No.	Description	Q'ty						
				(A)	(B)	(C)	(D)	(E)	(F)	
123	2	158553-51770	BOLT						4	
127	2	26450-080452	BOLT, M8X 45						4	
128	2	26776-140002	NUT, LOCK M14						1	
130	2	129916-59020	JOINT, PIPE 12						1	
132	1	26106-080162	BOLT, M8X 16 PLATED						1	
133	1	26106-080202	BOLT, M8X 20 PLATED						1	
134	1	129601-51250	RETAINER, PUMP						1	

Remarks
(1) GOVERNOR ASSY(FIG.13) IS
INCORPORATED IN THIS FOP.CMP
(REF.NO.1).

Fig.13. GOVERNOR

(A)=4TNV88-DSAP
(B)=
(C)=

(D)=
(E)=
(F)=

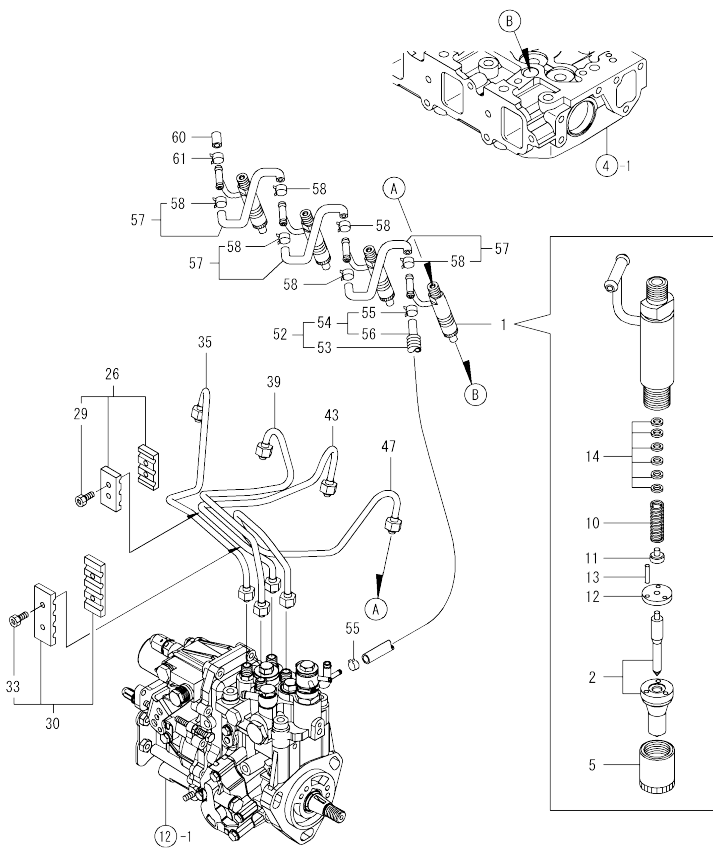


No.	Lev.	Parts No.	Description	Q'ty					
				(A)	(B)	(C)	(D)	(E)	(F)
2	2	158553-61050	GASKET	1					
3	2	158553-61070	GASKET	1					
5	2	129155-51280	O-RING, S6	1					
21	2	129255-61410	NUT, LOCK	1					
22	2	119807-61420	SPRING, RETURN	1					
23	2	158552-61441	LEVER, REGULATOR	1					
24	2	129155-61460	BOLT, IDLE	1					
53	2	26106-060102	BOLT, M6X 10 PLATED	1					
59	2	119660-61901	RETAINER, SHAFT	1					
63	2	22190-120000	WASHER, SEAL 12	1					
65	2	23887-120002	PLUG, 12	1					
67	2	26106-060102	BOLT, M6X 10 PLATED	1					
68	2	26756-060002	NUT, LOCK M6	1					
82	2	158552-61900	O-RING	1					
83	2	26106-060142	BOLT, M6X 14 PLATED	2					
84	2	26106-060142	BOLT, M6X 14 PLATED	4					
85	2	26106-060202	BOLT, M6X 20 PLATED	10					
96	2	119653-77950	SOLENOID, STOP	1					
97	2	158552-61061	COVER, GOVERNOR CASE	1					

Remarks
* THIS FIGURE(GOVERNOR ASSY)IS
INCORPORATED IN THE FUEL INJECTION
PUMP ASSY(FIG.12).

N:Old $\frac{100}{100}$ New, Q:Old $\frac{100}{100}$ New, R:Old $\frac{100}{100}$ New, S:Old $\frac{100}{100}$ New, W:Add, Z:Discontinued, F:Interchangeable by set, K:Q'ty Change
Copyright (C) YANMAR CO., LTD. All Rights Reserved.

Fig.14. FUEL INJECTION VALVE

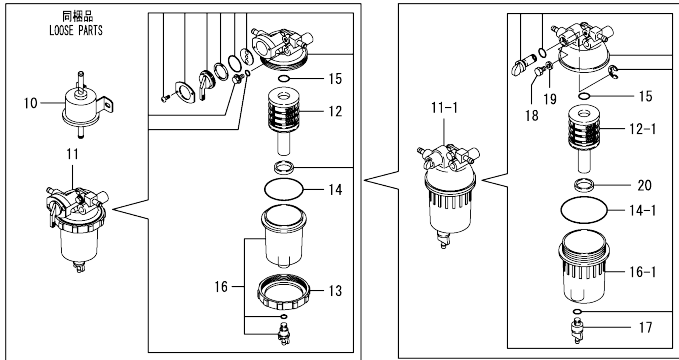
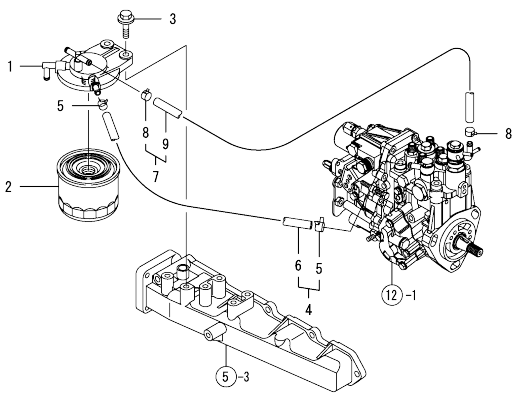


No.	Lev.	Parts No.	Description	Q'ty						I	R
				(A)	(B)	(C)	(D)	(E)	(F)		
1	1	729602-53101	VALVE ASSY,INJECTION	4							
2	2	129602-53001	VALVE ASSY,INJECTION	4							
5	2	114250-53080	NUT, NOZZLE D16.95	4							
10	2	114250-53120	SPRING, NOZZLE	4							
11	2	114250-53130	SEAT, SPRING	4							
12	2	114250-53140	PLATE	4							
13	2	114250-53210	PIN	8							
14	2	114250-53400	SHIM SET	4							
26	1	129150-59120	RETAINER, PIPE	1							
29	2	129150-59131	BOLT, M4X14	2							
30	1	129550-59120	RETAINER, PIPE	1							
33	2	129150-59131	BOLT, M4X14	2							
35	1	129601-59810	PIPE ASSY, INJECTION	1							
39	1	129601-59820	PIPE ASSY, INJECTION	1							
43	1	129601-59830	PIPE ASSY, INJECTION	1							
47	1	129601-59840	PIPE ASSY, INJECTION	1							
52	1	129263-59550	PIPE ASSY, RETURN	1							
53	2	129486-59320	TUBE, CORRUGATED	1							
54	2	119802-59550	PIPE ASSY, RETURN	1							
55	3	124722-59050	CLIP, HOSE 9	2							
56	3	119802-59560	PIPE, FUEL RETURN	1							
57	1	129486-59551	PIPE ASSY, RETURN	3							
58	2	124722-59050	CLIP, HOSE 9	6							
60	1	119593-59581	CAP	1							
61	1	124060-77680	CLIP, HOSE 10	1							

Fig.15. FUEL LINE

(A)=4TNV88-DSAP
(B)=
(C)=

(D)=
(E)=
(F)=



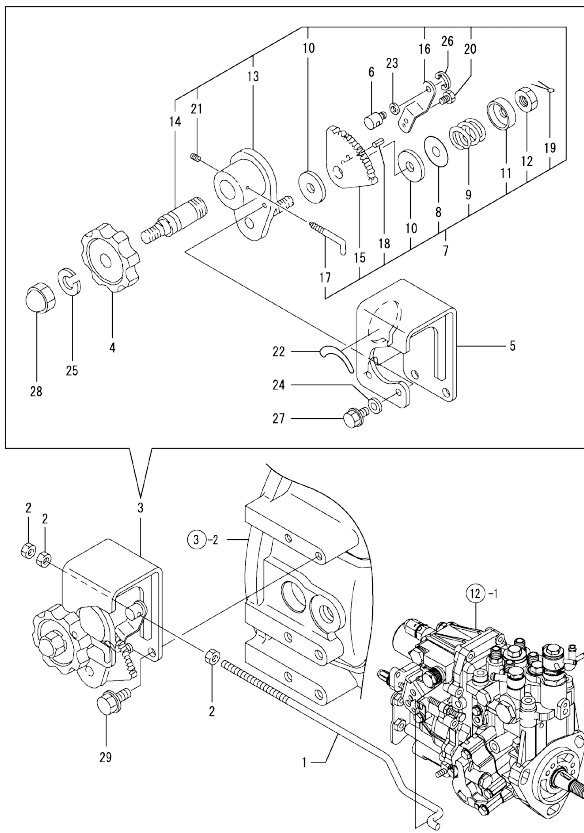
No.	Lev.	Parts No.	Description	Qty						I	R	
				(A)	(B)	(C)	(D)	(E)	(F)			
1	1	129004-55612	BRACKET, FILTER	1								
2	1	119802-55810	FILTER,FO	1								
3	1	26106-080302	BOLT, M8X 30 PLATED	2								
4	1	129210-59090	PIPE ASSY, FUEL	1								
5	2	124766-59050	CLIP, HOSE 12	2								
6	2	105325-59570	PIPE, FUEL	1								
7	1	129210-59150	PIPE ASSY, FUEL	1								
8	2	124766-59050	CLIP, HOSE 12	2								
9	2	105025-59530	PIPE, FUEL D13X400	1								
10	1	119225-52102	PUMP ASSY, FUEL FEED	1								
11	1	119802-55700	SEPARATOR ASSY	1								
11-1	1	129242-55700	SEPARATOR ASSY	1								N
(A=2008.08.)												
12	2	119802-55710	ELEMENT	1								
12-1	2	129242-55730	ELEMENT	1								S
(A=2008.08.)												
13	2	129100-55690	RING, RETAINING	1								Z
(A=2008.08.)												
14	2	24321-000650	O-RING, 1AG65.0	1								
14-1	2	24321-000750	O-RING, 1AG75.0	1								S
(A=2008.08.)												
15	2	24311-000160	O-RING, 1AP16.0	1								
16	2	119802-55730	CUP ASSY	1								W
(A=FROM 1ST)												
16-1	2	129242-55720	CUP	1								S
(A=2008.08.)												
17	2	129242-55740	PLUG, DRAIN	1								W
(A=2008.08.)												
18	2	129242-55750	VALVE, AIR VENT	1								W
(A=2008.08.)												
19	2	129242-55760	GASKET	1								W
(A=2008.08.)												
20	2	129242-55770	FLOAT	1								W
(A=2008.08.)												

OCR10-M65500 ENGINE SECTION (4TNV88-DSAP)
Fig.16. ENGINE CONTROL DEVICE

OCR10-M65500 Fig.16

(A)=4TNV88-DSAP
 (B)=
 (C)=

(D)=
 (E)=
 (F)=

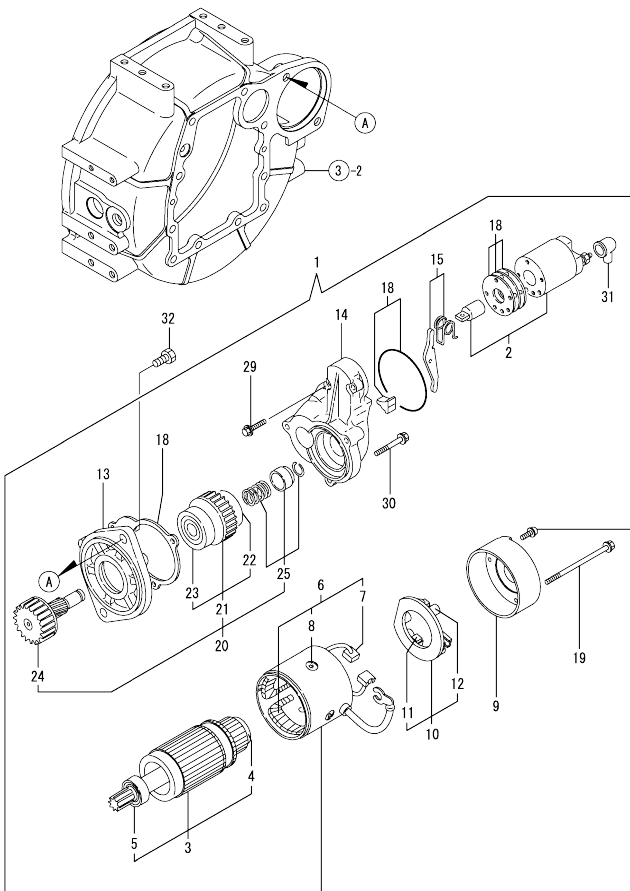


No.	Lev.	Parts No.	Description	Q'ty						I	R
				(A)	(B)	(C)	(D)	(E)	(F)		
1	1	129647-66120	LINK, ENGINE CONTROL	1							
2	1	26756-050002	NUT, LOCK M5	3							
3	1	119888-66161	CONTROLLER ASSY	1							
4	2	126650-66020	HANDLE, REGULATOR	1							
5	2	119888-66111	BRACKET	1							
6	2	119888-66130	PIVOT	1							
7	2	171048-67010	CONTROLLER ASSY	1							
8	3	171102-66080	WASHER	1							
9	3	104200-66820	SPRING	1							
10	3	104200-66831	PLATE, FRICTION	2							
11	3	104200-66850	WASHER	1							
12	3	104200-66860	NUT	1							
13	3	171085-67100	BRACKET	1							
14	3	171085-67110	SHAFT, DRIVE	1							
15	3	171085-67120	GEAR	1							
16	3	171048-67130	LEVER	1							
17	3	171048-67140	STOPPER	1							
18	3	22351-020006	PIN, SPRING 2.0X 6	1							
19	3	22411-200150	COTTER PIN	1							
20	3	26116-060082	BOLT, M6X 8 PLATED	1							
21	3	26921-050122	SCREW, M5X12	1							
22	2	170064-67210	LABEL, HANDLE	1							
23	2	22117-060000	WASHER, 6	1							
24	2	22137-100000	WASHER, 10	1							
25	2	22217-100000	WASHER, SPRING 10	1							
26	2	22272-000050	RING, E- 5	1							
27	2	26106-060102	BOLT, M6X 10 PLATED	2							
28	2	26657-100002	NUT, CAP M10	1							
29	1	26106-080162	BOLT, M8X 16 PLATED	2							

Remarks
 * THIS FIGURE(ENGINE CONTROL DEVICE)
 ASSY)IS OPTIONAL PART.

N:Old $\frac{New}{Old}$ New, Q:Old $\frac{New}{Old}$ New, R:Old $\frac{New}{Old}$ New, S:Old $\frac{New}{Old}$ New, W:Add, Z:Discontinued, F:Interchangeable by set, K:Q'ty Change
 Copyright (C) YANMAR CO., LTD. All Rights Reserved.

Fig.17. STARTING MOTOR

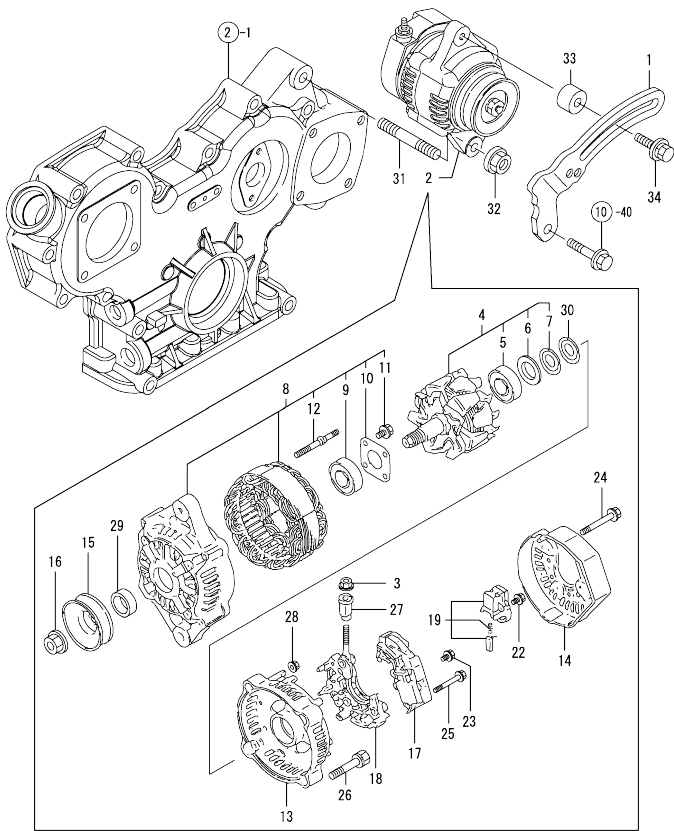


(A)=4TNV88-DSAP
(B)=
(C)=

(D)=
(E)=
(F)=

No.	Lev.	Parts No.	Description	Q'ty						I	R
				(A)	(B)	(C)	(D)	(E)	(F)		
1	1	129136-77011	STARTER	1							
2	2	129136-77310	SWITCH ASSY	1							
3	2	129900-77400	ARMATURE ASSY	1							
4	3	X2130350900	BALL BEARING	1							
5	3	X2114255110	BEARING, BALL	1							
6	2	129900-77440	COIL ASSY, FIELD	1							
7	3	129900-77450	BRUSH (+)	2							
8	3	171008-77450	SCREW	4							
9	2	129900-77460	COVER, REAR	1							
10	2	129900-77480	HOLDER ASSY, BRASH	1							
11	3	129900-77450	BRUSH (+)	2							
12	3	129400-77490	SPRING, BRUSH	4							
13	2	171008-77510	HOUSING ASSY, GEAR	1							
14	2	129136-77520	CENTER HOUSING	1							
15	2	171008-77540	LEVER SET, SHIFT	1							
18	2	129400-77571	DUST COVER, (NON-ASB.	1							
19	2	129900-77640	BOLT, THROUGHT	2							
20	2	171008-77650	PINION ASSY	1							
21	3	X2114555500	CLUTCH ASSY	1							
22	4	X2114955020	BALL BEARING	1							
23	4	X2240410100	BEARING, BALL	1							
24	3	171008-77660	SHAFT, PINION	1							
25	3	171008-77670	STOPPER SET, PINION	1							
29	2	26106-060322	BOLT, M6X 32 PLATED	2							
30	2	26106-060402	BOLT, M6X 40 PLATED	3							
31	2	171008-77750	COVER, M TERMINAL	1							
32	1	26116-120252	BOLT, M12X 25 PLATED	2							

Fig.18. GENERATOR

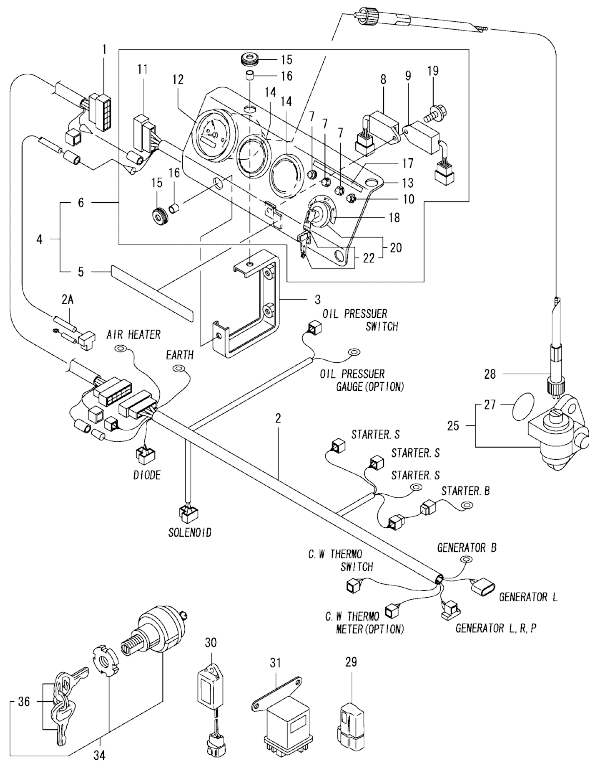


(A)=4TNV88-DSAP
(B)=
(C)=

(D)=
(E)=
(F)=

No.	Lev.	Parts No.	Description	Q'ty						I	R
				(A)	(B)	(C)	(D)	(E)	(F)		
1	1	129064-77330	ADJUSTER	1							
2	1	129423-77200	GENERATOR, 12V-40A	1							
3	2	X9490561001	NUT	1							
4	2	119620-77380	ROTOR ASSY	1							
5	3	123501-79240	BEARING, BALL	1							
6	3	119620-79250	COVER, BEARING	1							
7	3	119620-79360	WASHER, THRUST	1							
8	2	119620-77421	FRAME ASSY, DRIVE	1							
9	3	119620-79200	BALL BEARING	1							
10	3	119620-79210	PLATE	1							
11	3	119620-79220	SCREW	4							
12	3	119620-79230	BOLT, STUD	2							
13	2	119620-77440	FLAME ASSY, REAR	1							
14	2	129240-79300	COVER	1							
15	2	119620-77461	PULLEY	1							
16	2	119620-77471	NUT	1							
17	2	129423-77710	REGULATOR ASSY	1							
18	2	119620-79260	HOLDER	1							
19	2	129052-79270	HOLDER, BRUSH	1							
22	2	119620-79290	SCREW	1							
23	2	119620-79300	SCREW	1							
24	2	119620-79310	BOLT	3							
25	2	119620-79320	SCREW W/WASHER	2							
26	2	119620-79330	BOLT	2							
27	2	119620-79340	INSULATION BUSH	1							
28	2	119620-79350	NUT	2							
29	2	119620-77490	COLLAR	1							
30	2	119620-79360	WASHER, THRUST	1							
31	1	129795-01900	STUD	1							
32	1	26306-100002	NUT, M10	1							
33	1	129067-77340	SPACER	1							
34	1	129972-77341	BOLT, ADJUSTER L=50	1							

Fig.19. ELECTRIC PARTS



(A)=4TNV88-DSAP
(B)=
(C)=

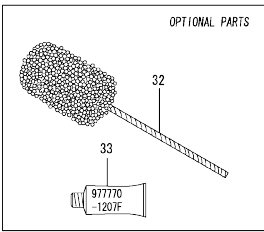
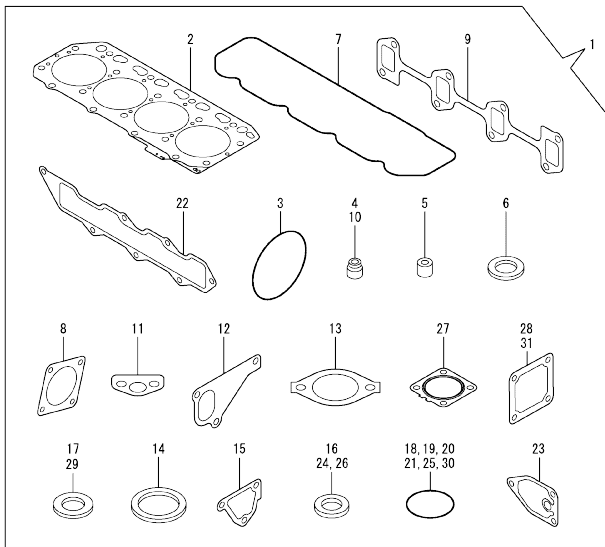
(D)=
(E)=
(F)=

No.	Lev.	Parts No.	Description	Q'ty						I	R
				(A)	(B)	(C)	(D)	(E)	(F)		
1	1	119946-91010	CORD, EXTENSION	1							
2	1	119888-91026	HARNESS, WIRE	1							
2-1	1	119888-91027	HARNESS, WIRE	1							N
(A=2008.10.)											
2A	1	119946-91020	CORD, EXTENSION	1							W
(A=EZZZZZ)											
3	1	119888-91120	SUPPORT	2							
4	1	119888-91102	PANEL ASSY	1							
5	2	104507-07190	LABEL, YANMAR	1							
6	2	170121-91101	PANEL ASSY	1							
7	3	124732-77720	LAMP, CHARGING	3							
8	3	128300-77920	TIMER	1							
9	3	129211-77920	TIMER	1							
10	3	124559-77971	LAMP, PILOT	1							
11	3	119888-91032	HARNESS, WIRE	1							
12	3	171080-91101	TACHOMETER	1							
13	3	119888-91110	BODY, PANEL	1							
14	3	124770-91220	COVER	2							
15	3	121400-91520	ABSORBER	4							
16	3	121400-91530	SPACER	4							
17	3	119888-91610	LABEL, CW & OIL LAMP	1							
18	3	119888-91620	LABEL, KEY SWITCH	1							
19	3	26106-060102	BOLT, M6X 10 PLATED	1							
20	3	933110-00100	SWITCH ASSY, STARTER	1							
22	4	933110-00301	KEY ASSY	2							
25	1	129150-91400	GEAR	1							
27	2	24341-000240	O-RING, 1AS24.0	1							
28	1	124737-91420	CABLE, TACHOMETER	1							
29	1	119643-66900	DIODE	1							
30	1	129211-77920	TIMER	1							
31	1	119650-77910	RELAY ASSY, GLOW	1							
34	1	933110-00100	SWITCH ASSY, STARTER	1							
36	2	933110-00301	KEY ASSY	1							

Remarks
* THIS FIGURE(ELECTRIC PARTS ASSY)IS
OPTIONAL PART.

N:Old $\frac{100}{100}$ New. Q:Old $\frac{100}{100}$ New. R:Old $\frac{100}{100}$ New. S:Old $\frac{100}{100}$ New. W:Add. Z:Discontinued. F:Interchangeable by set. K:Q'ty Change
Copyright (C) YANMAR CO., LTD. All Rights Reserved.

Fig.20. GASKET SET



Remarks
(1) OPTIONAL PART.

No.	Lev.	Parts No.	Description	Q'ty						I	R
				(A)	(B)	(C)	(D)	(E)	(F)		
1	1	729601-92990	GASKET SET	1							1
2	2	129407-01340	GASKET, HEAD	1							
3	2	121850-51960	O-RING	1							
4	2	124460-11340	SEAL, VALVE STEM	4							
5	2	119802-11870	PROTECTOR, NOZZLE	4							
6	2	119625-11880	SEAT, NOZZLE	4							
7	2	129601-11310	GASKET, BONNET	1							
8	2	124240-01883	GASKET	1							
9	2	129550-13110	GASKET	1							
10	2	121400-11340	SEAL, VALVE STEM	4							
11	2	129150-35042	GASKET	1							
12	2	129486-42021	GASKET, WATER PUMP	1							
13	2	129795-49551	GASKET	1							
14	2	129150-49811	GASKET, THERMOSTAT	1							
15	2	124395-49840	GASKET	1							
16	2	22190-080002	WASHER, SEAL 6	2							
17	2	124465-44950	GASKET, 16	2							
18	2	24311-000120	O-RING, 1AP12.0	3							
19	2	24311-000320	O-RING, 1AP32.0	2							
20	2	24341-000240	O-RING, 1AS24.0	1							
21	2	129486-42140	O-RING, G30	1							
22	2	129407-12110	GASKET, MANIFOLD	1							
23	2	129150-35111	GASKET	1							
24	2	22190-220002	WASHER, SEAL 22	1							
25	2	119609-32040	O-RING, P16	4							
26	2	22190-100002	WASHER, SEAL 10	2							
27	2	129930-13201	GASKET, SILENCER	1							
28	2	129150-77511	GASKET	1							
29	2	23414-080000	GASKET, 8X1.0	1							
30	2	24321-000800	O-RING, 1AG80.0	1							
31	2	129100-77510	GASKET, AIR HEATER	1							
32	1	129400-92430	HONE	1							1
33	1	977770-1207F	GASKET, LIQUID	1							1

Parts No. Index

Parts No.	Fig. No.	Ref. No.	Parts No.	Fig. No.	Ref. No.	Parts No.	Fig. No.	Ref. No.	Parts No.	Fig. No.	Ref. No.
104200-66820	16	9	119746-42820	11	2 -1B	119888-91102	19	4	124450-44530	11	26
104200-66831	16	10	119802-01561	2	13	119888-91110	19	13	124450-44550	11	29
104200-66850	16	11	119802-03110	4	41	119888-91120	19	3	124450-44560	11	27
104200-66860	16	12	119802-03121	4	42	119888-91610	19	17	124460-11340	4	17
104507-07190	19	5	119802-03130	4	43	119888-91620	19	18		20	4
105025-59530	15	9	119802-03141	4	44	119940-59130	9	29	124465-44950	10	41
105325-59570	15	6	119802-11260	4	26	119946-91010	19	1		20	17
114220-07130	6	22	119802-11270	4	27	119946-91020	19	2 A	124559-77971	19	10
114250-39450	9	12	119802-11870	4	19	120130-11860	4	5	124722-59050	10	34
114250-53080	14	5		20	5	120270-54410	4	23			37
114250-53120	14	10	119802-21202	8	5	121023-01551	2	28		14	55
114250-53130	14	11	119802-21650	8	9	121111-21501	8	12			58
114250-53140	14	12	119802-25051	7	9	121250-44901	10	42	124732-77720	19	7
114250-53210	14	13	119802-25071	7	13	121256-44600	11	31	124737-91420	19	28
114250-53400	14	14	119802-25101	7	10	121267-44760	10	38	124766-59050	11	17
119131-18320	6	5	119802-25901	7	24	121400-11340	4	16			39
119225-52102	15	10	119802-32070	2	8		20	10		15	5
119255-44660	11	11	119802-32100	2	7	121400-91520	19	15			8
119593-59581	14	60	119802-32111	2	18	121400-91530	19	16	124770-91220	19	14
119609-32040	2	17	119802-32120	2	19	121450-42450	10	30	126650-66020	16	4
	20	25	119802-32130	2	20	121520-34810	9	2	128300-13640	6	11
119620-01750	3	4	119802-35110	9	9	121520-49160	11	16	128300-77920	19	8
119620-77380	18	4	119802-39450	9	14	121550-23200	8	30	129001-01250	1	11
119620-77421	18	8	119802-49113	10	10	121820-12590	5	18	129001-02931	1	25
119620-77440	18	13	119802-49730	10	33	121850-21680	8	11	129001-32330	2	11
119620-77461	18	15	119802-51090	12	115	121850-42410	10	8	129001-91841	2	22
119620-77471	18	16	119802-51560	12	78	121850-51960	2	21	129004-01190	1	33
119620-77490	18	29	119802-51590	12	84		20	3	129004-03010	4	39
119620-79200	18	9	119802-51600	12	85	121855-13821	6	12	129004-11650	4	31
119620-79210	18	10	119802-51680	12	89	121855-13830	6	13	129004-11900	4	21
119620-79220	18	11	119802-51690	12	90	123500-13840	6	14	129004-34802	9	1
119620-79230	18	12	119802-55700	15	11	123501-79240	18	5	129004-42001	10	1
119620-79250	18	6	119802-55710	15	12	123900-13610	6	3	129004-42040	10	15
119620-79260	18	18	119802-55730	15	16	123900-13630	6	4	129004-49610	10	31
119620-79290	18	22	119802-55810	15	2	123925-13600	6	10	129004-49620	10	35
119620-79300	18	23	119802-59550	14	54	124060-01050	1	10	129004-49711	10	32
119620-79310	18	24	119802-59560	14	56	124060-77680	14	61	129004-49721	10	36
119620-79320	18	25	119807-61420	13	22	124160-01751	2	14	129004-55612	15	1
119620-79330	18	26	119808-12540	5	17		4	50	129005-01520	2	12
119620-79340	18	27	119865-21600	8	16	124160-01910	1	5	129005-11100	4	10
119620-79350	18	28	119865-42290	10	21			15	129005-22080	8	17
119620-79360	18	7	119888-01601	3	2	124160-11360	4	52	129005-22500	8	19
		30	119888-08110	11	49	124160-39140	9	13	129005-22900	8	33
119625-11880	4	20	119888-21450	8	41	124240-01871	2	15	129005-22950	8	35
	20	6	119888-66111	16	5			32	129005-59830	9	15
119640-01640	3	9	119888-66130	16	6	124240-01883	2	33	129006-35100	9	8
119643-66900	19	29	119888-66161	16	3			20	129006-44480	9	23
119650-77910	19	31	119888-91026	19	2	124395-49840	10	17	129052-79270	18	19
119653-77950	13	96	119888-91027	19	2 -1			20	129064-77330	18	1
119660-61901	13	59	119888-91032	19	11	124450-44510	11	24	129067-77340	18	33

Parts No. Index

Parts No.	Fig. No.	Ref. No.
129100-01580	3	1
		15
	8	2
129100-01640	3	16
129100-11112	4	11
129100-23910	8	29
129100-42051	10	3
129100-42121	10	4
129100-55690	15	13
129100-77501	5	8
129100-77510	5	9
	20	31
129103-49301	9	33
129107-44590	11	7
129136-77011	17	1
129136-77310	17	2
129136-77520	17	14
129150-01200	1	31
129150-02020	1	7
129150-02450	7	4
129150-02871	1	34
129150-02931	1	28
129150-02941	1	37
129150-03070	4	40
129150-11230	4	32
129150-11280	4	28
129150-11370	4	18
129150-11750	4	34
129150-11810	4	7
129150-14101	7	7
129150-14200	7	1
129150-14400	7	2
129150-23601	8	31
129150-23611	8	39
129150-25301	7	14
129150-35042	9	3
	20	11
129150-35111	9	21
	20	23
129150-35170	9	22
129150-49811	10	25
	20	14
129150-59120	14	26
129150-59131	14	29
		33
129150-77511	5	10
	20	28
129150-91400	19	25
129155-49801	10	24
129155-51280	13	5

Parts No.	Fig. No.	Ref. No.
129155-61460	13	24
129188-08100	11	48
129202-22300	8	23
129210-59090	15	4
129210-59150	15	7
129211-77920	19	9
		30
129240-79300	18	14
129242-55700	15	11 -1
129242-55720	15	16 -1
129242-55730	15	12 -1
129242-55740	15	17
129242-55750	15	18
129242-55760	15	19
129242-55770	15	20
129247-07000	11	1
129247-42800	11	2
129247-42801	11	2 -1A
129247-42810	11	2 -1
129247-44800	11	12
129247-44910	11	32
129247-44920	11	33
129247-44930	11	34
129247-44950	11	35
129247-44960	11	13
129247-44970	11	14
129247-44980	11	15
129255-61410	13	21
129263-59550	14	52
129350-49530	10	26
129400-01730	3	6
129400-01770	3	8
129400-77490	17	12
129400-77571	17	18
129400-92430	20	32
129403-42380	10	20
129407-01340	1	32
	20	2
129407-12110	5	5
	20	22
129410-03990	5	2
129417-33110	9	34
129417-35150	9	10
129418-32320	2	10
129423-77200	18	2
129423-77710	18	17
129430-26070	7	19
129436-35070	9	4 -1
129436-35091	9	4
129457-12530	5	16

Parts No.	Fig. No.	Ref. No.
129467-44580	11	6
129467-44590	11	8
129486-01670	3	19
129486-35210	3	3
129486-42021	10	14
	20	12
	10	16
129486-42140	20	21
		20
129486-59320	14	53
129486-59551	14	57
129488-21590	8	13
129508-12560	5	20
129508-33010	9	6
129508-33050	9	7
129508-44501	11	4
129508-44550	11	5
129508-49030	9	24
129508-49040	9	28
129509-51390	12	64
129550-13110	6	2
	20	9
129550-59120	14	30
129601-03080	5	1
129601-11241	4	25
129601-11251	4	29
129601-11310	4	47
	20	7
129601-11350	4	38
129601-12100	5	3
129601-12500	5	14
129601-13109	6	1
129601-13500	6	9
129601-21002	8	1
129601-44560	11	30
129601-44600	11	9
129601-51250	12	134
129601-59810	14	35
129601-59820	14	39
129601-59830	14	43
129601-59840	14	47
129602-11700	4	1
129602-44510	11	3
129602-49010	11	36
129602-53001	14	2
129612-49040	11	37
129642-12550	5	19
129647-66120	16	1
129655-44740	10	22
129688-01780	3	8 -1
129795-01780	3	18

Parts No.	Fig. No.	Ref. No.
129795-01800	2	6
129795-01900	18	31
129795-01950	2	16
129795-02412	1	14
129795-11120	4	12
129795-11180	4	13
129795-21661	8	10
129795-49551	10	27
	20	13
129900-07900	4	54
129900-32130	2	9
129900-77400	17	3
129900-77440	17	6
129900-77450	17	7
		11
129900-77460	17	9
129900-77480	17	10
129900-77640	17	19
129906-12520	5	15
129916-49740	10	13
129916-59020	12	130
129930-13201	6	7
		8
	20	27
129946-07000	11	51
129972-77341	18	34
158552-51151	7	16
158552-51570	12	79
		80
158552-51580	12	83
158552-51600	12	93
158552-51670	12	4
158552-51780	12	31
158552-52100	12	105
158552-52310	12	107
158552-52400	12	119
158552-52500	12	106
158552-61061	13	97
158552-61441	13	23
158552-61900	13	82
158553-51551	12	76
158553-51630	12	94
158553-51640	12	96
158553-51660	12	98
158553-51670	12	88
158553-51680	12	99
158553-51770	12	123
158553-61050	13	2
158553-61070	13	3
158557-51570	12	81

Parts No. Index

Parts No.	Fig. No.	Ref. No.
158563-51281	12	62
		63
158563-51330	12	72
158600-51270	12	61
158601-51550	12	77
158601-51570	12	82
158601-51650	12	97
158601-51770	12	30
158601-51790	12	32
170004-49160	11	38
170064-67210	16	22
170121-91101	19	6
171008-03990	9	25
171008-77450	17	8
171008-77510	17	13
171008-77540	17	15
171008-77650	17	20
171008-77660	17	24
171008-77670	17	25
171008-77750	17	31
171048-67010	16	7
171048-67130	16	16
171048-67140	16	17
171051-01921	1	6
171056-49120	9	35
171080-91101	19	12
171085-67100	16	13
171085-67110	16	14
171085-67120	16	15
171102-66080	16	8
171340-77520	5	11
		21
22117-060000	16	23
22137-100000	16	24
22190-080002	9	17
		18
		20
22190-100002	9	19
		26
22190-120000	13	63
22190-120002	12	33
		108
		109
22190-180002	12	34
		110
22190-220002	3	11
		20
		24
22217-100000	16	25
22217-140000	7	17
		12
		111

Parts No.	Fig. No.	Ref. No.
22252-000260	8	24
22272-000050	16	26
22276-000060	11	2 -1C
22312-050140	12	112
22351-020006	16	18
22351-030010	8	8
22351-050010	12	113
22351-060012	4	22
22411-200150	16	19
22512-070140	7	8
	8	6
22857-500100	4	48
		49
23000-070000	5	22
23000-080000	5	23
23010-038000	11	40
23010-044000	11	41
23061-070230	11	28
23080-015000	9	27
		31
23080-018000	9	32
23297-120081	11	42
23414-080000	10	29
	20	29
23857-030000	9	16
23857-060000	12	116
23876-010000	10	11
23876-020000	10	12
23876-030000	2	4
23876-040000	2	5
23887-120002	12	35
	13	65
	8	42
24104-062054	12	118
24311-000070	4	53
24311-000120	20	18
	15	15
24311-000160	2	23
24311-000320	4	51
	20	19
	15	14
24321-000650	15	14 -1
24321-000750	7	20
24321-000800	20	30
	2	29
24341-000240	19	27
	20	20
	12	120
24356-010180	12	91
24356-010200	12	91
		121

Parts No.	Fig. No.	Ref. No.
24372-000150	12	92
25152-003600	10	21 -1
26013-080222	5	24
		25
26014-060122	11	10
26106-060102	12	122
	13	53
		67
	16	27
	19	19
26106-060142	13	83
		84
26106-060162	2	30
	11	18
		43
26106-060202	13	85
26106-060302	10	39
26106-060322	17	29
26106-060402	6	15
	17	30
26106-080122	10	23
26106-080142	7	15
26106-080162	2	24
		25
		34
	3	12
	4	55
	10	18
	11	19
		44
		44 -1
		44 -2
	12	132
	16	29
26106-080202	5	6
	9	11
	11	45
		45 -1
	12	133
26106-080222	8	43
	10	28
26106-080252	3	13
	4	36
	6	21
	7	21
	11	46
	15	3
26106-080302	3	20
26106-080352	4	24
	9	5

Parts No.	Fig. No.	Ref. No.
26106-080352	11	20
26106-080402	5	12
		26
	7	23
26106-080452	3	14
		14 -1
	10	40
26106-080502	3	23
	4	37
26106-080552	2	26
	9	5 -1
26106-080602	10	19
26106-080802	5	7
		13
		27
26106-100202	11	21
		50
26106-100302	7	22
	11	23
26116-060082	16	20
26116-120252	17	32
26206-100252	3	5
26206-100302	3	21
26226-080182	4	35
26306-080002	2	27
	6	6
		19
		20
26306-100002	18	32
26347-040002	6	16
26347-060002	6	17
26366-060002	9	20
26366-080002	11	22
26366-100002	11	47
26450-080452	12	127
26557-040352	6	18
26657-100002	16	28
26756-050002	16	2
26756-060002	13	68
26776-140002	7	18
	12	128
26921-050122	16	21
27241-120000	1	12
27241-300000	1	13
27241-400000	4	9
27310-080001	4	14
729005-01500	2	1
729402-14580	7	3
729402-23100	8	25
729601-92990	20	1

Parts No. Index

Parts No.	Fig. No.	Ref. No.
729602-01560	1	1
729602-51310	12	1
729602-53101	14	1
933110-00100	19	20
		34
933110-00301	19	22
		36
977770-1207F	2	31
	3	22
	4	56
	20	33
X2114255110	17	5
X2114555500	17	21
X2114955020	17	22
X2130350900	17	4
X2240410100	17	23
X9490561001	18	3

Parts No.	Fig. No.	Ref. No.
-----------	----------	----------

Parts No.	Fig. No.	Ref. No.
-----------	----------	----------

Parts No.	Fig. No.	Ref. No.
-----------	----------	----------