

0CD50-M03550EN

# P R E F A C E

This parts catalog is the 1st edition of 4TNV88-GGEGV for Genmark.

Published : January, 2018

## Contents

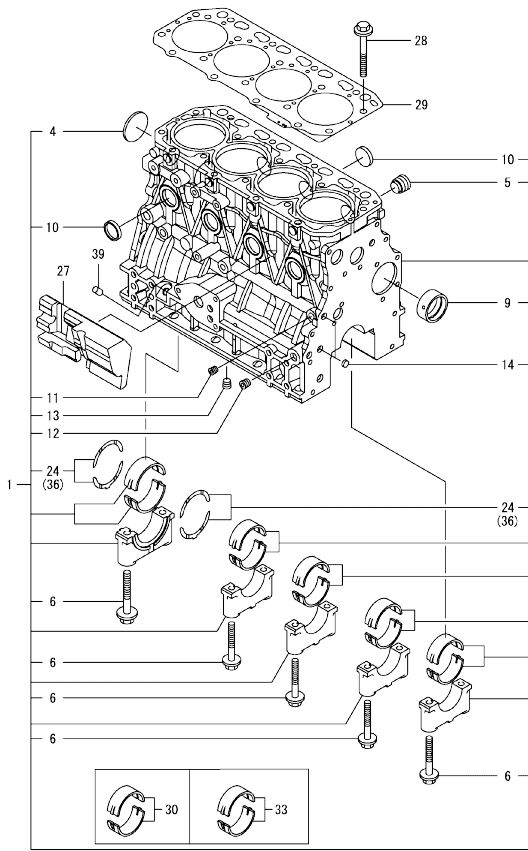
OCD50-M03550

| Fig. No. | Fig. Name                      | Fig. No. | Fig. Name |
|----------|--------------------------------|----------|-----------|
| ENGINE   |                                |          |           |
| 1.       | CYLINDER BLOCK                 |          |           |
| 2.       | GEAR HOUSING                   |          |           |
| 3.       | FLYWHEEL HOUSING & OIL SUMP    |          |           |
| 4.       | CYLINDER HEAD & BONNET         |          |           |
| 5.       | SUCTION MANIFOLD & AIR CLEANER |          |           |
| 6.       | EXHAUST MANIFOLD               |          |           |
| 7.       | CAMSHAFT & DRIVING GEAR        |          |           |
| 8.       | CRANKSHAFT & PISTON            |          |           |
| 9.       | LUB. OIL SYSTEM                |          |           |
| 10.      | COOLING WATER SYSTEM           |          |           |
| 11.      | FUEL INJECTION PUMP            |          |           |
| 12.      | GOVERNOR                       |          |           |
| 13.      | FUEL INJECTION VALVE           |          |           |
| 14.      | FUEL FILTER                    |          |           |
| 15.      | STARTER MOTOR                  |          |           |
| 16.      | GENERATOR                      |          |           |
| 17.      | ACCESSORY                      |          |           |

Fig.1. CYLINDER BLOCK

(A)=4TNV88-GGEGV  
(B)=  
(C)=

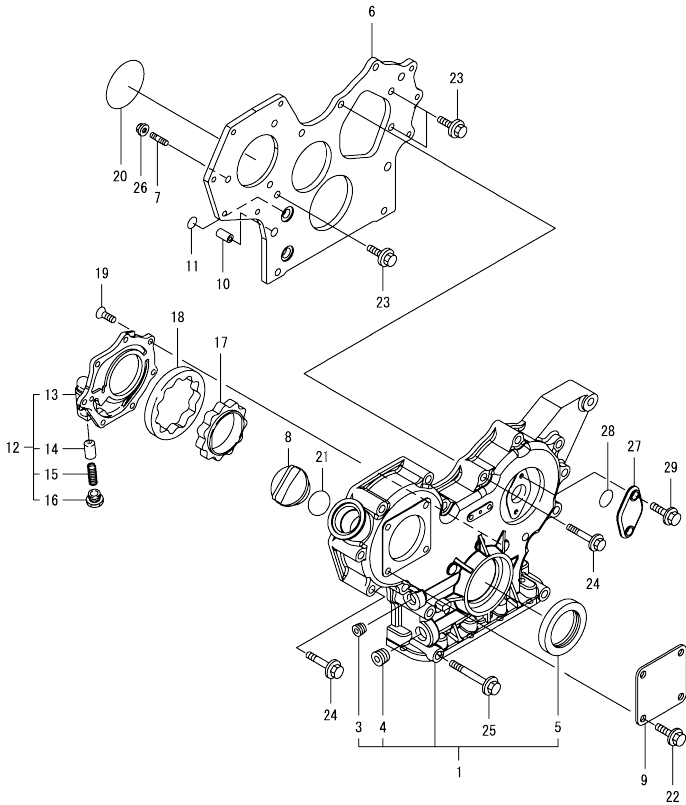
(D)=  
(E)=  
(F)=



| No. | Lev. | Parts No.    | Description          | Q'ty |     |     |     |     |     | I | R |
|-----|------|--------------|----------------------|------|-----|-----|-----|-----|-----|---|---|
|     |      |              |                      | (A)  | (B) | (C) | (D) | (E) | (F) |   |   |
| 1   | 1    | 729602-01560 | BLOCK ASSY, CYLINDER | 1    |     |     |     |     |     |   |   |
| 4   | 2    | 129001-01250 | PLUG, 50             | 1    |     |     |     |     |     |   |   |
| 5   | 2    | 171051-01921 | PLUG, NPTF1          | 1    |     |     |     |     |     |   |   |
| 6   | 2    | 129150-02020 | BOLT, METAL CAP      | 10   |     |     |     |     |     |   |   |
| 9   | 2    | 129795-02412 | BUSH, CAMSHAFT       | 1    |     |     |     |     |     |   |   |
| 10  | 2    | 27241-300000 | PLUG 30              | 8    |     |     |     |     |     |   |   |
| 11  | 2    | 124060-01050 | PLUG, PT1/8          | 1    |     |     |     |     |     |   |   |
| 12  | 2    | 124160-01910 | PLUG, PT1/4          | 2    |     |     |     |     |     |   |   |
| 13  | 2    | 124160-01910 | PLUG, PT1/4          | 1    |     |     |     |     |     |   |   |
| 14  | 2    | 27241-120000 | PLUG, 12             | 2    |     |     |     |     |     |   |   |
| 24  | 2    | 129150-02931 | METAL ASSY, THRUST   | 2    |     |     |     |     |     |   |   |
| 27  | 1    | 129004-01190 | SPACER               | 1    |     |     |     |     |     |   |   |
| 28  | 1    | 129150-01200 | BOLT, CYLINDER HEAD  | 18   |     |     |     |     |     |   |   |
| 29  | 1    | 129407-01340 | GASKET, HEAD         | 1    |     |     |     |     |     |   |   |
| 30  | 1    | 129001-02931 | METAL ASSY, MAIN     | 5    |     |     |     |     |     |   | 1 |
| 33  | 1    | 129150-02871 | METAL ASSY, MAIN .25 | 5    |     |     |     |     |     |   | 2 |
| 36  | 1    | 129150-02941 | METAL ASSY, 0.25 OS  | 1    |     |     |     |     |     |   | 3 |
| 39  | 1    | 119309-01810 | PLUG                 | 1    |     |     |     |     |     |   |   |

Remarks  
(1) Spare parts.  
(2) Over-sized (O.S.=0.25) parts.  
(3) Under-sized (U.S.=0.25) parts.

Fig.2. GEAR HOUSING



(A)=4TNV88-GGEGV  
(B)=  
(C)=

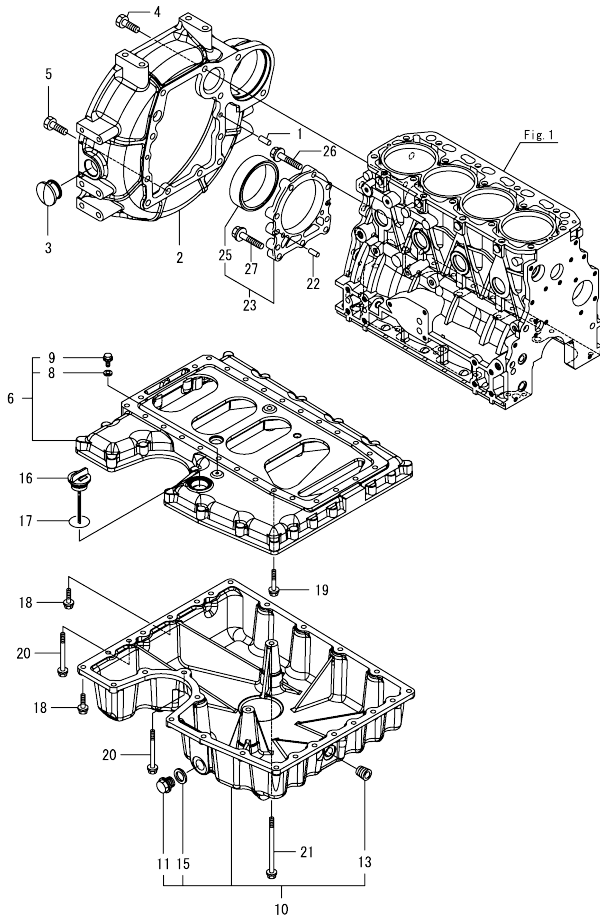
(D)=  
(E)=  
(F)=

| No. | Lev. | Parts No.    | Description           | Qty |     |     |     |     |     | I | R |
|-----|------|--------------|-----------------------|-----|-----|-----|-----|-----|-----|---|---|
|     |      |              |                       | (A) | (B) | (C) | (D) | (E) | (F) |   |   |
| 1   | 1    | 719802-01500 | CASE ASSY, GEAR       | 1   |     |     |     |     |     |   |   |
| 3   | 2    | 23876-030000 | PLUG, R03             | 1   |     |     |     |     |     |   |   |
| 4   | 2    | 23876-040000 | PLUG, R04             | 1   |     |     |     |     |     |   |   |
| 5   | 2    | 119934-01800 | SEAL, OIL             | 1   |     |     |     |     |     |   |   |
| 6   | 1    | 119802-01520 | FLANGE, GEAR CASE     | 1   |     |     |     |     |     |   |   |
| 7   | 1    | 119802-01561 | STUD, M8X25           | 3   |     |     |     |     |     |   |   |
| 8   | 1    | 124160-01751 | CAP, FILLER           | 1   |     |     |     |     |     |   |   |
| 9   | 1    | 124240-01871 | COVER, HYDRAULIC PUMP | 1   |     |     |     |     |     |   |   |
| 10  | 1    | 129795-01950 | PIPE, KNOCK L=18      | 2   |     |     |     |     |     |   |   |
| 11  | 1    | 119609-32040 | O-RING, P16           | 4   |     |     |     |     |     |   |   |
| 12  | 1    | 119802-32100 | COVER ASSY, PUMP      | 1   |     |     |     |     |     |   |   |
| 13  | 2    | 119802-32070 | COVER, OIL PUMP       | 1   |     |     |     |     |     |   |   |
| 14  | 2    | 129900-32130 | VALVE, RELIEF         | 1   |     |     |     |     |     |   |   |
| 15  | 2    | 129418-32320 | SPRING                | 1   |     |     |     |     |     |   |   |
| 16  | 2    | 129001-32330 | PLUG                  | 1   |     |     |     |     |     |   |   |
| 17  | 1    | 119802-32111 | ROTOR, INNER          | 1   |     |     |     |     |     |   |   |
| 18  | 1    | 119802-32120 | ROTOR, OUTER          | 1   |     |     |     |     |     |   |   |
| 19  | 1    | 119802-32130 | SCREW, M6X16          | 7   |     |     |     |     |     |   |   |
| 20  | 1    | 121850-51960 | O-RING, FUEL PUMP     | 1   |     |     |     |     |     |   |   |
| 21  | 1    | 24311-000320 | O-RING, 1AP32.0       | 1   |     |     |     |     |     |   |   |
| 22  | 1    | 26106-080162 | BOLT, M8X 16 PLATED   | 4   |     |     |     |     |     |   |   |
| 23  | 1    | 26106-080162 | BOLT, M8X 16 PLATED   | 3   |     |     |     |     |     |   |   |
| 24  | 1    | 26106-080552 | BOLT, M8X 55 PLATED   | 12  |     |     |     |     |     |   |   |
| 25  | 1    | 26106-080852 | BOLT, M8X 85 PLATED   | 3   |     |     |     |     |     |   |   |
| 26  | 1    | 26306-080002 | NUT, M8               | 3   |     |     |     |     |     |   |   |
| 27  | 1    | 121023-01551 | COVER, TACHOMETER     | 1   |     |     |     |     |     |   |   |
| 28  | 1    | 24341-000240 | O-RING, 1AS24.0       | 1   |     |     |     |     |     |   |   |
| 29  | 1    | 26106-060162 | BOLT, M6X 16 PLATED   | 2   |     |     |     |     |     |   |   |

Fig.3. FLYWHEEL HOUSING & OIL SUMP

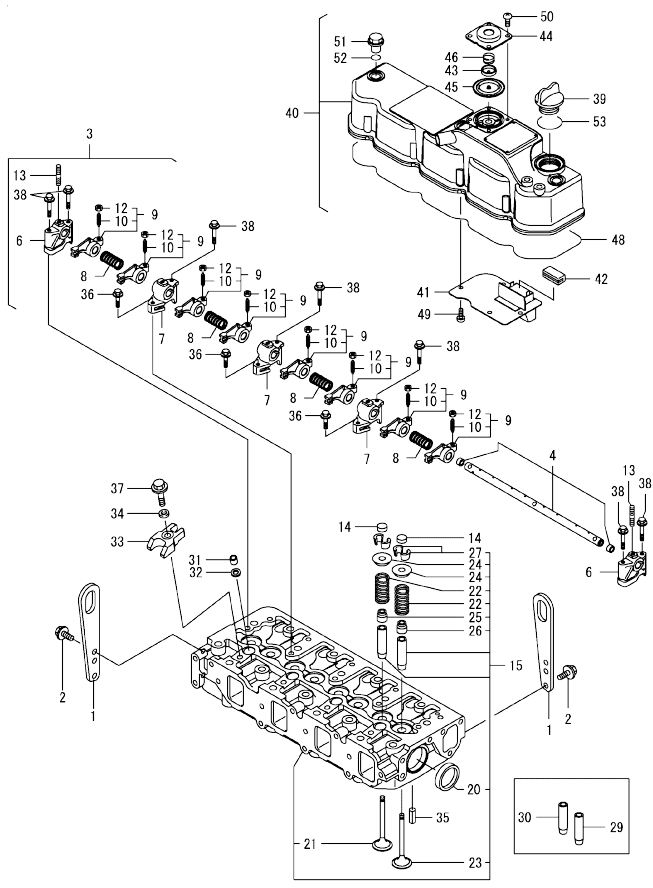
(A)=4TNV88-GGEGV  
(B)=  
(C)=

(D)=  
(E)=  
(F)=



| No. | Lev. | Parts No.    | Description          | Q'ty |     |     |     |     |     | I | R |
|-----|------|--------------|----------------------|------|-----|-----|-----|-----|-----|---|---|
|     |      |              |                      | (A)  | (B) | (C) | (D) | (E) | (F) |   |   |
| 1   | 1    | 129100-01580 | PIN, PARALLEL 8X16   | 2    |     |     |     |     |     |   |   |
| 2   | 1    | 171420-01600 | HOUSING, FLYWHEEL    | 1    |     |     |     |     |     |   |   |
| 3   | 1    | 119620-01750 | CAP, WHEEL COVER     | 1    |     |     |     |     |     |   |   |
| 4   | 1    | 26206-100252 | BOLT, M10X 25 PLATED | 6    |     |     |     |     |     |   |   |
| 5   | 1    | 26206-100302 | BOLT, M10X 30 PLATED | 4    |     |     |     |     |     |   |   |
| 6   | 1    | 129647-01750 | SPACER, OIL-PAN      | 1    |     |     |     |     |     |   |   |
| 8   | 2    | 23414-060000 | GASKET, 6X1.0        | 1    |     |     |     |     |     |   |   |
| 9   | 2    | 26106-060102 | BOLT, M6X 10 PLATED  | 1    |     |     |     |     |     |   |   |
| 10  | 1    | 129647-01760 | OIL PAN ASSY, DEEP   | 1    |     |     |     |     |     |   |   |
| 11  | 2    | 119640-01640 | PLUG, DRAIN M22      | 1    |     |     |     |     |     |   |   |
| 13  | 2    | 124085-01771 | PLUG, NPT1/2         | 1    |     |     |     |     |     |   |   |
| 15  | 2    | 22190-220002 | WASHER, SEAL 22      | 1    |     |     |     |     |     |   |   |
| 16  | 1    | 129636-01791 | COVER, OIL FILLER    | 1    |     |     |     |     |     |   |   |
| 17  | 1    | 129486-01830 | O-RING, P32          | 1    |     |     |     |     |     |   |   |
| 18  | 1    | 26106-080252 | BOLT, M8X 25 PLATED  | 22   |     |     |     |     |     |   |   |
| 19  | 1    | 26106-080452 | BOLT, M8X 45 PLATED  | 21   |     |     |     |     |     |   |   |
| 20  | 1    | 26106-080902 | BOLT, M8X 90 PLATED  | 6    |     |     |     |     |     |   |   |
| 21  | 1    | 26106-081202 | BOLT, M8X120 PLATED  | 1    |     |     |     |     |     |   |   |
| 22  | 1    | 129100-01580 | PIN, PARALLEL 8X16   | 2    |     |     |     |     |     |   |   |
| 23  | 1    | 129648-01600 | CASE ASSY, OIL SEAL  | 1    |     |     |     |     |     |   |   |
| 25  | 2    | 129648-01780 | SEAL, OIL            | 1    |     |     |     |     |     |   |   |
| 26  | 1    | 129486-01670 | BOLT, M8X30          | 6    |     |     |     |     |     |   |   |
| 27  | 1    | 26106-080352 | BOLT, M8X 35 PLATED  | 3    |     |     |     |     |     |   |   |

Fig.4. CYLINDER HEAD & BONNET



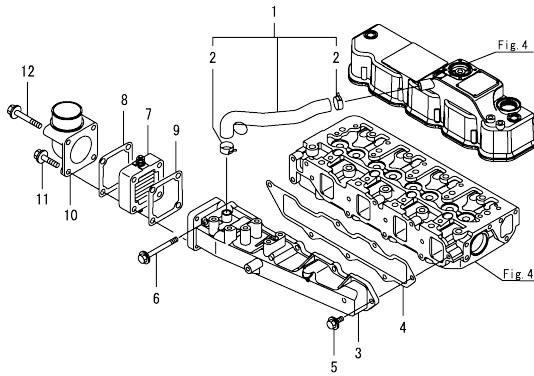
(A)=4TNV88-GGEGV  
(B)=  
(C)=

(D)=  
(E)=  
(F)=

| No. | Lev. | Parts No.    | Description         | Q'ty |     |     |     |     |     | I | R |
|-----|------|--------------|---------------------|------|-----|-----|-----|-----|-----|---|---|
|     |      |              |                     | (A)  | (B) | (C) | (D) | (E) | (F) |   |   |
| 1   | 1    | 129900-07900 | LIFTER, ENGINE      | 2    |     |     |     |     |     |   |   |
| 2   | 1    | 26106-080162 | BOLT, M8X 16 PLATED | 4    |     |     |     |     |     |   |   |
| 3   | 1    | 129601-11241 | SHAFT ASSY, ROCKER  | 1    |     |     |     |     |     |   |   |
| 4   | 2    | 129601-11251 | SHAFT, ROCKER ARM   | 1    |     |     |     |     |     |   |   |
| 6   | 2    | 119802-11260 | SUPPORT, ROCKER ARM | 2    |     |     |     |     |     |   |   |
| 7   | 2    | 119802-11270 | SUPPORT, ROCKER ARM | 3    |     |     |     |     |     |   |   |
| 8   | 2    | 129150-11280 | SPRING, SHAFT       | 4    |     |     |     |     |     |   |   |
| 9   | 2    | 129004-11650 | ARM ASSY, ROCKER    | 8    |     |     |     |     |     |   |   |
| 10  | 3    | 129150-11230 | SCREW, VALVE ADJUST | 8    |     |     |     |     |     |   |   |
| 12  | 3    | 129150-11750 | NUT, M8XP1.0        | 8    |     |     |     |     |     |   |   |
| 13  | 2    | 26226-080182 | STUD, M8X 18        | 3    |     |     |     |     |     |   |   |
| 14  | 1    | 129150-11370 | CAP, VALVE          | 8    |     |     |     |     |     |   |   |
| 15  | 1    | 129601-11700 | HEAD ASSY, CYLINDER | 1    |     |     |     |     |     |   |   |
| 20  | 2    | 27241-400000 | PLUG, 40            | 2    |     |     |     |     |     |   |   |
| 21  | 2    | 129100-11112 | VALVE, EXHAUST      | 4    |     |     |     |     |     |   |   |
| 22  | 2    | 129795-11120 | SPRING, VALVE       | 8    |     |     |     |     |     |   |   |
| 23  | 2    | 129004-11130 | VALVE, INTAKE       | 4    |     |     |     |     |     |   |   |
| 24  | 2    | 129795-11180 | RETAINER, SPRING    | 8    |     |     |     |     |     |   |   |
| 25  | 2    | 121400-11340 | SEAL, VALVE STEM    | 4    |     |     |     |     |     |   |   |
| 26  | 2    | 124460-11340 | SEAL, VALVE STEM    | 4    |     |     |     |     |     |   |   |
| 27  | 2    | 27310-080001 | COTTER, 8           | 8    |     |     |     |     |     |   |   |
| 29  | 1    | 120130-11860 | GUIDE, VALVE        | 4    |     |     |     |     |     |   | 1 |
| 30  | 1    | 129150-11810 | GUIDE, VALVE        | 4    |     |     |     |     |     |   | 1 |
| 31  | 1    | 119802-11870 | PROTECTOR, NOZZLE   | 4    |     |     |     |     |     |   |   |
| 32  | 1    | 119625-11880 | SEAT, NOZZLE        | 4    |     |     |     |     |     |   |   |
| 33  | 1    | 129004-11900 | RETAINER, NOZZLE    | 4    |     |     |     |     |     |   |   |
| 34  | 1    | 120270-54410 | WASHER, INJECTOR    | 4    |     |     |     |     |     |   |   |
| 35  | 1    | 22351-060012 | PIN, SPRING 6.0X12  | 2    |     |     |     |     |     |   |   |
| 36  | 1    | 26106-080252 | BOLT, M8X 25 PLATED | 3    |     |     |     |     |     |   |   |
| 37  | 1    | 26106-080352 | BOLT, M8X 35 PLATED | 4    |     |     |     |     |     |   |   |
| 38  | 1    | 26106-080502 | BOLT, M8X 50 PLATED | 7    |     |     |     |     |     |   |   |
| 39  | 1    | 124160-01751 | CAP, FILLER         | 1    |     |     |     |     |     |   |   |
| 40  | 1    | 129601-11350 | BONNET ASSY, HEAD   | 1    |     |     |     |     |     |   |   |
| 41  | 2    | 129004-03010 | PLATE, BAFFLE       | 1    |     |     |     |     |     |   |   |
| 42  | 2    | 129150-03070 | BAFFLE, BREATHER    | 1    |     |     |     |     |     |   |   |
| 43  | 2    | 119802-03110 | PLATE, DIAPHRAGM    | 1    |     |     |     |     |     |   |   |
| 44  | 2    | 119802-03121 | COVER, DIAPHRAGM    | 1    |     |     |     |     |     |   |   |
| 45  | 2    | 119802-03130 | DIAPHRAGM, BREATHER | 1    |     |     |     |     |     |   |   |
| 46  | 2    | 119802-03141 | SPRING, DIAPHRAGM   | 1    |     |     |     |     |     |   |   |
| 48  | 2    | 129601-11310 | GASKET, BONNET      | 1    |     |     |     |     |     |   |   |
| 49  | 2    | 22857-500100 | SCREW, 5X10         | 4    |     |     |     |     |     |   |   |
| 50  | 2    | 22857-500100 | SCREW, 5X10         | 4    |     |     |     |     |     |   |   |
| 51  | 1    | 124160-11360 | KNOB, BONNET        | 3    |     |     |     |     |     |   |   |
| 52  | 1    | 24311-000120 | O-RING, 1AP12.0     | 3    |     |     |     |     |     |   |   |
| 53  | 1    | 24311-000320 | O-RING, 1AP32.0     | 1    |     |     |     |     |     |   |   |

Remarks  
(1)Spare parts.

Fig.5. SUCTION MANIFOLD & AIR CLEANER



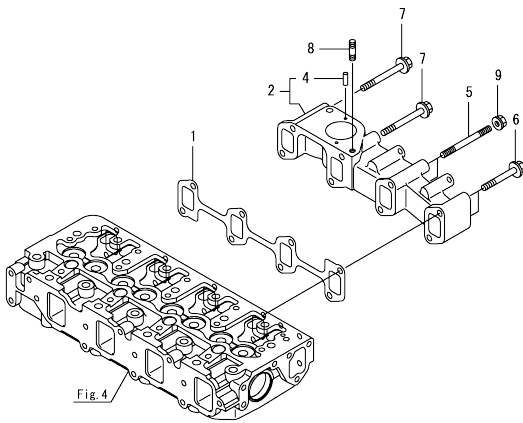
(A)=4TNV88-GGEGV  
(B)=  
(C)=

(D)=  
(E)=  
(F)=

| No. | Lev. | Parts No.    | Description         | Q'ty |     |     |     |     |     |
|-----|------|--------------|---------------------|------|-----|-----|-----|-----|-----|
|     |      |              |                     | (A)  | (B) | (C) | (D) | (E) | (F) |
| 1   | 1    | 129601-03080 | HOSE ASSY, BREATHER | 1    |     |     |     |     |     |
| 2   | 2    | 129410-03990 | CLAMP, HOSE 21.5    | 2    |     |     |     |     |     |
| 3   | 1    | 129601-12100 | MANIFOLD, INTAKE    | 1    |     |     |     |     |     |
| 4   | 1    | 129407-12110 | GASKET, MANIFOLD    | 1    |     |     |     |     |     |
| 5   | 1    | 26106-080202 | BOLT, M8X 20 PLATED | 6    |     |     |     |     |     |
| 6   | 1    | 26106-080802 | BOLT, M8X 80 PLATED | 1    |     |     |     |     |     |
| 7   | 1    | 129100-77501 | HEATER, AIR 11V     | 1    |     |     |     |     |     |
| 8   | 1    | 129100-77510 | GASKET, AIR HEATER  | 1    |     |     |     |     |     |
| 9   | 1    | 129150-77511 | GASKET, AIR HEATER  | 1    |     |     |     |     |     |
| 10  | 1    | 171340-77520 | BEND, AIR HEATER    | 1    |     |     |     |     |     |
| 11  | 1    | 26106-080402 | BOLT, M8X 40 PLATED | 2    |     |     |     |     |     |
| 12  | 1    | 26106-080802 | BOLT, M8X 80 PLATED | 2    |     |     |     |     |     |



Fig.6. EXHAUST MANIFOLD

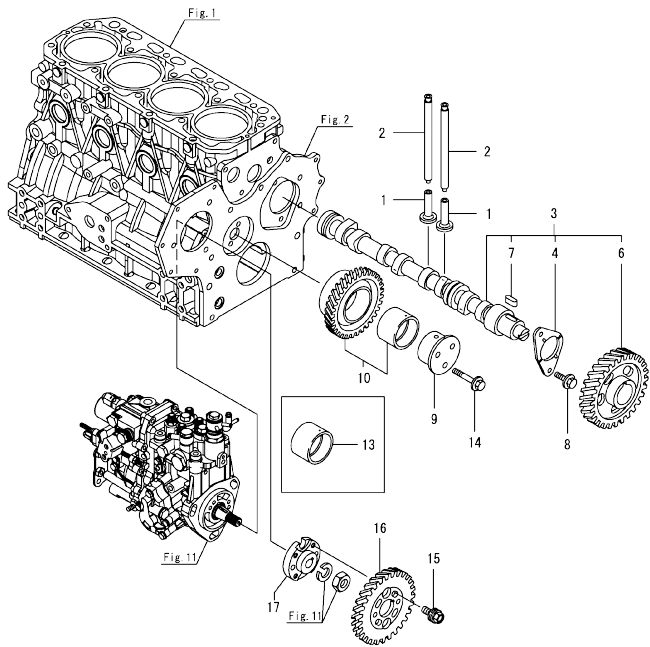


(A)=4TNV88-GGEGV  
(B)=  
(C)=

(D)=  
(E)=  
(F)=

| No. | Lev. | Parts No.    | Description        | Q'ty |     |     |     |     |     |
|-----|------|--------------|--------------------|------|-----|-----|-----|-----|-----|
|     |      |              |                    | (A)  | (B) | (C) | (D) | (E) | (F) |
| 1   | 1    | 129550-13110 | GASKET, MANIFOLD   | 1    |     |     |     |     |     |
| 2   | 1    | 129659-13130 | MANIFOLD ASSY      | 1    |     |     |     |     |     |
| 4   | 2    | 22351-040012 | PIN, SPRING 4.0X12 | 2    |     |     |     |     |     |
| 5   | 1    | 129263-13210 | STUD, M8X90        | 2    |     |     |     |     |     |
| 6   | 1    | 119802-13641 | BOLT, M8X60 10.9T  | 2    |     |     |     |     |     |
| 7   | 1    | 119802-13661 | BOLT, M8X75 10.9T  | 4    |     |     |     |     |     |
| 8   | 1    | 119131-18320 | STUD, M8X22        | 1    |     |     |     |     |     |
| 9   | 1    | 26306-080002 | NUT, M8            | 2    |     |     |     |     |     |

Fig.7. CAMSHAFT & DRIVING GEAR



(A)=4TNV88-GGEGV  
(B)=  
(C)=

(D)=  
(E)=  
(F)=

| No. | Lev. | Parts No.    | Description          | Q'ty |     |     |     |     |     | I | R |
|-----|------|--------------|----------------------|------|-----|-----|-----|-----|-----|---|---|
|     |      |              |                      | (A)  | (B) | (C) | (D) | (E) | (F) |   |   |
| 1   | 1    | 129150-14200 | TAPPET               | 8    |     |     |     |     |     |   |   |
| 2   | 1    | 129150-14400 | ROD, PUSH L=178      | 8    |     |     |     |     |     |   |   |
| 3   | 1    | 729601-14580 | CAMSHAFT ASSY        | 1    |     |     |     |     |     |   |   |
| 4   | 2    | 129150-02450 | METAL, THRUST        | 1    |     |     |     |     |     |   |   |
| 6   | 2    | 129150-14101 | GEAR, CAMSHAFT       | 1    |     |     |     |     |     |   |   |
| 7   | 2    | 22512-070140 | KEY, 7X 14           | 1    |     |     |     |     |     |   |   |
| 8   | 1    | 26106-080142 | BOLT, M8X 14 PLATED  | 2    |     |     |     |     |     |   |   |
| 9   | 1    | 119802-25051 | SHAFT, IDLE GEAR     | 1    |     |     |     |     |     |   |   |
| 10  | 1    | 119802-25101 | GEAR ASSY, IDLE      | 1    |     |     |     |     |     |   |   |
| 13  | 1    | 119802-25071 | BUSH, IDLE GEAR      | 1    |     |     |     |     |     |   | 1 |
| 14  | 1    | 26106-080402 | BOLT, M8X 40 PLATED  | 3    |     |     |     |     |     |   |   |
| 15  | 1    | 129150-25301 | BOLT, INJECTION PUMP | 4    |     |     |     |     |     |   |   |
| 16  | 1    | 119802-25901 | GEAR, PUMP           | 1    |     |     |     |     |     |   |   |
| 17  | 1    | 158552-51151 | FLANGE, CAMSHAFT     | 1    |     |     |     |     |     |   |   |

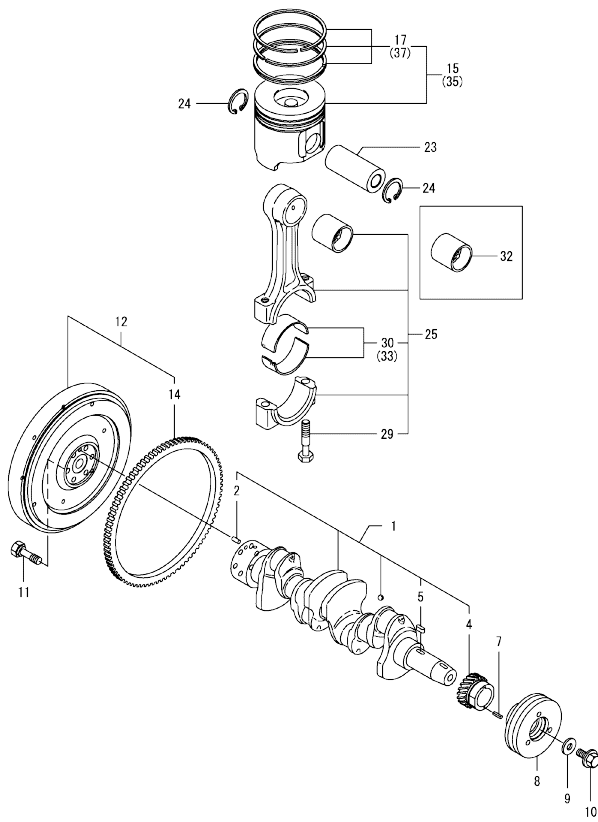
Remarks

(1)Spare parts.

Fig.8. CRANKSHAFT & PISTON

(A)=4TNV88-GGEGV  
(B)=  
(C)=

(D)=  
(E)=  
(F)=



| No. | Lev. | Parts No.    | Description           | Q'ty |     |     |     |     |     | I | R |
|-----|------|--------------|-----------------------|------|-----|-----|-----|-----|-----|---|---|
|     |      |              |                       | (A)  | (B) | (C) | (D) | (E) | (F) |   |   |
| 1   | 1    | 129601-21002 | CRANKSHAFT ASSY       | 1    |     |     |     |     |     |   |   |
| 2   | 2    | 129100-01580 | PIN, PARALLEL 8X16    | 1    |     |     |     |     |     |   |   |
| 4   | 2    | 119802-21202 | GEAR, CRANKSHAFT      | 1    |     |     |     |     |     |   |   |
| 5   | 2    | 22512-070140 | KEY, 7X 14            | 1    |     |     |     |     |     |   |   |
| 7   | 1    | 22351-030010 | PIN, SPRING 3.0X10    | 1    |     |     |     |     |     |   |   |
| 8   | 1    | 119802-21660 | V-PULLEY, CRANKSHAFT  | 1    |     |     |     |     |     |   |   |
| 9   | 1    | 129795-21661 | WASHER, 14            | 1    |     |     |     |     |     |   |   |
| 10  | 1    | 121850-21680 | BOLT, V-PULLEY        | 1    |     |     |     |     |     |   |   |
| 11  | 1    | 121111-21501 | BOLT, FLYWHEEL        | 6    |     |     |     |     |     |   |   |
| 12  | 1    | 171420-21590 | FLYWHEEL ASSY         | 1    |     |     |     |     |     |   |   |
| 14  | 2    | 124550-21600 | GEAR, RING Z=127      | 1    |     |     |     |     |     |   |   |
| 15  | 1    | 129005-22080 | PISTON ASSY           | 4    |     |     |     |     |     |   |   |
| 17  | 2    | 129005-22500 | RING SET, PISTON      | 4    |     |     |     |     |     |   |   |
| 23  | 1    | 129202-22300 | PIN, PISTON D26 L70   | 4    |     |     |     |     |     |   |   |
| 24  | 1    | 22252-000260 | RING, 26              | 8    |     |     |     |     |     |   |   |
| 25  | 1    | 729402-23100 | ROD ASSY, CONNECTING  | 4    |     |     |     |     |     |   |   |
| 29  | 2    | 121550-23200 | BOLT, CONNECTING ROD  | 8    |     |     |     |     |     |   |   |
| 30  | 2    | 129150-23601 | METAL ASSY, CRANK PIN | 4    |     |     |     |     |     |   |   |
| 32  | 1    | 129100-23910 | METAL, PISTON PIN     | 4    |     |     |     |     |     |   | 1 |
| 33  | 1    | 129150-23611 | METAL, CRANK PIN .25  | 4    |     |     |     |     |     |   | 2 |
| 35  | 1    | 129005-22900 | PISTON ASSY, 0.25 OS  | 4    |     |     |     |     |     |   | 3 |
| 37  | 2    | 129005-22950 | RING SET, PISTON .25  | 4    |     |     |     |     |     |   | 3 |

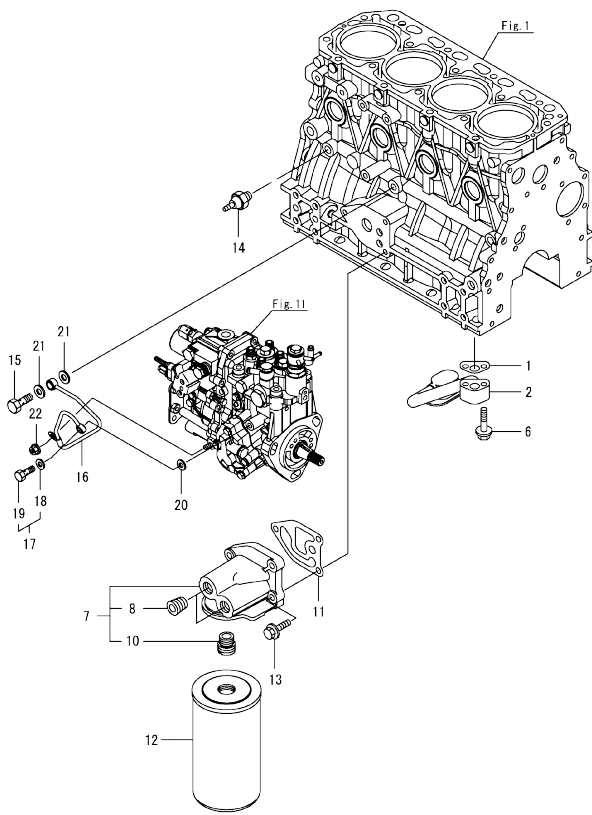
Remarks  
(1) Spare parts.  
(2) Over-sized (O.S.=0.25) parts.  
(3) Under-sized (U.S.=0.25) parts.

Fig.9. LUB. OIL SYSTEM

(A)=4TNV88-GGEGV  
(B)=  
(C)=

(D)=  
(E)=  
(F)=

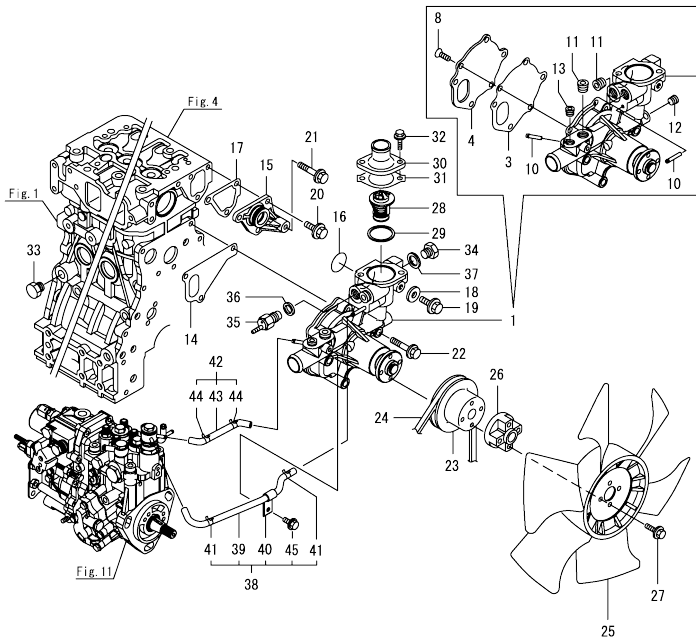
| No.          | Lev. | Parts No.    | Description          | Q'ty |     |     |     |     |     | I | R |
|--------------|------|--------------|----------------------|------|-----|-----|-----|-----|-----|---|---|
|              |      |              |                      | (A)  | (B) | (C) | (D) | (E) | (F) |   |   |
| 1            | 1    | 129150-35042 | GASKET, INLET PIPE   | 1    |     |     |     |     |     |   |   |
| 2            | 1    | 129630-35300 | PIPE ASSY, OIL INLET | 1    |     |     |     |     |     |   |   |
| 6            | 1    | 26106-080352 | BOLT, M8X 35 PLATED  | 2    |     |     |     |     |     |   |   |
| 7            | 1    | 129636-35100 | BRACKET ASSY, FILTER | 1    |     |     |     |     |     |   |   |
| 8            | 2    | 129033-01770 | PLUG, SCREW NPT1/2   | 2    |     |     |     |     |     |   |   |
| 10           | 2    | 129636-35200 | BOLT, FILTER         | 1    |     |     |     |     |     |   |   |
| 11           | 1    | 129103-35122 | GASKET, BRACKET      | 1    |     |     |     |     |     |   |   |
| 12           | 1    | 127695-35150 | FILTER, OIL          | 1    |     |     |     |     |     |   |   |
| 13           | 1    | 26106-080252 | BOLT, M8X 25 PLATED  | 3    |     |     |     |     |     |   |   |
| 14           | 1    | 114250-39450 | SWITCH, HYDRAULIC    | 1    |     |     |     |     |     |   |   |
| 14-1         | 1    | 121252-39450 | SWITCH, HYDRAULIC    | 1    |     |     |     |     |     |   | N |
| (A=2018.05.) |      |              |                      |      |     |     |     |     |     |   |   |
| 15           | 1    | 124160-39140 | BOLT, PIPE JOINT M10 | 1    |     |     |     |     |     |   |   |
| 16           | 1    | 119802-39450 | PIPE ASSY, OIL       | 1    |     |     |     |     |     |   |   |
| 17           | 1    | 129005-59830 | BOLT ASSY, JOINT M8  | 1    |     |     |     |     |     |   |   |
| 18           | 2    | 22190-080002 | WASHER, SEAL 8       | 1    |     |     |     |     |     |   |   |
| 19           | 2    | 23857-030000 | BOLT, JOINT 3        | 1    |     |     |     |     |     |   |   |
| 20           | 1    | 22190-080002 | WASHER, SEAL 8       | 1    |     |     |     |     |     |   |   |
| 21           | 1    | 22190-100002 | WASHER, SEAL 10      | 2    |     |     |     |     |     |   |   |
| 22           | 1    | 26366-060002 | NUT, M6              | 1    |     |     |     |     |     |   |   |



Remarks  
(1)Spare parts.

N:Old  $\frac{100}{100}$  New, Q:Old  $\frac{100}{100}$  New, R:Old  $\frac{100}{100}$  New, S:Old  $\frac{100}{100}$  New, W:Add, Z:Discontinued, F:Interchangeable by set, K:Qty Change  
Copyright (C) 2018 YANMAR CO., LTD. All Rights Reserved.

Fig.10. COOLING WATER SYSTEM



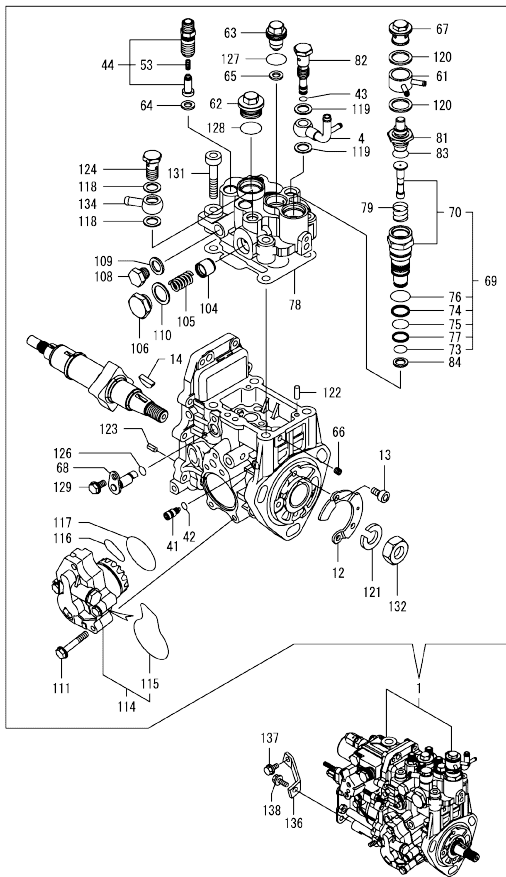
(A)=4TNV88-GGEGV  
(B)=  
(C)=

(D)=  
(E)=  
(F)=

| No. | Lev. | Parts No.    | Description         | Q'ty |     |     |     |     |     | I | R |
|-----|------|--------------|---------------------|------|-----|-----|-----|-----|-----|---|---|
|     |      |              |                     | (A)  | (B) | (C) | (D) | (E) | (F) |   |   |
| 1   | 1    | 129004-42001 | PUMP ASSY, WATER    | 1    |     |     |     |     |     |   |   |
| 3   | 2    | 129100-42051 | GASKET, WATER PUMP  | 1    |     |     |     |     |     |   |   |
| 4   | 2    | 129100-42121 | PLATE, PUMP         | 1    |     |     |     |     |     |   |   |
| 8   | 2    | 26577-060142 | SCREW M 6X 14       | 3    |     |     |     |     |     |   |   |
| 10  | 2    | 119802-49113 | JOINT, PIPE         | 2    |     |     |     |     |     |   |   |
| 11  | 2    | 129916-49740 | PLUG, R3/8          | 2    |     |     |     |     |     |   |   |
| 12  | 2    | 23875-020000 | PLUG, R02           | 1    |     |     |     |     |     |   |   |
| 13  | 2    | 23876-010000 | PLUG, R01           | 1    |     |     |     |     |     |   |   |
| 14  | 1    | 129486-42021 | GASKET, WATER PUMP  | 1    |     |     |     |     |     |   |   |
| 15  | 1    | 129004-42040 | JOINT, WATER PIPE   | 1    |     |     |     |     |     |   |   |
| 16  | 1    | 129486-42140 | O-RING, G30         | 1    |     |     |     |     |     |   |   |
| 17  | 1    | 124395-49840 | GASKET, THERMOSTAT  | 1    |     |     |     |     |     |   |   |
| 18  | 1    | 23414-080000 | GASKET, 8X1.0       | 1    |     |     |     |     |     |   |   |
| 19  | 1    | 26106-080122 | BOLT, M8X 12 PLATED | 1    |     |     |     |     |     |   |   |
| 20  | 1    | 26106-080162 | BOLT, M8X 16 PLATED | 3    |     |     |     |     |     |   |   |
| 21  | 1    | 26106-080452 | BOLT, M8X 45 PLATED | 1    |     |     |     |     |     |   |   |
| 22  | 1    | 26106-080602 | BOLT, M8X 60 PLATED | 3    |     |     |     |     |     |   |   |
| 23  | 1    | 129155-42350 | V-PULLEY, PUMP      | 1    |     |     |     |     |     |   |   |
| 24  | 1    | 129258-42290 | V-BELT, A36.5       | 1    |     |     |     |     |     |   |   |
| 25  | 1    | 129612-44700 | FAN, COOLING        | 1    |     |     |     |     |     |   |   |
| 26  | 1    | 121267-44760 | SPACER, FAN 18MM    | 1    |     |     |     |     |     |   |   |
| 27  | 1    | 26106-060302 | BOLT, M6X 30 PLATED | 4    |     |     |     |     |     |   |   |
| 28  | 1    | 129155-49801 | THERMOSTAT, 71C     | 1    |     |     |     |     |     |   |   |
| 29  | 1    | 129150-49811 | GASKET, THERMOSTAT  | 1    |     |     |     |     |     |   |   |
| 30  | 1    | 129350-49530 | COVER, THERMOSTAT   | 1    |     |     |     |     |     |   |   |
| 31  | 1    | 129795-49551 | GASKET, COVER       | 1    |     |     |     |     |     |   |   |
| 32  | 1    | 26106-080222 | BOLT, M8X 22 PLATED | 2    |     |     |     |     |     |   |   |
| 33  | 1    | 171056-49120 | PLUG, DRAIN R1/4    | 1    |     |     |     |     |     |   |   |
| 34  | 1    | 121450-42450 | PLUG, M16           | 1    |     |     |     |     |     |   |   |
| 35  | 1    | 121250-44901 | SWITCH, TEMPERATURE | 1    |     |     |     |     |     |   |   |
| 36  | 1    | 124465-44950 | GASKET, 16          | 1    |     |     |     |     |     |   |   |
| 37  | 1    | 124465-44950 | GASKET, 16          | 1    |     |     |     |     |     |   |   |
| 38  | 1    | 129004-49610 | HOSE ASSY, WATER A  | 1    |     |     |     |     |     |   |   |
| 39  | 2    | 129004-49711 | HOSE, WATER A       | 1    |     |     |     |     |     |   |   |
| 40  | 2    | 119802-49730 | RETAINER, PIPE      | 1    |     |     |     |     |     |   |   |
| 41  | 2    | 124722-59050 | CLAMP, HOSE 9       | 2    |     |     |     |     |     |   |   |
| 42  | 1    | 129004-49620 | HOSE ASSY, WATER B  | 1    |     |     |     |     |     |   |   |
| 43  | 2    | 129004-49721 | HOSE, WATER B       | 1    |     |     |     |     |     |   |   |
| 44  | 2    | 124722-59050 | CLAMP, HOSE 9       | 2    |     |     |     |     |     |   |   |
| 45  | 1    | 26106-060122 | BOLT, M6X 12 PLATED | 1    |     |     |     |     |     |   |   |

Fig.11. FUEL INJECTION PUMP

(A)=4TNV88-GGEGV  
(D)=  
(E)=  
(F)=



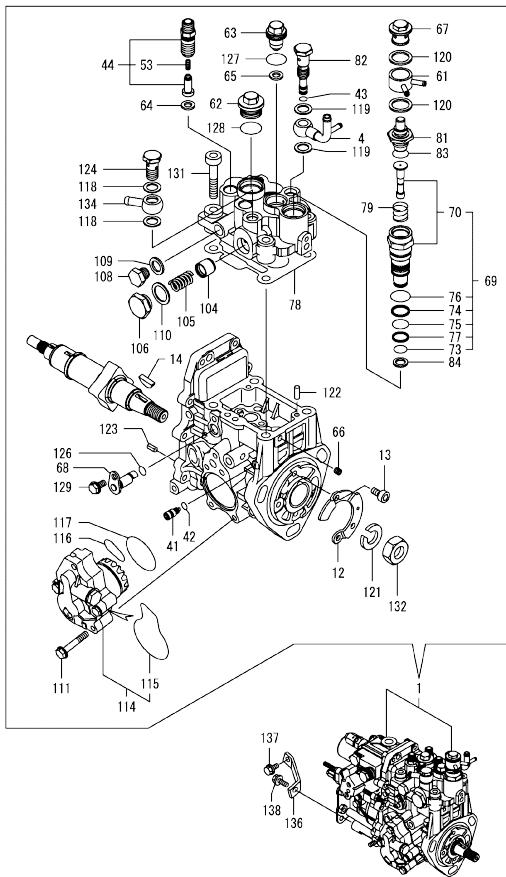
| No. | Lev. | Parts No.    | Description          | Q'ty |     |     |     |     |     | I | R |
|-----|------|--------------|----------------------|------|-----|-----|-----|-----|-----|---|---|
|     |      |              |                      | (A)  | (B) | (C) | (D) | (E) | (F) |   |   |
| 1   | 1    | 729647-51310 | FIE ASSY             | 1    |     |     |     |     |     |   | 1 |
| 4   | 2    | 158552-51670 | JOINT, OVERFLOW      | 1    |     |     |     |     |     |   |   |
| 12  | 2    | 129008-51900 | COVER, PUMP          | 1    |     |     |     |     |     |   |   |
| 13  | 2    | 129008-51920 | BOLT, M6X10          | 2    |     |     |     |     |     |   |   |
| 14  | 2    | 119802-51090 | KEY, FEATHER 4X16    | 1    |     |     |     |     |     |   |   |
| 41  | 2    | 158600-51270 | STOPPER, TAPPET      | 1    |     |     |     |     |     |   |   |
| 42  | 2    | 158563-51281 | O-RING, 4D S6        | 1    |     |     |     |     |     |   |   |
| 43  | 2    | 158563-51281 | O-RING, 4D S6        | 1    |     |     |     |     |     |   |   |
| 44  | 2    | 129509-51390 | VALVE ASSY, DELIVERY | 4    |     |     |     |     |     |   |   |
| 53  | 3    | 158563-51330 | SPRING, DELIVERY     | 4    |     |     |     |     |     |   |   |
| 61  | 2    | 158553-51551 | JOINT, COOLING WATER | 1    |     |     |     |     |     |   |   |
| 62  | 2    | 158601-51550 | PLUG, M22            | 1    |     |     |     |     |     |   |   |
| 63  | 2    | 119802-51560 | PLUG, BARREL M14     | 1    |     |     |     |     |     |   |   |
| 64  | 2    | 158552-51571 | GASKET, BARREL PLUG  | 4    |     |     |     |     |     |   |   |
| 65  | 2    | 158552-51571 | GASKET, BARREL PLUG  | 1    |     |     |     |     |     |   |   |
| 66  | 2    | 158557-51570 | PLUG, RACK           | 1    |     |     |     |     |     |   |   |
| 67  | 2    | 158601-51570 | PLUG                 | 1    |     |     |     |     |     |   |   |
| 68  | 2    | 158552-51580 | LIFTER, LINK         | 1    |     |     |     |     |     |   |   |
| 69  | 2    | 119802-51590 | TIMER ASSY           | 1    |     |     |     |     |     |   |   |
| 70  | 3    | 119802-51600 | TIMER ASSY           | 1    |     |     |     |     |     |   |   |
| 73  | 3    | 158553-51670 | O-RING, PUMP TIMER   | 1    |     |     |     |     |     |   |   |
| 74  | 3    | 119802-51680 | RING, BACKUP         | 1    |     |     |     |     |     |   |   |
| 75  | 3    | 119802-51690 | O-RING, 1016         | 1    |     |     |     |     |     |   |   |
| 76  | 3    | 24356-190200 | O-RING, 4D19020      | 1    |     |     |     |     |     |   |   |
| 77  | 3    | 24372-000150 | RING, BACK UP T2P15  | 1    |     |     |     |     |     |   |   |
| 78  | 2    | 158552-51600 | GASKET, HEAD         | 1    |     |     |     |     |     |   |   |
| 79  | 2    | 158553-51630 | SPRING, TIMER        | 1    |     |     |     |     |     |   |   |
| 81  | 2    | 158553-51640 | ELEMENT, THERMOSTAT  | 1    |     |     |     |     |     |   |   |
| 82  | 2    | 158601-51650 | JOINT, OVERFLOW      | 1    |     |     |     |     |     |   |   |
| 83  | 2    | 158553-51660 | O-RING, P14          | 1    |     |     |     |     |     |   |   |
| 84  | 2    | 158553-51680 | GASKET, TIMER        | 1    |     |     |     |     |     |   |   |
| 104 | 2    | 158601-51770 | PISTON, ACCUMULATOR  | 1    |     |     |     |     |     |   |   |
| 105 | 2    | 158552-51781 | SPRING, ACCUMULATOR  | 1    |     |     |     |     |     |   |   |
| 106 | 2    | 158601-51790 | PLUG, ACCUMULATOR    | 1    |     |     |     |     |     |   |   |
| 108 | 2    | 158553-51930 | PLUG, M12            | 1    |     |     |     |     |     |   |   |
| 109 | 2    | 22190-120002 | WASHER, SEAL 12      | 1    |     |     |     |     |     |   |   |
| 110 | 2    | 22190-180002 | WASHER, SEAL 18      | 1    |     |     |     |     |     |   |   |
| 111 | 2    | 158553-51770 | BOLT                 | 4    |     |     |     |     |     |   |   |
| 114 | 2    | 158552-52100 | PUMP ASSY, FUEL FEED | 1    |     |     |     |     |     |   |   |
| 115 | 3    | 158552-52500 | O-RING, PUMP INNER   | 1    |     |     |     |     |     |   |   |
| 116 | 2    | 158552-52311 | O-RING, FEED PUMP    | 1    |     |     |     |     |     |   |   |
| 117 | 2    | 158552-52400 | O-RING, 4E S42       | 1    |     |     |     |     |     |   |   |
| 118 | 2    | 22190-120002 | WASHER, SEAL 12      | 2    |     |     |     |     |     |   |   |
| 119 | 2    | 22190-120002 | WASHER, SEAL 12      | 2    |     |     |     |     |     |   |   |
| 120 | 2    | 22190-180002 | WASHER, SEAL 18      | 2    |     |     |     |     |     |   |   |
| 121 | 2    | 22217-140000 | WASHER, SPRING 14    | 1    |     |     |     |     |     |   |   |
| 122 | 2    | 22312-050140 | PIN, PARALLEL 5X14   | 2    |     |     |     |     |     |   |   |
| 123 | 2    | 22351-050010 | PIN, SPRING 5.0X10   | 2    |     |     |     |     |     |   |   |
| 124 | 2    | 23857-060000 | BOLT, JOINT 6        | 1    |     |     |     |     |     |   |   |
| 126 | 2    | 24311-000070 | O-RING, 1AP7.0       | 1    |     |     |     |     |     |   |   |
| 127 | 2    | 24356-190180 | O-RING, 4D19018      | 1    |     |     |     |     |     |   |   |

Remarks

(1)Governor(Fig.12) is incorporated in this Fuel Injection Pump(No.1).

N:Old  $\frac{New}{Old}$  New, Q:Old  $\frac{New}{Old}$  New, R:Old  $\frac{New}{Old}$  New, S:Old  $\frac{New}{Old}$  New, W:Add, Z:Discontinued, F:Interchangeable by set, K:Q'ty Change  
++ CONTINUE ++  
Copyright (C) 2018 YANMAR CO., LTD. All Rights Reserved.

Fig.11. FUEL INJECTION PUMP



(A)=4TNV88-GGEGV  
(B)=  
(C)=

(D)=  
(E)=  
(F)=

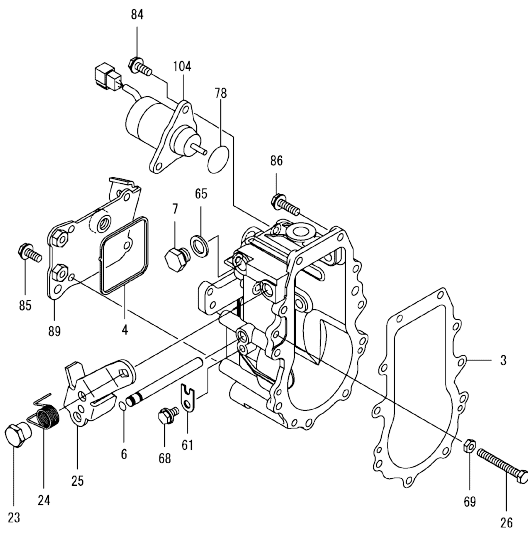
| No. | Lev. | Parts No.    | Description         | Q'ty |     |     |     |     |     | I | R |
|-----|------|--------------|---------------------|------|-----|-----|-----|-----|-----|---|---|
|     |      |              |                     | (A)  | (B) | (C) | (D) | (E) | (F) |   |   |
| 128 | 2    | 24356-190200 | O-RING, 4D19020     | 1    |     |     |     |     |     |   |   |
| 129 | 2    | 26106-060102 | BOLT, M6X 10 PLATED | 1    |     |     |     |     |     |   |   |
| 131 | 2    | 26450-080452 | BOLT, M8X 45        | 4    |     |     |     |     |     |   |   |
| 132 | 2    | 26776-140002 | NUT, LOCK M14       | 1    |     |     |     |     |     |   |   |
| 134 | 2    | 129916-59020 | JOINT, PIPE 12      | 1    |     |     |     |     |     |   |   |
| 136 | 1    | 129601-51250 | RETAINER, FUEL PUMP | 1    |     |     |     |     |     |   |   |
| 137 | 1    | 26106-080162 | BOLT, M8X 16 PLATED | 1    |     |     |     |     |     |   |   |
| 138 | 1    | 26106-080202 | BOLT, M8X 20 PLATED | 1    |     |     |     |     |     |   |   |

Remarks

(1)Governor(Fig.12) is incorporated in this Fuel Injection Pump(No.1).

OCD50-M03550 ENGINE  
 Fig.12. GOVERNOR

OCD50-M03550 Fig.12



(A)=4TNV88-GGEGV  
 (B)=  
 (C)=

(D)=  
 (E)=  
 (F)=

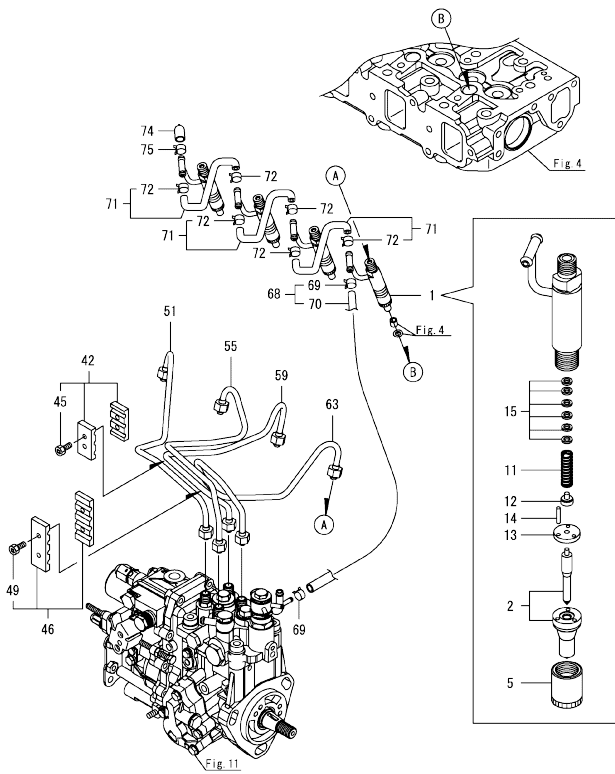
| No. | Lev. | Parts No.    | Description          | Q'ty |     |     |     |     |     |
|-----|------|--------------|----------------------|------|-----|-----|-----|-----|-----|
|     |      |              |                      | (A)  | (B) | (C) | (D) | (E) | (F) |
| 3   | 2    | 158553-61050 | GASKET, CASE         | 1    |     |     |     |     |     |
| 4   | 2    | 158553-61070 | GASKET, CASE         | 1    |     |     |     |     |     |
| 6   | 2    | 129155-51280 | O-RING, S6           | 1    |     |     |     |     |     |
| 7   | 2    | 158553-51930 | PLUG, M12            | 1    |     |     |     |     |     |
| 23  | 2    | 129255-61410 | NUT, CONTROL LEVER   | 1    |     |     |     |     |     |
| 24  | 2    | 119807-61420 | SPRING, RETURN       | 1    |     |     |     |     |     |
| 25  | 2    | 129246-61441 | LEVER, REGULATOR     | 1    |     |     |     |     |     |
| 26  | 2    | 129155-61461 | BOLT, IDLE LIMIT     | 1    |     |     |     |     |     |
| 61  | 2    | 119660-61901 | STOPPER, SHAFT       | 1    |     |     |     |     |     |
| 65  | 2    | 22190-120002 | WASHER, SEAL 12      | 1    |     |     |     |     |     |
| 68  | 2    | 26106-060102 | BOLT, M6X 10 PLATED  | 1    |     |     |     |     |     |
| 69  | 2    | 119740-61470 | NUT                  | 1    |     |     |     |     |     |
| 78  | 2    | 158552-61900 | O-RING               | 1    |     |     |     |     |     |
| 84  | 2    | 26106-060142 | BOLT, M6X 14 PLATED  | 2    |     |     |     |     |     |
| 85  | 2    | 26106-060142 | BOLT, M6X 14 PLATED  | 4    |     |     |     |     |     |
| 86  | 2    | 26106-060202 | BOLT, M6X 20 PLATED  | 10   |     |     |     |     |     |
| 89  | 2    | 129246-61061 | COVER, GOVERNOR CASE | 1    |     |     |     |     |     |
| 104 | 2    | 129630-77910 | SOLENOID, STOP       | 1    |     |     |     |     |     |

Remarks  
 \* This figure(Governor) is incorporated in the Fuel Injection Pump(Fig.11).

N:Old  $\frac{100}{100}$  New, Q:Old  $\frac{100}{100}$  New, R:Old  $\frac{100}{100}$  New, S:Old  $\frac{100}{100}$  New, W:Add, Z:Discontinued, F:Interchangeable by set, K:Q'ty Change  
 Copyright (C) 2018 YANMAR CO., LTD. All Rights Reserved.



Fig.13. FUEL INJECTION VALVE



(A)=4TNV88-GGEGV  
(B)=  
(C)=

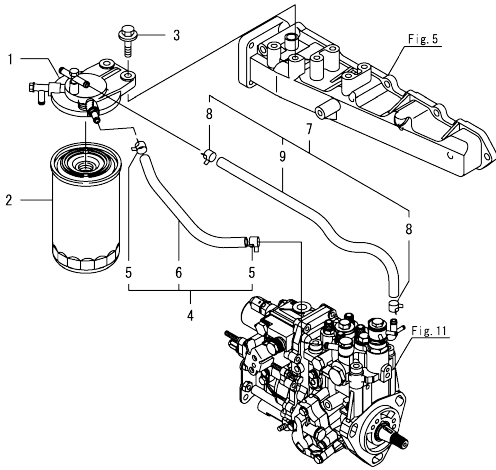
(D)=  
(E)=  
(F)=

| No. | Lev. | Parts No.    | Description           | Q'ty |     |     |     |     |     | I | R |
|-----|------|--------------|-----------------------|------|-----|-----|-----|-----|-----|---|---|
|     |      |              |                       | (A)  | (B) | (C) | (D) | (E) | (F) |   |   |
| 1   | 1    | 729246-53101 | VALVE ASSY, INJECTION | 4    |     |     |     |     |     |   |   |
| 2   | 2    | 129246-53001 | VALVE ASSY, INJECTION | 4    |     |     |     |     |     |   |   |
| 5   | 2    | 114250-53080 | NUT, NOZZLE           | 4    |     |     |     |     |     |   |   |
| 11  | 2    | 114250-53120 | SPRING, NOZZLE        | 4    |     |     |     |     |     |   |   |
| 12  | 2    | 114250-53130 | SEAT, SPRING          | 4    |     |     |     |     |     |   |   |
| 13  | 2    | 114250-53140 | SPACER, VALVE STOP    | 4    |     |     |     |     |     |   |   |
| 14  | 2    | 114250-53210 | PIN, POSITIONING      | 8    |     |     |     |     |     |   |   |
| 15  | 2    | 119803-53400 | SHIM SET              | 4    |     |     |     |     |     |   |   |
| 42  | 1    | 129150-59120 | RETAINER, PIPE        | 1    |     |     |     |     |     |   | 1 |
| 45  | 2    | 129150-59131 | BOLT, M4X14           | 2    |     |     |     |     |     |   |   |
| 46  | 1    | 129550-59120 | RETAINER, PIPE        | 1    |     |     |     |     |     |   |   |
| 49  | 2    | 129150-59131 | BOLT, M4X14           | 2    |     |     |     |     |     |   |   |
| 51  | 1    | 129601-59810 | PIPE ASSY, INJECTION  | 1    |     |     |     |     |     |   |   |
| 55  | 1    | 129601-59820 | PIPE ASSY, INJECTION  | 1    |     |     |     |     |     |   |   |
| 59  | 1    | 129601-59830 | PIPE ASSY, INJECTION  | 1    |     |     |     |     |     |   |   |
| 63  | 1    | 129601-59840 | PIPE ASSY, INJECTION  | 1    |     |     |     |     |     |   |   |
| 68  | 1    | 119802-59550 | HOSE ASSY, RETURN     | 1    |     |     |     |     |     |   |   |
| 69  | 2    | 124722-59050 | CLAMP, HOSE 9         | 2    |     |     |     |     |     |   |   |
| 70  | 2    | 119802-59560 | HOSE, FUEL RETURN     | 1    |     |     |     |     |     |   |   |
| 71  | 1    | 129486-59551 | HOSE ASSY, RETURN     | 3    |     |     |     |     |     |   |   |
| 72  | 2    | 124722-59050 | CLAMP, HOSE 9         | 6    |     |     |     |     |     |   |   |
| 74  | 1    | 119593-59581 | CAP, RETURN PIPE      | 1    |     |     |     |     |     |   |   |
| 75  | 1    | 124060-77680 | CLAMP, HOSE 10        | 1    |     |     |     |     |     |   |   |

Remarks

(1) Spare parts.

Fig.14. FUEL FILTER

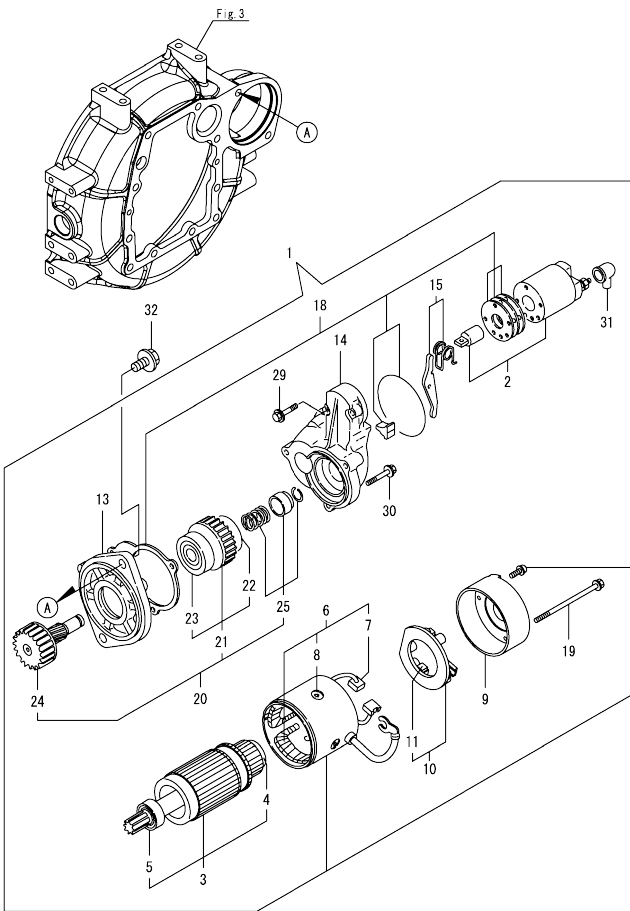


(A)=4TNV88-GGEGV  
(B)=  
(C)=

(D)=  
(E)=  
(F)=

| No. | Lev. | Parts No.    | Description          | Q'ty |     |     |     |     |     |
|-----|------|--------------|----------------------|------|-----|-----|-----|-----|-----|
|     |      |              |                      | (A)  | (B) | (C) | (D) | (E) | (F) |
| 1   | 1    | 129004-55612 | BRACKET, FILTER      | 1    |     |     |     |     |     |
| 2   | 1    | 129907-55801 | FILTER, FUEL         | 1    |     |     |     |     |     |
| 3   | 1    | 26106-080302 | BOLT, M8X 30 PLATED  | 2    |     |     |     |     |     |
| 4   | 1    | 129210-59090 | HOSE ASSY, FUEL L290 | 1    |     |     |     |     |     |
| 5   | 2    | 124766-59050 | CLAMP, HOSE 11.5     | 2    |     |     |     |     |     |
| 6   | 2    | 105325-59570 | PIPE, FUEL           | 1    |     |     |     |     |     |
| 7   | 1    | 129210-59150 | HOSE ASSY, FUEL L400 | 1    |     |     |     |     |     |
| 8   | 2    | 124766-59050 | CLAMP, HOSE 11.5     | 2    |     |     |     |     |     |
| 9   | 2    | 105025-59530 | HOSE, FUEL D13X400   | 1    |     |     |     |     |     |

Fig.15. STARTER MOTOR

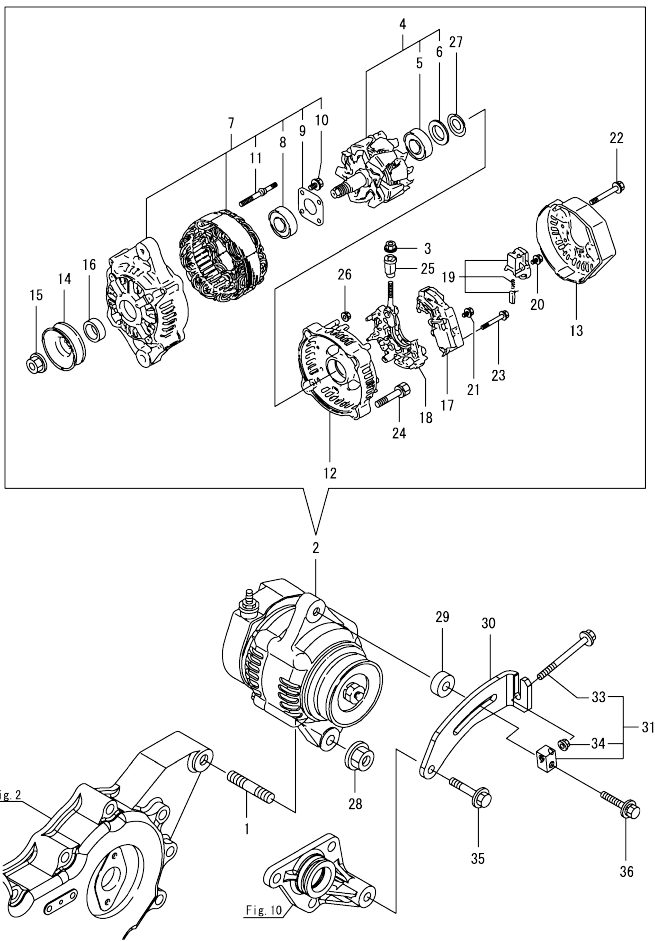


(A)=4TNV88-GGEGV  
(B)=  
(C)=

(D)=  
(E)=  
(F)=

| No. | Lev. | Parts No.    | Description          | Q'ty |     |     |     |     |     | I | R |
|-----|------|--------------|----------------------|------|-----|-----|-----|-----|-----|---|---|
|     |      |              |                      | (A)  | (B) | (C) | (D) | (E) | (F) |   |   |
| 1   | 1    | 129136-77011 | STARTER              | 1    |     |     |     |     |     |   |   |
| 2   | 2    | 129136-77310 | SWITCH ASSY, MAGNET  | 1    |     |     |     |     |     |   |   |
| 3   | 2    | 129900-77400 | ARMATURE ASSY        | 1    |     |     |     |     |     |   |   |
| 4   | 3    | X2130350900  | BEARING, BALL        | 1    |     |     |     |     |     |   |   |
| 5   | 3    | X2114255110  | BEARING, BALL        | 1    |     |     |     |     |     |   |   |
| 6   | 2    | 129900-77440 | COIL ASSY, FIELD     | 1    |     |     |     |     |     |   |   |
| 7   | 3    | 129900-77450 | BRUSH, +             | 2    |     |     |     |     |     |   |   |
| 8   | 3    | 171008-77450 | SCREW, CORE SET      | 4    |     |     |     |     |     |   |   |
| 9   | 2    | 129900-77460 | COVER, REAR          | 1    |     |     |     |     |     |   |   |
| 10  | 2    | 129900-77480 | HOLDER ASSY, BRUSH   | 1    |     |     |     |     |     |   |   |
| 11  | 3    | 129900-77500 | BRUSH                | 2    |     |     |     |     |     |   |   |
| 13  | 2    | 171008-77510 | CASE, GEAR           | 1    |     |     |     |     |     |   |   |
| 14  | 2    | 129136-77520 | HOUSING, STARTOR     | 1    |     |     |     |     |     |   |   |
| 15  | 2    | 171008-77540 | LEVER SET, SHIFT     | 1    |     |     |     |     |     |   |   |
| 18  | 2    | 129400-77571 | COVER KIT, DUST      | 1    |     |     |     |     |     |   |   |
| 19  | 2    | 129900-77640 | BOLT, THROUGH        | 2    |     |     |     |     |     |   |   |
| 20  | 2    | 171008-77650 | PINION ASSY,W/CLUTCH | 1    |     |     |     |     |     |   |   |
| 21  | 3    | X2114555500  | CLUTCH ASSY          | 1    |     |     |     |     |     |   |   |
| 22  | 4    | X2114955020  | BEARING, BALL        | 1    |     |     |     |     |     |   |   |
| 23  | 4    | X2240410100  | BEARING, BALL        | 1    |     |     |     |     |     |   |   |
| 24  | 3    | 171008-77660 | SHAFT, PINION        | 1    |     |     |     |     |     |   |   |
| 25  | 3    | 171008-77670 | STOPPER SET, PINION  | 1    |     |     |     |     |     |   |   |
| 29  | 2    | 26106-060322 | BOLT, M6X 32 PLATED  | 2    |     |     |     |     |     |   |   |
| 30  | 2    | 26106-060402 | BOLT, M6X 40 PLATED  | 3    |     |     |     |     |     |   |   |
| 31  | 2    | 171008-77750 | COVER, TERMINAL      | 1    |     |     |     |     |     |   |   |
| 32  | 1    | 26106-120252 | BOLT, M12X 25 PLATED | 2    |     |     |     |     |     |   |   |

Fig.16. GENERATOR

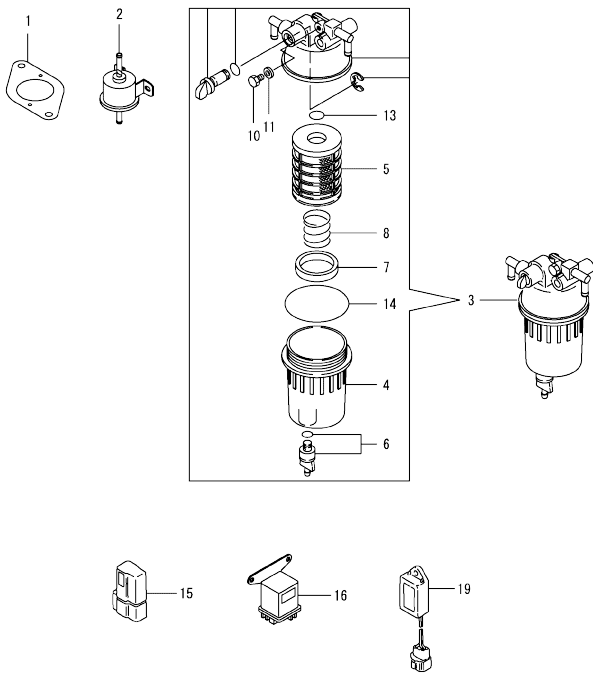


(A)=4TNV88-GGEGV  
(B)=  
(C)=

(D)=  
(E)=  
(F)=

| No. | Lev. | Parts No.    | Description          | Q'ty |     |     |     |     |     | I | R |
|-----|------|--------------|----------------------|------|-----|-----|-----|-----|-----|---|---|
|     |      |              |                      | (A)  | (B) | (C) | (D) | (E) | (F) |   |   |
| 1   | 1    | 129795-01900 | BOLT, M10X30         | 1    |     |     |     |     |     |   |   |
| 2   | 1    | 129240-77200 | ALTERNATOR, 12V-40A  | 1    |     |     |     |     |     |   |   |
| 3   | 2    | 129240-79310 | NUT                  | 1    |     |     |     |     |     |   |   |
| 4   | 2    | 119620-77380 | ROTOR ASSY           | 1    |     |     |     |     |     |   |   |
| 5   | 3    | 123501-79240 | BEARING, BALL        | 1    |     |     |     |     |     |   |   |
| 6   | 3    | 119620-79250 | COVER, BEARING       | 1    |     |     |     |     |     |   |   |
| 7   | 2    | 119620-77421 | FRAME ASSY, DRIVE    | 1    |     |     |     |     |     |   |   |
| 8   | 3    | 119620-79200 | BEARING, BALL        | 1    |     |     |     |     |     |   |   |
| 9   | 3    | 119620-79210 | PLATE, RETAINER      | 1    |     |     |     |     |     |   |   |
| 10  | 3    | 119620-79220 | SCREW                | 4    |     |     |     |     |     |   |   |
| 11  | 3    | 119620-79230 | STUD                 | 2    |     |     |     |     |     |   |   |
| 12  | 2    | 119620-77440 | FRAME ASSY, REAR     | 1    |     |     |     |     |     |   |   |
| 13  | 2    | 129240-79300 | COVER                | 1    |     |     |     |     |     |   |   |
| 14  | 2    | 119620-77461 | PULLEY, GENERATOR    | 1    |     |     |     |     |     |   |   |
| 15  | 2    | 119620-77471 | NUT                  | 1    |     |     |     |     |     |   |   |
| 16  | 2    | 119620-77490 | COLLAR               | 1    |     |     |     |     |     |   |   |
| 17  | 2    | 129240-77720 | REGULATOR ASSY       | 1    |     |     |     |     |     |   |   |
| 18  | 2    | 119620-79260 | HOLDER ASSY          | 1    |     |     |     |     |     |   |   |
| 19  | 2    | 129052-79270 | HOLDER ASSY, BRUSH   | 1    |     |     |     |     |     |   |   |
| 20  | 2    | 119620-79290 | SCREW                | 6    |     |     |     |     |     |   |   |
| 21  | 2    | 119620-79300 | SCREW                | 1    |     |     |     |     |     |   |   |
| 22  | 2    | 119620-79310 | BOLT                 | 3    |     |     |     |     |     |   |   |
| 23  | 2    | 119620-79320 | SCREW, W/WASHER      | 2    |     |     |     |     |     |   |   |
| 24  | 2    | 119620-79330 | BOLT                 | 2    |     |     |     |     |     |   |   |
| 25  | 2    | 119620-79340 | BUSH, INSULATION     | 1    |     |     |     |     |     |   |   |
| 26  | 2    | 119620-79350 | NUT                  | 2    |     |     |     |     |     |   |   |
| 27  | 2    | 119620-79360 | WASHER, THRUST       | 1    |     |     |     |     |     |   |   |
| 28  | 1    | 26306-100002 | NUT, M10             | 1    |     |     |     |     |     |   |   |
| 29  | 1    | 119940-77270 | SPACER, GENERATOR    | 1    |     |     |     |     |     |   |   |
| 30  | 1    | 129647-77300 | ADJUSTER, BELT       | 1    |     |     |     |     |     |   |   |
| 31  | 1    | 119624-77351 | BLOCK ASSY, ADJUSTER | 1    |     |     |     |     |     |   |   |
| 33  | 2    | 26106-081004 | BOLT, M8X100 PLATED  | 1    |     |     |     |     |     |   |   |
| 34  | 2    | 26306-080002 | NUT, M8              | 1    |     |     |     |     |     |   |   |
| 35  | 1    | 26106-080452 | BOLT, M8X 45 PLATED  | 1    |     |     |     |     |     |   |   |
| 36  | 1    | 26106-080552 | BOLT, M8X 55 PLATED  | 1    |     |     |     |     |     |   |   |

Fig.17. ACCESSORY



(A)=4TNV88-GGEGV  
(B)=  
(C)=

(D)=  
(E)=  
(F)=

| No. | Lev. | Parts No.    | Description          | Q'ty |     |     |     |     |     |
|-----|------|--------------|----------------------|------|-----|-----|-----|-----|-----|
|     |      |              |                      | (A)  | (B) | (C) | (D) | (E) | (F) |
| 1   | 1    | 129107-13540 | GASKET, SILENCER     | 1    |     |     |     |     |     |
| 2   | 1    | 119225-52102 | PUMP, FUEL FEED      | 1    |     |     |     |     |     |
| 3   | 1    | 129630-55711 | FILTER ASSY, PRE     | 1    |     |     |     |     |     |
| 4   | 2    | 129242-55720 | CUP, SEPARATOR       | 1    |     |     |     |     |     |
| 5   | 2    | 129630-55731 | ELEMENT, FUEL FILTER | 1    |     |     |     |     |     |
| 6   | 2    | 129242-55740 | PLUG, DRAIN          | 1    |     |     |     |     |     |
| 7   | 2    | 129242-55770 | FLOAT                | 1    |     |     |     |     |     |
| 8   | 2    | 129630-55780 | SPRING               | 1    |     |     |     |     |     |
| 10  | 2    | 129242-55750 | VALVE, AIR VENT      | 1    |     |     |     |     |     |
| 11  | 2    | 129242-55760 | GASKET, PLUG         | 1    |     |     |     |     |     |
| 13  | 2    | 24311-000160 | O-RING, 1AP16.0      | 1    |     |     |     |     |     |
| 14  | 2    | 24321-000750 | O-RING, 1AG75.0      | 1    |     |     |     |     |     |
| 15  | 1    | 119643-66900 | DIODE                | 1    |     |     |     |     |     |
| 16  | 1    | 119650-77911 | RELAY ASSY, GLOW     | 1    |     |     |     |     |     |
| 19  | 1    | 129211-77920 | TIMER, SECTION 1     | 1    |     |     |     |     |     |

## Parts No. Index

| Parts No.    | Fig. No. | Ref. No. | Parts No.    | Fig. No. | Ref. No. | Parts No.    | Fig. No. | Ref. No. | Parts No.    | Fig. No. | Ref. No. |
|--------------|----------|----------|--------------|----------|----------|--------------|----------|----------|--------------|----------|----------|
| 105025-59530 | 14       | 9        | 119802-13641 | 6        | 6        | 124240-01871 | 2        | 9        | 129136-77520 | 15       | 14       |
| 105325-59570 | 14       | 6        | 119802-13661 | 6        | 7        | 124395-49840 | 10       | 17       | 129150-01200 | 1        | 28       |
| 114250-39450 | 9        | 14       | 119802-21202 | 8        | 4        | 124460-11340 | 4        | 26       | 129150-02020 | 1        | 6        |
| 114250-53080 | 13       | 5        | 119802-21660 | 8        | 8        | 124465-44950 | 10       | 36       | 129150-02450 | 7        | 4        |
| 114250-53120 | 13       | 11       | 119802-25051 | 7        | 9        |              |          | 37       | 129150-02871 | 1        | 33       |
| 114250-53130 | 13       | 12       | 119802-25071 | 7        | 13       | 124550-21600 | 8        | 14       | 129150-02931 | 1        | 24       |
| 114250-53140 | 13       | 13       | 119802-25101 | 7        | 10       | 124722-59050 | 10       | 41       | 129150-02941 | 1        | 36       |
| 114250-53210 | 13       | 14       | 119802-25901 | 7        | 16       |              |          | 44       | 129150-03070 | 4        | 42       |
| 119131-18320 | 6        | 8        | 119802-32070 | 2        | 13       |              |          | 69       | 129150-11230 | 4        | 10       |
| 119225-52102 | 17       | 2        | 119802-32100 | 2        | 12       |              |          | 72       | 129150-11280 | 4        | 8        |
| 119309-01810 | 1        | 39       | 119802-32111 | 2        | 17       | 124766-59050 | 14       | 5        | 129150-11370 | 4        | 14       |
| 119593-59581 | 13       | 74       | 119802-32120 | 2        | 18       |              |          | 8        | 129150-11750 | 4        | 12       |
| 119609-32040 | 2        | 11       | 119802-32130 | 2        | 19       | 127695-35150 | 9        | 12       | 129150-11810 | 4        | 30       |
| 119620-01750 | 3        | 3        | 119802-39450 | 9        | 16       | 129001-01250 | 1        | 4        | 129150-14101 | 7        | 6        |
| 119620-77380 | 16       | 4        | 119802-49113 | 10       | 10       | 129001-02931 | 1        | 30       | 129150-14200 | 7        | 1        |
| 119620-77421 | 16       | 7        | 119802-49730 | 10       | 40       | 129001-32330 | 2        | 16       | 129150-14400 | 7        | 2        |
| 119620-77440 | 16       | 12       | 119802-51090 | 11       | 14       | 129004-01190 | 1        | 27       | 129150-23601 | 8        | 30       |
| 119620-77461 | 16       | 14       | 119802-51560 | 11       | 63       | 129004-03010 | 4        | 41       | 129150-23611 | 8        | 33       |
| 119620-77471 | 16       | 15       | 119802-51590 | 11       | 69       | 129004-11130 | 4        | 23       | 129150-25301 | 7        | 15       |
| 119620-77490 | 16       | 16       | 119802-51600 | 11       | 70       | 129004-11650 | 4        | 9        | 129150-35042 | 9        | 1        |
| 119620-79200 | 16       | 8        | 119802-51680 | 11       | 74       | 129004-11900 | 4        | 33       | 129150-49811 | 10       | 29       |
| 119620-79210 | 16       | 9        | 119802-51690 | 11       | 75       | 129004-42001 | 10       | 1        | 129150-59120 | 13       | 42       |
| 119620-79220 | 16       | 10       | 119802-59550 | 13       | 68       | 129004-42040 | 10       | 15       | 129150-59131 | 13       | 45       |
| 119620-79230 | 16       | 11       | 119802-59560 | 13       | 70       | 129004-49610 | 10       | 38       |              |          | 49       |
| 119620-79250 | 16       | 6        | 119803-53400 | 13       | 15       | 129004-49620 | 10       | 42       | 129150-77511 | 5        | 9        |
| 119620-79260 | 16       | 18       | 119807-61420 | 12       | 24       | 129004-49711 | 10       | 39       | 129155-42350 | 10       | 23       |
| 119620-79290 | 16       | 20       | 119934-01800 | 2        | 5        | 129004-49721 | 10       | 43       | 129155-49801 | 10       | 28       |
| 119620-79300 | 16       | 21       | 119940-77270 | 16       | 29       | 129004-55612 | 14       | 1        | 129155-51280 | 12       | 6        |
| 119620-79310 | 16       | 22       | 120130-11860 | 4        | 29       | 129005-22080 | 8        | 15       | 129155-61461 | 12       | 26       |
| 119620-79320 | 16       | 23       | 120270-54410 | 4        | 34       | 129005-22500 | 8        | 17       | 129202-22300 | 8        | 23       |
| 119620-79330 | 16       | 24       | 121023-01551 | 2        | 27       | 129005-22900 | 8        | 35       | 129210-59090 | 14       | 4        |
| 119620-79340 | 16       | 25       | 121111-21501 | 8        | 11       | 129005-22950 | 8        | 37       | 129210-59150 | 14       | 7        |
| 119620-79350 | 16       | 26       | 121250-44901 | 10       | 35       | 129005-59830 | 9        | 17       | 129211-77920 | 17       | 19       |
| 119620-79360 | 16       | 27       | 121252-39450 | 9        | 14       | -1           |          |          | 129240-77200 | 16       | 2        |
| 119624-77351 | 16       | 31       | 121267-44760 | 10       | 26       | 129008-51900 | 11       | 12       | 129240-77720 | 16       | 17       |
| 119625-11880 | 4        | 32       | 121400-11340 | 4        | 25       | 129008-51920 | 11       | 13       | 129240-79300 | 16       | 13       |
| 119640-01640 | 3        | 11       | 121450-42450 | 10       | 34       | 129033-01770 | 9        | 8        | 129240-79310 | 16       | 3        |
| 119643-66900 | 17       | 15       | 121550-23200 | 8        | 29       | 129052-79270 | 16       | 19       | 129242-55720 | 17       | 4        |
| 119650-77911 | 17       | 16       | 121850-21680 | 8        | 10       | 129100-01580 | 3        | 1        | 129242-55740 | 17       | 6        |
| 119660-61901 | 12       | 61       | 121850-51960 | 2        | 20       |              |          | 22       | 129242-55750 | 17       | 10       |
| 119740-61470 | 12       | 69       | 123501-79240 | 16       | 5        | 129100-11112 | 4        | 21       | 129242-55760 | 17       | 11       |
| 119802-01520 | 2        | 6        | 124060-01050 | 1        | 11       | 129100-23910 | 8        | 32       | 129242-55770 | 17       | 7        |
| 119802-01561 | 2        | 7        | 124060-77680 | 13       | 75       | 129100-42051 | 10       | 3        | 129246-53001 | 13       | 2        |
| 119802-03110 | 4        | 43       | 124085-01771 | 3        | 13       | 129100-42121 | 10       | 4        | 129246-61061 | 12       | 89       |
| 119802-03121 | 4        | 44       | 124160-01751 | 2        | 8        | 129100-77501 | 5        | 7        | 129246-61441 | 12       | 25       |
| 119802-03130 | 4        | 45       |              | 4        | 39       | 129100-77510 | 5        | 8        | 129255-61410 | 12       | 23       |
| 119802-03141 | 4        | 46       | 124160-01910 | 1        | 12       | 129103-35122 | 9        | 11       | 129258-42290 | 10       | 24       |
| 119802-11260 | 4        | 6        |              | 13       |          | 129107-13540 | 17       | 1        | 129263-13210 | 6        | 5        |
| 119802-11270 | 4        | 7        |              | 4        | 51       | 129136-77011 | 15       | 1        | 129350-49530 | 10       | 30       |
| 119802-11870 | 4        | 31       | 124160-11360 | 4        | 51       | 129136-77310 | 15       | 2        | 129400-77571 | 15       | 18       |
|              |          |          | 124160-39140 | 9        | 15       |              |          |          |              |          |          |

## Parts No. Index

| Parts No.    | Fig. No. | Ref. No. |
|--------------|----------|----------|
| 129407-01340 | 1        | 29       |
| 129407-12110 | 5        | 4        |
| 129410-03990 | 5        | 2        |
| 129418-32320 | 2        | 15       |
| 129486-01670 | 3        | 26       |
| 129486-01830 | 3        | 17       |
| 129486-42021 | 10       | 14       |
| 129486-42140 | 10       | 16       |
| 129486-59551 | 13       | 71       |
| 129509-51390 | 11       | 44       |
| 129550-13110 | 6        | 1        |
| 129550-59120 | 13       | 46       |
| 129601-03080 | 5        | 1        |
| 129601-11241 | 4        | 3        |
| 129601-11251 | 4        | 4        |
| 129601-11310 | 4        | 48       |
| 129601-11350 | 4        | 40       |
| 129601-11700 | 4        | 15       |
| 129601-12100 | 5        | 3        |
| 129601-21002 | 8        | 1        |
| 129601-51250 | 11       | 136      |
| 129601-59810 | 13       | 51       |
| 129601-59820 | 13       | 55       |
| 129601-59830 | 13       | 59       |
| 129601-59840 | 13       | 63       |
| 129612-44700 | 10       | 25       |
| 129630-35300 | 9        | 2        |
| 129630-55711 | 17       | 3        |
| 129630-55731 | 17       | 5        |
| 129630-55780 | 17       | 8        |
| 129630-77910 | 12       | 104      |
| 129636-01791 | 3        | 16       |
| 129636-35100 | 9        | 7        |
| 129636-35200 | 9        | 10       |
| 129647-01750 | 3        | 6        |
| 129647-01760 | 3        | 10       |
| 129647-77300 | 16       | 30       |
| 129648-01600 | 3        | 23       |
| 129648-01780 | 3        | 25       |
| 129659-13130 | 6        | 2        |
| 129795-01900 | 16       | 1        |
| 129795-01950 | 2        | 10       |
| 129795-02412 | 1        | 9        |
| 129795-11120 | 4        | 22       |
| 129795-11180 | 4        | 24       |
| 129795-21661 | 8        | 9        |
| 129795-49551 | 10       | 31       |
| 129900-07900 | 4        | 1        |
| 129900-32130 | 2        | 14       |
| 129900-77400 | 15       | 3        |

| Parts No.    | Fig. No. | Ref. No. |
|--------------|----------|----------|
| 129900-77440 | 15       | 6        |
| 129900-77450 | 15       | 7        |
| 129900-77460 | 15       | 9        |
| 129900-77480 | 15       | 10       |
| 129900-77500 | 15       | 11       |
| 129900-77640 | 15       | 19       |
| 129907-55801 | 14       | 2        |
| 129916-49740 | 10       | 11       |
| 129916-59020 | 11       | 134      |
| 158552-51151 | 7        | 17       |
| 158552-51571 | 11       | 64       |
|              |          | 65       |
| 158552-51580 | 11       | 68       |
| 158552-51600 | 11       | 78       |
| 158552-51670 | 11       | 4        |
| 158552-51781 | 11       | 105      |
| 158552-52100 | 11       | 114      |
| 158552-52311 | 11       | 116      |
| 158552-52400 | 11       | 117      |
| 158552-52500 | 11       | 115      |
| 158552-61900 | 12       | 78       |
| 158553-51551 | 11       | 61       |
| 158553-51630 | 11       | 79       |
| 158553-51640 | 11       | 81       |
| 158553-51660 | 11       | 83       |
| 158553-51670 | 11       | 73       |
| 158553-51680 | 11       | 84       |
| 158553-51770 | 11       | 111      |
| 158553-51930 | 11       | 108      |
|              | 12       | 7        |
| 158553-61050 | 12       | 3        |
| 158553-61070 | 12       | 4        |
| 158557-51570 | 11       | 66       |
| 158563-51281 | 11       | 42       |
|              |          | 43       |
| 158563-51330 | 11       | 53       |
| 158600-51270 | 11       | 41       |
| 158601-51550 | 11       | 62       |
| 158601-51570 | 11       | 67       |
| 158601-51650 | 11       | 82       |
| 158601-51770 | 11       | 104      |
| 158601-51790 | 11       | 106      |
| 171008-77450 | 15       | 8        |
| 171008-77510 | 15       | 13       |
| 171008-77540 | 15       | 15       |
| 171008-77650 | 15       | 20       |
| 171008-77660 | 15       | 24       |
| 171008-77670 | 15       | 25       |
| 171008-77750 | 15       | 31       |
| 171051-01921 | 1        | 5        |

| Parts No.    | Fig. No. | Ref. No. |
|--------------|----------|----------|
| 171056-49120 | 10       | 33       |
| 171340-77520 | 5        | 10       |
| 171420-01600 | 3        | 2        |
| 171420-21590 | 8        | 12       |
| 22190-080002 | 9        | 18       |
|              |          | 20       |
| 22190-100002 | 9        | 21       |
| 22190-120002 | 11       | 109      |
|              |          | 118      |
|              |          | 119      |
|              | 12       | 65       |
| 22190-180002 | 11       | 110      |
|              |          | 120      |
| 22190-220002 | 3        | 15       |
| 22217-140000 | 11       | 121      |
| 22252-000260 | 8        | 24       |
| 22312-050140 | 11       | 122      |
| 22351-030010 | 8        | 7        |
| 22351-040012 | 6        | 4        |
| 22351-050010 | 11       | 123      |
| 22351-060012 | 4        | 35       |
| 22512-070140 | 7        | 7        |
|              | 8        | 5        |
| 22857-500100 | 4        | 49       |
|              |          | 50       |
| 23414-060000 | 3        | 8        |
| 23414-080000 | 10       | 18       |
| 23857-030000 | 9        | 19       |
| 23857-060000 | 11       | 124      |
| 23875-020000 | 10       | 12       |
| 23876-010000 | 10       | 13       |
| 23876-030000 | 2        | 3        |
| 23876-040000 | 2        | 4        |
| 24311-000070 | 11       | 126      |
| 24311-000120 | 4        | 52       |
| 24311-000160 | 17       | 13       |
| 24311-000320 | 2        | 21       |
|              | 4        | 53       |
| 24321-000750 | 17       | 14       |
| 24341-000240 | 2        | 28       |
| 24356-190180 | 11       | 127      |
| 24356-190200 | 11       | 76       |
|              |          | 128      |
| 24372-000150 | 11       | 77       |
| 26106-060102 | 3        | 9        |
|              | 11       | 129      |
|              | 12       | 68       |
| 26106-060122 | 10       | 45       |
| 26106-060142 | 12       | 84       |
|              |          | 85       |

| Parts No.    | Fig. No. | Ref. No. |
|--------------|----------|----------|
| 26106-060162 | 2        | 29       |
| 26106-060202 | 12       | 86       |
| 26106-060302 | 10       | 27       |
| 26106-060322 | 15       | 29       |
| 26106-060402 | 15       | 30       |
| 26106-080122 | 10       | 19       |
| 26106-080142 | 7        | 8        |
| 26106-080162 | 2        | 22       |
|              |          | 23       |
|              |          | 4        |
|              |          | 2        |
|              |          | 10       |
|              |          | 20       |
|              |          | 11       |
|              |          | 137      |
| 26106-080202 | 5        | 5        |
|              |          | 11       |
|              |          | 138      |
| 26106-080222 | 10       | 32       |
| 26106-080252 | 3        | 18       |
|              |          | 4        |
|              |          | 36       |
|              |          | 9        |
|              |          | 13       |
| 26106-080302 | 14       | 3        |
| 26106-080352 | 3        | 27       |
|              |          | 4        |
|              |          | 37       |
|              |          | 9        |
|              |          | 6        |
| 26106-080402 | 5        | 11       |
|              |          | 7        |
|              |          | 14       |
| 26106-080452 | 3        | 19       |
|              |          | 10       |
|              |          | 21       |
|              |          | 16       |
|              |          | 35       |
| 26106-080502 | 4        | 38       |
| 26106-080552 | 2        | 24       |
|              |          | 16       |
|              |          | 36       |
| 26106-080602 | 10       | 22       |
| 26106-080802 | 5        | 6        |
|              |          | 12       |
| 26106-080852 | 2        | 25       |
| 26106-080902 | 3        | 20       |
| 26106-081004 | 16       | 33       |
| 26106-081202 | 3        | 21       |
| 26106-120252 | 15       | 32       |
| 26206-100252 | 3        | 4        |
| 26206-100302 | 3        | 5        |
| 26226-080182 | 4        | 13       |
| 26306-080002 | 2        | 26       |
|              |          | 6        |
|              |          | 9        |
|              |          | 16       |
|              |          | 34       |
| 26306-100002 | 16       | 28       |
| 26366-060002 | 9        | 22       |
| 26450-080452 | 11       | 131      |
| 26577-060142 | 10       | 8        |
| 26776-140002 | 11       | 132      |
| 27241-120000 | 1        | 14       |

Parts No. Index

| Parts No.    | Fig. No. | Ref. No. |
|--------------|----------|----------|
| 27241-300000 | 1        | 10       |
| 27241-400000 | 4        | 20       |
| 27310-080001 | 4        | 27       |
| 719802-01500 | 2        | 1        |
| 729246-53101 | 13       | 1        |
| 729402-23100 | 8        | 25       |
| 729601-14580 | 7        | 3        |
| 729602-01560 | 1        | 1        |
| 729647-51310 | 11       | 1        |
| X2114255110  | 15       | 5        |
| X2114555500  | 15       | 21       |
| X2114955020  | 15       | 22       |
| X2130350900  | 15       | 4        |
| X2240410100  | 15       | 23       |

| Parts No. | Fig. No. | Ref. No. |
|-----------|----------|----------|
|-----------|----------|----------|

| Parts No. | Fig. No. | Ref. No. |
|-----------|----------|----------|
|-----------|----------|----------|

| Parts No. | Fig. No. | Ref. No. |
|-----------|----------|----------|
|-----------|----------|----------|