

OCR10-M64100EN

PREFACE

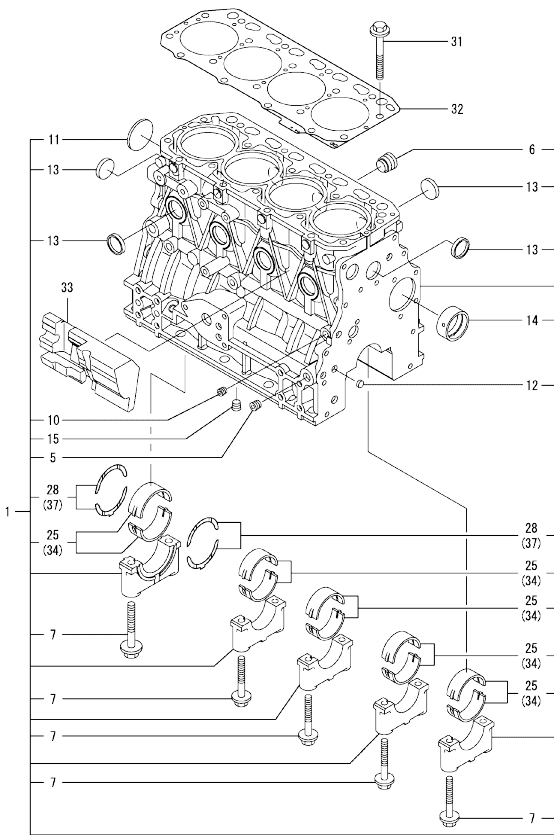
- 1.This Parts Catalog carries all parts incorporated in YANMAR Model 4TNV88-GGEP engine manufactured since January, 2006.
- 2.Each illustration corresponds to the parts list on the following page.
- 3.When ordering parts,clearly write down the engine model and serial number,as well as the name and number of each part in your order sheet. This will help insure reliable delivery of the parts you have ordered.

Contents

OCR10-M64100

Fig. No.	Fig. Name	Fig. No.	Fig. Name
ENGINE			
1.	CYLINDER BLOCK		
2.	GEAR HOUSING		
3.	FLYWHEEL HOUSING & OIL SUMP		
4.	CYLINDER HEAD & BONNET		
5.	SUCTION MANIFOLD		
6.	EXHAUST MANIFOLD		
7.	CAMSHAFT & DRIVING GEAR		
8.	CRANKSHAFT & PISTON		
9.	LUB. OIL SYSTEM		
10.	COOLING WATER SYSTEM		
11.	FUEL INJECTION PUMP		
12.	GOVERNOR		
13.	FUEL INJECTION VALVE		
14.	FUEL PIPE		
15.	STARTER MOTOR		
16.	GENERATOR		
17.	GASKET SET		

Fig.1. CYLINDER BLOCK



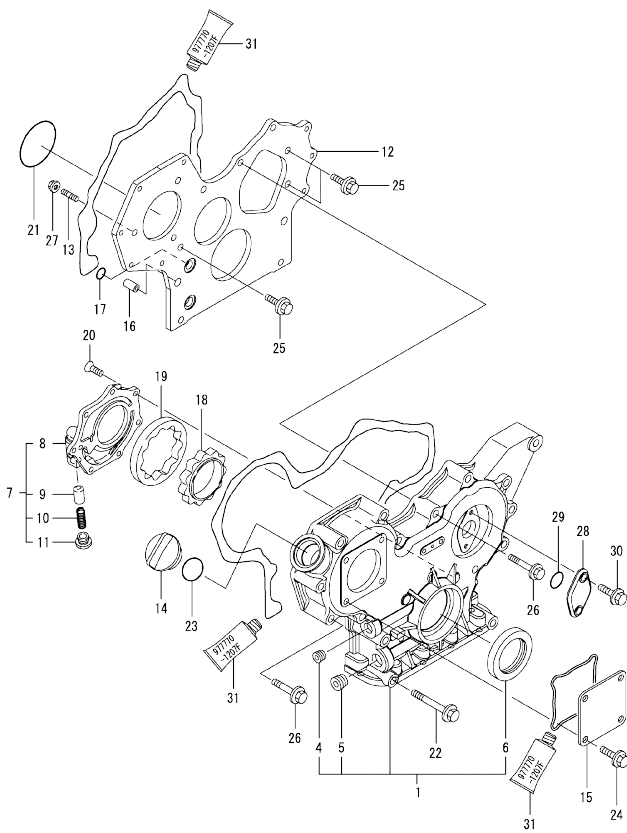
(A)=4TNV88-GGEP
(B)=
(C)=

(D)=
(E)=
(F)=

No.	Lev.	Parts No.	Description	Q'ty						I	R
				(A)	(B)	(C)	(D)	(E)	(F)		
1	1	729602-01560	BLOCK ASSY, CYLINDER	1							
5	2	124160-01910	PLUG, PT1/4	2							
6	2	171051-01921	PLUG, NPTF1	1							
7	2	129150-02020	BOLT, METAL CAP	10							
10	2	124060-01050	PLUG, PT1/8	1							
11	2	129001-01250	PLUG, 50	1							
12	2	27241-120000	PLUG, 12	2							
13	2	27241-300000	PLUG 30	8							
14	2	129795-02411	BUSH, CAMSHAFT	1							
15	2	124160-01910	PLUG, PT1/4	1							
25	2	129001-02930	BEARING ASSY, MAIN	5							3
28	2	129150-02930	BEARING ASSY, THRUST	2							
31	1	129150-01200	BOLT, CYLINDER HEAD	18							
32	1	129407-01340	GASKET, HEAD	1							
33	1	129004-01190	SPACER	1							
34	1	129150-02870	METAL ASSY, MAIN .25	5							1
37	1	129150-02940	METAL ASSY, 0.25 OS	1							2

Remarks
(1)Under-sized(U.S.=0.25) parts.
(2)Over-sized(O.S.=0.25) parts.
(3)Spare parts.

Fig.2. GEAR HOUSING



(A)=4TNV88-GGEP
(B)=
(C)=

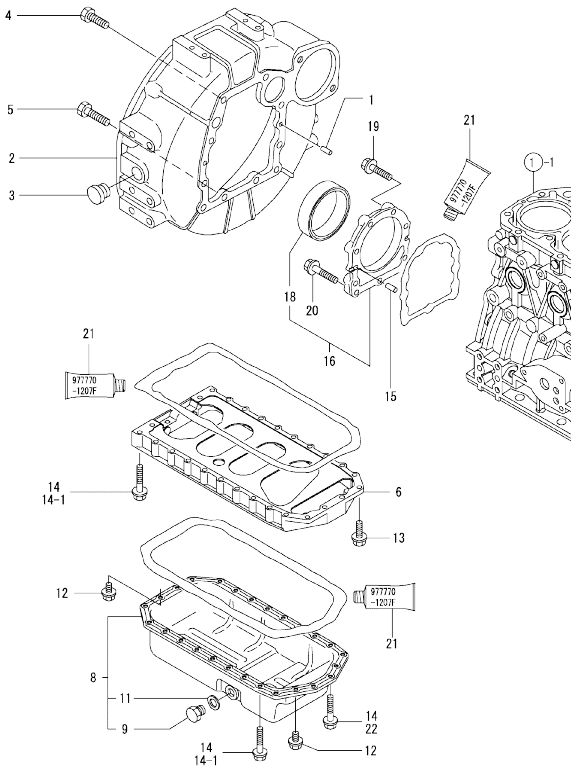
(D)=
(E)=
(F)=

No.	Lev.	Parts No.	Description	Qty						I	R	
				(A)	(B)	(C)	(D)	(E)	(F)			
1	1	719802-01500	CASE ASSY, GEAR	1								
4	2	23876-030000	PLUG, R03	1								
5	2	23876-040000	PLUG, R04	1								
6	2	129795-01800	SEAL, OIL	1								
7	1	119802-32100	COVER ASSY, PUMP	1								
8	2	119802-32070	COVER, OIL PUMP	1								
9	2	129900-32130	VALVE, RELIEF	1								
10	2	129418-32320	SPRING	1								
11	2	129001-32330	PLUG	1								
12	1	119802-01520	FLANGE, GEAR CASE	1								
13	1	119802-01561	STUD, M8X25	3								
14	1	124160-01751	CAP, FILLER	1								
15	1	124240-01871	COVER, HYDRAULIC PUMP	1								
16	1	129795-01950	PIPE, KNOCK L=18	2								
17	1	119609-32040	O-RING, P16	4								
18	1	119802-32111	ROTOR, INNER	1								
19	1	119802-32120	ROTOR, OUTER	1								
20	1	119802-32130	SCREW, M6X16	7								
21	1	121850-51960	O-RING, FUEL PUMP	1								
22	1	129001-91841	BOLT, M8X87	3								
23	1	24311-000320	O-RING, 1AP32.0	1								
24	1	26106-080162	BOLT, M8X 16 PLATED	4								
25	1	26106-080162	BOLT, M8X 16 PLATED	3								
26	1	26106-080552	BOLT, M8X 55 PLATED	12								
27	1	26306-080002	NUT, M8	3								
28	1	121023-01551	COVER, TACHOMETER	1								
29	1	24341-000240	O-RING, 1AS24.0	1								
30	1	26106-060162	BOLT, M6X 16 PLATED	2								
31	1	977770-1207F	GASKET, LIQUID	1								1

Remarks

(1)Optional parts.

Fig.3. FLYWHEEL HOUSING & OIL SUMP



(A)=4TNV88-GGEP
(B)=
(C)=

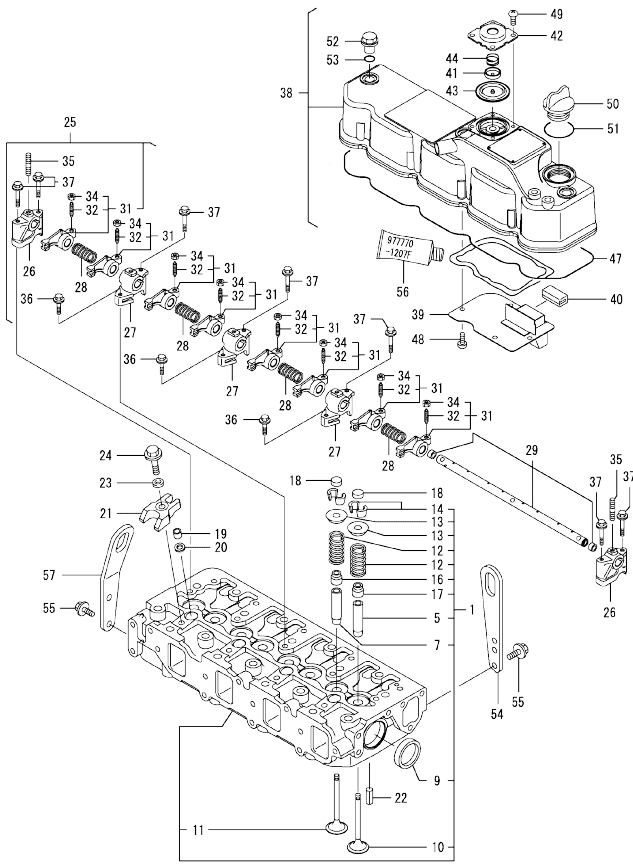
(D)=
(E)=
(F)=

No.	Lev.	Parts No.	Description	Q'ty						I	R
				(A)	(B)	(C)	(D)	(E)	(F)		
1	1	129100-01580	PIN, PARALLEL 8X16	2							
2	1	171420-01600	HOUSING, FLYWHEEL	1							
3	1	119620-01750	CAP, WHEEL COVER	1							
4	1	26206-100252	BOLT, M10X 25 PLATED	6							
5	1	26206-100302	BOLT, M10X 30 PLATED	4							
6	1	129400-01730	SPACER, OIL PAN	1							
8	1	129400-01770	OIL PAN ASSY	1							
8-1	1	129688-01780	OIL PAN ASSY	1							N
		(A=EN4686)									
9	2	119640-01640	PLUG, DRAIN M22	1							
11	2	22190-220002	WASHER, SEAL 22	1							
12	1	26106-080162	BOLT, M8X 16 PLATED	4							
13	1	26106-080252	BOLT, M8X 25 PLATED	2							
14	1	26106-080452	BOLT, M8X 45 PLATED	24							
14-1	1	26106-080452	BOLT, M8X 45 PLATED	20							K
		(A=FROM 1ST)									
15	1	129100-01580	PIN, PARALLEL 8X16	2							
16	1	129100-01640	CASE ASSY, OIL SEAL	1							
18	2	129795-01780	SEAL, OIL	1							
19	1	129486-01670	BOLT, M8X30	6							
20	1	26106-080352	BOLT, M8X 35 PLATED	3							
21	1	97770-1207F	GASKET, LIQUID	1							1
22	1	26106-080502	BOLT, M8X 50 PLATED	4							W
		(A=FROM 1ST)									

Remarks

(1)Optional parts.

Fig.4. CYLINDER HEAD & BONNET



(A)=4TNV88-GGEP
(B)=
(C)=

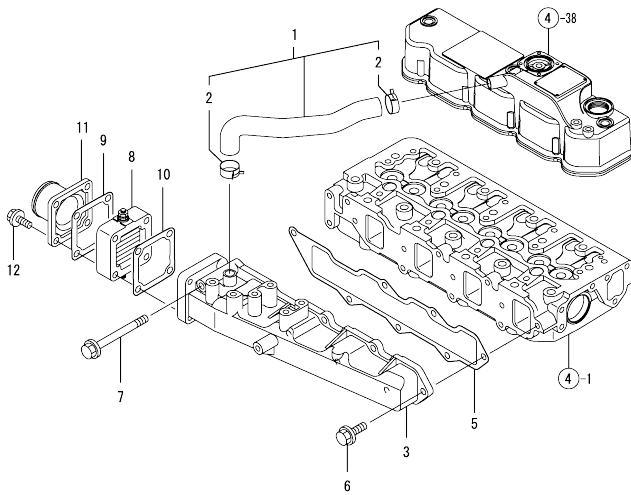
(D)=
(E)=
(F)=

No.	Lev.	Parts No.	Description	Q'ty						I	R
				(A)	(B)	(C)	(D)	(E)	(F)		
1	1	129601-11700	HEAD ASSY, CYLINDER	1							
5	2	120130-11860	GUIDE, VALVE	4							1
7	2	129150-11810	GUIDE, VALVE	4							1
9	2	27241-400000	PLUG, 40	2							
10	2	129004-11130	VALVE, INTAKE	4							
11	2	129100-11112	VALVE, EXHAUST	4							
12	2	129795-11120	SPRING, VALVE	8							
13	2	129795-11180	RETAINER, SPRING	8							
14	2	27310-080001	COTTER, 8	8							
16	2	121400-11340	SEAL, VALVE STEM	4							
17	2	124460-11340	SEAL, VALVE STEM	4							
18	1	129150-11370	CAP, VALVE	8							
19	1	119802-11870	PROTECTOR, NOZZLE	4							
20	1	119625-11880	SEAT, NOZZLE	4							
21	1	129004-11900	RETAINER, NOZZLE	4							
22	1	22351-060012	PIN, SPRING 6.0X12	2							
23	1	120270-54410	WASHER, INJECTOR	4							
24	1	26106-080352	BOLT, M8X 35 PLATED	4							
25	1	129601-11241	SHAFT ASSY, ROCKER	1							
26	2	119802-11260	SUPPORT, ROCKER ARM	2							
27	2	119802-11270	SUPPORT, ROCKER ARM	3							
28	2	129150-11280	SPRING, SHAFT	4							
29	2	129601-11251	SHAFT, ROCKER ARM	1							
31	2	129004-11650	ARM ASSY, ROCKER	8							
32	3	129150-11230	SCREW, VALVE ADJUST	8							
34	3	129150-11750	NUT, M8XP1.0	8							
35	2	26226-080182	STUD, M8X 18	3							
36	1	26106-080252	BOLT, M8X 25 PLATED	3							
37	1	26106-080502	BOLT, M8X 50 PLATED	7							
38	1	129601-11350	BONNET ASSY, HEAD	1							
39	2	129004-03010	PLATE, BAFFLE	1							
40	2	129150-03070	BAFFLE, BREATHER	1							
41	2	119802-03110	PLATE, DIAPHRAGM	1							
42	2	119802-03121	COVER, DIAPHRAGM	1							
43	2	119802-03130	DIAPHRAGM, BREATHER	1							
44	2	119802-03141	SPRING, DIAPHRAGM	1							
47	2	129601-11310	GASKET, BONNET	1							
48	2	22857-500100	SCREW, 5X10	4							
49	2	22857-500100	SCREW, 5X10	4							
50	1	124160-01751	CAP, FILLER	1							
51	1	24311-000320	O-RING, 1AP32.0	1							
52	1	124160-11360	KNOB, BONNET	3							
53	1	24311-000120	O-RING, 1AP12.0	3							
54	1	129900-07900	LIFTER, ENGINE	1							
55	1	26106-080162	BOLT, M8X 16 PLATED	4							
56	1	977770-1207F	GASKET, LIQUID	1							2
57	1	129930-07910	LIFTER, ENGINE	1							

Remarks

- (1) Spare parts.
- (2) Optional parts.

Fig.5. SUCTION MANIFOLD



(A)=4TNV88-GGEP
(B)=
(C)=

(D)=
(E)=
(F)=

No.	Lev.	Parts No.	Description	Q'ty					
				(A)	(B)	(C)	(D)	(E)	(F)
1	1	129601-03080	HOSE ASSY, BREATHER	1					
2	2	129410-03990	CLAMP, HOSE 21.5	2					
3	1	129601-12100	MANIFOLD, INTAKE	1					
5	1	129407-12110	GASKET, MANIFOLD	1					
6	1	26106-080202	BOLT, M8X 20 PLATED	6					
7	1	26106-080802	BOLT, M8X 80 PLATED	1					
8	1	129100-77500	HEATER, AIR 11V	1					
9	1	129100-77510	GASKET, AIR HEATER	1					
10	1	129150-77511	GASKET, AIR HEATER	1					
11	1	129486-12581	JOINT, MANIFOLD	1					
12	1	26106-080352	BOLT, M8X 35 PLATED	4					

Fig.6. EXHAUST MANIFOLD

(A)=4TNV88-GGEP
(B)=
(C)=

(D)=
(E)=
(F)=

No.	Lev.	Parts No.	Description	Q'ty						I	R
				(A)	(B)	(C)	(D)	(E)	(F)		
1	1	129601-13109	MANIFOLD, EXHAUST	1							
2	1	129550-13110	GASKET, MANIFOLD	1							
3	1	123900-13610	STUD, M8X80	2							
4	1	123900-13630	BOLT, M8X80	6							
5	1	119131-18320	STUD, M8X22	4							
6	1	26306-080002	NUT, M8	2							
7	1	129930-13201	GASKET, SILENCER	1							
8	1	114220-07130	LABEL, HOT SURFACE	1							W

(A=EXXXXX)

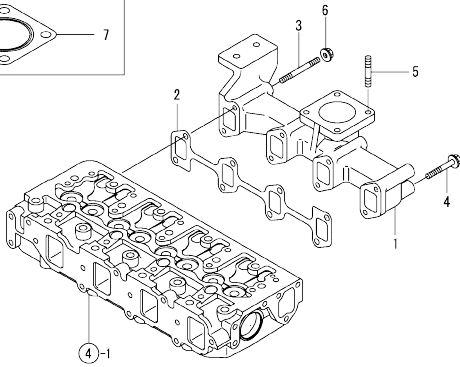
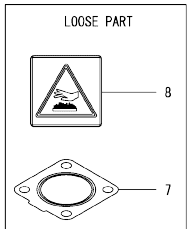
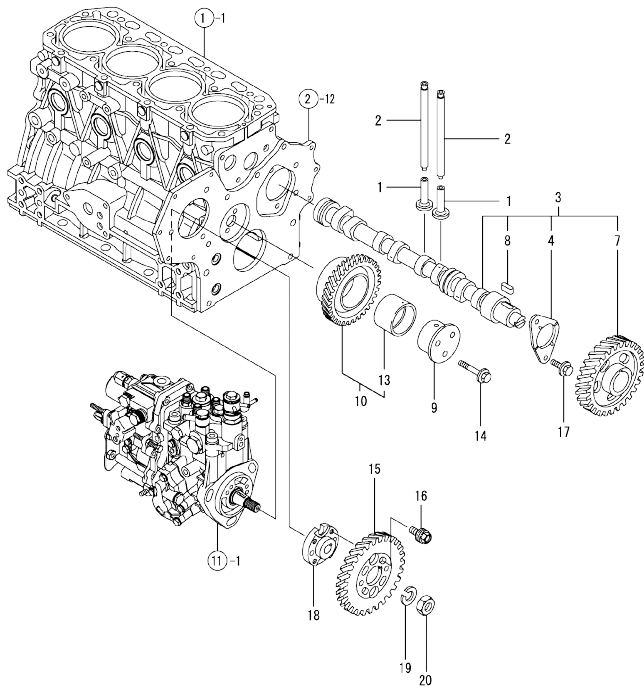


Fig.7. CAMSHAFT & DRIVING GEAR



(A)=4TNV88-GGEP
(B)=
(C)=

(D)=
(E)=
(F)=

No.	Lev.	Parts No.	Description	Q'ty						I	R
				(A)	(B)	(C)	(D)	(E)	(F)		
1	1	129150-14200	TAPPET	8							
2	1	129150-14400	ROD, PUSH L=178	8							
3	1	729601-14580	CAMSHAFT ASSY	1							
4	2	129150-02450	METAL, THRUST	1							
7	2	129150-14101	GEAR, CAMSHAFT	1							
8	2	22512-070140	KEY, 7X 14	1							
9	1	119802-25051	SHAFT, IDLE GEAR	1							
10	1	119802-25100	GEAR ASSY, IDLE	1							
13	2	119802-25070	BUSH, IDLE GEAR	1							1
14	1	26106-080402	BOLT, M8X 40 PLATED	3							
15	1	119802-25901	GEAR, PUMP	1							
16	1	129150-25301	BOLT, INJECTION PUMP	4							
17	1	26106-080142	BOLT, M8X 14 PLATED	2							
18	1	158552-51151	FLANGE, CAMSHAFT	1							
19	1	22217-140000	WASHER, SPRING 14	1							
20	1	26776-140002	NUT, LOCK M14	1							

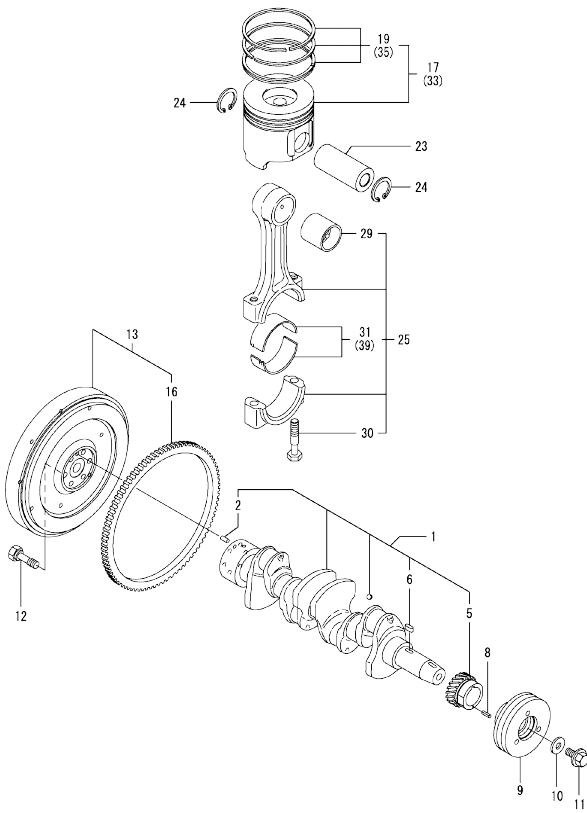
Remarks

(1)Spare parts.

Fig.8. CRANKSHAFT & PISTON

(A)=4TNV88-GGEP
(B)=
(C)=

(D)=
(E)=
(F)=

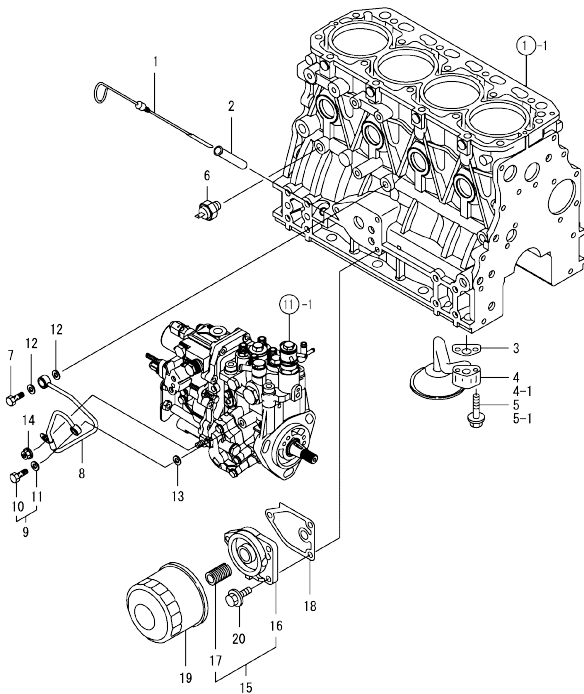


No.	Lev.	Parts No.	Description	Q'ty						I	R
				(A)	(B)	(C)	(D)	(E)	(F)		
1	1	129601-21002	CRANKSHAFT ASSY	1							
2	2	129100-01580	PIN, PARALLEL 8X16	1							
5	2	119802-21202	GEAR, CRANKSHAFT	1							
6	2	22512-070140	KEY, 7X 14	1							
8	1	22351-030010	PIN, SPRING 3.0X10	1							
9	1	119802-21660	V-PULLEY, CRANKSHAFT	1							
10	1	129795-21661	WASHER, 14	1							
11	1	121850-21680	BOLT, V-PULLEY	1							
12	1	121111-21501	BOLT, FLYWHEEL	6							
13	1	171420-21590	FLYWHEEL ASSY	1							
16	2	124550-21600	GEAR, RING Z=127	1							
17	1	129005-22080	PISTON ASSY	4							
19	2	129005-22500	RING SET, PISTON	4							
23	1	129202-22300	PIN, PISTON D26 L70	4							
24	1	22252-000260	RING, 26	8							
25	1	729402-23100	ROD ASSY, CONNECTING	4							
29	2	129100-23910	METAL, PISTON PIN	4							1
30	2	121550-23200	BOLT, CONNECTING ROD	8							
31	2	129150-23600	BEARING, CRANK PIN	4							
33	1	129005-22900	PISTON ASSY, 0.25 OS	4							2
35	2	129005-22950	RING SET, PISTON .25	4							2
39	1	129150-23610	METAL, CRANK PIN .25	4							3

Remarks

- (1) Spare parts.
- (2) Over-sized (O.S.=0.25) parts.
- (3) Under-sized (U.S.=0.25) parts.

Fig.9. LUB. OIL SYSTEM



(A)=4TNV88-GGEP
(B)=
(C)=

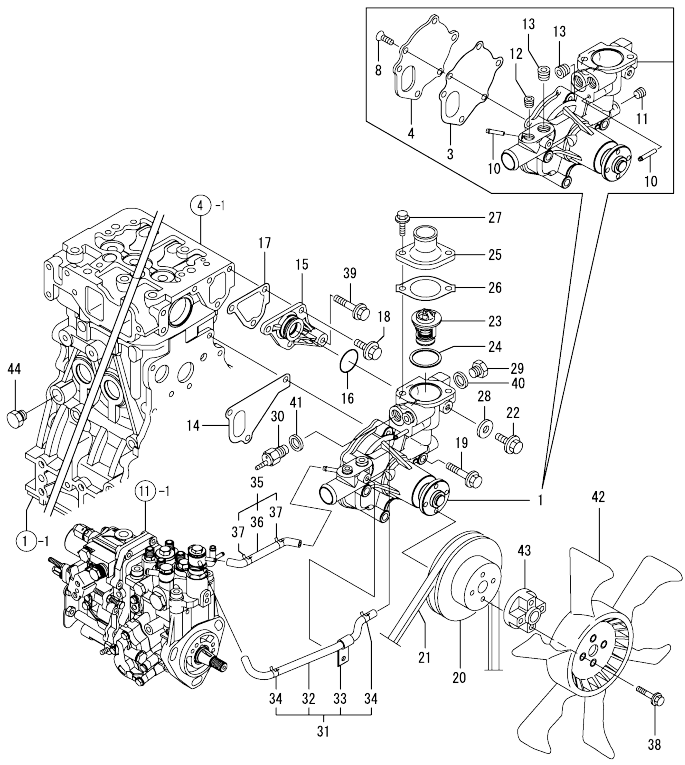
(D)=
(E)=
(F)=

No.	Lev.	Parts No.	Description	Q'ty						I	R
				(A)	(B)	(C)	(D)	(E)	(F)		
1	1	129004-34802	DIPSTICK, OIL	1							
2	1	121520-34810	GUIDE, DIPSTICK	1							
3	1	129150-35042	GASKET, INLET PIPE	1							
4	1	129436-35091	PIPE ASSY, OIL INLET	1							
4-1	1	129436-35070	PIPE ASSY, OIL INLET	1							S
(A=EZZZZZ)											
5	1	26106-080352	BOLT, M8X 35 PLATED	2							
5-1	1	26106-080552	BOLT, M8X 55 PLATED	2							S
(A=EZZZZZ)											
6	1	119761-39450	SWITCH, HYDRAULIC	1							
7	1	124160-39140	BOLT, PIPE JOINT M10	1							
8	1	119802-39450	PIPE ASSY, OIL	1							
9	1	129005-59830	BOLT ASSY, JOINT M8	1							
10	2	23857-030000	BOLT, JOINT 3	1							
11	2	22190-080002	WASHER, SEAL 8	1							
12	1	22190-100002	WASHER, SEAL 10	2							
13	1	22190-080002	WASHER, SEAL 8	1							
14	1	26366-060002	NUT, M6	1							
15	1	119802-35100	BRACKET ASSY, FILTER	1							
16	2	119802-35110	BRACKET, FILTER	1							
17	2	129100-35140	STUD	1							
18	1	129150-35111	GASKET, BRACKET	1							
19	1	129150-35170	FILTER ASSY, D80X80L	1							
20	1	26106-080202	BOLT, M8X 20 PLATED	3							

Remarks
(1)Spare parts.

N:Old $\frac{100}{100}$ New, Q:Old $\frac{100}{100}$ New, R:Old $\frac{100}{100}$ New, S:Old $\frac{100}{100}$ New, W:Add, Z:Discontinued, F:Interchangeable by set, K:Q'ty Change
Copyright (C) YANMAR CO., LTD. All Rights Reserved.

Fig.10. COOLING WATER SYSTEM



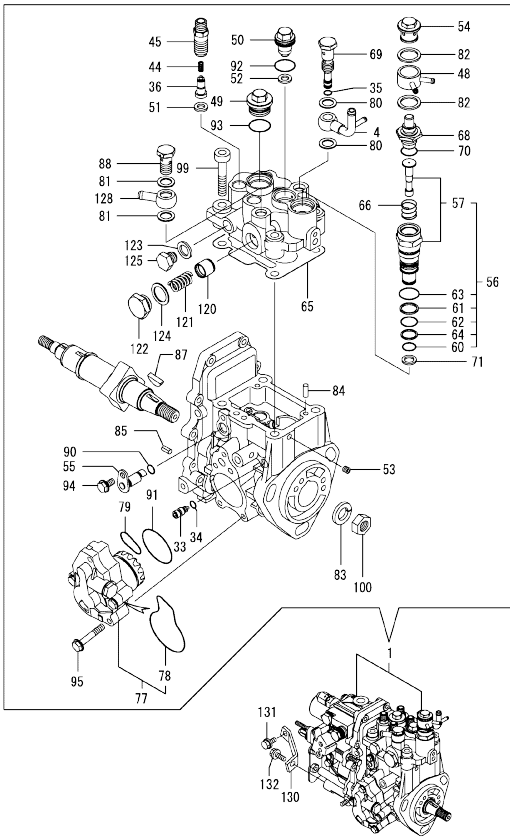
(A)=4TNV88-GGEP
(B)=
(C)=

(D)=
(E)=
(F)=

No.	Lev.	Parts No.	Description	Qty						I	R
				(A)	(B)	(C)	(D)	(E)	(F)		
1	1	129004-42001	PUMP ASSY, WATER	1							
3	2	129100-42051	GASKET, WATER PUMP	1							
4	2	129100-42121	PLATE, PUMP	1							
8	2	121850-42410	SCREW	3							
10	2	119802-49113	JOINT, PIPE	2							
11	2	23876-010000	PLUG, R01	1							
12	2	23876-020000	PLUG, R02	1							
13	2	129916-49740	PLUG, R3/8	2							
14	1	129486-42021	GASKET, WATER PUMP	1							
15	1	129004-42040	JOINT, WATER PIPE	1							
16	1	129486-42140	O-RING, G30	1							
17	1	124395-49840	GASKET, THERMOSTAT	1							
18	1	26106-080162	BOLT, M8X 16 PLATED	3							
19	1	26106-080602	BOLT, M8X 60 PLATED	3							
20	1	129155-42350	V-PULLEY, PUMP	1							
21	1	119831-42290	V-BELT, A37.5	1							
22	1	26106-080122	BOLT, M8X 12 PLATED	1							
23	1	129155-49801	THERMOSTAT, 71C	1							
24	1	129150-49811	GASKET, THERMOSTAT	1							
25	1	129350-49530	COVER, THERMOSTAT	1							
26	1	129795-49551	GASKET, COVER	1							
27	1	26106-080222	BOLT, M8X 22 PLATED	2							
28	1	23414-080000	GASKET, 8X1.0	1							
29	1	121450-42450	PLUG, M16	1							
30	1	121250-44901	SWITCH, TEMPERATURE	1							
31	1	129004-49610	HOSE ASSY, WATER A	1							
32	2	129004-49711	HOSE, WATER A	1							
33	2	119802-49730	RETAINER, PIPE	1							
34	2	124722-59050	CLAMP, HOSE 9	2							
35	1	129004-49620	HOSE ASSY, WATER B	1							
36	2	129004-49721	HOSE, WATER B	1							
37	2	124722-59050	CLAMP, HOSE 9	2							
38	1	26106-060302	BOLT, M6X 30 PLATED	4							
39	1	26106-080452	BOLT, M8X 45 PLATED	1							
40	1	124465-44950	GASKET, 16	1							
41	1	124465-44950	GASKET, 16	1							
42	1	129612-44700	FAN, COOLING	1							
43	1	121267-44760	SPACER, FAN 18MM	1							
44	1	171056-49120	PLUG, DRAIN R1/4	1							

N:Old $\frac{100}{100}$ New, Q:Old $\frac{100}{100}$ New, R:Old $\frac{100}{100}$ New, S:Old $\frac{100}{100}$ New, W:Add, Z:Discontinued, F:Interchangeable by set, K:Qty Change
Copyright (C) YANMAR CO., LTD. All Rights Reserved.

Fig.11. FUEL INJECTION PUMP



(A)=4TNV88-GGEP
(B)=
(C)=

(D)=
(E)=
(F)=

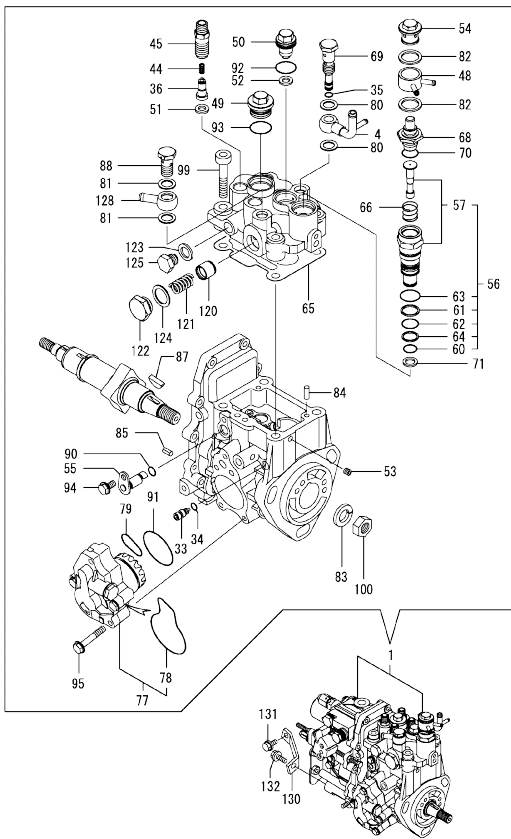
No.	Lev.	Parts No.	Description	Q'ty						I	R	
				(A)	(B)	(C)	(D)	(E)	(F)			
1	1	729647-51390	PUMP ASSY, INJECTION	1							1	
4	2	158552-51670	JOINT, OVERFLOW	1								
33	2	158600-51270	STOPPER, TAPPET	1								
34	2	158563-51281	O-RING, 4D S6	1								
35	2	158563-51281	O-RING, 4D S6	1								
36	2	158560-51300	VALVE ASSY, DELIVERY	4								
44	2	158563-51330	SPRING, DELIVERY	4								
45	2	158601-51340	HOLDER, DELIVERY	4								
48	2	158553-51551	JOINT, COOLING WATER	1								
49	2	158601-51550	PLUG, M22	1								
50	2	119802-51560	PLUG, BARREL M14	1								
51	2	158552-51570	GASKET, BARREL PLUG	4								
52	2	158552-51570	GASKET, BARREL PLUG	1								
53	2	158557-51570	PLUG, RACK	1								
54	2	158601-51570	PLUG	1								
55	2	158552-51580	LIFTER, LINK	1								
56	2	119802-51590	TIMER ASSY	1								
57	3	119802-51600	TIMER ASSY	1								
60	3	158553-51670	O-RING, PUMP TIMER	1								
61	3	119802-51680	RING, BACKUP	1								
62	3	119802-51690	O-RING, 1016	1								
63	3	24356-010200	O-RING, 4D1020	1								
64	3	24372-000150	RING, BACK UP T2P15	1								
65	2	158552-51600	GASKET, HEAD	1								
66	2	158553-51630	SPRING, TIMER	1								
68	2	158553-51640	ELEMENT, THERMOSTAT	1								
69	2	158601-51650	JOINT, OVERFLOW	1								
70	2	158553-51660	O-RING, P14	1								
71	2	158553-51680	GASKET, TIMER	1								
77	2	158552-52100	PUMP ASSY, FUEL FEED	1								
78	3	158552-52500	O-RING, PUMP INNER	1								
79	2	158552-52310	O-RING, FEED PUMP	1								
80	2	22190-120002	WASHER, SEAL 12	2								
81	2	22190-120002	WASHER, SEAL 12	2								
82	2	22190-180002	WASHER, SEAL 18	2								
83	2	22217-140000	WASHER, SPRING 14	1								
84	2	22312-050140	PIN, PARALLEL 5X14	2								
85	2	22351-050010	PIN, SPRING 5.0X10	2								
87	2	119802-51090	KEY, FEATHER 4X16	1								
88	2	23857-060000	BOLT, JOINT 6	1								
90	2	24311-000070	O-RING, 1AP7.0	1								
91	2	158552-52400	O-RING, 4E S42	1								
92	2	24356-010180	O-RING, 4D1018	1								
93	2	24356-010200	O-RING, 4D1020	1								
94	2	26106-060102	BOLT, M6X 10 PLATED	1								
95	2	158553-51770	BOLT	4								
99	2	26450-080452	BOLT, M8X 45	4								
100	2	26776-140002	NUT, LOCK M14	1								
120	2	158601-51770	PISTON, ACCUMULATOR	1								
121	2	158552-51780	SPRING, ACCUMULATOR	1								
122	2	158601-51790	PLUG, ACCUMULATOR	1								

Remarks

(1)Governor(Fig.12) is incorporated in this Fuel Injection Pump(No.1).

N:Old $\frac{100}{100}$ New, Q:Old $\frac{100}{100}$ New, R:Old $\frac{100}{100}$ New, S:Old $\frac{100}{100}$ New, W:Add, Z:Discontinued, F:Interchangeable by set, K:Q'ty Change
 ++ CONTINUE ++
 Copyright (C) YANMAR CO., LTD. All Rights Reserved.

Fig.11. FUEL INJECTION PUMP



(A)=4TNV88-GGEP
(B)=
(C)=

(D)=
(E)=
(F)=

No.	Lev.	Parts No.	Description	Q'ty						I	R
				(A)	(B)	(C)	(D)	(E)	(F)		
123	2	22190-120002	WASHER, SEAL 12	1							
124	2	22190-180002	WASHER, SEAL 18	1							
125	2	23887-120002	PLUG, 12	1							
128	2	129916-59020	JOINT, PIPE 12	1							
130	1	129601-51250	RETAINER, FUEL PUMP	1							
131	1	26106-080162	BOLT, M8X 16 PLATED	1							
132	1	26106-080202	BOLT, M8X 20 PLATED	1							

Remarks

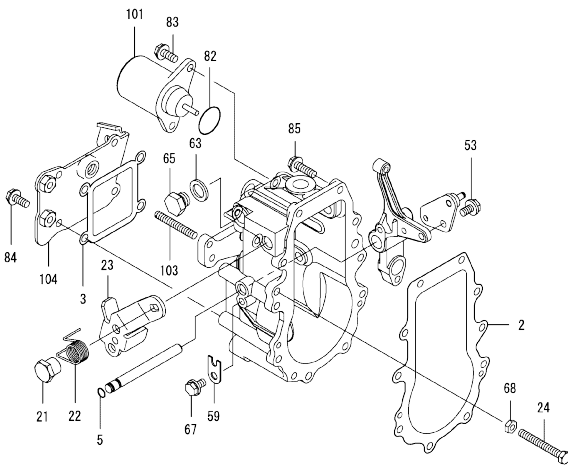
(1)Governor(Fig.12) is incorporated in this Fuel Injection Pump(No.1).

OCR10-M64100 ENGINE
 Fig.12. GOVERNOR

OCR10-M64100 Fig.12

(A)=4TNV88-GGEP
 (B)=
 (C)=

(D)=
 (E)=
 (F)=



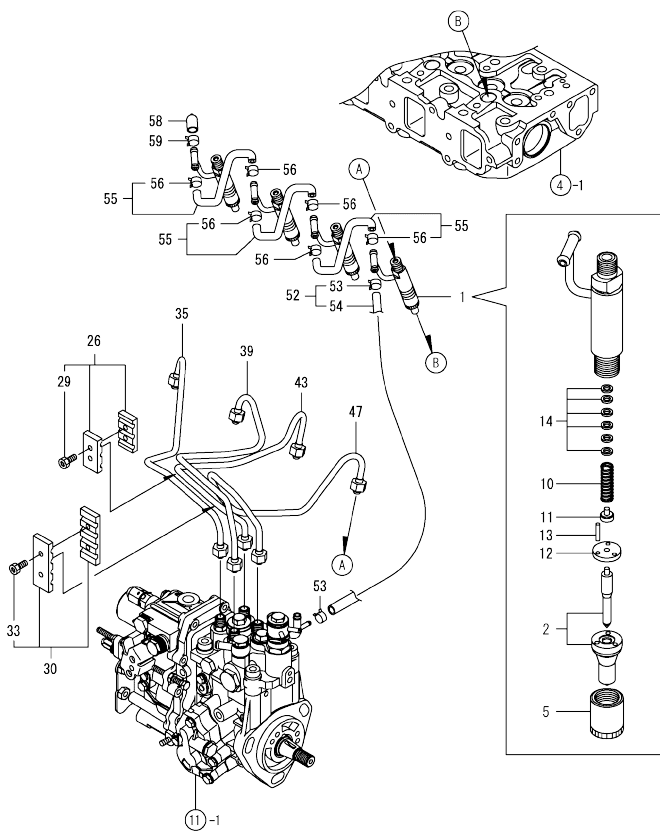
No.	Lev.	Parts No.	Description	Q'ty						I	R
				(A)	(B)	(C)	(D)	(E)	(F)		
2	2	158553-61050	GASKET, CASE	1							
3	2	158553-61070	GASKET, CASE	1							
5	2	129155-51280	O-RING, S6	1							
21	2	129255-61410	NUT, CONTROL LEVER	1							
22	2	119807-61420	SPRING, RETURN	1							
23	2	129246-61441	LEVER, REGULATOR	1							
24	2	129155-61460	BOLT, IDLE LIMIT	1							
53	2	26106-060102	BOLT, M6X 10 PLATED	1							
59	2	119660-61901	STOPPER, SHAFT	1							
63	2	22190-120000	WASHER, SEAL 12	1							
65	2	23887-120002	PLUG, 12	1							
67	2	26106-060102	BOLT, M6X 10 PLATED	1							
68	2	26756-060002	NUT, LOCK M6	1							
82	2	24341-000280	O-RING, 1AS28.0	1							
82-1	2	158552-61900	O-RING	1							N
(A=EXXXXX)											
83	2	26106-060142	BOLT, M6X 14 PLATED	2							
84	2	26106-060142	BOLT, M6X 14 PLATED	4							
85	2	26106-060202	BOLT, M6X 20 PLATED	10							
101	2	119653-77950	SOLENOID, STOP	1							
103	2	171002-66830	SCREW, ADJUSTER 6	1							
104	2	129246-61061	COVER, GOVERNOR CASE	1							

Remarks

* This figure(Governor) is incorporated in the Fuel Injection Pump(Fig.11).

N:Old $\frac{100}{100}$ New, Q:Old $\frac{100}{100}$ New, R:Old $\frac{100}{100}$ New, S:Old $\frac{100}{100}$ New, W:Add, Z:Discontinued, F:Interchangeable by set, K:Q'ty Change
 Copyright (C) YANMAR CO., LTD. All Rights Reserved.

Fig.13. FUEL INJECTION VALVE



(A)=4TNV88-GGEP
(B)=
(C)=

(D)=
(E)=
(F)=

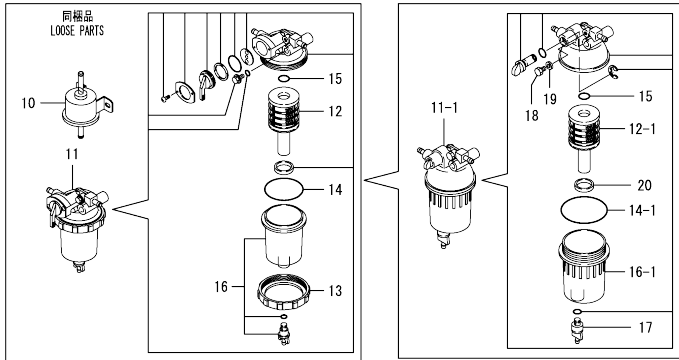
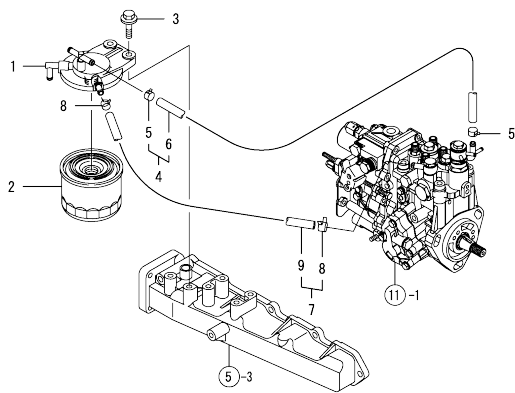
No.	Lev.	Parts No.	Description	Q'ty						I	R
				(A)	(B)	(C)	(D)	(E)	(F)		
1	1	729246-53101	VALVE ASSY,INJECTION	4							
2	2	129246-53001	VALVE ASSY,INJECTION	4							
5	2	114250-53080	NUT, NOZZLE	4							
10	2	114250-53120	SPRING, NOZZLE	4							
11	2	114250-53130	SEAT, SPRING	4							
12	2	114250-53140	SPACER, VALVE STOP	4							
13	2	114250-53210	PIN, POSITIONING	8							
14	2	114250-53400	SHIM SET	4							
26	1	129150-59120	RETAINER, PIPE	1							
29	2	129150-59131	BOLT, M4X14	2							
30	1	129550-59120	RETAINER, PIPE	1							
33	2	129150-59131	BOLT, M4X14	2							
35	1	129601-59810	PIPE ASSY, INJECTION	1							
39	1	129601-59820	PIPE ASSY, INJECTION	1							
43	1	129601-59830	PIPE ASSY, INJECTION	1							
47	1	129601-59840	PIPE ASSY, INJECTION	1							
52	1	119802-59550	HOSE ASSY, RETURN	1							
53	2	124722-59050	CLAMP, HOSE 9	2							
54	2	119802-59560	HOSE, FUEL RETURN	1							
55	1	129486-59551	HOSE ASSY, RETURN	3							
56	2	124722-59050	CLAMP, HOSE 9	6							
58	1	119593-59581	CAP, RETURN PIPE	1							
59	1	124060-77680	CLAMP, HOSE 10	1							

OCR10-M64100 ENGINE
Fig.14. FUEL PIPE

OCR10-M64100 Fig.14

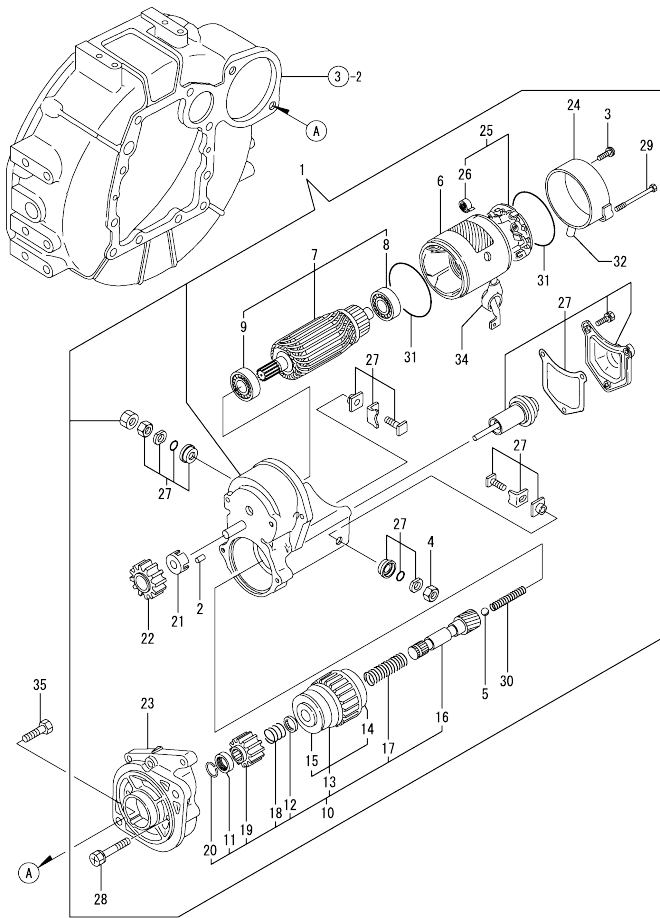
(A)=4TNV88-GGEP
(B)=
(C)=

(D)=
(E)=
(F)=



No.	Lev.	Parts No.	Description	Qty						I	R	
				(A)	(B)	(C)	(D)	(E)	(F)			
1	1	129004-55611	BRACKET, FILTER	1								
2	1	119802-55800	FILTER, FUEL	1								
3	1	26106-080302	BOLT, M8X 30 PLATED	2								
4	1	129210-59150	HOSE ASSY, FUEL L400	1								
5	2	124766-59050	CLAMP, HOSE 11.5	2								
6	2	105025-59530	HOSE, FUEL D13X400	1								
7	1	129210-59090	HOSE ASSY, FUEL L290	1								
8	2	124766-59050	CLAMP, HOSE 11.5	2								
9	2	105325-59570	PIPE, FUEL	1								
10	1	119225-52102	PUMP, FUEL FEED	1								
11	1	119802-55700	SEPARATOR ASSY,WATER	1								
11-1	1	129242-55700	SEPARATOR ASSY,WATER	1								N
(A=2008.08.)												
12	2	119802-55710	ELEMENT, FUEL	1								
12-1	2	129242-55730	ELEMENT, FUEL FILTER	1								S
(A=2008.08.)												
13	2	129100-55690	NUT, RETAINING	1								Z
(A=2008.08.)												
14	2	24321-000650	O-RING, 1AG65.0	1								
14-1	2	24321-000750	O-RING, 1AG75.0	1								S
(A=2008.08.)												
15	2	24311-000160	O-RING, 1AP16.0	1								
16	2	119802-55730	CUP ASSY, SEPARATOR	1								W
(A=FROM 1ST)												
16-1	2	129242-55720	CUP, SEPARATOR	1								S
(A=2008.08.)												
17	2	129242-55740	PLUG, DRAIN	1								W
(A=2008.08.)												
18	2	129242-55750	VALVE, AIR VENT	1								W
(A=2008.08.)												
19	2	129242-55760	GASKET, PLUG	1								W
(A=2008.08.)												
20	2	129242-55770	FLOAT	1								W
(A=2008.08.)												

Fig.15. STARTER MOTOR



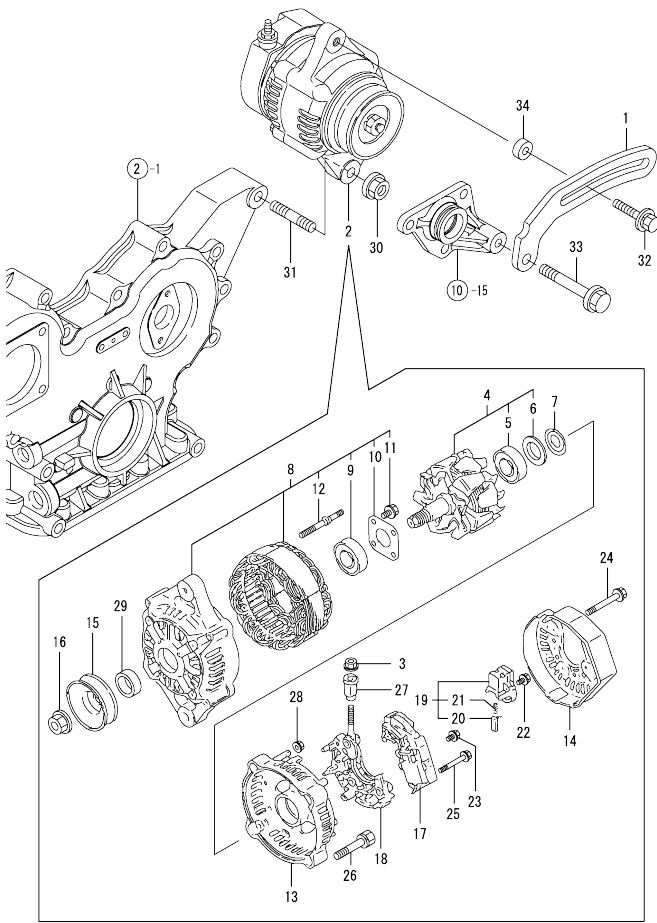
(A)=4TNV88-GGEP
(B)=
(C)=

(D)=
(E)=
(F)=

No.	Lev.	Parts No.	Description	Q'ty						I	R
				(A)	(B)	(C)	(D)	(E)	(F)		
1	1	129407-77010	STARTER, RA1.4	1							
2	2	X0283060061	ROLLER	5							
3	2	129129-77460	SCREW	2							
4	2	X9490561370	NUT	1							
5	2	X9491200240	BALL, STEEL	1							
6	2	129407-77210	YOKE ASSY	1							
7	2	129407-77220	ARMATURE ASSY	1							
8	3	129129-77230	BEARING, BALL	1							
9	3	129129-77240	BEARING, BALL	1							
10	2	129407-77250	STARTER	1							
11	3	X0280210230	NUT, PINION STOP	1							
12	3	X0283270140	RETAINER, SNAP	1							
13	3	129407-77390	CLUTCH ASSY, STARTER	1							
14	4	129129-77440	BEARING, BALL	1							
15	4	129129-77450	BEARING, BALL	1							
16	3	129129-77400	SHAFT, STARTER	1							
17	3	129129-77410	SPRING, COIL	1							
18	3	129407-77410	SPRING, COIL	1							
19	3	129129-77420	PINION, STARTER	1							
20	3	129129-77430	RING, SNAP	1							
21	2	129129-77260	RETAINER	1							
22	2	129129-77270	PINION	1							
23	2	129407-77280	HOUSING, STARTOR	1							
24	2	129407-77290	FRAME	1							
25	2	129407-77300	HOLDER ASSY	1							
26	3	X9491730461	SPRING, BRUSH	4							
27	2	129407-77310	SWITCH ASSY, MAGNET	1							
28	2	129129-77320	BOLT, W/WASHER	2							
29	2	129407-77330	BOLT	2							
30	2	129129-77340	SPRING	1							
31	2	129129-77350	O-RING	2							
32	2	129129-77362	COVER	1							
34	2	129129-77380	CAP	1							
35	1	26116-120252	BOLT, M12X 25 PLATED	2							

N:Old $\frac{New}{Old}$ New, Q:Old $\frac{New}{Old}$ New, R:Old $\frac{New}{Old}$ New, S:Old $\frac{New}{Old}$ New, W:Add, Z:Discontinued, F:Interchangeable by set, K:Q'ty Change
Copyright (C) YANMAR CO., LTD. All Rights Reserved.

Fig.16. GENERATOR



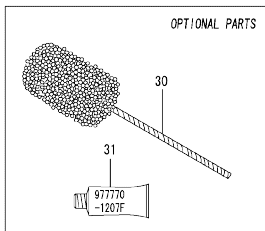
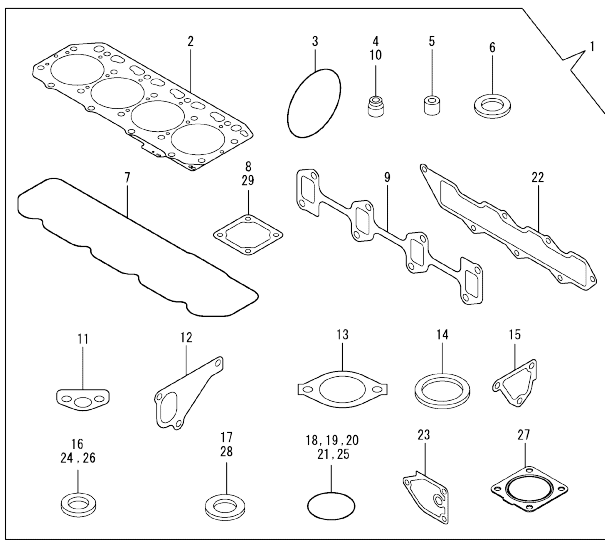
(A)=4TNV88-GGEP
(B)=
(C)=

(D)=
(E)=
(F)=

No.	Lev.	Parts No.	Description	Q'ty						I	R
				(A)	(B)	(C)	(D)	(E)	(F)		
1	1	119940-77330	ADJUSTER, BELT	1							
2	1	129423-77200	GENERATOR, 12V-40A	1							
3	2	X9490561001	NUT	1							
4	2	119620-77380	ROTOR ASSY	1							
5	3	123501-79240	BEARING, BALL	1							
6	3	119620-79250	COVER, BEARING	1							
7	2	119620-79360	WASHER, THRUST	1							
8	2	119620-77421	FRAME ASSY, DRIVE	1							
9	3	119620-79200	BEARING, BALL	1							
10	3	119620-79210	PLATE, RETAINER	1							
11	3	119620-79220	SCREW	4							
12	3	119620-79230	STUD	2							
13	2	119620-77440	FRAME ASSY, REAR	1							
14	2	129240-79300	COVER	1							
15	2	119620-77461	PULLEY, GENERATOR	1							
16	2	119620-77471	NUT	1							
17	2	129423-77710	REGULATOR ASSY	1							
18	2	119620-79260	HOLDER ASSY	1							
19	2	129052-79270	HOLDER ASSY, BRUSH	1							
20	3	119620-77480	BRUSH ASSY, SUB	2							
21	3	119620-79280	SPRING	2							
22	2	119620-79290	SCREW	6							
23	2	119620-79300	SCREW	1							
24	2	119620-79310	BOLT	3							
25	2	119620-79320	SCREW, W/WASHER	2							
26	2	119620-79330	BOLT	2							
27	2	119620-79340	BUSH, INSULATION	1							
28	2	119620-79350	NUT	2							
29	2	119620-77490	COLLAR	1							
30	1	26306-100002	NUT, M10	1							
31	1	129795-01900	BOLT, M10X30	1							
32	1	129972-77341	BOLT, ADJUSTER L=50	1							
33	1	26106-080452	BOLT, M8X 45 PLATED	1							
34	1	119940-77270	SPACER, GENERATOR	1							

N:Old $\frac{100}{100}$ New, Q:Old $\frac{100}{100}$ New, R:Old $\frac{100}{100}$ New, S:Old $\frac{100}{100}$ New, W:Add, Z:Discontinued, F:Interchangeable by set, K:Q'ty Change
Copyright (C) YANMAR CO., LTD. All Rights Reserved.

Fig.17. GASKET SET



(A)=4TNV88-GGEP
(B)=
(C)=

(D)=
(E)=
(F)=

No.	Lev.	Parts No.	Description	Qty						I	R	
				(A)	(B)	(C)	(D)	(E)	(F)			
1	1	729150-92740	GASKET SET	1							1	
2	2	129407-01340	GASKET, HEAD	1								
3	2	121850-51960	O-RING, FUEL PUMP	1								
4	2	124460-11340	SEAL, VALVE STEM	4								
5	2	119802-11870	PROTECTOR, NOZZLE	4								
6	2	119625-11880	SEAT, NOZZLE	4								
7	2	129601-11310	GASKET, BONNET	1								
8	2	129150-77511	GASKET, AIR HEATER	1								
9	2	129550-13110	GASKET, MANIFOLD	1								
10	2	121400-11340	SEAL, VALVE STEM	4								
11	2	129150-35042	GASKET, INLET PIPE	1								
12	2	129486-42021	GASKET, WATER PUMP	1								
13	2	129795-49551	GASKET, COVER	1								
14	2	129150-49811	GASKET, THERMOSTAT	1								
15	2	124395-49840	GASKET, THERMOSTAT	1								
16	2	22190-080002	WASHER, SEAL 8	2								
17	2	124465-44950	GASKET, 16	2								
18	2	24311-000120	O-RING, 1AP12.0	3								
19	2	24311-000320	O-RING, 1AP32.0	2								
20	2	24341-000240	O-RING, 1AS24.0	1								
21	2	129486-42140	O-RING, G30	1								
22	2	129407-12110	GASKET, MANIFOLD	1								
23	2	129150-35111	GASKET, BRACKET	1								
24	2	22190-220002	WASHER, SEAL 22	1								
25	2	119609-32040	O-RING, P16	4								
26	2	22190-100002	WASHER, SEAL 10	2								
27	2	129930-13201	GASKET, SILENCER	1								
28	2	23414-080000	GASKET, 8X1.0	1								
29	2	129100-77510	GASKET, AIR HEATER	1								
30	1	129400-92430	HONE, FLEX	1								1
31	1	977770-1207F	GASKET, LIQUID	1								1

Remarks

(1)Optional parts.

Parts No. Index

Parts No.	Fig. No.	Ref. No.
105025-59530	14	6
105325-59570	14	9
114220-07130	6	8
114250-53080	13	5
114250-53120	13	10
114250-53130	13	11
114250-53140	13	12
114250-53210	13	13
114250-53400	13	14
119131-18320	6	5
119225-52102	14	10
119593-59581	13	58
119609-32040	2	17
	17	25
119620-01750	3	3
119620-77380	16	4
119620-77421	16	8
119620-77440	16	13
119620-77461	16	15
119620-77471	16	16
119620-77480	16	20
119620-77490	16	29
119620-79200	16	9
119620-79210	16	10
119620-79220	16	11
119620-79230	16	12
119620-79250	16	6
119620-79260	16	18
119620-79280	16	21
119620-79290	16	22
119620-79300	16	23
119620-79310	16	24
119620-79320	16	25
119620-79330	16	26
119620-79340	16	27
119620-79350	16	28
119620-79360	16	7
119625-11880	4	20
	17	6
119640-01640	3	9
119653-77950	12	101
119660-61901	12	59
119761-39450	9	6
119802-01520	2	12
119802-01561	2	13
119802-03110	4	41
119802-03121	4	42
119802-03130	4	43
119802-03141	4	44
119802-11260	4	26

Parts No.	Fig. No.	Ref. No.
119802-11270	4	27
119802-11870	4	19
	17	5
119802-21202	8	5
119802-21660	8	9
119802-25051	7	9
119802-25070	7	13
119802-25100	7	10
119802-25901	7	15
119802-32070	2	8
119802-32100	2	7
119802-32111	2	18
119802-32120	2	19
119802-32130	2	20
119802-35100	9	15
119802-35110	9	16
119802-39450	9	8
119802-49113	10	10
119802-49730	10	33
119802-51090	11	87
119802-51560	11	50
119802-51590	11	56
119802-51600	11	57
119802-51680	11	61
119802-51690	11	62
119802-55700	14	11
119802-55710	14	12
119802-55730	14	16
119802-55800	14	2
119802-59550	13	52
119802-59560	13	54
119807-61420	12	22
119831-42290	10	21
119940-77270	16	34
119940-77330	16	1
120130-11860	4	5
120270-54410	4	23
121023-01551	2	28
121111-21501	8	12
121250-44901	10	30
121267-44760	10	43
121400-11340	4	16
	17	10
121450-42450	10	29
121520-34810	9	2
121550-23200	8	30
121850-21680	8	11
121850-42410	10	8
121850-51960	2	21
	17	3

Parts No.	Fig. No.	Ref. No.
123501-79240	16	5
123900-13610	6	3
123900-13630	6	4
124060-01050	1	10
124060-77680	13	59
124160-01751	2	14
	4	50
124160-01910	1	5
	15	15
124160-11360	4	52
124160-39140	9	7
124240-01871	2	15
124395-49840	10	17
	17	15
124460-11340	4	17
	17	4
124465-44950	10	40
	41	41
	17	17
124550-21600	8	16
124722-59050	10	34
	37	37
	13	53
	56	56
124766-59050	14	5
	8	8
129001-01250	1	11
129001-02930	1	25
129001-32330	2	11
129001-91841	2	22
129004-01190	1	33
129004-03010	4	39
129004-11130	4	10
129004-11650	4	31
129004-11900	4	21
129004-34802	9	1
129004-42001	10	1
129004-42040	10	15
129004-49610	10	31
129004-49620	10	35
129004-49711	10	32
129004-49721	10	36
129004-55611	14	1
129005-22080	8	17
129005-22500	8	19
129005-22900	8	33
129005-22950	8	35
129005-59830	9	9
129052-79270	16	19
129100-01580	3	1

Parts No.	Fig. No.	Ref. No.
129100-01580	3	15
	8	2
129100-01640	3	16
129100-11112	4	11
129100-23910	8	29
129100-35140	9	17
129100-42051	10	3
129100-42121	10	4
129100-55690	14	13
129100-77500	5	8
129100-77510	5	9
	17	29
129129-77230	15	8
129129-77240	15	9
129129-77260	15	21
129129-77270	15	22
129129-77320	15	28
129129-77340	15	30
129129-77350	15	31
129129-77362	15	32
129129-77380	15	34
129129-77400	15	16
129129-77410	15	17
129129-77420	15	19
129129-77430	15	20
129129-77440	15	14
129129-77450	15	15
129129-77460	15	3
129150-01200	1	31
129150-02020	1	7
129150-02450	7	4
129150-02870	1	34
129150-02930	1	28
129150-02940	1	37
129150-03070	4	40
129150-11230	4	32
129150-11280	4	28
129150-11370	4	18
129150-11750	4	34
129150-11810	4	7
129150-14101	7	7
129150-14200	7	1
129150-14400	7	2
129150-23600	8	31
129150-23610	8	39
129150-25301	7	16
129150-35042	9	3
	17	11
129150-35111	9	18
	17	23

Parts No. Index

Parts No.	Fig. No.	Ref. No.
129150-35170	9	19
129150-49811	10	24
	17	14
129150-59120	13	26
129150-59131	13	29
		33
129150-77511	5	10
	17	8
129155-42350	10	20
129155-49801	10	23
129155-51280	12	5
129155-61460	12	24
129202-22300	8	23
129210-59090	14	7
129210-59150	14	4
129240-79300	16	14
129242-55700	14	11 -1
129242-55720	14	16 -1
129242-55730	14	12 -1
129242-55740	14	17
129242-55750	14	18
129242-55760	14	19
129242-55770	14	20
129246-53001	13	2
129246-61061	12	104
129246-61441	12	23
129255-61410	12	21
129350-49530	10	25
129400-01730	3	6
129400-01770	3	8
129400-92430	17	30
129407-01340	1	32
	17	2
129407-12110	5	5
	17	22
129407-77010	15	1
129407-77210	15	6
129407-77220	15	7
129407-77250	15	10
129407-77280	15	23
129407-77290	15	24
129407-77300	15	25
129407-77310	15	27
129407-77330	15	29
129407-77390	15	13
129407-77410	15	18
129410-03990	5	2
129418-32320	2	10
129423-77200	16	2
129423-77710	16	17

Parts No.	Fig. No.	Ref. No.
129436-35070	9	4 -1
129436-35091	9	4
129486-01670	3	19
129486-12581	5	11
129486-42021	10	14
	17	12
129486-42140	10	16
	17	21
129486-59551	13	55
129550-13110	6	2
	17	9
129550-59120	13	30
129601-03080	5	1
129601-11241	4	25
129601-11251	4	29
129601-11310	4	47
	17	7
129601-11350	4	38
129601-11700	4	1
129601-12100	5	3
129601-13109	6	1
129601-21002	8	1
129601-51250	11	130
129601-59810	13	35
129601-59820	13	39
129601-59830	13	43
129601-59840	13	47
129612-44700	10	42
129688-01780	3	8 -1
129795-01780	3	18
129795-01800	2	6
129795-01900	16	31
129795-01950	2	16
129795-02411	1	14
129795-11120	4	12
129795-11180	4	13
129795-21661	8	10
129795-49551	10	26
	17	13
129900-07900	4	54
129900-32130	2	9
129916-49740	10	13
129916-59020	11	128
129930-07910	4	57
129930-13201	6	7
	17	27
129972-77341	16	32
158552-51151	7	18
158552-51570	11	51
		52

Parts No.	Fig. No.	Ref. No.
158552-51580	11	55
158552-51600	11	65
158552-51670	11	4
158552-51780	11	121
158552-52100	11	77
158552-52310	11	79
158552-52400	11	91
158552-52500	11	78
158552-61900	12	82 -1
158553-51551	11	48
158553-51630	11	66
158553-51640	11	68
158553-51660	11	70
158553-51670	11	60
158553-51680	11	71
158553-51770	11	95
158553-61050	12	2
158553-61070	12	3
158557-51570	11	53
158560-51300	11	36
158563-51281	11	34
		35
158563-51330	11	44
158600-51270	11	33
158601-51340	11	45
158601-51550	11	49
158601-51570	11	54
158601-51650	11	69
158601-51770	11	120
158601-51790	11	122
171002-66830	12	103
171051-01921	1	6
171056-49120	10	44
171420-01600	3	2
171420-21590	8	13
22190-080002	9	11
		13
	17	16
22190-100002	9	12
	17	26
22190-120000	12	63
22190-120002	11	80
		81
		123
22190-180002	11	82
		124
22190-220002	3	11
	17	24
22217-140000	7	19
	11	83

Parts No.	Fig. No.	Ref. No.
22252-000260	8	24
22312-050140	11	84
22351-030010	8	8
22351-050010	11	85
22351-060012	4	22
22512-070140	7	8
	8	6
22857-500100	4	48
		49
23414-080000	10	28
	17	28
23857-030000	9	10
23857-060000	11	88
23876-010000	10	11
23876-020000	10	12
23876-030000	2	4
23876-040000	2	5
23887-120002	11	125
	12	65
24311-000070	11	90
24311-000120	4	53
	17	18
24311-000160	14	15
24311-000320	2	23
	4	51
	17	19
24321-000650	14	14
24321-000750	14	14 -1
24341-000240	2	29
	17	20
24341-000280	12	82
24356-010180	11	92
24356-010200	11	63
		93
24372-000150	11	64
26106-060102	11	94
	12	53
		67
26106-060142	12	83
		84
26106-060162	2	30
26106-060202	12	85
26106-060302	10	38
26106-080122	10	22
26106-080142	7	17
26106-080162	2	24
		25
	3	12
	4	55
	10	18

Parts No. Index

Parts No.	Fig. No.	Ref. No.
26106-080162	11	131
26106-080202	5	6
	9	20
	11	132
26106-080222	10	27
26106-080252	3	13
	4	36
26106-080302	14	3
26106-080352	3	20
	4	24
	5	12
	9	5
26106-080402	7	14
26106-080452	3	14
	14	-1
	10	39
	16	33
26106-080502	3	22
	4	37
26106-080552	2	26
	9	5 -1
26106-080602	10	19
26106-080802	5	7
26116-120252	15	35
26206-100252	3	4
26206-100302	3	5
26226-080182	4	35
26306-080002	2	27
	6	6
26306-100002	16	30
26366-060002	9	14
26450-080452	11	99
26756-060002	12	68
26776-140002	7	20
	11	100
27241-120000	1	12
27241-300000	1	13
27241-400000	4	9
27310-080001	4	14
719802-01500	2	1
729150-92740	17	1
729246-53101	13	1
729402-23100	8	25
729601-14580	7	3
729602-01560	1	1
729647-51390	11	1
977770-1207F	2	31
	3	21
	4	56
	17	31

Parts No.	Fig. No.	Ref. No.
X0280210230	15	11
X0283060061	15	2
X0283270140	15	12
X9490561001	16	3
X9490561370	15	4
X9491200240	15	5
X9491730461	15	26

Parts No.	Fig. No.	Ref. No.
-----------	----------	----------

Parts No.	Fig. No.	Ref. No.
-----------	----------	----------