

0CW10-M36500EN

# P R E F A C E

1. This parts Catalog carries all parts incorporated in YANMAR Model 4TNV88-GGEA engine manufactured since May,2008.
2. Each illustration corresponds to the parts list on the following page.
3. When ordering parts, clearly write down the engine model and serial number, as well as the name and number of each part in your order sheet. This will help insure reliable delivery of the parts you have ordered.

## Directions for the Parts Catalog.

1. The parts stipulated in this Parts Catalog are not necessarily standard equipped parts.
2. Parts may change without prior notice.
3. The following is an example of the Parts Catalog format.

REF.	LEV.	PARTS NO.	DESCRIPTION	Q'TY						I	R
				(A)	(B)	(C)	(D)	(E)	(F)		
1	1	729595-51390	FUEL INJECTION PUMP	1	1	1	1	1			1
1-1	1	729595-51391	FUEL INJECTION PUMP	1	1	1	1	1		N	1
		(A=E00185) (B=E00200)									
3	2	26022-060162	SCREW M 6X 16	9	9	9	9	9			
3-1	2	26022-060162	SCREW M 6X 16	4	4	4	4	4		K	
		(A=E00156) (B=E00156) (C=E00156) (D=E00156) (E=E00156)									
4	2	129470-51040	CAMSHAFT	1	1	1	1	1			
5	2	122710-51050	BEARING, ROLLER	2	2	2	2	2			
6	2	129470-51060	RETAINER	1	1	1	1	1			

Remarks
(1) BOOST COMPEMSATOR TYPE. OPTIONAL PART, TO E00155,(4JH-DT, 4JH-DTZ

### ① Ref. No.

The Ref. No. listed may not be in accordance with the illustration Ref. No.

(Ex.) Illustration No.

List Ref No.

1 1 (Before change) → 1-1 (After change)

For interchangeable symbols N, R and K, illustrations for new parts may be abbreviated.

### ② Lev. (Level)

Level indication

The numbers below indicate the level of relativity towards the main part.

1 ---- Main parts (Assembly parts)

2 ---- Sub component included in " 1 ".

3 ---- Sub component included in " 2 ".

Note) Parts that are not for sale are partially illustrated but not listed.

### ③ Interchangeability Mark

When a part change takes place, one of the following interchangeability symbols is indicated beside the part.

Symbol	Interchangeability	Contents note
N	Old $\begin{matrix} \leftarrow \text{Yes} \\ \text{No} \rightarrow \end{matrix}$ New	New Part is interchangeable for Old Part but Old Part is not interchangeable for New Part.
Q	Old $\begin{matrix} \leftarrow \text{No} \\ \text{Yes} \rightarrow \end{matrix}$ New	New Part is not interchangeable for Old Part but Old Part is interchangeable for New Part.
R	Old $\begin{matrix} \leftarrow \text{Yes} \\ \text{Yes} \rightarrow \end{matrix}$ New	New/ Old Parts are both interchangeable.
S	Old $\begin{matrix} \leftarrow \text{No} \\ \text{No} \rightarrow \end{matrix}$ New	New/ Old Parts are both not interchangeable.
W		Part newly added.
Z		Part discontinued.
F		Not interchangeable by a single part but interchangeable together with related parts.
K		Changes only for used parts quantities.

### ④ Effective Machine No.

When a part changes, the effective Machine No. will be indicated in the (A)-(F) column.

Product Symbol	Product No.	Product Symbol	Product No.
C	Clutch No. Compressor No.	F	Machine No. (Agricultural Equip.)
D	Drive No.	M	Machine No.
E	Engine No.		

Note 1) A date may follow the symbol. (Ex.) 1996.01

Note 2) " XXXXX " and " ZZZZZ " are for parts that could not be predicted or for engine models that could not be identified.

Note 3) (A=E00185) is the E (Engine Serial Number) for the column (A) model (in this case 4JH-DT) after the parts design change.

### ⑤ Remarks Mark

Figures or alphabets (symbols) are entered in the remarks column.

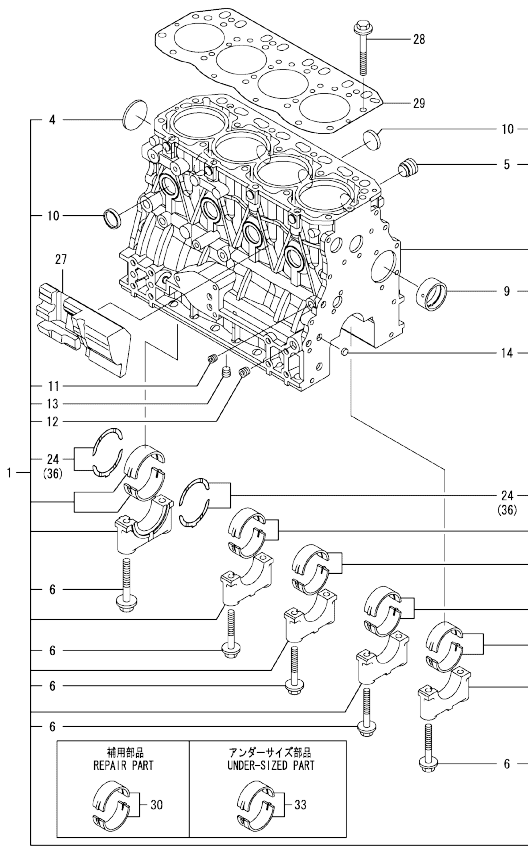
The comments (remarks) on parts that are indicated at the bottom of the illustration are the same symbols as those stated above.

## Contents

0CW10-M36500

Fig. No.	Fig. Name	Fig. No.	Fig. Name
4	TNV88-GGEA		
1.	CYLINDER BLOCK		
2.	GEAR HOUSING		
3.	FLYWHEEL HOUSING & OIL SUMP		
4.	CYLINDER HEAD & BONNET		
5.	SUCTION MANIFOLD & AIR CLEANER		
6.	EXHAUST MANIFOLD		
7.	CAMSHAFT & DRIVING GEAR		
8.	CRANKSHAFT & PISTON		
9.	LUB.OIL SYSTEM		
10.	COOLING WATER SYSTEM		
11.	FUEL INJECTION PUMP		
12.	GOVERNOR		
13.	FUEL INJECTION VALVE		
14.	FUEL LINE		
15.	STARTING MOTOR		
16.	GENERATOR		
17.	GASKET SET		

Fig.1. CYLINDER BLOCK



(A)=4TNV88-GGEA  
(B)=  
(C)=

(D)=  
(E)=  
(F)=

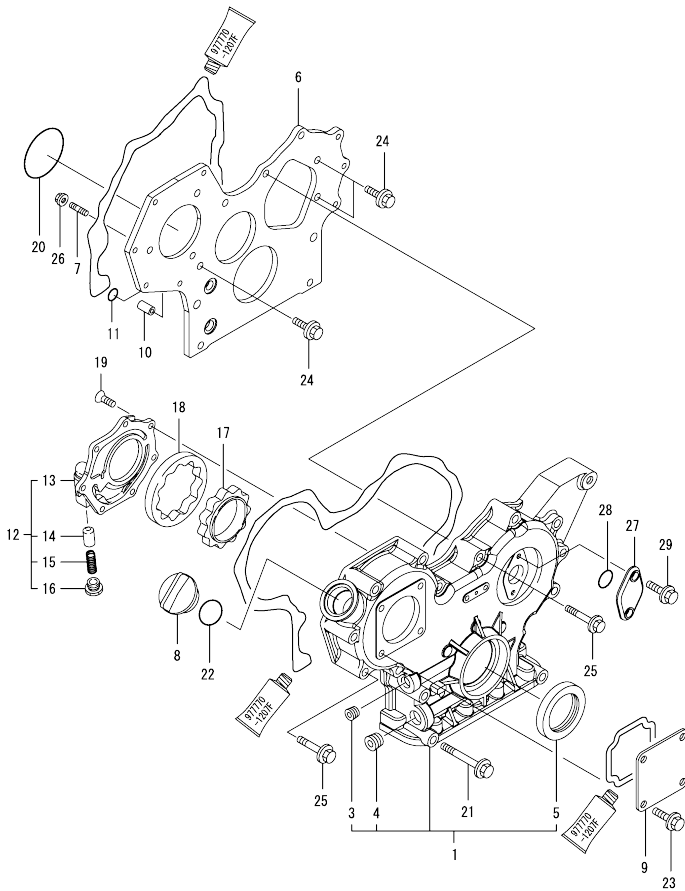
No.	Lev.	Parts No.	Description	Q'ty						I	R
				(A)	(B)	(C)	(D)	(E)	(F)		
1	1	729602-01560	BLOCK ASSY, CYLINDER	1							
4	2	129001-01250	PLUG, 50	1							
5	2	171051-01921	PLUG, NPTF1	1							
6	2	129150-02020	BOLT, METAL CAP	10							
9	2	129795-02412	BUSH, CAMSHAFT	1							
10	2	27241-300000	PLUG 30	8							
11	2	124060-01050	PLUG, PT1/8	1							
12	2	124160-01910	PLUG, PT1/4	2							
13	2	124160-01910	PLUG, PT1/4	1							
14	2	27241-120000	PLUG, 12	2							
24	2	129150-02931	BEARING, THRUST	2							
27	1	129004-01190	SPACER	1							
28	1	129150-01200	BOLT, HEAD	18							
29	1	129407-01340	GASKET, HEAD	1							
30	1	129001-02931	BEARING, MAIN	5							1
33	1	129150-02871	BEARING, 0.25 US	5							2
36	1	129150-02941	BEARING, THRUST 0.25	1							3

Remarks

- (1) REPAIR PART.
- (2) UNDER-SIZED(U.S=0.25)PART.
- (3) OVER-SIZED(O.S=0.25)PART.

0CW10-M36500 4TNV88-GGEA  
 Fig.2. GEAR HOUSING

0CW10-M36500 Fig.2



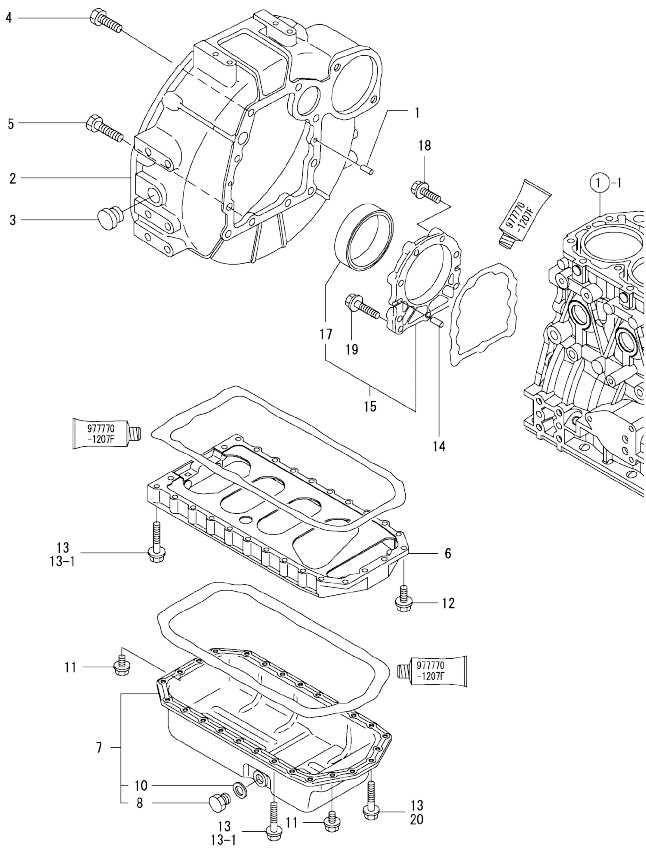
(A)=4TNV88-GGEA  
 (B)=  
 (C)=

(D)=  
 (E)=  
 (F)=

No.	Lev.	Parts No.	Description	Q'ty						I	R
				(A)	(B)	(C)	(D)	(E)	(F)		
1	1	719802-01500	CASE ASSY, GEAR	1							
3	2	23876-030000	PLUG, R03	1							
4	2	23876-040000	PLUG, R04	1							
5	2	119934-01800	SEAL, OIL	1							
6	1	119802-01520	FLANGE, GEAR CASE	1							
7	1	119802-01561	STUD, M8X25	3							
8	1	124160-01751	COVER, FILLER	1							
9	1	124240-01871	COVER	1							
10	1	129795-01950	PIPE, KNOCK L=18	2							
11	1	119609-32040	O-RING, P16	4							
12	1	119802-32100	COVER ASSY	1							
13	2	119802-32070	COVER	1							
14	2	129900-32130	VALVE, RELIEF	1							
15	2	129418-32320	SPRING	1							
16	2	129001-32330	PLUG	1							
17	1	119802-32111	ROTOR, INNER	1							
18	1	119802-32120	ROTOR, OUTER	1							
19	1	119802-32130	SCREW, M6X16	7							
20	1	121850-51960	O-RING	1							
21	1	129001-91841	BOLT, M8X85	3							
22	1	24311-000320	O-RING, 1AP32.0	1							
23	1	26106-080162	BOLT, M8X 16 PLATED	4							
24	1	26106-080162	BOLT, M8X 16 PLATED	3							
25	1	26106-080552	BOLT, M8X 55 PLATED	12							
26	1	26306-080002	NUT, M8	3							
27	1	121023-01551	COVER	1							
28	1	24341-000240	O-RING, 1AS24.0	1							
29	1	26106-060162	BOLT, M6X 16 PLATED	2							

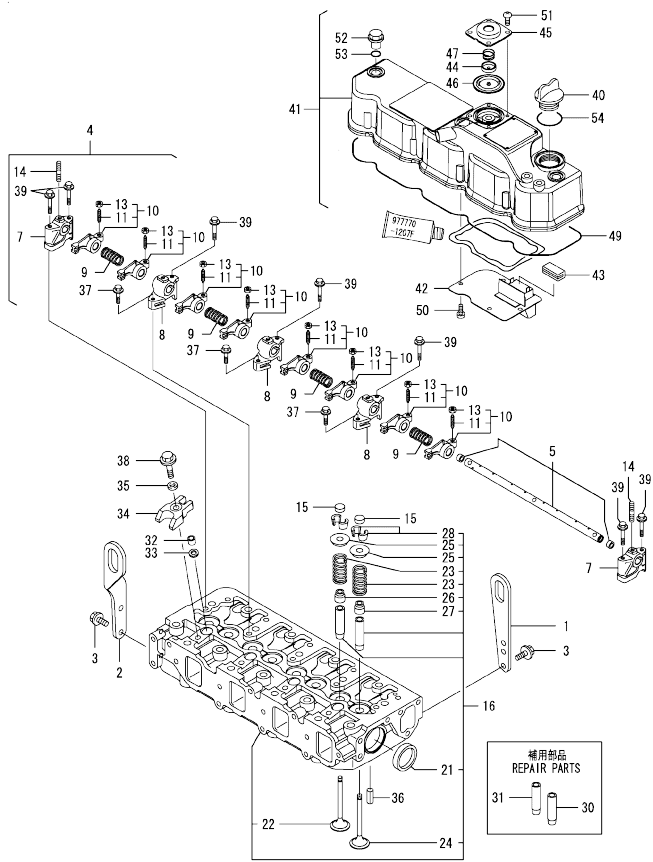
N:Old  $\frac{New}{Old}$  New, Q:Old  $\frac{New}{Old}$  New, R:Old  $\frac{New}{Old}$  New, S:Old  $\frac{New}{Old}$  New, W:Add, Z:Discontinued, F:Interchangeable by set, K:Qty Change  
 Copyright (C) YANMAR CO., LTD. All Rights Reserved.

Fig.3. FLYWHEEL HOUSING & OIL SUMP



No.	Lev.	Parts No.	Description	Q'ty						I	R
				(A)	(B)	(C)	(D)	(E)	(F)		
1	1	129100-01580	PIN, M8X16	2							
2	1	171420-01600	HOUSING, FLYWHEEL	1							
3	1	119620-01750	CAP	1							
4	1	26206-100252	BOLT, M10X 25 PLATED	6							
5	1	26206-100302	BOLT, M10X 30 PLATED	4							
6	1	129400-01730	SPACER, OIL SUMP	1							
7	1	129400-01770	SUMP ASSY, OIL	1							
7-1	1	129688-01780 (A=EN0709)	OIL PAN ASSY, DEEP	1							N
8	2	119640-01640	PLUG, DRAIN M22	1							
10	2	22190-220002	WASHER, SEAL 22	1							
11	1	26106-080162	BOLT, M8X 16 PLATED	4							
12	1	26106-080252	BOLT, M8X 25 PLATED	2							
13	1	26106-080452	BOLT, M8X 45 PLATED	24							
13-1	1	26106-080452	BOLT, M8X 45 PLATED	20							K
(A=FROM 1ST)											
14	1	129100-01580	PIN, M8X16	2							
15	1	129100-01640	CASE ASSY, OIL SEAL	1							
17	2	129795-01780	SEAL, OIL	1							
18	1	129486-01670	BOLT, M8X30	6							
19	1	26106-080352	BOLT, M8X 35 PLATED	3							
20	1	26106-080502 (A=FROM 1ST)	BOLT, M8X 50 PLATED	4							W

Fig.4. CYLINDER HEAD & BONNET



(A)=4TNV88-GGEA  
(B)=  
(C)=

(D)=  
(E)=  
(F)=

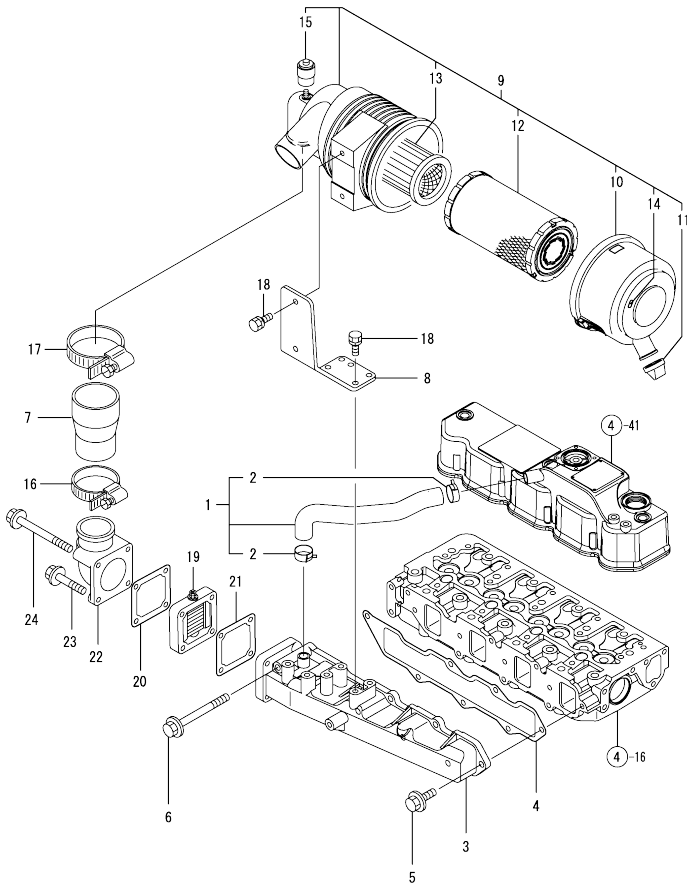
No.	Lev.	Parts No.	Description	Q'ty						I	R
				(A)	(B)	(C)	(D)	(E)	(F)		
1	1	129900-07900	LIFTER	1							
2	1	129910-07900	LIFTER	1							
3	1	26106-080162	BOLT, M8X 16 PLATED	4							
4	1	129601-11241	SHAFT ASSY, ROCKER	1							
5	2	129601-11251	SHAFT, ROCKER ARM	1							
7	2	119802-11260	SUPPORT, ROCKER ARM	2							
8	2	119802-11270	SUPPORT, ROCKER ARM	3							
9	2	129150-11280	SPRING	4							
10	2	129004-11650	ARM, ROCKER	8							
11	3	129150-11230	SCREW, VALVE ADJUST	8							
13	3	129150-11750	NUT, M8	8							
14	2	26226-080182	STUD, M8X 18	3							
15	1	129150-11370	CAP, VALVE	8							
16	1	129601-11700	HEAD ASSY, CYLINDER	1							
21	2	27241-400000	PLUG, 40	2							
22	2	129100-11112	VALVE, EXHAUST	4							
23	2	129795-11120	SPRING, VALVE	8							
24	2	129004-11130	VALVE, INTAKE	4							
25	2	129795-11180	RETAINER, SPRING	8							
26	2	121400-11340	SEAL, VALVE STEM	4							
27	2	124460-11340	SEAL, VALVE STEM	4							
28	2	27310-080001	COTTER, 8	8							
30	1	120130-11860	GUIDE, VALVE	4							1
31	1	129150-11810	GUIDE, VALVE	4							1
32	1	119802-11870	PROTECTOR, NOZZLE	4							
33	1	119625-11880	SEAT, NOZZLE	4							
34	1	129004-11900	RETAINER, NOZZLE	4							
35	1	120270-54410	WASHER, INJECTOR	4							
36	1	22351-060012	PIN, SPRING 6.0X12	2							
37	1	26106-080252	BOLT, M8X 25 PLATED	3							
38	1	26106-080352	BOLT, M8X 35 PLATED	4							
39	1	26106-080502	BOLT, M8X 50 PLATED	7							
40	1	124160-01751	COVER, FILLER	1							
41	1	129601-11350	BONNET ASSY, HEAD	1							
42	2	129004-03010	PLATE	1							
43	2	129150-03070	BAFFLE, BREATHER	1							
44	2	119802-03110	PLATE	1							
45	2	119802-03121	COVER, DIAPHRAGM	1							
46	2	119802-03130	DIAPHRAGM	1							
47	2	119802-03141	SPRING, DIAPHRAGM	1							
49	2	129601-11310	GASKET, BONNET	1							
50	2	22857-500100	SCREW, 5X10	4							
51	2	22857-500100	SCREW, 5X10	4							
52	1	124160-11360	KNOB	3							
53	1	24311-000120	O-RING, 1AP12.0	3							
54	1	24311-000320	O-RING, 1AP32.0	1							

Remarks  
(1) REPAIR PART.

N:Old  $\frac{100}{100}$  New, Q:Old  $\frac{100}{100}$  New, R:Old  $\frac{100}{100}$  New, S:Old  $\frac{100}{100}$  New, W:Add, Z:Discontinued, F:Interchangeable by set, K:Q'ty Change  
Copyright (C) YANMAR CO., LTD. All Rights Reserved.



Fig.5. SUCTION MANIFOLD & AIR CLEANER



(A)=4TNV88-GGEA  
(B)=  
(C)=

(D)=  
(E)=  
(F)=

No.	Lev.	Parts No.	Description	Q'ty						I	R
				(A)	(B)	(C)	(D)	(E)	(F)		
1	1	129601-03080	PIPE , BREATHER	1							
2	2	129410-03990	CLAMP 22	2							
3	1	129601-12100	MANIFOLD, AIR INTAKE	1							
4	1	129407-12110	GASKET, MANIFOLD	1							
5	1	26106-080202	BOLT, M8X 20 PLATED	6							
6	1	26106-080802	BOLT, M8X 80 PLATED	1							
7	1	129642-12550	PIPE, AIR INTAKE	1							
8	1	129508-12560	BRACKET, AIR CLEANER	1							
9	1	129601-12590	CLEANER ASSY, AIR	1							
10	2	129457-12530	COVER	1							
11	2	119808-12540	VALVE, UNLOADER	1							
12	2	129062-12560	ELEMENT	1							
13	2	119005-12571	ELEMENT	1							
14	2	129612-12650	MARKING,(W)	1							
15	2	126650-12680	INDICATOR	1							
16	1	23000-060000	CLAMP, 60	1							
17	1	23000-080000	CLAMP, 80	1							
18	1	26013-080222	BOLT, M8X 22	6							
19	1	129100-77501	HEATER	1							
20	1	129100-77510	GASKET, AIR HEATER	1							
21	1	129150-77511	GASKET	1							
22	1	171340-77520	BEND	1							
23	1	26106-080402	BOLT, M8X 40 PLATED	2							
24	1	26106-080802	BOLT, M8X 80 PLATED	2							

Fig.6. EXHAUST MANIFOLD

(A)=4TNV88-GGEA  
(B)=  
(C)=

(D)=  
(E)=  
(F)=

No.	Lev.	Parts No.	Description	Q'ty					
				(A)	(B)	(C)	(D)	(E)	(F)
1	1	129601-13109	MANIFOLD, EXHAUST	1					
2	1	129550-13110	GASKET	1					
3	1	123900-13610	STUD, M8X80	2					
4	1	123900-13630	BOLT, M8X80	6					
5	1	119131-18320	STUD, M8X22	4					
6	1	26306-080002	NUT, M8	2					
7	1	129930-13201	GASKET, SILENCER	1					

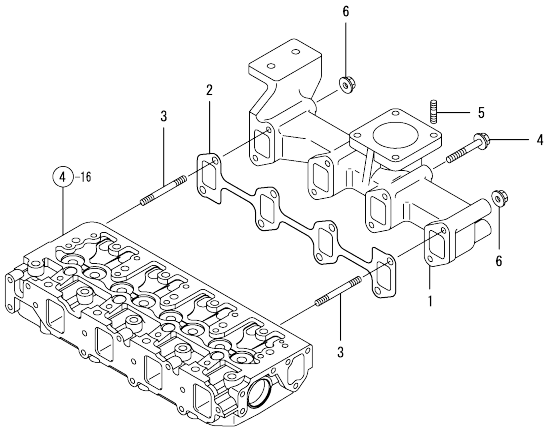
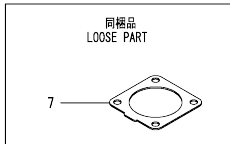
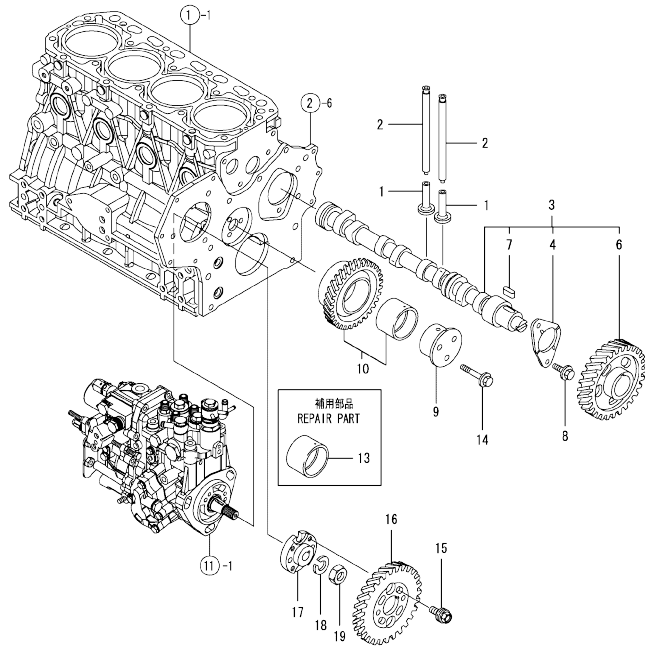


Fig.7. CAMSHAFT & DRIVING GEAR



(A)=4TNV88-GGEA  
(B)=  
(C)=

(D)=  
(E)=  
(F)=

No.	Lev.	Parts No.	Description	Q'ty						I	R
				(A)	(B)	(C)	(D)	(E)	(F)		
1	1	129150-14200	TAPPET	8							
2	1	129150-14400	ROD, PUSH L=178	8							
3	1	729601-14580	CAMSHAFT ASSY	1							
4	2	129150-02450	BEARING, THRUST	1							
6	2	129150-14101	GEAR, CAMSHAFT	1							
7	2	22512-070140	KEY, 7X 14	1							
8	1	26106-080142	BOLT, M8X 14 PLATED	2							
9	1	119802-25051	SHAFT, IDLE	1							
10	1	119802-25101	GEAR ASSY, IDLE	1							
13	1	119802-25071	BUSH, IDLE GEAR	1							1
14	1	26106-080402	BOLT, M8X 40 PLATED	3							
15	1	129150-25301	BOLT	4							
16	1	119802-25901	GEAR, PUMP	1							
17	1	158552-51151	FLANGE	1							
18	1	22217-140000	WASHER, SPRING 14	1							
19	1	26776-140002	NUT, LOCK M14	1							

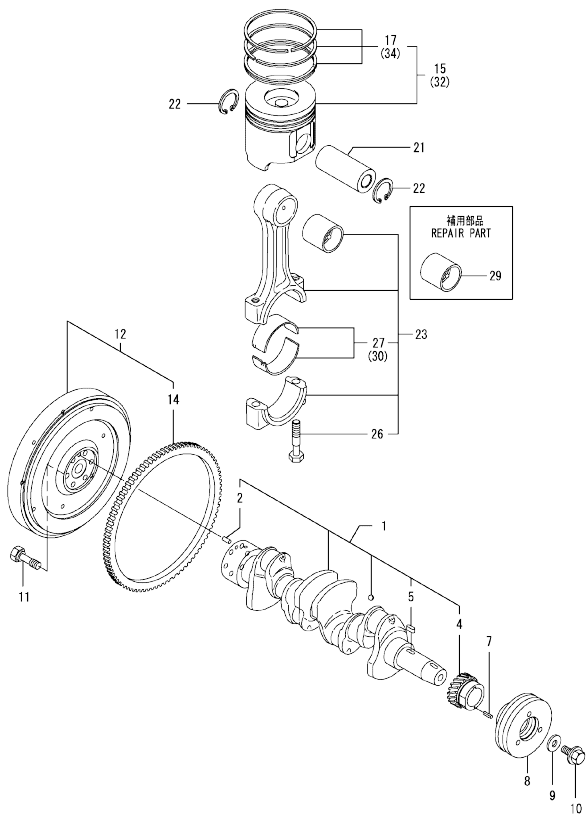
Remarks  
(1) REPAIR PART.

N:Old  $\frac{100}{100}$  New, Q:Old  $\frac{100}{100}$  New, R:Old  $\frac{100}{100}$  New, S:Old  $\frac{100}{100}$  New, W:Add, Z:Discontinued, F:Interchangeable by set, K:Q'ty Change  
Copyright (C) YANMAR CO., LTD. All Rights Reserved.

Fig.8. CRANKSHAFT & PISTON

(A)=4TNV88-GGEA  
(B)=  
(C)=

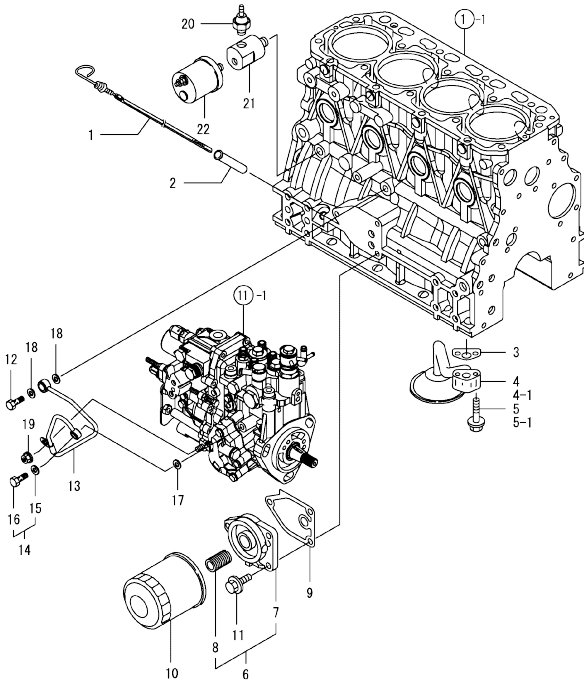
(D)=  
(E)=  
(F)=



No.	Lev.	Parts No.	Description	Q'ty						I	R
				(A)	(B)	(C)	(D)	(E)	(F)		
1	1	129601-21002	CRANKSHAFT ASSY	1							
2	2	129100-01580	PIN, M8X16	1							
4	2	119802-21202	GEAR, CRANKSHAFT	1							
5	2	22512-070140	KEY, 7X 14	1							
7	1	22351-030010	PIN, SPRING 3.0X10	1							
8	1	119802-21660	V-PULLEY, 120	1							
9	1	129795-21661	WASHER	1							
10	1	121850-21680	BOLT	1							
11	1	121111-21501	BOLT, FLYWHEEL	6							
12	1	171420-21590	FLYWHEEL ASSY	1							
14	2	124550-21600	GEAR, RING	1							
15	1	129005-22080	PISTON ASSY	4							
17	2	129005-22500	RING SET, PISTON	4							
21	1	129202-22300	PIN, PISTON D26 L70	4							
22	1	22252-000260	RING, 26	8							
23	1	729402-23100	ROD ASSY, CONNECTING	4							
26	2	121550-23200	BOLT, CONNECTING ROD	8							
27	2	129150-23601	BEARING, CRANK PIN	4							
29	1	129100-23910	BEARING, PISTON PIN	4							1
30	1	129150-23611	BEARING, 0.25 US	4							2
32	1	129005-22900	PISTON ASSY, 0.25 OS	4							3
34	2	129005-22950	RING SET, 0.25 OS	4							3

Remarks  
(1) REPAIR PART.  
(2) UNDER-SIZED(U.S=0.25)PART.  
(3) OVER-SIZED(O.S=0.25)PART.

Fig.9. LUB.OIL SYSTEM



(A)=4TNV88-GGEA  
(B)=  
(C)=

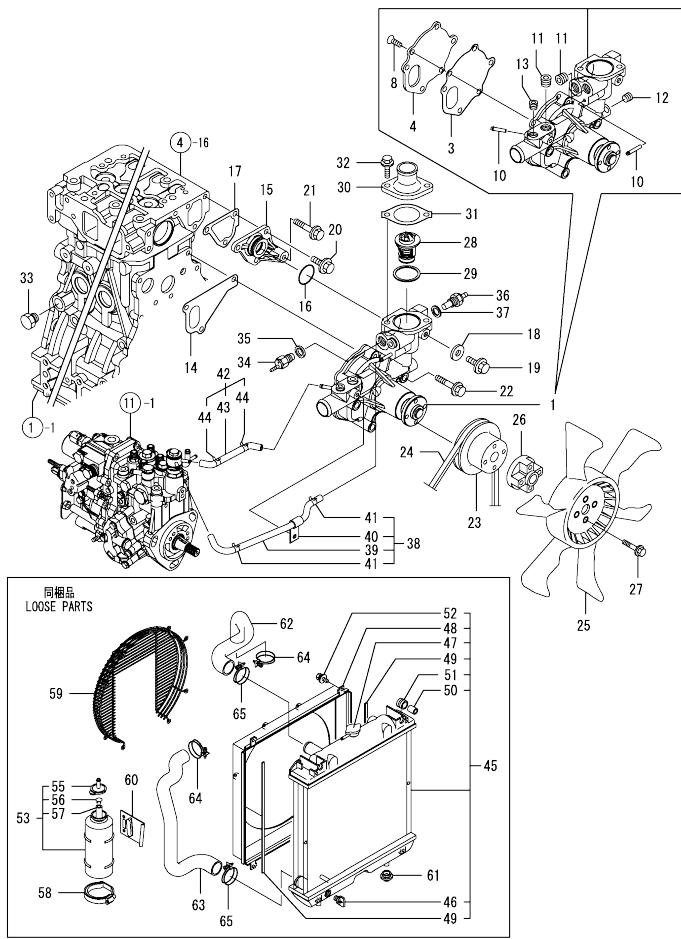
(D)=  
(E)=  
(F)=

No.	Lev.	Parts No.	Description	Q'ty						I	R
				(A)	(B)	(C)	(D)	(E)	(F)		
1	1	129004-34802	DIPSTICK, OIL	1							
2	1	121520-34810	GUIDE, DIPSTICK	1							
3	1	129150-35042	GASKET	1							
4	1	129436-35091	PIPE ASSY, OIL INLET	1							
4-1	1	129436-35070	PIPE ASSY, LUB. OIL	1							S
(A=EZZZZZ)											
5	1	26106-080352	BOLT, M8X 35 PLATED	2							
5-1	1	26106-080552	BOLT, M8X 55 PLATED	2							S
(A=EZZZZZ)											
6	1	119802-35100	BRACKET ASSY, FILTER	1							
7	2	119802-35110	BRACKET, FILTER	1							
8	2	129100-35140	STUD	1							
9	1	129150-35111	GASKET	1							
10	1	129150-35170	FILTER, LO	1							1
11	1	26106-080202	BOLT, M8X 20 PLATED	3							
12	1	124160-39140	BOLT, PIPE JOINT M10	1							
13	1	119802-39450	PIPE ASSY, OIL	1							
14	1	129005-59830	BOLT ASSY, JOINT M8	1							
15	2	22190-080002	WASHER, SEAL 6	1							
16	2	23857-030000	BOLT, JOINT 3	1							
17	1	22190-080002	WASHER, SEAL 6	1							
18	1	22190-100002	WASHER, SEAL 10	2							
19	1	26366-060002	NUT, M6	1							
20	1	114250-39450	SWITCH, 0.5KG	1							
21	1	171375-39601	DAMPER, 1/8	1							
22	1	119773-91501	SENSOR	1							

Remarks  
(1) REPAIR PART.

N:Old  $\frac{100}{100}$  New, Q:Old  $\frac{100}{100}$  New, R:Old  $\frac{100}{100}$  New, S:Old  $\frac{100}{100}$  New, W:Add, Z:Discontinued, F:Interchangeable by set, K:Qty Change  
Copyright (C) YANMAR CO., LTD. All Rights Reserved.

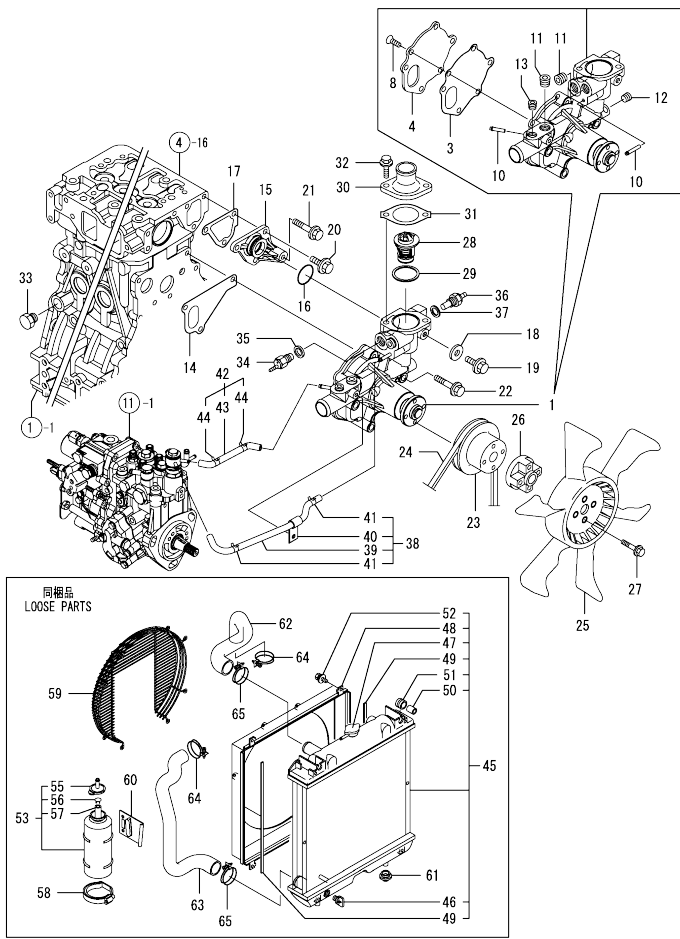
Fig.10. COOLING WATER SYSTEM



No.	Lev.	Parts No.	Description	Q'ty						I	R
				(A)	(B)	(C)	(D)	(E)	(F)		
1	1	129004-42001	PUMP ASSY, WATER	1							
3	2	129100-42051	GASKET, WATER PUMP	1							
4	2	129100-42121	PLATE	1							
8	2	121850-42410	SCREW	3							
10	2	119802-49113	JOINT, PIPE	2							
11	2	129916-49740	PLUG, R03	2							
12	2	23876-010000	PLUG, R01	1							
13	2	23876-020000	PLUG, R02	1							
14	1	129486-42021	GASKET, WATER PUMP	1							
15	1	129004-42040	JOINT	1							
16	1	129486-42140	O-RING, G30	1							
17	1	124395-49840	GASKET	1							
18	1	23414-080000	GASKET, 8X1.0	1							
19	1	26106-080122	BOLT, M8X 12 PLATED	1							
20	1	26106-080162	BOLT, M8X 16 PLATED	3							
21	1	26106-080452	BOLT, M8X 45 PLATED	1							
22	1	26106-080602	BOLT, M8X 60 PLATED	3							
23	1	129155-42350	V-PULLEY	1							
24	1	119831-42290	V-BELT, A37.5	1							
25	1	129612-44700	FAN, COOLING	1							
26	1	121267-44760	SPACER	1							
27	1	26106-060302	BOLT, M6X 30 PLATED	4							
28	1	129155-49801	THERMOSTAT, 71	1							
29	1	129150-49811	GASKET, THERMOSTAT	1							
30	1	129350-49530	COVER, THERMOSTAT	1							
31	1	129795-49551	GASKET	1							
32	1	26106-080222	BOLT, M8X 22 PLATED	2							
33	1	171056-49120	PLUG, DRAIN	1							
34	1	121250-44901	SWITCH, 110	1							
35	1	124465-44950	GASKET, 16	1							
36	1	124250-49351	SENSOR	1							
37	1	129150-49360	GASKET	1							
38	1	129004-49610	PIPE ASSY, WATER	1							
39	2	129004-49711	PIPE ASSY, WATER	1							
40	2	119802-49730	RETAINER, PIPE	1							
41	2	124722-59050	CLIP, HOSE 9	2							
42	1	129004-49620	PIPE ASSY, WATER	1							
43	2	129004-49721	PIPE ASSY, WATER	1							
44	2	124722-59050	CLIP, HOSE 9	2							
45	1	129601-44500	RADIATOR ASSY	1							
46	2	129508-44550	COCK ASSY	1							
47	2	129107-44590	CAP, RADIATOR	1							
48	2	129601-44600	SHROUD	1							
49	2	129601-44610	GASKET	2							
50	2	118400-44670	COLLAR	2							
51	2	118400-44720	MOUNT, RUBBER	2							
52	2	26014-060122	BOLT, M6X 12	4							
53	1	124450-44510	TANK ASSY, SUB	1							
55	2	124450-44530	CAP	1							
56	2	124450-44560	RETAINER	1							
57	2	23061-070230	PIPE, 7X 230	1							

N:Old  $\frac{New}{Old}$  New, Q:Old  $\frac{New}{Old}$  New, R:Old  $\frac{New}{Old}$  New, S:Old  $\frac{New}{Old}$  New, W:Add, Z:Discontinued, F:Interchangeable by set, K:Q'ty Change  
 ++ CONTINUE ++  
 Copyright (C) YANMAR CO., LTD. All Rights Reserved.

Fig.10. COOLING WATER SYSTEM



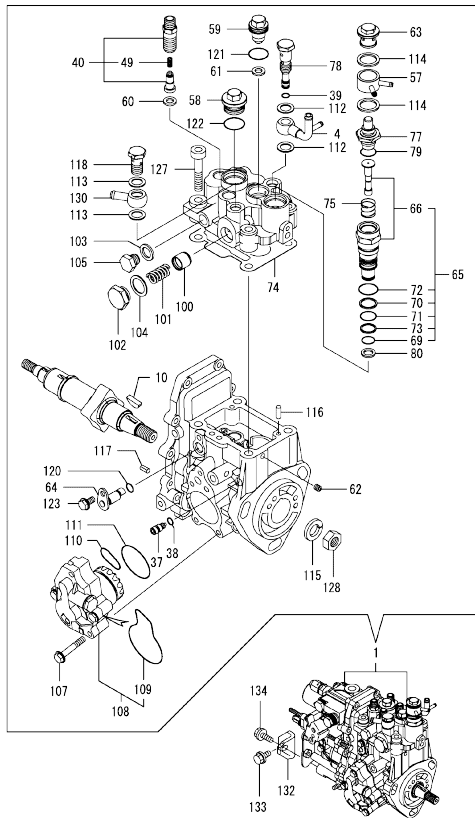
(A)=4TNV88-GGEA  
(B)=  
(C)=

(D)=  
(E)=  
(F)=

No.	Lev.	Parts No.	Description	Q'ty						I	R
				(A)	(B)	(C)	(D)	(E)	(F)		
58	1	124450-44550	BAND	1							
59	1	129601-44560	GUARD	1							
60	1	121256-44600	BRACKET, SUB TANK	1							
61	1	119255-44660	ABSORBER	2							
62	1	129602-49010	PIPE, WATER	1							
63	1	129612-49040	PIPE, WATER	1							
64	1	23010-038000	CLAMP, 38	2							
65	1	23010-044000	CLAMP, 44	2							

N:Old  $\frac{100}{100}$  New, Q:Old  $\frac{100}{100}$  New, R:Old  $\frac{100}{100}$  New, S:Old  $\frac{100}{100}$  New, W:Add, Z:Discontinued, F:Interchangeable by set, K:Q'ty Change  
Copyright (C) YANMAR CO., LTD. All Rights Reserved.

Fig.11. FUEL INJECTION PUMP



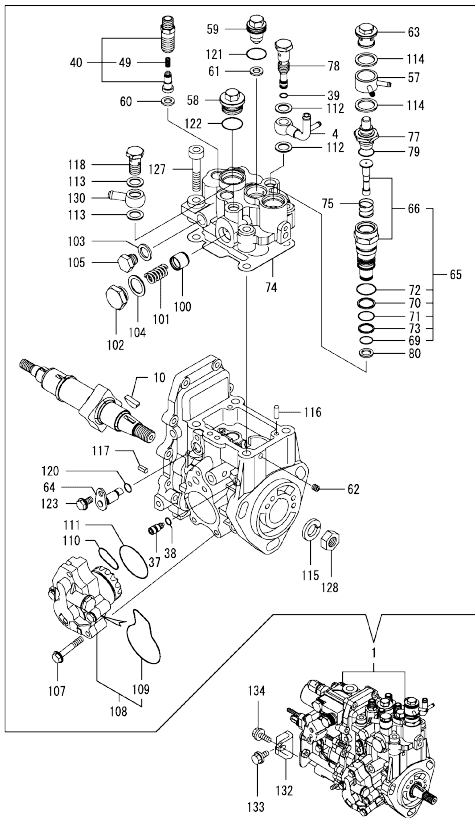
Remarks  
 (1) GOVERNOR ASSY(FIG.12) IS  
 INCORPORATED IN THIS FOP.CMP  
 (REF.NO.1).

No.	Lev.	Parts No.	Description	Q'ty						I	R
				(A)	(B)	(C)	(D)	(E)	(F)		
1	1	729647-51390	PUMP ASSY, INJECTION	1							1
4	2	158552-51670	JOINT, OVER FLOW	1							
10	2	119802-51090	KEY, 4X16	1							
37	2	158600-51270	STOPPER, TAPPET	1							
38	2	158563-51281	O-RING, 4D S6	1							
39	2	158563-51281	O-RING, 4D S6	1							
40	2	129509-51390	VALVE ASSY, DELIVERY	4							
49	3	158563-51330	SPRING, DELIVERY	4							
57	2	158553-51551	JOINT	1							
58	2	158601-51550	PLUG	1							
59	2	119802-51560	PLUG, BARREL	1							
60	2	158552-51571	GASKET	4							
61	2	158552-51571	GASKET	1							
62	2	158557-51570	PLUG	1							
63	2	158601-51570	PLUG	1							
64	2	158552-51580	LIFTER	1							
65	2	119802-51590	TIMER SET	1							
66	3	119802-51600	TIMER ASSY	1							
69	3	158553-51670	O-RING, 1011	1							
70	3	119802-51680	RING, BACK UP	1							
71	3	119802-51690	O-RING	1							
72	3	24356-010200	O-RING, 4D1020	1							
73	3	24372-000150	RING, BACK UP T2P15	1							
74	2	158552-51600	GASKET	1							
75	2	158553-51630	SPRING, TIMER	1							
77	2	158553-51640	ELEMENT	1							
78	2	158601-51650	JOINT, OVER FLOW	1							
79	2	158553-51660	O-RING, P14	1							
80	2	158553-51680	GASKET	1							
100	2	158601-51770	PISTON	1							
101	2	158552-51781	SPRING	1							
102	2	158601-51790	PLUG	1							
103	2	22190-120002	WASHER, SEAL 12	1							
104	2	22190-180002	WASHER, SEAL 18	1							
105	2	23887-120002	PLUG, 12	1							
107	2	158553-51770	BOLT	4							
108	2	158552-52100	PUMP ASSY, FUEL FEED	1							
109	3	158552-52500	O-RING	1							
110	2	158552-52310	O-RING	1							
111	2	158552-52400	O-RING, 4E S42	1							
112	2	22190-120002	WASHER, SEAL 12	2							
113	2	22190-120002	WASHER, SEAL 12	2							
114	2	22190-180002	WASHER, SEAL 18	2							
115	2	22217-140000	WASHER, SPRING 14	1							
116	2	22312-050140	PIN, PARALLEL M5X14	2							
117	2	22351-050010	PIN, SPRING 5.0X10	2							
118	2	23857-060000	BOLT, JOINT 6	1							
120	2	24311-000070	O-RING, 1AP7.0	1							
121	2	24356-010180	O-RING, 4D1018	1							
122	2	24356-010200	O-RING, 4D1020	1							
123	2	26106-060102	BOLT, M6X 10 PLATED	1							

N:Old <sup>REV</sup>/<sub>REV</sub> New, Q:Old <sup>REV</sup>/<sub>REV</sub> New, R:Old <sup>REV</sup>/<sub>REV</sub> New, S:Old <sup>REV</sup>/<sub>REV</sub> New, W:Add, Z:Discontinued, F:Interchangeable by set, K:Q'ty Change  
 ++ CONTINUE ++  
 Copyright (C) YANMAR CO., LTD. All Rights Reserved.



Fig.11. FUEL INJECTION PUMP



(A)=4TNV88-GGEA  
(B)=  
(C)=

(D)=  
(E)=  
(F)=

No.	Lev.	Parts No.	Description	Q'ty						I	R
				(A)	(B)	(C)	(D)	(E)	(F)		
127	2	26450-080452	BOLT, M8X 45	4							
128	2	26776-140002	NUT, LOCK M14	1							
130	2	129916-59020	JOINT, PIPE 12	1							
132	1	129601-51250	RETAINER, PUMP	1							
133	1	26106-080162	BOLT, M8X 16 PLATED	1							
134	1	26106-080202	BOLT, M8X 20 PLATED	1							

Remarks  
(1) GOVERNOR ASSY(FIG.12) IS  
INCORPORATED IN THIS FOP.CMP  
(REF.NO.1).

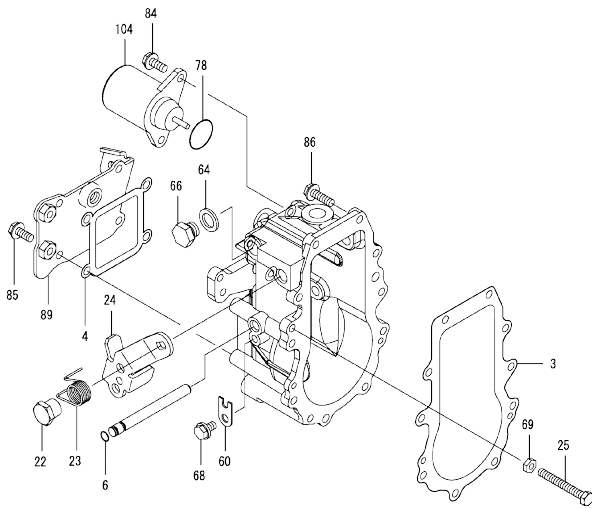
N:Old  $\frac{New}{Old}$  New, Q:Old  $\frac{New}{Old}$  New, R:Old  $\frac{New}{Old}$  New, S:Old  $\frac{New}{Old}$  New, W:Add, Z:Discontinued, F:Interchangeable by set, K:Q'ty Change  
Copyright (C) YANMAR CO., LTD. All Rights Reserved.

0CW10-M36500 4TNV88-GGEA  
 Fig.12. GOVERNOR

0CW10-M36500 Fig.12

(A)=4TNV88-GGEA  
 (B)=  
 (C)=

(D)=  
 (E)=  
 (F)=

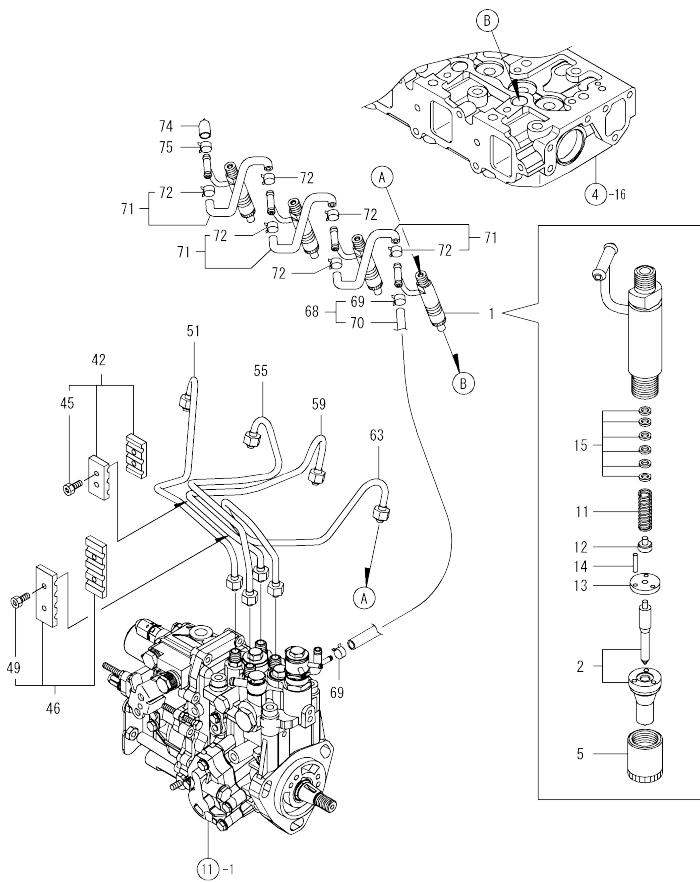


No.	Lev.	Parts No.	Description	Q'ty						I	R
				(A)	(B)	(C)	(D)	(E)	(F)		
3	2	158553-61050	GASKET	1							
4	2	158553-61070	GASKET	1							
6	2	129155-51280	O-RING, S6	1							
22	2	129255-61410	NUT, LOCK	1							
23	2	119807-61420	SPRING, RETURN	1							
24	2	129246-61441	LEVER, REGULATOR	1							
25	2	129155-61460	BOLT, IDLE	1							
60	2	119660-61901	RETAINER, SHAFT	1							
64	2	22190-120000	WASHER, SEAL 12	1							
66	2	23887-120002	PLUG, 12	1							
68	2	26106-060102	BOLT, M6X 10 PLATED	1							
69	2	26756-060002	NUT, LOCK M6	1							
78	2	158552-61900	O-RING	1							
84	2	26106-060142	BOLT, M6X 14 PLATED	2							
85	2	26106-060142	BOLT, M6X 14 PLATED	4							
86	2	26106-060202	BOLT, M6X 20 PLATED	10							
89	2	129246-61061	COVER, GOVERNOR CASE	1							
104	2	119653-77950	SOLENOID, STOP	1							

Remarks  
 \* THIS FIGURE(GOVERNOR ASSY)IS  
 INCORPORATED IN THE FUEL INJECTION  
 PUMP ASSY(FIG.11).

N:Old  $\frac{100}{100}$  New, Q:Old  $\frac{100}{100}$  New, R:Old  $\frac{100}{100}$  New, S:Old  $\frac{100}{100}$  New, W:Add, Z:Discontinued, F:Interchangeable by set, K:Q'ty Change  
 Copyright (C) YANMAR CO., LTD. All Rights Reserved.

Fig.13. FUEL INJECTION VALVE

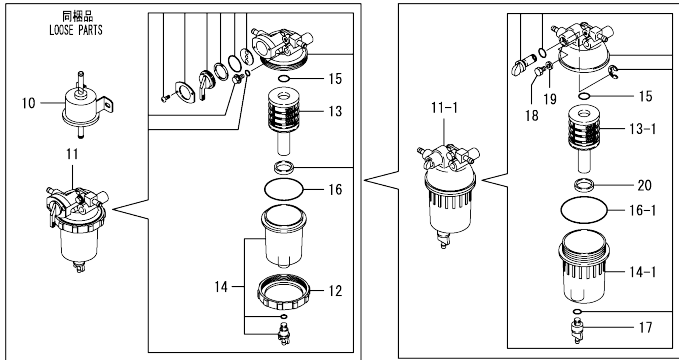
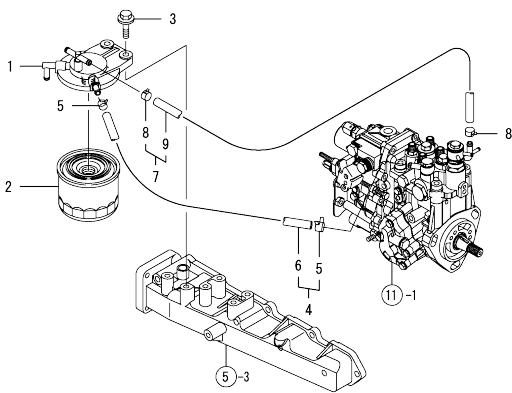


(A)=4TNV88-GGEA  
(B)=  
(C)=

(D)=  
(E)=  
(F)=

No.	Lev.	Parts No.	Description	Q'ty						I	R
				(A)	(B)	(C)	(D)	(E)	(F)		
1	1	729246-53101	VALVE ASSY,INJECTION	4							
2	2	129246-53001	VALVE ASSY,INJECTION	4							
5	2	114250-53080	NUT, NOZZLE D16.95	4							
11	2	114250-53120	SPRING, NOZZLE	4							
12	2	114250-53130	SEAT, SPRING	4							
13	2	114250-53140	PLATE	4							
14	2	114250-53210	PIN	8							
15	2	119803-53400	SHIM SET	4							
42	1	129150-59120	RETAINER, PIPE	1							
45	2	129150-59131	BOLT, M4X14	2							
46	1	129550-59120	RETAINER, PIPE	1							
49	2	129150-59131	BOLT, M4X14	2							
51	1	129601-59810	PIPE ASSY, INJECTION	1							
55	1	129601-59820	PIPE ASSY, INJECTION	1							
59	1	129601-59830	PIPE ASSY, INJECTION	1							
63	1	129601-59840	PIPE ASSY, INJECTION	1							
68	1	119802-59550	PIPE ASSY, RETURN	1							
69	2	124722-59050	CLIP, HOSE 9	2							
70	2	119802-59560	PIPE, FUEL RETURN	1							
71	1	129486-59551	PIPE ASSY, RETURN	3							
72	2	124722-59050	CLIP, HOSE 9	6							
74	1	119593-59581	CAP	1							
75	1	124060-77680	CLIP, HOSE 10	1							

Fig.14. FUEL LINE

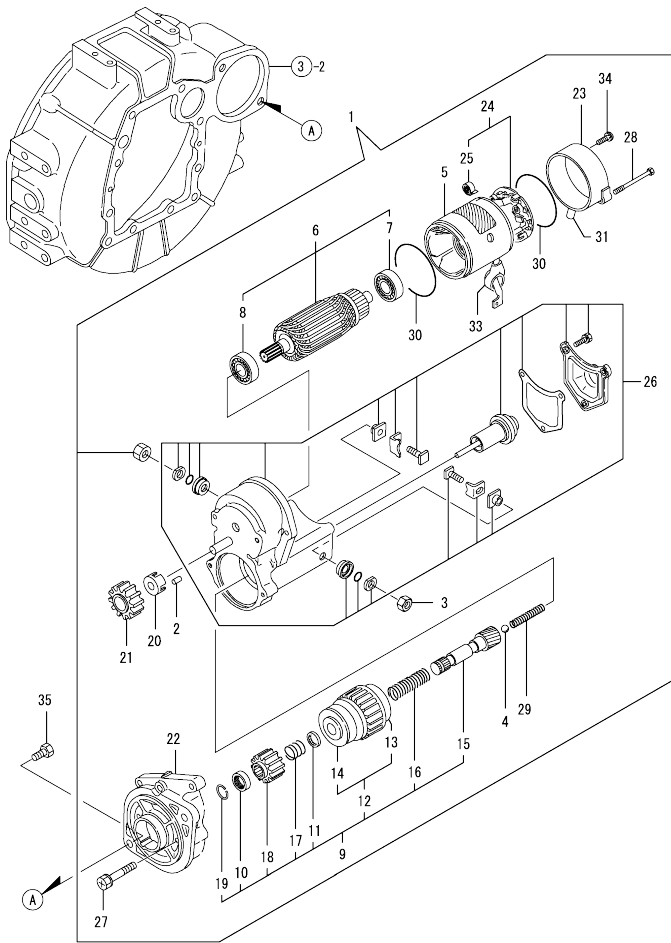


(A)=4TNV88-GGEA  
(B)=  
(C)=

(D)=  
(E)=  
(F)=

No.	Lev.	Parts No.	Description	Q'ty						I	R
				(A)	(B)	(C)	(D)	(E)	(F)		
1	1	129004-55612	BRACKET, FILTER	1							
2	1	119802-55810	FILTER,FO	1							
3	1	26106-080302	BOLT, M8X 30 PLATED	2							
4	1	129210-59090	PIPE ASSY, FUEL	1							
5	2	124766-59050	CLIP, HOSE 12	2							
6	2	105325-59570	PIPE, FUEL	1							
7	1	129210-59150	PIPE ASSY, FUEL	1							
8	2	124766-59050	CLIP, HOSE 12	2							
9	2	105025-59530	PIPE, FUEL D13X400	1							
10	1	119225-52102	PUMP ASSY, FUEL FEED	1							
11	1	119802-55700	SEPARATOR ASSY	1							
11-1	1	129242-55700	SEPARATOR ASSY	1							N
		(A=2008.08.)									
12	2	129100-55690	RING, RETAINING	1							Z
		(A=2008.08.)									
13	2	119802-55710	ELEMENT	1							
13-1	2	129242-55730	ELEMENT	1							S
		(A=2008.08.)									
14	2	119802-55730	CUP ASSY	1							
14-1	2	129242-55720	CUP	1							S
		(A=2008.08.)									
15	2	24311-000160	O-RING, 1AP16.0	1							
16	2	24321-000650	O-RING, 1AG65.0	1							
16-1	2	24321-000750	O-RING, 1AG75.0	1							S
		(A=2008.08.)									
17	2	129242-55740	PLUG, DRAIN	1							W
		(A=2008.08.)									
18	2	129242-55750	VALVE, AIR VENT	1							W
		(A=2008.08.)									
19	2	129242-55760	GASKET	1							W
		(A=2008.08.)									
20	2	129242-55770	FLOAT	1							W
		(A=2008.08.)									

Fig.15. STARTING MOTOR



(A)=4TNV88-GGEA  
(B)=  
(C)=

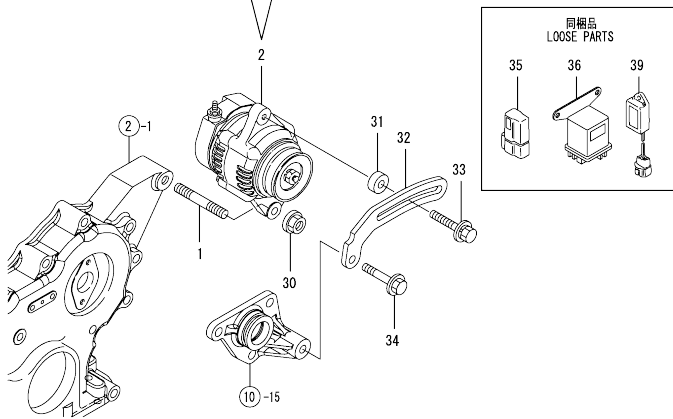
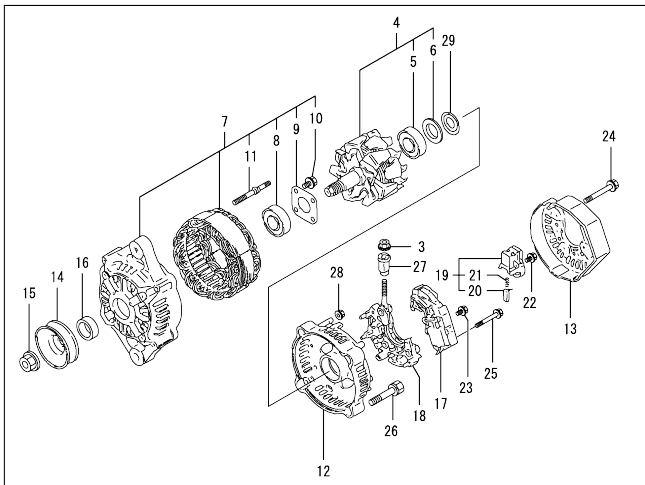
(D)=  
(E)=  
(F)=

No.	Lev.	Parts No.	Description	Q'ty						
				(A)	(B)	(C)	(D)	(E)	(F)	
1	1	129407-77010	STARTER, RA1.4	1						
2	2	X0283060061	ROLLER	5						
3	2	X9490561370	NUT	1						
4	2	X9491200240	BALL	1						
5	2	129407-77210	YOKE ASSY	1						
6	2	129407-77220	ARMATURE ASSY	1						
7	3	129129-77230	BEARING	1						
8	3	129129-77240	BEARING	1						
9	2	129407-77250	STARTER	1						
10	3	X0280210230	NUT	1						
11	3	X0283270140	RETAINER	1						
12	3	129407-77390	CLUTCH ASSY	1						
13	4	129129-77440	BEARING	1						
14	4	129129-77450	BEARING	1						
15	3	129129-77400	SHAFT	1						
16	3	129129-77410	SPRING, COIL	1						
17	3	X9491703371	SPRING, COIL	1						
18	3	129129-77420	PINION	1						
19	3	129129-77430	RING	1						
20	2	129129-77260	RETAINER	1						
21	2	129129-77270	PINION	1						
22	2	129407-77280	HOUSING	1						
23	2	129407-77290	FRAME	1						
24	2	129407-77300	HOLDER ASSY	1						
25	3	X9491730461	SPRING	4						
26	2	129407-77310	SWITCH ASSY	1						
27	2	129129-77320	BOLT	2						
28	2	129407-77330	BOLT	2						
29	2	129129-77340	SPRING	1						
30	2	129129-77350	O-RING	2						
31	2	129129-77362	COVER	1						
33	2	129129-77380	CAP	1						
34	2	129129-77460	SCREW	2						
35	1	26116-120252	BOLT, M12X 25 PLATED	2						

N:Old  $\frac{100}{100}$  New, Q:Old  $\frac{100}{100}$  New, R:Old  $\frac{100}{100}$  New, S:Old  $\frac{100}{100}$  New, W:Add, Z:Discontinued, F:Interchangeable by set, K:Q'ty Change  
Copyright (C) YANMAR CO., LTD. All Rights Reserved.

OCW10-M36500 4TNV88-GGEA  
 Fig.16. GENERATOR

OCW10-M36500 Fig.16



(A)=4TNV88-GGEA  
 (B)=  
 (C)=

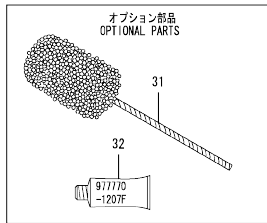
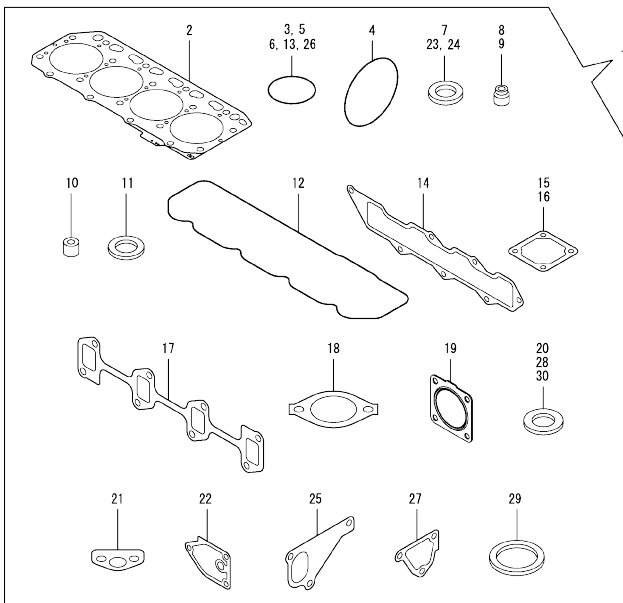
(D)=  
 (E)=  
 (F)=

No.	Lev.	Parts No.	Description	Q'ty						I	R
				(A)	(B)	(C)	(D)	(E)	(F)		
1	1	129795-01900	STUD	1							
2	1	129423-77200	GENERATOR, 12V-40A	1							
3	2	X9490561001	NUT	1							
4	2	119620-77380	ROTOR ASSY	1							
5	3	123501-79240	BEARING, BALL	1							
6	3	119620-79250	COVER, BEARING	1							
7	2	119620-77421	FRAME ASSY, DRIVE	1							
8	3	119620-79200	BALL BEARING	1							
9	3	119620-79210	PLATE	1							
10	3	119620-79220	SCREW	4							
11	3	119620-79230	BOLT, STUD	2							
12	2	119620-77440	FRAME ASSY, REAR	1							
13	2	129240-79300	COVER	1							
14	2	119620-77461	PULLEY	1							
15	2	119620-77471	NUT	1							
16	2	119620-77490	COLLAR	1							
17	2	129423-77710	REGULATOR ASSY	1							
18	2	119620-79260	HOLDER	1							
19	2	129052-79270	HOLDER, BRUSH	1							
20	3	119620-77480	BRUSH ASSY	2							
21	3	119620-79280	SPRING	2							
22	2	119620-79290	SCREW	6							
23	2	119620-79300	SCREW	1							
24	2	119620-79310	BOLT	3							
25	2	119620-79320	SCREW W/WASHER	2							
26	2	119620-79330	BOLT	2							
27	2	119620-79340	INSULATION BUSH	1							
28	2	119620-79350	NUT	2							
29	2	119620-79360	WASHER, THRUST	1							
30	1	26306-100002	NUT, M10	1							
31	1	119940-77270	SPACER, GENERATOR	1							
32	1	119940-77330	ADJUSTER	1							
33	1	129972-77341	BOLT, ADJUSTER L=50	1							
34	1	26106-080452	BOLT, M8X 45 PLATED	1							
35	1	119643-66900	DIODE	1							
36	1	119650-77910	RELAY ASSY, GLOW	1							
39	1	129211-77920	TIMER	1							

N:Old  $\frac{100}{100}$  New, Q:Old  $\frac{100}{100}$  New, R:Old  $\frac{100}{100}$  New, S:Old  $\frac{100}{100}$  New, W:Add, Z:Discontinued, F:Interchangeable by set, K:Q'ty Change  
 Copyright (C) YANMAR CO., LTD. All Rights Reserved.

OCW10-M36500 4TNV88-GGEA  
 Fig.17. GASKET SET

OCW10-M36500 Fig.17



(A)=4TNV88-GGEA  
 (B)=  
 (C)=

(D)=  
 (E)=  
 (F)=

No.	Lev.	Parts No.	Description	Q'ty						I	R
				(A)	(B)	(C)	(D)	(E)	(F)		
1	1	729602-92820	GASKET SET	1							1
2	2	129407-01340	GASKET, HEAD	1							
3	2	119609-32040	O-RING, P16	4							
4	2	121850-51960	O-RING	1							
5	2	24311-000320	O-RING, 1AP32.0	2							
6	2	24341-000240	O-RING, 1AS24.0	1							
7	2	22190-220002	WASHER, SEAL 22	1							
8	2	121400-11340	SEAL, VALVE STEM	4							
9	2	124460-11340	SEAL, VALVE STEM	4							
10	2	119802-11870	PROTECTOR, NOZZLE	4							
11	2	119625-11880	SEAT, NOZZLE	4							
12	2	129601-11310	GASKET, BONNET	1							
13	2	24311-000120	O-RING, 1AP12.0	3							
14	2	129407-12110	GASKET, MANIFOLD	1							
15	2	129100-77510	GASKET, AIR HEATER	1							
16	2	129150-77511	GASKET	1							
17	2	129550-13110	GASKET	1							
18	2	129795-49551	GASKET	1							
19	2	129930-13201	GASKET, SILENCER	1							
20	2	124465-44950	GASKET, 16	1							
21	2	129150-35042	GASKET	1							
22	2	129150-35111	GASKET	1							
23	2	22190-080002	WASHER, SEAL 6	2							
24	2	22190-100002	WASHER, SEAL 10	2							
25	2	129486-42021	GASKET, WATER PUMP	1							
26	2	129486-42140	O-RING, G30	1							
27	2	124395-49840	GASKET	1							
28	2	23414-080000	GASKET, 8X1.0	1							
29	2	129150-49811	GASKET, THERMOSTAT	1							
30	2	129150-49360	GASKET	1							
31	1	129400-92430	HONE	1							1
32	1	977770-1207F	GASKET,LIQUID	1							1

Remarks  
 (1) OPTIONAL PARTS.

N:Old  $\frac{New}{Old}$  New, Q:Old  $\frac{New}{Old}$  New, R:Old  $\frac{New}{Old}$  New, S:Old  $\frac{New}{Old}$  New, W:Add, Z:Discontinued, F:Interchangeable by set, K:Q'ty Change  
 Copyright (C) YANMAR CO., LTD. All Rights Reserved.

## Parts No. Index

Parts No.	Fig. No.	Ref. No.
105025-59530	14	9
105325-59570	14	6
114250-39450	9	20
114250-53080	13	5
114250-53120	13	11
114250-53130	13	12
114250-53140	13	13
114250-53210	13	14
118400-44670	10	50
118400-44720	10	51
119005-12571	5	13
119131-18320	6	5
119225-52102	14	10
119255-44660	10	61
119593-59581	13	74
119609-32040	2	11
	17	3
119620-01750	3	3
119620-77380	16	4
119620-77421	16	7
119620-77440	16	12
119620-77461	16	14
119620-77471	16	15
119620-77480	16	20
119620-77490	16	16
119620-79200	16	8
119620-79210	16	9
119620-79220	16	10
119620-79230	16	11
119620-79250	16	6
119620-79260	16	18
119620-79280	16	21
119620-79290	16	22
119620-79300	16	23
119620-79310	16	24
119620-79320	16	25
119620-79330	16	26
119620-79340	16	27
119620-79350	16	28
119620-79360	16	29
119625-11880	4	33
	17	11
119640-01640	3	8
119643-66900	16	35
119650-77910	16	36
119653-77950	12	104
119660-61901	12	60
119773-91501	9	22
119802-01520	2	6
119802-01561	2	7

Parts No.	Fig. No.	Ref. No.
119802-03110	4	44
119802-03121	4	45
119802-03130	4	46
119802-03141	4	47
119802-11260	4	7
119802-11270	4	8
119802-11870	4	32
	17	10
119802-21202	8	4
119802-21660	8	8
119802-25051	7	9
119802-25071	7	13
119802-25101	7	10
119802-25901	7	16
119802-32070	2	13
119802-32100	2	12
119802-32111	2	17
119802-32120	2	18
119802-32130	2	19
119802-35100	9	6
119802-35110	9	7
119802-39450	9	13
119802-49113	10	10
119802-49730	10	40
119802-51090	11	10
119802-51560	11	59
119802-51590	11	65
119802-51600	11	66
119802-51680	11	70
119802-51690	11	71
119802-55700	14	11
119802-55710	14	13
119802-55730	14	14
119802-55810	14	2
119802-59550	13	68
119802-59560	13	70
119803-53400	13	15
119807-61420	12	23
119808-12540	5	11
119831-42290	10	24
119934-01800	2	5
119940-77270	16	31
119940-77330	16	32
120130-11860	4	30
120270-54410	4	35
121023-01551	2	27
121111-21501	8	11
121250-44901	10	34
121256-44600	10	60
121267-44760	10	26

Parts No.	Fig. No.	Ref. No.
121400-11340	4	26
	17	8
121520-34810	9	2
121550-23200	8	26
121850-21680	8	10
121850-42410	10	8
121850-51960	2	20
	17	4
123501-79240	16	5
123900-13610	6	3
123900-13630	6	4
124060-01050	1	11
124060-77680	13	75
124160-01751	2	8
	4	40
124160-01910	1	12
	13	13
124160-11360	4	52
124160-39140	9	12
124240-01871	2	9
124250-49351	10	36
124395-49840	10	17
	17	27
124450-44510	10	53
124450-44530	10	55
124450-44550	10	58
124450-44560	10	56
124460-11340	4	27
	17	9
124465-44950	10	35
	17	20
124550-21600	8	14
124722-59050	10	41
	44	44
	13	69
	72	72
124766-59050	14	5
	8	8
126650-12680	5	15
129001-01250	1	4
129001-02931	1	30
129001-32330	2	16
129001-91841	2	21
129004-01190	1	27
129004-03010	4	42
129004-11130	4	24
129004-11650	4	10
129004-11900	4	34
129004-34802	9	1
129004-42001	10	1

Parts No.	Fig. No.	Ref. No.
129004-42040	10	15
129004-49610	10	38
129004-49620	10	42
129004-49711	10	39
129004-49721	10	43
129004-55612	14	1
129005-22080	8	15
129005-22500	8	17
129005-22900	8	32
129005-22950	8	34
129005-59830	9	14
129052-79270	16	19
129062-12560	5	12
129100-01580	3	1
	8	2
129100-01640	3	15
129100-11112	4	22
129100-23910	8	29
129100-35140	9	8
129100-42051	10	3
129100-42121	10	4
129100-55690	14	12
129100-77501	5	19
129100-77510	5	20
	17	15
129107-44590	10	47
129129-77230	15	7
129129-77240	15	8
129129-77260	15	20
129129-77270	15	21
129129-77320	15	27
129129-77340	15	29
129129-77350	15	30
129129-77362	15	31
129129-77380	15	33
129129-77400	15	15
129129-77410	15	16
129129-77420	15	18
129129-77430	15	19
129129-77440	15	13
129129-77450	15	14
129129-77460	15	34
129150-01200	1	28
129150-02020	1	6
129150-02450	7	4
129150-02871	1	33
129150-02931	1	24
129150-02941	1	36
129150-03070	4	43



## Parts No. Index

Parts No.	Fig. No.	Ref. No.	Parts No.	Fig. No.	Ref. No.	Parts No.	Fig. No.	Ref. No.	Parts No.	Fig. No.	Ref. No.
129150-11230	4	11	129407-01340	17	2	129601-59830	13	59	158600-51270	11	37
129150-11280	4	9	129407-12110	5	4	129601-59840	13	63	158601-51550	11	58
129150-11370	4	15		17	14	129602-49010	10	62	158601-51570	11	63
129150-11750	4	13	129407-77010	15	1	129612-12650	5	14	158601-51650	11	78
129150-11810	4	31	129407-77210	15	5	129612-44700	10	25	158601-51770	11	100
129150-14101	7	6	129407-77220	15	6	129612-49040	10	63	158601-51790	11	102
129150-14200	7	1	129407-77250	15	9	129642-12550	5	7	171051-01921	1	5
129150-14400	7	2	129407-77280	15	22	129688-01780	3	7 -1	171056-49120	10	33
129150-23601	8	27	129407-77290	15	23	129795-01780	3	17	171340-77520	5	22
129150-23611	8	30	129407-77300	15	24	129795-01900	16	1	171375-39601	9	21
129150-25301	7	15	129407-77310	15	26	129795-01950	2	10	171420-01600	3	2
129150-35042	9	3	129407-77330	15	28	129795-02412	1	9	171420-21590	8	12
	17	21	129407-77390	15	12	129795-11120	4	23	22190-080002	9	15
129150-35111	9	9	129410-03990	5	2	129795-11180	4	25			17
	17	22	129418-32320	2	15	129795-21661	8	9			17
129150-35170	9	10	129423-77200	16	2	129795-49551	10	31	22190-100002	9	18
129150-49360	10	37	129423-77710	16	17		17	18			17
	17	30	129436-35070	9	4 -1	129900-07900	4	1	22190-120000	12	64
129150-49811	10	29	129436-35091	9	4	129900-32130	2	14	22190-120002	11	103
	17	29	129457-12530	5	10	129910-07900	4	2			112
129150-59120	13	42	129486-01670	3	18	129916-49740	10	11			113
129150-59131	13	45	129486-42021	10	14	129916-59020	11	130	22190-180002	11	104
		49		17	25	129930-13201	6	7			114
129150-77511	5	21	129486-42140	10	16		17	19	22190-220002	3	10
	17	16		17	26	129972-77341	16	33			17
129155-42350	10	23	129486-59551	13	71	158552-51151	7	17	22217-140000	7	18
129155-49801	10	28	129508-12560	5	8	158552-51571	11	60			11
129155-51280	12	6	129508-44550	10	46			61	22252-000260	8	22
129155-61460	12	25	129509-51390	11	40	158552-51580	11	64	22312-050140	11	116
129202-22300	8	21	129550-13110	6	2	158552-51600	11	74	22351-030010	8	7
129210-59090	14	4		17	17	158552-51670	11	4	22351-050010	11	117
129210-59150	14	7	129550-59120	13	46	158552-51781	11	101	22351-060012	4	36
129211-77920	16	39	129601-03080	5	1	158552-52100	11	108	22512-070140	7	7
129240-79300	16	13	129601-11241	4	4	158552-52310	11	110			8
129242-55700	14	11 -1	129601-11251	4	5	158552-52400	11	111	22857-500100	4	50
129242-55720	14	14 -1	129601-11310	4	49	158552-52500	11	109			51
129242-55730	14	13 -1		17	12	158552-61900	12	78	23000-060000	5	16
129242-55740	14	17	129601-11350	4	41	158553-51551	11	57	23000-080000	5	17
129242-55750	14	18	129601-11700	4	16	158553-51630	11	75	23010-038000	10	64
129242-55760	14	19	129601-12100	5	3	158553-51640	11	77	23010-044000	10	65
129242-55770	14	20	129601-12590	5	9	158553-51660	11	79	23061-070230	10	57
129246-53001	13	2	129601-13109	6	1	158553-51670	11	69	23414-080000	10	18
129246-61061	12	89	129601-21002	8	1	158553-51680	11	80			17
129246-61441	12	24	129601-44500	10	45	158553-51770	11	107	23857-030000	9	16
129255-61410	12	22	129601-44560	10	59	158553-61050	12	3	23857-060000	11	118
129350-49530	10	30	129601-44600	10	48	158553-61070	12	4	23876-010000	10	12
129400-01730	3	6	129601-44610	10	49	158557-51570	11	62	23876-020000	10	13
129400-01770	3	7	129601-51250	11	132	158563-51281	11	38	23876-030000	2	3
129400-92430	17	31	129601-59810	13	51			39	23876-040000	2	4
129407-01340	1	29	129601-59820	13	55	158563-51330	11	49	23887-120002	11	105

## Parts No. Index

Parts No.	Fig. No.	Ref. No.
23887-120002	12	66
24311-000070	11	120
24311-000120	4	53
	17	13
24311-000160	14	15
24311-000320	2	22
	4	54
	17	5
24321-000650	14	16
24321-000750	14	16 -1
24341-000240	2	28
	17	6
24356-010180	11	121
24356-010200	11	72
		122
24372-000150	11	73
26013-080222	5	18
26014-060122	10	52
26106-060102	11	123
	12	68
26106-060142	12	84
		85
26106-060162	2	29
26106-060202	12	86
26106-060302	10	27
26106-080122	10	19
26106-080142	7	8
26106-080162	2	23
		24
	3	11
	4	3
	10	20
	11	133
26106-080202	5	5
	9	11
	11	134
26106-080222	10	32
26106-080252	3	12
	4	37
26106-080302	14	3
26106-080352	3	19
	4	38
	9	5
26106-080402	5	23
	7	14
26106-080452	3	13
		13 -1
	10	21
	16	34
26106-080502	3	20

Parts No.	Fig. No.	Ref. No.
26106-080502	4	39
26106-080552	2	25
	9	5 -1
26106-080602	10	22
26106-080802	5	6
		24
26116-120252	15	35
26206-100252	3	4
26206-100302	3	5
26226-080182	4	14
26306-080002	2	26
	6	6
26306-100002	16	30
26366-060002	9	19
26450-080452	11	127
26756-060002	12	69
26776-140002	7	19
	11	128
27241-120000	1	14
27241-300000	1	10
27241-400000	4	21
27310-080001	4	28
719802-01500	2	1
729246-53101	13	1
729402-23100	8	23
729601-14580	7	3
729602-01560	1	1
729602-92820	17	1
729647-51390	11	1
977770-1207F	17	32
X0280210230	15	10
X0283060061	15	2
X0283270140	15	11
X9490561001	16	3
X9490561370	15	3
X9491200240	15	4
X9491703371	15	17
X9491730461	15	25

Parts No.	Fig. No.	Ref. No.
-----------	----------	----------

Parts No.	Fig. No.	Ref. No.
-----------	----------	----------