

0CV10-M94500EN

# PREFACE

1.This Parts Catalog carries all parts incorporated in YANMAR Model 4TNV88-GKM engine manufactured since March, 2004.

2.Each illustration corresponds to the parts list on the following page.

3.When ordering parts,clearly write down the engine model and serial number,as well as the name and number of each part in your order sheet. This will help insure reliable delivery of the parts you have ordered.

## Directions for the Parts Catalog.

1. This Parts Catalog shows both standard and optional parts.
2. Parts may change without prior notice.
3. The following is an example of the Parts Catalog format.

REF.	LEV.	PARTS NO.	DESCRIPTION	Q'TY						I	R
				(A)	(B)	(C)	(D)	(E)	(F)		
1	1	729595-51390	FUEL INJECTION PUMP	1	1	1	1	1			1
1-1	1	729595-51391	FUEL INJECTION PUMP	1	1	1	1	1		N	1
		(A=E00185) (B=E00200)									
3	2	26022-060162	SCREW M 6X 16	9	9	9	9	9			
3-1	2	26022-060162	SCREW M 6X 16	4	4	4	4	4		K	
		(A=E00156) (B=E00156) (C=E00156) (D=E00156) (E=E00156)									
4	2	129470-51040	CAMSHAFT	1	1	1	1	1			
5	2	122710-51050	BEARING, ROLLER	2	2	2	2	2			
6	2	129470-51060	RETAINER	1	1	1	1	1			

Remarks
(1) BOOST COMPEMSATOR TYPE. OPTIONAL PART, TO E00155,(4JH-DT, 4JH-DTZ

### ① Ref. No.

The Ref. No. listed may not be in accordance with the illustration Ref. No.

(Ex.) Illustration No.

List Ref No.

1 1 (Before change) → 1-1 (After change)

For interchangeable symbols N, R and K, illustrations for new parts may be abbreviated.

### ② Lev. (Level)

Level indication

The numbers below indicate the level of relativity towards the main part.

1 ---- Main parts (Assembly parts)

2 ---- Sub component included in " 1 ".

3 ---- Sub component included in " 2 ".

Note) Parts that are not for sale are partially illustrated but not listed.

### ③ Interchangeability Symbol

When a part change takes place, one of the following interchangeability symbols is indicated beside the part.

Symbol	Interchangeability	Contents note
N	Old $\begin{matrix} \leftarrow \text{Yes} \\ \text{No} \rightarrow \end{matrix}$ New	New Part is interchangeable for Old Part but Old Part is not interchangeable for New Part.
Q	Old $\begin{matrix} \leftarrow \text{No} \\ \text{Yes} \rightarrow \end{matrix}$ New	New Part is not interchangeable for Old Part but Old Part is interchangeable for New Part.
R	Old $\begin{matrix} \leftarrow \text{Yes} \\ \text{Yes} \rightarrow \end{matrix}$ New	New/ Old Parts are both interchangeable.
S	Old $\begin{matrix} \leftarrow \text{No} \\ \text{No} \rightarrow \end{matrix}$ New	New/ Old Parts are both not interchangeable.
W		Part newly added.
Z		Part discontinued.
F		Not interchangeable by a single part but interchangeable together with related parts.
K		Changes only for used parts quantities.

### ④ Effective Machine No.

When a part changes, the effective Machine No. will be indicated in the (A)-(F) column.

Product Symbol	Product No.	Product Symbol	Product No.
C	Clutch No. Compressor No.	F	Machine No. (Agricultural Equip.)
D	Drive No.	M	Machine No.
E	Engine No.		

Note 1) A date may follow the symbol. (Ex.) 1996.01

Note 2) "XXXXX" and "ZZZZZ" are for parts that could not be predicted or for engine models that could not be identified.

Note 3) (A=E00185) is the E (Engine Serial Number) for the column (A) model (in this case 4JH-DT) after the parts design change.

### ⑤ Remarks

Figures or alphabets (symbols) are entered in the remarks column.

The comments (remarks) on parts that are indicated at the bottom of the illustration are the same symbols as those stated above.

## Contents

OCV10-M94500

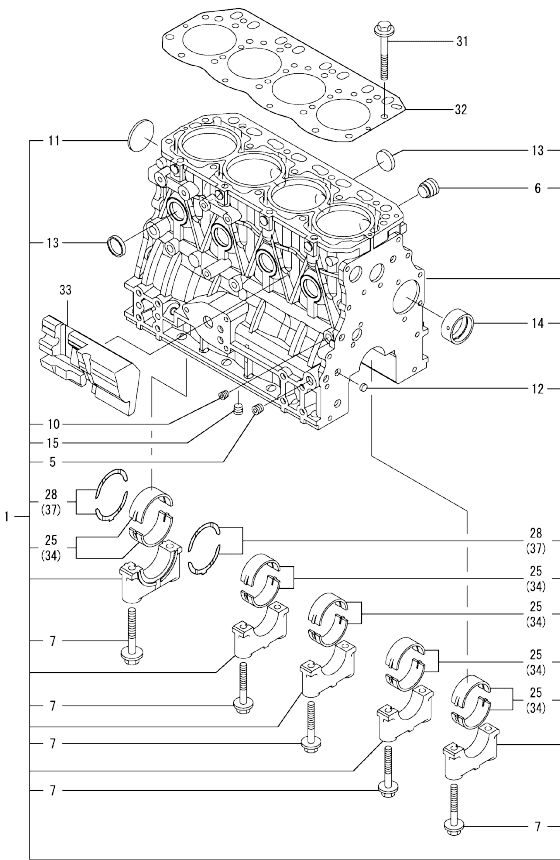
Fig. No.	Fig. Name	Fig. No.	Fig. Name
ENGINE SECTION			
1.	CYLINDER BLOCK		
2.	GEAR HOUSING		
3.	MOUNTING FLANGE & OIL SUMP		
4.	CYLINDER HEAD & BONNET		
5.	SUCTION MANIFOLD		
6.	CAMSHAFT & DRIVING GEAR		
7.	CRANKSHAFT & PISTON		
8.	LUB.OIL SYSTEM		
9.	COOLING SEA WATER SYSTEM		
10.	COOLING FRESH WATER SYSTEM		
11.	COOLING FRESH WATER COOLER		
12.	FUEL INJECTION PUMP		
13.	FUEL INJECTION VALVE		
14.	FUEL LINE		
15.	STARTING MOTOR		
16.	GENERATOR		
17.	GASKET SET		

0CV10-M94500 ENGINE SECTION  
 Fig.1. CYLINDER BLOCK

0CV10-M94500 Fig.1

(A)=4TNV88-GKM  
 (B)=  
 (C)=

(D)=  
 (E)=  
 (F)=



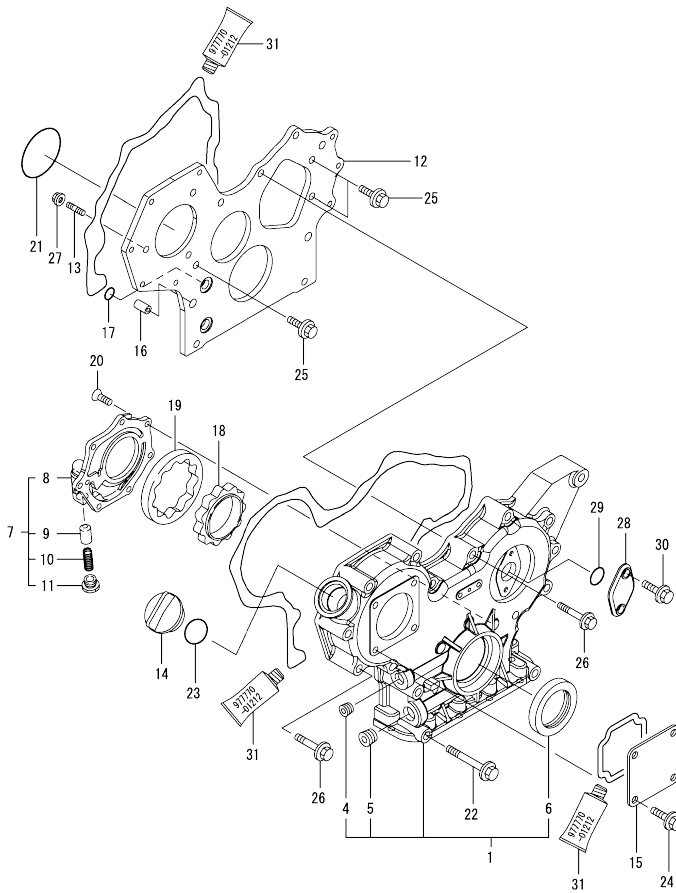
No.	Lev.	Parts No.	Description	Q'ty						I	R
				(A)	(B)	(C)	(D)	(E)	(F)		
1	1	729602-01560	BLOCK ASSY, CYLINDER	1							
5	2	124160-01910	PLUG, PT1/4	2							
6	2	171051-01921	PLUG, NPTF1	1							
7	2	129150-02020	BOLT, METAL CAP	10							
10	2	124060-01050	PLUG, PT1/8	1							
11	2	129001-01250	PLUG, 50	1							
12	2	27241-120000	PLUG, 12	2							
13	2	27241-300000	PLUG 30	8							
14	2	129795-02411	BUSH, CAMSHAFT	1							
15	2	124160-01910	PLUG, PT1/4	1							
25	2	129001-02930	BEARING, MAIN	5							3
28	2	129150-02930	BEARING, THRUST	2							
31	1	129150-01200	BOLT, HEAD	18							
32	1	129407-01340	GASKET, HEAD	1							
33	1	129004-01190	SPACER	1							
34	1	129150-02870	BEARING, 0.25 US	5							1
37	1	129150-02940	BEARING, THRUST 0.25	1							2

Remarks  
 (1) UNDER-SIZE(U.S=0.25)PART.  
 (2) OVER-SIZE(O.S=0.25)PART.  
 (3) REPAIR PART.

N:Old  $\frac{100}{100}$  New, Q:Old  $\frac{100}{100}$  New, R:Old  $\frac{100}{100}$  New, S:Old  $\frac{100}{100}$  New, W:Add, Z:Discontinued, F:Interchangeable by set, K:Q'ty Change  
 Copyright (C) YANMAR GLOBAL CS CO., LTD. All Rights Reserved.

OCV10-M94500 ENGINE SECTION  
 Fig.2. GEAR HOUSING

OCV10-M94500 Fig.2



(A)=4TNV88-GKM  
 (B)=  
 (C)=

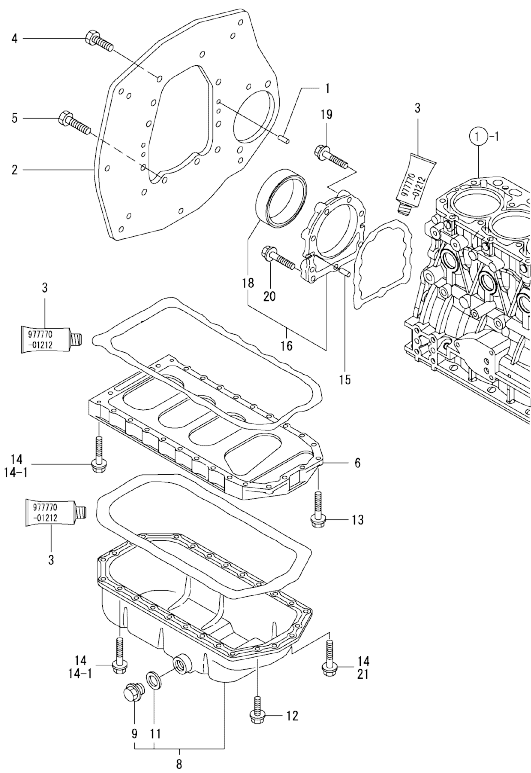
(D)=  
 (E)=  
 (F)=

No.	Lev.	Parts No.	Description	Qty						I	R
				(A)	(B)	(C)	(D)	(E)	(F)		
1	1	719802-01500	CASE ASSY, GEAR	1							
4	2	23876-030000	PLUG, R03	1							
5	2	23876-040000	PLUG, R04	1							
6	2	129795-01800	SEAL, OIL	1							
7	1	119802-32100	COVER ASSY	1							
8	2	119802-32070	COVER	1							
9	2	129900-32130	VALVE, RELIEF	1							
10	2	129418-32320	SPRING	1							
11	2	129001-32330	PLUG	1							
12	1	119802-01520	FLANGE, GEAR CASE	1							
13	1	119802-01560	STUD, M8X25	3							
14	1	124160-01751	COVER, FILLER	1							
15	1	124240-01871	COVER	1							
16	1	129795-01950	PIPE, KNOCK L=18	2							
17	1	119609-32040	O-RING, P16	4							
18	1	119802-32111	ROTOR, INNER	1							
19	1	119802-32120	ROTOR, OUTER	1							
20	1	119802-32130	SCREW, M6X16	7							
21	1	121850-51960	O-RING	1							
22	1	129001-91841	BOLT, M8X85	3							
23	1	24311-000320	O-RING, 1AP32.0	1							
24	1	26106-080162	BOLT, M8X 16 PLATED	4							
25	1	26106-080162	BOLT, M8X 16 PLATED	3							
26	1	26106-080552	BOLT, M8X 55 PLATED	12							
27	1	26306-080002	NUT, M8	3							
28	1	121023-01550	COVER	1							
29	1	24341-000240	O-RING, 1AS24.0	1							
30	1	26106-060162	BOLT, M6X 16 PLATED	2							
31	1	977770-01212	GASKET, LIQUID	1							1

Remarks  
 (1) OPTIONAL PART.

N:Old  $\frac{100}{100}$  New. Q:Old  $\frac{100}{100}$  New. R:Old  $\frac{100}{100}$  New. S:Old  $\frac{100}{100}$  New. W:Add. Z:Discontinued. F:Interchangeable by set. K:Qty Change  
 Copyright (C) YANMAR GLOBAL CS CO., LTD. All Rights Reserved.

Fig.3. MOUNTING FLANGE & OIL SUMP



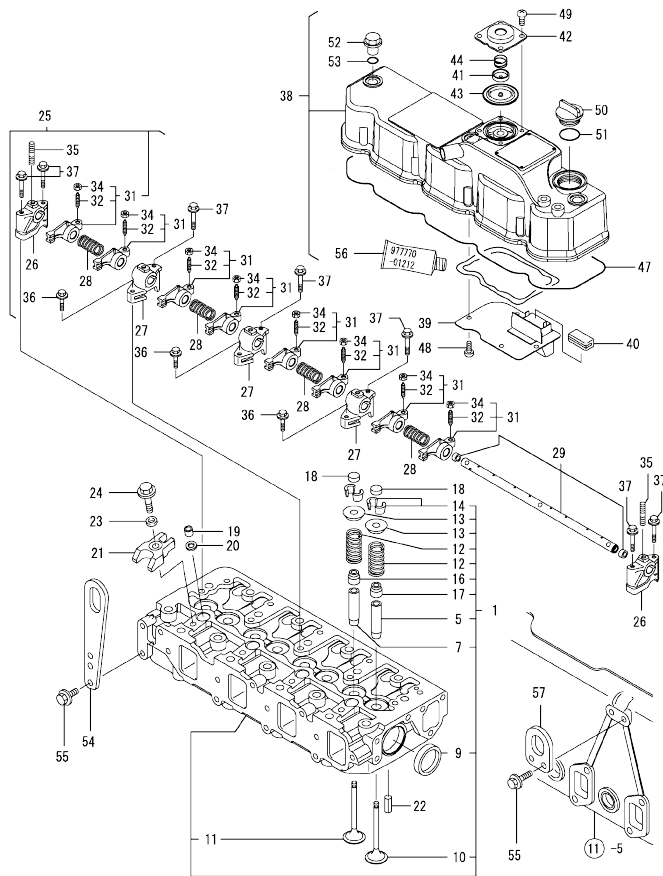
(A)=4TNV88-GKM  
(B)=  
(C)=

(D)=  
(E)=  
(F)=

No.	Lev.	Parts No.	Description	Q'ty						I	R
				(A)	(B)	(C)	(D)	(E)	(F)		
1	1	129100-01580	PIN, M8X16	2							
2	1	129176-01601	FLANGE, MOUNTING	1							
3	1	977770-01212	GASKET, LIQUID	1							1
4	1	26206-100202	BOLT, M10X 20 PLATED	6							
5	1	26206-100252	BOLT, M10X 25 PLATED	4							
6	1	129400-01730	SPACER, OIL SUMP	1							
8	1	729577-01720	SUMP ASSY, OIL	1							
9	2	119640-01640	PLUG, DRAIN M22	1							
11	2	22190-220002	WASHER, SEAL 22	1							
12	1	26106-080162	BOLT, M8X 16 PLATED	4							
13	1	26106-080252	BOLT, M8X 25 PLATED	2							
14	1	26106-080452	BOLT, M8X 45 PLATED	24							
14-1	1	26106-080452	BOLT, M8X 45 PLATED	20							K
(A=FROM 1ST)											
15	1	129100-01580	PIN, M8X16	2							
16	1	129100-01640	CASE ASSY, OIL SEAL	1							
18	2	129795-01780	SEAL, OIL	1							
19	1	129486-01670	BOLT, M8X30	6							
20	1	26106-080352	BOLT, M8X 35 PLATED	3							
21	1	26106-080502	BOLT, M8X 50 PLATED	4							W
(A=FROM 1ST)											

Remarks  
(1) OPTIONAL PART.

Fig.4. CYLINDER HEAD & BONNET



(A)=4TNV88-GKM  
(B)=  
(C)=

(D)=  
(E)=  
(F)=

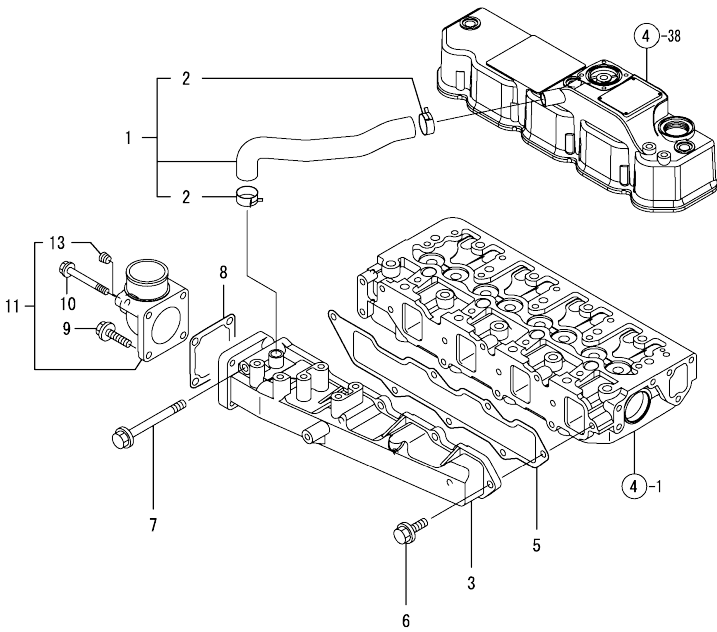
No.	Lev.	Parts No.	Description	(A)	(B)	(C)	(D)	(E)	(F)	I	R
1	1	129601-11700	HEAD ASSY, CYLINDER	1							
5	2	120130-11860	GUIDE, VALVE	4							1
7	2	129150-11810	GUIDE, VALVE	4							1
9	2	27241-400000	PLUG, 40	2							
10	2	129004-11100	VALVE, INTAKE	4							
11	2	129100-11110	VALVE, EXHAUST	4							
12	2	129795-11120	SPRING, VALVE	8							
13	2	129795-11180	RETAINER, SPRING	8							
14	2	27310-080001	COTTER, 8	8							
16	2	121400-11340	SEAL, VALVE STEM	4							
17	2	124460-11340	SEAL, VALVE STEM	4							
18	1	129150-11370	CAP, VALVE	8							
19	1	119802-11870	PROTECTOR, NOZZLE	4							
20	1	119625-11880	SEAT, NOZZLE	4							
21	1	129004-11900	RETAINER, NOZZLE	4							
22	1	22351-060012	PIN, SPRING 6.0X12	2							
23	1	120270-54410	WASHER, INJECTOR	4							
24	1	26106-080352	BOLT, M8X 35 PLATED	4							
25	1	129601-11241	SHAFT ASSY, ROCKER	1							
26	2	119802-11260	SUPPORT, ROCKER ARM	2							
27	2	119802-11270	SUPPORT, ROCKER ARM	3							
28	2	129150-11280	SPRING	4							
29	2	129601-11251	SHAFT, ROCKER ARM	1							
31	2	129004-11650	ARM, ROCKER	8							
32	3	129150-11230	SCREW, VALVE ADJUST	8							
34	3	129150-11750	NUT, M8	8							
35	2	26226-080182	STUD, M8X 18	3							
36	1	26106-080252	BOLT, M8X 25 PLATED	3							
37	1	26106-080502	BOLT, M8X 50 PLATED	7							
38	1	129601-11350	BONNET ASSY, HEAD	1							
39	2	129004-03010	PLATE	1							
40	2	129150-03070	BAFFLE, BREATHER	1							
41	2	119802-03110	PLATE	1							
42	2	119802-03120	COVER, DIAPHRAGM	1							
43	2	119802-03130	DIAPHRAGM	1							
44	2	119802-03140	SPRING, DIAPHRAGM	1							
47	2	129601-11310	GASKET, BONNET	1							
48	2	22857-500100	SCREW, 5X10	4							
49	2	22857-500100	SCREW, 5X10	4							
50	1	124160-01751	COVER, FILLER	1							
51	1	24311-000320	O-RING, 1AP32.0	1							
52	1	124160-11360	KNOB	3							
53	1	24311-000120	O-RING, 1AP12.0	3							
54	1	129800-07900	LIFTER	1							
55	1	26106-080162	BOLT, M8X 16 PLATED	4							
56	1	977770-01212	GASKET, LIQUID	1							2
57	1	129470-07230	LIFTER	1							

Remarks

- (1) REPAIR PART.
- (2) OPTIONAL PART.

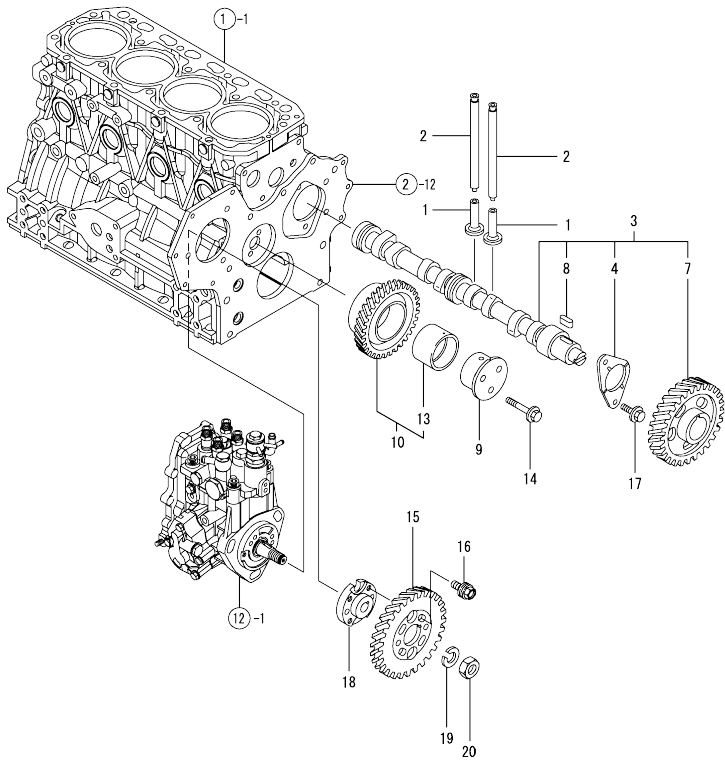


Fig.5. SUCTION MANIFOLD



No.	Lev.	Parts No.	Description	Q'ty						I	R
				(A)	(B)	(C)	(D)	(E)	(F)		
1	1	129601-03080	PIPE , BREATHER	1							
2	2	129410-03990	CLAMP 22		2						
3	1	129601-12100	MANIFOLD, AIR INTAKE	1							
5	1	129407-12110	GASKET, MANIFOLD	1							
6	1	26106-080202	BOLT, M8X 20 PLATED		6						
7	1	26106-080802	BOLT, M8X 80 PLATED		1						
8	1	129150-77511	GASKET	1							
9	1	26106-080202	BOLT, M8X 20 PLATED		2						
10	1	26106-080652	BOLT, M8X 65 PLATED		2						
11	1	129649-12210	JOINT ASSY	1							
13	2	23876-010000	PLUG, R01		1						

Fig.6. CAMSHAFT & DRIVING GEAR



(A)=4TNV88-GKM  
(B)=  
(C)=

(D)=  
(E)=  
(F)=

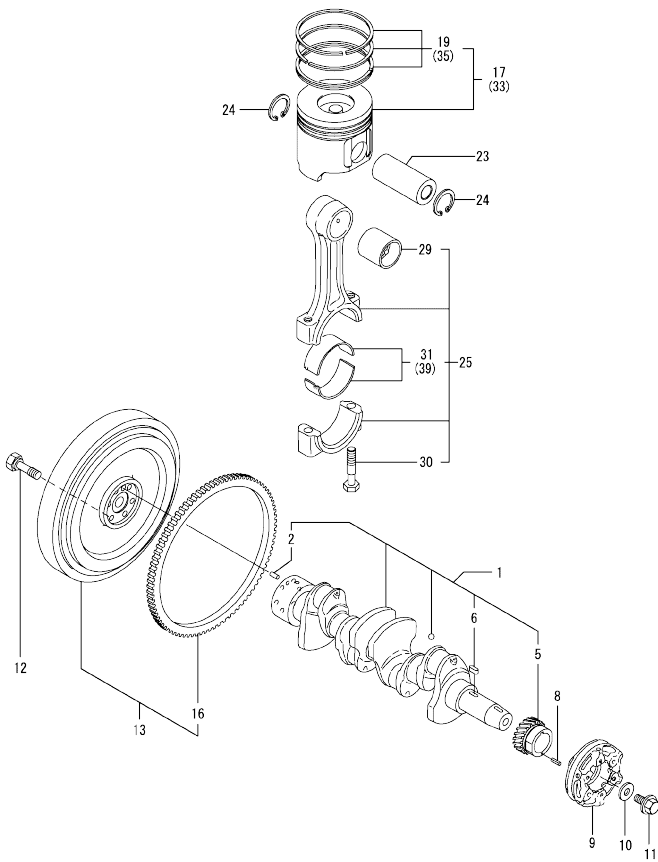
No.	Lev.	Parts No.	Description	Q'ty						I	R
				(A)	(B)	(C)	(D)	(E)	(F)		
1	1	129150-14200	TAPPET	8							
2	1	129150-14400	ROD, PUSH L=178	8							
3	1	729601-14580	CAMSHAFT ASSY	1							
4	2	129150-02450	BEARING, THRUST	1							
7	2	129150-14101	GEAR, CAMSHAFT	1							
8	2	22512-070140	KEY, 7X 14	1							
9	1	119802-25051	SHAFT, IDLE	1							
10	1	119802-25100	GEAR ASSY, IDLE	1							
13	2	119802-25070	BUSH, IDLE GEAR	1							1
14	1	26106-080402	BOLT, M8X 40 PLATED	3							
15	1	119802-25901	GEAR, PUMP	1							
16	1	129150-25301	BOLT	4							
17	1	26106-080142	BOLT, M8X 14 PLATED	2							
18	1	158552-51151	FLANGE	1							
19	1	22217-140000	WASHER, SPRING 14	1							
20	1	26776-140002	NUT, LOCK M14	1							

Remarks  
(1) REPAIR PART.

Fig.7. CRANKSHAFT & PISTON

(A)=4TNV88-GKM  
(B)=  
(C)=

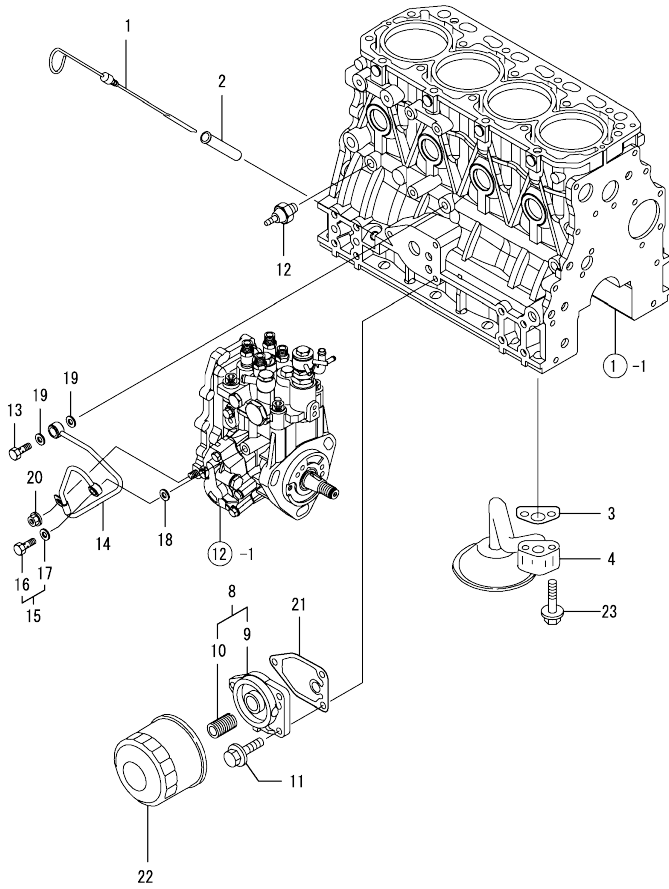
(D)=  
(E)=  
(F)=



No.	Lev.	Parts No.	Description	Q'ty						I	R
				(A)	(B)	(C)	(D)	(E)	(F)		
1	1	129601-21001	CRANKSHAFT ASSY	1							
2	2	129100-01580	PIN, M8X16	1							
5	2	119802-21201	GEAR, CRANKSHAFT	1							
6	2	22512-070140	KEY, 7X 14	1							
8	1	22351-030010	PIN, SPRING 3.0X10	1							
9	1	129579-21651	V-PULLEY	1							
10	1	129795-21661	WASHER	1							
11	1	121850-21680	BOLT	1							
12	1	121111-21501	BOLT, FLYWHEEL	6							
13	1	129489-21570	FLYWHEEL ASSY	1							
16	2	124550-21600	GEAR, RING	1							
17	1	129005-22080	PISTON ASSY	4							
19	2	129005-22500	RING SET, PISTON	4							
23	1	129202-22300	PIN, PISTON D26 L70	4							
24	1	22252-000260	RING, 26	8							
25	1	729402-23100	ROD ASSY, CONNECTING	4							
29	2	129100-23910	BEARING, PISTON PIN	4							1
30	2	121550-23200	BOLT, CONNECTING ROD	8							
31	2	129150-23600	BEARING, CRANK PIN	4							
33	1	129005-22900	PISTON ASSY, 0.25 OS	4							2
35	2	129005-22950	RING SET, 0.25 OS	4							2
39	1	129150-23610	BEARING, 0.25 US	4							3

Remarks  
(1) REPAIR PART.  
(2) OVER-SIZE(O.S=0.25)PART.  
(3) UNDER-SIZE(U.S=0.25)PART.

OCV10-M94500 ENGINE SECTION  
 Fig.8. LUB.OIL SYSTEM



Remarks  
 (1) REPAIR PART.

OCV10-M94500 Fig.8

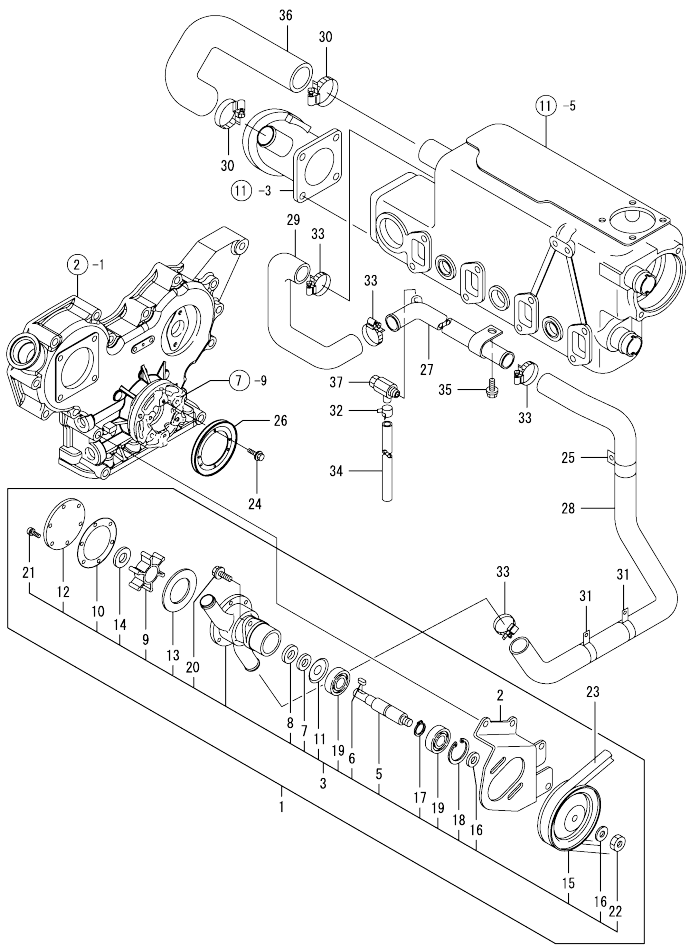
(A)=4TNV88-GKM  
 (B)=  
 (C)=

(D)=  
 (E)=  
 (F)=

No.	Lev.	Parts No.	Description	Q'ty						I	R
				(A)	(B)	(C)	(D)	(E)	(F)		
1	1	129005-34801	DIPSTICK, OIL	1							
2	1	121520-34810	GUIDE, DIPSTICK	1							
3	1	129150-35041	GASKET	1							
4	1	129150-35091	PIPE ASSY, OIL INLET	1							
8	1	119802-35100	BRACKET ASSY, FILTER	1							
9	2	119802-35110	BRACKET, FILTER	1							
10	2	129100-35140	STUD	1							
11	1	26106-080202	BOLT, M8X 20 PLATED	3							
12	1	114250-39450	SWITCH, 0.5KG	1							
13	1	124160-39140	BOLT, PIPE JOINT M10	1							
14	1	119802-39450	PIPE ASSY, OIL	1							
15	1	129005-59830	BOLT ASSY, JOINT M8	1							
16	2	23857-030000	BOLT, JOINT 3	1							
17	2	22190-080002	WASHER, SEAL 6	1							
18	1	22190-080002	WASHER, SEAL 6	1							
19	1	22190-100002	WASHER, SEAL 10	2							
20	1	26366-060002	NUT, M6	1							
21	1	129150-35111	GASKET	1							
22	1	129150-35170	FILTER, LO	1							1
23	1	26106-080352	BOLT, M8X 35 PLATED	2							

N:Old  $\frac{100}{100}$  New, Q:Old  $\frac{100}{100}$  New, R:Old  $\frac{100}{100}$  New, S:Old  $\frac{100}{100}$  New, W:Add, Z:Discontinued, F:Interchangeable by set, K:Q'ty Change  
 Copyright (C) YANMAR GLOBAL CS CO., LTD. All Rights Reserved.

Fig.9. COOLING SEA WATER SYSTEM

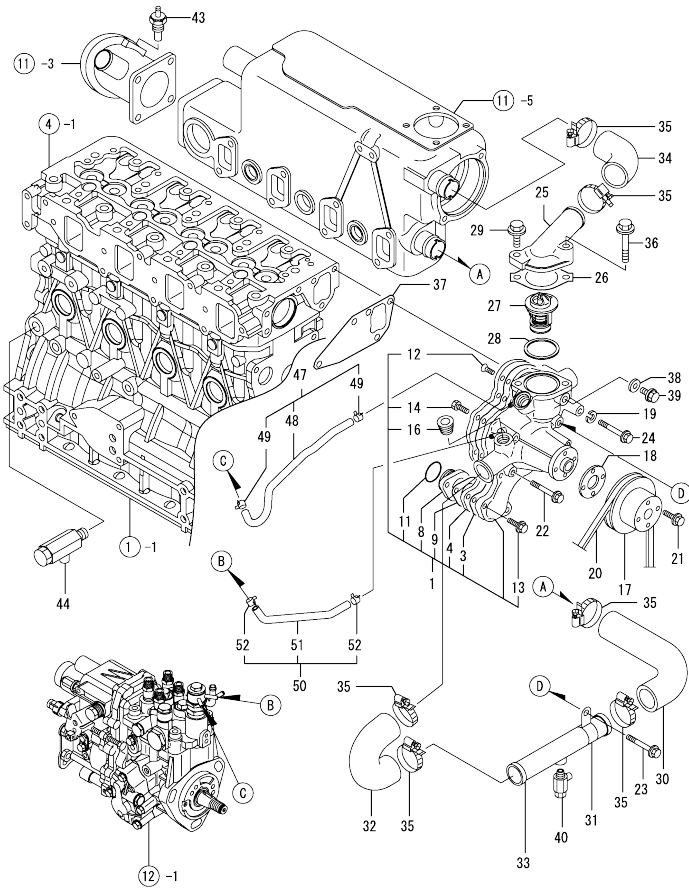


(A)=4TNV88-GKM  
(B)=  
(C)=

(D)=  
(E)=  
(F)=

No.	Lev.	Parts No.	Description	Qty						I	R
				(A)	(B)	(C)	(D)	(E)	(F)		
1	1	129647-42500	PUMP ASSY, WATER	1							
2	2	129647-42150	BRACKET, PUMP	1							
3	2	129579-42501	PUMP ASSY, WATER	1							
5	3	121575-42021	SHAFT, IMPELLER	1							
6	3	124223-42040	KEY	1							
7	3	124223-42070	PIECE	1							
8	3	124223-42080	SEAL, TC13X28X7	1							
9	3	124223-42091	IMPELLER	1							
10	3	124223-42110	GASKET, WATER PUMP	1							
11	3	121575-42120	COVER, BEARING	1							
12	3	121575-42150	COVER	1							
13	3	129579-42160	PLATE	1							
14	3	129579-42190	COVER	1							
15	3	124070-42400	V-PULLEY	1							
16	3	124070-42420	WASHER	2							
17	3	22242-000150	RING, 15	1							
18	3	22252-000350	RING, 35	1							
19	3	24107-062024	BEARING, BALL 6202ZZ	2							
20	3	26014-080162	BOLT, M8X 16	2							
21	3	26113-040088	BOLT, M4X 8	6							
22	3	129579-42590	NUT, M8	1							
23	1	104214-42780	V-BELT, HM30	1							
24	1	26106-060082	BOLT, M6X 8 PLATED	4							
25	1	127610-03270	RETAINER	1							
26	1	104407-21600	V-PULLEY	1							
27	1	129611-49010	PIPE, WATER	1							
28	1	171487-49010	PIPE, WATER	1							
29	1	129475-49020	PIPE, WATER	1							
30	1	23000-035000	CLAMP, 35	2							
31	1	129579-49460	RETAINER, D32	2							
32	1	124460-77680	RETAINER	2							
33	1	23000-035000	CLAMP, 35	4							
34	1	23061-070300	PIPE, 7X 300	2							
35	1	26106-080162	BOLT, M8X 16 PLATED	1							
36	1	129475-49040	PIPE, WATER	1							
37	1	129670-49290	COCK ASSY, R1/8	1							

Fig.10. COOLING FRESH WATER SYSTEM



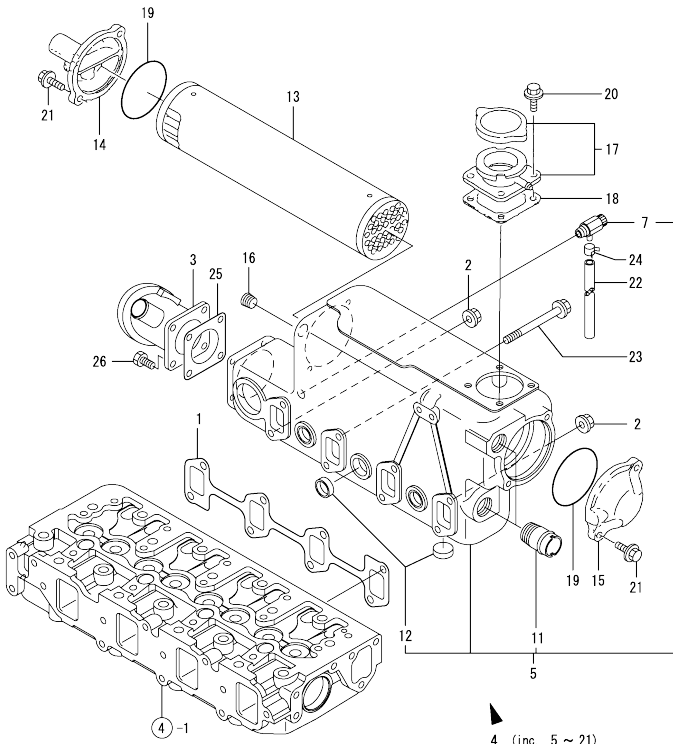
(A)=4TNV88-GKM  
(B)=  
(C)=

(D)=  
(E)=  
(F)=

No.	Lev.	Parts No.	Description	(A)	(B)	(C)	(D)	(E)	(F)	I	R
1	1	129247-42000	PUMP ASSY, WATER	1							
3	2	129150-42059	GASKET	1							
4	2	129150-42129	PLATE, PUMP	1							
8	2	129150-42300	FLANGE	1							
9	2	129150-42319	GASKET, FLANGE	1							
11	2	129054-42320	O-RING	1							
12	2	26577-060152	SCREW, M6X15	3							
13	2	26106-060202	BOLT, M6X 20 PLATED	2							
14	2	26116-060162	BOLT, M6X 16 PLATED	3							
16	2	129916-49740	PLUG, R3/8	2							
17	1	129550-42350	V-PULLEY, PUMP	1							
18	1	129156-44760	WASHER, FAN	1							
19	1	22217-080000	WASHER, SPRING 8	1							
20	1	25132-004400	V-BELT, A44	1							Z
(A=E03662)											
21	1	26106-060102	BOLT, M6X 10 PLATED	4							
22	1	26106-080552	BOLT, M8X 55 PLATED	2							
23	1	26106-080552	BOLT, M8X 55 PLATED	1							
24	1	26106-080652	BOLT, M8X 65 PLATED	1							
25	1	129470-49540	COVER, THERMOSTAT	1							
26	1	129795-49551	GASKET, COVER	1							
27	1	129457-49801	THERMOSTAT, 82C	1							
28	1	129470-49810	GASKET, THERMOSTAT	1							
29	1	26106-080252	BOLT, M8X 25 PLATED	1							
30	1	129470-49200	JOINT, RUBBER	1							
31	1	129470-49220	RETAINER	1							
32	1	129470-49240	JOINT, RUBBER 28	1							
33	1	129470-49250	PIPE, FRESH WATER	1							
34	1	129470-49260	JOINT, COOLER INLET	1							
35	1	23000-041000	CLAMP, 41	6							
36	1	26106-080352	BOLT, M8X 35 PLATED	1							
37	1	129486-42050	GASKET, WATER PUMP	1							
38	1	23414-080000	GASKET, 8X1.0	1							
39	1	26106-080122	BOLT, M8X 12 PLATED	1							
40	1	129670-49290	COCK ASSY, R1/8	1							
43	1	127610-91350	SWITCH, TEMPERATURE	1							
44	1	119620-49290	COCK ASSY, 1/4	1							
47	1	129263-49610	HOSE ASSY, WATER A	1							
48	2	129263-49710	HOSE, WATER	1							
49	2	124722-59050	CLAMP, HOSE 9	2							
50	1	129263-49620	HOSE ASSY, WATER B	1							
51	2	129263-49720	HOSE, WATER	1							
52	2	124722-59050	CLAMP, HOSE 9	4							

N:Old  $\frac{New}{Old}$  New, Q:Old  $\frac{New}{Old}$  New, R:Old  $\frac{New}{Old}$  New, S:Old  $\frac{New}{Old}$  New, W:Add, Z:Discontinued, F:Interchangeable by set, K:Qty Change  
Copyright (C) YANMAR GLOBAL CS CO., LTD. All Rights Reserved.

Fig.11. COOLING FRESH WATER COOLER

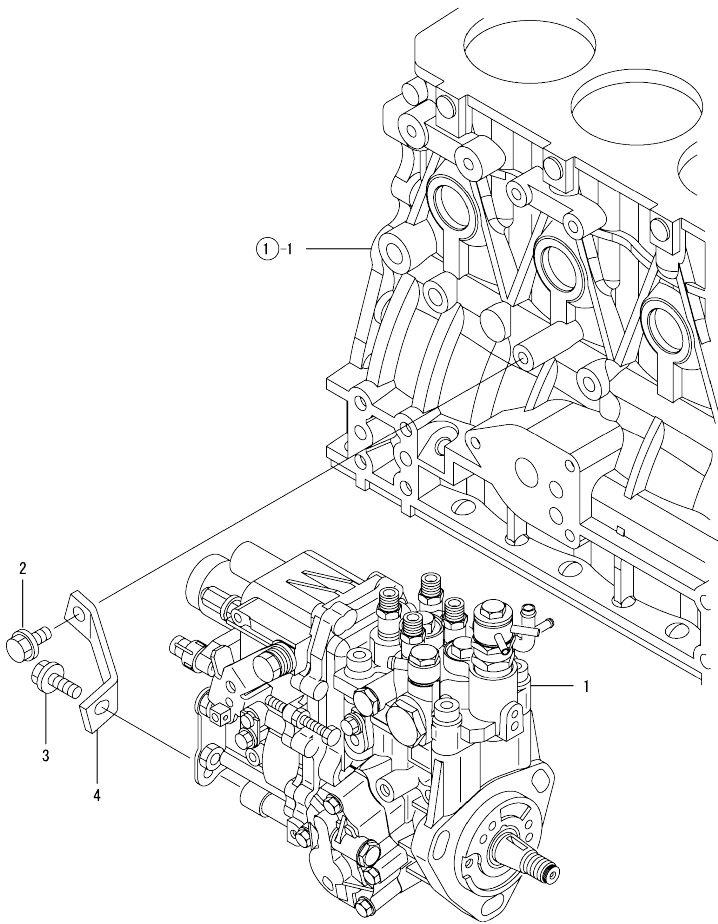


(A)=4TNV88-GKM  
(B)=  
(C)=

(D)=  
(E)=  
(F)=

No.	Lev.	Parts No.	Description	Q'ty						I	R
				(A)	(B)	(C)	(D)	(E)	(F)		
1	1	129550-13110	GASKET	1							
2	1	26306-080002	NUT, M8	2							
3	1	129619-13560	ELBOW	1							
4	1	129619-44900	COOLER ASSY, WATER	1							
5	2	171487-44000	CORE ASSY, COOLER	1							
7	3	43600-500310	COCK	1							
11	3	124160-49480	JOINT, PIPE	2							
12	3	27241-280000	PLUG, 28	4							
13	2	129473-44111	CORE ASSY, COOLER	1							
14	2	129470-44440	COVER, A	1							
15	2	129470-44450	COVER, B	1							
16	2	23876-030000	PLUG, R03	1							
17	2	129171-44600	FILLER ASSY	1							
18	2	120445-44640	GASKET	1							
19	2	24321-000750	O-RING, 1AG75.0	2							
20	2	26106-080162	BOLT, M8X 16 PLATED	4							
21	2	26106-080252	BOLT, M8X 25 PLATED	4							
22	1	23061-120300	PIPE, 12X 300	1							
23	1	26106-081002	BOLT, M8X100 PLATED	6							
24	1	23080-013000	CLAMP, 13	1							
25	1	129472-18090	GASKET	1							
26	1	26115-080202	BOLT, M8X 20	4							

Fig.12. FUEL INJECTION PUMP



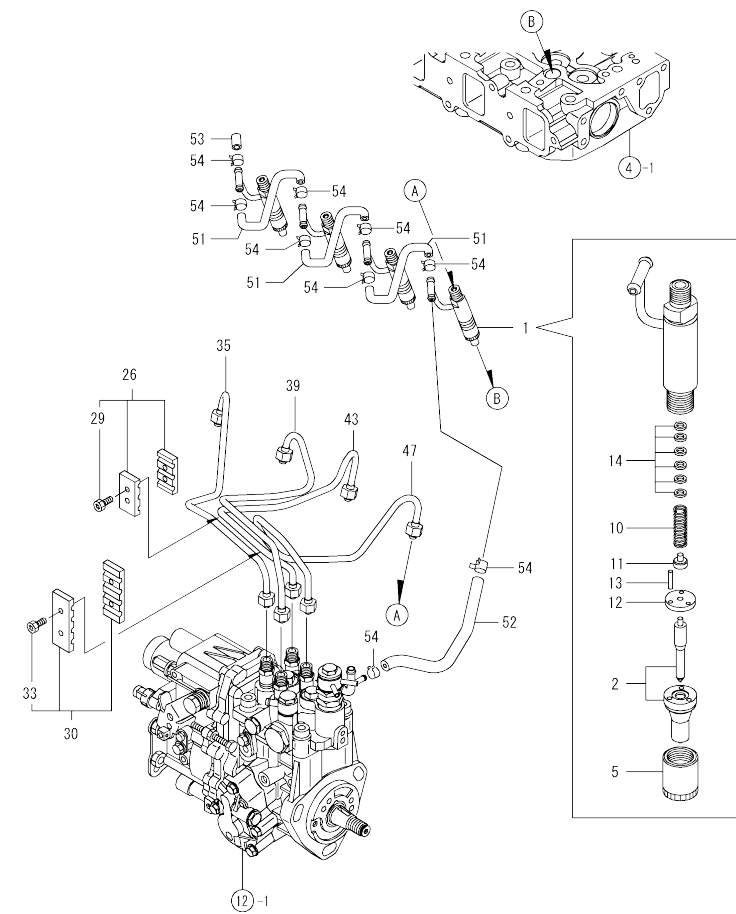
(A)=4TNV88-GKM  
(B)=  
(C)=

(D)=  
(E)=  
(F)=

No.	Lev.	Parts No.	Description	Q'ty						I	R
				(A)	(B)	(C)	(D)	(E)	(F)		
1	1	729647-51390	PUMP ASSY, INJECTION	1							
2	1	26106-080162	BOLT, M8X 16 PLATED	1							
3	1	26106-080202	BOLT, M8X 20 PLATED	1							
4	1	129601-51250	RETAINER, PUMP	1							



Fig.13. FUEL INJECTION VALVE

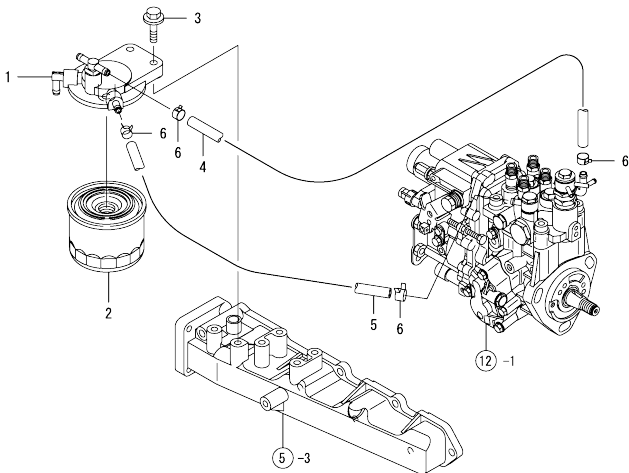


(A)=4TNV88-GKM  
(B)=  
(C)=

(D)=  
(E)=  
(F)=

No.	Lev.	Parts No.	Description	Q'ty						I	R
				(A)	(B)	(C)	(D)	(E)	(F)		
1	1	729246-53101	VALVE ASSY,INJECTION	4							
2	2	129246-53001	VALVE ASSY,INJECTION	4							
5	2	114250-53080	NUT, NOZZLE D16.95	4							
10	2	114250-53120	SPRING, NOZZLE	4							
11	2	114250-53130	SEAT, SPRING	4							
12	2	114250-53140	PLATE	4							
13	2	114250-53210	PIN	8							
14	2	114250-53400	SHIM SET	4							
26	1	129150-59120	RETAINER, PIPE	1							
29	2	129150-59131	BOLT, M4X14	2							
30	1	129550-59120	RETAINER, PIPE	1							
33	2	129150-59131	BOLT, M4X14	2							
35	1	129601-59810	PIPE ASSY, INJECTION	1							
39	1	129601-59820	PIPE ASSY, INJECTION	1							
43	1	129601-59830	PIPE ASSY, INJECTION	1							
47	1	129601-59840	PIPE ASSY, INJECTION	1							
51	1	129270-59550	PIPE, FUEL	3							
52	1	119802-59570	PIPE, FUEL	1							
53	1	129270-59580	CAP	1							
54	1	23000-013000	CLAMP, 13	9							

Fig.14. FUEL LINE

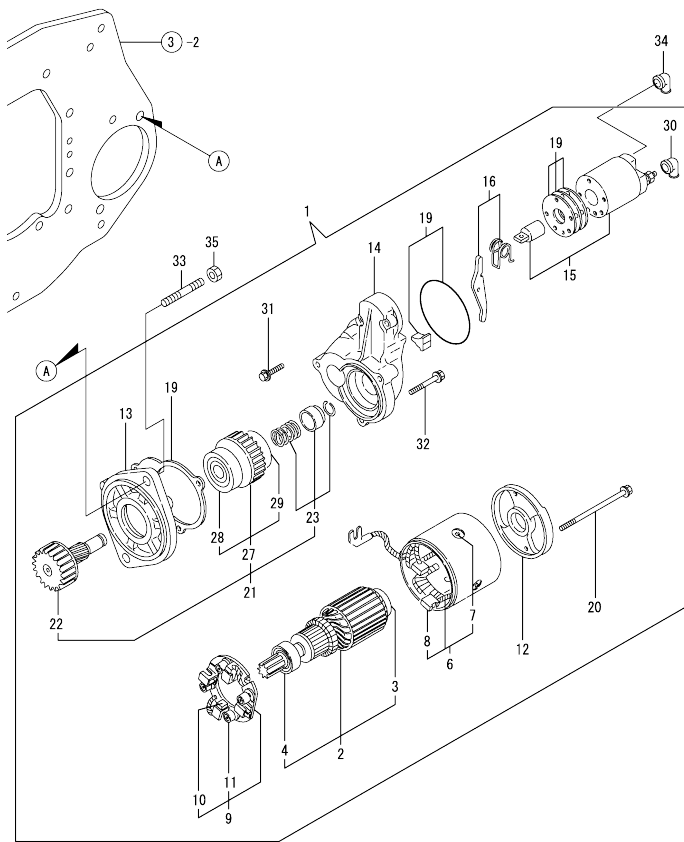


(A)=4TNV88-GKM  
(B)=  
(C)=

(D)=  
(E)=  
(F)=

No.	Lev.	Parts No.	Description	Q'ty					
				(A)	(B)	(C)	(D)	(E)	(F)
1	1	129004-55610	BRACKET, FILTER	1					
2	1	119802-55800	FILTER, FUEL	1					
3	1	26106-080302	BOLT, M8X 30 PLATED	2					
4	1	129649-59010	PIPE, FUEL RETURN	1					
5	1	128370-59102	PIPE, FUEL	1					
6	1	23000-016000	CLAMP, 16	4					

Fig.15. STARTING MOTOR



(A)=4TNV88-GKM  
(B)=  
(C)=

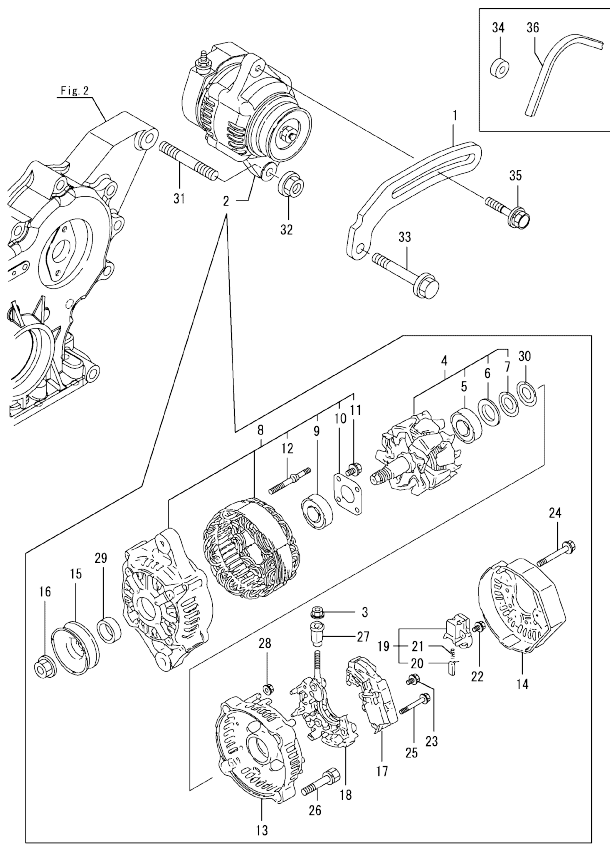
(D)=  
(E)=  
(F)=

No.	Lev.	Parts No.	Description	Qty						I	R
				(A)	(B)	(C)	(D)	(E)	(F)		
1	1	171008-77010	STARTER, S114-483	1							
2	2	171008-77400	ARMATURE ASSY	1							
3	3	X2130350900	BALL BEARING	1							
4	3	X2114255110	BEARING, BALL	1							
6	3	171008-77440	COIL ASSY, FIELD	1							
7	4	171008-77450	SCREW	4							
8	4	171008-77460	BRUSH (+)	2							
9	2	171008-77470	HOLDER ASSY, BRUSH	1							
10	3	171008-77480	BRUSH (-)	2							
11	3	171008-77490	SPRING, BRUSH	4							
12	2	171008-77500	COVER, REAR	1							
13	2	171008-77510	HOUSING ASSY, GEAR	1							
14	2	171008-77520	HOUSING, CENTER	1							
15	2	171008-77531	MAGNETIC SWITCH ASSY	1							
16	2	171008-77540	LEVER SET, SHIFT	1							
19	2	171008-77571	DUST COVER, (NON-ASB.	1							
20	2	171008-77640	BOLT, THROUGH	2							
21	2	171008-77650	PINION ASSY	1							
22	3	171008-77660	SHAFT, PINION	1							
23	3	171008-77670	STOPPER SET, PINION	1							
27	3	X2114555500	CLUTCH ASSY	1							
28	4	X2114955020	BALL BEARING	1							
29	4	X2240410100	BEARING, BALL	1							
30	2	171008-77750	COVER, M TERMINAL	1							
31	2	26106-060322	BOLT, M6X 32 PLATED	2							
32	2	26106-060402	BOLT, M6X 40 PLATED	3							
33	1	124450-01610	STUD	2							
34	1	124550-77030	COVER, TERMINAL	1							
35	1	26716-120002	NUT, M12	2							

Fig.16. GENERATOR

(A)=4TNV88-GKM  
(B)=  
(C)=

(D)=  
(E)=  
(F)=



No.	Lev.	Parts No.	Description	Q'ty						I	R
				(A)	(B)	(C)	(D)	(E)	(F)		
1	1	119940-77330	ADJUSTER, BELT	1							
1-1	1	119802-77330 (A=E02296)	ADJUSTER, BELT	1							N
1-2	1	129410-77330 (A=E03662)	ADJUSTER, BELT	1							N
2	1	129423-77200	GENERATOR, 12V-40A	1							Z
3	2	X9490561001 (A=E03662)	NUT	1							Z
4	2	119620-77380 (A=E03662)	ROTOR ASSY	1							Z
5	3	119620-79240 (A=E03662)	BEARING, BALL	1							Z
6	3	119620-79250 (A=E03662)	COVER, BEARING	1							Z
7	3	119620-79360 (A=E03662)	WASHER, THRUST	1							Z
8	2	119620-77421 (A=E03662)	FRAME ASSY, DRIVE	1							Z
9	3	119620-79200 (A=E03662)	BEARING, BALL	1							Z
10	3	119620-79210 (A=E03662)	PLATE, RETAINER	1							Z
11	3	119620-79220 (A=E03662)	SCREW	4							Z
12	3	119620-79230 (A=E03662)	STUD	2							Z
13	2	119620-77440 (A=E03662)	FRAME ASSY, REAR	1							Z
14	2	129240-79300 (A=E03662)	COVER	1							Z
15	2	119620-77461 (A=E03662)	PULLEY, GENERATOR	1							Z
16	2	119620-77471 (A=E03662)	NUT	1							Z
17	2	129423-77710 (A=E03662)	REGULATOR ASSY	1							Z
18	2	119620-79260 (A=E03662)	HOLDER ASSY	1							Z
19	2	119620-79270 (A=E03662)	HOLDER ASSY, BRUSH	1							Z
20	3	119620-77480 (A=E03662)	BRUSH ASSY, SUB	2							Z
21	3	119620-79280 (A=E03662)	SPRING	2							Z
22	2	119620-79290 (A=E03662)	SCREW	1							Z
23	2	119620-79300 (A=E03662)	SCREW	1							Z
24	2	119620-79310 (A=E03662)	BOLT	3							Z

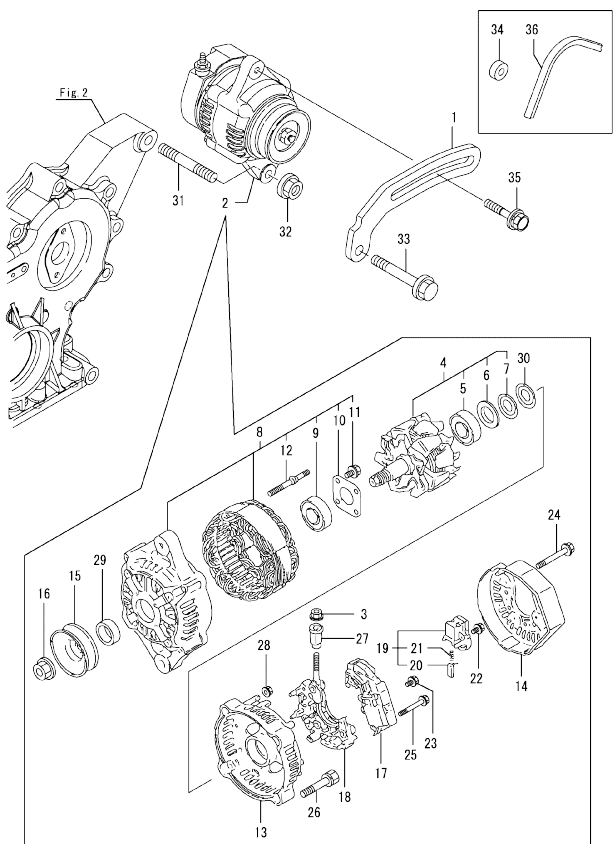
Remarks

(1) Loose parts.

N:Old  $\frac{New}{Old}$  New, Q:Old  $\frac{New}{Old}$  New, R:Old  $\frac{New}{Old}$  New, S:Old  $\frac{New}{Old}$  New, W:Add, Z:Discontinued, F:Interchangeable by set, K:Qty Change  
 ++ CONTINUE ++  
 Copyright (C) YANMAR GLOBAL CS CO., LTD. All Rights Reserved.

OCV10-M94500 ENGINE SECTION  
 Fig.16. GENERATOR

OCV10-M94500 Fig.16



(A)=4TNV88-GKM  
 (B)=  
 (C)=

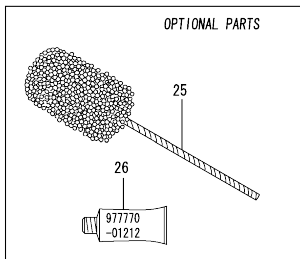
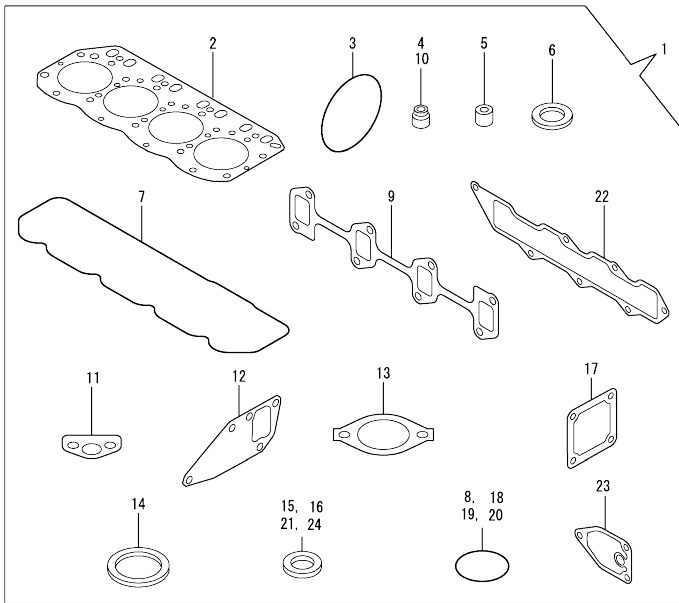
(D)=  
 (E)=  
 (F)=

No.	Lev.	Parts No.	Description	Q'ty						I	R
				(A)	(B)	(C)	(D)	(E)	(F)		
25	2	119620-79320 (A=E03662)	SCREW, W/WASHER	2							Z
26	2	119620-79330 (A=E03662)	BOLT	2							Z
27	2	119620-79340 (A=E03662)	BUSH, INSULATION	1							Z
28	2	119620-79350 (A=E03662)	NUT	2							Z
29	2	119620-77490 (A=E03662)	COLLAR	1							Z
30	2	119620-79360 (A=E03662)	WASHER, THRUST	1							Z
31	1	129795-01900	BOLT, M10X33	1							
32	1	26306-100002 (A=E03662)	NUT, M10	1							Z
33	1	26106-080452	BOLT, M8X 45 PLATED	1							
34	1	119940-77270	SPACER, GENERATOR	1							1
35	1	119802-77340 (A=E03662)	BOLT, ADJUSTER L=40	1							Z
36	1	25132-004400 (A=E03662)	V-BELT, A44	1							W 1

Remarks  
 (1) Loose parts.

N:Old  $\frac{100}{100}$  New, Q:Old  $\frac{100}{100}$  New, R:Old  $\frac{100}{100}$  New, S:Old  $\frac{100}{100}$  New, W:Add, Z:Discontinued, F:Interchangeable by set, K:Q'ty Change  
 Copyright (C) YANMAR GLOBAL CS CO., LTD. All Rights Reserved.

Fig.17. GASKET SET



Remarks  
(1) OPTIONAL PART.

(A)=4TNV88-GKM  
(B)=  
(C)=

(D)=  
(E)=  
(F)=

No.	Lev.	Parts No.	Description	Q'ty						I	R
				(A)	(B)	(C)	(D)	(E)	(F)		
1	1	729601-92730	GASKET SET	1							1
2	2	129407-01340	GASKET, HEAD	1							
3	2	121850-51960	O-RING	1							
4	2	124460-11340	SEAL, VALVE STEM	4							
5	2	119802-11870	PROTECTOR, NOZZLE	4							
6	2	119625-11880	SEAT, NOZZLE	4							
7	2	129601-11310	GASKET, BONNET	1							
8	2	119609-32040	O-RING, P16	4							
9	2	129550-13110	GASKET	1							
10	2	121400-11340	SEAL, VALVE STEM	4							
11	2	129150-35041	GASKET	1							
12	2	129486-42050	GASKET, WATER PUMP	1							
13	2	129795-49551	GASKET	1							
14	2	129470-49810	GASKET, THERMOSTAT	1							
15	2	22190-100002	WASHER, SEAL 10	2							
16	2	22190-080002	WASHER, SEAL 6	2							
17	2	129150-77511	GASKET	1							
18	2	24311-000120	O-RING, 1AP12.0	3							
19	2	24311-000320	O-RING, 1AP32.0	2							
20	2	24341-000240	O-RING, 1AS24.0	1							
21	2	23414-080000	GASKET, 8X1.0	1							
22	2	129407-12110	GASKET, MANIFOLD	1							
23	2	129150-35111	GASKET	1							
24	2	22190-220002	WASHER, SEAL 22	1							
25	1	129400-92430	HONE	1							1
26	1	977770-01212	GASKET, LIQUID	1							1

## Parts No. Index

Parts No.	Fig. No.	Ref. No.
104214-42780	9	23
104407-21600	9	26
114250-39450	8	12
114250-53080	13	5
114250-53120	13	10
114250-53130	13	11
114250-53140	13	12
114250-53210	13	13
114250-53400	13	14
119609-32040	2	17
	17	8
119620-49290	10	44
119620-77380	16	4
119620-77421	16	8
119620-77440	16	13
119620-77461	16	15
119620-77471	16	16
119620-77480	16	20
119620-77490	16	29
119620-79200	16	9
119620-79210	16	10
119620-79220	16	11
119620-79230	16	12
119620-79240	16	5
119620-79250	16	6
119620-79260	16	18
119620-79270	16	19
119620-79280	16	21
119620-79290	16	22
119620-79300	16	23
119620-79310	16	24
119620-79320	16	25
119620-79330	16	26
119620-79340	16	27
119620-79350	16	28
119620-79360	16	7
	30	
119625-11880	4	20
	17	6
119640-01640	3	9
119802-01520	2	12
119802-01560	2	13
119802-03110	4	41
119802-03120	4	42
119802-03130	4	43
119802-03140	4	44
119802-11260	4	26
119802-11270	4	27
119802-11870	4	19
	17	5

Parts No.	Fig. No.	Ref. No.
119802-21201	7	5
119802-25051	6	9
119802-25070	6	13
119802-25100	6	10
119802-25901	6	15
119802-32070	2	8
119802-32100	2	7
119802-32111	2	18
119802-32120	2	19
119802-32130	2	20
119802-35100	8	8
119802-35110	8	9
119802-39450	8	14
119802-55800	14	2
119802-59570	13	52
119802-77330	16	1 -1
119802-77340	16	35
119940-77270	16	34
119940-77330	16	1
120130-11860	4	5
120270-54410	4	23
120445-44640	11	18
121023-01550	2	28
121111-21501	7	12
121400-11340	4	16
	17	10
121520-34810	8	2
121550-23200	7	30
121575-42021	9	5
121575-42120	9	11
121575-42150	9	12
121850-21680	7	11
121850-51960	2	21
	17	3
124060-01050	1	10
124070-42400	9	15
124070-42420	9	16
124160-01751	2	14
	4	50
124160-01910	1	5
	15	
124160-11360	4	52
124160-39140	8	13
124160-49480	11	11
124223-42040	9	6
124223-42070	9	7
124223-42080	9	8
124223-42091	9	9
124223-42110	9	10
124240-01871	2	15

Parts No.	Fig. No.	Ref. No.
124450-01610	15	33
124460-11340	4	17
	17	4
124460-77680	9	32
124550-21600	7	16
124550-77030	15	34
124722-59050	10	49
	52	
127610-03270	9	25
127610-91350	10	43
128370-59102	14	5
129001-01250	1	11
129001-02930	1	25
129001-32330	2	11
129001-91841	2	22
129004-01190	1	33
129004-03010	4	39
129004-11100	4	10
129004-11650	4	31
129004-11900	4	21
129004-55610	14	1
129005-22080	7	17
129005-22500	7	19
129005-22900	7	33
129005-22950	7	35
129005-34801	8	1
129005-59830	8	15
129054-42320	10	11
129100-01580	3	1
	15	
	7	2
129100-01640	3	16
129100-11110	4	11
129100-23910	7	29
129100-35140	8	10
129150-01200	1	31
129150-02020	1	7
129150-02450	6	4
129150-02870	1	34
129150-02930	1	28
129150-02940	1	37
129150-03070	4	40
129150-11230	4	32
129150-11280	4	28
129150-11370	4	18
129150-11750	4	34
129150-11810	4	7
129150-14101	6	7
129150-14200	6	1
129150-14400	6	2

Parts No.	Fig. No.	Ref. No.
129150-23600	7	31
129150-23610	7	39
129150-25301	6	16
129150-35041	8	3
	17	11
129150-35091	8	4
129150-35111	8	21
	17	23
129150-35170	8	22
129150-42059	10	3
129150-42129	10	4
129150-42300	10	8
129150-42319	10	9
129150-59120	13	26
129150-59131	13	29
	33	
129150-77511	5	8
	17	17
129156-44760	10	18
129171-44600	11	17
129176-01601	3	2
129202-22300	7	23
129240-79300	16	14
129246-53001	13	2
129247-42000	10	1
129263-49610	10	47
129263-49620	10	50
129263-49710	10	48
129263-49720	10	51
129270-59550	13	51
129270-59580	13	53
129400-01730	3	6
129400-92430	17	25
129407-01340	1	32
	17	2
129407-12110	5	5
	17	22
129410-03990	5	2
129410-77330	16	1 -2
129418-32320	2	10
129423-77200	16	2
129423-77710	16	17
129457-49801	10	27
129470-07230	4	57
129470-44440	11	14
129470-44450	11	15
129470-49200	10	30
129470-49220	10	31
129470-49240	10	32
129470-49250	10	33

## Parts No. Index

Parts No.	Fig. No.	Ref. No.
129470-49260	10	34
129470-49540	10	25
129470-49810	10	28
	17	14
129472-18090	11	25
129473-44111	11	13
129475-49020	9	29
129475-49040	9	36
129486-01670	3	19
129486-42050	10	37
	17	12
129489-21570	7	13
129550-13110	11	1
	17	9
129550-42350	10	17
129550-59120	13	30
129579-21651	7	9
129579-42160	9	13
129579-42190	9	14
129579-42501	9	3
129579-42590	9	22
129579-49460	9	31
129601-03080	5	1
129601-11241	4	25
129601-11251	4	29
129601-11310	4	47
	17	7
129601-11350	4	38
129601-11700	4	1
129601-12100	5	3
129601-21001	7	1
129601-51250	12	4
129601-59810	13	35
129601-59820	13	39
129601-59830	13	43
129601-59840	13	47
129611-49010	9	27
129619-13560	11	3
129619-44900	11	4
129647-42150	9	2
129647-42500	9	1
129649-12210	5	11
129649-59010	14	4
129670-49290	9	37
	10	40
129795-01780	3	18
129795-01800	2	6
129795-01900	16	31
129795-01950	2	16
129795-02411	1	14

Parts No.	Fig. No.	Ref. No.
129795-11120	4	12
129795-11180	4	13
129795-21661	7	10
129795-49551	10	26
	17	13
129900-07900	4	54
129900-32130	2	9
129916-49740	10	16
158552-51151	6	18
171008-77010	15	1
171008-77400	15	2
171008-77440	15	6
171008-77450	15	7
171008-77460	15	8
171008-77470	15	9
171008-77480	15	10
171008-77490	15	11
171008-77500	15	12
171008-77510	15	13
171008-77520	15	14
171008-77531	15	15
171008-77540	15	16
171008-77571	15	19
171008-77640	15	20
171008-77650	15	21
171008-77660	15	22
171008-77670	15	23
171008-77750	15	30
171051-01921	1	6
171487-44000	11	5
171487-49010	9	28
22190-080002	8	17
		18
	17	16
22190-100002	8	19
	17	15
22190-220002	3	11
	17	24
22217-080000	10	19
22217-140000	6	19
22242-000150	9	17
22252-000260	7	24
22252-000350	9	18
22351-030010	7	8
22351-060012	4	22
22512-070140	6	8
	7	6
22857-500100	4	48
		49
23000-013000	13	54

Parts No.	Fig. No.	Ref. No.
23000-016000	14	6
23000-035000	9	30
		33
23000-041000	10	35
23061-070300	9	34
23061-120300	11	22
23080-013000	11	24
23414-080000	10	38
	17	21
23857-030000	8	16
23876-010000	5	13
23876-030000	2	4
	11	16
23876-040000	2	5
24107-062024	9	19
24311-000120	4	53
	17	18
24311-000320	2	23
	4	51
	17	19
24321-000750	11	19
24341-000240	2	29
	17	20
25132-004400	10	20
	16	36
26014-080162	9	20
26106-060082	9	24
26106-060102	10	21
26106-060162	2	30
26106-060202	10	13
26106-060322	15	31
26106-060402	15	32
26106-080122	10	39
26106-080142	6	17
26106-080162	2	24
	25	
	3	12
	4	55
	9	35
	11	20
	12	2
26106-080202	5	6
	9	
	8	11
	12	3
26106-080252	3	13
	4	36
	10	29
	11	21
26106-080302	14	3

Parts No.	Fig. No.	Ref. No.
26106-080352	3	20
	4	24
	8	23
	10	36
26106-080402	6	14
26106-080452	3	14
		14 -1
	16	33
26106-080502	3	21
	4	37
26106-080552	2	26
	10	22
		23
26106-080652	5	10
	10	24
26106-080802	5	7
26106-081002	11	23
26113-040088	9	21
26115-080202	11	26
26116-060162	10	14
26206-100202	3	4
26206-100252	3	5
26226-080182	4	35
26306-080002	2	27
	11	2
26306-100002	16	32
26366-060002	8	20
26577-060152	10	12
26716-120002	15	35
26776-140002	6	20
27241-120000	1	12
27241-280000	11	12
27241-300000	1	13
27241-400000	4	9
27310-080001	4	14
43600-500310	11	7
719802-01500	2	1
729246-53101	13	1
729402-23100	7	25
729577-01720	3	8
729601-14580	6	3
729601-92730	17	1
729602-01560	1	1
729647-51390	12	1
977770-01212	2	31
	3	3
	4	56
	17	26
X2114255110	15	4
X2114555500	15	27



Parts No. Index

Parts No.	Fig. No.	Ref. No.
X2114955020	15	28
X2130350900	15	3
X2240410100	15	29
X9490561001	16	3

Parts No.	Fig. No.	Ref. No.
-----------	----------	----------

Parts No.	Fig. No.	Ref. No.
-----------	----------	----------

Parts No.	Fig. No.	Ref. No.
-----------	----------	----------