

0CW10-M56700EN

# P R E F A C E

1. This parts catalog is the 1st edition of 4TNV88-GGB1BT for TOYO DENKI.

Pub.No. : 0CW10-G56700

Published : October, 2009

2. Model name

Engine model	Vehicle	Vehicle made by
4TNV88-GGB1BT	GENERATOR	TOYO DENKI

## Directions for the Parts Catalog.

- The parts stipulated in this Parts Catalog are not necessarily standard equipped parts.
- Parts may change without prior notice.
- The following is an example of the Parts Catalog format.

REF.	LEV.	PARTS NO.	DESCRIPTION	Q'TY						I	R
				(A)	(B)	(C)	(D)	(E)	(F)		
1	1	729595-51390	FUEL INJECTION PUMP	1	1	1	1	1			1
1-1	1	729595-51391	FUEL INJECTION PUMP	1	1	1	1	1		N	1
		(A=E00185) (B=E00200)									
3	2	26022-060162	SCREW M 6X 16	9	9	9	9	9			
3-1	2	26022-060162	SCREW M 6X 16	4	4	4	4	4		K	
		(A=E00156) (B=E00156) (C=E00156) (D=E00156) (E=E00156)									
4	2	129470-51040	CAMSHAFT	1	1	1	1	1			
5	2	122710-51050	BEARING, ROLLER	2	2	2	2	2			
6	2	129470-51060	RETAINER	1	1	1	1	1			

Remarks
(1) BOOST COMPEMSATOR TYPE. OPTIONAL PART, TO E00155,(4JH-DT, 4JH-DTZ

### ① Ref. No.

The Ref. No. listed may not be in accordance with the illustration Ref. No.

(Ex.) Illustration No.

List Ref No.

1 1 (Before change) → 1-1 (After change)

For interchangeable symbols N, R and K, illustrations for new parts may be abbreviated.

### ② Lev. (Level)

Level indication

The numbers below indicate the level of relativity towards the main part.

1 ---- Main parts (Assembly parts)

2 ---- Sub component included in " 1 ".

3 ---- Sub component included in " 2 ".

Note) Parts that are not for sale are partially illustrated but not listed.

### ③ Interchangeability Mark

When a part change takes place, one of the following interchangeability symbols is indicated beside the part.

Symbol	Interchangeability	Contents note
N	Old $\begin{matrix} \leftarrow \text{Yes} \\ \text{No} \rightarrow \end{matrix}$ New	New Part is interchangeable for Old Part but Old Part is not interchangeable for New Part.
Q	Old $\begin{matrix} \leftarrow \text{No} \\ \text{Yes} \rightarrow \end{matrix}$ New	New Part is not interchangeable for Old Part but Old Part is interchangeable for New Part.
R	Old $\begin{matrix} \leftarrow \text{Yes} \\ \text{Yes} \rightarrow \end{matrix}$ New	New/ Old Parts are both interchangeable.
S	Old $\begin{matrix} \leftarrow \text{No} \\ \text{No} \rightarrow \end{matrix}$ New	New/ Old Parts are both not interchangeable.
W		Part newly added.
Z		Part discontinued.
F		Not interchangeable by a single part but interchangeable together with related parts.
K		Changes only for used parts quantities.

### ④ Effective Machine No.

When a part changes, the effective Machine No. will be indicated in the (A)-(F) column.

Product Symbol	Product No.	Product Symbol	Product No.
C	Clutch No. Compressor No.	F	Machine No. (Agricultural Equip.)
D	Drive No.	M	Machine No.
E	Engine No.		

Note 1) A date may follow the symbol. (Ex.) 1996.01

Note 2) "XXXXX" and "ZZZZZ" are for parts that could not be predicted or for engine models that could not be identified.

Note 3) (A=E00185) is the E (Engine Serial Number) for the column (A) model (in this case 4JH-DT) after the parts design change.

### ⑤ Remarks Mark

Figures or alphabets (symbols) are entered in the remarks column.

The comments (remarks) on parts that are indicated at the bottom of the illustration are the same symbols as those stated above.

## Contents

0CW10-M56700

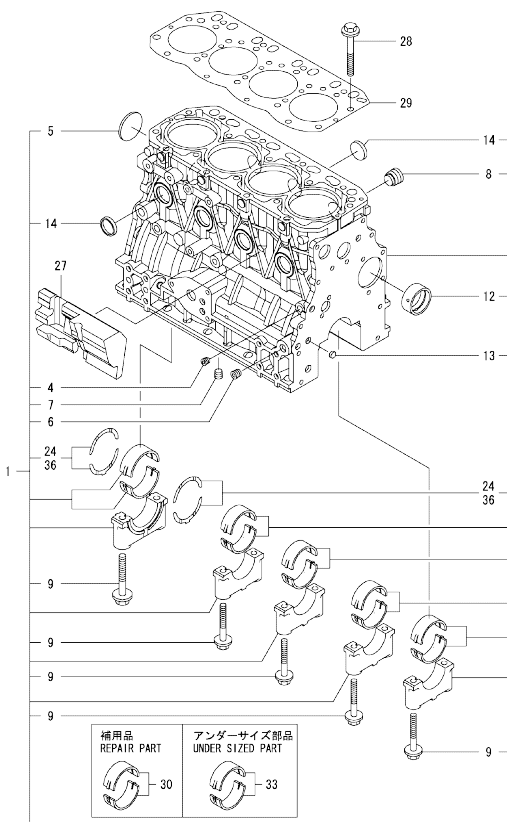
Fig. No.	Fig. Name	Fig. No.	Fig. Name
4TNV88-GGB1BT			
1.	CYLINDER BLOCK		
2.	GEAR HOUSING		
3.	FLYWHEEL HOUSING & OIL SUMP		
4.	CYLINDER HEAD & BONNET		
5.	SUCTION MANIFOLD & AIR CLEANER		
6.	EXHAUST MANIFOLD & SILENCER		
7.	CAMSHAFT & DRIVING GEAR		
8.	CRANKSHAFT & PISTON		
9.	LUB.OIL SYSTEM		
10.	COOLING WATER SYSTEM		
11.	FUEL INJECTION PUMP		
12.	GOVERNOR		
13.	FUEL INJECTION VALVE		
14.	FUEL LINE		
15.	STARTING MOTOR		
16.	GENERATOR		
17.	GASKET SET & TOOLS		

0CW10-M56700 4TNV88-GGB1BT  
 Fig.1. CYLINDER BLOCK

0CW10-M56700 Fig.1

(A)=4TNV88-GGB1BT  
 (B)=  
 (C)=

(D)=  
 (E)=  
 (F)=



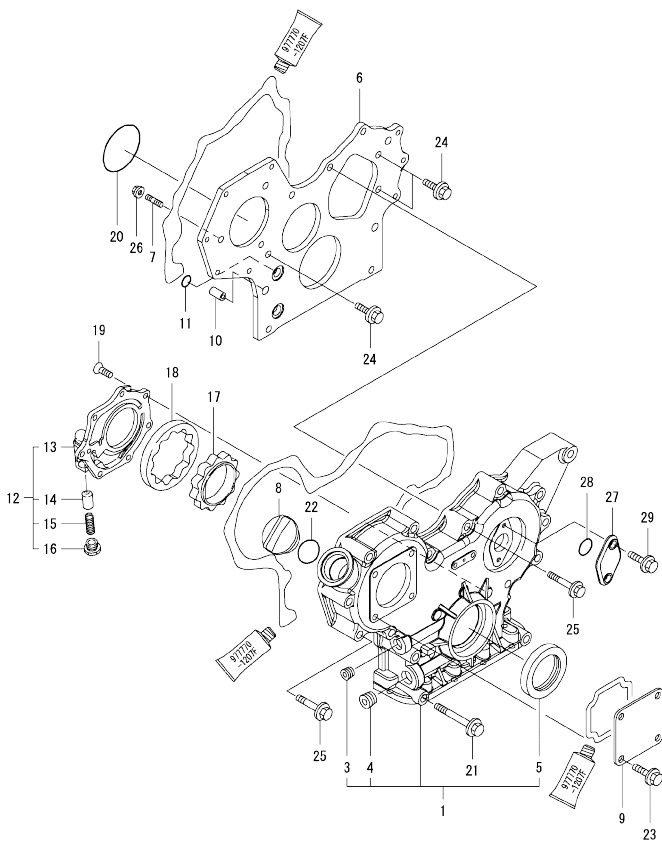
No.	Lev.	Parts No.	Description	Q'ty						I	R
				(A)	(B)	(C)	(D)	(E)	(F)		
1	1	729602-01560	BLOCK ASSY, CYLINDER	1							
4	2	124060-01050	PLUG, PT1/8	1							
5	2	129001-01250	PLUG, 50	1							
6	2	124160-01910	PLUG, PT1/4	2							
7	2	124160-01910	PLUG, PT1/4	1							
8	2	171051-01921	PLUG, NPTF1	1							
9	2	129150-02020	BOLT, METAL CAP	10							
12	2	129795-02412	BUSH, CAMSHAFT	1							
13	2	27241-120000	PLUG, 12	2							
14	2	27241-300000	PLUG 30	8							
24	2	129150-02931	BEARING, THRUST	2							
27	1	129004-01190	SPACER	1							
28	1	129150-01200	BOLT, HEAD	18							
29	1	129407-01340	GASKET, HEAD	1							
30	1	129001-02931	BEARING, MAIN	5							1
33	1	129150-02871	BEARING, 0.25 US	5							2
36	1	129150-02941	BEARING, THRUST 0.25	1							3

Remarks  
 (1)REPAIR PART.  
 (2)UNDER SIZED(U.S.=0.25)PART.  
 (3)OVER SIZED(O.S.=0.25)PART.

N:Old  $\frac{100}{100}$  New, Q:Old  $\frac{100}{100}$  New, R:Old  $\frac{100}{100}$  New, S:Old  $\frac{100}{100}$  New, W:Add, Z:Discontinued, F:Interchangeable by set, K:Q'ty Change  
 Copyright (C) YANMAR CO., LTD. All Rights Reserved.

0CW10-M56700 4TNV88-GGB1BT  
 Fig.2. GEAR HOUSING

0CW10-M56700 Fig.2



(A)=4TNV88-GGB1BT  
 (B)=  
 (C)=

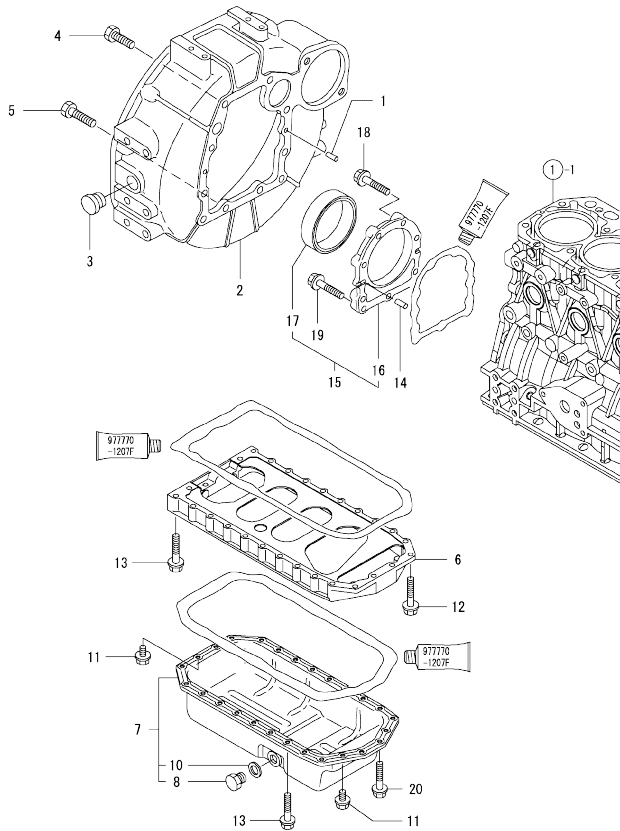
(D)=  
 (E)=  
 (F)=

No.	Lev.	Parts No.	Description	Q'ty						I	R
				(A)	(B)	(C)	(D)	(E)	(F)		
1	1	729233-01500	CASE ASSY, GEAR	1							
3	2	23876-030000	PLUG, R03	1							
4	2	23876-040000	PLUG, R04	1							
5	2	119934-01800	SEAL, OIL	1							
6	1	119802-01520	FLANGE, GEAR CASE	1							
7	1	119802-01561	STUD, M8X25	3							
8	1	124160-01751	COVER, FILLER	1							
9	1	124240-01871	COVER	1							
10	1	129795-01950	PIPE, KNOCK L=18	2							
11	1	119609-32040	O-RING, P16	4							
12	1	119802-32100	COVER ASSY	1							
13	2	119802-32070	COVER	1							
14	2	129900-32130	VALVE, RELIEF	1							
15	2	129418-32320	SPRING	1							
16	2	129001-32330	PLUG	1							
17	1	119802-32111	ROTOR, INNER	1							
18	1	119802-32120	ROTOR, OUTER	1							
19	1	119802-32130	SCREW, M6X16	7							
20	1	121850-51960	O-RING	1							
21	1	26106-080852	BOLT, M8X 85 PLATED	3							
22	1	24311-000320	O-RING, 1AP32.0	1							
23	1	26106-080162	BOLT, M8X 16 PLATED	4							
24	1	26106-080162	BOLT, M8X 16 PLATED	3							
25	1	26106-080552	BOLT, M8X 55 PLATED	12							
26	1	26306-080002	NUT, M8	3							
27	1	121023-01551	COVER	1							
28	1	24341-000240	O-RING, 1AS24.0	1							
29	1	26106-060162	BOLT, M6X 16 PLATED	2							

Fig.3. FLYWHEEL HOUSING & OIL SUMP

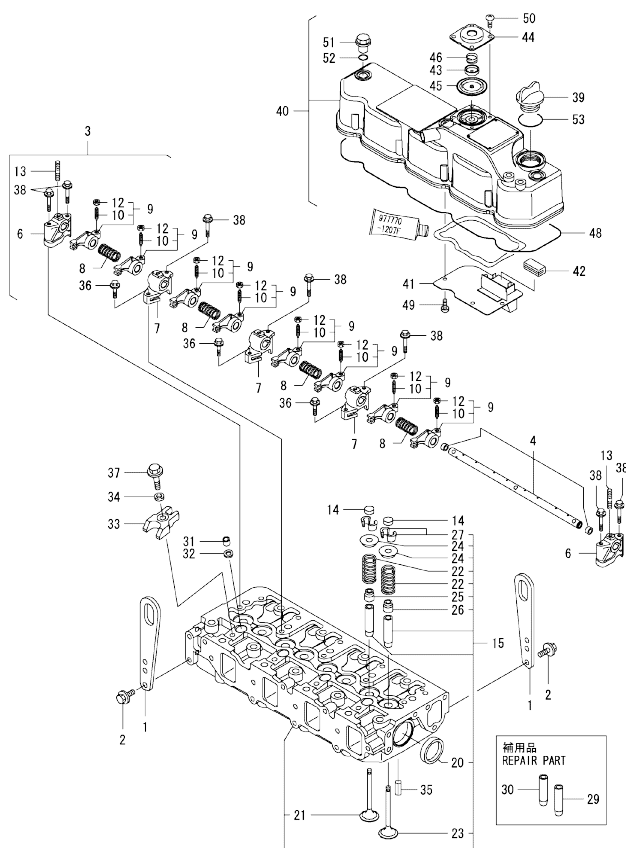
(A)=4TNV88-GGB1BT  
(B)=  
(C)=

(D)=  
(E)=  
(F)=



No.	Lev.	Parts No.	Description	Q'ty						I	R
				(A)	(B)	(C)	(D)	(E)	(F)		
1	1	129100-01580	PIN, M8X16		2						
2	1	171420-01600	HOUSING, FLYWHEEL	1							
3	1	119620-01750	CAP	1							
4	1	26206-100252	BOLT, M10X 25 PLATED	6							
5	1	26206-100302	BOLT, M10X 30 PLATED	4							
6	1	129400-01730	SPACER, OIL SUMP	1							
7	1	129400-01770	SUMP ASSY, OIL	1							
7-1	1	129688-01780	OIL PAN ASSY, DEEP (A=EC7389)	1							N
8	2	119640-01640	PLUG, DRAIN M22	1							
10	2	22190-220002	WASHER, SEAL 22	1							
11	1	26106-080162	BOLT, M8X 16 PLATED	4							
12	1	26106-080252	BOLT, M8X 25 PLATED	2							
13	1	26106-080452	BOLT, M8X 45 PLATED	20							
14	1	129100-01580	PIN, M8X16	2							
15	1	129648-01600	CASE ASSY, OIL SEAL	1							
16	2	129150-01650	CASE, OIL SEAL	1							
17	2	129648-01780	SEAL, OIL	1							
18	1	129486-01670	BOLT, M8X30	6							
19	1	26106-080352	BOLT, M8X 35 PLATED	3							
20	1	26106-080502	BOLT, M8X 50 PLATED	4							

Fig.4. CYLINDER HEAD & BONNET



(A)=4TNV88-GGB1BT  
(B)=  
(C)=

(D)=  
(E)=  
(F)=

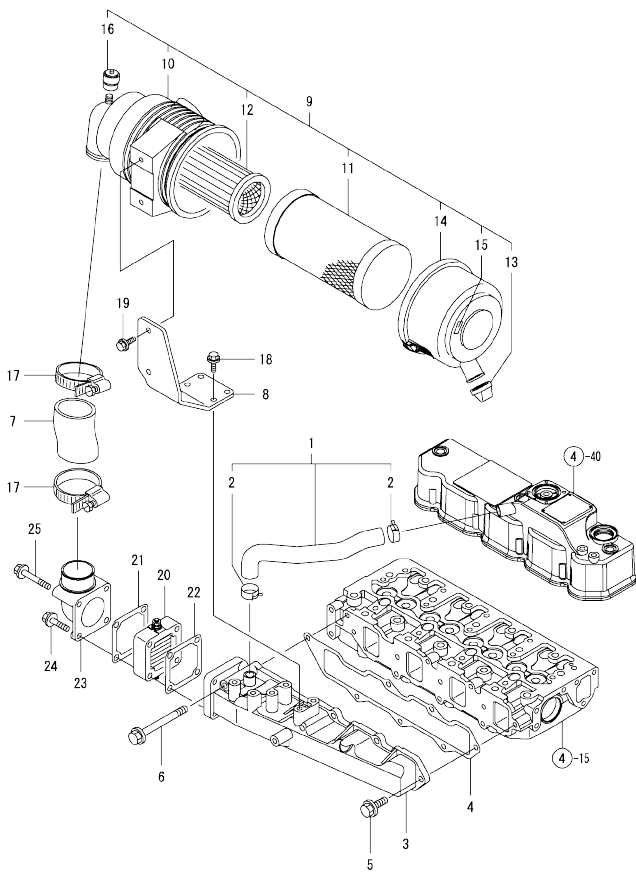
No.	Lev.	Parts No.	Description	Q'ty						I	R
				(A)	(B)	(C)	(D)	(E)	(F)		
1	1	129900-07900	LIFTER	2							
2	1	26106-080162	BOLT, M8X 16 PLATED	4							
3	1	129601-11241	SHAFT ASSY, ROCKER	1							
4	2	129601-11251	SHAFT, ROCKER ARM	1							
6	2	119802-11260	SUPPORT, ROCKER ARM	2							
7	2	119802-11270	SUPPORT, ROCKER ARM	3							
8	2	129150-11280	SPRING	4							
9	2	129004-11650	ARM, ROCKER	8							
10	3	129150-11230	SCREW, VALVE ADJUST	8							
12	3	129150-11750	NUT, M8	8							
13	2	26226-080182	STUD, M8X 18	3							
14	1	129150-11370	CAP, VALVE	8							
15	1	129601-11700	HEAD ASSY, CYLINDER	1							
20	2	27241-400000	PLUG, 40	2							
21	2	129100-11112	VALVE, EXHAUST	4							
22	2	129795-11120	SPRING, VALVE	8							
23	2	129004-11130	VALVE, INTAKE	4							
24	2	129795-11180	RETAINER, SPRING	8							
25	2	121400-11340	SEAL, VALVE STEM	4							
26	2	124460-11340	SEAL, VALVE STEM	4							
27	2	27310-080001	COTTER, 8	8							
29	1	120130-11860	GUIDE, VALVE	4							1
30	1	129150-11810	GUIDE, VALVE	4							1
31	1	119802-11870	PROTECTOR, NOZZLE	4							
32	1	119625-11880	SEAT, NOZZLE	4							
33	1	129004-11900	RETAINER, NOZZLE	4							
34	1	120270-54410	WASHER, INJECTOR	4							
35	1	22351-060012	PIN, SPRING 6.0X12	2							
36	1	26106-080252	BOLT, M8X 25 PLATED	3							
37	1	26106-080352	BOLT, M8X 35 PLATED	4							
38	1	26106-080502	BOLT, M8X 50 PLATED	7							
39	1	124160-01751	COVER, FILLER	1							
40	1	129601-11350	BONNET ASSY, HEAD	1							
41	2	129004-03010	PLATE	1							
42	2	129150-03070	BAFFLE, BREATHER	1							
43	2	119802-03110	PLATE	1							
44	2	119802-03121	COVER, DIAPHRAGM	1							
45	2	119802-03130	DIAPHRAGM	1							
46	2	119802-03141	SPRING, DIAPHRAGM	1							
48	2	129601-11310	GASKET, BONNET	1							
49	2	22857-500100	SCREW, 5X10	4							
50	2	22857-500100	SCREW, 5X10	4							
51	1	124160-11360	KNOB	3							
52	1	24311-000120	O-RING, 1AP12.0	3							
53	1	24311-000320	O-RING, 1AP32.0	1							

Remarks  
(1)REPAIR PART.

N:Old  $\frac{100}{100}$  New, Q:Old  $\frac{100}{100}$  New, R:Old  $\frac{100}{100}$  New, S:Old  $\frac{100}{100}$  New, W:Add, Z:Discontinued, F:Interchangeable by set, K:Q'ty Change  
Copyright (C) YANMAR CO., LTD. All Rights Reserved.



Fig.5. SUCTION MANIFOLD & AIR CLEANER

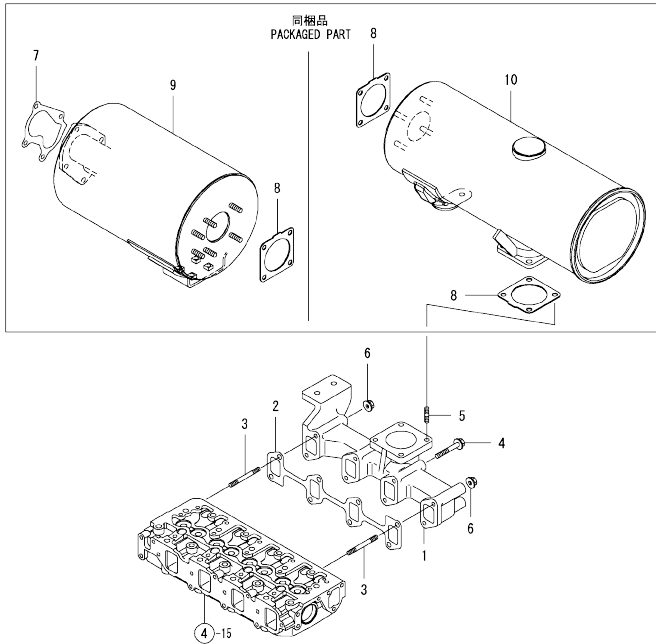


(A)=4TNV88-GGB1BT  
(B)=  
(C)=

(D)=  
(E)=  
(F)=

No.	Lev.	Parts No.	Description	Q'ty						I	R
				(A)	(B)	(C)	(D)	(E)	(F)		
1	1	129601-03080	PIPE , BREATHER	1							
2	2	129410-03990	CLAMP 22	2							
3	1	129601-12100	MANIFOLD, AIR INTAKE	1							
4	1	129407-12110	GASKET, MANIFOLD	1							
5	1	26106-080202	BOLT, M8X 20 PLATED	6							
6	1	26106-080802	BOLT, M8X 80 PLATED	1							
7	1	119910-12210	PIPE, AIR INTAKE	1							
8	1	119802-12560	BRACKET, AIR CLEANER	1							
9	1	119910-12601	CLEANER ASSY, AIR	1							
10	2	119910-12510	BODY, AIR CLEANER	1							
11	2	119808-12520	ELEMENT	1							
12	2	129051-12530	ELEMENT	1							
13	2	119808-12540	VALVE, UNLOADER	1							
14	2	119866-12541	COVER ASSY	1							
15	2	129612-12650	MARKING,(W)	1							
16	2	126650-12680	INDICATOR	1							
17	1	23000-060000	CLAMP, 60	2							
18	1	26013-080222	BOLT, M8X 22	4							
19	1	26013-080222	BOLT, M8X 22	2							
20	1	129100-77501	HEATER	1							
21	1	129100-77510	GASKET, AIR HEATER	1							
22	1	129150-77511	GASKET	1							
23	1	171340-77520	BEND	1							
24	1	26106-080402	BOLT, M8X 40 PLATED	2							
25	1	26106-080802	BOLT, M8X 80 PLATED	2							

Fig.6. EXHAUST MANIFOLD & SILENCER

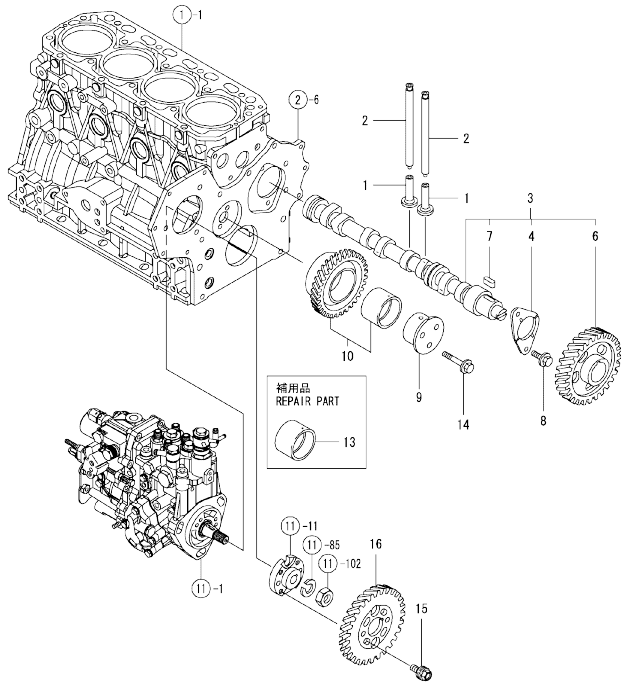


(A)=4TNV88-GGB1BT  
(B)=  
(C)=

(D)=  
(E)=  
(F)=

No.	Lev.	Parts No.	Description	Q'ty					
				(A)	(B)	(C)	(D)	(E)	(F)
1	1	129601-13109	MANIFOLD, EXHAUST	1					
2	1	129550-13110	GASKET	1					
3	1	123900-13610	STUD, M8X80	2					
4	1	123900-13630	BOLT, M8X80	6					
5	1	119131-18320	STUD, M8X22	4					
6	1	26306-080002	NUT, M8	2					
7	1	123901-18080	GASKET	1					
8	1	129930-13201	GASKET, SILENCER	6					
9	1	129908-13510	SILENCER	1					
10	1	129601-13550	SILENCER	1					

Fig.7. CAMSHAFT & DRIVING GEAR



(A)=4TNV88-GGB1BT  
(B)=  
(C)=

(D)=  
(E)=  
(F)=

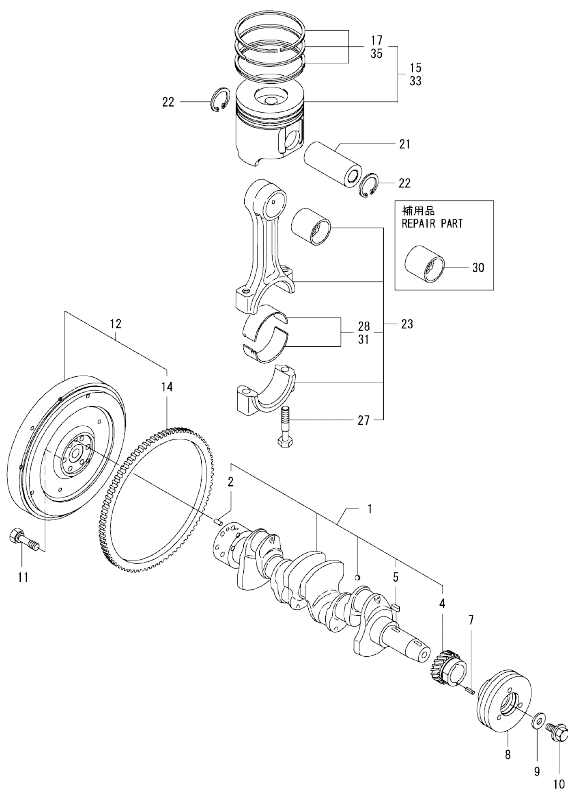
No.	Lev.	Parts No.	Description	Q'ty						I	R
				(A)	(B)	(C)	(D)	(E)	(F)		
1	1	129150-14200	TAPPET	8							
2	1	129150-14400	ROD, PUSH L=178	8							
3	1	729601-14580	CAMSHAFT ASSY	1							
4	2	129150-02450	BEARING, THRUST	1							
6	2	129150-14101	GEAR, CAMSHAFT	1							
7	2	22512-070140	KEY, 7X 14	1							
8	1	26106-080142	BOLT, M8X 14 PLATED	2							
9	1	119802-25051	SHAFT, IDLE	1							
10	1	119802-25101	GEAR ASSY, IDLE	1							
13	1	119802-25071	BUSH, IDLE GEAR	1							1
14	1	26106-080402	BOLT, M8X 40 PLATED	3							
15	1	129150-25301	BOLT	4							
16	1	119802-25901	GEAR, PUMP	1							

Remarks  
(1)REPAIR PART.

Fig.8. CRANKSHAFT & PISTON

(A)=4TNV88-GGB1BT  
(B)=  
(C)=

(D)=  
(E)=  
(F)=



No.	Lev.	Parts No.	Description	Q'ty						I	R
				(A)	(B)	(C)	(D)	(E)	(F)		
1	1	129601-21002	CRANKSHAFT ASSY	1							
2	2	129100-01580	PIN, M8X16	1							
4	2	119802-21202	GEAR, CRANKSHAFT	1							
5	2	22512-070140	KEY, 7X 14	1							
7	1	22351-030010	PIN, SPRING 3.0X10	1							
8	1	119802-21660	V-PULLEY, 120	1							
9	1	129795-21661	WASHER	1							
10	1	121850-21680	BOLT	1							
11	1	121111-21501	BOLT, FLYWHEEL	6							
12	1	171420-21590	FLYWHEEL ASSY	1							
14	2	124550-21600	GEAR, RING	1							
15	1	129005-22080	PISTON ASSY	4							
17	2	129005-22500	RING SET, PISTON	4							
21	1	129202-22300	PIN, PISTON D26 L70	4							
22	1	22252-000260	RING, 26	8							
23	1	729402-23100	ROD ASSY, CONNECTING	4							
27	2	121550-23200	BOLT, CONNECTING ROD	8							
28	2	129150-23601	BEARING, CRANK PIN	4							
30	1	129100-23910	BEARING, PISTON PIN	4							1
31	1	129150-23611	BEARING, 0.25 US	4							2
33	1	129005-22900	PISTON ASSY, 0.25 OS	4							3
35	2	129005-22950	RING SET, 0.25 OS	4							3

Remarks  
(1)REPAIR PART.  
(2)UNDER SIZED(U.S.=0.25)PART.  
(3)OVER SIZED(O.S.=0.25)PART.

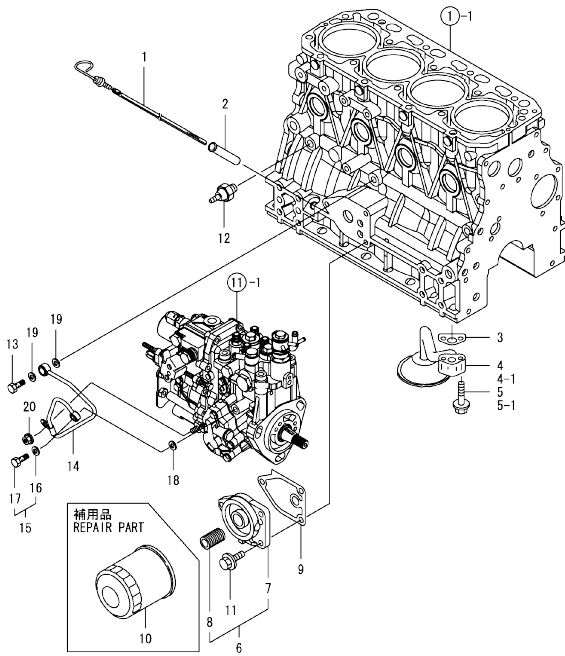
0CW10-M56700 4TNV88-GGB1BT  
 Fig.9. LUB.OIL SYSTEM

0CW10-M56700 Fig.9

(A)=4TNV88-GGB1BT  
 (B)=  
 (C)=

(D)=  
 (E)=  
 (F)=

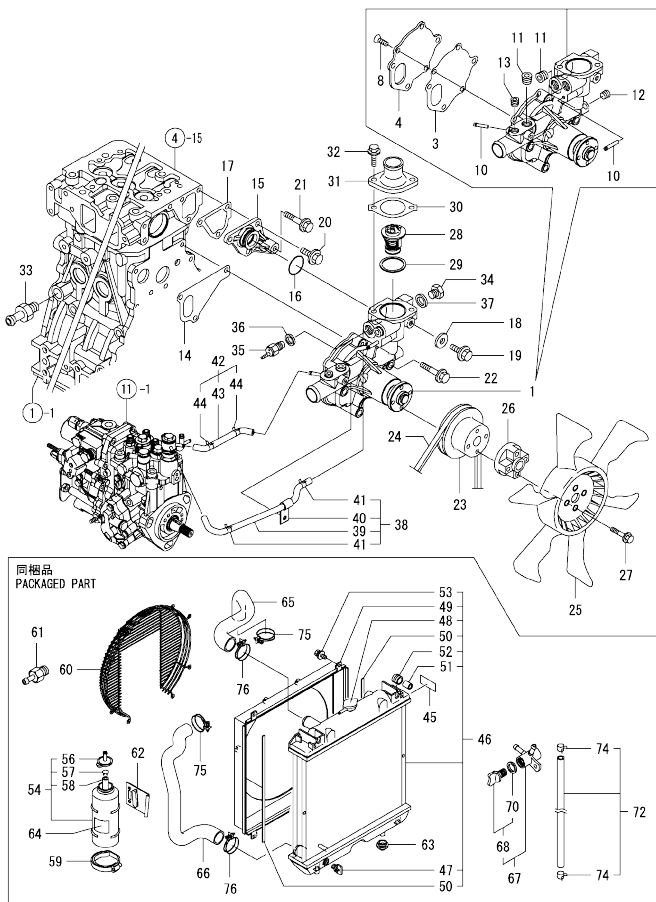
No.	Lev.	Parts No.	Description	Q'ty						I	R
				(A)	(B)	(C)	(D)	(E)	(F)		
1	1	129004-34802	DIPSTICK, OIL	1							
2	1	121520-34810	GUIDE, DIPSTICK	1							
3	1	129150-35042	GASKET	1							
4	1	129436-35091	PIPE ASSY, OIL INLET	1							
4-1	1	129436-35070	PIPE ASSY, LUB. OIL	1							S
(A=EZZZZZ)											
5	1	26106-080352	BOLT, M8X 35 PLATED	2							
5-1	1	26106-080552	BOLT, M8X 55 PLATED	2							S
(A=EZZZZZ)											
6	1	119802-35100	BRACKET ASSY, FILTER	1							
7	2	119802-35110	BRACKET, FILTER	1							
8	2	129100-35140	STUD	1							
9	1	129150-35111	GASKET	1							
10	1	119005-35151	FILTER, D80X100L	1							1
11	1	26106-080202	BOLT, M8X 20 PLATED	3							
12	1	114250-39450	SWITCH, 0.5KG	1							
13	1	124160-39140	BOLT, PIPE JOINT M10	1							
14	1	119802-39450	PIPE ASSY, OIL	1							
15	1	129005-59830	BOLT ASSY, JOINT M8	1							
16	2	22190-080002	WASHER, SEAL 6	1							
17	2	23857-030000	BOLT, JOINT 3	1							
18	1	22190-080002	WASHER, SEAL 6	1							
19	1	22190-100002	WASHER, SEAL 10	2							
20	1	26366-060002	NUT, M6	1							



Remarks  
 (1)REPAIR PART.

N:Old  $\frac{100}{100}$  New, Q:Old  $\frac{100}{100}$  New, R:Old  $\frac{100}{100}$  New, S:Old  $\frac{100}{100}$  New, W:Add, Z:Discontinued, F:Interchangeable by set, K:Q'ty Change  
 Copyright (C) YANMAR CO., LTD. All Rights Reserved.

Fig.10. COOLING WATER SYSTEM



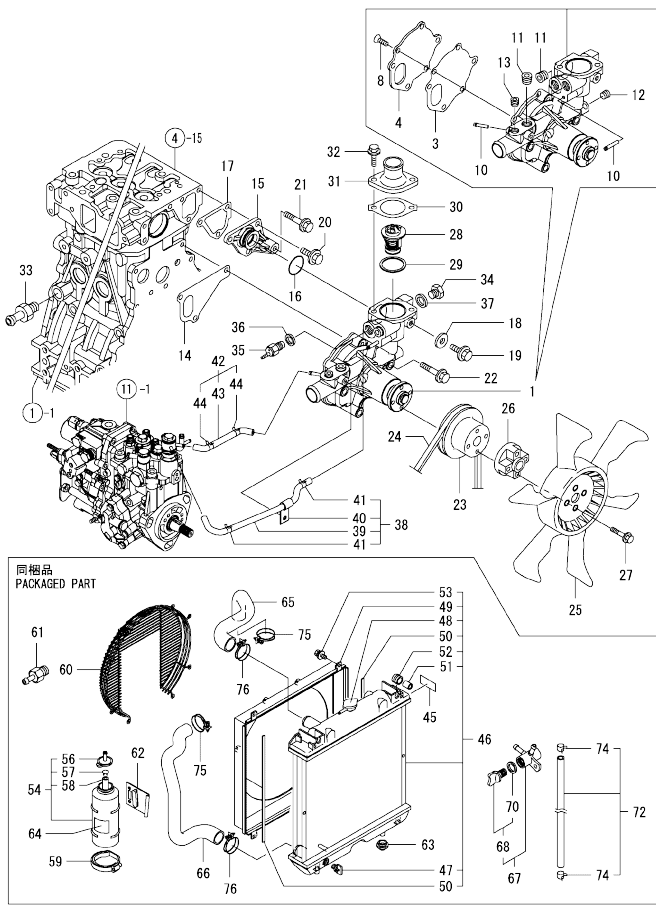
(A)=4TNV88-GGB1BT  
(B)=  
(C)=

(D)=  
(E)=  
(F)=

No.	Lev.	Parts No.	Description	Q'ty						I	R
				(A)	(B)	(C)	(D)	(E)	(F)		
1	1	129004-42001	PUMP ASSY, WATER	1							
3	2	129100-42051	GASKET, WATER PUMP	1							
4	2	129100-42121	PLATE	1							
8	2	121850-42410	SCREW	3							
10	2	119802-49113	JOINT, PIPE	2							
11	2	129916-49740	PLUG, R03	2							
12	2	23876-010000	PLUG, R01	1							
13	2	23876-020000	PLUG, R02	1							
14	1	129486-42021	GASKET, WATER PUMP	1							
15	1	129004-42040	JOINT	1							
16	1	129486-42140	O-RING, G30	1							
17	1	124395-49840	GASKET	1							
18	1	23414-080000	GASKET, 8X1.0	1							
19	1	26106-080122	BOLT, M8X 12 PLATED	1							
20	1	26106-080162	BOLT, M8X 16 PLATED	3							
21	1	26106-080452	BOLT, M8X 45 PLATED	1							
22	1	26106-080602	BOLT, M8X 60 PLATED	3							
23	1	129403-42380	V-PULLEY, D=110	1							
24	1	129612-42350	V-BELT, A38	1							
25	1	129612-44700	FAN, COOLING	1							
26	1	121267-44760	SPACER	1							
27	1	26106-060302	BOLT, M6X 30 PLATED	4							
28	1	129155-49801	THERMOSTAT, 71	1							
29	1	129150-49811	GASKET, THERMOSTAT	1							
30	1	129795-49551	GASKET	1							
31	1	129350-49560	COVER, THERMOSTAT	1							
32	1	26106-080222	BOLT, M8X 22 PLATED	2							
33	1	121550-49111	JOINT, PT1/4	1							
34	1	121450-42450	PLUG, M16	1							
35	1	121250-44901	SWITCH, 110	1							
36	1	124465-44950	GASKET, 16	1							
37	1	124465-44950	GASKET, 16	1							
38	1	129004-49610	PIPE ASSY, WATER	1							
39	2	129004-49711	PIPE ASSY, WATER	1							
40	2	119802-49730	RETAINER, PIPE	1							
41	2	124722-59050	CLIP, HOSE 9	2							
42	1	129004-49620	PIPE ASSY, WATER	1							
43	2	129004-49721	PIPE ASSY, WATER	1							
44	2	124722-59050	CLIP, HOSE 9	2							
45	1	172437-03391	LABEL, RADIATOR US	1							
46	1	129601-44500	RADIATOR ASSY	1							
47	2	129508-44550	COCK ASSY	1							
48	2	129107-44590	CAP, RADIATOR	1							
49	2	129601-44600	SHROUD	1							
50	2	129601-44610	GASKET	2							
51	2	118400-44670	COLLAR	2							
52	2	118400-44720	MOUNT, RUBBER	2							
53	2	26014-060122	BOLT, M6X 12	4							
54	1	124450-44510	TANK ASSY, SUB	1							
56	2	124450-44530	CAP	1							
57	2	124450-44560	RETAINER	1							

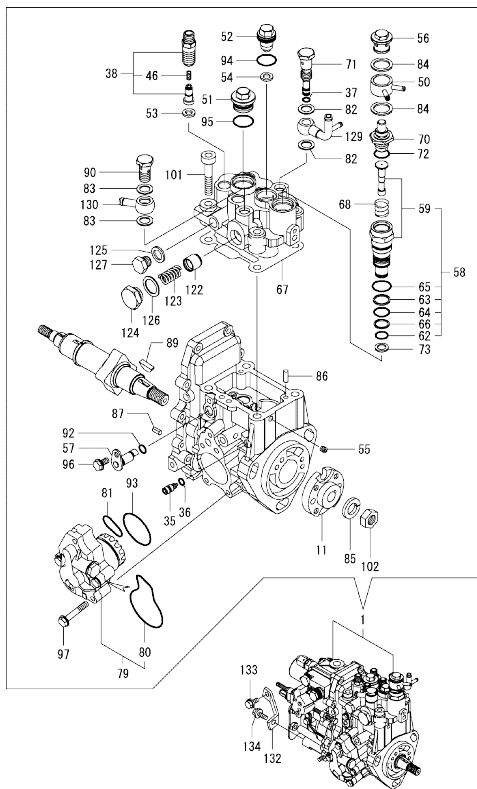
N:Old  $\frac{100}{100}$  New, Q:Old  $\frac{100}{100}$  New, R:Old  $\frac{100}{100}$  New, S:Old  $\frac{100}{100}$  New, W:Add, Z:Discontinued, F:Interchangeable by set, K:Q'ty Change  
 ++ CONTINUE ++  
 Copyright (C) YANMAR CO., LTD. All Rights Reserved.

Fig.10. COOLING WATER SYSTEM



No.	Lev.	Parts No.	Description	Q'ty						I	R
				(A)	(B)	(C)	(D)	(E)	(F)		
58	2	23061-070230	PIPE, 7X 230	1							
59	1	124450-44550	BAND	1							
60	1	129601-44560	GUARD	1							
61	1	119156-44600	COCK ASSY	1							
62	1	121256-44600	BRACKET, SUB TANK	1							
63	1	119255-44660	ABSORBER	2							
64	1	124764-44810	LABEL, SUB-TANK	1							
65	1	129612-49030	PIPE, WATER	1							
66	1	129612-49040	PIPE, WATER	1							
67	1	129150-49100	COCK ASSY, 3-WAY	1							
68	2	129150-49080	COCK, DRAIN	1							
70	3	119629-49080	GASKET	1							
72	1	129210-49280	PIPE ASSY, DRAIN	1							
74	2	124766-59050	CLIP, HOSE 12	2							
75	1	23010-038000	CLAMP, 38	2							
76	1	23010-044000	CLAMP, 44	2							

Fig.11. FUEL INJECTION PUMP



(A)=4TNV88-GGB1BT  
(B)=  
(C)=

(D)=  
(E)=  
(F)=

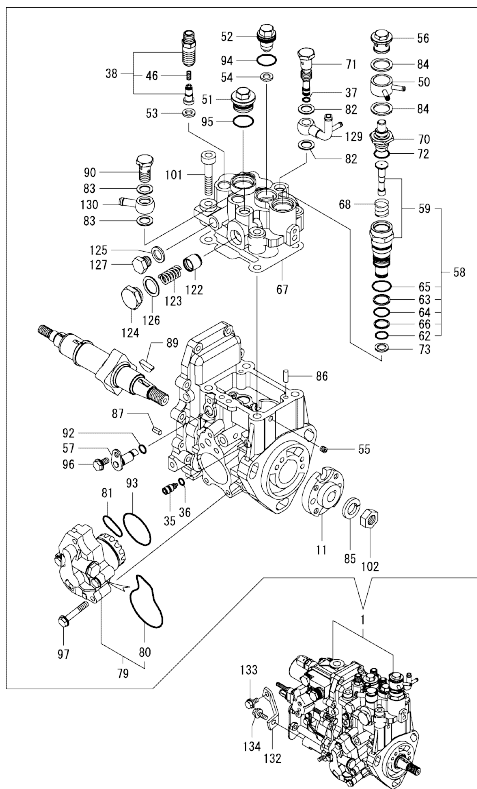
No.	Lev.	Parts No.	Description	Q'ty						I	R
				(A)	(B)	(C)	(D)	(E)	(F)		
1	1	729647-51390	PUMP ASSY, INJECTION	1							1
11	3	158552-51151	FLANGE	1							
35	3	158600-51270	STOPPER, TAPPET	1							
36	3	158563-51281	O-RING, 4D S6	1							
37	3	158563-51281	O-RING, 4D S6	1							
38	3	129509-51390	VALVE ASSY, DELIVERY	4							
46	4	158563-51330	SPRING, DELIVERY	4							
50	3	158553-51551	JOINT	1							
51	3	158601-51550	PLUG	1							
52	3	119802-51560	PLUG, BARREL	1							
53	3	158552-51571	GASKET	4							
54	3	158552-51571	GASKET	1							
55	3	158557-51570	PLUG	1							
56	3	158601-51570	PLUG	1							
57	3	158552-51580	LIFTER	1							
58	3	119802-51590	TIMER SET	1							
59	4	119802-51600	TIMER ASSY	1							
62	4	158553-51670	O-RING, 1011	1							
63	4	119802-51680	RING, BACK UP	1							
64	4	119802-51690	O-RING	1							
65	4	24356-010200	O-RING, 4D1020	1							
66	4	24372-000150	RING, BACK UP T2P15	1							
67	3	158552-51600	GASKET	1							
68	3	158553-51630	SPRING, TIMER	1							
70	3	158553-51640	ELEMENT	1							
71	3	158601-51650	JOINT, OVER FLOW	1							
72	3	158553-51660	O-RING, P14	1							
73	3	158553-51680	GASKET	1							
79	3	158552-52100	PUMP ASSY, FUEL FEED	1							
80	4	158552-52500	O-RING	1							
81	3	158552-52311	O-RING	1							
82	3	22190-120002	WASHER, SEAL 12	2							
83	3	22190-120002	WASHER, SEAL 12	2							
84	3	22190-180002	WASHER, SEAL 18	2							
85	3	22217-140000	WASHER, SPRING 14	1							
86	3	22312-050140	PIN, PARALLEL M5X14	2							
87	3	22351-050010	PIN, SPRING 5.0X10	2							
89	3	119802-51090	KEY, 4X16	1							
90	3	23857-060000	BOLT, JOINT 6	1							
92	3	24311-000070	O-RING, 1AP7.0	1							
93	3	158552-52400	O-RING, 4E S42	1							
94	3	24356-010180	O-RING, 4D1018	1							
95	3	24356-010200	O-RING, 4D1020	1							
96	3	26106-060102	BOLT, M6X 10 PLATED	1							
97	3	158553-51770	BOLT	4							
101	3	26450-080452	BOLT, M8X 45	4							
102	3	26776-140002	NUT, LOCK M14	1							
122	3	158601-51770	PISTON	1							
123	3	158552-51781	SPRING	1							
124	3	158601-51790	PLUG	1							
125	3	22190-120002	WASHER, SEAL 12	1							

Remarks  
(1)GOVERNOR ASSY(FIG.12) IS  
INCORPORATED IN THIS FOP.CMP  
(REF.NO.1).

N:Old  $\frac{New}{Old}$  New. Q:Old  $\frac{New}{Old}$  New. R:Old  $\frac{New}{Old}$  New. S:Old  $\frac{New}{Old}$  New. W:Add. Z:Discontinued. F:Interchangeable by set. K:Q'ty Change  
++ CONTINUE ++  
Copyright (C) YANMAR CO., LTD. All Rights Reserved.



Fig.11. FUEL INJECTION PUMP



(A)=4TNV88-GGB1BT  
(B)=  
(C)=

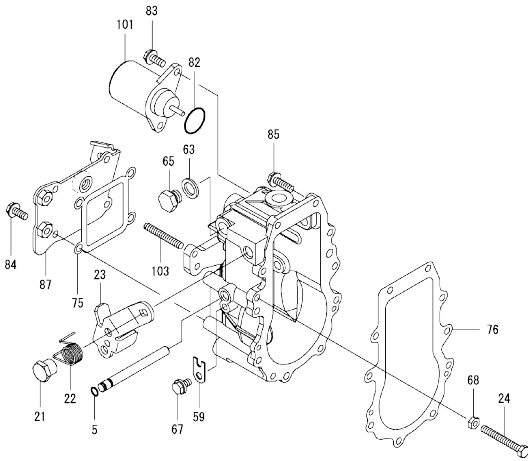
(D)=  
(E)=  
(F)=

No.	Lev.	Parts No.	Description	Q'ty					
				(A)	(B)	(C)	(D)	(E)	(F)
126	3	22190-180002	WASHER, SEAL 18	1					
127	3	158553-51930	PLUG, M12	1					
129	2	158552-51670	JOINT, OVER FLOW	1					
130	2	129916-59020	JOINT, PIPE 12	1					
132	1	129601-51250	RETAINER, PUMP	1					
133	1	26106-080162	BOLT, M8X 16 PLATED	1					
134	1	26106-080202	BOLT, M8X 20 PLATED	1					

Remarks  
(1)GOVERNOR ASSY(FIG.12) IS  
INCORPORATED IN THIS FOP.CMP  
(REF.NO.1).

0CW10-M56700 4TNV88-GGB1BT  
 Fig.12. GOVERNOR

0CW10-M56700 Fig.12



(A)=4TNV88-GGB1BT  
 (B)=  
 (C)=

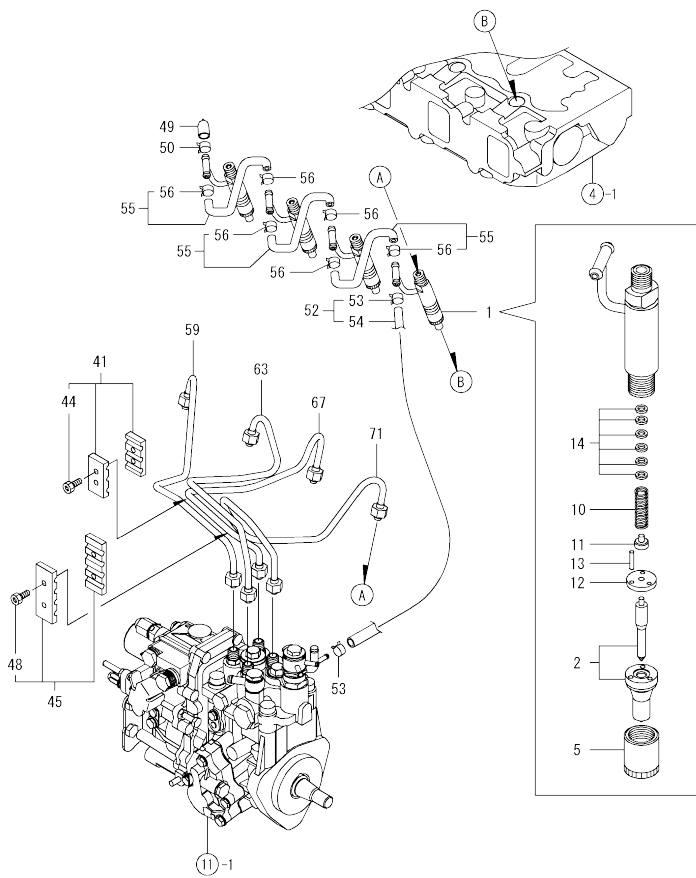
(D)=  
 (E)=  
 (F)=

No.	Lev.	Parts No.	Description	Q'ty						I	R
				(A)	(B)	(C)	(D)	(E)	(F)		
5	4	129155-51280	O-RING, S6	1							
21	4	129255-61410	NUT, LOCK	1							
22	4	119807-61420	SPRING, RETURN	1							
23	4	129246-61441	LEVER, REGULATOR	1							
24	4	129155-61460	BOLT, IDLE	1							
59	4	119660-61901	RETAINER, SHAFT	1							
63	4	22190-120002	WASHER, SEAL 12	1							
65	4	158553-51930	PLUG, M12	1							
67	4	26106-060102	BOLT, M6X 10 PLATED	1							
68	4	26756-060002	NUT, LOCK M6	1							
75	3	158553-61070	GASKET	1							
76	3	158553-61050	GASKET	1							
82	3	158552-61900	O-RING	1							
83	3	26106-060142	BOLT, M6X 14 PLATED	2							
84	3	26106-060142	BOLT, M6X 14 PLATED	4							
85	3	26106-060202	BOLT, M6X 20 PLATED	10							
87	3	129246-61061	COVER, GOVERNOR CASE	1							
101	2	119653-77950	SOLENOID, STOP	1							
103	2	171002-66830	SCREW	1							

Remarks  
 \* THIS FIGURE(GOVERNOR ASSY)IS  
 INCORPORATED IN THE FUEL INJECTION  
 PUMP ASSY(FIG.11).

N:Old  $\frac{100}{100}$  New, Q:Old  $\frac{100}{100}$  New, R:Old  $\frac{100}{100}$  New, S:Old  $\frac{100}{100}$  New, W:Add, Z:Discontinued, F:Interchangeable by set, K:Q'ty Change  
 Copyright (C) YANMAR CO., LTD. All Rights Reserved.

Fig.13. FUEL INJECTION VALVE

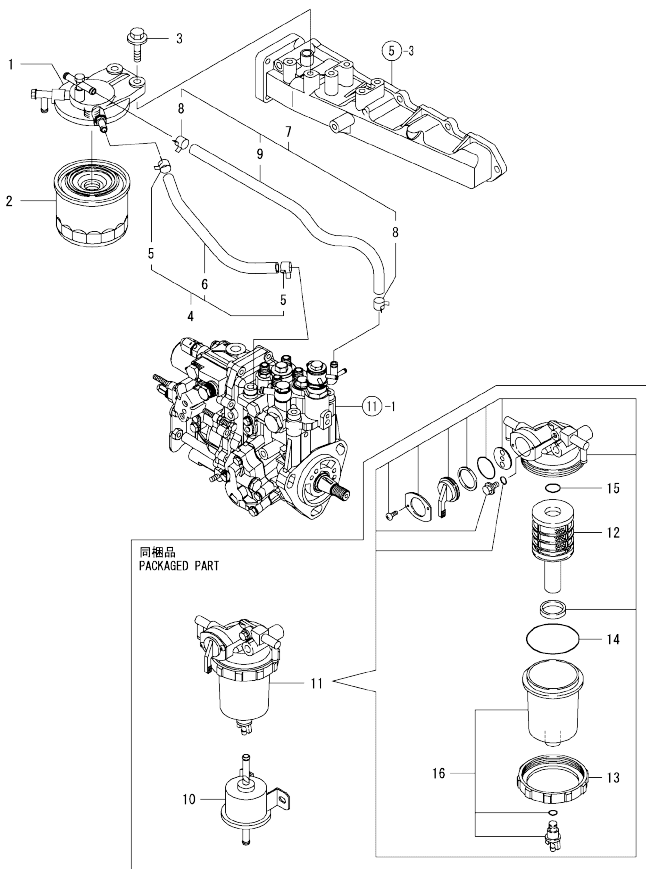


(A)=4TNV88-GGB1BT  
(B)=  
(C)=

(D)=  
(E)=  
(F)=

No.	Lev.	Parts No.	Description	Q'ty					
				(A)	(B)	(C)	(D)	(E)	(F)
1	1	729246-53101	VALVE ASSY,INJECTION	4					
2	2	129246-53001	VALVE ASSY,INJECTION	4					
5	2	114250-53080	NUT, NOZZLE D16.95	4					
10	2	114250-53120	SPRING, NOZZLE	4					
11	2	114250-53130	SEAT, SPRING	4					
12	2	114250-53140	PLATE	4					
13	2	114250-53210	PIN	8					
14	2	119803-53400	SHIM SET	4					
41	1	129150-59120	RETAINER, PIPE	1					
44	2	129150-59131	BOLT, M4X14	2					
45	1	129550-59120	RETAINER, PIPE	1					
48	2	129150-59131	BOLT, M4X14	2					
49	1	119593-59581	CAP	1					
50	1	124060-77680	CLIP, HOSE 10	1					
52	1	119802-59550	PIPE ASSY, RETURN	1					
53	2	124722-59050	CLIP, HOSE 9	2					
54	2	119802-59560	PIPE, FUEL RETURN	1					
55	1	129486-59551	PIPE ASSY, RETURN	3					
56	2	124722-59050	CLIP, HOSE 9	6					
59	1	129601-59810	PIPE ASSY, INJECTION	1					
63	1	129601-59820	PIPE ASSY, INJECTION	1					
67	1	129601-59830	PIPE ASSY, INJECTION	1					
71	1	129601-59840	PIPE ASSY, INJECTION	1					

Fig.14. FUEL LINE

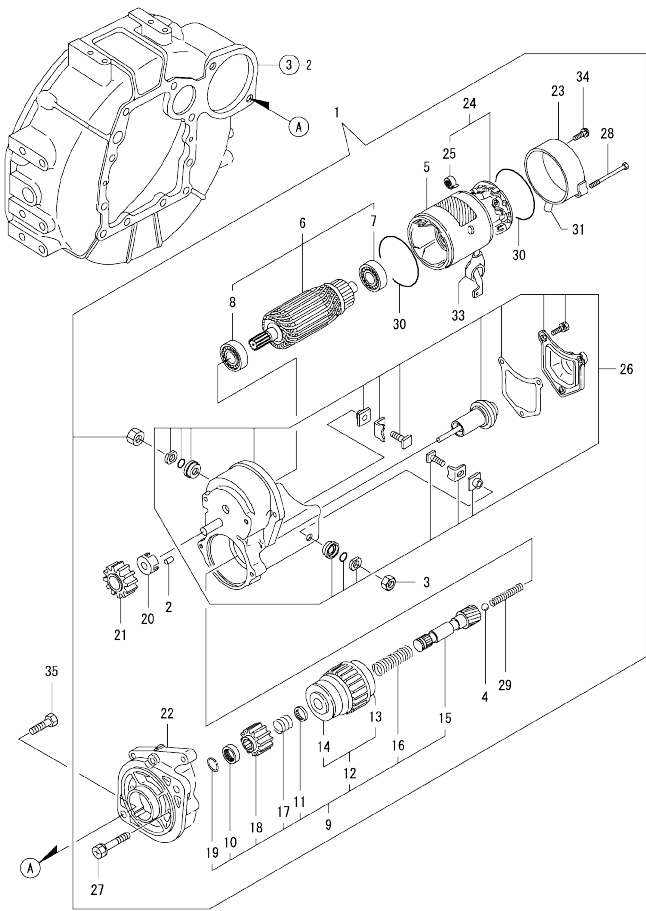


(A)=4TNV88-GGB1BT  
(B)=  
(C)=

(D)=  
(E)=  
(F)=

No.	Lev.	Parts No.	Description	Q'ty						
				(A)	(B)	(C)	(D)	(E)	(F)	
1	1	129004-55612	BRACKET, FILTER	1						
2	1	129907-55801	FILTER, FUEL	1						
3	1	26106-080302	BOLT, M8X 30 PLATED	2						
4	1	129210-59090	PIPE ASSY, FUEL	1						
5	2	124766-59050	CLIP, HOSE 12	2						
6	2	105325-59570	PIPE, FUEL	1						
7	1	129210-59150	PIPE ASSY, FUEL	1						
8	2	124766-59050	CLIP, HOSE 12	2						
9	2	105025-59530	PIPE, FUEL D13X400	1						
10	1	129612-52100	PUMP ASSY, FUEL FEED	1						
11	1	129906-55700	SEPARATOR ASSY	1						
12	2	119802-55710	ELEMENT	1						
13	2	129100-55690	RING, RETAINING	1						
14	2	24321-000650	O-RING, 1AG65.0	1						
15	2	24311-000160	O-RING, 1AP16.0	1						
16	2	119802-55730	CUP ASSY	1						

Fig.15. STARTING MOTOR



(A)=4TNV88-GGB1BT  
(B)=  
(C)=

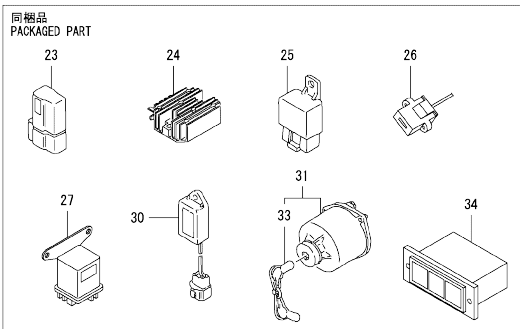
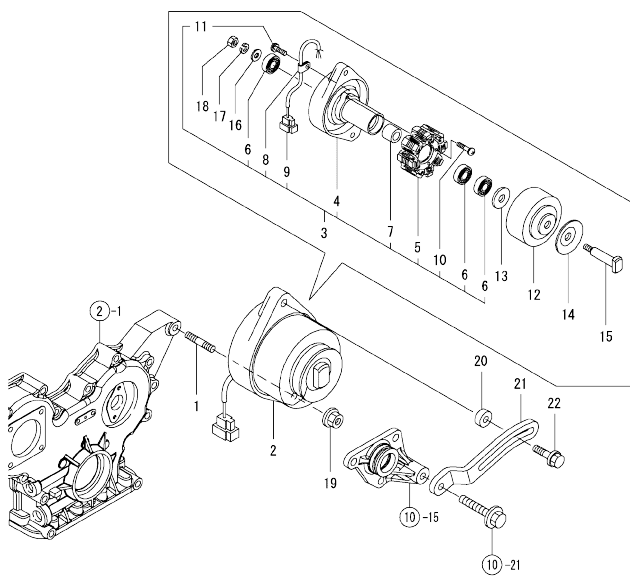
(D)=  
(E)=  
(F)=

No.	Lev.	Parts No.	Description	Qty						I	R
				(A)	(B)	(C)	(D)	(E)	(F)		
1	1	129407-77010	STARTER, RA1.4	1							
2	2	X0283060061	ROLLER	5							
3	2	X9490561370	NUT	1							
4	2	X9491200240	BALL	1							
5	2	129407-77210	YOKE ASSY	1							
6	2	129407-77220	ARMATURE ASSY	1							
7	3	129129-77230	BEARING	1							
8	3	129129-77240	BEARING	1							
9	2	129407-77250	STARTER	1							
10	3	X0280210230	NUT	1							
11	3	X0283270140	RETAINER	1							
12	3	129407-77390	CLUTCH ASSY	1							
13	4	129129-77440	BEARING	1							
14	4	129129-77450	BEARING	1							
15	3	129129-77400	SHAFT	1							
16	3	129129-77410	SPRING, COIL	1							
17	3	129407-77410	SPRING	1							
18	3	129129-77420	PINION	1							
19	3	129129-77430	RING	1							
20	2	129129-77260	RETAINER	1							
21	2	129129-77270	PINION	1							
22	2	129407-77280	HOUSING	1							
23	2	129129-77290	FRAME	1							
24	2	129407-77300	HOLDER ASSY	1							
25	3	X9491730461	SPRING	4							
26	2	129407-77310	SWITCH ASSY	1							
27	2	129129-77320	BOLT	2							
28	2	129407-77330	BOLT	2							
29	2	129129-77340	SPRING	1							
30	2	129129-77350	O-RING	2							
31	2	129129-77362	COVER	1							
33	2	129129-77380	CAP	1							
34	2	129129-77460	SCREW	2							
35	1	26116-120252	BOLT, M12X 25 PLATED	2							

N:Old  $\frac{100}{100}$  New, Q:Old  $\frac{100}{100}$  New, R:Old  $\frac{100}{100}$  New, S:Old  $\frac{100}{100}$  New, W:Add, Z:Discontinued, F:Interchangeable by set, K:Qty Change  
Copyright (C) YANMAR CO., LTD. All Rights Reserved.

0CW10-M56700 4TNV88-GGB1BT  
 Fig.16. GENERATOR

0CW10-M56700 Fig.16

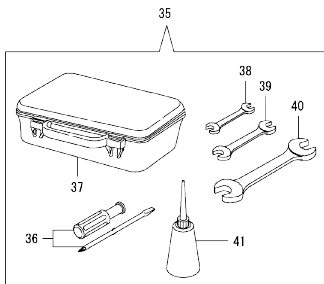
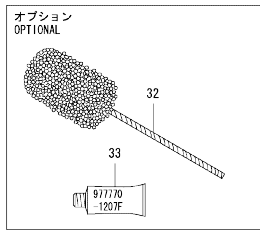
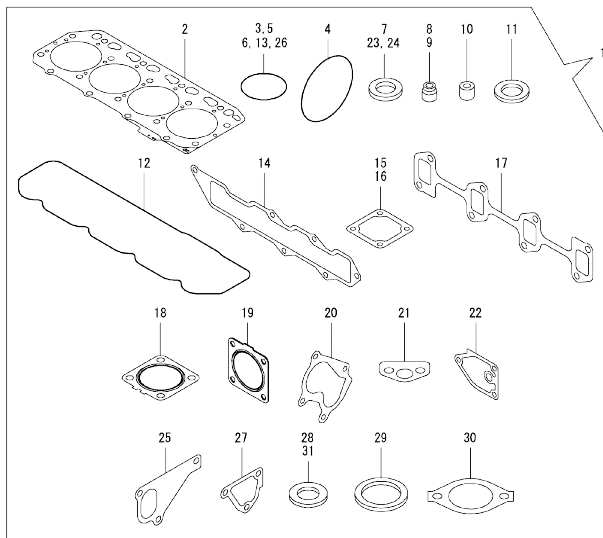


(A)=4TNV88-GGB1BT  
 (B)=  
 (C)=

(D)=  
 (E)=  
 (F)=

No.	Lev.	Parts No.	Description	Q'ty						I	R
				(A)	(B)	(C)	(D)	(E)	(F)		
1	1	129795-01900	STUD	1							
2	1	171301-77201	DYNAMO ASSY, 15A	1							
3	2	XM08137	PLATE ASSY	1							
4	3	X2A07073KA	PLATE	1							
5	3	X4A07023KB	STATOR ASSY	1							
6	3	24104-062010	BEARING, 6201UUC3	3							
7	3	XM329830000	COLLAR	1							
8	3	XM069000000	CLAMP	1							
9	3	X417878	COUPLER	1							
10	3	XYSPS402400	SCREW	2							
11	3	XYSPS400800	SCREW	1							
12	2	X3A08877KA	FLYWHEEL	1							
13	2	XM67935	WASHER	1							
14	2	XM721740000	PULLEY	1							
15	2	X4A07403K01	SHAFT	1							
16	2	XM860250000	WASHER 10	1							
17	2	XM219230000	WASHER, SPRING	1							
18	2	XM863720000	NUT	1							
19	1	26306-100002	NUT, M10	1							
20	1	119940-77270	SPACER, GENERATOR	1							
21	1	129004-77330	ADJUSTER	1							
22	1	129972-77341	BOLT, ADJUSTER L=50	1							
23	1	119643-66900	DIODE	1							
24	1	119233-77712	LIMITER, CURRENT 15A	1							
25	1	119247-77100	RELAY, SAFETY	2							
26	1	119643-77900	CONNECTOR, STARTER	1							
27	1	119650-77910	RELAY ASSY, GLOW	1							
30	1	129211-77920	TIMER	1							
31	1	129115-91250	SWITCH ASSY	1							
33	2	129115-91270	KEY ASSY	1							
34	1	170038-91310	UNIT, LAMP (RED)	1							

Fig.17. GASKET SET & TOOLS



(A)=4TNV88-GGB1BT  
(B)=  
(C)=

(D)=  
(E)=  
(F)=

No.	Lev.	Parts No.	Description	Q'ty						I	R
				(A)	(B)	(C)	(D)	(E)	(F)		
1	1	729602-92620	GASKET SET	1							1
2	2	129407-01340	GASKET, HEAD	1							
3	2	119609-32040	O-RING, P16	4							
4	2	121850-51960	O-RING	1							
5	2	24311-000320	O-RING, 1AP32.0	2							
6	2	24341-000240	O-RING, 1AS24.0	1							
7	2	22190-220002	WASHER, SEAL 22	1							
8	2	121400-11340	SEAL, VALVE STEM	4							
9	2	124460-11340	SEAL, VALVE STEM	4							
10	2	119802-11870	PROTECTOR, NOZZLE	4							
11	2	119625-11880	SEAT, NOZZLE	4							
12	2	129601-11310	GASKET, BONNET	1							
13	2	24311-000120	O-RING, 1AP12.0	3							
14	2	129407-12110	GASKET, MANIFOLD	1							
15	2	129100-77510	GASKET, AIR HEATER	1							
16	2	129150-77511	GASKET	1							
17	2	129550-13110	GASKET	1							
18	2	129004-13200	GASKET, SILENCER	1							
19	2	129930-13201	GASKET, SILENCER	5							
20	2	123901-18080	GASKET	1							
21	2	129150-35042	GASKET	1							
22	2	129150-35111	GASKET	1							
23	2	22190-080002	WASHER, SEAL 6	2							
24	2	22190-100002	WASHER, SEAL 10	2							
25	2	129486-42021	GASKET, WATER PUMP	1							
26	2	129486-42140	O-RING, G30	1							
27	2	124395-49840	GASKET	1							
28	2	23414-080000	GASKET, 8X1.0	1							
29	2	129150-49811	GASKET, THERMOSTAT	1							
30	2	129795-49551	GASKET	1							
31	2	124465-44950	GASKET, 16	2							
32	1	129400-92430	HONE	1							1
33	1	977770-1207F	GASKET LIQUID	1							1
35	1	721400-92102	BOX ASSY, TOOL	1							
36	2	104200-92350	DRIVER, SCREW	1							
37	2	104200-92600	BOX, TOOL	1							
38	2	28110-100120	SPANNER, 10X12	1							
39	2	28110-140170	SPANNER, 14X17	1							
40	2	28110-190220	SPANNER, 19X22	1							
41	2	28210-000140	OILER	1							

Remarks  
(1)OPTIONAL PART.

N:Old  $\frac{New}{Old}$  New, Q:Old  $\frac{New}{Old}$  New, R:Old  $\frac{New}{Old}$  New, S:Old  $\frac{New}{Old}$  New, W:Add, Z:Discontinued, F:Interchangeable by set, K:Q'ty Change  
Copyright (C) YANMAR CO., LTD. All Rights Reserved.

## Parts No. Index

Parts No.	Fig. No.	Ref. No.	Parts No.	Fig. No.	Ref. No.	Parts No.	Fig. No.	Ref. No.	Parts No.	Fig. No.	Ref. No.
104200-92350	17	36	119802-32111	2	17	124060-77680	13	50	129005-22950	8	35
104200-92600	17	37	119802-32120	2	18	124160-01751	2	8	129005-59830	9	15
105025-59530	14	9	119802-32130	2	19		4	39	129051-12530	5	12
105325-59570	14	6	119802-35100	9	6	124160-01910	1	6	129100-01580	3	1
114250-39450	9	12	119802-35110	9	7		1	7			14
114250-53080	13	5	119802-39450	9	14	124160-11360	4	51		8	2
114250-53120	13	10	119802-49113	10	10	124160-39140	9	13	129100-11112	4	21
114250-53130	13	11	119802-49730	10	40	124240-01871	2	9	129100-23910	8	30
114250-53140	13	12	119802-51090	11	89	124395-49840	10	17	129100-35140	9	8
114250-53210	13	13	119802-51560	11	52		17	27	129100-42051	10	3
118400-44670	10	51	119802-51590	11	58	124450-44510	10	54	129100-42121	10	4
118400-44720	10	52	119802-51600	11	59	124450-44530	10	56	129100-55690	14	13
119005-35151	9	10	119802-51680	11	63	124450-44550	10	59	129100-77501	5	20
119131-18320	6	5	119802-51690	11	64	124450-44560	10	57	129100-77510	5	21
119156-44600	10	61	119802-55710	14	12	124460-11340	4	26		17	15
119233-77712	16	24	119802-55730	14	16		17	9	129107-44590	10	48
119247-77100	16	25	119802-59550	13	52	124465-44950	10	36	129115-91250	16	31
119255-44660	10	63	119802-59560	13	54		37	37	129115-91270	16	33
119593-59581	13	49	119803-53400	13	14		17	31	129129-77230	15	7
119609-32040	2	11	119807-61420	12	22	124550-21600	8	14	129129-77240	15	8
	17	3	119808-12520	5	11	124722-59050	10	41	129129-77260	15	20
119620-01750	3	3	119808-12540	5	13		44	44	129129-77270	15	21
119625-11880	4	32	119866-12541	5	14		13	53	129129-77290	15	23
	17	11	119910-12210	5	7		56	56	129129-77320	15	27
119629-49080	10	70	119910-12510	5	10	124764-44810	10	64	129129-77340	15	29
119640-01640	3	8	119910-12601	5	9	124766-59050	10	74	129129-77350	15	30
119643-66900	16	23	119934-01800	2	5		14	5	129129-77362	15	31
119643-77900	16	26	119940-77270	16	20		8	8	129129-77380	15	33
119650-77910	16	27	120130-11860	4	29	126650-12680	5	16	129129-77400	15	15
119653-77950	12	101	120270-54410	4	34	129001-01250	1	5	129129-77410	15	16
119660-61901	12	59	121023-01551	2	27	129001-02931	1	30	129129-77420	15	18
119802-01520	2	6	121111-21501	8	11	129001-32330	2	16	129129-77430	15	19
119802-01561	2	7	121250-44901	10	35	129004-01190	1	27	129129-77440	15	13
119802-03110	4	43	121256-44600	10	62	129004-03010	4	41	129129-77450	15	14
119802-03121	4	44	121267-44760	10	26	129004-11130	4	23	129129-77460	15	34
119802-03130	4	45	121400-11340	4	25	129004-11650	4	9	129150-01200	1	28
119802-03141	4	46		17	8	129004-11900	4	33	129150-01650	3	16
119802-11260	4	6	121450-42450	10	34	129004-13200	17	18	129150-02020	1	9
119802-11270	4	7	121520-34810	9	2	129004-34802	9	1	129150-02450	7	4
119802-11870	4	31	121550-23200	8	27	129004-42001	10	1	129150-02871	1	33
	17	10	121550-49111	10	33	129004-42040	10	15	129150-02931	1	24
119802-12560	5	8	121850-21680	8	10	129004-49610	10	38	129150-02941	1	36
119802-21202	8	4	121850-42410	10	8	129004-49620	10	42	129150-03070	4	42
119802-21660	8	8	121850-51960	2	20	129004-49711	10	39	129150-11230	4	10
119802-25051	7	9		17	4	129004-49721	10	43	129150-11280	4	8
119802-25071	7	13	123900-13610	6	3	129004-55612	14	1	129150-11370	4	14
119802-25101	7	10	123900-13630	6	4	129004-77330	16	21	129150-11750	4	12
119802-25901	7	16	123901-18080	6	7	129005-22080	8	15	129150-11810	4	30
119802-32070	2	13		17	20	129005-22500	8	17	129150-14101	7	6
119802-32100	2	12	124060-01050	1	4	129005-22900	8	33	129150-14200	7	1



## Parts No. Index

Parts No.	Fig. No.	Ref. No.
129150-14400	7	2
129150-23601	8	28
129150-23611	8	31
129150-25301	7	15
129150-35042	9	3
	17	21
129150-35111	9	9
	17	22
129150-49080	10	68
129150-49100	10	67
129150-49811	10	29
	17	29
129150-59120	13	41
129150-59131	13	44
		48
129150-77511	5	22
	17	16
129155-49801	10	28
129155-51280	12	5
129155-61460	12	24
129202-22300	8	21
129210-49280	10	72
129210-59090	14	4
129210-59150	14	7
129211-77920	16	30
129246-53001	13	2
129246-61061	12	87
129246-61441	12	23
129255-61410	12	21
129350-49560	10	31
129400-01730	3	6
129400-01770	3	7
129400-92430	17	32
129403-42380	10	23
129407-01340	1	29
	17	2
129407-12110	5	4
	17	14
129407-77010	15	1
129407-77210	15	5
129407-77220	15	6
129407-77250	15	9
129407-77280	15	22
129407-77300	15	24
129407-77310	15	26
129407-77330	15	28
129407-77390	15	12
129407-77410	15	17
129410-03990	5	2
129418-32320	2	15

Parts No.	Fig. No.	Ref. No.
129436-35070	9	4 -1
129436-35091	9	4
129486-01670	3	18
129486-42021	10	14
	17	25
129486-42140	10	16
	17	26
129486-59551	13	55
129508-44550	10	47
129509-51390	11	38
129550-13110	6	2
	17	17
129550-59120	13	45
129601-03080	5	1
129601-11241	4	3
129601-11251	4	4
129601-11310	4	48
	17	12
129601-11350	4	40
129601-11700	4	15
129601-12100	5	3
129601-13109	6	1
129601-13550	6	10
129601-21002	8	1
129601-44500	10	46
129601-44560	10	60
129601-44600	10	49
129601-44610	10	50
129601-51250	11	132
129601-59810	13	59
129601-59820	13	63
129601-59830	13	67
129601-59840	13	71
129612-12650	5	15
129612-42350	10	24
129612-44700	10	25
129612-49030	10	65
129612-49040	10	66
129612-52100	14	10
129648-01600	3	15
129648-01780	3	17
129688-01780	3	7 -1
129795-01900	16	1
129795-01950	2	10
129795-02412	1	12
129795-11120	4	22
129795-11180	4	24
129795-21661	8	9
129795-49551	10	30
	17	30

Parts No.	Fig. No.	Ref. No.
129900-07900	4	1
129900-32130	2	14
129906-55700	14	11
129907-55801	14	2
129908-13510	6	9
129916-49740	10	11
129916-59020	11	130
129930-13201	6	8
	17	19
129972-77341	16	22
158552-51151	11	11
158552-51571	11	53
		54
158552-51580	11	57
158552-51600	11	67
158552-51670	11	129
158552-51781	11	123
158552-52100	11	79
158552-52311	11	81
158552-52400	11	93
158552-52500	11	80
158552-61900	12	82
158553-51551	11	50
158553-51630	11	68
158553-51640	11	70
158553-51660	11	72
158553-51670	11	62
158553-51680	11	73
158553-51770	11	97
158553-51930	11	127
	12	65
158553-61050	12	76
158553-61070	12	75
158557-51570	11	55
158563-51281	11	36
		37
158563-51330	11	46
158600-51270	11	35
158601-51550	11	51
158601-51570	11	56
158601-51650	11	71
158601-51770	11	122
158601-51790	11	124
170038-91310	16	34
171002-66830	12	103
171051-01921	1	8
171301-77201	16	2
171340-77520	5	23
171420-01600	3	2
171420-21590	8	12

Parts No.	Fig. No.	Ref. No.
172437-03391	10	45
22190-080002	9	16
	17	18
	17	23
22190-100002	9	19
	17	24
22190-120002	11	82
		83
		125
	12	63
22190-180002	11	84
		126
22190-220002	3	10
	17	7
22217-140000	11	85
22252-000260	8	22
22312-050140	11	86
22351-030010	8	7
22351-050010	11	87
22351-060012	4	35
22512-070140	7	7
	8	5
22857-500100	4	49
		50
23000-060000	5	17
23010-038000	10	75
23010-044000	10	76
23061-070230	10	58
23414-080000	10	18
	17	28
23857-030000	9	17
23857-060000	11	90
23876-010000	10	12
23876-020000	10	13
23876-030000	2	3
23876-040000	2	4
24104-062010	16	6
24311-000070	11	92
24311-000120	4	52
	17	13
24311-000160	14	15
24311-000320	2	22
	4	53
	17	5
24321-000650	14	14
24341-000240	2	28
	17	6
24356-010180	11	94
24356-010200	11	65
		95

## Parts No. Index

Parts No.	Fig. No.	Ref. No.
24372-000150	11	66
26013-080222	5	18
		19
26014-060122	10	53
26106-060102	11	96
	12	67
26106-060142	12	83
		84
26106-060162	2	29
26106-060202	12	85
26106-060302	10	27
26106-080122	10	19
26106-080142	7	8
26106-080162	2	23
		24
	3	11
	4	2
	10	20
	11	133
26106-080202	5	5
	9	11
	11	134
26106-080222	10	32
26106-080252	3	12
	4	36
26106-080302	14	3
26106-080352	3	19
	4	37
	9	5
26106-080402	5	24
	7	14
26106-080452	3	13
	10	21
26106-080502	3	20
	4	38
26106-080552	2	25
	9	5 -1
26106-080602	10	22
26106-080802	5	6
		25
26106-080852	2	21
26116-120252	15	35
26206-100252	3	4
26206-100302	3	5
26226-080182	4	13
26306-080002	2	26
	6	6
26306-100002	16	19
26366-060002	9	20
26450-080452	11	101

Parts No.	Fig. No.	Ref. No.
26756-060002	12	68
26776-140002	11	102
27241-120000	1	13
27241-300000	1	14
27241-400000	4	20
27310-080001	4	27
28110-100120	17	38
28110-140170	17	39
28110-190220	17	40
28210-000140	17	41
721400-92102	17	35
729233-01500	2	1
729246-53101	13	1
729402-23100	8	23
729601-14580	7	3
729602-01560	1	1
729602-92620	17	1
729647-51390	11	1
977770-1207F	17	33
X0280210230	15	10
X0283060061	15	2
X0283270140	15	11
X2A07073KA	16	4
X3A08877KA	16	12
X417878	16	9
X4A07023KB	16	5
X4A07403K01	16	15
X9490561370	15	3
X9491200240	15	4
X9491730461	15	25
XM069000000	16	8
XM08137	16	3
XM219230000	16	17
XM329830000	16	7
XM67935	16	13
XM721740000	16	14
XM860250000	16	16
XM863720000	16	18
XYSPS400800	16	11
XYSPS402400	16	10

Parts No.	Fig. No.	Ref. No.
-----------	----------	----------

Parts No.	Fig. No.	Ref. No.
-----------	----------	----------