

0CV10-M89800EN

PREFACE

1.This Parts Catalog carries all parts incorporated in YANMAR Model 4TNV88-KVA engine manufactured since September, 2003.

2.Each illustration corresponds to the parts list on the following page.

3.When ordering parts,clearly write down the engine model and serial number,as well as the name and number of each part in your order sheet. This will help insure reliable delivery of the parts you have ordered.

Directions for the Parts Catalog.

1. This Parts Catalog shows both standard and optional parts.
2. Parts may change without prior notice.
3. The following is an example of the Parts Catalog format.

| REF. | LEV. | PARTS NO. | DESCRIPTION | Q'TY | | | | | | I | R |
|------|------|--|---------------------|------|-----|-----|-----|-----|-----|---|---|
| | | | | (A) | (B) | (C) | (D) | (E) | (F) | | |
| 1 | 1 | 729595-51390 | FUEL INJECTION PUMP | 1 | 1 | 1 | 1 | 1 | | | 1 |
| 1-1 | 1 | 729595-51391 | FUEL INJECTION PUMP | 1 | 1 | 1 | 1 | 1 | | N | 1 |
| | | (A=E00185) (B=E00200) | | | | | | | | | |
| 3 | 2 | 26022-060162 | SCREW M 6X 16 | 9 | 9 | 9 | 9 | 9 | | | |
| 3-1 | 2 | 26022-060162 | SCREW M 6X 16 | 4 | 4 | 4 | 4 | 4 | | K | |
| | | (A=E00156) (B=E00156) (C=E00156) (D=E00156) (E=E00156) | | | | | | | | | |
| 4 | 2 | 129470-51040 | CAMSHAFT | 1 | 1 | 1 | 1 | 1 | | | |
| 5 | 2 | 122710-51050 | BEARING, ROLLER | 2 | 2 | 2 | 2 | 2 | | | |
| 6 | 2 | 129470-51060 | RETAINER | 1 | 1 | 1 | 1 | 1 | | | |

| |
|---|
| Remarks |
| (1) BOOST COMPEMSATOR TYPE. OPTIONAL PART, TO E00155,(4JH-DT, 4JH-DTZ |

① Ref. No.

The Ref. No. listed may not be in accordance with the illustration Ref. No.

(Ex.) Illustration No.

List Ref No.

1 1 (Before change) → 1-1 (After change)

For interchangeable symbols N, R and K, illustrations for new parts may be abbreviated.

② Lev. (Level)

Level indication

The numbers below indicate the level of relativity towards the main part.

1 ---- Main parts (Assembly parts)

2 ---- Sub component included in " 1 ".

3 ---- Sub component included in " 2 ".

Note) Parts that are not for sale are partially illustrated but not listed.

③ Interchangeability Symbol

When a part change takes place, one of the following interchangeability symbols is indicated beside the part.

| Symbol | Interchangeability | Contents note |
|--------|---|--|
| N | Old $\begin{matrix} \leftarrow \text{Yes} \\ \text{No} \rightarrow \end{matrix}$ New | New Part is interchangeable for Old Part but Old Part is not interchangeable for New Part. |
| Q | Old $\begin{matrix} \leftarrow \text{No} \\ \text{Yes} \rightarrow \end{matrix}$ New | New Part is not interchangeable for Old Part but Old Part is interchangeable for New Part. |
| R | Old $\begin{matrix} \leftarrow \text{Yes} \\ \text{Yes} \rightarrow \end{matrix}$ New | New/ Old Parts are both interchangeable. |
| S | Old $\begin{matrix} \leftarrow \text{No} \\ \text{No} \rightarrow \end{matrix}$ New | New/ Old Parts are both not interchangeable. |
| W | | Part newly added. |
| Z | | Part discontinued. |
| F | | Not interchangeable by a single part but interchangeable together with related parts. |
| K | | Changes only for used parts quantities. |

④ Effective Machine No.

When a part changes, the effective Machine No. will be indicated in the (A)-(F) column.

| Product Symbol | Product No. | Product Symbol | Product No. |
|----------------|---------------------------|----------------|-----------------------------------|
| C | Clutch No. Compressor No. | F | Machine No. (Agricultural Equip.) |
| D | Drive No. | M | Machine No. |
| E | Engine No. | | |

Note 1) A date may follow the symbol. (Ex.) 1996.01

Note 2) "XXXXX" and "ZZZZZ" are for parts that could not be predicted or for engine models that could not be identified.

Note 3) (A=E00185) is the E (Engine Serial Number) for the column (A) model (in this case 4JH-DT) after the parts design change.

⑤ Remarks

Figures or alphabets (symbols) are entered in the remarks column.

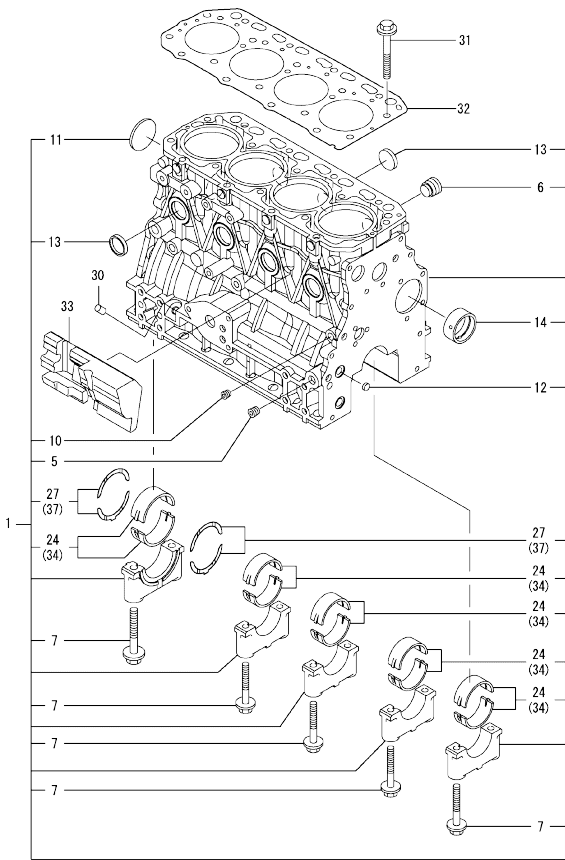
The comments (remarks) on parts that are indicated at the bottom of the illustration are the same symbols as those stated above.

Contents

| Fig. No. | Fig. Name | Fig. No. | Fig. Name |
|-----------------------------|----------------------------|----------|-----------|
| ENGINE SECTION (4TNV88-KVA) | | | |
| 1. | CYLINDER BLOCK | | |
| 2. | GEAR HOUSING | | |
| 3. | MAUNTING FLANGE & OIL SUMP | | |
| 4. | CYLINDER HEAD & BONNET | | |
| 5. | SUCTION MANIFOLD | | |
| 6. | EXHAUST MANIFOLD | | |
| 7. | CAMSHAFT & DRIVING GEAR | | |
| 8. | CRANKSHAFT & PISTON | | |
| 9. | BALANCER | | |
| 10. | LUB.OIL SYSTEM | | |
| 11. | COOLING WATER SYSTEM | | |
| 12. | FUEL INJECTION PUMP | | |
| 13. | FUEL INJECTION VALVE | | |
| 14. | FUEL LINE | | |
| 15. | STARTING MOTOR | | |
| 16. | GENERATOR | | |
| 17. | GASKET SET | | |

OCV10-M89800

Fig.1. CYLINDER BLOCK



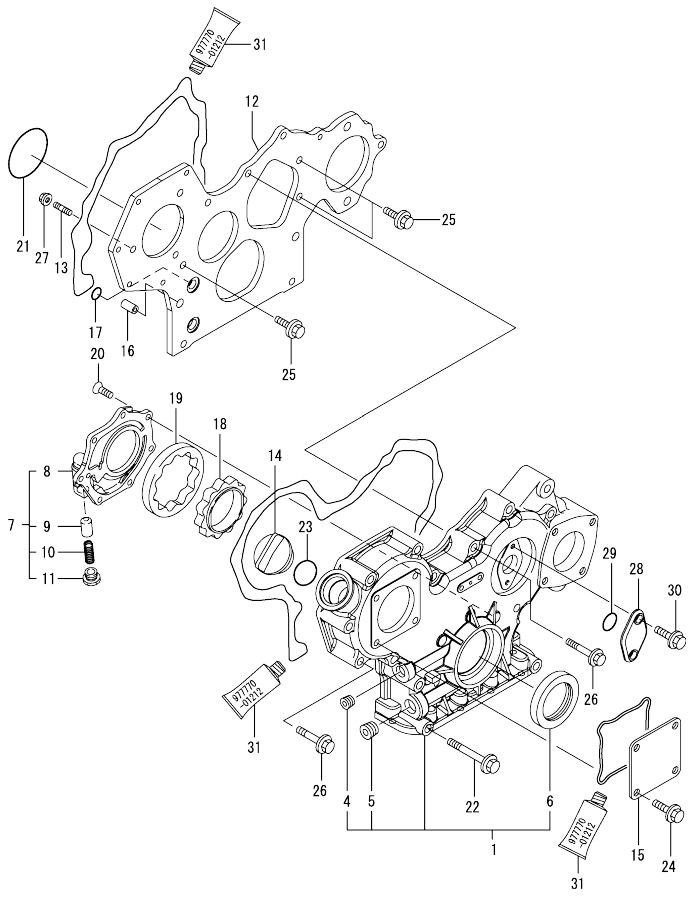
| No. | Lev. | Parts No. | Description | Q'ty | | | | | | I | R |
|-----|------|--------------|----------------------|------|-----|-----|-----|-----|-----|---|---|
| | | | | (A) | (B) | (C) | (D) | (E) | (F) | | |
| 1 | 1 | 729659-01570 | BLOCK ASSY, CYLINDER | 1 | | | | | | | |
| 5 | 2 | 124160-01910 | PLUG, PT1/4 | 2 | | | | | | | |
| 6 | 2 | 171051-01921 | PLUG, NPTF1 | 1 | | | | | | | |
| 7 | 2 | 129150-02020 | BOLT, METAL CAP | 10 | | | | | | | |
| 10 | 2 | 124060-01050 | PLUG, PT1/8 | 1 | | | | | | | |
| 11 | 2 | 129001-01250 | PLUG, 50 | 1 | | | | | | | |
| 12 | 2 | 27241-120000 | PLUG, 12 | 2 | | | | | | | |
| 13 | 2 | 27241-300000 | PLUG 30 | 8 | | | | | | | |
| 14 | 2 | 129795-02411 | BUSH, CAMSHAFT | 1 | | | | | | | |
| 24 | 2 | 129001-02930 | BEARING, MAIN | 5 | | | | | | | 3 |
| 27 | 2 | 129150-02930 | BEARING, THRUST | 2 | | | | | | | |
| 30 | 1 | 119309-01810 | PLUG | 1 | | | | | | | |
| 31 | 1 | 129150-01200 | BOLT, HEAD | 18 | | | | | | | |
| 32 | 1 | 129407-01340 | GASKET, HEAD | 1 | | | | | | | |
| 33 | 1 | 129004-01190 | SPACER | 1 | | | | | | | |
| 34 | 1 | 129150-02870 | BEARING, 0.25 US | 5 | | | | | | | 1 |
| 37 | 1 | 129150-02940 | BEARING, THRUST 0.25 | 1 | | | | | | | 2 |

Remarks
 (1) UNDER-SIZE(U.S=0.25)PART.
 (2) OVER-SIZE(O.S=0.25)PART.
 (3) REPAIR PART.

N:Old $\frac{100}{100}$ New, Q:Old $\frac{100}{100}$ New, R:Old $\frac{100}{100}$ New, S:Old $\frac{100}{100}$ New, W:Add, Z:Discontinued, F:Interchangeable by set, K:Q'ty Change
 Copyright (C) YANMAR CO., LTD. All Rights Reserved.

OCV10-M89800

Fig.2. GEAR HOUSING



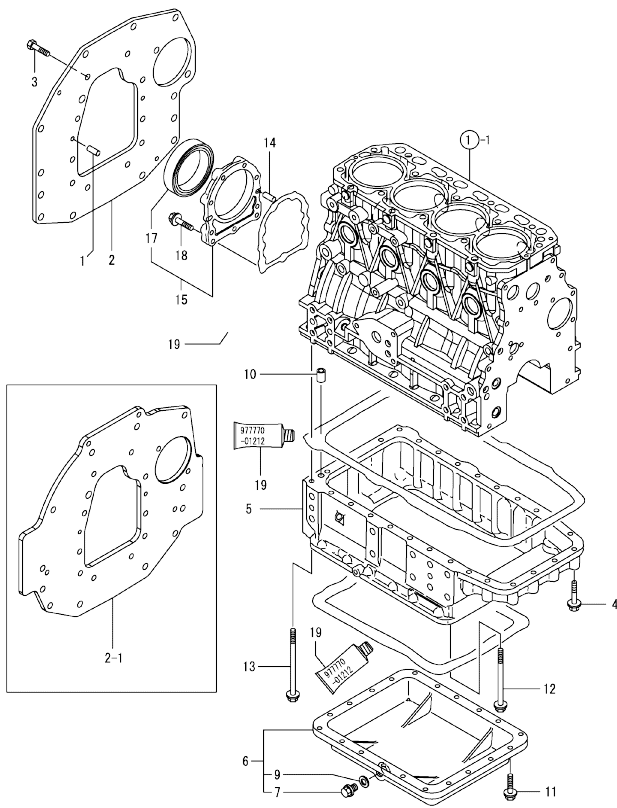
| No. | Lev. | Parts No. | Description | Q'ty | | | | | | I | R |
|-----|------|--------------|---------------------|------|-----|-----|-----|-----|-----|---|---|
| | | | | (A) | (B) | (C) | (D) | (E) | (F) | | |
| 1 | 1 | 729005-01500 | CASE ASSY, GEAR | 1 | | | | | | | |
| 4 | 2 | 23876-030000 | PLUG, R03 | 1 | | | | | | | |
| 5 | 2 | 23876-040000 | PLUG, R04 | 1 | | | | | | | |
| 6 | 2 | 129795-01800 | SEAL, OIL | 1 | | | | | | | |
| 7 | 1 | 119802-32100 | COVER ASSY | 1 | | | | | | | |
| 8 | 2 | 119802-32070 | COVER | 1 | | | | | | | |
| 9 | 2 | 129900-32130 | VALVE, RELIEF | 1 | | | | | | | |
| 10 | 2 | 129418-32320 | SPRING | 1 | | | | | | | |
| 11 | 2 | 129001-32330 | PLUG | 1 | | | | | | | |
| 12 | 1 | 129005-01520 | FLANGE, GEAR CASE | 1 | | | | | | | |
| 13 | 1 | 119802-01560 | STUD, M8X25 | 3 | | | | | | | |
| 14 | 1 | 124160-01751 | COVER, FILLER | 1 | | | | | | | |
| 15 | 1 | 124240-01871 | COVER | 1 | | | | | | | |
| 16 | 1 | 129795-01950 | PIPE, KNOCK L=18 | 2 | | | | | | | |
| 17 | 1 | 119609-32040 | O-RING, P16 | 4 | | | | | | | |
| 18 | 1 | 119802-32111 | ROTOR, INNER | 1 | | | | | | | |
| 19 | 1 | 119802-32120 | ROTOR, OUTER | 1 | | | | | | | |
| 20 | 1 | 119802-32130 | SCREW, M6X16 | 7 | | | | | | | |
| 21 | 1 | 121850-51960 | O-RING | 1 | | | | | | | |
| 22 | 1 | 129001-91841 | BOLT, M8X85 | 3 | | | | | | | |
| 23 | 1 | 24311-000320 | O-RING, 1AP32.0 | 1 | | | | | | | |
| 24 | 1 | 26106-080162 | BOLT, M8X 16 PLATED | 4 | | | | | | | |
| 25 | 1 | 26106-080162 | BOLT, M8X 16 PLATED | 3 | | | | | | | |
| 26 | 1 | 26106-080552 | BOLT, M8X 55 PLATED | 11 | | | | | | | |
| 27 | 1 | 26306-080002 | NUT, M8 | 3 | | | | | | | |
| 28 | 1 | 121023-01550 | COVER | 1 | | | | | | | |
| 29 | 1 | 24341-000240 | O-RING, 1AS24.0 | 1 | | | | | | | |
| 30 | 1 | 26106-060162 | BOLT, M6X 16 PLATED | 2 | | | | | | | |
| 31 | 1 | 977770-01212 | GASKET, LIQUID | 1 | | | | | | | 1 |

Remarks
 (1) OPTIONAL PART.

N:Old $\frac{100}{100}$ New, Q:Old $\frac{100}{100}$ New, R:Old $\frac{100}{100}$ New, S:Old $\frac{100}{100}$ New, W:Add, Z:Discontinued, F:Interchangeable by set, K:Qty Change
 Copyright (C) YANMAR CO., LTD. All Rights Reserved.

OCV10-M89800

Fig.3. MAUNTING FLANGE & OIL SUMP



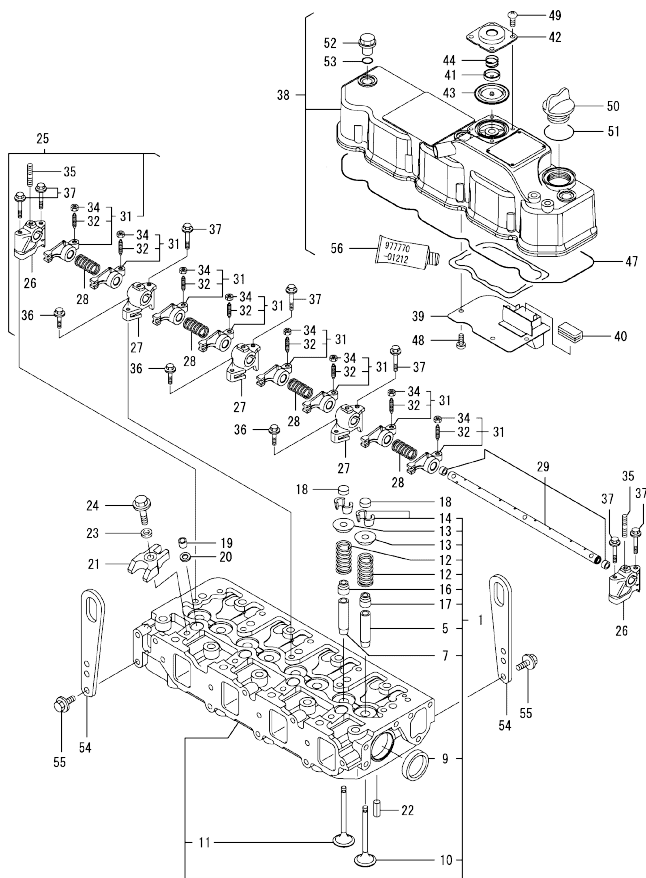
Remarks
(1) OPTIONAL PART.

| No. | Lev. | Parts No. | Description | Q'ty | | | | | | I | R |
|------------|------|--------------|----------------------|------|-----|-----|-----|-----|-----|---|---|
| | | | | (A) | (B) | (C) | (D) | (E) | (F) | | |
| 1 | 1 | 129100-01580 | PIN, M8X16 | 2 | | | | | | | |
| 2 | 1 | 129657-01600 | FLANGE, MOUNTING | 1 | | | | | | | |
| 2-1 | 1 | 129558-01610 | FLANGE, MOUNTING | 1 | | | | | | | S |
| (A=EZZZZZ) | | | | | | | | | | | |
| 3 | 1 | 26206-100202 | BOLT, M10X 20 PLATED | 10 | | | | | | | |
| 4 | 1 | 26106-080502 | BOLT, M8X 50 PLATED | 8 | | | | | | | |
| 5 | 1 | 129550-01702 | SUMP, OIL | 1 | | | | | | | |
| 6 | 1 | 129657-01730 | COVER ASSY, OIL SUMP | 1 | | | | | | | |
| 7 | 2 | 105425-01690 | PLUG, 16 | 1 | | | | | | | |
| 9 | 2 | 22190-160002 | WASHER, SEAL 16 | 1 | | | | | | | |
| 10 | 1 | 129555-01750 | PIPE, KNOCK 14X18 | 1 | | | | | | | |
| 11 | 1 | 26106-080252 | BOLT, M8X 25 PLATED | 20 | | | | | | | |
| 12 | 1 | 129001-91870 | BOLT, M8X100 | 14 | | | | | | | |
| 13 | 1 | 129001-91910 | BOLT, M8X120 | 4 | | | | | | | |
| 14 | 1 | 129100-01580 | PIN, M8X16 | 2 | | | | | | | |
| 15 | 1 | 129100-01640 | CASE ASSY, OIL SEAL | 1 | | | | | | | |
| 17 | 2 | 129795-01780 | SEAL, OIL | 1 | | | | | | | |
| 18 | 1 | 129486-01670 | BOLT, M8X30 | 9 | | | | | | | |
| 19 | 1 | 977770-01212 | GASKET, LIQUID | 1 | | | | | | | 1 |

N:Old $\frac{100}{100}$ New. Q:Old $\frac{100}{100}$ New. R:Old $\frac{100}{100}$ New. S:Old $\frac{100}{100}$ New. W:Add. Z:Discontinued. F:Interchangeable by set. K:Q'ty Change
Copyright (C) YANMAR CO., LTD. All Rights Reserved.

OCV10-M89800

Fig.4. CYLINDER HEAD & BONNET



Remarks

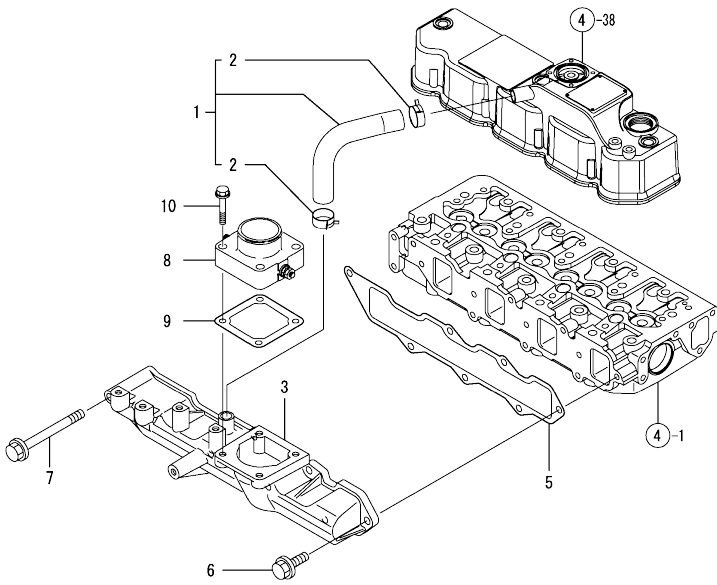
- (1) REPAIR PART.
- (2) OPTIONAL PART.

| No. | Lev. | Parts No. | Description | Q'ty | | | | | | I | R |
|-----|------|--------------|---------------------|------|-----|-----|-----|-----|-----|---|---|
| | | | | (A) | (B) | (C) | (D) | (E) | (F) | | |
| 1 | 1 | 129602-11700 | HEAD ASSY, CYLINDER | 1 | | | | | | | |
| 5 | 2 | 120130-11860 | GUIDE, VALVE | 4 | | | | | | | 1 |
| 7 | 2 | 129150-11810 | GUIDE, VALVE | 4 | | | | | | | 1 |
| 9 | 2 | 27241-400000 | PLUG, 40 | 2 | | | | | | | |
| 10 | 2 | 129005-11100 | VALVE, INTAKE | 4 | | | | | | | |
| 11 | 2 | 129100-11110 | VALVE, EXHAUST | 4 | | | | | | | |
| 12 | 2 | 129795-11120 | SPRING, VALVE | 8 | | | | | | | |
| 13 | 2 | 129795-11180 | RETAINER, SPRING | 8 | | | | | | | |
| 14 | 2 | 27310-080001 | COTTER, 8 | 8 | | | | | | | |
| 16 | 2 | 121400-11340 | SEAL, VALVE STEM | 4 | | | | | | | |
| 17 | 2 | 124460-11340 | SEAL, VALVE STEM | 4 | | | | | | | |
| 18 | 1 | 129150-11370 | CAP, VALVE | 8 | | | | | | | |
| 19 | 1 | 119802-11870 | PROTECTOR, NOZZLE | 4 | | | | | | | |
| 20 | 1 | 119625-11880 | SEAT, NOZZLE | 4 | | | | | | | |
| 21 | 1 | 129004-11900 | RETAINER, NOZZLE | 4 | | | | | | | |
| 22 | 1 | 22351-060012 | PIN, SPRING 6.0X12 | 2 | | | | | | | |
| 23 | 1 | 120270-54410 | WASHER, INJECTOR | 4 | | | | | | | |
| 24 | 1 | 26106-080352 | BOLT, M8X 35 PLATED | 4 | | | | | | | |
| 25 | 1 | 129601-11241 | SHAFT ASSY, ROCKER | 1 | | | | | | | |
| 26 | 2 | 119802-11260 | SUPPORT, ROCKER ARM | 2 | | | | | | | |
| 27 | 2 | 119802-11270 | SUPPORT, ROCKER ARM | 3 | | | | | | | |
| 28 | 2 | 129150-11280 | SPRING | 4 | | | | | | | |
| 29 | 2 | 129601-11251 | SHAFT, ROCKER ARM | 1 | | | | | | | |
| 31 | 2 | 129004-11650 | ARM, ROCKER | 8 | | | | | | | |
| 32 | 3 | 129150-11230 | SCREW, VALVE ADJUST | 8 | | | | | | | |
| 34 | 3 | 129150-11750 | NUT, M8 | 8 | | | | | | | |
| 35 | 2 | 26226-080182 | STUD, M8X 18 | 3 | | | | | | | |
| 36 | 1 | 26106-080252 | BOLT, M8X 25 PLATED | 3 | | | | | | | |
| 37 | 1 | 26106-080502 | BOLT, M8X 50 PLATED | 7 | | | | | | | |
| 38 | 1 | 129601-11350 | BONNET ASSY, HEAD | 1 | | | | | | | |
| 39 | 2 | 129004-03010 | PLATE | 1 | | | | | | | |
| 40 | 2 | 129150-03070 | BAFFLE, BREATHER | 1 | | | | | | | |
| 41 | 2 | 119802-03110 | PLATE | 1 | | | | | | | |
| 42 | 2 | 119802-03120 | COVER, DIAPHRAGM | 1 | | | | | | | |
| 43 | 2 | 119802-03130 | DIAPHRAGM | 1 | | | | | | | |
| 44 | 2 | 119802-03140 | SPRING, DIAPHRAGM | 1 | | | | | | | |
| 47 | 2 | 129601-11310 | GASKET, BONNET | 1 | | | | | | | |
| 48 | 2 | 22857-500100 | SCREW, 5X10 | 4 | | | | | | | |
| 49 | 2 | 22857-500100 | SCREW, 5X10 | 4 | | | | | | | |
| 50 | 1 | 124160-01751 | COVER, FILLER | 1 | | | | | | | |
| 51 | 1 | 24311-000320 | O-RING, 1AP32.0 | 1 | | | | | | | |
| 52 | 1 | 124160-11360 | KNOB | 3 | | | | | | | |
| 53 | 1 | 24311-000120 | O-RING, 1AP12.0 | 3 | | | | | | | |
| 54 | 1 | 129900-07900 | LIFTER | 2 | | | | | | | |
| 55 | 1 | 26106-080142 | BOLT, M8X 14 PLATED | 4 | | | | | | | |
| 56 | 1 | 977770-01212 | GASKET, LIQUID | 1 | | | | | | | 2 |

N:Old $\frac{100}{100}$ New, Q:Old $\frac{100}{100}$ New, R:Old $\frac{100}{100}$ New, S:Old $\frac{100}{100}$ New, W:Add, Z:Discontinued, F:Interchangeable by set, K:Q'ty Change
 Copyright (C) YANMAR CO., LTD. All Rights Reserved.

OCV10-M89800

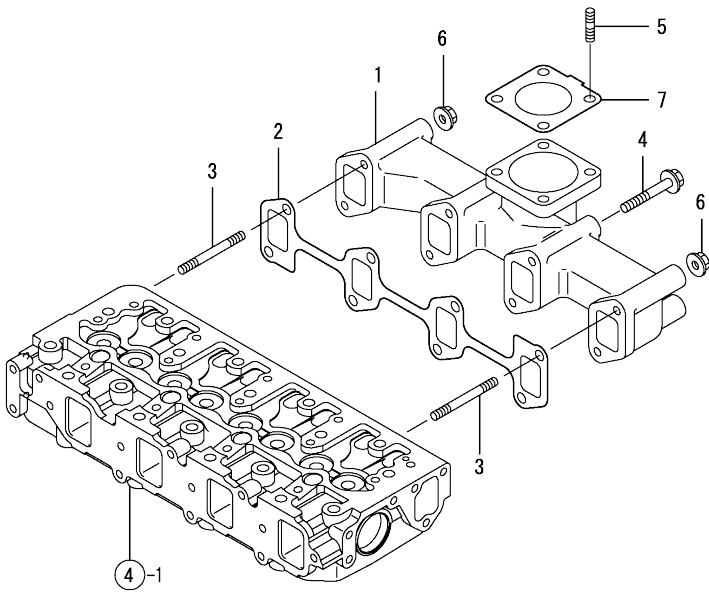
Fig.5. SUCTION MANIFOLD



| No. | Lev. | Parts No. | Description | Q'ty | | | | | | I | R |
|-----|------|--------------|----------------------|------|-----|-----|-----|-----|-----|---|---|
| | | | | (A) | (B) | (C) | (D) | (E) | (F) | | |
| 1 | 1 | 129005-03080 | PIPE , BREATHER | 1 | | | | | | | |
| 2 | 2 | 129410-03990 | CLIP | 2 | | | | | | | |
| 3 | 1 | 129602-12100 | MANIFOLD, AIR INTAKE | 1 | | | | | | | |
| 5 | 1 | 129407-12110 | GASKET, MANIFOLD | 1 | | | | | | | |
| 6 | 1 | 26106-080202 | BOLT, M8X 20 PLATED | 6 | | | | | | | |
| 7 | 1 | 26106-080802 | BOLT, M8X 80 PLATED | 1 | | | | | | | |
| 8 | 1 | 129120-77501 | HEATER | 1 | | | | | | | |
| 9 | 1 | 129150-77511 | GASKET | 1 | | | | | | | |
| 10 | 1 | 26106-080352 | BOLT, M8X 35 PLATED | 4 | | | | | | | |

OCV10-M89800

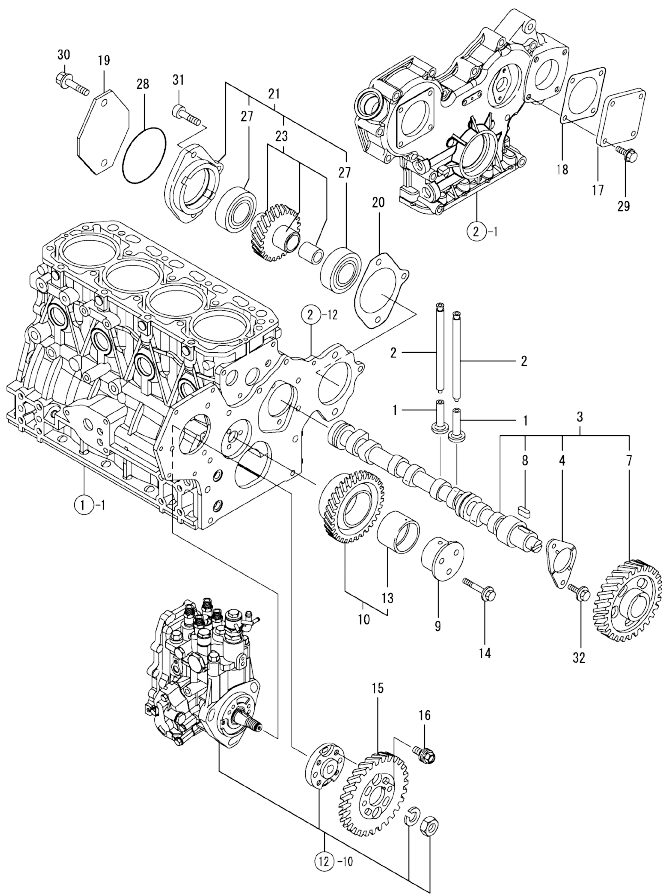
Fig.6. EXHAUST MANIFOLD



| No. | Lev. | Parts No. | Description | Q'ty | | | | | | I | R |
|-----|------|--------------|-------------------|------|-----|-----|-----|-----|-----|---|---|
| | | | | (A) | (B) | (C) | (D) | (E) | (F) | | |
| 1 | 1 | 129411-13100 | MANIFOLD, EXHAUST | 1 | | | | | | | |
| 2 | 1 | 129550-13110 | GASKET | 1 | | | | | | | |
| 3 | 1 | 123900-13610 | STUD, M8X80 | 2 | | | | | | | |
| 4 | 1 | 123900-13630 | BOLT, M8X80 | 6 | | | | | | | |
| 5 | 1 | 119131-18320 | STUD, M8X22 | 4 | | | | | | | |
| 6 | 1 | 26306-080002 | NUT, M8 | 2 | | | | | | | |
| 7 | 1 | 129930-13200 | GASKET, SILENCER | 1 | | | | | | | |

OCV10-M89800

Fig.7. CAMSHAFT & DRIVING GEAR



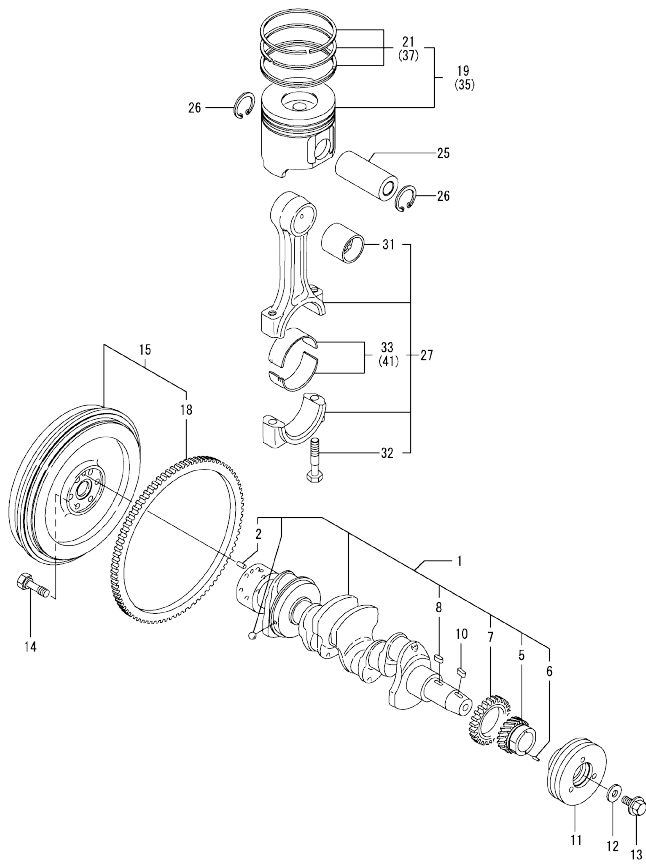
| No. | Lev. | Parts No. | Description | Q'ty | | | | | | I | R |
|-----|------|--------------|----------------------|------|-----|-----|-----|-----|-----|---|---|
| | | | | (A) | (B) | (C) | (D) | (E) | (F) | | |
| 1 | 1 | 129150-14200 | TAPPET | 8 | | | | | | | |
| 2 | 1 | 129150-14400 | ROD, PUSH L=178 | 8 | | | | | | | |
| 3 | 1 | 729402-14580 | CAMSHAFT ASSY | 1 | | | | | | | |
| 4 | 2 | 129150-02450 | BEARING, THRUST | 1 | | | | | | | |
| 7 | 2 | 129150-14101 | GEAR, CAMSHAFT | 1 | | | | | | | |
| 8 | 2 | 22512-070140 | KEY, 7X 14 | 1 | | | | | | | |
| 9 | 1 | 119802-25051 | SHAFT, IDLE | 1 | | | | | | | |
| 10 | 1 | 119802-25100 | GEAR ASSY, IDLE | 1 | | | | | | | |
| 13 | 2 | 119802-25070 | BUSH, IDLE GEAR | 1 | | | | | | | 1 |
| 14 | 1 | 26106-080402 | BOLT, M8X 40 PLATED | 3 | | | | | | | |
| 15 | 1 | 119802-25901 | GEAR, PUMP | 1 | | | | | | | |
| 16 | 1 | 129150-25301 | BOLT | 4 | | | | | | | |
| 17 | 1 | 124240-01871 | COVER | 1 | | | | | | | |
| 18 | 1 | 124240-01883 | GASKET | 1 | | | | | | | |
| 19 | 1 | 121023-26070 | COVER | 1 | | | | | | | |
| 20 | 1 | 171353-26081 | GASKET | 1 | | | | | | | |
| 21 | 1 | 129051-26200 | DRIVE ASSY, PUMP | 1 | | | | | | | |
| 23 | 2 | 129051-26210 | GEAR ASSY, PUMP | 1 | | | | | | | |
| 27 | 2 | 24105-060064 | BEARING, BALL 6006Z | 2 | | | | | | | |
| 28 | 1 | 24321-000850 | O-RING, 1AG85.0 | 1 | | | | | | | |
| 29 | 1 | 26106-080162 | BOLT, M8X 16 PLATED | 4 | | | | | | | |
| 30 | 1 | 26106-100452 | BOLT, M10X 45 PLATED | 2 | | | | | | | |
| 31 | 1 | 26450-080282 | BOLT, M8X 28 | 1 | | | | | | | |
| 32 | 1 | 26106-080142 | BOLT, M8X 14 PLATED | 2 | | | | | | | |

Remarks
(1) REPAIR PART.

N:Old $\frac{100}{100}$ New, Q:Old $\frac{100}{100}$ New, R:Old $\frac{100}{100}$ New, S:Old $\frac{100}{100}$ New, W:Add, Z:Discontinued, F:Interchangeable by set, K:Qty Change
Copyright (C) YANMAR CO., LTD. All Rights Reserved.

OCV10-M89800

Fig.8. CRANKSHAFT & PISTON



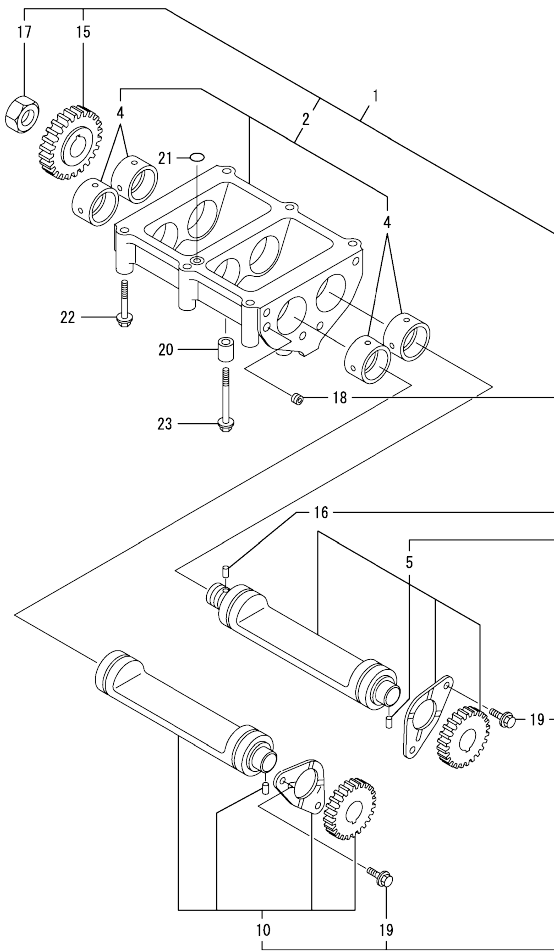
Remarks
 (1) REPAIR PART.
 (2) OVER-SIZE(O.S=0.25)PART.
 (3) UNDER-SIZE(U.S=0.25)PART.

| No. | Lev. | Parts No. | Description | Q'ty | | | | | | I | R |
|-----|------|--------------|----------------------|------|-----|-----|-----|-----|-----|---|---|
| | | | | (A) | (B) | (C) | (D) | (E) | (F) | | |
| 1 | 1 | 129657-21001 | CRANKSHAFT ASSY | 1 | | | | | | | |
| 2 | 2 | 129100-01580 | PIN, M8X16 | 1 | | | | | | | |
| 5 | 2 | 119802-21201 | GEAR, CRANKSHAFT | 1 | | | | | | | |
| 6 | 2 | 121850-21290 | PIN | 1 | | | | | | | |
| 7 | 2 | 129400-28121 | GEAR, BALANCER | 1 | | | | | | | |
| 8 | 2 | 22512-070140 | KEY, 7X 14 | 1 | | | | | | | |
| 10 | 1 | 22512-070140 | KEY, 7X 14 | 1 | | | | | | | |
| 11 | 1 | 119802-21650 | V-PULLEY, 110 | 1 | | | | | | | |
| 12 | 1 | 129795-21661 | WASHER | 1 | | | | | | | |
| 13 | 1 | 121850-21680 | BOLT | 1 | | | | | | | |
| 14 | 1 | 121111-21501 | BOLT, FLYWHEEL | 6 | | | | | | | |
| 15 | 1 | 129457-21560 | FLYWHEEL ASSY | 1 | | | | | | | |
| 18 | 2 | 119865-21600 | GEAR, RING | 1 | | | | | | | |
| 19 | 1 | 129005-22080 | PISTON ASSY | 4 | | | | | | | |
| 21 | 2 | 129005-22500 | RING SET, PISTON | 4 | | | | | | | |
| 25 | 1 | 129202-22300 | PIN, PISTON D26 L70 | 4 | | | | | | | |
| 26 | 1 | 22252-000260 | RING, 26 | 8 | | | | | | | |
| 27 | 1 | 729402-23100 | ROD ASSY, CONNECTING | 4 | | | | | | | |
| 31 | 2 | 129100-23910 | BEARING, PISTON PIN | 4 | | | | | | | 1 |
| 32 | 2 | 121550-23200 | BOLT, CONNECTING ROD | 8 | | | | | | | |
| 33 | 2 | 129150-23600 | BEARING, CRANK PIN | 4 | | | | | | | |
| 35 | 1 | 129005-22900 | PISTON ASSY, 0.25 OS | 4 | | | | | | | 2 |
| 37 | 2 | 129005-22950 | RING SET, 0.25 OS | 4 | | | | | | | 2 |
| 41 | 1 | 129150-23610 | BEARING, 0.25 US | 4 | | | | | | | 3 |

N:Old $\frac{New}{100}$ New, Q:Old $\frac{New}{100}$ New, R:Old $\frac{New}{100}$ New, S:Old $\frac{New}{100}$ New, W:Add, Z:Discontinued, F:Interchangeable by set, K:Qty Change
 Copyright (C) YANMAR CO., LTD. All Rights Reserved.

OCV10-M89800

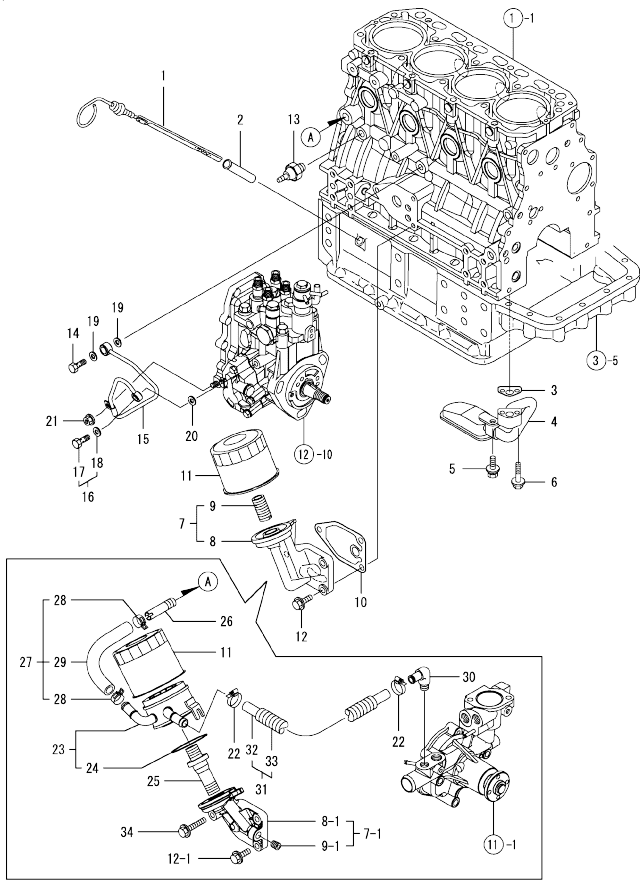
Fig.9. BALANCER



| No. | Lev. | Parts No. | Description | Q'ty | | | | | |
|-----|------|--------------|----------------------|------|-----|-----|-----|-----|-----|
| | | | | (A) | (B) | (C) | (D) | (E) | (F) |
| 1 | 1 | 129457-28000 | BALANCER ASSY | 1 | | | | | |
| 2 | 2 | 129457-28011 | CASE ASSY, BALANCER | 1 | | | | | |
| 4 | 3 | 129407-28240 | BUSH, BALANCER | 4 | | | | | |
| 5 | 2 | 729490-28510 | SHAFT ASSY, BALANCER | 1 | | | | | |
| 10 | 2 | 729490-28520 | SHAFT ASSY, BALANCER | 1 | | | | | |
| 15 | 2 | 129400-28150 | GEAR, BALANCER | 1 | | | | | |
| 16 | 2 | 121850-21290 | PIN | 1 | | | | | |
| 17 | 2 | 128170-14150 | NUT | 1 | | | | | |
| 18 | 2 | 23876-005000 | PLUG, R005 | 1 | | | | | |
| 19 | 2 | 26106-080142 | BOLT, M8X 14 PLATED | 4 | | | | | |
| 20 | 1 | 129795-01960 | PIPE, KNOCK | 2 | | | | | |
| 21 | 1 | 24311-000140 | O-RING, 1AP14.0 | 1 | | | | | |
| 22 | 1 | 26106-080602 | BOLT, M8X 60 PLATED | 4 | | | | | |
| 23 | 1 | 26106-080802 | BOLT, M8X 80 PLATED | 2 | | | | | |

N:Old $\frac{New}{Old}$ New. Q:Old $\frac{New}{Old}$ New. R:Old $\frac{New}{Old}$ New. S:Old $\frac{New}{Old}$ New. W:Add. Z:Discontinued. F:Interchangeable by set. K:Q'ty Change
 Copyright (C) YANMAR CO., LTD. All Rights Reserved.

Fig.10. LUB.OIL SYSTEM



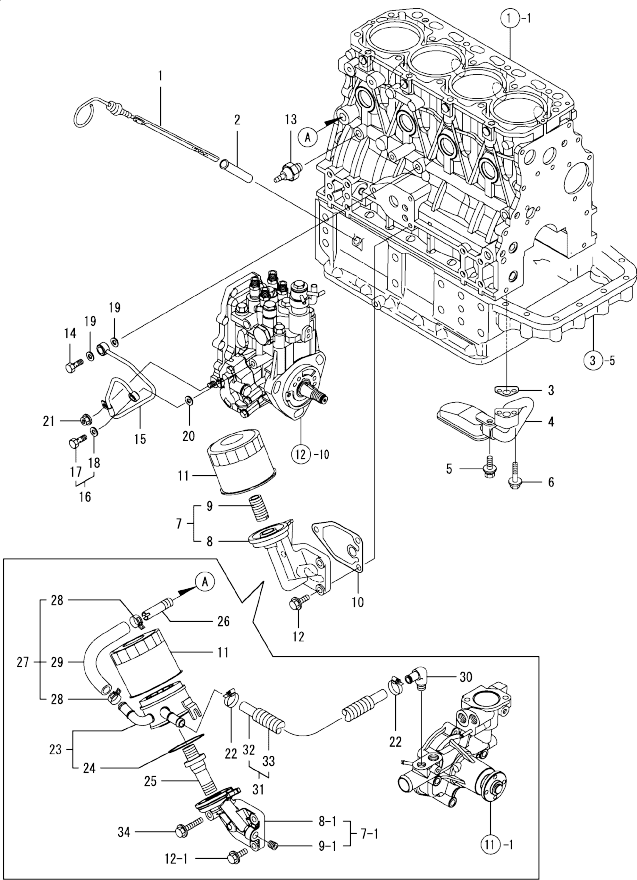
| No. | Lev. | Parts No. | Description | Q'ty | | | | | | I | R |
|------------|------|--------------|----------------------|------|-----|-----|-----|-----|-----|---|---|
| | | | | (A) | (B) | (C) | (D) | (E) | (F) | | |
| 1 | 1 | 129457-34800 | DIPSTICK, OIL | 1 | | | | | | | |
| 2 | 1 | 121520-34810 | GUIDE, DIPSTICK | 1 | | | | | | | |
| 3 | 1 | 129150-35041 | GASKET | 1 | | | | | | | |
| 4 | 1 | 129657-35090 | PIPE ASSY, OIL INLET | 1 | | | | | | | |
| 5 | 1 | 26014-080162 | BOLT, M8X 16 | 1 | | | | | | | |
| 6 | 1 | 26106-080352 | BOLT, M8X 35 PLATED | 2 | | | | | | | |
| 7 | 1 | 129657-35200 | BRACKET ASSY, FILTER | 1 | | | | | | | |
| 7-1 | 1 | 129558-35000 | BRACKET ASSY | 1 | | | | | | | S |
| (A=EZZZZZ) | | | | | | | | | | | |
| 8 | 2 | 129657-35110 | BRACKET ASSY, FILTER | 1 | | | | | | | |
| 8-1 | 1 | 129558-35100 | BRACKET,LO FILTER | 1 | | | | | | | S |
| (A=EZZZZZ) | | | | | | | | | | | |
| 9 | 2 | 129100-35140 | STUD | 1 | | | | | | | |
| 9-1 | 1 | 124160-01910 | PLUG, PT1/4 | 1 | | | | | | | S |
| (A=EZZZZZ) | | | | | | | | | | | |
| 10 | 1 | 129150-35111 | GASKET | 1 | | | | | | | |
| 11 | 1 | 129150-35153 | FILTER | 1 | | | | | | | 1 |
| 12 | 1 | 26106-080202 | BOLT, M8X 20 PLATED | 3 | | | | | | | |
| 12-1 | 1 | 26106-080252 | BOLT, M8X 25 PLATED | 2 | | | | | | | S |
| (A=EZZZZZ) | | | | | | | | | | | |
| 13 | 1 | 114250-39450 | SWITCH, 0.5KG | 1 | | | | | | | |
| 14 | 1 | 124160-39140 | BOLT, PIPE JOINT M10 | 1 | | | | | | | |
| 15 | 1 | 119802-39450 | PIPE ASSY, OIL | 1 | | | | | | | |
| 16 | 1 | 129005-59830 | BOLT ASSY, JOINT M8 | 1 | | | | | | | |
| 17 | 2 | 23857-030000 | BOLT, JOINT 3 | 1 | | | | | | | |
| 18 | 2 | 22190-080002 | WASHER, SEAL 6 | 1 | | | | | | | |
| 19 | 1 | 22190-100002 | WASHER, SEAL 10 | 2 | | | | | | | |
| 20 | 1 | 22190-080002 | WASHER, SEAL 6 | 1 | | | | | | | |
| 21 | 1 | 26366-060002 | NUT, M6 | 1 | | | | | | | |
| 22 | 1 | 129960-03990 | CLIP, HOSE 22 | 2 | | | | | | | W |
| (A=EZZZZZ) | | | | | | | | | | | |
| 23 | 1 | 129558-33010 | COOLER ASSY, OIL | 1 | | | | | | | W |
| (A=EZZZZZ) | | | | | | | | | | | |
| 24 | 2 | 129508-33050 | O-RING | 1 | | | | | | | W |
| (A=EZZZZZ) | | | | | | | | | | | |
| 25 | 1 | 123910-33100 | BOLT | 1 | | | | | | | W |
| (A=EZZZZZ) | | | | | | | | | | | |
| 26 | 1 | 129122-44480 | JOINT | 1 | | | | | | | W |
| (A=EZZZZZ) | | | | | | | | | | | |
| 27 | 1 | 129558-49150 | PIPE, WATER | 1 | | | | | | | W |
| (A=EZZZZZ) | | | | | | | | | | | |
| 28 | 2 | 171008-03990 | CLIP, HOSE 18.5 | 2 | | | | | | | W |
| (A=EZZZZZ) | | | | | | | | | | | |
| 29 | 2 | 129558-49160 | PIPE, WATER | 1 | | | | | | | W |
| (A=EZZZZZ) | | | | | | | | | | | |
| 30 | 1 | 129103-49301 | ELBOW, PT1/4 | 1 | | | | | | | W |
| (A=EZZZZZ) | | | | | | | | | | | |
| 31 | 1 | 123910-49600 | PIPE, WATER | 1 | | | | | | | W |
| (A=EZZZZZ) | | | | | | | | | | | |
| 32 | 2 | 123910-49020 | PIPE ASSY, WATER | 1 | | | | | | | W |
| (A=EZZZZZ) | | | | | | | | | | | |

Remarks
(1) REPAIR PART.

N:Old $\frac{N}{100}$ New, Q:Old $\frac{Q}{100}$ New, R:Old $\frac{R}{100}$ New, S:Old $\frac{S}{100}$ New, W:Add, Z:Discontinued, F:Interchangeable by set, K:Q'ty Change
 ++ CONTINUE ++
 Copyright (C) YANMAR CO., LTD. All Rights Reserved.

OCV10-M89800

Fig.10. LUB.OIL SYSTEM

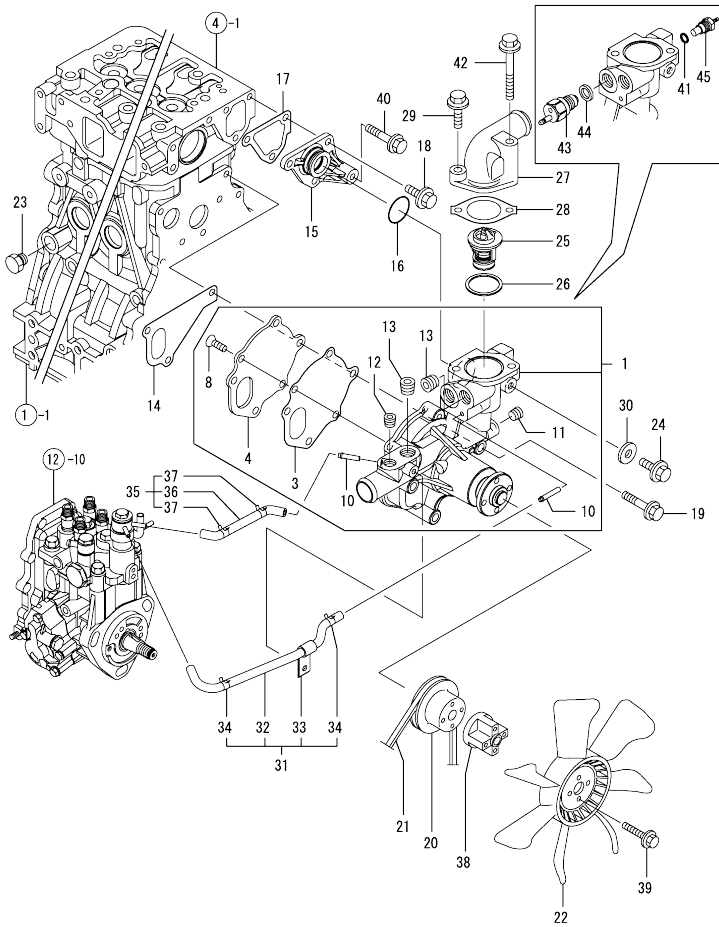


| No. | Lev. | Parts No. | Description | Q'ty | | | | | | I | R |
|-----|------|--------------|---------------------|------|-----|-----|-----|-----|-----|---|---|
| | | | | (A) | (B) | (C) | (D) | (E) | (F) | | |
| 33 | 2 | 123910-49610 | TUBE, CORRUGATED | 1 | | | | | | | W |
| 34 | 1 | 26106-080452 | BOLT, M8X 45 PLATED | 1 | | | | | | | W |

Remarks
(1) REPAIR PART.

N:Old $\frac{100}{100}$ New, Q:Old $\frac{100}{100}$ New, R:Old $\frac{100}{100}$ New, S:Old $\frac{100}{100}$ New, W:Add, Z:Discontinued, F:Interchangeable by set, K:Q'ty Change
Copyright (C) YANMAR CO., LTD. All Rights Reserved.

Fig.11. COOLING WATER SYSTEM

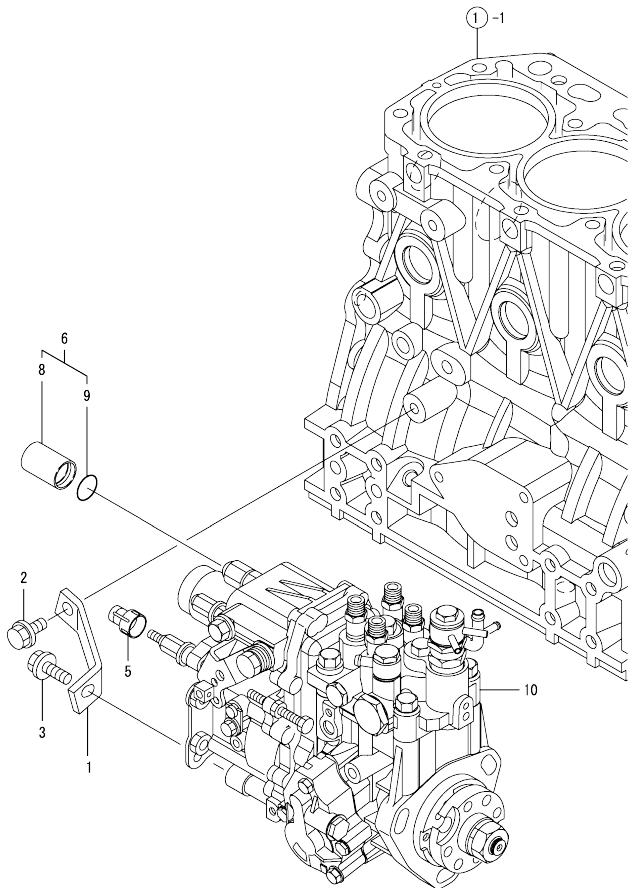


| No. | Lev. | Parts No. | Description | Q'ty | | | | | | I | R |
|-----|------|--------------|---------------------|------|-----|-----|-----|-----|-----|---|---|
| | | | | (A) | (B) | (C) | (D) | (E) | (F) | | |
| 1 | 1 | 129004-42000 | PUMP ASSY, WATER | 1 | | | | | | | |
| 3 | 2 | 129100-42051 | GASKET, WATER PUMP | 1 | | | | | | | |
| 4 | 2 | 129100-42121 | PLATE | 1 | | | | | | | |
| 8 | 2 | 121850-42410 | SCREW | 3 | | | | | | | |
| 10 | 2 | 119802-49112 | PIPE, WATER | 2 | | | | | | | |
| 11 | 2 | 23876-010000 | PLUG, R01 | 1 | | | | | | | |
| 12 | 2 | 23876-020000 | PLUG, R02 | 1 | | | | | | | |
| 13 | 2 | 23876-030000 | PLUG, R03 | 2 | | | | | | | |
| 14 | 1 | 129486-42021 | GASKET, WATER PUMP | 1 | | | | | | | |
| 15 | 1 | 129004-42040 | JOINT | 1 | | | | | | | |
| 16 | 1 | 129486-42140 | O-RING, G30 | 1 | | | | | | | |
| 17 | 1 | 124395-49840 | GASKET | 1 | | | | | | | |
| 18 | 1 | 26106-080162 | BOLT, M8X 16 PLATED | 3 | | | | | | | |
| 19 | 1 | 26106-080602 | BOLT, M8X 60 PLATED | 3 | | | | | | | |
| 20 | 1 | 129155-42350 | V-PULLEY | 1 | | | | | | | |
| 21 | 1 | 25152-003600 | V-BELT, A36 | 1 | | | | | | | |
| 22 | 1 | 121267-44741 | FAN, COOLING D=360 | 1 | | | | | | | |
| 23 | 1 | 171056-49120 | PLUG, DRAIN | 1 | | | | | | | |
| 24 | 1 | 26106-080122 | BOLT, M8X 12 PLATED | 1 | | | | | | | |
| 25 | 1 | 129457-49801 | THERMOSTAT, 82 | 1 | | | | | | | |
| 26 | 1 | 129150-49811 | GASKET, THERMOSTAT | 1 | | | | | | | |
| 27 | 1 | 124101-49531 | COVER, THERMOSTAT | 1 | | | | | | | |
| 28 | 1 | 129795-49551 | GASKET | 1 | | | | | | | |
| 29 | 1 | 26106-080252 | BOLT, M8X 25 PLATED | 1 | | | | | | | |
| 30 | 1 | 23414-080000 | GASKET, 8X1.0 | 1 | | | | | | | |
| 31 | 1 | 129004-49610 | PIPE ASSY, WATER | 1 | | | | | | | |
| 32 | 2 | 129004-49711 | PIPE ASSY, WATER | 1 | | | | | | | |
| 33 | 2 | 119802-49730 | RETAINER, PIPE | 1 | | | | | | | |
| 34 | 2 | 124722-59050 | CLIP, HOSE 9 | 2 | | | | | | | |
| 35 | 1 | 129004-49620 | PIPE ASSY, WATER | 1 | | | | | | | |
| 36 | 2 | 129004-49721 | PIPE ASSY, WATER | 1 | | | | | | | |
| 37 | 2 | 124722-59050 | CLIP, HOSE 9 | 2 | | | | | | | |
| 38 | 1 | 171353-44760 | SPACER, FAN | 1 | | | | | | | |
| 39 | 1 | 26106-080352 | BOLT, M6X 35 PLATED | 4 | | | | | | | |
| 40 | 1 | 26106-080452 | BOLT, M8X 45 PLATED | 1 | | | | | | | |
| 41 | 1 | 129150-49360 | GASKET | 1 | | | | | | | |
| 42 | 1 | 26106-080652 | BOLT, M8X 65 PLATED | 1 | | | | | | | |
| 43 | 1 | 121250-44901 | SWITCH, 110 | 1 | | | | | | | |
| 44 | 1 | 124465-44950 | GASKET, 16 | 1 | | | | | | | |
| 45 | 1 | 124250-49351 | SENSOR | 1 | | | | | | | |

N:Old $\frac{New}{Old}$ New, Q:Old $\frac{New}{Old}$ New, R:Old $\frac{New}{Old}$ New, S:Old $\frac{New}{Old}$ New, W:Add, Z:Discontinued, F:Interchangeable by set, K:Q'ty Change
 Copyright (C) YANMAR CO., LTD. All Rights Reserved.

OCV10-M89800

Fig.12. FUEL INJECTION PUMP

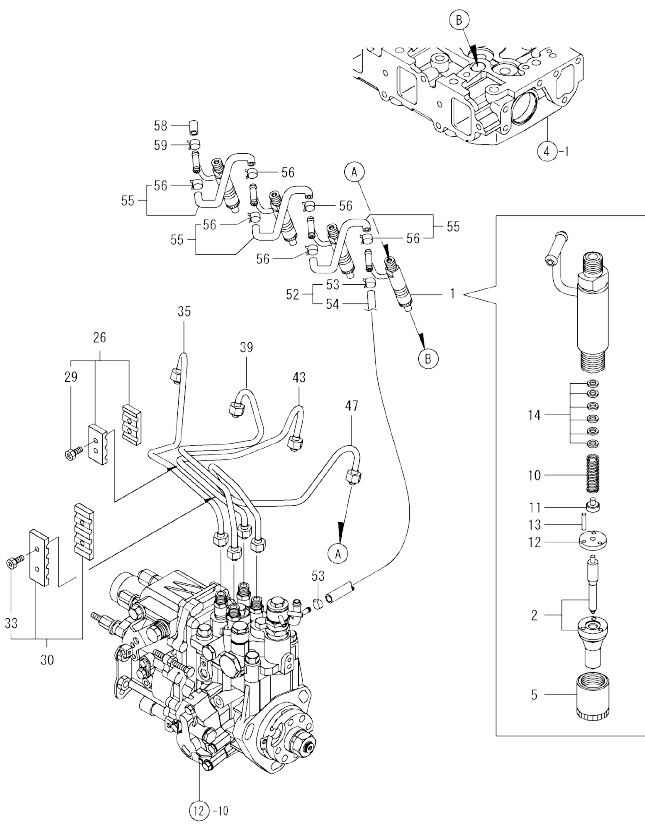


| No. | Lev. | Parts No. | Description | Q'ty | | | | | | I | R |
|-----|------|--------------|----------------------|------|-----|-----|-----|-----|-----|---|---|
| | | | | (A) | (B) | (C) | (D) | (E) | (F) | | |
| 1 | 1 | 129601-51250 | RETAINER, PUMP | 1 | | | | | | | |
| 2 | 1 | 26106-080162 | BOLT, M8X 16 PLATED | 1 | | | | | | | |
| 3 | 1 | 26106-080202 | BOLT, M8X 20 PLATED | 1 | | | | | | | |
| 5 | 1 | 119285-66650 | CAP, HIGH-IDLE | 1 | | | | | | | 1 |
| 6 | 1 | 129209-61940 | CASE ASSY | 1 | | | | | | | |
| 8 | 2 | 129209-61960 | CASE | 1 | | | | | | | 1 |
| 9 | 2 | 24311-000150 | O-RING, 1AP15.0 | 1 | | | | | | | |
| 10 | 1 | 729659-51310 | PUMP ASSY, INJECTION | 1 | | | | | | | |

Remarks
 (1) REPAIR PART.

N:Old $\frac{100}{100}$ New, Q:Old $\frac{100}{100}$ New, R:Old $\frac{100}{100}$ New, S:Old $\frac{100}{100}$ New, W:Add, Z:Discontinued, F:Interchangeable by set, K:Q'ty Change
 Copyright (C) YANMAR CO., LTD. All Rights Reserved.

Fig.13. FUEL INJECTION VALVE

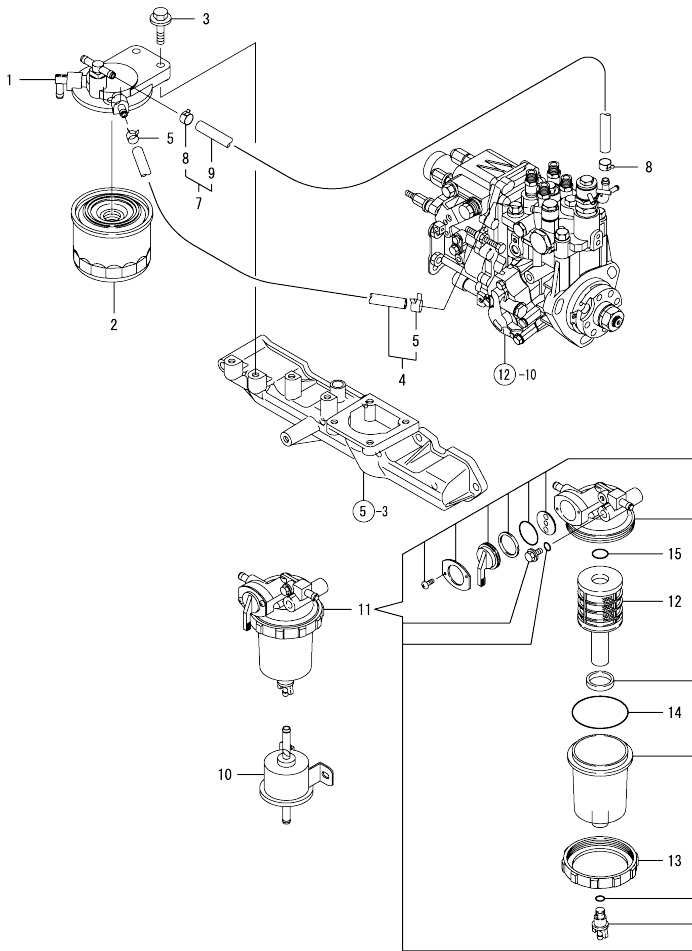


| No. | Lev. | Parts No. | Description | Q'ty | | | | | | I | R |
|-----|------|--------------|----------------------|------|-----|-----|-----|-----|-----|---|---|
| | | | | (A) | (B) | (C) | (D) | (E) | (F) | | |
| 1 | 1 | 729004-53101 | VALVE ASSY,INJECTION | 4 | | | | | | | |
| 2 | 2 | 129004-53001 | VALVE ASSY,INJECTION | 4 | | | | | | | |
| 5 | 2 | 114250-53080 | NUT, NOZZLE D16.95 | 4 | | | | | | | |
| 10 | 2 | 114250-53120 | SPRING, NOZZLE | 4 | | | | | | | |
| 11 | 2 | 114250-53130 | SEAT, SPRING | 4 | | | | | | | |
| 12 | 2 | 114250-53140 | PLATE | 4 | | | | | | | |
| 13 | 2 | 114250-53210 | PIN | 8 | | | | | | | |
| 14 | 2 | 114250-53400 | SHIM SET | 4 | | | | | | | |
| 26 | 1 | 129150-59120 | RETAINER, PIPE | 1 | | | | | | | |
| 29 | 2 | 129150-59131 | BOLT, M4X14 | 2 | | | | | | | |
| 30 | 1 | 129550-59120 | RETAINER, PIPE | 1 | | | | | | | |
| 33 | 2 | 129150-59131 | BOLT, M4X14 | 2 | | | | | | | |
| 35 | 1 | 129601-59810 | PIPE ASSY, INJECTION | 1 | | | | | | | |
| 39 | 1 | 129601-59820 | PIPE ASSY, INJECTION | 1 | | | | | | | |
| 43 | 1 | 129601-59830 | PIPE ASSY, INJECTION | 1 | | | | | | | |
| 47 | 1 | 129601-59840 | PIPE ASSY, INJECTION | 1 | | | | | | | |
| 52 | 1 | 119802-59550 | PIPE ASSY, RETURN | 1 | | | | | | | |
| 53 | 2 | 124722-59050 | CLIP, HOSE 9 | 2 | | | | | | | |
| 54 | 2 | 119802-59560 | PIPE, FUEL RETURN | 1 | | | | | | | |
| 55 | 1 | 129486-59551 | PIPE ASSY, RETURN | 3 | | | | | | | |
| 56 | 2 | 124722-59050 | CLIP, HOSE 9 | 6 | | | | | | | |
| 58 | 1 | 119593-59580 | CAP | 1 | | | | | | | |
| 59 | 1 | 124060-77680 | CLIP, HOSE 10 | 1 | | | | | | | |

N:Old $\frac{100}{100}$ New, Q:Old $\frac{100}{100}$ New, R:Old $\frac{100}{100}$ New, S:Old $\frac{100}{100}$ New, W:Add, Z:Discontinued, F:Interchangeable by set, K:Q'ty Change
 Copyright (C) YANMAR CO., LTD. All Rights Reserved.

OCV10-M89800

Fig.14. FUEL LINE

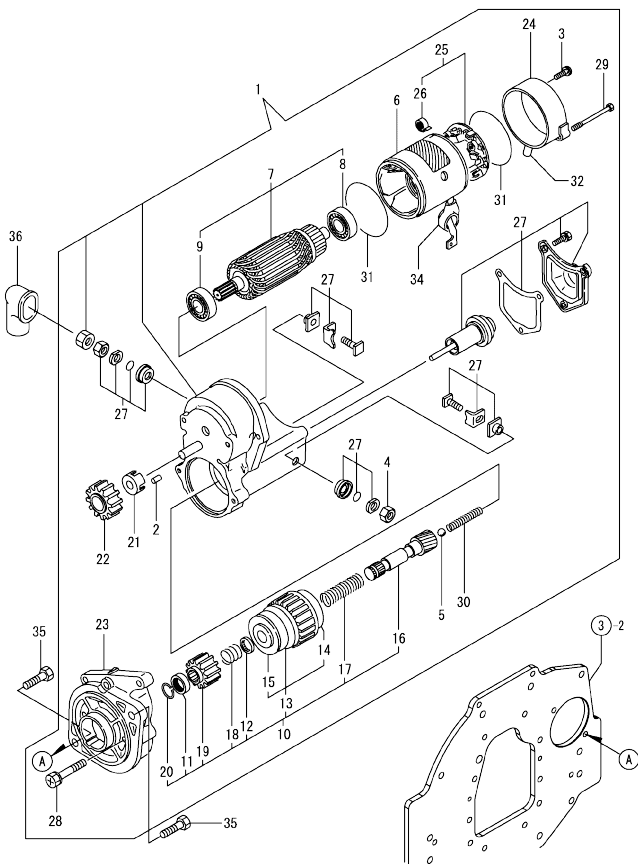


| No. | Lev. | Parts No. | Description | Q'ty | | | | | | I | R |
|-----|------|--------------|----------------------|------|-----|-----|-----|-----|-----|---|---|
| | | | | (A) | (B) | (C) | (D) | (E) | (F) | | |
| 1 | 1 | 129004-55610 | BRACKET, FILTER | 1 | | | | | | | |
| 2 | 1 | 119802-55800 | FILTER, FUEL | 1 | | | | | | | |
| 3 | 1 | 26106-080302 | BOLT, M8X 30 PLATED | 2 | | | | | | | |
| 4 | 1 | 129210-59090 | PIPE ASSY, FUEL | 1 | | | | | | | |
| 5 | 2 | 124766-59050 | CLIP, HOSE 12 | 2 | | | | | | | |
| 7 | 1 | 129210-59150 | PIPE ASSY, FUEL | 1 | | | | | | | |
| 8 | 2 | 124766-59050 | CLIP, HOSE 12 | 2 | | | | | | | |
| 9 | 2 | 105025-59530 | PIPE, FUEL D13X400 | 1 | | | | | | | |
| 10 | 1 | 119225-52102 | PUMP ASSY, FUEL FEED | 1 | | | | | | | |
| 11 | 1 | 119802-55700 | SEPARATOR ASSY | 1 | | | | | | | |
| 12 | 2 | 119802-55710 | ELEMENT | 1 | | | | | | | |
| 13 | 2 | 129100-55690 | RING, RETAINING | 1 | | | | | | | |
| 14 | 2 | 24321-000650 | O-RING, 1AG65.0 | 1 | | | | | | | |
| 15 | 2 | 24311-000160 | O-RING, 1AP16.0 | 1 | | | | | | | |

N:Old $\frac{New}{Old}$ New, Q:Old $\frac{New}{Old}$ New, R:Old $\frac{New}{Old}$ New, S:Old $\frac{New}{Old}$ New, W:Add, Z:Discontinued, F:Interchangeable by set, K:Qty Change
 Copyright (C) YANMAR CO., LTD. All Rights Reserved.

OCV10-M89800

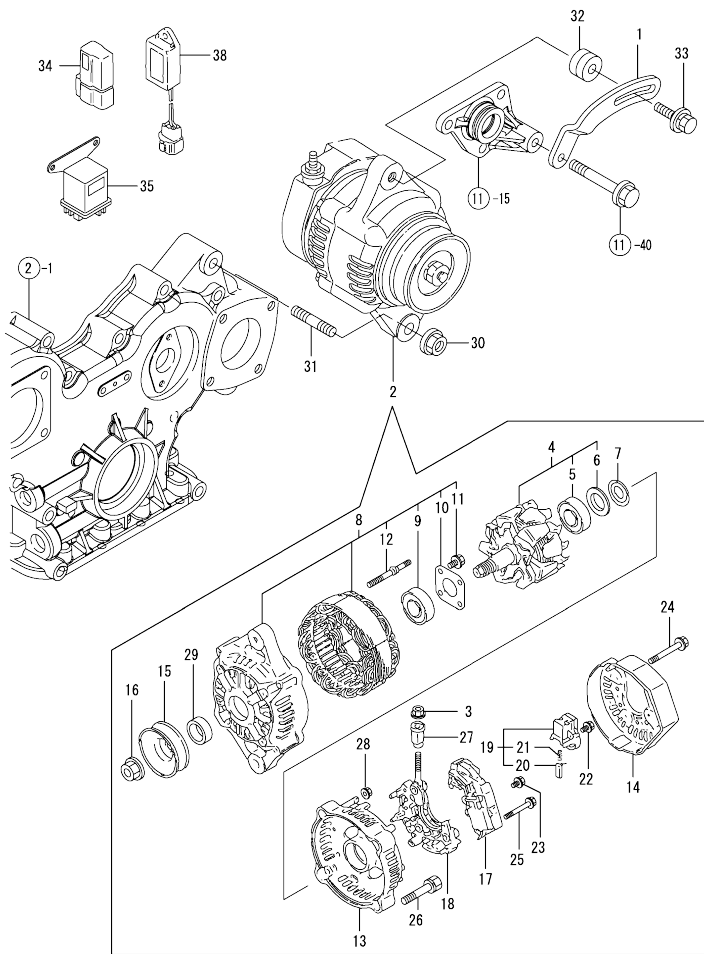
Fig.15. STARTING MOTOR



| No. | Lev. | Parts No. | Description | Q'ty | | | | | | I | R |
|------------|------|--------------|----------------------|------|-----|-----|-----|-----|-----|---|---|
| | | | | (A) | (B) | (C) | (D) | (E) | (F) | | |
| 1 | 1 | 129407-77010 | STARTER, RA1.4 | 1 | | | | | | | |
| 2 | 2 | X0283060061 | ROLLER | 5 | | | | | | | |
| 3 | 2 | 129129-77460 | SCREW | 2 | | | | | | | |
| 4 | 2 | X9490561370 | NUT | 1 | | | | | | | |
| 5 | 2 | X9491200240 | BALL | 1 | | | | | | | |
| 6 | 2 | 129407-77210 | YOKE ASSY | 1 | | | | | | | |
| 7 | 2 | 129407-77220 | ARMATURE ASSY | 1 | | | | | | | |
| 8 | 3 | 129129-77230 | BEARING | 1 | | | | | | | |
| 9 | 3 | 129129-77240 | BEARING | 1 | | | | | | | |
| 10 | 2 | 129407-77250 | STARTER | 1 | | | | | | | |
| 11 | 3 | X0280210230 | NUT | 1 | | | | | | | |
| 12 | 3 | X0283270140 | RETAINER | 1 | | | | | | | |
| 13 | 3 | 129407-77390 | CLUTCH ASSY | 1 | | | | | | | |
| 14 | 4 | 129129-77440 | BEARING, BALL | 1 | | | | | | | |
| 15 | 4 | 129129-77450 | BEARING, BALL | 1 | | | | | | | |
| 16 | 3 | 129129-77400 | SHAFT | 1 | | | | | | | |
| 17 | 3 | 129129-77410 | SPRING, COIL | 1 | | | | | | | |
| 18 | 3 | 129407-77410 | SPRING | 1 | | | | | | | |
| 19 | 3 | 129129-77420 | PINION, STARTER | 1 | | | | | | | |
| 20 | 3 | 129129-77430 | RING | 1 | | | | | | | |
| 21 | 2 | 129129-77260 | RETAINER | 1 | | | | | | | |
| 22 | 2 | 129129-77270 | PINION | 1 | | | | | | | |
| 23 | 2 | 129407-77280 | HOUSING | 1 | | | | | | | |
| 24 | 2 | 129407-77290 | FRAME | 1 | | | | | | | |
| 25 | 2 | 129407-77300 | HOLDER ASSY | 1 | | | | | | | |
| 26 | 3 | X9491730461 | SPRING | 4 | | | | | | | |
| 27 | 2 | 129407-77310 | SWITCH ASSY | 1 | | | | | | | |
| 28 | 2 | 129129-77320 | BOLT | 2 | | | | | | | |
| 29 | 2 | 129407-77330 | BOLT | 2 | | | | | | | |
| 30 | 2 | 129129-77340 | SPRING | 1 | | | | | | | |
| 31 | 2 | 129129-77350 | O-RING | 2 | | | | | | | |
| 32 | 2 | 129129-77362 | COVER | 1 | | | | | | | |
| 34 | 2 | 129129-77380 | CAP | 1 | | | | | | | |
| 35 | 1 | 26116-120252 | BOLT, M12X 25 PLATED | 2 | | | | | | | Z |
| 35-1 | 1 | 26116-120202 | BOLT, M12X 20 PLATED | 2 | | | | | | | W |
| (A=EZZZZZ) | | | | | | | | | | | |
| 36 | 1 | 124550-77030 | COVER, TERMINAL | 1 | | | | | | | |

N:Old $\frac{New}{Old}$ New, Q:Old $\frac{New}{Old}$ New, R:Old $\frac{New}{Old}$ New, S:Old $\frac{New}{Old}$ New, W:Add, Z:Discontinued, F:Interchangeable by set, K:Q'ty Change
 Copyright (C) YANMAR CO., LTD. All Rights Reserved.

Fig.16. GENERATOR

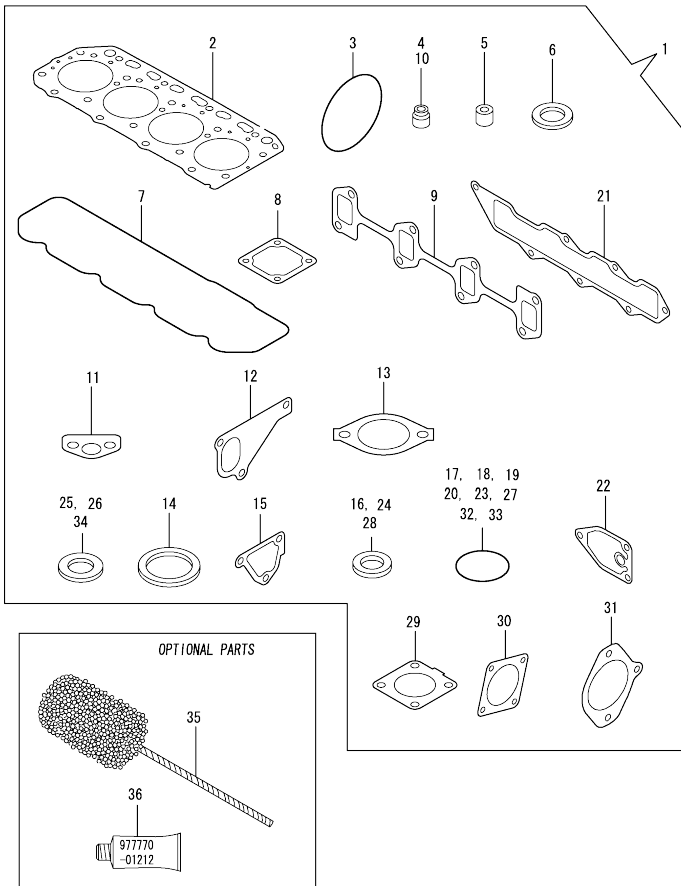


| No. | Lev. | Parts No. | Description | Q'ty | | | | | | I | R |
|-----|------|--------------|--------------------|------|-----|-----|-----|-----|-----|---|---|
| | | | | (A) | (B) | (C) | (D) | (E) | (F) | | |
| 1 | 1 | 129051-77330 | ADJUSTER | 1 | | | | | | | |
| 2 | 1 | 129423-77200 | GENERATOR, 12V-40A | 1 | | | | | | | |
| 3 | 2 | X9490561001 | NUT | 1 | | | | | | | |
| 4 | 2 | 119620-77380 | ROTOR ASSY | 1 | | | | | | | |
| 5 | 3 | 123501-79240 | BEARING, BALL | 1 | | | | | | | |
| 6 | 3 | 119620-79250 | COVER | 1 | | | | | | | |
| 7 | 2 | 119620-79360 | WASHER, THRUST | 1 | | | | | | | |
| 8 | 2 | 119620-77421 | FRAME ASSY, DRIVE | 1 | | | | | | | |
| 9 | 3 | 119620-79200 | BEARING, BALL | 1 | | | | | | | |
| 10 | 3 | 119620-79210 | PLATE, RETAINER | 1 | | | | | | | |
| 11 | 3 | 119620-79220 | SCREW | 4 | | | | | | | |
| 12 | 3 | 119620-79230 | STUD | 2 | | | | | | | |
| 13 | 2 | 119620-77440 | FRAME ASSY | 1 | | | | | | | |
| 14 | 2 | 129240-79300 | COVER | 1 | | | | | | | |
| 15 | 2 | 119620-77461 | PULLEY | 1 | | | | | | | |
| 16 | 2 | 119620-77471 | NUT | 1 | | | | | | | |
| 17 | 2 | 129423-77710 | REGULATOR ASSY | 1 | | | | | | | |
| 18 | 2 | 119620-79260 | HOLDER | 1 | | | | | | | |
| 19 | 2 | 119152-79270 | HOLDER, BRUSH | 1 | | | | | | | |
| 20 | 3 | 119620-77480 | BRUSH ASSY | 2 | | | | | | | |
| 21 | 3 | 119620-79280 | SPRING | 2 | | | | | | | |
| 22 | 2 | 119620-79290 | SCREW | 1 | | | | | | | |
| 23 | 2 | 119620-79300 | SCREW | 1 | | | | | | | |
| 24 | 2 | 119620-79310 | BOLT | 3 | | | | | | | |
| 25 | 2 | 119620-79320 | SCREW | 2 | | | | | | | |
| 26 | 2 | 119620-79330 | BOLT | 2 | | | | | | | |
| 27 | 2 | 119620-79340 | BUSH, INSULATION | 1 | | | | | | | |
| 28 | 2 | 119620-79350 | NUT | 2 | | | | | | | |
| 29 | 2 | 119620-77490 | COLLAR | 1 | | | | | | | |
| 30 | 1 | 26306-100002 | NUT, M10 | 1 | | | | | | | |
| 31 | 1 | 129795-01900 | STUD | 1 | | | | | | | |
| 32 | 1 | 129657-77340 | SPACER | 1 | | | | | | | |
| 33 | 1 | 26014-080502 | BOLT, M8X 50 | 1 | | | | | | | |
| 34 | 1 | 119643-66900 | DIODE | 1 | | | | | | | |
| 35 | 1 | 119650-77910 | RELAY ASSY, GLOW | 1 | | | | | | | |
| 36 | 1 | 129211-77920 | TIMER | 1 | | | | | | | |

N:Old $\frac{New}{Old}$ New, Q:Old $\frac{New}{Old}$ New, R:Old $\frac{New}{Old}$ New, S:Old $\frac{New}{Old}$ New, W:Add, Z:Discontinued, F:Interchangeable by set, K:Qty Change
 Copyright (C) YANMAR CO., LTD. All Rights Reserved.

OCV10-M89800

Fig.17. GASKET SET



| No. | Lev. | Parts No. | Description | Q'ty | | | | | | I | R |
|-----|------|--------------|--------------------|------|-----|-----|-----|-----|-----|---|---|
| | | | | (A) | (B) | (C) | (D) | (E) | (F) | | |
| 1 | 1 | 729601-92640 | GASKET SET | 1 | | | | | | | 1 |
| 2 | 2 | 129407-01340 | GASKET, HEAD | 1 | | | | | | | |
| 3 | 2 | 121850-51960 | O-RING | 1 | | | | | | | |
| 4 | 2 | 124460-11340 | SEAL, VALVE STEM | 4 | | | | | | | |
| 5 | 2 | 119802-11870 | PROTECTOR, NOZZLE | 4 | | | | | | | |
| 6 | 2 | 119625-11880 | SEAT, NOZZLE | 4 | | | | | | | |
| 7 | 2 | 129601-11310 | GASKET, BONNET | 1 | | | | | | | |
| 8 | 2 | 129150-77511 | GASKET | 1 | | | | | | | |
| 9 | 2 | 129550-13110 | GASKET | 1 | | | | | | | |
| 10 | 2 | 121400-11340 | SEAL, VALVE STEM | 4 | | | | | | | |
| 11 | 2 | 129150-35041 | GASKET | 1 | | | | | | | |
| 12 | 2 | 129486-42021 | GASKET, WATER PUMP | 1 | | | | | | | |
| 13 | 2 | 129795-49551 | GASKET | 1 | | | | | | | |
| 14 | 2 | 129150-49811 | GASKET, THERMOSTAT | 1 | | | | | | | |
| 15 | 2 | 124395-49840 | GASKET | 1 | | | | | | | |
| 16 | 2 | 22190-080002 | WASHER, SEAL 6 | 2 | | | | | | | |
| 17 | 2 | 24311-000120 | O-RING, 1AP12.0 | 3 | | | | | | | |
| 18 | 2 | 24311-000320 | O-RING, 1AP32.0 | 2 | | | | | | | |
| 19 | 2 | 24341-000240 | O-RING, 1AS24.0 | 1 | | | | | | | |
| 20 | 2 | 129486-42140 | O-RING, G30 | 1 | | | | | | | |
| 21 | 2 | 129407-12110 | GASKET, MANIFOLD | 1 | | | | | | | |
| 22 | 2 | 129150-35111 | GASKET | 1 | | | | | | | |
| 23 | 2 | 119609-32040 | O-RING, P16 | 4 | | | | | | | |
| 24 | 2 | 22190-100002 | WASHER, SEAL 10 | 2 | | | | | | | |
| 25 | 2 | 23414-080000 | GASKET, 8X1.0 | 1 | | | | | | | |
| 26 | 2 | 129150-49360 | GASKET | 1 | | | | | | | |
| 27 | 2 | 24311-000150 | O-RING, 1AP15.0 | 1 | | | | | | | |
| 28 | 2 | 22190-160002 | WASHER, SEAL 16 | 1 | | | | | | | |
| 29 | 2 | 129930-13200 | GASKET, SILENCER | 1 | | | | | | | |
| 30 | 2 | 124240-01883 | GASKET | 1 | | | | | | | |
| 31 | 2 | 171353-26081 | GASKET | 1 | | | | | | | |
| 32 | 2 | 24321-000850 | O-RING, 1AG85.0 | 1 | | | | | | | |
| 33 | 2 | 24311-000140 | O-RING, 1AP14.0 | 1 | | | | | | | |
| 34 | 2 | 124465-44950 | GASKET, 16 | 1 | | | | | | | |
| 35 | 1 | 129400-92430 | HONE | 1 | | | | | | | 1 |
| 36 | 1 | 977770-01212 | GASKET, LIQUID | 1 | | | | | | | 1 |

Remarks
(1) OPTIONAL PART.

N:Old $\frac{100}{100}$ New, Q:Old $\frac{100}{100}$ New, R:Old $\frac{100}{100}$ New, S:Old $\frac{100}{100}$ New, W:Add, Z:Discontinued, F:Interchangeable by set, K:Qty Change
Copyright (C) YANMAR CO., LTD. All Rights Reserved.

Parts No. Index

| Parts No. | Fig. No. | Ref. No. |
|--------------|----------|----------|
| 105025-59530 | 14 | 9 |
| 105425-01690 | 3 | 7 |
| 114250-39450 | 10 | 13 |
| 114250-53080 | 13 | 5 |
| 114250-53120 | 13 | 10 |
| 114250-53130 | 13 | 11 |
| 114250-53140 | 13 | 12 |
| 114250-53210 | 13 | 13 |
| 114250-53400 | 13 | 14 |
| 119131-18320 | 6 | 5 |
| 119152-79270 | 16 | 19 |
| 119225-52102 | 14 | 10 |
| 119285-66650 | 12 | 5 |
| 119309-01810 | 1 | 30 |
| 119593-59580 | 13 | 58 |
| 119609-32040 | 2 | 17 |
| | 17 | 23 |
| 119620-77380 | 16 | 4 |
| 119620-77421 | 16 | 8 |
| 119620-77440 | 16 | 13 |
| 119620-77461 | 16 | 15 |
| 119620-77471 | 16 | 16 |
| 119620-77480 | 16 | 20 |
| 119620-77490 | 16 | 29 |
| 119620-79200 | 16 | 9 |
| 119620-79210 | 16 | 10 |
| 119620-79220 | 16 | 11 |
| 119620-79230 | 16 | 12 |
| 119620-79250 | 16 | 6 |
| 119620-79260 | 16 | 18 |
| 119620-79280 | 16 | 21 |
| 119620-79290 | 16 | 22 |
| 119620-79300 | 16 | 23 |
| 119620-79310 | 16 | 24 |
| 119620-79320 | 16 | 25 |
| 119620-79330 | 16 | 26 |
| 119620-79340 | 16 | 27 |
| 119620-79350 | 16 | 28 |
| 119620-79360 | 16 | 7 |
| 119625-11880 | 4 | 20 |
| | 17 | 6 |
| 119643-66900 | 16 | 34 |
| 119650-77910 | 16 | 35 |
| 119802-01560 | 2 | 13 |
| 119802-03110 | 4 | 41 |
| 119802-03120 | 4 | 42 |
| 119802-03130 | 4 | 43 |
| 119802-03140 | 4 | 44 |
| 119802-11260 | 4 | 26 |
| 119802-11270 | 4 | 27 |

| Parts No. | Fig. No. | Ref. No. |
|--------------|----------|----------|
| 119802-11870 | 4 | 19 |
| | 17 | 5 |
| 119802-21201 | 8 | 5 |
| 119802-21650 | 8 | 11 |
| 119802-25051 | 7 | 9 |
| 119802-25070 | 7 | 13 |
| 119802-25100 | 7 | 10 |
| 119802-25901 | 7 | 15 |
| 119802-32070 | 2 | 8 |
| 119802-32100 | 2 | 7 |
| 119802-32111 | 2 | 18 |
| 119802-32120 | 2 | 19 |
| 119802-32130 | 2 | 20 |
| 119802-39450 | 10 | 15 |
| 119802-49112 | 11 | 10 |
| 119802-49730 | 11 | 33 |
| 119802-55700 | 14 | 11 |
| 119802-55710 | 14 | 12 |
| 119802-55800 | 14 | 2 |
| 119802-59550 | 13 | 52 |
| 119802-59560 | 13 | 54 |
| 119865-21600 | 8 | 18 |
| 120130-11860 | 4 | 5 |
| 120270-54410 | 4 | 23 |
| 121023-01550 | 2 | 28 |
| 121023-26070 | 7 | 19 |
| 121111-21501 | 8 | 14 |
| 121250-44901 | 11 | 43 |
| 121267-44741 | 11 | 22 |
| 121400-11340 | 4 | 16 |
| | 17 | 10 |
| 121520-34810 | 10 | 2 |
| 121550-23200 | 8 | 32 |
| 121850-21290 | 8 | 6 |
| | 9 | 16 |
| 121850-21680 | 8 | 13 |
| 121850-42410 | 11 | 8 |
| 121850-51960 | 2 | 21 |
| | 17 | 3 |
| 123501-79240 | 16 | 5 |
| 123900-13610 | 6 | 3 |
| 123900-13630 | 6 | 4 |
| 123910-33100 | 10 | 25 |
| 123910-49020 | 10 | 32 |
| 123910-49600 | 10 | 31 |
| 123910-49610 | 10 | 33 |
| 124060-01050 | 1 | 10 |
| 124060-77680 | 13 | 59 |
| 124101-49531 | 11 | 27 |
| 124160-01751 | 2 | 14 |

| Parts No. | Fig. No. | Ref. No. |
|--------------|----------|----------|
| 124160-01751 | 4 | 50 |
| 124160-01910 | 1 | 5 |
| | 10 | 9 -1 |
| 124160-11360 | 4 | 52 |
| 124160-39140 | 10 | 14 |
| 124240-01871 | 2 | 15 |
| | 7 | 17 |
| 124240-01883 | 7 | 18 |
| | 17 | 30 |
| 124250-49351 | 11 | 45 |
| 124395-49840 | 11 | 17 |
| | 17 | 15 |
| 124460-11340 | 4 | 17 |
| | 17 | 4 |
| 124465-44950 | 11 | 44 |
| | 17 | 34 |
| 124550-77030 | 15 | 36 |
| 124722-59050 | 11 | 34 |
| | | 37 |
| | 13 | 53 |
| | | 56 |
| 124766-59050 | 14 | 5 |
| | | 8 |
| 128170-14150 | 9 | 17 |
| 129001-01250 | 1 | 11 |
| 129001-02930 | 1 | 24 |
| 129001-32330 | 2 | 11 |
| 129001-91841 | 2 | 22 |
| 129001-91870 | 3 | 12 |
| 129001-91910 | 3 | 13 |
| 129004-01190 | 1 | 33 |
| 129004-03010 | 4 | 39 |
| 129004-11650 | 4 | 31 |
| 129004-11900 | 4 | 21 |
| 129004-42000 | 11 | 1 |
| 129004-42040 | 11 | 15 |
| 129004-49610 | 11 | 31 |
| 129004-49620 | 11 | 35 |
| 129004-49711 | 11 | 32 |
| 129004-49721 | 11 | 36 |
| 129004-53001 | 13 | 2 |
| 129004-55610 | 14 | 1 |
| 129005-01520 | 2 | 12 |
| 129005-03080 | 5 | 1 |
| 129005-11100 | 4 | 10 |
| 129005-22080 | 8 | 19 |
| 129005-22500 | 8 | 21 |
| 129005-22900 | 8 | 35 |
| 129005-22950 | 8 | 37 |
| 129005-59830 | 10 | 16 |

| Parts No. | Fig. No. | Ref. No. |
|--------------|----------|----------|
| 129051-26200 | 7 | 21 |
| 129051-26210 | 7 | 23 |
| 129051-77330 | 16 | 1 |
| 129100-01580 | 3 | 1 |
| | 8 | 2 |
| 129100-01640 | 3 | 15 |
| 129100-11110 | 4 | 11 |
| 129100-23910 | 8 | 31 |
| 129100-35140 | 10 | 9 |
| 129100-42051 | 11 | 3 |
| 129100-42121 | 11 | 4 |
| 129100-55690 | 14 | 13 |
| 129103-49301 | 10 | 30 |
| 129120-77501 | 5 | 8 |
| 129122-44480 | 10 | 26 |
| 129129-77230 | 15 | 8 |
| 129129-77240 | 15 | 9 |
| 129129-77260 | 15 | 21 |
| 129129-77270 | 15 | 22 |
| 129129-77320 | 15 | 28 |
| 129129-77340 | 15 | 30 |
| 129129-77350 | 15 | 31 |
| 129129-77362 | 15 | 32 |
| 129129-77380 | 15 | 34 |
| 129129-77400 | 15 | 16 |
| 129129-77410 | 15 | 17 |
| 129129-77420 | 15 | 19 |
| 129129-77430 | 15 | 20 |
| 129129-77440 | 15 | 14 |
| 129129-77450 | 15 | 15 |
| 129129-77460 | 15 | 3 |
| 129150-01200 | 1 | 31 |
| 129150-02020 | 1 | 7 |
| 129150-02450 | 7 | 4 |
| 129150-02870 | 1 | 34 |
| 129150-02930 | 1 | 27 |
| 129150-02940 | 1 | 37 |
| 129150-03070 | 4 | 40 |
| 129150-11230 | 4 | 32 |
| 129150-11280 | 4 | 28 |
| 129150-11370 | 4 | 18 |
| 129150-11750 | 4 | 34 |
| 129150-11810 | 4 | 7 |
| 129150-14101 | 7 | 7 |
| 129150-14200 | 7 | 1 |
| 129150-14400 | 7 | 2 |
| 129150-23600 | 8 | 33 |
| 129150-23610 | 8 | 41 |
| 129150-25301 | 7 | 16 |

Parts No. Index

| Parts No. | Fig. No. | Ref. No. |
|--------------|----------|----------|
| 129150-35041 | 10 | 3 |
| | 17 | 11 |
| 129150-35111 | 10 | 10 |
| | 17 | 22 |
| 129150-35153 | 10 | 11 |
| 129150-49360 | 11 | 41 |
| | 17 | 26 |
| 129150-49811 | 11 | 26 |
| | 17 | 14 |
| 129150-59120 | 13 | 26 |
| 129150-59131 | 13 | 29 |
| | | 33 |
| 129150-77511 | 5 | 9 |
| | 17 | 8 |
| 129155-42350 | 11 | 20 |
| 129202-22300 | 8 | 25 |
| 129209-61940 | 12 | 6 |
| 129209-61960 | 12 | 8 |
| 129210-59090 | 14 | 4 |
| 129210-59150 | 14 | 7 |
| 129211-77920 | 16 | 38 |
| 129240-79300 | 16 | 14 |
| 129400-28121 | 8 | 7 |
| 129400-28150 | 9 | 15 |
| 129400-92430 | 17 | 35 |
| 129407-01340 | 1 | 32 |
| | 17 | 2 |
| 129407-12110 | 5 | 5 |
| | 17 | 21 |
| 129407-28240 | 9 | 4 |
| 129407-77010 | 15 | 1 |
| 129407-77210 | 15 | 6 |
| 129407-77220 | 15 | 7 |
| 129407-77250 | 15 | 10 |
| 129407-77280 | 15 | 23 |
| 129407-77290 | 15 | 24 |
| 129407-77300 | 15 | 25 |
| 129407-77310 | 15 | 27 |
| 129407-77330 | 15 | 29 |
| 129407-77390 | 15 | 13 |
| 129407-77410 | 15 | 18 |
| 129410-03990 | 5 | 2 |
| 129411-13100 | 6 | 1 |
| 129418-32320 | 2 | 10 |
| 129423-77200 | 16 | 2 |
| 129423-77710 | 16 | 17 |
| 129457-21560 | 8 | 15 |
| 129457-28000 | 9 | 1 |
| 129457-28011 | 9 | 2 |
| 129457-34800 | 10 | 1 |

| Parts No. | Fig. No. | Ref. No. |
|--------------|----------|----------|
| 129457-49801 | 11 | 25 |
| 129486-01670 | 3 | 18 |
| 129486-42021 | 11 | 14 |
| | 17 | 12 |
| 129486-42140 | 11 | 16 |
| | 17 | 20 |
| 129486-59551 | 13 | 55 |
| 129508-33050 | 10 | 24 |
| 129550-01702 | 3 | 5 |
| 129550-13110 | 6 | 2 |
| | 17 | 9 |
| 129550-59120 | 13 | 30 |
| 129555-01750 | 3 | 10 |
| 129558-01610 | 3 | 2 -1 |
| 129558-33010 | 10 | 23 |
| 129558-35000 | 10 | 7 -1 |
| 129558-35100 | 10 | 8 -1 |
| 129558-49150 | 10 | 27 |
| 129558-49160 | 10 | 29 |
| 129601-11241 | 4 | 25 |
| 129601-11251 | 4 | 29 |
| 129601-11310 | 4 | 47 |
| | 17 | 7 |
| 129601-11350 | 4 | 38 |
| 129601-51250 | 12 | 1 |
| 129601-59810 | 13 | 35 |
| 129601-59820 | 13 | 39 |
| 129601-59830 | 13 | 43 |
| 129601-59840 | 13 | 47 |
| 129602-11700 | 4 | 1 |
| 129602-12100 | 5 | 3 |
| 129657-01600 | 3 | 2 |
| 129657-01730 | 3 | 6 |
| 129657-21001 | 8 | 1 |
| 129657-35090 | 10 | 4 |
| 129657-35110 | 10 | 8 |
| 129657-35200 | 10 | 7 |
| 129657-77340 | 16 | 32 |
| 129795-01780 | 3 | 17 |
| 129795-01800 | 2 | 6 |
| 129795-01900 | 16 | 31 |
| 129795-01950 | 2 | 16 |
| 129795-01960 | 9 | 20 |
| 129795-02411 | 1 | 14 |
| 129795-11120 | 4 | 12 |
| 129795-11180 | 4 | 13 |
| 129795-21661 | 8 | 12 |
| 129795-49551 | 11 | 28 |
| | 17 | 13 |
| 129900-07900 | 4 | 54 |

| Parts No. | Fig. No. | Ref. No. |
|--------------|----------|----------|
| 129900-32130 | 2 | 9 |
| 129930-13200 | 6 | 7 |
| | 17 | 29 |
| 129960-03990 | 10 | 22 |
| 171008-03990 | 10 | 28 |
| 171051-01921 | 1 | 6 |
| 171056-49120 | 11 | 23 |
| 171353-26081 | 7 | 20 |
| | 17 | 31 |
| 171353-44760 | 11 | 38 |
| 22190-080002 | 10 | 18 |
| | | 20 |
| | 17 | 16 |
| 22190-100002 | 10 | 19 |
| | 17 | 24 |
| 22190-160002 | 3 | 9 |
| | 17 | 28 |
| 22252-000260 | 8 | 26 |
| 22351-060012 | 4 | 22 |
| 22512-070140 | 7 | 8 |
| | 8 | 8 |
| | 10 | 10 |
| 22857-500100 | 4 | 48 |
| | | 49 |
| 23414-080000 | 11 | 30 |
| | 17 | 25 |
| 23857-030000 | 10 | 17 |
| 23876-005000 | 9 | 18 |
| 23876-010000 | 11 | 11 |
| 23876-020000 | 11 | 12 |
| 23876-030000 | 2 | 4 |
| | 11 | 13 |
| 23876-040000 | 2 | 5 |
| 24105-060064 | 7 | 27 |
| 24311-000120 | 4 | 53 |
| | 17 | 17 |
| 24311-000140 | 9 | 21 |
| | 17 | 33 |
| 24311-000150 | 12 | 9 |
| | 17 | 27 |
| 24311-000160 | 14 | 15 |
| 24311-000320 | 2 | 23 |
| | 4 | 51 |
| | 17 | 18 |
| 24321-000650 | 14 | 14 |
| 24321-000850 | 7 | 28 |
| | 17 | 32 |
| 24341-000240 | 2 | 29 |
| | 17 | 19 |
| 25152-003600 | 11 | 21 |

| Parts No. | Fig. No. | Ref. No. |
|--------------|----------|----------|
| 26014-080162 | 10 | 5 |
| 26014-080502 | 16 | 33 |
| 26106-060162 | 2 | 30 |
| 26106-060352 | 11 | 39 |
| 26106-080122 | 11 | 24 |
| 26106-080142 | 4 | 55 |
| | 7 | 32 |
| | 9 | 19 |
| 26106-080162 | 2 | 24 |
| | | 25 |
| | 7 | 29 |
| | 11 | 18 |
| | 12 | 2 |
| 26106-080202 | 5 | 6 |
| | 10 | 12 |
| | 12 | 3 |
| 26106-080252 | 3 | 11 |
| | 4 | 36 |
| | 10 | 12 -1 |
| | 11 | 29 |
| 26106-080302 | 14 | 3 |
| 26106-080352 | 4 | 24 |
| | 5 | 10 |
| | 10 | 6 |
| 26106-080402 | 7 | 14 |
| 26106-080452 | 10 | 34 |
| | 11 | 40 |
| 26106-080502 | 3 | 4 |
| | 4 | 37 |
| 26106-080552 | 2 | 26 |
| 26106-080602 | 9 | 22 |
| | 11 | 19 |
| 26106-080652 | 11 | 42 |
| 26106-080802 | 5 | 7 |
| | 9 | 23 |
| 26106-100452 | 7 | 30 |
| 26116-120202 | 15 | 35 -1 |
| 26116-120252 | 15 | 35 |
| 26206-100202 | 3 | 3 |
| 26226-080182 | 4 | 35 |
| 26306-080002 | 2 | 27 |
| | 6 | 6 |
| 26306-100002 | 16 | 30 |
| 26366-060002 | 10 | 21 |
| 26450-080282 | 7 | 31 |
| 27241-120000 | 1 | 12 |
| 27241-300000 | 1 | 13 |
| 27241-400000 | 4 | 9 |
| 27310-080001 | 4 | 14 |
| 729004-53101 | 13 | 1 |

Parts No. Index

| Parts No. | Fig. No. | Ref. No. |
|--------------|----------|----------|
| 729005-01500 | 2 | 1 |
| 729402-14580 | 7 | 3 |
| 729402-23100 | 8 | 27 |
| 729490-28510 | 9 | 5 |
| 729490-28520 | 9 | 10 |
| 729601-92640 | 17 | 1 |
| 729659-01570 | 1 | 1 |
| 729659-51310 | 12 | 10 |
| 977770-01212 | 2 | 31 |
| | 3 | 19 |
| | 4 | 56 |
| | 17 | 36 |
| X0280210230 | 15 | 11 |
| X0283060061 | 15 | 2 |
| X0283270140 | 15 | 12 |
| X9490561001 | 16 | 3 |
| X9490561370 | 15 | 4 |
| X9491200240 | 15 | 5 |
| X9491730461 | 15 | 26 |

| Parts No. | Fig. No. | Ref. No. |
|-----------|----------|----------|
|-----------|----------|----------|

| Parts No. | Fig. No. | Ref. No. |
|-----------|----------|----------|
|-----------|----------|----------|

| Parts No. | Fig. No. | Ref. No. |
|-----------|----------|----------|
|-----------|----------|----------|