

0CD10-M81000EN

# PREFACE

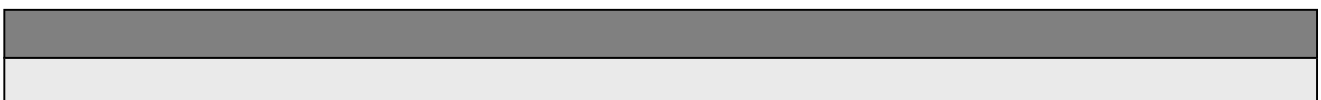
- 1.This parts catalog is the Second edition of 4TNV88-QTB(1) for Takeuchi Mfg. Co., Ltd.
- 2.This parts catalog dose not contains the technical data needed for maintenance service.
- 3.The illustrations used in this parts catalog have been simplified for clarity.

Pub. No.: 000Y00D8100  
Published: January.,2004

#### 4. Model name

| Engine model | Vehicle   |                            | Vehicle made by         |
|--------------|-----------|----------------------------|-------------------------|
|              | Products  | Model name                 |                         |
| 4TNV88-QTB   | EXCAVATOR | TB145 (A9C)<br>CABIN SPEC. | Takeuchi Mfg. Co., Ltd. |
| 4TNV88-QTB1  |           | TB145 (A7)<br>CANOPY SPEC. |                         |

- 5.The contents of this parts catalog are subject to change without prior notice.



## Directions for the Parts Catalog.

1. This Parts Catalog shows both standard and optional parts.
2. Parts may change without prior notice.
3. The following is an example of the Parts Catalog format.

| REF. | LEV. | PARTS NO.  | DESCRIPTION         | Q'TY |     |     |     |     |     | I | R |
|------|------|--|---------------------|------|-----|-----|-----|-----|-----|---|---|
|      |      |  |                     | (A)  | (B) | (C) | (D) | (E) | (F) |   |   |
| 1    | 1    | 729595-51390   | FUEL INJECTION PUMP | 1    | 1   | 1   | 1   | 1   |     |   | 1 |
| 1-1  | 1    | 729595-51391   | FUEL INJECTION PUMP | 1    | 1   | 1   | 1   | 1   |     | N | 1 |
|      |      | (A=E00185) (B=E00200)                                  |                     |      |     |     |     |     |     |   |   |
| 3    | 2    | 26022-060162   | SCREW M 6X 16       | 9    | 9   | 9   | 9   | 9   |     |   |   |
| 3-1  | 2    | 26022-060162   | SCREW M 6X 16       | 4    | 4   | 4   | 4   | 4   |     | K |   |
|      |      | (A=E00156) (B=E00156) (C=E00156) (D=E00156) (E=E00156) |                     |      |     |     |     |     |     |   |   |
| 4    | 2    | 129470-51040   | CAMSHAFT            | 1    | 1   | 1   | 1   | 1   |     |   |   |
| 5    | 2    | 122710-51050   | BEARING, ROLLER     | 2    | 2   | 2   | 2   | 2   |     |   |   |
| 6    | 2    | 129470-51060   | RETAINER            | 1    | 1   | 1   | 1   | 1   |     |   |   |

|   |
|---|
| Remarks   |
| (1) BOOST COMPEMSATOR TYPE. OPTIONAL PART, TO E00155,(4JH-DT, 4JH-DTZ |

### ① Ref. No.

The Ref. No. listed may not be in accordance with the illustration Ref. No.

(Ex.) Illustration No.

List Ref No.

1 1 (Before change) → 1-1 (After change)

For interchangeable symbols N, R and K, illustrations for new parts may be abbreviated.

### ② Lev. (Level)

Level indication

The numbers below indicate the level of relativity towards the main part.

1 ---- Main parts (Assembly parts)

2 ---- Sub component included in " 1 ".

3 ---- Sub component included in " 2 ".

Note) Parts that are not for sale are partially illustrated but not listed.

### ③ Interchangeability Symbol

When a part change takes place, one of the following interchangeability symbols is indicated beside the part.

| Symbol | Interchangeability  | Contents note  |
|--------|---|--|
| N      | Old $\begin{matrix} \leftarrow \text{Yes} \\ \text{No} \rightarrow \end{matrix}$ New  | New Part is interchangeable for Old Part but Old Part is not interchangeable for New Part. |
| Q      | Old $\begin{matrix} \leftarrow \text{No} \\ \text{Yes} \rightarrow \end{matrix}$ New  | New Part is not interchangeable for Old Part but Old Part is interchangeable for New Part. |
| R      | Old $\begin{matrix} \leftarrow \text{Yes} \\ \text{Yes} \rightarrow \end{matrix}$ New | New/ Old Parts are both interchangeable.   |
| S      | Old $\begin{matrix} \leftarrow \text{No} \\ \text{No} \rightarrow \end{matrix}$ New   | New/ Old Parts are both not interchangeable.   |
| W      |   | Part newly added.  |
| Z      |   | Part discontinued.   |
| F      |   | Not interchangeable by a single part but interchangeable together with related parts.      |
| K      |   | Changes only for used parts quantities.  |

### ④ Effective Machine No.

When a part changes, the effective Machine No. will be indicated in the (A)-(F) column.

| Product Symbol | Product No.               | Product Symbol | Product No.                       |
|----------------|---------------------------|----------------|-----------------------------------|
| C              | Clutch No. Compressor No. | F              | Machine No. (Agricultural Equip.) |
| D              | Drive No.                 | M              | Machine No.                       |
| E              | Engine No.                |                |                                   |

Note 1) A date may follow the symbol. (Ex.) 1996.01

Note 2) "XXXXX" and "ZZZZZ" are for parts that could not be predicted or for engine models that could not be identified.

Note 3) (A=E00185) is the E (Engine Serial Number) for the column (A) model (in this case 4JH-DT) after the parts design change.

### ⑤ Remarks

Figures or alphabets (symbols) are entered in the remarks column.

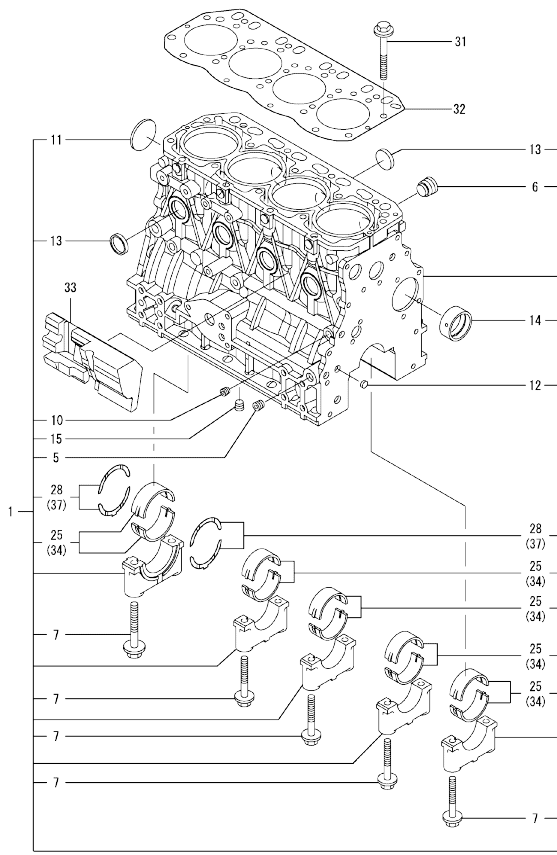
The comments (remarks) on parts that are indicated at the bottom of the illustration are the same symbols as those stated above.

## Contents

0CD10-M81000

| Fig. No.      | Fig. Name                         | Fig. No. | Fig. Name |
|---------------|-----------------------------------|----------|-----------|
| 4TNV88-QTB(1) |                                   |          |           |
| 1.            | CYLINDER BLOCK                    |          |           |
| 2.            | GEAR HOUSING                      |          |           |
| 3.            | FLYWHEEL HOUSING & OIL SUMP       |          |           |
| 4.            | CYLINDER HEAD & BONNET            |          |           |
| 5.            | SUCTION MANIFOLD & AIR CLEANER    |          |           |
| 6.            | EXHAUST MANIFOLD & SILENCER       |          |           |
| 7.            | CAMSHAFT & DRIVING GEAR           |          |           |
| 8.            | CRANKSHAFT & PISTON               |          |           |
| 9.            | LUB. OIL SYSTEM                   |          |           |
| 10.           | COOLING WATER SYSTEM              |          |           |
| 11.           | FUEL INJECTION PUMP               |          |           |
| 12.           | FUEL INJECTION VALVE              |          |           |
| 13.           | FUEL LINE                         |          |           |
| 14.           | STARTING MOTOR                    |          |           |
| 15.           | GENERATOR                         |          |           |
| 16.           | TOOL & GASKET SET                 |          |           |
| 17.           | FUEL INJECTION PUMP (INNER PARTS) |          |           |
| 18.           | GOVERNOR (INNER PARTS)            |          |           |

Fig.1. CYLINDER BLOCK



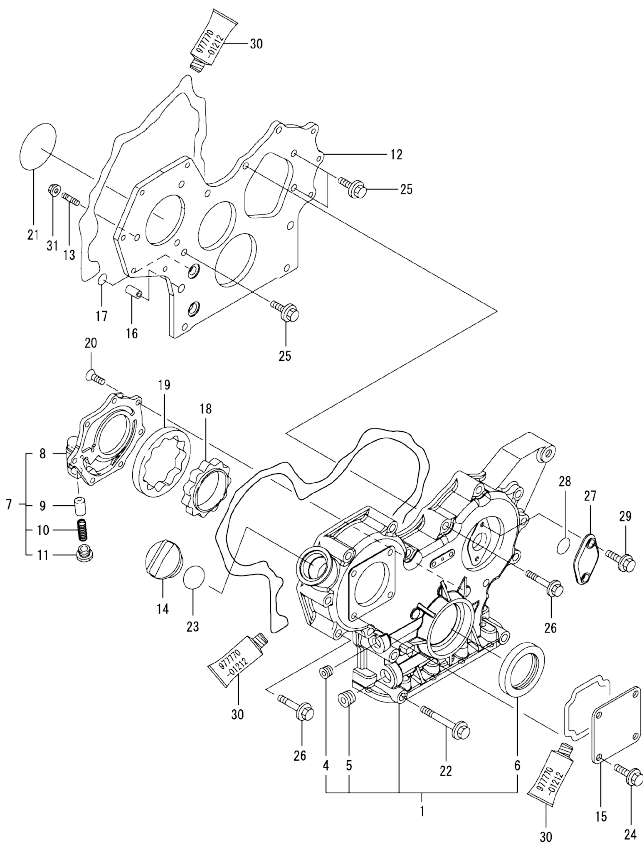
(A)=4TNV88-QTB  
(B)=4TNV88-QTB1  
(C)=

(D)=  
(E)=  
(F)=

| No. | Lev. | Parts No.    | Description          | Q'ty |     |     |     |     |     | I | R |
|-----|------|--------------|----------------------|------|-----|-----|-----|-----|-----|---|---|
|     |      |              |                      | (A)  | (B) | (C) | (D) | (E) | (F) |   |   |
| 1   | 1    | 729602-01560 | BLOCK ASSY, CYLINDER | 1    | 1   |     |     |     |     |   |   |
| 5   | 2    | 124160-01910 | PLUG, PT1/4          | 2    | 2   |     |     |     |     |   |   |
| 6   | 2    | 171051-01921 | PLUG, NPTF1          | 1    | 1   |     |     |     |     |   |   |
| 7   | 2    | 129150-02020 | BOLT, METAL CAP      | 10   | 10  |     |     |     |     |   |   |
| 10  | 2    | 124060-01050 | PLUG, PT1/8          | 1    | 1   |     |     |     |     |   |   |
| 11  | 2    | 129001-01250 | PLUG, 50             | 1    | 1   |     |     |     |     |   |   |
| 12  | 2    | 27241-120000 | PLUG, 12             | 2    | 2   |     |     |     |     |   |   |
| 13  | 2    | 27241-300000 | PLUG 30              | 8    | 8   |     |     |     |     |   |   |
| 14  | 2    | 129795-02411 | BUSH, CAMSHAFT       | 1    | 1   |     |     |     |     |   |   |
| 15  | 2    | 124160-01910 | PLUG, PT1/4          | 1    | 1   |     |     |     |     |   |   |
| 25  | 2    | 129001-02930 | BEARING, MAIN        | 5    | 5   |     |     |     |     |   | 3 |
| 28  | 2    | 129150-02930 | BEARING, THRUST      | 2    | 2   |     |     |     |     |   |   |
| 31  | 1    | 129150-01200 | BOLT, HEAD           | 18   | 18  |     |     |     |     |   |   |
| 32  | 1    | 129407-01340 | GASKET, HEAD         | 1    | 1   |     |     |     |     |   |   |
| 33  | 1    | 129004-01190 | SPACER               | 1    | 1   |     |     |     |     |   |   |
| 34  | 1    | 129150-02870 | BEARING, 0.25 US     | 5    | 5   |     |     |     |     |   | 1 |
| 37  | 1    | 129150-02940 | BEARING, THRUST 0.25 | 1    | 1   |     |     |     |     |   | 2 |

Remarks  
(1) UNDER-SIZE(U.S=0.25)PART.  
(2) OVER-SIZE(O.S=0.25)PART.  
(3) REPAIR PART.

Fig.2. GEAR HOUSING



(A)=4TNV88-QTB  
(B)=4TNV88-QTB1  
(C)=

(D)=  
(E)=  
(F)=

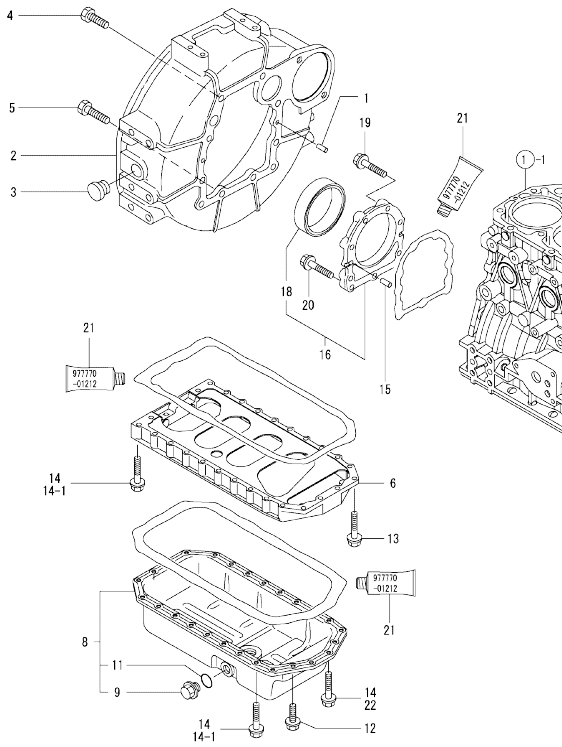
| No. | Lev. | Parts No.    | Description         | Q'ty |     |     |     |     |     | I | R |
|-----|------|--------------|---------------------|------|-----|-----|-----|-----|-----|---|---|
|     |      |              |                     | (A)  | (B) | (C) | (D) | (E) | (F) |   |   |
| 1   | 1    | 729233-01500 | CASE ASSY, GEAR     | 1    | 1   |     |     |     |     |   |   |
| 4   | 2    | 23876-030000 | PLUG, R03           | 1    | 1   |     |     |     |     |   |   |
| 5   | 2    | 23876-040000 | PLUG, R04           | 1    | 1   |     |     |     |     |   |   |
| 6   | 2    | 119934-01800 | SEAL, OIL           | 1    | 1   |     |     |     |     |   |   |
| 7   | 1    | 119802-32100 | COVER ASSY          | 1    | 1   |     |     |     |     |   |   |
| 8   | 2    | 119802-32070 | COVER               | 1    | 1   |     |     |     |     |   |   |
| 9   | 2    | 129900-32130 | VALVE, RELIEF       | 1    | 1   |     |     |     |     |   |   |
| 10  | 2    | 129418-32320 | SPRING              | 1    | 1   |     |     |     |     |   |   |
| 11  | 2    | 129001-32330 | PLUG                | 1    | 1   |     |     |     |     |   |   |
| 12  | 1    | 119802-01520 | FLANGE, GEAR CASE   | 1    | 1   |     |     |     |     |   |   |
| 13  | 1    | 119802-01560 | STUD, M8X25         | 3    | 3   |     |     |     |     |   |   |
| 14  | 1    | 124160-01751 | COVER, FILLER       | 1    | 1   |     |     |     |     |   |   |
| 15  | 1    | 124240-01871 | COVER               | 1    | 1   |     |     |     |     |   |   |
| 16  | 1    | 129795-01950 | PIPE, KNOCK L=18    | 2    | 2   |     |     |     |     |   |   |
| 17  | 1    | 119609-32040 | O-RING, P16         | 4    | 4   |     |     |     |     |   |   |
| 18  | 1    | 119802-32111 | ROTOR, INNER        | 1    | 1   |     |     |     |     |   |   |
| 19  | 1    | 119802-32120 | ROTOR, OUTER        | 1    | 1   |     |     |     |     |   |   |
| 20  | 1    | 119802-32130 | SCREW, M6X16        | 7    | 7   |     |     |     |     |   |   |
| 21  | 1    | 121850-51960 | O-RING              | 1    | 1   |     |     |     |     |   |   |
| 22  | 1    | 129001-91841 | BOLT, M8X85         | 3    | 3   |     |     |     |     |   |   |
| 23  | 1    | 24311-000320 | O-RING, 1AP32.0     | 1    | 1   |     |     |     |     |   |   |
| 24  | 1    | 26106-080162 | BOLT, M8X 16 PLATED | 4    | 4   |     |     |     |     |   |   |
| 25  | 1    | 26106-080162 | BOLT, M8X 16 PLATED | 3    | 3   |     |     |     |     |   |   |
| 26  | 1    | 26106-080552 | BOLT, M8X 55 PLATED | 12   | 12  |     |     |     |     |   |   |
| 27  | 1    | 121023-01550 | COVER               | 1    | 1   |     |     |     |     |   |   |
| 28  | 1    | 24341-000240 | O-RING, 1AS24.0     | 1    | 1   |     |     |     |     |   |   |
| 29  | 1    | 26106-060162 | BOLT, M6X 16 PLATED | 2    | 2   |     |     |     |     |   |   |
| 30  | 1    | 977770-01212 | GASKET, LIQUID      | 1    | 1   |     |     |     |     |   | 1 |
| 31  | 1    | 26306-080002 | NUT, M8             | 3    | 3   |     |     |     |     |   |   |

Remarks  
(1) OPTIONAL PART.

Fig.3. FLYWHEEL HOUSING & OIL SUMP

(A)=4TNV88-QTB  
(B)=4TNV88-QTB1  
(C)=

(D)=  
(E)=  
(F)=

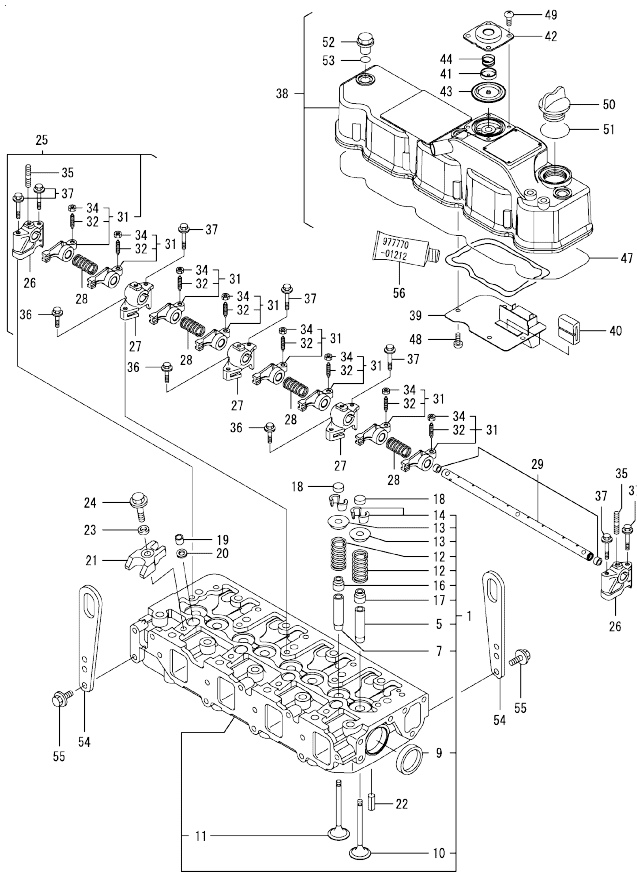


| No.  | Lev. | Parts No.                                | Description          | Q'ty |     |     |     |     |     | I | R |
|------|------|--|----------------------|------|-----|-----|-----|-----|-----|---|---|
|      |      |  |                      | (A)  | (B) | (C) | (D) | (E) | (F) |   |   |
| 1    | 1    | 129100-01580                             | PIN, M8X16           | 2    | 2   |     |     |     |     |   |   |
| 2    | 1    | 129612-01600                             | HOUSING, FLYWHEEL    | 1    | 1   |     |     |     |     |   |   |
| 3    | 1    | 119620-01750                             | CAP                  | 1    | 1   |     |     |     |     |   |   |
| 4    | 1    | 26206-100252                             | BOLT, M10X 25 PLATED | 6    | 6   |     |     |     |     |   |   |
| 5    | 1    | 26206-100302                             | BOLT, M10X 30 PLATED | 4    | 4   |     |     |     |     |   |   |
| 6    | 1    | 129400-01730                             | SPACER, OIL SUMP     | 1    | 1   |     |     |     |     |   |   |
| 8    | 1    | 129400-01770                             | SUMP ASSY, OIL       | 1    | 1   |     |     |     |     |   |   |
| 8-1  | 1    | 129688-01780<br>(A=EM8750) (B=REF. TO R) | OIL PAN ASSY, DEEP   | 1    | 1   |     |     |     |     | N | 2 |
| 9    | 2    | 171301-01640                             | PLUG, 22             | 1    | 1   |     |     |     |     |   |   |
| 11   | 2    | 24341-000250                             | O-RING, 1AS25.0      | 1    | 1   |     |     |     |     |   |   |
| 12   | 1    | 26106-080162                             | BOLT, M8X 16 PLATED  | 4    | 4   |     |     |     |     |   |   |
| 13   | 1    | 26106-080252                             | BOLT, M8X 25 PLATED  | 2    | 2   |     |     |     |     |   |   |
| 14   | 1    | 26106-080452                             | BOLT, M8X 45 PLATED  | 24   | 24  |     |     |     |     |   |   |
| 14-1 | 1    | 26106-080452                             | BOLT, M8X 45 PLATED  | 20   | 20  |     |     |     |     |   | K |
|      |      | (A=FROM 1ST) (B=FROM 1ST)                |                      |      |     |     |     |     |     |   |   |
| 15   | 1    | 129100-01580                             | PIN, M8X16           | 2    | 2   |     |     |     |     |   |   |
| 16   | 1    | 129190-01640                             | CASE ASSY, OIL SEAL  | 1    | 1   |     |     |     |     |   |   |
| 18   | 2    | 129795-01780                             | SEAL, OIL            | 1    | 1   |     |     |     |     |   |   |
| 19   | 1    | 129486-01670                             | BOLT, M8X30          | 6    | 6   |     |     |     |     |   |   |
| 20   | 1    | 26106-080352                             | BOLT, M8X 35 PLATED  | 3    | 3   |     |     |     |     |   |   |
| 21   | 1    | 977770-01212                             | GASKET, LIQUID       | 1    | 1   |     |     |     |     |   | 1 |
| 22   | 1    | 26106-080502                             | BOLT, M8X 50 PLATED  | 4    | 4   |     |     |     |     |   | W |
|      |      | (A=FROM 1ST) (B=FROM 1ST)                |                      |      |     |     |     |     |     |   |   |

Remarks

- (1)Optional parts.
- (2)For repair.

Fig.4. CYLINDER HEAD & BONNET



(A)=4TNV88-QTB  
(B)=4TNV88-QTB1  
(C)=

(D)=  
(E)=  
(F)=

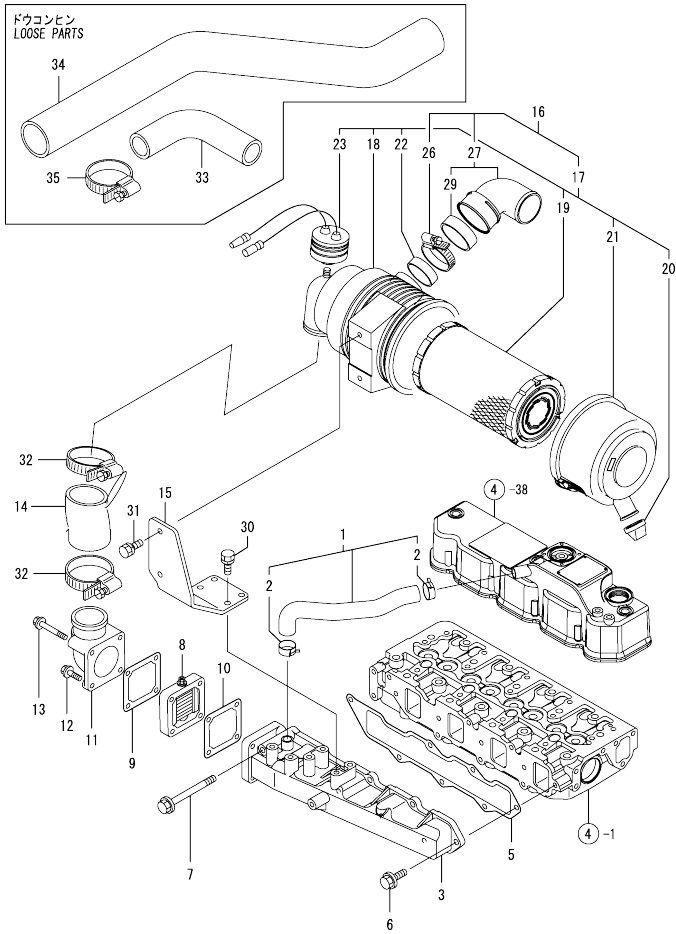
| No. | Lev. | Parts No.    | Description         | Q'ty |     |     |     |     |     | I | R |
|-----|------|--------------|---------------------|------|-----|-----|-----|-----|-----|---|---|
|     |      |              |                     | (A)  | (B) | (C) | (D) | (E) | (F) |   |   |
| 1   | 1    | 129601-11700 | HEAD ASSY, CYLINDER | 1    | 1   |     |     |     |     |   |   |
| 5   | 2    | 120130-11860 | GUIDE, VALVE        | 4    | 4   |     |     |     |     |   | 1 |
| 7   | 2    | 129150-11810 | GUIDE, VALVE        | 4    | 4   |     |     |     |     |   | 1 |
| 9   | 2    | 27241-400000 | PLUG, 40            | 2    | 2   |     |     |     |     |   |   |
| 10  | 2    | 129004-11100 | VALVE, INTAKE       | 4    | 4   |     |     |     |     |   |   |
| 11  | 2    | 129100-11110 | VALVE, EXHAUST      | 4    | 4   |     |     |     |     |   |   |
| 12  | 2    | 129795-11120 | SPRING, VALVE       | 8    | 8   |     |     |     |     |   |   |
| 13  | 2    | 129795-11180 | RETAINER, SPRING    | 8    | 8   |     |     |     |     |   |   |
| 14  | 2    | 27310-080001 | COTTER, 8           | 8    | 8   |     |     |     |     |   |   |
| 16  | 2    | 121400-11340 | SEAL, VALVE STEM    | 4    | 4   |     |     |     |     |   |   |
| 17  | 2    | 124460-11340 | SEAL, VALVE STEM    | 4    | 4   |     |     |     |     |   |   |
| 18  | 1    | 129150-11370 | CAP, VALVE          | 8    | 8   |     |     |     |     |   |   |
| 19  | 1    | 119802-11870 | PROTECTOR, NOZZLE   | 4    | 4   |     |     |     |     |   |   |
| 20  | 1    | 119625-11880 | SEAT, NOZZLE        | 4    | 4   |     |     |     |     |   |   |
| 21  | 1    | 129004-11900 | RETAINER, NOZZLE    | 4    | 4   |     |     |     |     |   |   |
| 22  | 1    | 22351-060012 | PIN, SPRING 6.0X12  | 2    | 2   |     |     |     |     |   |   |
| 23  | 1    | 120270-54410 | WASHER, INJECTOR    | 4    | 4   |     |     |     |     |   |   |
| 24  | 1    | 26106-080352 | BOLT, M8X 35 PLATED | 4    | 4   |     |     |     |     |   |   |
| 25  | 1    | 129601-11241 | SHAFT ASSY, ROCKER  | 1    | 1   |     |     |     |     |   |   |
| 26  | 2    | 119802-11260 | SUPPORT, ROCKER ARM | 2    | 2   |     |     |     |     |   |   |
| 27  | 2    | 119802-11270 | SUPPORT, ROCKER ARM | 3    | 3   |     |     |     |     |   |   |
| 28  | 2    | 129150-11280 | SPRING              | 4    | 4   |     |     |     |     |   |   |
| 29  | 2    | 129601-11251 | SHAFT, ROCKER ARM   | 1    | 1   |     |     |     |     |   |   |
| 31  | 2    | 129004-11650 | ARM, ROCKER         | 8    | 8   |     |     |     |     |   |   |
| 32  | 3    | 129150-11230 | SCREW, VALVE ADJUST | 8    | 8   |     |     |     |     |   |   |
| 34  | 3    | 129150-11750 | NUT, M8             | 8    | 8   |     |     |     |     |   |   |
| 35  | 2    | 26226-080182 | STUD, M8X 18        | 3    | 3   |     |     |     |     |   |   |
| 36  | 1    | 26106-080252 | BOLT, M8X 25 PLATED | 3    | 3   |     |     |     |     |   |   |
| 37  | 1    | 26106-080502 | BOLT, M8X 50 PLATED | 7    | 7   |     |     |     |     |   |   |
| 38  | 1    | 129601-11350 | BONNET ASSY, HEAD   | 1    | 1   |     |     |     |     |   |   |
| 39  | 2    | 129004-03010 | PLATE               | 1    | 1   |     |     |     |     |   |   |
| 40  | 2    | 129150-03070 | BAFFLE, BREATHER    | 1    | 1   |     |     |     |     |   |   |
| 41  | 2    | 119802-03110 | PLATE               | 1    | 1   |     |     |     |     |   |   |
| 42  | 2    | 119802-03120 | COVER, DIAPHRAGM    | 1    | 1   |     |     |     |     |   |   |
| 43  | 2    | 119802-03130 | DIAPHRAGM           | 1    | 1   |     |     |     |     |   |   |
| 44  | 2    | 119802-03140 | SPRING, DIAPHRAGM   | 1    | 1   |     |     |     |     |   |   |
| 47  | 2    | 129601-11310 | GASKET, BONNET      | 1    | 1   |     |     |     |     |   |   |
| 48  | 2    | 22857-500100 | SCREW, 5X10         | 4    | 4   |     |     |     |     |   |   |
| 49  | 2    | 22857-500100 | SCREW, 5X10         | 4    | 4   |     |     |     |     |   |   |
| 50  | 1    | 124160-01751 | COVER, FILLER       | 1    | 1   |     |     |     |     |   |   |
| 51  | 1    | 24311-000320 | O-RING, 1AP32.0     | 1    | 1   |     |     |     |     |   |   |
| 52  | 1    | 124160-11360 | KNOB                | 3    | 3   |     |     |     |     |   |   |
| 53  | 1    | 24311-000120 | O-RING, 1AP12.0     | 3    | 3   |     |     |     |     |   |   |
| 54  | 1    | 129900-07900 | LIFTER              | 2    | 2   |     |     |     |     |   |   |
| 55  | 1    | 26106-080142 | BOLT, M8X 14 PLATED | 4    | 4   |     |     |     |     |   |   |
| 56  | 1    | 97770-01212  | GASKET, LIQUID      | 1    | 1   |     |     |     |     |   | 2 |

Remarks

- (1) REPAIR PART.
- (2) OPTIONAL PART.

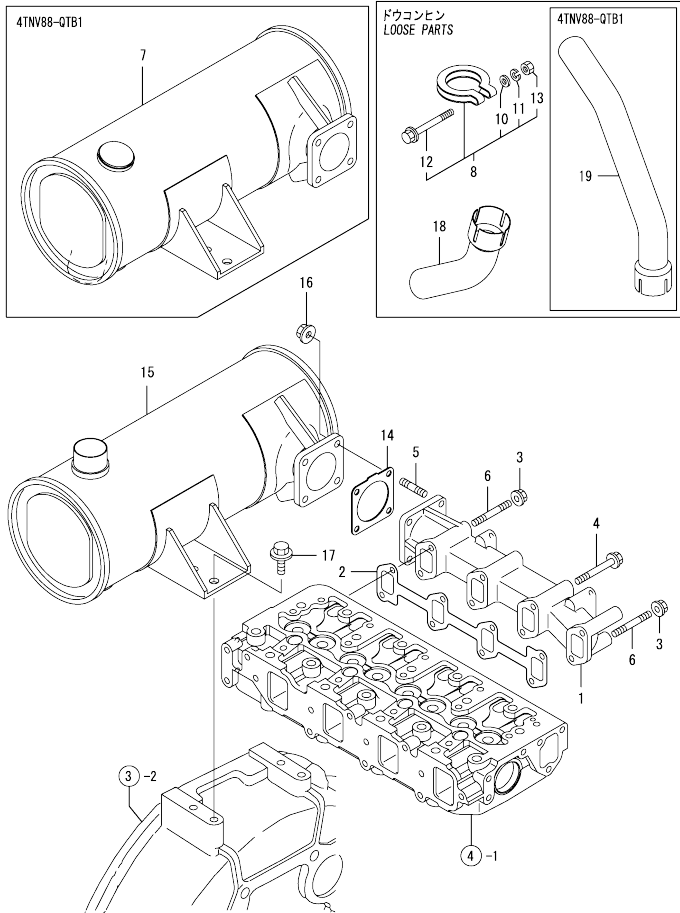


Fig.5. SUCTION MANIFOLD & AIR CLEANER



| No. | Lev. | Parts No.             | Description          | Q'ty |     |     |     |     |     | I | R |
|-----|------|-----------------------|----------------------|------|-----|-----|-----|-----|-----|---|---|
|     |      |                       |                      | (A)  | (B) | (C) | (D) | (E) | (F) |   |   |
| 1   | 1    | 129601-03080          | PIPE, BREATHER       | 1    | 1   |     |     |     |     |   |   |
| 2   | 2    | 129410-03990          | CLAMP 22             | 2    | 2   |     |     |     |     |   |   |
| 3   | 1    | 129601-12100          | MANIFOLD, AIR INTAKE | 1    | 1   |     |     |     |     |   |   |
| 5   | 1    | 129407-12110          | GASKET, MANIFOLD     | 1    | 1   |     |     |     |     |   |   |
| 6   | 1    | 26106-080202          | BOLT, M8X 20 PLATED  | 6    | 6   |     |     |     |     |   |   |
| 7   | 1    | 26106-080802          | BOLT, M8X 80 PLATED  | 1    | 1   |     |     |     |     |   |   |
| 8   | 1    | 129100-77500          | HEATER, AIR 12V      | 1    | 1   |     |     |     |     |   |   |
| 9   | 1    | 129100-77510          | GASKET, AIR HEATER   | 1    | 1   |     |     |     |     |   |   |
| 10  | 1    | 129150-77511          | GASKET               | 1    | 1   |     |     |     |     |   |   |
| 11  | 1    | 171340-77520          | BEND                 | 1    | 1   |     |     |     |     |   |   |
| 12  | 1    | 26106-080402          | BOLT, M8X 40 PLATED  | 2    | 2   |     |     |     |     |   |   |
| 13  | 1    | 26106-080802          | BOLT, M8X 80 PLATED  | 2    | 2   |     |     |     |     |   |   |
| 14  | 1    | 119910-12210          | PIPE, AIR INTAKE     | 1    | 1   |     |     |     |     |   |   |
| 15  | 1    | 119802-12560          | BRACKET, AIR CLEANER | 1    | 1   |     |     |     |     |   |   |
| 16  | 1    | 129612-12681          | CLEANER ASSY, AIR    | 1    | 1   |     |     |     |     |   |   |
| 17  | 2    | 129612-12691          | CLEANER ASSY, AIR    | 1    | 1   |     |     |     |     |   |   |
| 18  | 3    | 119910-12510          | BODY, AIR CLEANER    | 1    | 1   |     |     |     |     |   |   |
| 19  | 3    | 119808-12520          | ELEMENT              | 1    | 1   |     |     |     |     |   |   |
| 20  | 3    | 119808-12540          | VALVE, UNLOADER      | 1    | 1   |     |     |     |     |   |   |
| 21  | 3    | 119866-12541          | COVER ASSY           | 1    | 1   |     |     |     |     |   |   |
| 22  | 3    | 129259-12570          | RING                 | 1    | 1   |     |     |     |     |   |   |
| 23  | 3    | 129953-12620          | INDICATOR ASSY       | 1    | 1   |     |     |     |     |   |   |
| 26  | 2    | 23000-060000          | CLAMP, 60            | 1    | 1   |     |     |     |     |   |   |
| 27  | 2    | 129612-12560          | ELBOW                | 1    | 1   |     |     |     |     |   |   |
| 29  | 3    | 129612-12590          | GASKET               | 1    | 1   |     |     |     |     |   |   |
| 30  | 1    | 26013-080222          | BOLT, M8X 22         | 4    | 4   |     |     |     |     |   |   |
| 31  | 1    | 26013-080222          | BOLT, M8X 22         | 2    | 2   |     |     |     |     |   |   |
| 32  | 1    | 23000-060000          | CLAMP, 60            | 2    | 2   |     |     |     |     |   |   |
| 33  | 1    | 129642-12210          | PIPE, AIR INTAKE     | 1    | 1   |     |     |     |     |   | Z |
|     |      | (A=EZZZZZ) (B=EZZZZZ) |                      |      |     |     |     |     |     |   |   |
| 34  | 1    | 129642-12240          | PIPE, AIR INTAKE     | 1    | 1   |     |     |     |     |   | Z |
|     |      | (A=EZZZZZ) (B=EZZZZZ) |                      |      |     |     |     |     |     |   |   |
| 35  | 1    | 23000-060000          | CLAMP, 60            | 2    | 2   |     |     |     |     |   |   |

Fig.6. EXHAUST MANIFOLD & SILENCER



(A)=4TNV88-QTB  
(B)=4TNV88-QTB1  
(C)=

(D)=  
(E)=  
(F)=

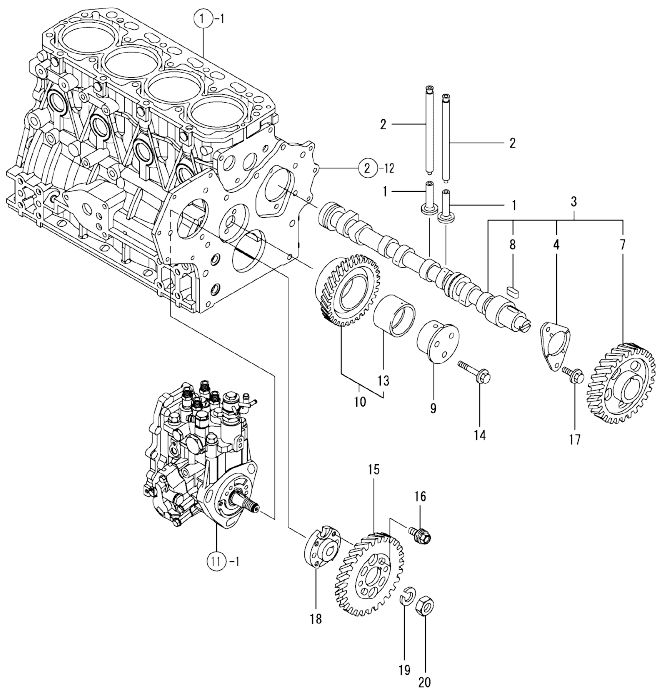
| No. | Lev. | Parts No.    | Description          | Q'ty |     |     |     |     |     |   |
|-----|------|--------------|----------------------|------|-----|-----|-----|-----|-----|---|
|     |      |              |                      | (A)  | (B) | (C) | (D) | (E) | (F) |   |
| 1   | 1    | 129640-13109 | MANIFOLD, EXHAUST    | 1    | 1   |     |     |     |     |   |
| 2   | 1    | 129550-13110 | GASKET               | 1    | 1   |     |     |     |     |   |
| 3   | 1    | 26306-080002 | NUT, M8              | 2    | 2   |     |     |     |     |   |
| 4   | 1    | 123900-13630 | BOLT, M8X80          | 6    | 6   |     |     |     |     |   |
| 5   | 1    | 119131-18320 | STUD, M8X22          | 4    | 4   |     |     |     |     |   |
| 6   | 1    | 123900-13610 | STUD, M8X80          | 2    | 2   |     |     |     |     |   |
| 7   | 1    | 129642-13530 | SILENCER             |      |     |     |     |     |     | 1 |
| 8   | 1    | 129642-13590 | CLAMP ASSY           | 1    | 1   |     |     |     |     |   |
| 10  | 2    | 22117-100000 | WASHER, 10           | 1    | 1   |     |     |     |     |   |
| 11  | 2    | 22217-100000 | WASHER, SPRING 10    | 1    | 1   |     |     |     |     |   |
| 12  | 2    | 26106-100652 | BOLT, M10X 65 PLATED | 1    | 1   |     |     |     |     |   |
| 13  | 2    | 26706-100002 | NUT, M10             | 1    | 1   |     |     |     |     |   |
| 14  | 1    | 129930-13200 | GASKET, SILENCER     | 1    | 1   |     |     |     |     |   |
| 15  | 1    | 129642-13520 | SILENCER             | 1    |     |     |     |     |     |   |
| 16  | 1    | 26306-080002 | NUT, M8              | 4    | 4   |     |     |     |     |   |
| 17  | 1    | 26106-100202 | BOLT, M10X 20 PLATED | 2    | 2   |     |     |     |     |   |
| 18  | 1    | 129642-13650 | PIPE                 | 1    |     |     |     |     |     |   |
| 19  | 1    | 129642-13660 | PIPE                 |      | 1   |     |     |     |     |   |

Fig.7. CAMSHAFT & DRIVING GEAR

(A)=4TNV88-QTB  
 (B)=4TNV88-QTB1  
 (C)=

(D)=  
 (E)=  
 (F)=

| No. | Lev. | Parts No.    | Description         | Q'ty |     |     |     |     |     | I | R |   |
|-----|------|--------------|---------------------|------|-----|-----|-----|-----|-----|---|---|---|
|     |      |              |                     | (A)  | (B) | (C) | (D) | (E) | (F) |   |   |   |
| 1   | 1    | 129150-14200 | TAPPET              |      | 8   | 8   |     |     |     |   |   |   |
| 2   | 1    | 129150-14400 | ROD, PUSH L=178     |      | 8   | 8   |     |     |     |   |   |   |
| 3   | 1    | 729402-14580 | CAMSHAFT ASSY       |      | 1   | 1   |     |     |     |   |   |   |
| 4   | 2    | 129150-02450 | BEARING, THRUST     |      | 1   | 1   |     |     |     |   |   |   |
| 7   | 2    | 129150-14101 | GEAR, CAMSHAFT      |      | 1   | 1   |     |     |     |   |   |   |
| 8   | 2    | 22512-070140 | KEY, 7X 14          |      | 1   | 1   |     |     |     |   |   |   |
| 9   | 1    | 119802-25051 | SHAFT, IDLE         |      | 1   | 1   |     |     |     |   |   |   |
| 10  | 1    | 119802-25100 | GEAR ASSY, IDLE     |      | 1   | 1   |     |     |     |   |   |   |
| 13  | 2    | 119802-25070 | BUSH, IDLE GEAR     |      | 1   | 1   |     |     |     |   |   | 1 |
| 14  | 1    | 26106-080402 | BOLT, M8X 40 PLATED |      | 3   | 3   |     |     |     |   |   |   |
| 15  | 1    | 119802-25901 | GEAR, PUMP          |      | 1   | 1   |     |     |     |   |   |   |
| 16  | 1    | 129150-25301 | BOLT                |      | 4   | 4   |     |     |     |   |   |   |
| 17  | 1    | 26106-080142 | BOLT, M8X 14 PLATED |      | 2   | 2   |     |     |     |   |   |   |
| 18  | 1    | 158552-51151 | FLANGE              |      | 1   | 1   |     |     |     |   |   |   |
| 19  | 1    | 22217-140000 | WASHER, SPRING 14   |      | 1   | 1   |     |     |     |   |   |   |
| 20  | 1    | 26776-140002 | NUT, LOCK M14       |      | 1   | 1   |     |     |     |   |   |   |

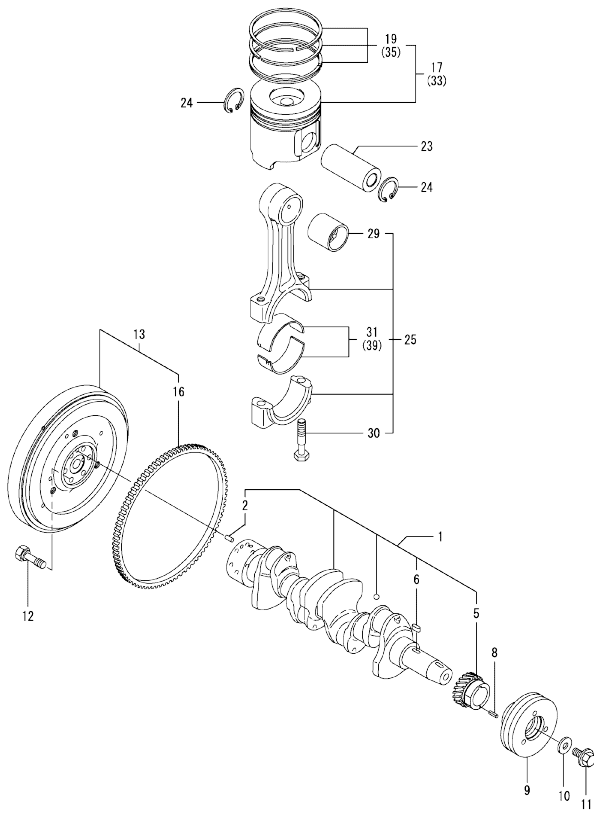


Remarks  
 (1) REPAIR PART.

Fig.8. CRANKSHAFT & PISTON

(A)=4TNV88-QTB  
(B)=4TNV88-QTB1  
(C)=

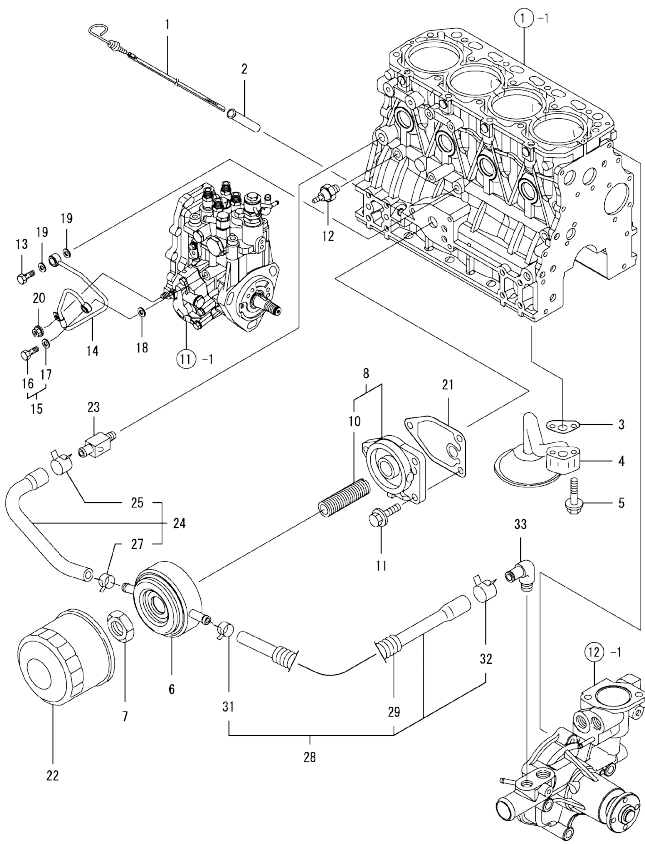
(D)=  
(E)=  
(F)=



| No. | Lev. | Parts No.    | Description          | Q'ty |     |     |     |     |     |   |
|-----|------|--------------|----------------------|------|-----|-----|-----|-----|-----|---|
|     |      |              |                      | (A)  | (B) | (C) | (D) | (E) | (F) |   |
| 1   | 1    | 129601-21001 | CRANKSHAFT ASSY      | 1    | 1   |     |     |     |     |   |
| 2   | 2    | 129100-01580 | PIN, M8X16           | 1    | 1   |     |     |     |     |   |
| 5   | 2    | 119802-21201 | GEAR, CRANKSHAFT     | 1    | 1   |     |     |     |     |   |
| 6   | 2    | 22512-070140 | KEY, 7X 14           | 1    | 1   |     |     |     |     |   |
| 8   | 1    | 22351-030010 | PIN, SPRING 3.0X10   | 1    | 1   |     |     |     |     |   |
| 9   | 1    | 119802-21650 | V-PULLEY, 110        | 1    | 1   |     |     |     |     |   |
| 10  | 1    | 129795-21661 | WASHER               | 1    | 1   |     |     |     |     |   |
| 11  | 1    | 121850-21680 | BOLT                 | 1    | 1   |     |     |     |     |   |
| 12  | 1    | 121111-21501 | BOLT, FLYWHEEL       | 6    | 6   |     |     |     |     |   |
| 13  | 1    | 129642-21590 | FLYWHEEL ASSY        | 1    | 1   |     |     |     |     |   |
| 16  | 2    | 119865-21600 | GEAR, RING           | 1    | 1   |     |     |     |     |   |
| 17  | 1    | 129005-22080 | PISTON ASSY          | 4    | 4   |     |     |     |     |   |
| 19  | 2    | 129005-22500 | RING SET, PISTON     | 4    | 4   |     |     |     |     |   |
| 23  | 1    | 129202-22300 | PIN, PISTON D26 L70  | 4    | 4   |     |     |     |     |   |
| 24  | 1    | 22252-000260 | RING, 26             | 8    | 8   |     |     |     |     |   |
| 25  | 1    | 729402-23100 | ROD ASSY, CONNECTING | 4    | 4   |     |     |     |     |   |
| 29  | 2    | 129100-23910 | BEARING, PISTON PIN  | 4    | 4   |     |     |     |     | 1 |
| 30  | 2    | 121550-23200 | BOLT, CONNECTING ROD | 8    | 8   |     |     |     |     |   |
| 31  | 2    | 129150-23600 | BEARING, CRANK PIN   | 4    | 4   |     |     |     |     |   |
| 33  | 1    | 129005-22900 | PISTON ASSY, 0.25 OS | 4    | 4   |     |     |     |     | 2 |
| 35  | 2    | 129005-22950 | RING SET, 0.25 OS    | 4    | 4   |     |     |     |     | 2 |
| 39  | 1    | 129150-23610 | BEARING, 0.25 US     | 4    | 4   |     |     |     |     | 3 |

Remarks  
(1) REPAIR PART.  
(2) OVER-SIZE(O.S=0.25)PART.  
(3) UNDER-SIZE(U.S=0.25)PART.

Fig.9. LUB. OIL SYSTEM



(A)=4TNV88-QTB  
(B)=4TNV88-QTB1  
(C)=

(D)=  
(E)=  
(F)=

| No. | Lev. | Parts No.    | Description          | Qty |     |     |     |     |     | I | R |
|-----|------|--------------|----------------------|-----|-----|-----|-----|-----|-----|---|---|
|     |      |              |                      | (A) | (B) | (C) | (D) | (E) | (F) |   |   |
| 1   | 1    | 129004-34801 | DIPSTICK, OIL        | 1   | 1   |     |     |     |     |   |   |
| 2   | 1    | 121520-34810 | GUIDE, DIPSTICK      | 1   | 1   |     |     |     |     |   |   |
| 3   | 1    | 129150-35041 | GASKET               | 1   | 1   |     |     |     |     |   |   |
| 4   | 1    | 129436-35091 | PIPE ASSY, OIL INLET | 1   | 1   |     |     |     |     |   |   |
| 5   | 1    | 26106-080352 | BOLT, M8X 35 PLATED  | 2   | 2   |     |     |     |     |   |   |
| 6   | 1    | 129508-33010 | COOLER ASSY, OIL     | 1   | 1   |     |     |     |     |   |   |
| 7   | 1    | 129417-33110 | NUT                  | 1   | 1   |     |     |     |     |   |   |
| 8   | 1    | 129006-35100 | BRACKET ASSY, FILTER | 1   | 1   |     |     |     |     |   |   |
| 10  | 2    | 129417-35150 | STUD, L=67           | 1   | 1   |     |     |     |     |   |   |
| 11  | 1    | 26106-080202 | BOLT, M8X 20 PLATED  | 3   | 3   |     |     |     |     |   |   |
| 12  | 1    | 114250-39450 | SWITCH, 0.5KG        | 1   | 1   |     |     |     |     |   |   |
| 13  | 1    | 124160-39140 | BOLT, PIPE JOINT M10 | 1   | 1   |     |     |     |     |   |   |
| 14  | 1    | 119802-39450 | PIPE ASSY, OIL       | 1   | 1   |     |     |     |     |   |   |
| 15  | 1    | 129005-59830 | BOLT ASSY, JOINT M8  | 1   | 1   |     |     |     |     |   |   |
| 16  | 2    | 23857-030000 | BOLT, JOINT 3        | 1   | 1   |     |     |     |     |   |   |
| 17  | 2    | 22190-080002 | WASHER, SEAL 6       | 1   | 1   |     |     |     |     |   |   |
| 18  | 1    | 22190-080002 | WASHER, SEAL 6       | 1   | 1   |     |     |     |     |   |   |
| 19  | 1    | 22190-100002 | WASHER, SEAL 10      | 2   | 2   |     |     |     |     |   |   |
| 20  | 1    | 26366-060002 | NUT, M6              | 1   | 1   |     |     |     |     |   |   |
| 21  | 1    | 129150-35111 | GASKET               | 1   | 1   |     |     |     |     |   |   |
| 22  | 1    | 129150-35153 | FILTER 80X80L        | 1   | 1   |     |     |     |     |   | 1 |
| 23  | 1    | 129006-44480 | JOINT                | 1   | 1   |     |     |     |     |   |   |
| 24  | 1    | 129508-49030 | PIPE ASSY, WATER     | 1   | 1   |     |     |     |     |   |   |
| 25  | 2    | 171008-03990 | CLIP, HOSE 18.5      | 1   | 1   |     |     |     |     |   |   |
| 27  | 2    | 23080-015000 | CLAMP, 15            | 1   | 1   |     |     |     |     |   |   |
| 28  | 1    | 129508-49040 | PIPE ASSY, WATER     | 1   | 1   |     |     |     |     |   |   |
| 29  | 2    | 119940-59130 | TUBE, CORRUGATED     | 1   | 1   |     |     |     |     |   |   |
| 31  | 2    | 23080-015000 | CLAMP, 15            | 1   | 1   |     |     |     |     |   |   |
| 32  | 2    | 23080-018000 | CLAMP, 18            | 1   | 1   |     |     |     |     |   |   |
| 33  | 1    | 129103-49301 | ELBOW, PT1/4         | 1   | 1   |     |     |     |     |   |   |

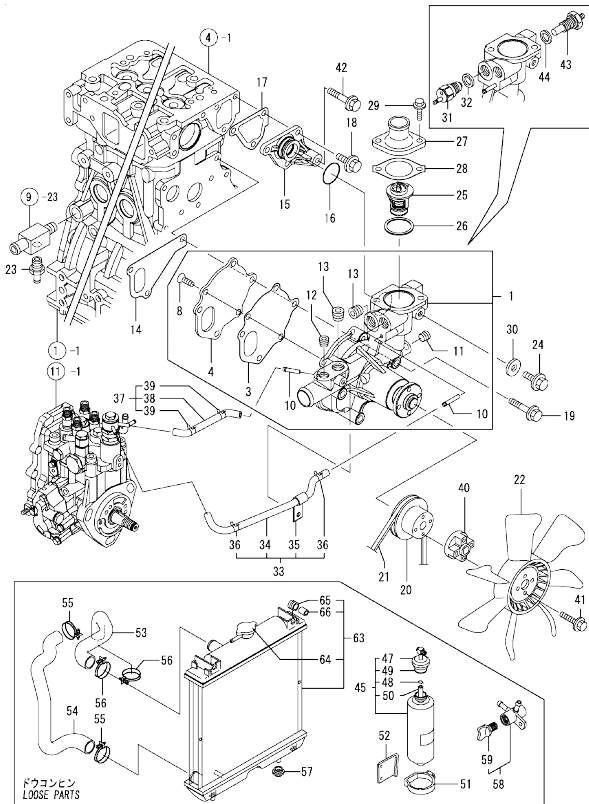
Remarks  
(1) REPAIR PART.

N:Old  $\frac{100}{100}$  New, Q:Old  $\frac{100}{100}$  New, R:Old  $\frac{100}{100}$  New, S:Old  $\frac{100}{100}$  New, W:Add, Z:Discontinued, F:Interchangeable by set, K:Qty Change  
Copyright (C) YANMAR CO., LTD. All Rights Reserved.

Fig.10. COOLING WATER SYSTEM

(A)=4TNV88-QTB  
(B)=4TNV88-QTB1  
(C)=

(D)=  
(E)=  
(F)=



Remarks

- (1)Interchangeable by simultaneous replacement with No.20-1 and No.21-1.
- (2)Interchangeable by simultaneous replacement with No.20-2 and No.21-2.

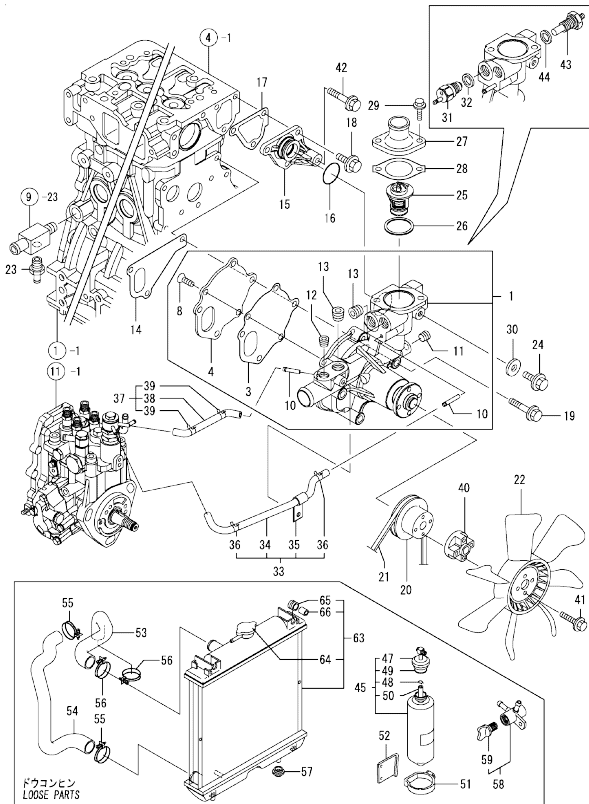
| No.  | Lev. | Parts No.    | Description         | Q'ty |     |     |     |     |     | I | R   |
|------|------|--------------|---------------------|------|-----|-----|-----|-----|-----|---|-----|
|      |      |              |                     | (A)  | (B) | (C) | (D) | (E) | (F) |   |     |
| 1    | 1    | 129004-42001 | PUMP ASSY, WATER    | 1    | 1   |     |     |     |     |   |     |
| 3    | 2    | 129100-42051 | GASKET, WATER PUMP  | 1    | 1   |     |     |     |     |   |     |
| 4    | 2    | 129100-42121 | PLATE               | 1    | 1   |     |     |     |     |   |     |
| 8    | 2    | 121850-42410 | SCREW               | 3    | 3   |     |     |     |     |   |     |
| 10   | 2    | 119802-49113 | JOINT, PIPE         | 2    | 2   |     |     |     |     |   |     |
| 11   | 2    | 23876-010000 | PLUG, R01           | 1    | 1   |     |     |     |     |   |     |
| 12   | 2    | 23876-020000 | PLUG, R02           | 1    | 1   |     |     |     |     |   |     |
| 13   | 2    | 129916-49740 | PLUG, R03           | 2    | 2   |     |     |     |     |   |     |
| 14   | 1    | 129486-42021 | GASKET, WATER PUMP  | 1    | 1   |     |     |     |     |   |     |
| 15   | 1    | 129004-42040 | JOINT               | 1    | 1   |     |     |     |     |   |     |
| 16   | 1    | 129486-42140 | O-RING, G30         | 1    | 1   |     |     |     |     |   |     |
| 17   | 1    | 124395-49840 | GASKET              | 1    | 1   |     |     |     |     |   |     |
| 18   | 1    | 26106-080162 | BOLT, M8X 16 PLATED | 3    | 3   |     |     |     |     |   |     |
| 19   | 1    | 26106-080602 | BOLT, M8X 60 PLATED | 3    | 3   |     |     |     |     |   |     |
| 20   | 1    | 129556-42350 | V-PULLEY, 96        | 1    | 1   |     |     |     |     |   |     |
| 20-1 | 1    | 129403-42380 | V-PULLEY, D=110     | 1    | 1   |     |     |     |     | S | 1   |
|      |      | (A=EZZZZZ)   | (B=EZZZZZ)          |      |     |     |     |     |     |   |     |
| 20-2 | 1    | 129556-42350 | V-PULLEY, 96        | 1    | 1   |     |     |     |     |   | S 2 |
|      |      | (A=EZZZZZ)   | (B=EZZZZZ)          |      |     |     |     |     |     |   |     |
| 21   | 1    | 25152-003700 | V-BELT, A37         | 1    | 1   |     |     |     |     |   |     |
| 21-1 | 1    | 129612-42290 | V-BELT, A37.5       | 1    | 1   |     |     |     |     |   | S 1 |
|      |      | (A=EZZZZZ)   | (B=EZZZZZ)          |      |     |     |     |     |     |   |     |
| 21-2 | 1    | 25152-003700 | V-BELT, A37         | 1    | 1   |     |     |     |     |   | S 2 |
|      |      | (A=EZZZZZ)   | (B=EZZZZZ)          |      |     |     |     |     |     |   |     |
| 22   | 1    | 129655-44740 | FAN, COOLING D380   | 1    | 1   |     |     |     |     |   |     |
| 23   | 1    | 121550-49111 | JOINT, PT1/4        | 1    | 1   |     |     |     |     |   |     |
| 24   | 1    | 26106-080122 | BOLT, M8X 12 PLATED | 1    | 1   |     |     |     |     |   |     |
| 25   | 1    | 129457-49801 | THERMOSTAT, 82      | 1    | 1   |     |     |     |     |   |     |
| 26   | 1    | 129150-49811 | GASKET, THERMOSTAT  | 1    | 1   |     |     |     |     |   |     |
| 27   | 1    | 129350-49530 | COVER, THERMOSTAT   | 1    | 1   |     |     |     |     |   |     |
| 28   | 1    | 129795-49551 | GASKET              | 1    | 1   |     |     |     |     |   |     |
| 29   | 1    | 26106-080222 | BOLT, M8X 22 PLATED | 2    | 2   |     |     |     |     |   |     |
| 30   | 1    | 23414-080000 | GASKET, 8X1.0       | 1    | 1   |     |     |     |     |   |     |
| 31   | 1    | 121250-44901 | SWITCH, 110         | 1    | 1   |     |     |     |     |   |     |
| 32   | 1    | 124465-44950 | GASKET, 16          | 1    | 1   |     |     |     |     |   |     |
| 33   | 1    | 129004-49610 | PIPE ASSY, WATER    | 1    | 1   |     |     |     |     |   |     |
| 34   | 2    | 129004-49711 | PIPE ASSY, WATER    | 1    | 1   |     |     |     |     |   |     |
| 35   | 2    | 119802-49730 | RETAINER, PIPE      | 1    | 1   |     |     |     |     |   |     |
| 36   | 2    | 124722-59050 | CLIP, HOSE 9        | 2    | 2   |     |     |     |     |   |     |
| 37   | 1    | 129004-49620 | PIPE ASSY, WATER    | 1    | 1   |     |     |     |     |   |     |
| 38   | 2    | 129004-49721 | PIPE ASSY, WATER    | 1    | 1   |     |     |     |     |   |     |
| 39   | 2    | 124722-59050 | CLIP, HOSE 9        | 2    | 2   |     |     |     |     |   |     |
| 40   | 1    | 121267-44760 | SPACER              | 1    | 1   |     |     |     |     |   |     |
| 41   | 1    | 26106-060302 | BOLT, M6X 30 PLATED | 4    | 4   |     |     |     |     |   |     |
| 42   | 1    | 26106-080452 | BOLT, M8X 45 PLATED | 1    | 1   |     |     |     |     |   |     |
| 43   | 1    | 119266-49350 | SWITCH              | 1    | 1   |     |     |     |     |   |     |
| 44   | 1    | 129150-49360 | GASKET              | 1    | 1   |     |     |     |     |   |     |
| 45   | 1    | 171064-44510 | TANK ASSY, SUB      | 1    | 1   |     |     |     |     |   |     |
| 47   | 2    | 121450-44531 | CAP                 | 1    | 1   |     |     |     |     |   |     |
| 48   | 2    | 124450-44560 | RETAINER            | 1    | 1   |     |     |     |     |   |     |
| 49   | 2    | 121470-44581 | GASKET              | 1    | 1   |     |     |     |     |   |     |

N:Old  $\frac{New}{Old}$  New, Q:Old  $\frac{New}{Old}$  New, R:Old  $\frac{New}{Old}$  New, S:Old  $\frac{New}{Old}$  New, W:Add, Z:Discontinued, F:Interchangeable by set, K:Q'ty Change  
 ++ CONTINUE ++  
 Copyright (C) YANMAR CO., LTD. All Rights Reserved.

Fig.10. COOLING WATER SYSTEM

(A)=4TNV88-QTB  
(B)=4TNV88-QTB1  
(C)=

(D)=  
(E)=  
(F)=

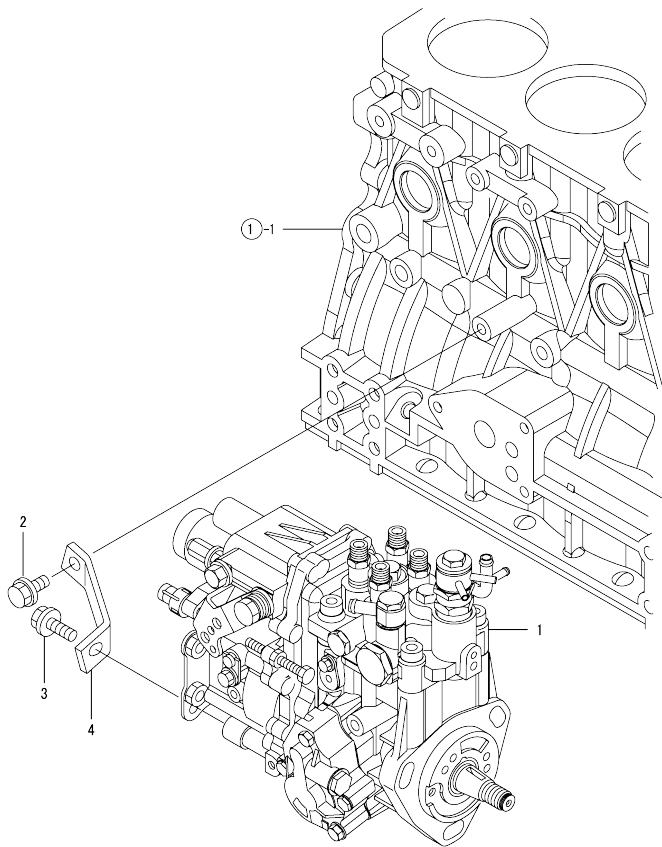


| No.  | Lev. | Parts No.             | Description       | Q'ty |     |     |     |     |     | I | R |
|------|------|-----------------------|-------------------|------|-----|-----|-----|-----|-----|---|---|
|      |      |                       |                   | (A)  | (B) | (C) | (D) | (E) | (F) |   |   |
| 50   | 2    | 23065-070225          | HOSE 7X 225       | 1    | 1   |     |     |     |     |   |   |
| 51   | 1    | 124450-44550          | BAND              | 1    | 1   |     |     |     |     |   |   |
| 52   | 1    | 121256-44600          | BRACKET, SUB TANK | 1    | 1   |     |     |     |     |   |   |
| 53   | 1    | 129612-49030          | PIPE, WATER       | 1    | 1   |     |     |     |     |   |   |
| 53-1 | 1    | 129602-49010          | PIPE, WATER       | 1    | 1   |     |     |     |     |   | N |
|      |      | (A=E01829) (B=E01889) |                   |      |     |     |     |     |     |   |   |
| 53-2 | 1    | 129602-49010          | PIPE, WATER       | 1    | 1   |     |     |     |     |   | Z |
|      |      | (A=EZZZZZ) (B=EZZZZZ) |                   |      |     |     |     |     |     |   |   |
| 54   | 1    | 129612-49040          | PIPE, WATER       | 1    | 1   |     |     |     |     |   | Z |
|      |      | (A=EZZZZZ) (B=EZZZZZ) |                   |      |     |     |     |     |     |   |   |
| 55   | 1    | 23010-038000          | CLAMP, 38         | 2    | 2   |     |     |     |     |   |   |
| 56   | 1    | 23010-044000          | CLAMP, 44         | 2    | 2   |     |     |     |     |   |   |
|      |      | (A=EZZZZZ) (B=EZZZZZ) |                   |      |     |     |     |     |     |   |   |
| 57   | 1    | 119255-44660          | ABSORBER          | 2    | 2   |     |     |     |     |   | Z |
|      |      | (A=EZZZZZ) (B=EZZZZZ) |                   |      |     |     |     |     |     |   |   |
| 58   | 1    | 129150-49100          | COCK ASSY, 3-WAY  | 1    | 1   |     |     |     |     |   |   |
| 59   | 2    | 129150-49080          | COCK, DRAIN       | 1    | 1   |     |     |     |     |   |   |
| 63   | 1    | 129642-44500          | RADIATOR ASSY     | 1    | 1   |     |     |     |     |   | Z |
|      |      | (A=EZZZZZ) (B=FZZZZZ) |                   |      |     |     |     |     |     |   |   |
| 64   | 2    | 129107-44590          | CAP, RADIATOR     | 1    | 1   |     |     |     |     |   | Z |
|      |      | (A=EZZZZZ) (B=EZZZZZ) |                   |      |     |     |     |     |     |   |   |
| 65   | 2    | 129467-44580          | MOUNT, RUBBER     | 2    | 2   |     |     |     |     |   | Z |
|      |      | (A=EZZZZZ) (B=EZZZZZ) |                   |      |     |     |     |     |     |   |   |
| 66   | 2    | 129467-44590          | COLLAR            | 2    | 2   |     |     |     |     |   | Z |
|      |      | (A=EZZZZZ) (B=EZZZZZ) |                   |      |     |     |     |     |     |   |   |

Remarks

- (1)Interchangeable by simultaneous replacement with No.20-1 and No.21-1.
- (2)Interchangeable by simultaneous replacement with No.20-2 and No.21-2.

Fig.11. FUEL INJECTION PUMP



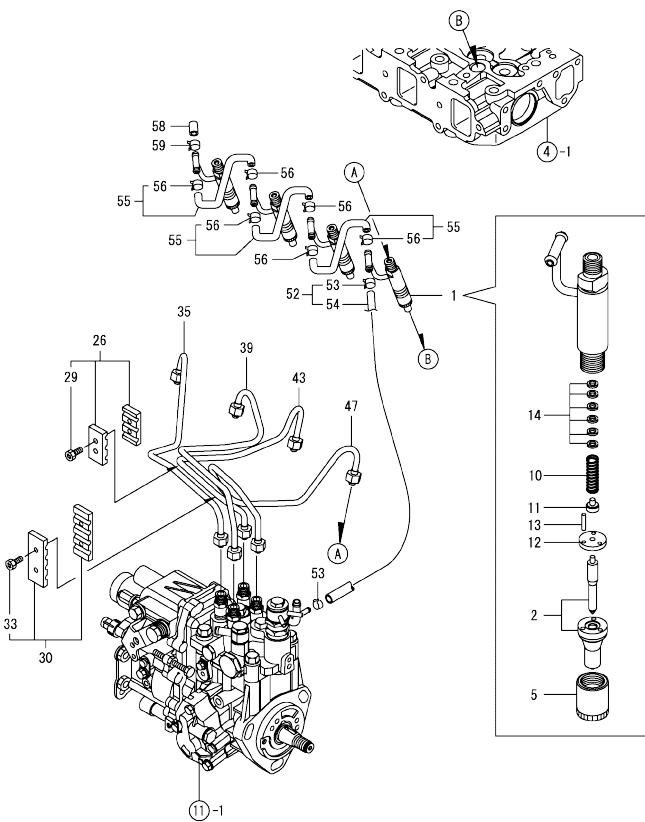
(A)=4TNV88-QTB  
(B)=4TNV88-QTB1  
(C)=

(D)=  
(E)=  
(F)=

| No. | Lev. | Parts No.    | Description          | Q'ty |     |     |     |     |     | I | R |
|-----|------|--------------|----------------------|------|-----|-----|-----|-----|-----|---|---|
|     |      |              |                      | (A)  | (B) | (C) | (D) | (E) | (F) |   |   |
| 1   | 1    | 729642-51410 | PUMP ASSY, INJECTION | 1    | 1   |     |     |     |     |   |   |
| 2   | 1    | 26106-080162 | BOLT, M8X 16 PLATED  | 1    | 1   |     |     |     |     |   |   |
| 3   | 1    | 26106-080202 | BOLT, M8X 20 PLATED  | 1    | 1   |     |     |     |     |   |   |
| 4   | 1    | 129601-51250 | RETAINER, PUMP       | 1    | 1   |     |     |     |     |   |   |



Fig.12. FUEL INJECTION VALVE

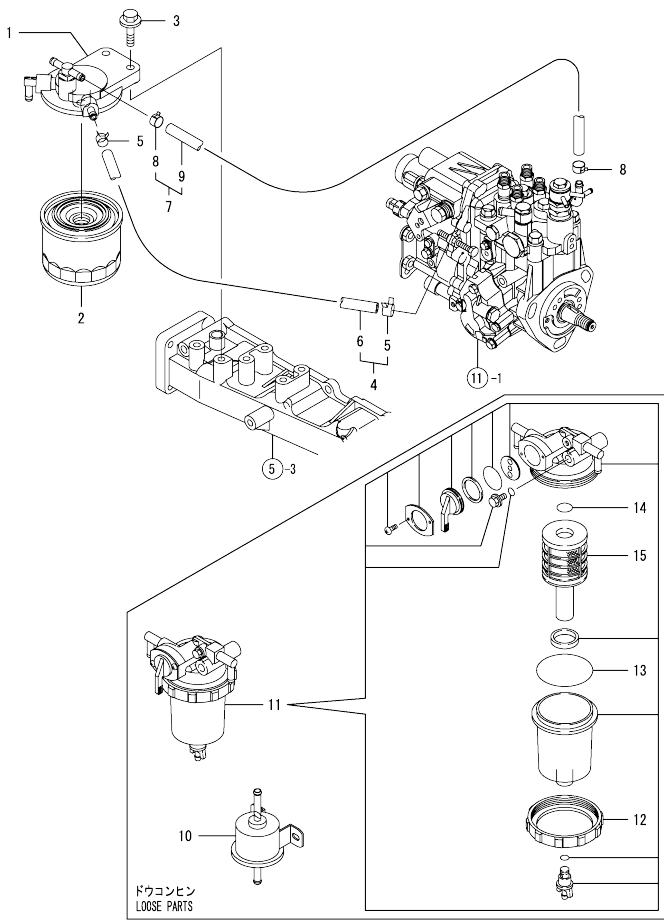


(A)=4TNV88-QTB  
(B)=4TNV88-QTB1  
(C)=

(D)=  
(E)=  
(F)=

| No. | Lev. | Parts No.    | Description          | Q'ty |     |     |     |     |     |
|-----|------|--------------|----------------------|------|-----|-----|-----|-----|-----|
|     |      |              |                      | (A)  | (B) | (C) | (D) | (E) | (F) |
| 1   | 1    | 729642-53100 | VALVE ASSY,INJECTION | 4    | 4   |     |     |     |     |
| 2   | 2    | 129640-53001 | VALVE ASSY,INJECTION | 4    | 4   |     |     |     |     |
| 5   | 2    | 114250-53080 | NUT, NOZZLE D16.95   | 4    | 4   |     |     |     |     |
| 10  | 2    | 114250-53120 | SPRING, NOZZLE       | 4    | 4   |     |     |     |     |
| 11  | 2    | 114250-53130 | SEAT, SPRING         | 4    | 4   |     |     |     |     |
| 12  | 2    | 114250-53140 | PLATE                | 4    | 4   |     |     |     |     |
| 13  | 2    | 114250-53210 | PIN                  | 8    | 8   |     |     |     |     |
| 14  | 2    | 114250-53400 | SHIM SET             | 4    | 4   |     |     |     |     |
| 26  | 1    | 129150-59120 | RETAINER, PIPE       | 1    | 1   |     |     |     |     |
| 29  | 2    | 129150-59131 | BOLT, M4X14          | 2    | 2   |     |     |     |     |
| 30  | 1    | 129550-59120 | RETAINER, PIPE       | 1    | 1   |     |     |     |     |
| 33  | 2    | 129150-59131 | BOLT, M4X14          | 2    | 2   |     |     |     |     |
| 35  | 1    | 129601-59810 | PIPE ASSY, INJECTION | 1    | 1   |     |     |     |     |
| 39  | 1    | 129601-59820 | PIPE ASSY, INJECTION | 1    | 1   |     |     |     |     |
| 43  | 1    | 129601-59830 | PIPE ASSY, INJECTION | 1    | 1   |     |     |     |     |
| 47  | 1    | 129601-59840 | PIPE ASSY, INJECTION | 1    | 1   |     |     |     |     |
| 52  | 1    | 119802-59550 | PIPE ASSY, RETURN    | 1    | 1   |     |     |     |     |
| 53  | 2    | 124722-59050 | CLIP, HOSE 9         | 2    | 2   |     |     |     |     |
| 54  | 2    | 119802-59560 | PIPE, FUEL RETURN    | 1    | 1   |     |     |     |     |
| 55  | 1    | 129486-59551 | PIPE ASSY, RETURN    | 3    | 3   |     |     |     |     |
| 56  | 2    | 124722-59050 | CLIP, HOSE 9         | 6    | 6   |     |     |     |     |
| 58  | 1    | 119593-59580 | CAP                  | 1    | 1   |     |     |     |     |
| 59  | 1    | 124060-77680 | CLIP, HOSE 10        | 1    | 1   |     |     |     |     |

Fig.13. FUEL LINE

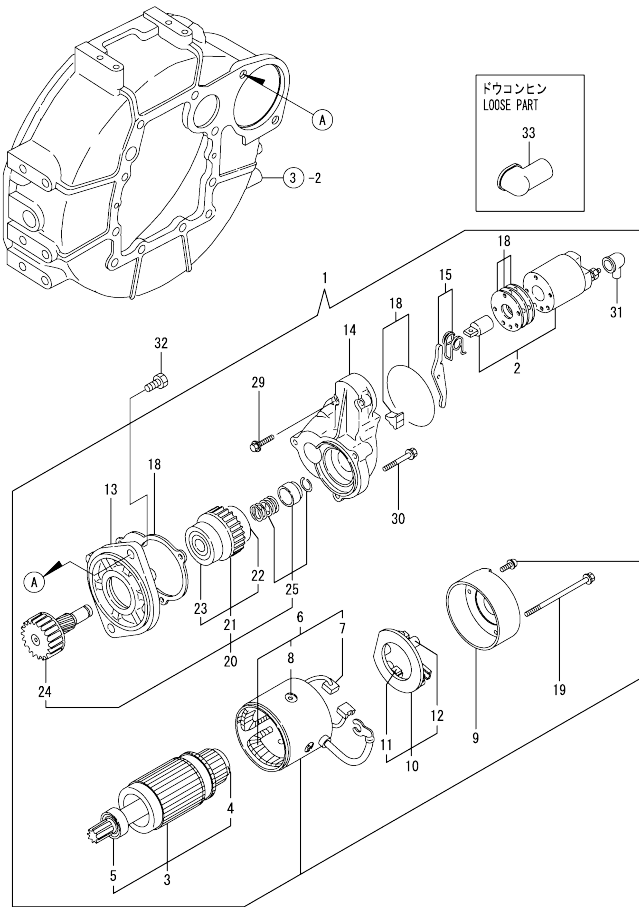


(A)=4TNV88-QTB  
(B)=4TNV88-QTB1  
(C)=

(D)=  
(E)=  
(F)=

| No. | Lev. | Parts No.    | Description          | Q'ty |     |     |     |     |     |  |
|-----|------|--------------|----------------------|------|-----|-----|-----|-----|-----|--|
|     |      |              |                      | (A)  | (B) | (C) | (D) | (E) | (F) |  |
| 1   | 1    | 129004-55610 | BRACKET, FILTER      | 1    | 1   |     |     |     |     |  |
| 2   | 1    | 119802-55800 | FILTER, FUEL         | 1    | 1   |     |     |     |     |  |
| 3   | 1    | 26106-080302 | BOLT, M8X 30 PLATED  | 2    | 2   |     |     |     |     |  |
| 4   | 1    | 129210-59090 | PIPE ASSY, FUEL      | 1    | 1   |     |     |     |     |  |
| 5   | 2    | 124766-59050 | CLIP, HOSE 12        | 2    | 2   |     |     |     |     |  |
| 6   | 2    | 105325-59570 | PIPE, FUEL           | 1    | 1   |     |     |     |     |  |
| 7   | 1    | 129210-59150 | PIPE ASSY, FUEL      | 1    | 1   |     |     |     |     |  |
| 8   | 2    | 124766-59050 | CLIP, HOSE 12        | 2    | 2   |     |     |     |     |  |
| 9   | 2    | 105025-59530 | PIPE, FUEL D13X400   | 1    | 1   |     |     |     |     |  |
| 10  | 1    | 129612-52100 | PUMP ASSY, FUEL FEED | 1    | 1   |     |     |     |     |  |
| 11  | 1    | 129906-55700 | SEPARATOR ASSY       | 1    | 1   |     |     |     |     |  |
| 12  | 2    | 129100-55690 | RING, RETAINING      | 1    | 1   |     |     |     |     |  |
| 13  | 2    | 24321-000650 | O-RING, 1AG65.0      | 1    | 1   |     |     |     |     |  |
| 14  | 2    | 24311-000160 | O-RING, 1AP16.0      | 1    | 1   |     |     |     |     |  |
| 15  | 2    | 119802-55710 | ELEMENT              | 1    | 1   |     |     |     |     |  |

Fig.14. STARTING MOTOR

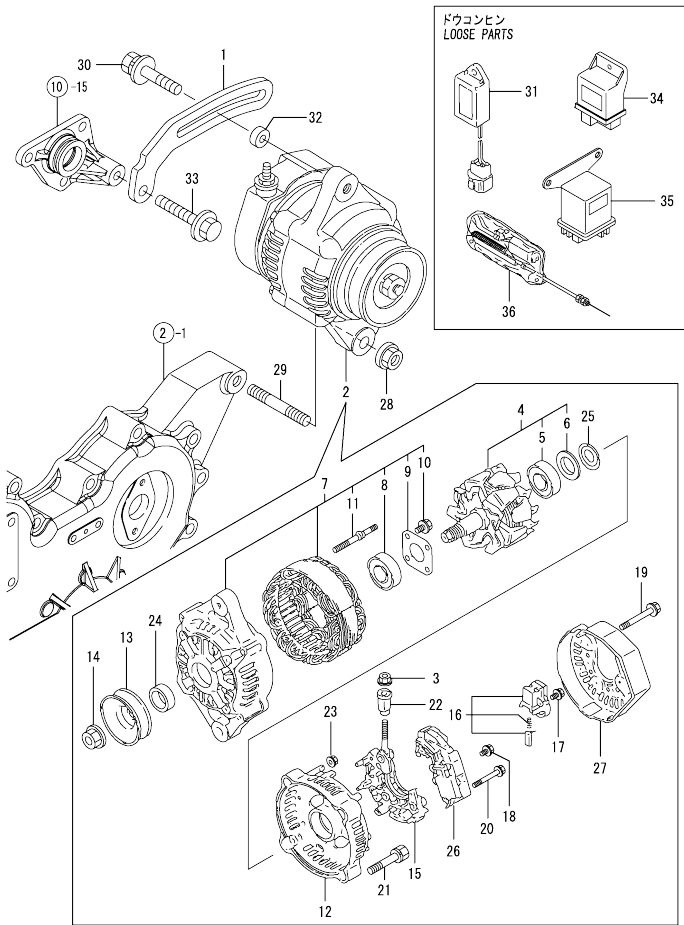


(A)=4TNV88-QTB  
(B)=4TNV88-QTB1  
(C)=

(D)=  
(E)=  
(F)=

| No. | Lev. | Parts No.    | Description           | Q'ty |     |     |     |     |     |  |
|-----|------|--------------|-----------------------|------|-----|-----|-----|-----|-----|--|
|     |      |              |                       | (A)  | (B) | (C) | (D) | (E) | (F) |  |
| 1   | 1    | 129136-77011 | STARTER               | 1    | 1   |     |     |     |     |  |
| 2   | 2    | 129136-77310 | SWITCH ASSY           | 1    | 1   |     |     |     |     |  |
| 3   | 2    | 129900-77400 | ARMATURE ASSY         | 1    | 1   |     |     |     |     |  |
| 4   | 3    | X2130350900  | BALL BEARING          | 1    | 1   |     |     |     |     |  |
| 5   | 3    | X2114255110  | BEARING, BALL         | 1    | 1   |     |     |     |     |  |
| 6   | 2    | 129900-77440 | COIL ASSY, FIELD      | 1    | 1   |     |     |     |     |  |
| 7   | 3    | 129900-77450 | BRUSH (+)             | 2    | 2   |     |     |     |     |  |
| 8   | 3    | 171008-77450 | SCREW                 | 4    | 4   |     |     |     |     |  |
| 9   | 2    | 129900-77460 | COVER, REAR           | 1    | 1   |     |     |     |     |  |
| 10  | 2    | 129900-77480 | HOLDER ASSY, BRASH    | 1    | 1   |     |     |     |     |  |
| 11  | 3    | 129900-77450 | BRUSH (+)             | 2    | 2   |     |     |     |     |  |
| 12  | 3    | 129400-77490 | SPRING, BRUSH         | 4    | 4   |     |     |     |     |  |
| 13  | 2    | 171008-77510 | HOUSING ASSY, GEAR    | 1    | 1   |     |     |     |     |  |
| 14  | 2    | 129136-77520 | CENTER HOUSING        | 1    | 1   |     |     |     |     |  |
| 15  | 2    | 171008-77540 | LEVER SET, SHIFT      | 1    | 1   |     |     |     |     |  |
| 18  | 2    | 129400-77571 | DUST COVER, (NON-ASB. | 1    | 1   |     |     |     |     |  |
| 19  | 2    | 129900-77640 | BOLT, THROUGH         | 2    | 2   |     |     |     |     |  |
| 20  | 2    | 171008-77650 | PINION ASSY           | 1    | 1   |     |     |     |     |  |
| 21  | 3    | X2114555500  | CLUTCH ASSY           | 1    | 1   |     |     |     |     |  |
| 22  | 4    | X2114955020  | BALL BEARING          | 1    | 1   |     |     |     |     |  |
| 23  | 4    | X2240410100  | BEARING, BALL         | 1    | 1   |     |     |     |     |  |
| 24  | 3    | 171008-77660 | SHAFT, PINION         | 1    | 1   |     |     |     |     |  |
| 25  | 3    | 171008-77670 | STOPPER SET, PINION   | 1    | 1   |     |     |     |     |  |
| 29  | 2    | 26106-060322 | BOLT, M6X 32 PLATED   | 2    | 2   |     |     |     |     |  |
| 30  | 2    | 26106-060402 | BOLT, M6X 40 PLATED   | 3    | 3   |     |     |     |     |  |
| 31  | 2    | 171008-77750 | COVER, M TERMINAL     | 1    | 1   |     |     |     |     |  |
| 32  | 1    | 26116-120252 | BOLT, M12X 25 PLATED  | 2    | 2   |     |     |     |     |  |
| 33  | 1    | 124550-77030 | COVER, TERMINAL       | 1    | 1   |     |     |     |     |  |

Fig.15. GENERATOR

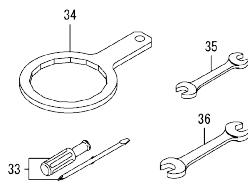
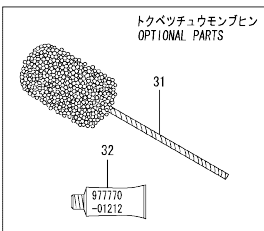
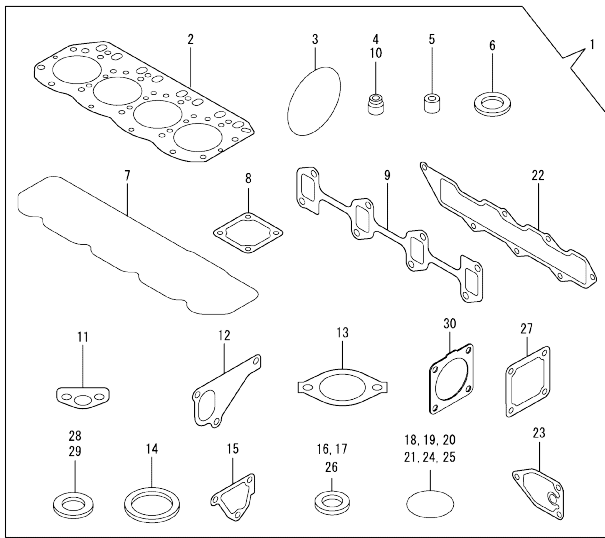


(A)=4TNV88-QTB  
(B)=4TNV88-QTB1  
(C)=

(D)=  
(E)=  
(F)=

| No. | Lev. | Parts No.    | Description         | Q'ty |     |     |     |     |     | I | R |
|-----|------|--------------|---------------------|------|-----|-----|-----|-----|-----|---|---|
|     |      |              |                     | (A)  | (B) | (C) | (D) | (E) | (F) |   |   |
| 1   | 1    | 119940-77330 | ADJUSTER            | 1    | 1   |     |     |     |     |   |   |
| 2   | 1    | 129240-77200 | ALTERNATOR          | 1    | 1   |     |     |     |     |   |   |
| 3   | 2    | 129240-79310 | NUT                 | 1    | 1   |     |     |     |     |   |   |
| 4   | 2    | 119620-77380 | ROTOR ASSY          | 1    | 1   |     |     |     |     |   |   |
| 5   | 3    | 126501-79240 | BALL BEARING        | 1    | 1   |     |     |     |     |   |   |
| 6   | 3    | 119620-79250 | COVER, BEARING      | 1    | 1   |     |     |     |     |   |   |
| 7   | 2    | 119620-77421 | FRAME ASSY, DRIVE   | 1    | 1   |     |     |     |     |   |   |
| 8   | 3    | 119620-79200 | BALL BEARING        | 1    | 1   |     |     |     |     |   |   |
| 9   | 3    | 119620-79210 | PLATE               | 1    | 1   |     |     |     |     |   |   |
| 10  | 3    | 119620-79220 | SCREW               | 4    | 4   |     |     |     |     |   |   |
| 11  | 3    | 119620-79230 | BOLT, STUD          | 2    | 2   |     |     |     |     |   |   |
| 12  | 2    | 119620-77440 | FLAME ASSY, REAR    | 1    | 1   |     |     |     |     |   |   |
| 13  | 2    | 119620-77461 | PULLEY              | 1    | 1   |     |     |     |     |   |   |
| 14  | 2    | 119620-77471 | NUT                 | 1    | 1   |     |     |     |     |   |   |
| 15  | 2    | 119620-79260 | HOLDER              | 1    | 1   |     |     |     |     |   |   |
| 16  | 2    | 129052-79270 | HOLDER, BRUSH       | 1    | 1   |     |     |     |     |   |   |
| 17  | 2    | 119620-79290 | SCREW               | 6    | 6   |     |     |     |     |   |   |
| 18  | 2    | 119620-79300 | SCREW               | 1    | 1   |     |     |     |     |   |   |
| 19  | 2    | 119620-79310 | BOLT                | 3    | 3   |     |     |     |     |   |   |
| 20  | 2    | 119620-79320 | SCREW WWASHER       | 2    | 2   |     |     |     |     |   |   |
| 21  | 2    | 119620-79330 | BOLT                | 2    | 2   |     |     |     |     |   |   |
| 22  | 2    | 119620-79340 | INSULATION BUSH     | 1    | 1   |     |     |     |     |   |   |
| 23  | 2    | 119620-79350 | NUT                 | 2    | 2   |     |     |     |     |   |   |
| 24  | 2    | 119620-77490 | COLLAR              | 1    | 1   |     |     |     |     |   |   |
| 25  | 2    | 119620-79360 | WASHER, THRUST      | 1    | 1   |     |     |     |     |   |   |
| 26  | 2    | 129240-77710 | REGULATOR ASSY      | 1    | 1   |     |     |     |     |   |   |
| 27  | 2    | 129240-79300 | COVER               | 1    | 1   |     |     |     |     |   |   |
| 28  | 1    | 26306-100002 | NUT, M10            | 1    | 1   |     |     |     |     |   |   |
| 29  | 1    | 129795-01900 | STUD                | 1    | 1   |     |     |     |     |   |   |
| 30  | 1    | 119802-77340 | BOLT, ADJUSTER      | 1    | 1   |     |     |     |     |   |   |
| 31  | 1    | 129211-77920 | TIMER               | 1    | 1   |     |     |     |     |   |   |
| 32  | 1    | 119940-77270 | SPACER, GENERATOR   | 1    | 1   |     |     |     |     |   |   |
| 33  | 1    | 26106-080452 | BOLT, M8X 45 PLATED | 1    | 1   |     |     |     |     |   |   |
| 34  | 1    | 119802-77200 | RELAY, SAFETY       | 1    | 1   |     |     |     |     |   |   |
| 35  | 1    | 119646-77900 | RELAY, POWER        | 2    | 2   |     |     |     |     |   |   |
| 36  | 1    | 119032-77910 | MOTOR ASSY          | 1    | 1   |     |     |     |     |   |   |

Fig.16. TOOL & GASKET SET



(A)=4TNV88-QTB  
(B)=4TNV88-QTB1  
(C)=

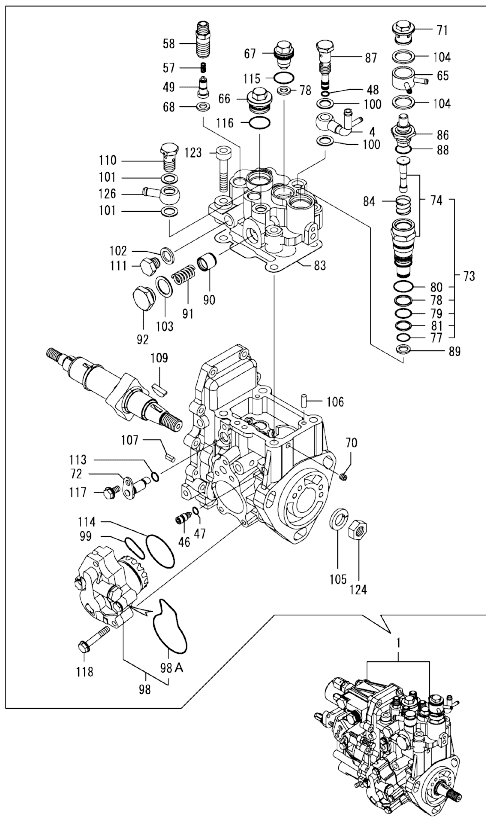
(D)=  
(E)=  
(F)=

| No. | Lev. | Parts No.     | Description        | Q'ty |     |     |     |     |     | I | R |
|-----|------|---------------|--------------------|------|-----|-----|-----|-----|-----|---|---|
|     |      |               |                    | (A)  | (B) | (C) | (D) | (E) | (F) |   |   |
| 1   | 1    | 72960-1-92700 | GASKET SET         | 1    | 1   |     |     |     |     |   | 1 |
| 2   | 2    | 129407-01340  | GASKET, HEAD       | 1    | 1   |     |     |     |     |   |   |
| 3   | 2    | 121850-51960  | O-RING             | 1    | 1   |     |     |     |     |   |   |
| 4   | 2    | 124460-11340  | SEAL, VALVE STEM   | 4    | 4   |     |     |     |     |   |   |
| 5   | 2    | 119802-11870  | PROTECTOR, NOZZLE  | 4    | 4   |     |     |     |     |   |   |
| 6   | 2    | 119625-11880  | SEAT, NOZZLE       | 4    | 4   |     |     |     |     |   |   |
| 7   | 2    | 129601-11310  | GASKET, BONNET     | 1    | 1   |     |     |     |     |   |   |
| 8   | 2    | 129150-77511  | GASKET             | 1    | 1   |     |     |     |     |   |   |
| 9   | 2    | 129550-13110  | GASKET             | 1    | 1   |     |     |     |     |   |   |
| 10  | 2    | 121400-11340  | SEAL, VALVE STEM   | 4    | 4   |     |     |     |     |   |   |
| 11  | 2    | 129150-35041  | GASKET             | 1    | 1   |     |     |     |     |   |   |
| 12  | 2    | 129486-42021  | GASKET, WATER PUMP | 1    | 1   |     |     |     |     |   |   |
| 13  | 2    | 129795-49551  | GASKET             | 1    | 1   |     |     |     |     |   |   |
| 14  | 2    | 129150-49811  | GASKET, THERMOSTAT | 1    | 1   |     |     |     |     |   |   |
| 15  | 2    | 124395-49840  | GASKET             | 1    | 1   |     |     |     |     |   |   |
| 16  | 2    | 22190-080002  | WASHER, SEAL 6     | 2    | 2   |     |     |     |     |   |   |
| 17  | 2    | 124465-44950  | GASKET, 16         | 1    | 1   |     |     |     |     |   |   |
| 18  | 2    | 24311-000120  | O-RING, 1AP12.0    | 3    | 3   |     |     |     |     |   |   |
| 19  | 2    | 24311-000320  | O-RING, 1AP32.0    | 2    | 2   |     |     |     |     |   |   |
| 20  | 2    | 24341-000240  | O-RING, 1AS24.0    | 1    | 1   |     |     |     |     |   |   |
| 21  | 2    | 129486-42140  | O-RING, G30        | 1    | 1   |     |     |     |     |   |   |
| 22  | 2    | 129407-12110  | GASKET, MANIFOLD   | 1    | 1   |     |     |     |     |   |   |
| 23  | 2    | 129150-35111  | GASKET             | 1    | 1   |     |     |     |     |   |   |
| 24  | 2    | 24341-000250  | O-RING, 1AS25.0    | 1    | 1   |     |     |     |     |   |   |
| 25  | 2    | 119609-32040  | O-RING, P16        | 4    | 4   |     |     |     |     |   |   |
| 26  | 2    | 22190-100002  | WASHER, SEAL 10    | 2    | 2   |     |     |     |     |   |   |
| 27  | 2    | 129100-77510  | GASKET, AIR HEATER | 1    | 1   |     |     |     |     |   |   |
| 28  | 2    | 23414-080000  | GASKET, 8X1.0      | 1    | 1   |     |     |     |     |   |   |
| 29  | 2    | 129150-49360  | GASKET             | 1    | 1   |     |     |     |     |   |   |
| 30  | 2    | 129930-13200  | GASKET, SILENCER   | 1    | 1   |     |     |     |     |   |   |
| 31  | 1    | 129400-92430  | HONE               | 1    | 1   |     |     |     |     |   | 1 |
| 32  | 1    | 977770-01212  | GASKET, LIQUID     | 1    | 1   |     |     |     |     |   | 1 |
| 33  | 1    | 104200-92350  | DRIVER, SCREW      | 1    | 1   |     |     |     |     |   |   |
| 34  | 1    | 119640-92750  | WRENCH, FILTER 80  | 1    | 1   |     |     |     |     |   |   |
| 35  | 1    | 28110-100120  | SPANNER, 10X12     | 1    | 1   |     |     |     |     |   |   |
| 36  | 1    | 28110-140170  | SPANNER, 14X17     | 1    | 1   |     |     |     |     |   |   |

Remarks  
(1) OPTIONAL PART.

N:Old  $\frac{100}{100}$  New, Q:Old  $\frac{100}{100}$  New, R:Old  $\frac{100}{100}$  New, S:Old  $\frac{100}{100}$  New, W:Add, Z:Discontinued, F:Interchangeable by set, K:Q'ty Change  
Copyright (C) YANMAR CO., LTD. All Rights Reserved.

Fig.17. FUEL INJECTION PUMP (INNER PARTS)



(A)=4TNV88-QTB  
(B)=4TNV88-QTB1  
(C)=

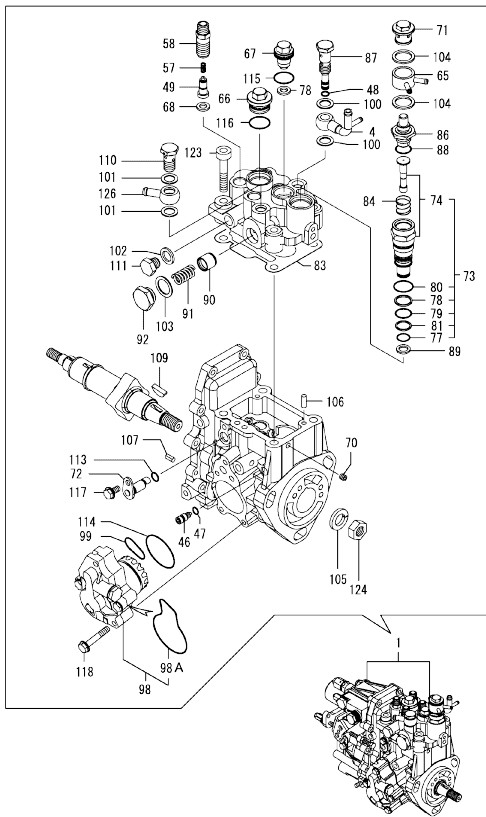
(D)=  
(E)=  
(F)=

| No. | Lev. | Parts No.    | Description          | Q'ty |     |     |     |     |     | I | R |
|-----|------|--------------|----------------------|------|-----|-----|-----|-----|-----|---|---|
|     |      |              |                      | (A)  | (B) | (C) | (D) | (E) | (F) |   |   |
| 1   | 1    | 729642-51410 | PUMP ASSY, INJECTION | 1    | 1   |     |     |     |     |   | 1 |
| 4   | 2    | 158552-51670 | JOINT, OVER FLOW     | 1    | 1   |     |     |     |     |   |   |
| 46  | 3    | 158600-51270 | STOPPER, TAPPET      | 1    | 1   |     |     |     |     |   |   |
| 47  | 3    | 158563-51281 | O-RING, 4D S6        | 1    | 1   |     |     |     |     |   |   |
| 48  | 3    | 158563-51281 | O-RING, 4D S6        | 1    | 1   |     |     |     |     |   |   |
| 49  | 3    | 158560-51300 | VALVE ASSY, DELIVERY | 4    | 4   |     |     |     |     |   |   |
| 57  | 3    | 158563-51330 | SPRING, DELIVERY     | 4    | 4   |     |     |     |     |   |   |
| 58  | 3    | 158601-51340 | HOLDER, DELIVERY     | 4    | 4   |     |     |     |     |   |   |
| 65  | 3    | 158553-51551 | JOINT                | 1    | 1   |     |     |     |     |   |   |
| 66  | 3    | 158601-51550 | PLUG                 | 1    | 1   |     |     |     |     |   |   |
| 67  | 3    | 119802-51560 | PLUG, BARREL         | 1    | 1   |     |     |     |     |   |   |
| 68  | 3    | 158552-51570 | GASKET               | 4    | 4   |     |     |     |     |   |   |
| 69  | 3    | 158552-51570 | GASKET               | 1    | 1   |     |     |     |     |   |   |
| 70  | 3    | 158557-51570 | PLUG                 | 1    | 1   |     |     |     |     |   |   |
| 71  | 3    | 158601-51570 | PLUG                 | 1    | 1   |     |     |     |     |   |   |
| 72  | 3    | 158552-51580 | LIFTER               | 1    | 1   |     |     |     |     |   |   |
| 73  | 3    | 119802-51590 | TIMER SET            | 1    | 1   |     |     |     |     |   |   |
| 74  | 4    | 119802-51600 | TIMER ASSY           | 1    | 1   |     |     |     |     |   |   |
| 77  | 4    | 158553-51670 | O-RING, 1011         | 1    | 1   |     |     |     |     |   |   |
| 78  | 4    | 119802-51680 | RING, BACK UP        | 1    | 1   |     |     |     |     |   |   |
| 79  | 4    | 119802-51690 | O-RING               | 1    | 1   |     |     |     |     |   |   |
| 80  | 4    | 24356-010200 | O-RING, 4D1020       | 1    | 1   |     |     |     |     |   |   |
| 81  | 4    | 24372-000150 | RING, BACK UP T2P15  | 1    | 1   |     |     |     |     |   |   |
| 83  | 3    | 158552-51600 | GASKET               | 1    | 1   |     |     |     |     |   |   |
| 84  | 3    | 158553-51630 | SPRING, TIMER        | 1    | 1   |     |     |     |     |   |   |
| 86  | 3    | 158553-51640 | ELEMENT              | 1    | 1   |     |     |     |     |   |   |
| 87  | 3    | 158601-51650 | JOINT, OVER FLOW     | 1    | 1   |     |     |     |     |   |   |
| 88  | 3    | 158553-51660 | O-RING, P14          | 1    | 1   |     |     |     |     |   |   |
| 89  | 3    | 158553-51680 | GASKET               | 1    | 1   |     |     |     |     |   |   |
| 90  | 3    | 158601-51770 | PISTON               | 1    | 1   |     |     |     |     |   |   |
| 91  | 3    | 158552-51780 | SPRING               | 1    | 1   |     |     |     |     |   |   |
| 92  | 3    | 158601-51790 | PLUG                 | 1    | 1   |     |     |     |     |   |   |
| 98  | 3    | 158552-52100 | PUMP ASSY, FUEL FEED | 1    | 1   |     |     |     |     |   |   |
| 98A | 4    | 158552-52500 | O-RING               | 1    | 1   |     |     |     |     |   |   |
| 99  | 3    | 158552-52310 | O-RING               | 1    | 1   |     |     |     |     |   |   |
| 100 | 3    | 22190-120002 | WASHER, SEAL 12      | 2    | 2   |     |     |     |     |   |   |
| 101 | 3    | 22190-120002 | WASHER, SEAL 12      | 2    | 2   |     |     |     |     |   |   |
| 102 | 3    | 22190-120002 | WASHER, SEAL 12      | 1    | 1   |     |     |     |     |   |   |
| 103 | 3    | 22190-180002 | WASHER, SEAL 18      | 1    | 1   |     |     |     |     |   |   |
| 104 | 3    | 22190-180002 | WASHER, SEAL 18      | 2    | 2   |     |     |     |     |   |   |
| 105 | 3    | 22217-140000 | WASHER, SPRING 14    | 1    | 1   |     |     |     |     |   |   |
| 106 | 3    | 22312-050140 | PIN, PARALLEL M5X14  | 2    | 2   |     |     |     |     |   |   |
| 107 | 3    | 22351-050010 | PIN, SPRING 5.0X10   | 2    | 2   |     |     |     |     |   |   |
| 110 | 3    | 23857-060000 | BOLT, JOINT 6        | 1    | 1   |     |     |     |     |   |   |
| 111 | 3    | 23887-120002 | PLUG, 12             | 1    | 1   |     |     |     |     |   |   |
| 113 | 3    | 24311-000070 | O-RING, 1AP7.0       | 1    | 1   |     |     |     |     |   |   |
| 114 | 3    | 158552-52400 | O-RING, 4E S42       | 1    | 1   |     |     |     |     |   |   |
| 115 | 3    | 24356-010180 | O-RING, 4D1018       | 1    | 1   |     |     |     |     |   |   |
| 116 | 3    | 24356-010200 | O-RING, 4D1020       | 1    | 1   |     |     |     |     |   |   |
| 117 | 3    | 26106-060102 | BOLT, M6X 10 PLATED  | 1    | 1   |     |     |     |     |   |   |
| 118 | 3    | 158553-51770 | BOLT                 | 4    | 4   |     |     |     |     |   |   |

Remarks  
(1) GOVERNOR ASSY(FIG.18) IS INCORPORATED IN THIS FOP.CMP (REF.NO.1).

N:Old  $\frac{New}{Old}$  New, Q:Old  $\frac{New}{Old}$  New, R:Old  $\frac{New}{Old}$  New, S:Old  $\frac{New}{Old}$  New, W:Add, Z:Discontinued, F:Interchangeable by set, K:Q'ty Change  
++ CONTINUE ++  
Copyright (C) YANMAR CO., LTD. All Rights Reserved.

Fig.17. FUEL INJECTION PUMP (INNER PARTS)



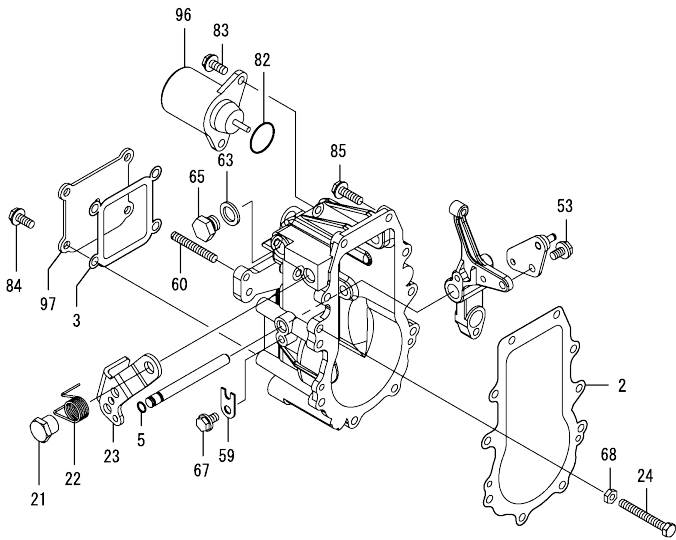
(A)=4TNV88-QTB  
(B)=4TNV88-QTB1  
(C)=

(D)=  
(E)=  
(F)=

| No. | Lev. | Parts No.    | Description    | Q'ty |     |     |     |     |     |
|-----|------|--------------|----------------|------|-----|-----|-----|-----|-----|
|     |      |              |                | (A)  | (B) | (C) | (D) | (E) | (F) |
| 123 | 3    | 26450-080452 | BOLT, M8X 45   | 4    | 4   |     |     |     |     |
| 124 | 3    | 26776-140002 | NUT, LOCK M14  | 1    | 1   |     |     |     |     |
| 126 | 2    | 129916-59020 | JOINT, PIPE 12 | 1    | 1   |     |     |     |     |

Remarks  
(1) GOVERNOR ASSY(FIG.18) IS  
INCORPORATED IN THIS FOP.CMP  
(REF.NO.1).

Fig.18. GOVERNOR (INNER PARTS)



(A)=4TNV88-QTB  
(B)=4TNV88-QTB1  
(C)=

(D)=  
(E)=  
(F)=

| No. | Lev. | Parts No.    | Description          | Q'ty |     |     |     |     |     |
|-----|------|--------------|----------------------|------|-----|-----|-----|-----|-----|
|     |      |              |                      | (A)  | (B) | (C) | (D) | (E) | (F) |
| 2   | 3    | 158553-61050 | GASKET               | 1    | 1   |     |     |     |     |
| 3   | 3    | 158553-61070 | GASKET               | 1    | 1   |     |     |     |     |
| 5   | 4    | 129155-51280 | O-RING, S6           | 1    | 1   |     |     |     |     |
| 21  | 4    | 129255-61410 | NUT, LOCK            | 1    | 1   |     |     |     |     |
| 22  | 4    | 119807-61420 | SPRING, RETURN       | 1    | 1   |     |     |     |     |
| 23  | 4    | 158552-61441 | LEVER, REGULATOR     | 1    | 1   |     |     |     |     |
| 24  | 4    | 129155-61460 | BOLT, IDLE           | 1    | 1   |     |     |     |     |
| 53  | 4    | 26106-060102 | BOLT, M6X 10 PLATED  | 1    | 1   |     |     |     |     |
| 60  | 4    | 171002-66830 | SCREW                | 1    | 1   |     |     |     |     |
| 63  | 4    | 22190-120000 | WASHER, SEAL 12      | 1    | 1   |     |     |     |     |
| 65  | 4    | 23887-120002 | PLUG, 12             | 1    | 1   |     |     |     |     |
| 67  | 4    | 26106-060102 | BOLT, M6X 10 PLATED  | 1    | 1   |     |     |     |     |
| 68  | 4    | 26756-060002 | NUT, LOCK M6         | 1    | 1   |     |     |     |     |
| 82  | 3    | 24341-000280 | O-RING, 1AS28.0      | 1    | 1   |     |     |     |     |
| 83  | 3    | 26106-060142 | BOLT, M6X 14 PLATED  | 2    | 2   |     |     |     |     |
| 84  | 3    | 26106-060142 | BOLT, M6X 14 PLATED  | 4    | 4   |     |     |     |     |
| 85  | 3    | 26106-060202 | BOLT, M6X 20 PLATED  | 10   | 10  |     |     |     |     |
| 96  | 2    | 119233-77932 | SOLENOID, STOP       | 1    | 1   |     |     |     |     |
| 97  | 2    | 129642-61060 | COVER, GOVERNOR CASE | 1    | 1   |     |     |     |     |

Remarks

(1) SELECTIVE PARTS:CERTAIN THE CLASSIFICATION MARK, THEN PLACE YOUR ORDER. (REF TO ILLUSTRATION).  
\* THIS FIGURE (GOVERNOR ASSY) IS INCORPORATED IN THE FUEL INJECTION PUMP ASSY (FIG.17).



## Parts No. Index

| Parts No.    | Fig. No. | Ref. No. |
|--------------|----------|----------|
| 104200-92350 | 16       | 33       |
| 105025-59530 | 13       | 9        |
| 105325-59570 | 13       | 6        |
| 114250-39450 | 9        | 12       |
| 114250-53080 | 12       | 5        |
| 114250-53120 | 12       | 10       |
| 114250-53130 | 12       | 11       |
| 114250-53140 | 12       | 12       |
| 114250-53210 | 12       | 13       |
| 114250-53400 | 12       | 14       |
| 119032-77910 | 15       | 36       |
| 119131-18320 | 6        | 5        |
| 119233-77932 | 18       | 96       |
| 119255-44660 | 10       | 57       |
| 119266-49350 | 10       | 43       |
| 119593-59580 | 12       | 58       |
| 119609-32040 | 2        | 17       |
|              | 16       | 25       |
| 119620-01750 | 3        | 3        |
| 119620-77380 | 15       | 4        |
| 119620-77421 | 15       | 7        |
| 119620-77440 | 15       | 12       |
| 119620-77461 | 15       | 13       |
| 119620-77471 | 15       | 14       |
| 119620-77490 | 15       | 24       |
| 119620-79200 | 15       | 8        |
| 119620-79210 | 15       | 9        |
| 119620-79220 | 15       | 10       |
| 119620-79230 | 15       | 11       |
| 119620-79250 | 15       | 6        |
| 119620-79260 | 15       | 15       |
| 119620-79290 | 15       | 17       |
| 119620-79300 | 15       | 18       |
| 119620-79310 | 15       | 19       |
| 119620-79320 | 15       | 20       |
| 119620-79330 | 15       | 21       |
| 119620-79340 | 15       | 22       |
| 119620-79350 | 15       | 23       |
| 119620-79360 | 15       | 25       |
| 119625-11880 | 4        | 20       |
|              | 16       | 6        |
| 119640-92750 | 16       | 34       |
| 119646-77900 | 15       | 35       |
| 119802-01520 | 2        | 12       |
| 119802-01560 | 2        | 13       |
| 119802-03110 | 4        | 41       |
| 119802-03120 | 4        | 42       |
| 119802-03130 | 4        | 43       |
| 119802-03140 | 4        | 44       |
| 119802-11260 | 4        | 26       |

| Parts No.    | Fig. No. | Ref. No. |
|--------------|----------|----------|
| 119802-11270 | 4        | 27       |
| 119802-11870 | 4        | 19       |
|              | 16       | 5        |
| 119802-12560 | 5        | 15       |
| 119802-21201 | 8        | 5        |
| 119802-21650 | 8        | 9        |
| 119802-25051 | 7        | 9        |
| 119802-25070 | 7        | 13       |
| 119802-25100 | 7        | 10       |
| 119802-25901 | 7        | 15       |
| 119802-32070 | 2        | 8        |
| 119802-32100 | 2        | 7        |
| 119802-32111 | 2        | 18       |
| 119802-32120 | 2        | 19       |
| 119802-32130 | 2        | 20       |
| 119802-39450 | 9        | 14       |
| 119802-49113 | 10       | 10       |
| 119802-49730 | 10       | 35       |
| 119802-51560 | 17       | 67       |
| 119802-51590 | 17       | 73       |
| 119802-51600 | 17       | 74       |
| 119802-51680 | 17       | 78       |
| 119802-51690 | 17       | 79       |
| 119802-55710 | 13       | 15       |
| 119802-55800 | 13       | 2        |
| 119802-59550 | 12       | 52       |
| 119802-59560 | 12       | 54       |
| 119802-77200 | 15       | 34       |
| 119802-77340 | 15       | 30       |
| 119807-61420 | 18       | 22       |
| 119808-12520 | 5        | 19       |
| 119808-12540 | 5        | 20       |
| 119865-21600 | 8        | 16       |
| 119866-12541 | 5        | 21       |
| 119910-12210 | 5        | 14       |
| 119910-12510 | 5        | 18       |
| 119934-01800 | 2        | 6        |
| 119940-59130 | 9        | 29       |
| 119940-77270 | 15       | 32       |
| 119940-77330 | 15       | 1        |
| 120130-11860 | 4        | 5        |
| 120270-54410 | 4        | 23       |
| 121023-01550 | 2        | 27       |
| 121111-21501 | 8        | 12       |
| 121250-44901 | 10       | 31       |
| 121256-44600 | 10       | 52       |
| 121267-44760 | 10       | 40       |
| 121400-11340 | 4        | 16       |
|              | 16       | 10       |
| 121450-44531 | 10       | 47       |

| Parts No.    | Fig. No. | Ref. No. |
|--------------|----------|----------|
| 121470-44581 | 10       | 49       |
| 121520-34810 | 9        | 2        |
| 121550-23200 | 8        | 30       |
| 121550-49111 | 10       | 23       |
| 121850-21680 | 8        | 11       |
| 121850-42410 | 10       | 8        |
| 121850-51960 | 2        | 21       |
|              | 16       | 3        |
| 123900-13610 | 6        | 6        |
| 123900-13630 | 6        | 4        |
| 124060-01050 | 1        | 10       |
| 124060-77680 | 12       | 59       |
| 124160-01751 | 2        | 14       |
|              | 4        | 50       |
| 124160-01910 | 1        | 5        |
|              | 15       | 15       |
| 124160-11360 | 4        | 52       |
| 124160-39140 | 9        | 13       |
| 124240-01871 | 2        | 15       |
| 124395-49840 | 10       | 17       |
|              | 16       | 15       |
| 124450-44550 | 10       | 51       |
| 124450-44560 | 10       | 48       |
| 124460-11340 | 4        | 17       |
|              | 16       | 4        |
| 124465-44950 | 10       | 32       |
|              | 16       | 17       |
| 124550-77030 | 14       | 33       |
| 124722-59050 | 10       | 36       |
|              | 39       | 39       |
|              | 12       | 53       |
|              | 56       | 56       |
| 124766-59050 | 13       | 5        |
|              | 8        | 8        |
| 126501-79240 | 15       | 5        |
| 129001-01250 | 1        | 11       |
| 129001-02930 | 1        | 25       |
| 129001-32330 | 2        | 11       |
| 129001-91841 | 2        | 22       |
| 129004-01190 | 1        | 33       |
| 129004-03010 | 4        | 39       |
| 129004-11100 | 4        | 10       |
| 129004-11650 | 4        | 31       |
| 129004-11900 | 4        | 21       |
| 129004-34801 | 9        | 1        |
| 129004-42001 | 10       | 1        |
| 129004-42040 | 10       | 15       |
| 129004-49610 | 10       | 33       |
| 129004-49620 | 10       | 37       |
| 129004-49711 | 10       | 34       |

| Parts No.    | Fig. No. | Ref. No. |
|--------------|----------|----------|
| 129004-49721 | 10       | 38       |
| 129004-55610 | 13       | 1        |
| 129005-22080 | 8        | 17       |
| 129005-22500 | 8        | 19       |
| 129005-22900 | 8        | 33       |
| 129005-22950 | 8        | 35       |
| 129005-59830 | 9        | 15       |
| 129006-35100 | 9        | 8        |
| 129006-44480 | 9        | 23       |
| 129052-79270 | 15       | 16       |
| 129100-01580 | 3        | 1        |
|              | 8        | 2        |
| 129100-01640 | 3        | 16       |
| 129100-11110 | 4        | 11       |
| 129100-23910 | 8        | 29       |
| 129100-42051 | 10       | 3        |
| 129100-42121 | 10       | 4        |
| 129100-55690 | 13       | 12       |
| 129100-77500 | 5        | 8        |
| 129100-77510 | 5        | 9        |
|              | 16       | 27       |
| 129103-49301 | 9        | 33       |
| 129107-44590 | 10       | 64       |
| 129136-77011 | 14       | 1        |
| 129136-77310 | 14       | 2        |
| 129136-77520 | 14       | 14       |
| 129150-01200 | 1        | 31       |
| 129150-02020 | 1        | 7        |
| 129150-02450 | 7        | 4        |
| 129150-02870 | 1        | 34       |
| 129150-02930 | 1        | 28       |
| 129150-02940 | 1        | 37       |
| 129150-03070 | 4        | 40       |
| 129150-11230 | 4        | 32       |
| 129150-11280 | 4        | 28       |
| 129150-11370 | 4        | 18       |
| 129150-11750 | 4        | 34       |
| 129150-11810 | 4        | 7        |
| 129150-14101 | 7        | 7        |
| 129150-14200 | 7        | 1        |
| 129150-14400 | 7        | 2        |
| 129150-23600 | 8        | 31       |
| 129150-23610 | 8        | 39       |
| 129150-25301 | 7        | 16       |
| 129150-35041 | 9        | 3        |
|              | 16       | 11       |
| 129150-35111 | 9        | 21       |
|              | 16       | 23       |
| 129150-35153 | 9        | 22       |

## Parts No. Index

| Parts No.    | Fig. No. | Ref. No. | Parts No.    | Fig. No. | Ref. No. | Parts No.    | Fig. No.     | Ref. No. | Parts No.    | Fig. No.     | Ref. No. |    |
|--------------|----------|----------|--------------|----------|----------|--------------|--------------|----------|--------------|--------------|----------|----|
| 129150-49080 | 10       | 59       | 129508-49040 | 9        | 28       | 129795-11180 | 4            | 13       | 158601-51770 | 17           | 90       |    |
| 129150-49100 | 10       | 58       | 129550-13110 | 6        | 2        | 129795-21661 | 8            | 10       | 158601-51790 | 17           | 92       |    |
| 129150-49360 | 10       | 44       |              | 16       | 9        | 129795-49551 | 10           | 28       | 171002-66830 | 18           | 60       |    |
|              | 16       | 29       | 129550-59120 | 12       | 30       |              | 16           | 13       | 171008-03990 | 9            | 25       |    |
| 129150-49811 | 10       | 26       | 129556-42350 | 10       | 20       | 129900-07900 | 4            | 54       | 171008-77450 | 14           | 8        |    |
|              | 16       | 14       |              |          | 20       | -2           | 129900-32130 | 2        | 9            | 171008-77510 | 14       | 13 |
| 129150-59120 | 12       | 26       | 129601-03080 | 5        | 1        | 129900-77400 | 14           | 3        | 171008-77540 | 14           | 15       |    |
| 129150-59131 | 12       | 29       | 129601-11241 | 4        | 25       | 129900-77440 | 14           | 6        | 171008-77650 | 14           | 20       |    |
|              |          | 33       | 129601-11251 | 4        | 29       | 129900-77450 | 14           | 7        | 171008-77660 | 14           | 24       |    |
| 129150-77511 | 5        | 10       | 129601-11310 | 4        | 47       |              |              | 11       | 171008-77670 | 14           | 25       |    |
|              | 16       | 8        |              | 16       | 7        | 129900-77460 | 14           | 9        | 171008-77750 | 14           | 31       |    |
| 129155-51280 | 18       | 5        | 129601-11350 | 4        | 38       | 129900-77480 | 14           | 10       | 171051-01921 | 1            | 6        |    |
| 129155-61460 | 18       | 24       | 129601-11700 | 4        | 1        | 129900-77640 | 14           | 19       | 171064-44510 | 10           | 45       |    |
| 129202-22300 | 8        | 23       | 129601-12100 | 5        | 3        | 129906-55700 | 13           | 11       | 171301-01640 | 3            | 9        |    |
| 129210-59090 | 13       | 4        | 129601-21001 | 8        | 1        | 129916-49740 | 10           | 13       | 171340-77520 | 5            | 11       |    |
| 129210-59150 | 13       | 7        | 129601-51250 | 11       | 4        | 129916-59020 | 17           | 126      | 22117-100000 | 6            | 10       |    |
| 129211-77920 | 15       | 31       | 129601-59810 | 12       | 35       | 129930-13200 | 6            | 14       | 22190-080002 | 9            | 17       |    |
| 129240-77200 | 15       | 2        | 129601-59820 | 12       | 39       |              | 16           | 30       |              | 16           | 18       |    |
| 129240-77710 | 15       | 26       | 129601-59830 | 12       | 43       | 129953-12620 | 5            | 23       |              | 16           | 16       |    |
| 129240-79300 | 15       | 27       | 129601-59840 | 12       | 47       | 158552-51151 | 7            | 18       | 22190-100002 | 9            | 19       |    |
| 129240-79310 | 15       | 3        | 129602-49010 | 10       | 53       | 158552-51570 | 17           | 68       |              | 16           | 26       |    |
| 129255-61410 | 18       | 21       |              |          | 53       | -2           |              | 69       | 22190-120000 | 18           | 63       |    |
| 129259-12570 | 5        | 22       | 129612-01600 | 3        | 2        | 158552-51580 | 17           | 72       | 22190-120002 | 17           | 100      |    |
| 129350-49530 | 10       | 27       | 129612-12560 | 5        | 27       | 158552-51600 | 17           | 83       |              | 101          |          |    |
| 129400-01730 | 3        | 6        | 129612-12590 | 5        | 29       | 158552-51670 | 17           | 4        |              | 102          |          |    |
| 129400-01770 | 3        | 8        | 129612-12681 | 5        | 16       | 158552-51780 | 17           | 91       | 22190-180002 | 17           | 103      |    |
| 129400-77490 | 14       | 12       | 129612-12691 | 5        | 17       | 158552-52100 | 17           | 98       |              | 104          |          |    |
| 129400-77571 | 14       | 18       | 129612-42290 | 10       | 21       | -1           | 158552-52310 | 17       | 99           | 22217-100000 | 6        | 11 |
| 129400-92430 | 16       | 31       | 129612-49030 | 10       | 53       | 158552-52400 | 17           | 114      | 22217-140000 | 7            | 19       |    |
| 129403-42380 | 10       | 20       | -1           | 10       | 54       | 158552-52500 | 17           | 98       | A            | 17           | 105      |    |
| 129407-01340 | 1        | 32       | 129612-52100 | 13       | 10       | 158552-61441 | 18           | 23       | 22252-000260 | 8            | 24       |    |
|              | 16       | 2        | 129640-13109 | 6        | 1        | 158553-51551 | 17           | 65       | 22312-050140 | 17           | 106      |    |
| 129407-12110 | 5        | 5        | 129640-53001 | 12       | 2        | 158553-51630 | 17           | 84       | 22351-030010 | 8            | 8        |    |
|              | 16       | 22       | 129642-12210 | 5        | 33       | 158553-51640 | 17           | 86       | 22351-050010 | 17           | 107      |    |
| 129410-03990 | 5        | 2        | 129642-12240 | 5        | 34       | 158553-51660 | 17           | 88       | 22351-060012 | 4            | 22       |    |
| 129417-33110 | 9        | 7        | 129642-13520 | 6        | 15       | 158553-51670 | 17           | 77       | 22512-070140 | 7            | 8        |    |
| 129417-35150 | 9        | 10       | 129642-13530 | 6        | 7        | 158553-51680 | 17           | 89       |              | 8            | 6        |    |
| 129418-32320 | 2        | 10       | 129642-13590 | 6        | 8        | 158553-51770 | 17           | 118      | 22857-500100 | 4            | 48       |    |
| 129436-35091 | 9        | 4        | 129642-13650 | 6        | 18       | 158553-61050 | 18           | 2        |              | 49           |          |    |
| 129457-49801 | 10       | 25       | 129642-13660 | 6        | 19       | 158553-61070 | 18           | 3        | 23000-060000 | 5            | 26       |    |
| 129467-44580 | 10       | 65       | 129642-21590 | 8        | 13       | 158557-51570 | 17           | 70       |              | 32           |          |    |
| 129467-44590 | 10       | 66       | 129642-44500 | 10       | 63       | 158560-51300 | 17           | 49       |              | 35           |          |    |
| 129486-01670 | 3        | 19       | 129642-61060 | 18       | 97       | 158563-51281 | 17           | 47       | 23010-038000 | 10           | 55       |    |
| 129486-42021 | 10       | 14       | 129655-44740 | 10       | 22       |              |              | 48       | 23010-044000 | 10           | 56       |    |
|              | 16       | 12       | 129688-01780 | 3        | 8        | -1           | 158563-51330 | 17       | 57           | 23065-070225 | 10       | 50 |
| 129486-42140 | 10       | 16       | 129795-01780 | 3        | 18       | 158600-51270 | 17           | 46       | 23080-015000 | 9            | 27       |    |
|              | 16       | 21       | 129795-01900 | 15       | 29       | 158601-51340 | 17           | 58       |              | 31           |          |    |
| 129486-59551 | 12       | 55       | 129795-01950 | 2        | 16       | 158601-51550 | 17           | 66       | 23080-018000 | 9            | 32       |    |
| 129508-33010 | 9        | 6        | 129795-02411 | 1        | 14       | 158601-51570 | 17           | 71       | 23414-080000 | 10           | 30       |    |
| 129508-49030 | 9        | 24       | 129795-11120 | 4        | 12       | 158601-51650 | 17           | 87       |              | 16           | 28       |    |

## Parts No. Index

| Parts No.    | Fig. No. | Ref. No. |
|--------------|----------|----------|
| 23857-030000 | 9        | 16       |
| 23857-060000 | 17       | 110      |
| 23876-010000 | 10       | 11       |
| 23876-020000 | 10       | 12       |
| 23876-030000 | 2        | 4        |
| 23876-040000 | 2        | 5        |
| 23887-120002 | 17       | 111      |
|              | 18       | 65       |
| 24311-000070 | 17       | 113      |
| 24311-000120 | 4        | 53       |
|              | 16       | 18       |
| 24311-000160 | 13       | 14       |
| 24311-000320 | 2        | 23       |
|              | 4        | 51       |
|              | 16       | 19       |
| 24321-000650 | 13       | 13       |
| 24341-000240 | 2        | 28       |
|              | 16       | 20       |
| 24341-000250 | 3        | 11       |
|              | 16       | 24       |
| 24341-000280 | 18       | 82       |
| 24356-010180 | 17       | 115      |
| 24356-010200 | 17       | 80       |
|              |          | 116      |
| 24372-000150 | 17       | 81       |
| 25152-003700 | 10       | 21       |
|              |          | 21 -2    |
| 26013-080222 | 5        | 30       |
|              |          | 31       |
| 26106-060102 | 17       | 117      |
|              | 18       | 53       |
|              |          | 67       |
| 26106-060142 | 18       | 83       |
|              |          | 84       |
| 26106-060162 | 2        | 29       |
| 26106-060202 | 18       | 85       |
| 26106-060302 | 10       | 41       |
| 26106-060322 | 14       | 29       |
| 26106-060402 | 14       | 30       |
| 26106-080122 | 10       | 24       |
| 26106-080142 | 4        | 55       |
|              | 7        | 17       |
| 26106-080162 | 2        | 24       |
|              |          | 25       |
|              | 3        | 12       |
|              | 10       | 18       |
|              | 11       | 2        |
| 26106-080202 | 5        | 6        |
|              | 9        | 11       |
|              | 11       | 3        |

| Parts No.    | Fig. No. | Ref. No. |
|--------------|----------|----------|
| 26106-080222 | 10       | 29       |
| 26106-080252 | 3        | 13       |
|              | 4        | 36       |
| 26106-080302 | 13       | 3        |
| 26106-080352 | 3        | 20       |
|              | 4        | 24       |
|              | 9        | 5        |
| 26106-080402 | 5        | 12       |
|              | 7        | 14       |
| 26106-080452 | 3        | 14       |
|              |          | 14 -1    |
|              | 10       | 42       |
|              | 15       | 33       |
| 26106-080502 | 3        | 22       |
|              | 4        | 37       |
| 26106-080552 | 2        | 26       |
| 26106-080602 | 10       | 19       |
| 26106-080802 | 5        | 7        |
|              |          | 13       |
| 26106-100202 | 6        | 17       |
| 26106-100652 | 6        | 12       |
| 26116-120252 | 14       | 32       |
| 26206-100252 | 3        | 4        |
| 26206-100302 | 3        | 5        |
| 26226-080182 | 4        | 35       |
| 26306-080002 | 2        | 31       |
|              | 6        | 3        |
|              |          | 16       |
| 26306-100002 | 15       | 28       |
| 26366-060002 | 9        | 20       |
| 26450-080452 | 17       | 123      |
| 26706-100002 | 6        | 13       |
| 26756-060002 | 18       | 68       |
| 26776-140002 | 7        | 20       |
|              | 17       | 124      |
| 27241-120000 | 1        | 12       |
| 27241-300000 | 1        | 13       |
| 27241-400000 | 4        | 9        |
| 27310-080001 | 4        | 14       |
| 28110-100120 | 16       | 35       |
| 28110-140170 | 16       | 36       |
| 729233-01500 | 2        | 1        |
| 729402-14580 | 7        | 3        |
| 729402-23100 | 8        | 25       |
| 729601-92700 | 16       | 1        |
| 729602-01560 | 1        | 1        |
| 729642-51410 | 11       | 1        |
|              | 17       | 1        |
| 729642-53100 | 12       | 1        |
| 977770-01212 | 2        | 30       |

| Parts No.    | Fig. No. | Ref. No. |
|--------------|----------|----------|
| 977770-01212 | 3        | 21       |
|              | 4        | 56       |
|              | 16       | 32       |
| X2114255110  | 14       | 5        |
| X2114555500  | 14       | 21       |
| X2114955020  | 14       | 22       |
| X2130350900  | 14       | 4        |
| X2240410100  | 14       | 23       |

| Parts No. | Fig. No. | Ref. No. |
|-----------|----------|----------|
|-----------|----------|----------|