

0CD10-M90700EN

PREFACE

1. This parts catalog is the first edition of 4TNV88-QTBC for Takeuchi Mfg. Co., Ltd.

Pub. No.: 000 Y00D9070

Published: Jun.,2006

2. Model name

Engine model	Vehicle		Vehicle Made by
	Products	Model name	
4TNV88-QTBC	EXCAVATOR	A9C (Chinese spec.)	Takeuchi Mfg. Co., Ltd.

Directions for the Parts Catalog.

1. This Parts Catalog shows both standard and optional parts.
2. Parts may change without prior notice.
3. The following is an example of the Parts Catalog format.

REF.	LEV.	PARTS NO.	DESCRIPTION	Q'TY						I	R
				(A)	(B)	(C)	(D)	(E)	(F)		
1	1	729595-51390	FUEL INJECTION PUMP	1	1	1	1	1			1
1-1	1	729595-51391	FUEL INJECTION PUMP	1	1	1	1	1		N	1
		(A=E00185) (B=E00200)									
3	2	26022-060162	SCREW M 6X 16	9	9	9	9	9			
3-1	2	26022-060162	SCREW M 6X 16	4	4	4	4	4		K	
		(A=E00156) (B=E00156) (C=E00156) (D=E00156) (E=E00156)									
4	2	129470-51040	CAMSHAFT	1	1	1	1	1			
5	2	122710-51050	BEARING, ROLLER	2	2	2	2	2			
6	2	129470-51060	RETAINER	1	1	1	1	1			

Remarks
(1) BOOST COMPEMSATOR TYPE. OPTIONAL PART, TO E00155,(4JH-DT, 4JH-DTZ

① Ref. No.

The Ref. No. listed may not be in accordance with the illustration Ref. No.

(Ex.) Illustration No.

List Ref No.

1 1 (Before change) → 1-1 (After change)

For interchangeable symbols N, R and K, illustrations for new parts may be abbreviated.

② Lev. (Level)

Level indication

The numbers below indicate the level of relativity towards the main part.

1 ---- Main parts (Assembly parts)

2 ---- Sub component included in " 1 ".

3 ---- Sub component included in " 2 ".

Note) Parts that are not for sale are partially illustrated but not listed.

③ Interchangeability Symbol

When a part change takes place, one of the following interchangeability symbols is indicated beside the part.

Symbol	Interchangeability	Contents note
N	Old $\begin{matrix} \leftarrow \text{Yes} \\ \text{No} \rightarrow \end{matrix}$ New	New Part is interchangeable for Old Part but Old Part is not interchangeable for New Part.
Q	Old $\begin{matrix} \leftarrow \text{No} \\ \text{Yes} \rightarrow \end{matrix}$ New	New Part is not interchangeable for Old Part but Old Part is interchangeable for New Part.
R	Old $\begin{matrix} \leftarrow \text{Yes} \\ \text{Yes} \rightarrow \end{matrix}$ New	New/ Old Parts are both interchangeable.
S	Old $\begin{matrix} \leftarrow \text{No} \\ \text{No} \rightarrow \end{matrix}$ New	New/ Old Parts are both not interchangeable.
W		Part newly added.
Z		Part discontinued.
F		Not interchangeable by a single part but interchangeable together with related parts.
K		Changes only for used parts quantities.

④ Effective Machine No.

When a part changes, the effective Machine No. will be indicated in the (A)-(F) column.

Product Symbol	Product No.	Product Symbol	Product No.
C	Clutch No. Compressor No.	F	Machine No. (Agricultural Equip.)
D	Drive No.	M	Machine No.
E	Engine No.		

Note 1) A date may follow the symbol. (Ex.) 1996.01

Note 2) "XXXXX" and "ZZZZZ" are for parts that could not be predicted or for engine models that could not be identified.

Note 3) (A=E00185) is the E (Engine Serial Number) for the column (A) model (in this case 4JH-DT) after the parts design change.

⑤ Remarks

Figures or alphabets (symbols) are entered in the remarks column.

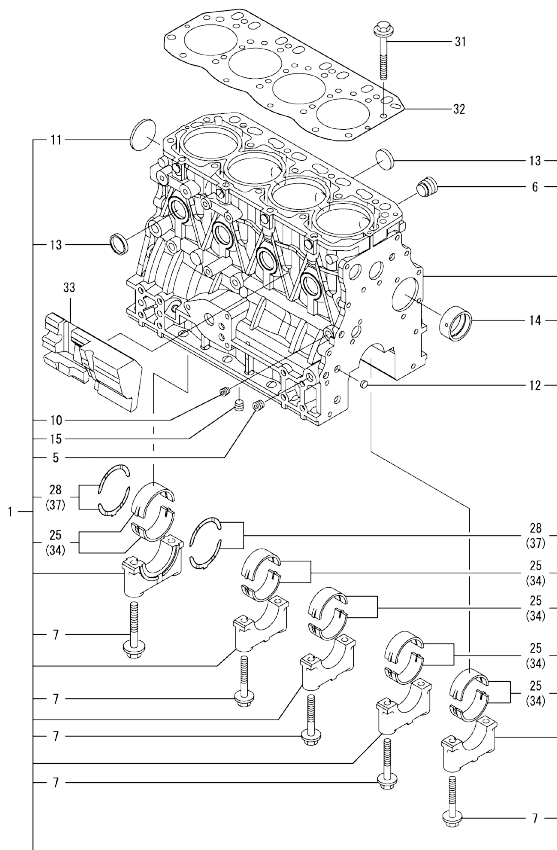
The comments (remarks) on parts that are indicated at the bottom of the illustration are the same symbols as those stated above.

Contents

OCD10-M90700

Fig. No.	Fig. Name	Fig. No.	Fig. Name
4	TNV88-QTBC		
1.	CYLINDER BLOCK		
2.	GEAR HOUSING		
3.	FYLWHEEL HOUSING & OIL SUMP		
4.	CYLINDER HEAD & BONNET		
5.	SUCTION MANIFOLD & AIR CLEANER		
6.	EXHAUST MANIFOLD & SILENCER		
7.	CAMSHAFT & DRIVING GEAR		
8.	CRANKSHAFT & PISTON		
9.	LUB.OIL SYSTEM		
10.	COOLING WATER SYSTEM		
11.	FUEL INJECTION PUMP		
12.	GOVERNOR		
13.	FUEL INJECTION VALVE		
14.	FUEL LINE		
15.	STARTING MOTOR		
16.	GENERATOR		
17.	TOOLS & GASKET SET		

Fig.1. CYLINDER BLOCK



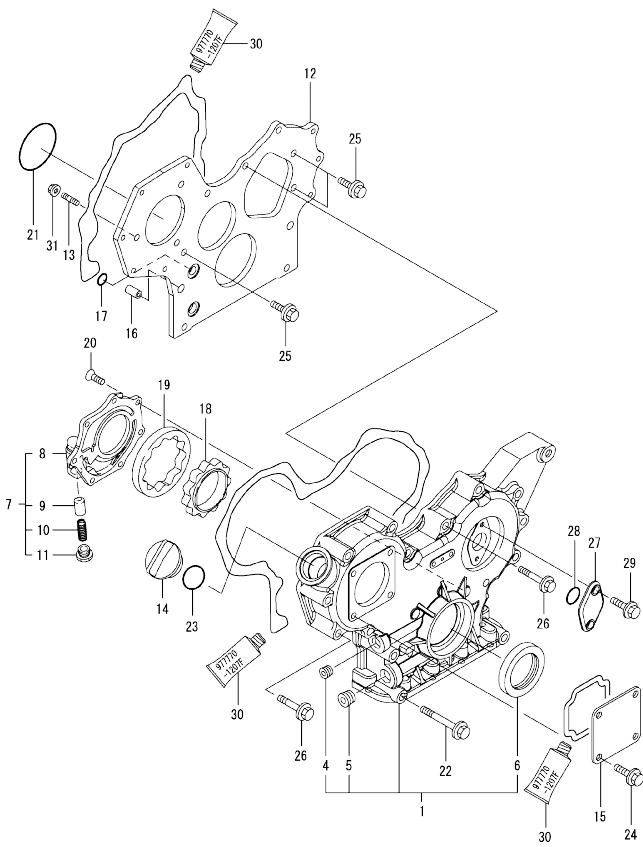
(A)=4TNV88-QTBC
(B)=
(C)=

(D)=
(E)=
(F)=

No.	Lev.	Parts No.	Description	Q'ty						I	R
				(A)	(B)	(C)	(D)	(E)	(F)		
1	1	729602-01560	BLOCK ASSY, CYLINDER	1							
5	2	124160-01910	PLUG, PT1/4	2							
6	2	171051-01921	PLUG, NPTF1	1							
7	2	129150-02020	BOLT, METAL CAP	10							
10	2	124060-01050	PLUG, PT1/8	1							
11	2	129001-01250	PLUG, 50	1							
12	2	27241-120000	PLUG, 12	2							
13	2	27241-300000	PLUG 30	8							
14	2	129795-02412	BUSH, CAMSHAFT	1							
15	2	124160-01910	PLUG, PT1/4	1							
25	2	129001-02931	BEARING, MAIN	5							3
28	2	129150-02931	BEARING, THRUST	2							
31	1	129150-01200	BOLT, HEAD	18							
32	1	129407-01340	GASKET, HEAD	1							
33	1	129004-01190	SPACER	1							
34	1	129150-02871	BEARING, 0.25 US	5							1
37	1	129150-02941	BEARING, THRUST 0.25	1							2

Remarks
 (1) UNDER-SIZE(U.S=0.25)PART.
 (2) OVER-SIZE(O.S=0.25)PART.
 (3) REPAIR PART.

OCD10-M90700 4TNV88-QTBC
 Fig.2. GEAR HOUSING



OCD10-M90700 Fig.2

(A)=4TNV88-QTBC
 (B)=
 (C)=

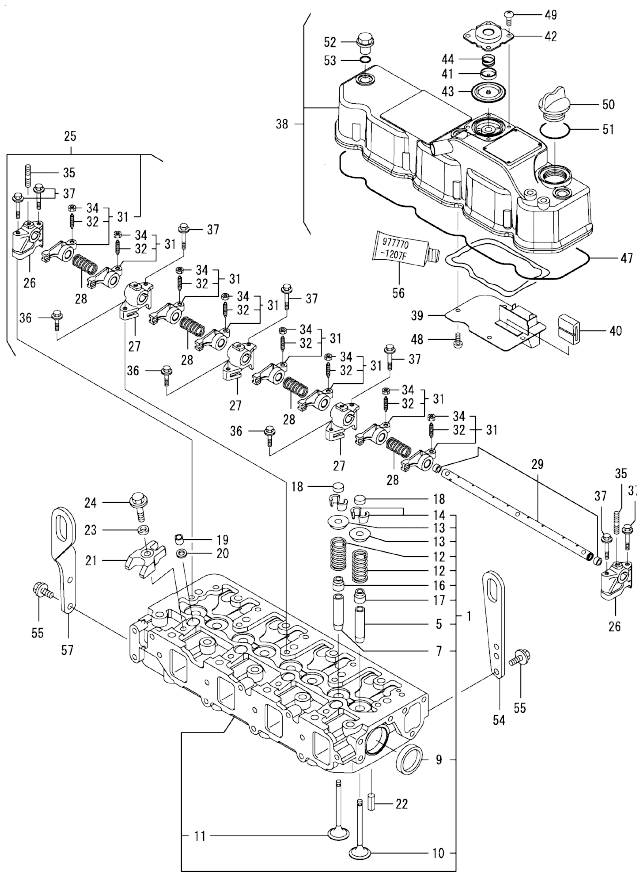
(D)=
 (E)=
 (F)=

No.	Lev.	Parts No.	Description	Q'ty						I	R
				(A)	(B)	(C)	(D)	(E)	(F)		
1	1	729240-01500	CASE ASSY, GEAR	1							
4	2	23876-030000	PLUG, R03	1							
5	2	23876-040000	PLUG, R04	1							
6	2	119934-01800	SEAL, OIL	1							
7	1	119802-32100	COVER ASSY	1							
8	2	119802-32070	COVER	1							
9	2	129900-32130	VALVE, RELIEF	1							
10	2	129418-32320	SPRING	1							
11	2	129001-32330	PLUG	1							
12	1	119802-01520	FLANGE, GEAR CASE	1							
13	1	119802-01561	STUD, M8X25	3							
14	1	124160-01751	COVER, FILLER	1							
15	1	124240-01871	COVER	1							
16	1	129795-01950	PIPE, KNOCK L=18	2							
17	1	119609-32040	O-RING, P16	4							
18	1	119802-32111	ROTOR, INNER	1							
19	1	119802-32120	ROTOR, OUTER	1							
20	1	119802-32130	SCREW, M6X16	7							
21	1	121850-51960	O-RING	1							
22	1	129001-91841	BOLT, M8X85	3							
23	1	24311-000320	O-RING, 1AP32.0	1							
24	1	26106-080162	BOLT, M8X 16 PLATED	4							
25	1	26106-080162	BOLT, M8X 16 PLATED	3							
26	1	26106-080552	BOLT, M8X 55 PLATED	12							
27	1	121023-01551	COVER	1							
28	1	24341-000240	O-RING, 1AS24.0	1							
29	1	26106-060162	BOLT, M6X 16 PLATED	2							
30	1	977770-1207F	GASKET, LIQUID	1							1
31	1	26306-080002	NUT, M8	3							

Remarks
 (1) OPTIONAL PART.

N:Old $\frac{New}{Old}$ New, Q:Old $\frac{New}{Old}$ New, R:Old $\frac{New}{Old}$ New, S:Old $\frac{New}{Old}$ New, W:Add, Z:Discontinued, F:Interchangeable by set, K:Qty Change
 Copyright (C) YANMAR CO., LTD. All Rights Reserved.

Fig.4. CYLINDER HEAD & BONNET



(A)=4TNV88-QTBC
(B)=
(C)=

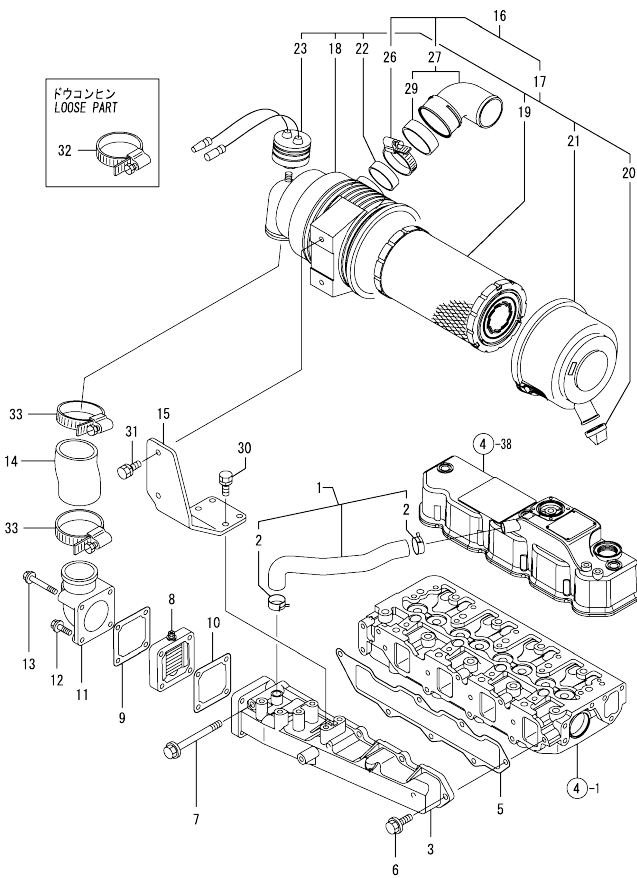
(D)=
(E)=
(F)=

No.	Lev.	Parts No.	Description	Q'ty						I	R
				(A)	(B)	(C)	(D)	(E)	(F)		
1	1	129601-11700	HEAD ASSY, CYLINDER	1							
5	2	120130-11860	GUIDE, VALVE	4							1
7	2	129150-11810	GUIDE, VALVE	4							1
9	2	27241-400000	PLUG, 40	2							
10	2	129004-11130	VALVE, INTAKE	4							
11	2	129100-11112	VALVE, EXHAUST	4							
12	2	129795-11120	SPRING, VALVE	8							
13	2	129795-11180	RETAINER, SPRING	8							
14	2	27310-080001	COTTER, 8	8							
16	2	121400-11340	SEAL, VALVE STEM	4							
17	2	124460-11340	SEAL, VALVE STEM	4							
18	1	129150-11370	CAP, VALVE	8							
19	1	119802-11870	PROTECTOR, NOZZLE	4							
20	1	119625-11880	SEAT, NOZZLE	4							
21	1	129004-11900	RETAINER, NOZZLE	4							
22	1	22351-060012	PIN, SPRING 6.0X12	2							
23	1	120270-54410	WASHER, INJECTOR	4							
24	1	26106-080352	BOLT, M8X 35 PLATED	4							
25	1	129601-11241	SHAFT ASSY, ROCKER	1							
26	2	119802-11260	SUPPORT, ROCKER ARM	2							
27	2	119802-11270	SUPPORT, ROCKER ARM	3							
28	2	129150-11280	SPRING	4							
29	2	129601-11251	SHAFT, ROCKER ARM	1							
31	2	129004-11650	ARM, ROCKER	8							
32	3	129150-11230	SCREW, VALVE ADJUST	8							
34	3	129150-11750	NUT, M8	8							
35	2	26226-080182	STUD, M8X 18	3							
36	1	26106-080252	BOLT, M8X 25 PLATED	3							
37	1	26106-080502	BOLT, M8X 50 PLATED	7							
38	1	129601-11350	BONNET ASSY, HEAD	1							
39	2	129004-03010	PLATE	1							
40	2	129150-03070	BAFFLE, BREATHER	1							
41	2	119802-03110	PLATE	1							
42	2	119802-03121	COVER, DIAPHRAGM	1							
43	2	119802-03130	DIAPHRAGM	1							
44	2	119802-03141	SPRING, DIAPHRAGM	1							
47	2	129601-11310	GASKET, BONNET	1							
48	2	22857-500100	SCREW, 5X10	4							
49	2	22857-500100	SCREW, 5X10	4							
50	1	124160-01751	COVER, FILLER	1							
51	1	24311-000320	O-RING, 1AP32.0	1							
52	1	124160-11360	KNOB	3							
53	1	24311-000120	O-RING, 1AP12.0	3							
54	1	129900-07900	LIFTER	1							
55	1	26106-080142	BOLT, M8X 14 PLATED	4							
56	1	977770-1207F	GASKET, LIQUID	1							2
57	1	129910-07900	LIFTER	1							

Remarks

- (1) REPAIR PARTS.
- (2) OPTIONAL PART.

Fig.5. SUCTION MANIFOLD & AIR CLEANER

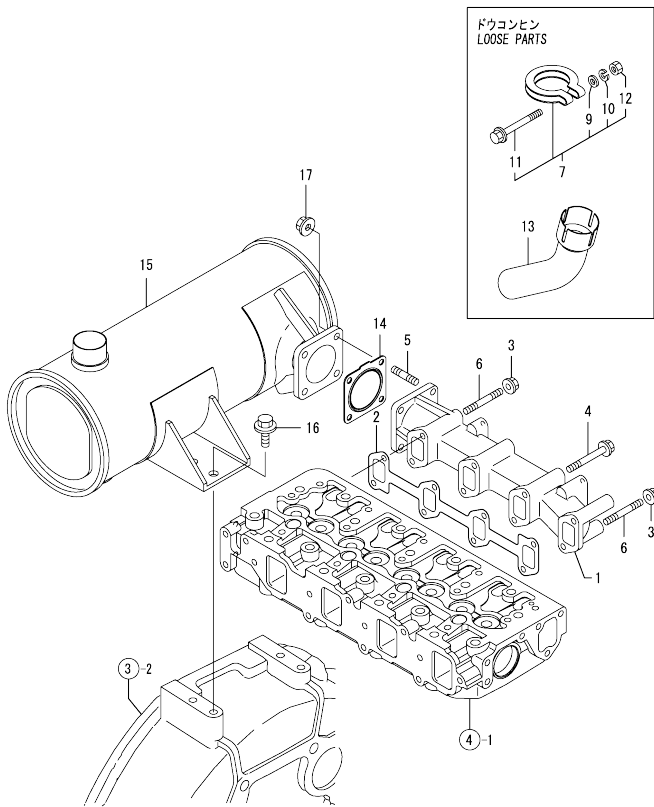


(A)=4TNV88-QTBC
(B)=
(C)=

(D)=
(E)=
(F)=

No.	Lev.	Parts No.	Description	Q'ty					
				(A)	(B)	(C)	(D)	(E)	(F)
1	1	129601-03080	PIPE , BREATHER	1					
2	2	129410-03990	CLAMP 22	2					
3	1	129601-12100	MANIFOLD, AIR INTAKE	1					
5	1	129407-12110	GASKET, MANIFOLD	1					
6	1	26106-080202	BOLT, M8X 20 PLATED	6					
7	1	26106-080802	BOLT, M8X 80 PLATED	1					
8	1	129100-77500	HEATER, AIR 12V	1					
9	1	129100-77510	GASKET, AIR HEATER	1					
10	1	129150-77511	GASKET	1					
11	1	171340-77520	BEND	1					
12	1	26106-080402	BOLT, M8X 40 PLATED	2					
13	1	26106-080802	BOLT, M8X 80 PLATED	2					
14	1	119910-12210	PIPE, AIR INTAKE	1					
15	1	119802-12560	BRACKET, AIR CLEANER	1					
16	1	129612-12681	CLEANER ASSY, AIR	1					
17	2	129612-12691	CLEANER ASSY, AIR	1					
18	3	119910-12510	BODY, AIR CLEANER	1					
19	3	119808-12520	ELEMENT	1					
20	3	119808-12540	VALVE, UNLOADER	1					
21	3	119866-12541	COVER ASSY	1					
22	3	129259-12570	RING	1					
23	3	129953-12620	INDICATOR ASSY	1					
26	2	23000-060000	CLAMP, 60	1					
27	2	129612-12560	ELBOW	1					
29	3	129612-12590	GASKET	1					
30	1	26013-080222	BOLT, M8X 22	4					
31	1	26013-080222	BOLT, M8X 22	2					
32	1	23000-060000	CLAMP, 60	1					
33	1	23000-060000	CLAMP, 60	2					

Fig.6. EXHAUST MANIFOLD & SILENCER

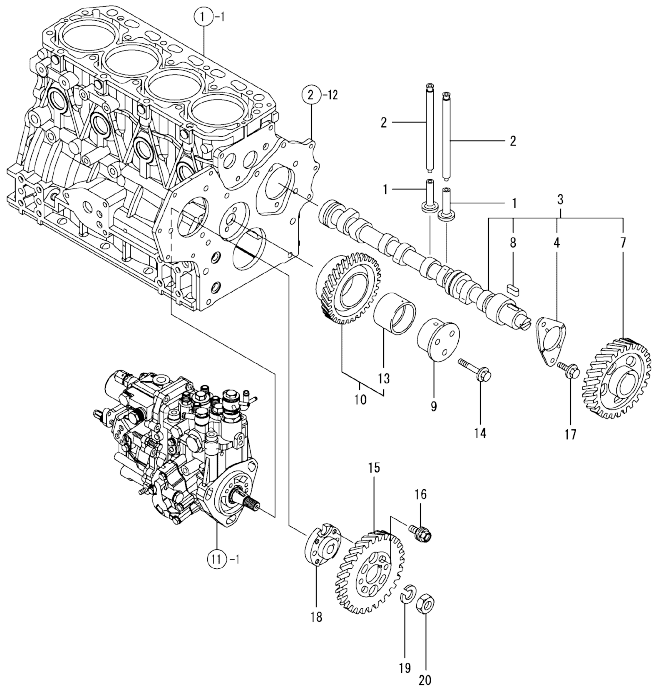


(A)=4TNV88-QTBC
(B)=
(C)=

(D)=
(E)=
(F)=

No.	Lev.	Parts No.	Description	Q'ty						I	R
				(A)	(B)	(C)	(D)	(E)	(F)		
1	1	129640-13109	MANIFOLD, EXHAUST	1							
2	1	129550-13110	GASKET	1							
3	1	26306-080002	NUT, M8	2							
4	1	123900-13630	BOLT, M8X80	6							
5	1	119131-18320	STUD, M8X22	4							
6	1	123900-13610	STUD, M8X80	2							
7	1	129642-13590	CLAMP ASSY	1							
9	2	22117-100000	WASHER, 10	1							
10	2	22217-100000	WASHER, SPRING 10	1							
11	2	26106-100652	BOLT, M10X 65 PLATED	1							
12	2	26706-100002	NUT, M10	1							
13	1	129642-13650	PIPE	1							
14	1	129930-13201	GASKET, SILENCER	1							
15	1	129642-13520	SILENCER	1							
16	1	26106-100202	BOLT, M10X 20 PLATED	2							
17	1	26306-080002	NUT, M8	4							

Fig.7. CAMSHAFT & DRIVING GEAR



(A)=4TNV88-QTBC
(B)=
(C)=

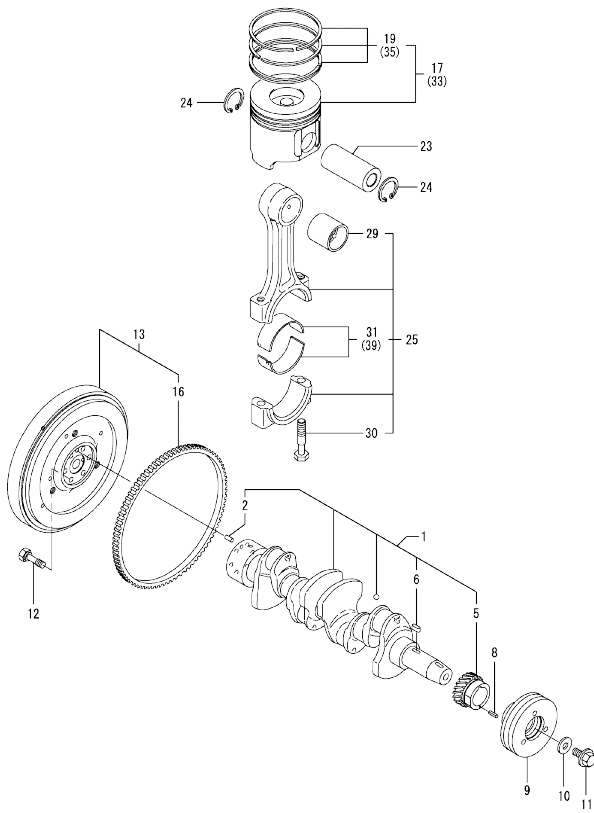
(D)=
(E)=
(F)=

No.	Lev.	Parts No.	Description	Q'ty						I	R
				(A)	(B)	(C)	(D)	(E)	(F)		
1	1	129150-14200	TAPPET	8							
2	1	129150-14400	ROD, PUSH L=178	8							
3	1	729402-14580	CAMSHAFT ASSY	1							
4	2	129150-02450	BEARING, THRUST	1							
7	2	129150-14101	GEAR, CAMSHAFT	1							
8	2	22512-070140	KEY, 7X 14	1							
9	1	119802-25051	SHAFT, IDLE	1							
10	1	119802-25101	GEAR ASSY, IDLE	1							
13	2	119802-25071	BUSH, IDLE GEAR	1							1
14	1	26106-080402	BOLT, M8X 40 PLATED	3							
15	1	119802-25901	GEAR, PUMP	1							
16	1	129150-25301	BOLT	4							
17	1	26106-080142	BOLT, M8X 14 PLATED	2							
18	1	158552-51151	FLANGE	1							
19	1	22217-140000	WASHER, SPRING 14	1							
20	1	26776-140002	NUT, LOCK M14	1							

Remarks
(1) REPAIR PART.

N:Old $\frac{100}{100}$ New, Q:Old $\frac{100}{100}$ New, R:Old $\frac{100}{100}$ New, S:Old $\frac{100}{100}$ New, W:Add, Z:Discontinued, F:Interchangeable by set, K:Q'ty Change
Copyright (C) YANMAR CO., LTD. All Rights Reserved.

Fig.8. CRANKSHAFT & PISTON



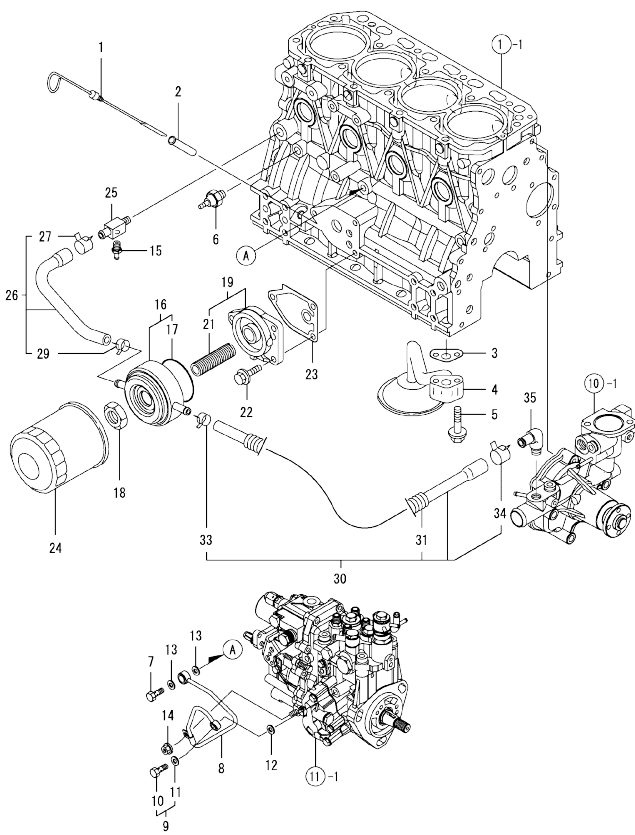
(A)=4TNV88-QTBC
(B)=
(C)=

(D)=
(E)=
(F)=

No.	Lev.	Parts No.	Description	Q'ty						I	R
				(A)	(B)	(C)	(D)	(E)	(F)		
1	1	129601-21002	CRANKSHAFT ASSY	1							
2	2	129100-01580	PIN, M8X16	1							
5	2	119802-21202	GEAR, CRANKSHAFT	1							
6	2	22512-070140	KEY, 7X 14	1							
8	1	22351-030010	PIN, SPRING 3.0X10	1							
9	1	119802-21660	V-PULLEY, 120	1							
10	1	129795-21661	WASHER	1							
11	1	121850-21680	BOLT	1							
12	1	121111-21501	BOLT, FLYWHEEL	6							
13	1	129642-21590	FLYWHEEL ASSY	1							
16	2	119865-21600	GEAR, RING	1							
17	1	129005-22080	PISTON ASSY	4							
19	2	129005-22500	RING SET, PISTON	4							
23	1	129202-22300	PIN, PISTON D26 L70	4							
24	1	22252-000260	RING, 26	8							
25	1	729402-23100	ROD ASSY, CONNECTING	4							
29	2	129100-23910	BEARING, PISTON PIN	4							1
30	2	121550-23200	BOLT, CONNECTING ROD	8							
31	2	129150-23601	BEARING, CRANK PIN	4							
33	1	129005-22900	PISTON ASSY, 0.25 OS	4							2
35	2	129005-22950	RING SET, 0.25 OS	4							2
39	1	129150-23611	BEARING, 0.25 US	4							3

Remarks
(1) REPAIR PART.
(2) OVER-SIZE(O.S=0.25)PART.
(3) UNDER-SIZE(U.S=0.25)PART.

Fig.9. LUB.OIL SYSTEM



(A)=4TNV88-QTBC
(B)=
(C)=

(D)=
(E)=
(F)=

No.	Lev.	Parts No.	Description	Q'ty						I	R
				(A)	(B)	(C)	(D)	(E)	(F)		
1	1	129004-34802	DIPSTICK, OIL	1							
2	1	121520-34810	GUIDE, DIPSTICK	1							
3	1	129150-35042	GASKET	1							
4	1	129436-35091	PIPE ASSY, OIL INLET	1							
5	1	26106-080352	BOLT, M8X 35 PLATED	2							
6	1	114250-39450	SWITCH, 0.5KG	1							
7	1	124160-39140	BOLT, PIPE JOINT M10	1							
8	1	119802-39450	PIPE ASSY, OIL	1							
9	1	129005-59830	BOLT ASSY, JOINT M8	1							
10	2	23857-030000	BOLT, JOINT 3	1							
11	2	22190-080002	WASHER, SEAL 6	1							
12	1	22190-080002	WASHER, SEAL 6	1							
13	1	22190-100002	WASHER, SEAL 10	2							
14	1	26366-060002	NUT, M6	1							
15	1	121550-49111	JOINT, PT1/4	1							
16	1	129508-33010	COOLER ASSY, OIL	1							
17	2	129508-33050	O-RING	1							
18	1	129417-33110	NUT	1							
19	1	129006-35100	BRACKET ASSY, FILTER	1							
21	2	129417-35150	STUD, L=67	1							
22	1	26106-080202	BOLT, M8X 20 PLATED	3							
23	1	129150-35111	GASKET	1							
24	1	119005-35151	FILTER, D80X100L	1							1
25	1	129006-44480	JOINT	1							
26	1	129508-49030	PIPE ASSY, WATER	1							
27	2	171008-03990	CLIP, HOSE 18.5	1							
29	2	23080-015000	CLAMP, 15	1							
30	1	129508-49040	PIPE ASSY, WATER	1							
31	2	119940-59130	TUBE, CORRUGATED	1							
33	2	23080-015000	CLAMP, 15	1							
34	2	23080-018000	CLAMP, 18	1							
35	1	129103-49301	ELBOW, PT1/4	1							

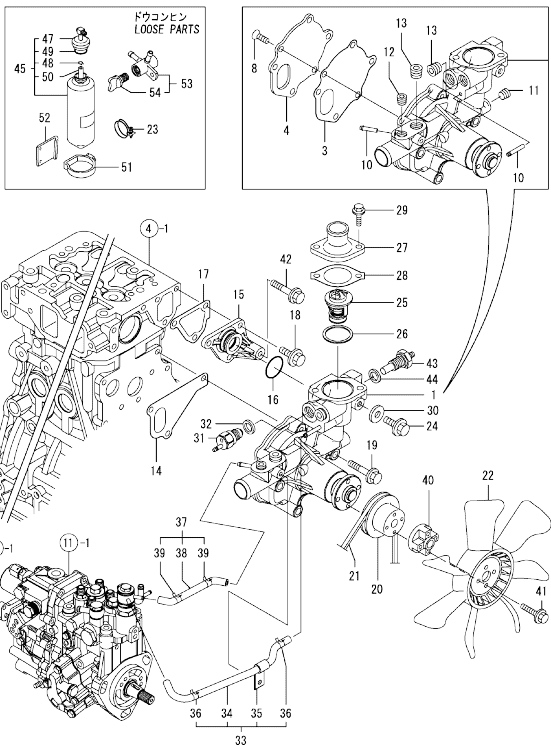
Remarks
(1) REPAIR PART.

N:Old $\frac{100}{100}$ New, Q:Old $\frac{100}{100}$ New, R:Old $\frac{100}{100}$ New, S:Old $\frac{100}{100}$ New, W:Add, Z:Discontinued, F:Interchangeable by set, K:Qty Change
Copyright (C) YANMAR CO., LTD. All Rights Reserved.

Fig.10. COOLING WATER SYSTEM

(A)=4TNV88-QTBC
(B)=
(C)=

(D)=
(E)=
(F)=



No.	Lev.	Parts No.	Description	Q'ty						I	R
				(A)	(B)	(C)	(D)	(E)	(F)		
1	1	129004-42001	PUMP ASSY, WATER	1							
3	2	129100-42051	GASKET, WATER PUMP	1							
4	2	129100-42121	PLATE	1							
8	2	121850-42410	SCREW	3							
10	2	119802-49113	JOINT, PIPE	2							
11	2	23876-010000	PLUG, R01	1							
12	2	23876-020000	PLUG, R02	1							
13	2	129916-49740	PLUG, R03	2							
14	1	129486-42021	GASKET, WATER PUMP	1							
15	1	129004-42040	JOINT	1							
16	1	129486-42140	O-RING, G30	1							
17	1	124395-49840	GASKET	1							
18	1	26106-080162	BOLT, M8X 16 PLATED	3							
19	1	26106-080602	BOLT, M8X 60 PLATED	3							
20	1	129155-42350	V-PULLEY	1							
20-1	1	129403-42380	V-PULLEY, D=110	1						S	1
(A=EZZZZZ)											
20-2	1	129556-42350	V-PULLEY, 96	1							S 2
(A=EZZZZZ)											
21	1	25152-003700	V-BELT, A37	1							
21-1	1	129612-42290	V-BELT, A37.5	1							S 1
(A=EZZZZZ)											
21-2	1	25152-003700	V-BELT, A37	1							S 2
(A=EZZZZZ)											
22	1	129655-44740	FAN, COOLING D380	1							
23	1	23010-038000	CLAMP, 38	2							
24	1	26106-080122	BOLT, M8X 12 PLATED	1							
25	1	129457-49801	THERMOSTAT, 82	1							
26	1	129150-49811	GASKET, THERMOSTAT	1							
27	1	129350-49530	COVER, THERMOSTAT	1							
28	1	129795-49551	GASKET	1							
29	1	26106-080222	BOLT, M8X 22 PLATED	2							
30	1	23414-080000	GASKET, 8X1.0	1							
31	1	121250-44901	SWITCH, 110	1							
32	1	124465-44950	GASKET, 16	1							
33	1	129004-49610	PIPE ASSY, WATER	1							
34	2	129004-49711	PIPE ASSY, WATER	1							
35	2	119802-49730	RETAINER, PIPE	1							
36	2	124722-59050	CLIP, HOSE 9	2							
37	1	129004-49620	PIPE ASSY, WATER	1							
38	2	129004-49721	PIPE ASSY, WATER	1							
39	2	124722-59050	CLIP, HOSE 9	2							
40	1	121267-44760	SPACER	1							
41	1	26106-060302	BOLT, M6X 30 PLATED	4							
42	1	26106-080452	BOLT, M8X 45 PLATED	1							
43	1	119266-49350	SWITCH	1							
44	1	129150-49360	GASKET	1							
45	1	171064-44510	TANK ASSY, SUB	1							
47	2	121450-44531	CAP	1							
48	2	124450-44560	RETAINER	1							
49	2	121470-44581	GASKET	1							

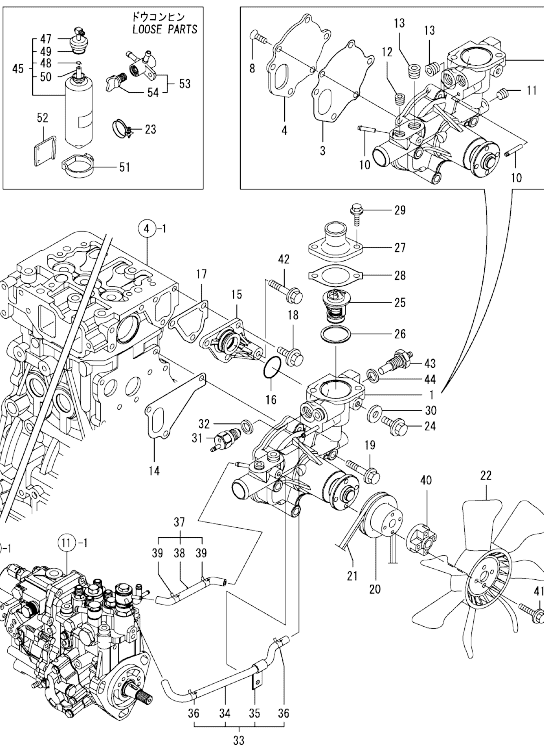
Remarks

- (1) Interchangeable by simultaneous replacement with No.20-1 and No.21-1.
- (1) Interchangeable by simultaneous replacement with No.20-2 and No.21-2.

Fig.10. COOLING WATER SYSTEM

(A)=4TNV88-QTBC
(B)=
(C)=

(D)=
(E)=
(F)=



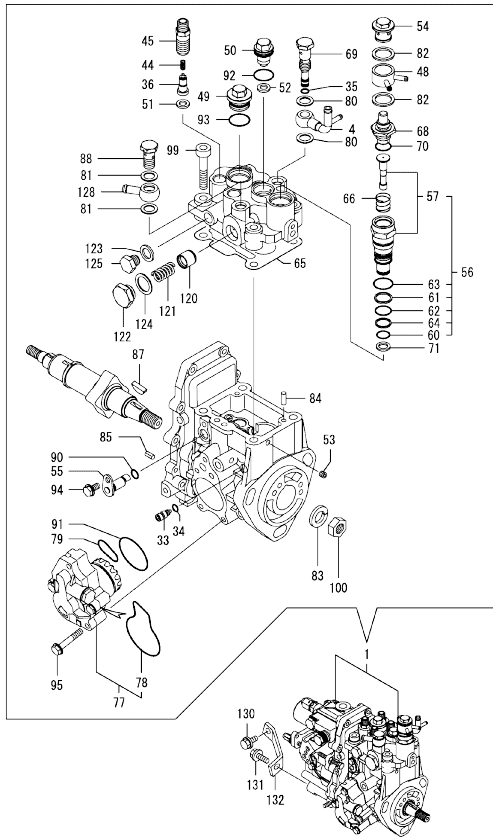
No.	Lev.	Parts No.	Description	Q'ty						
				(A)	(B)	(C)	(D)	(E)	(F)	
50	2	23065-070225	HOSE 7X 225	1						
51	1	124450-44550	BAND	1						
52	1	121256-44600	BRACKET, SUB TANK	1						
53	1	129150-49100	COCK ASSY, 3-WAY	1						
54	2	129150-49080	COCK, DRAIN	1						

Remarks

(1)Interchangeable by simultaneous replacement with No.20-1 and No.21-1.

(1)Interchangeable by simultaneous replacement with No.20-2 and No.21-2.

Fig.11. FUEL INJECTION PUMP



(A)=4TNV88-QTBC
(B)=
(C)=

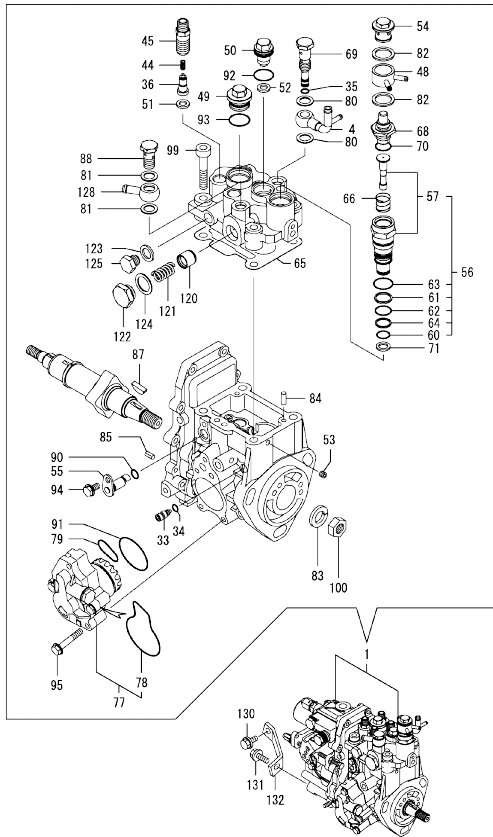
(D)=
(E)=
(F)=

No.	Lev.	Parts No.	Description	Q'ty						I	R	
				(A)	(B)	(C)	(D)	(E)	(F)			
1	1	729642-51410	PUMP ASSY, INJECTION	1							1	
4	2	158552-51670	JOINT, OVER FLOW	1								
33	2	158600-51270	STOPPER, TAPPET	1								
34	2	158563-51281	O-RING, 4D S6	1								
35	2	158563-51281	O-RING, 4D S6	1								
36	2	158560-51300	VALVE ASSY, DELIVERY	4								
44	2	158563-51330	SPRING, DELIVERY	4								
45	2	158601-51340	HOLDER, DELIVERY	4								
48	2	158553-51551	JOINT	1								
49	2	158601-51550	PLUG	1								
50	2	119802-51560	PLUG, BARREL	1								
51	2	158552-51570	GASKET	4								
52	2	158552-51570	GASKET	1								
53	2	158557-51570	PLUG	1								
54	2	158601-51570	PLUG	1								
55	2	158552-51580	LIFTER	1								
56	2	119802-51590	TIMER SET	1								
57	3	119802-51600	TIMER ASSY	1								
60	3	158553-51670	O-RING, 1011	1								
61	3	119802-51680	RING, BACK UP	1								
62	3	119802-51690	O-RING	1								
63	3	24356-010200	O-RING, 4D1020	1								
64	3	24372-000150	RING, BACK UP T2P15	1								
65	2	158552-51600	GASKET	1								
66	2	158553-51630	SPRING, TIMER	1								
68	2	158553-51640	ELEMENT	1								
69	2	158601-51650	JOINT, OVER FLOW	1								
70	2	158553-51660	O-RING, P14	1								
71	2	158553-51680	GASKET	1								
77	2	158552-52100	PUMP ASSY, FUEL FEED	1								
78	3	158552-52500	O-RING	1								
79	2	158552-52310	O-RING	1								
80	2	22190-120002	WASHER, SEAL 12	2								
81	2	22190-120002	WASHER, SEAL 12	2								
82	2	22190-180002	WASHER, SEAL 18	2								
83	2	22217-140000	WASHER, SPRING 14	1								
84	2	22312-050140	PIN, PARALLEL M5X14	2								
85	2	22351-050010	PIN, SPRING 5.0X10	2								
87	2	119802-51090	KEY, 4X16	1								
88	2	23857-060000	BOLT, JOINT 6	1								
90	2	24311-000070	O-RING, 1AP7.0	1								
91	2	158552-52400	O-RING, 4E S42	1								
92	2	24356-010180	O-RING, 4D1018	1								
93	2	24356-010200	O-RING, 4D1020	1								
94	2	26106-060102	BOLT, M6X 10 PLATED	1								
95	2	158553-51770	BOLT	4								
99	2	26450-080452	BOLT, M8X 45	4								
100	2	26776-140002	NUT, LOCK M14	1								
120	2	158601-51770	PISTON	1								
121	2	158552-51780	SPRING	1								
122	2	158601-51790	PLUG	1								

Remarks
(1) GOVERNOR ASSY(FIG.12) IS
INCORPORATED IN THIS FOP.CMP
(REF.NO.1).

N:Old $\frac{New}{Old}$ New, Q:Old $\frac{New}{Old}$ New, R:Old $\frac{New}{Old}$ New, S:Old $\frac{New}{Old}$ New, W:Add, Z:Discontinued, F:Interchangeable by set, K:Q'ty Change
++ CONTINUE ++
Copyright (C) YANMAR CO., LTD. All Rights Reserved.

Fig.11. FUEL INJECTION PUMP



(A)=4TNV88-QTBC
(B)=
(C)=

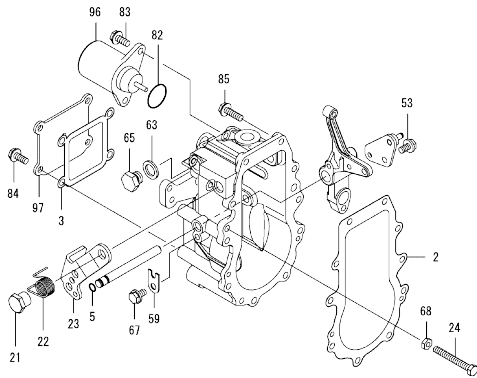
(D)=
(E)=
(F)=

No.	Lev.	Parts No.	Description	Q'ty						I	R
				(A)	(B)	(C)	(D)	(E)	(F)		
123	2	22190-120002	WASHER, SEAL 12	1							
124	2	22190-180002	WASHER, SEAL 18	1							
125	2	23887-120002	PLUG, 12	1							
128	2	129916-59020	JOINT, PIPE 12	1							
130	1	26106-080162	BOLT, M8X 16 PLATED	1							
131	1	26106-080202	BOLT, M8X 20 PLATED	1							
132	1	129601-51250	RETAINER, PUMP	1							

Remarks
(1) GOVERNOR ASSY(FIG.12) IS
INCORPORATED IN THIS FOP.CMP
(REF.NO.1).

OCD10-M90700 4TNV88-QTBC
 Fig.12. GOVERNOR

OCD10-M90700 Fig.12



(A)=4TNV88-QTBC
 (B)=
 (C)=

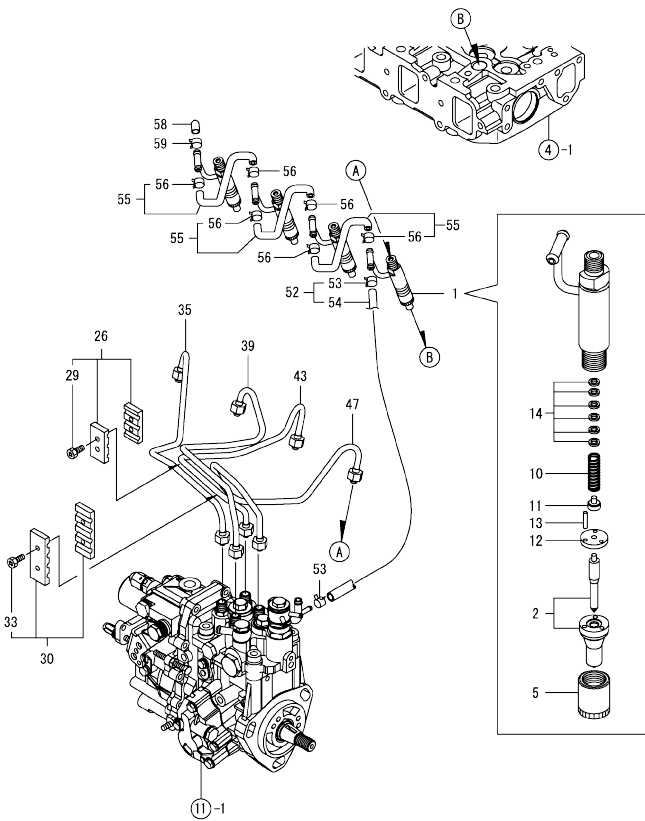
(D)=
 (E)=
 (F)=

No.	Lev.	Parts No.	Description	Q'ty					
				(A)	(B)	(C)	(D)	(E)	(F)
2	2	158553-61050	GASKET	1					
3	2	158553-61070	GASKET	1					
5	2	129155-51280	O-RING, S6	1					
21	2	129255-61410	NUT, LOCK	1					
22	2	119807-61420	SPRING, RETURN	1					
23	2	158552-61441	LEVER, REGULATOR	1					
24	2	129155-61460	BOLT, IDLE	1					
53	2	26106-060102	BOLT, M6X 10 PLATED	1					
59	2	119660-61901	RETAINER, SHAFT	1					
63	2	22190-120000	WASHER, SEAL 12	1					
65	2	23887-120002	PLUG, 12	1					
67	2	26106-060102	BOLT, M6X 10 PLATED	1					
68	2	26756-060002	NUT, LOCK M6	1					
82	2	158552-61900	O-RING	1					
83	2	26106-060142	BOLT, M6X 14 PLATED	2					
84	2	26106-060142	BOLT, M6X 14 PLATED	4					
85	2	26106-060202	BOLT, M6X 20 PLATED	10					
96	2	119233-77932	SOLENOID, STOP	1					
97	2	129642-61060	COVER, GOVERNOR CASE	1					

Remarks

(1) SELECTIVE PARTS:CERTAIN THE CLASSIFICATION MARK, THEN PLACE YOUR ORDER. (REF TO ILLUSTRATION).
 * THIS FIGURE (GOVERNOR ASSY) IS INCORPORATED IN THE FUEL INJECTION PUMP ASSY (FIG. 11).

Fig.13. FUEL INJECTION VALVE

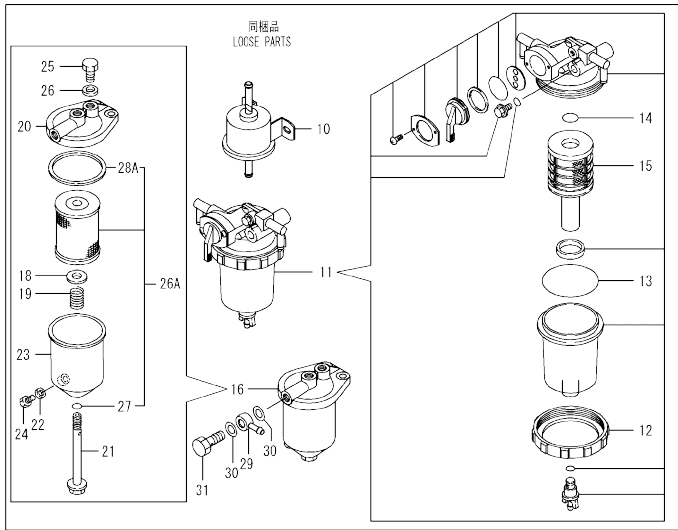
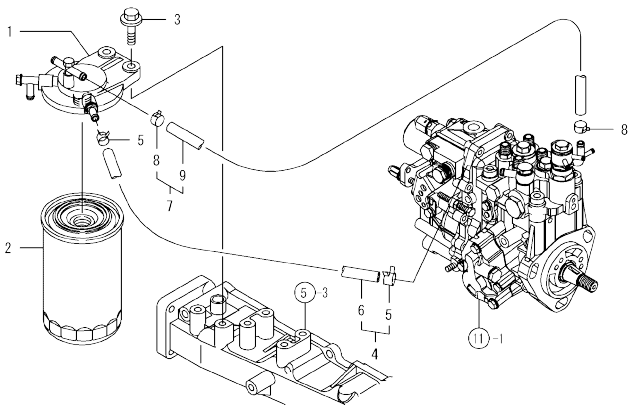


(A)=4TNV88-QTBC
(B)=
(C)=

(D)=
(E)=
(F)=

No.	Lev.	Parts No.	Description	Q'ty						I	R
				(A)	(B)	(C)	(D)	(E)	(F)		
1	1	729642-53100	VALVE ASSY,INJECTION	4							
2	2	129640-53001	VALVE ASSY,INJECTION	4							
5	2	114250-53080	NUT, NOZZLE D16.95	4							
10	2	114250-53120	SPRING, NOZZLE	4							
11	2	114250-53130	SEAT, SPRING	4							
12	2	114250-53140	PLATE	4							
13	2	114250-53210	PIN	8							
14	2	114250-53400	SHIM SET	4							
26	1	129150-59120	RETAINER, PIPE	1							
29	2	129150-59131	BOLT, M4X14	2							
30	1	129550-59120	RETAINER, PIPE	1							
33	2	129150-59131	BOLT, M4X14	2							
35	1	129601-59810	PIPE ASSY, INJECTION	1							
39	1	129601-59820	PIPE ASSY, INJECTION	1							
43	1	129601-59830	PIPE ASSY, INJECTION	1							
47	1	129601-59840	PIPE ASSY, INJECTION	1							
52	1	119802-59550	PIPE ASSY, RETURN	1							
53	2	124722-59050	CLIP, HOSE 9	2							
54	2	119802-59560	PIPE, FUEL RETURN	1							
55	1	129486-59551	PIPE ASSY, RETURN	3							
56	2	124722-59050	CLIP, HOSE 9	6							
58	1	119593-59581	CAP	1							
59	1	124060-77680	CLIP, HOSE 10	1							

Fig.14. FUEL LINE



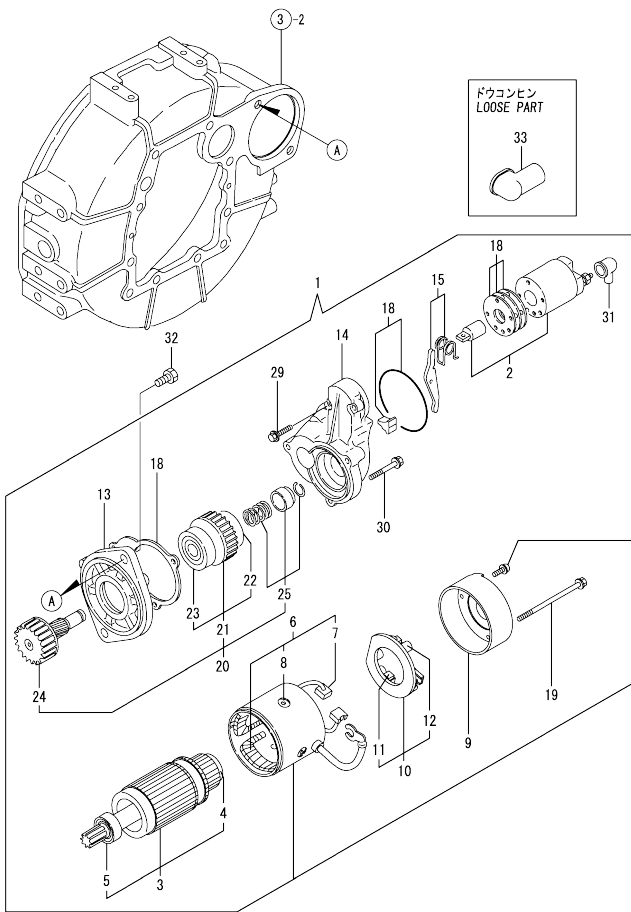
(A)=4TNV88-QTBC
(B)=
(C)=

(D)=
(E)=
(F)=

No.	Lev.	Parts No.	Description	Q'ty						I	R
				(A)	(B)	(C)	(D)	(E)	(F)		
1	1	129004-55612	BRACKET, FILTER	1							
2	1	129907-55801	FILTER, FUEL	1							
3	1	26106-080302	BOLT, M8X 30 PLATED	2							
4	1	129210-59090	PIPE ASSY, FUEL	1							
5	2	124766-59050	CLIP, HOSE 12	2							
6	2	105325-59570	PIPE, FUEL	1							
7	1	129210-59150	PIPE ASSY, FUEL	1							
8	2	124766-59050	CLIP, HOSE 12	2							
9	2	105025-59530	PIPE, FUEL D13X400	1							
10	1	129612-52100	PUMP ASSY, FUEL FEED	1							
11	1	129906-55700	SEPARATOR ASSY	1							
12	2	129100-55690	RING, RETAINING	1							
13	2	24321-000650	O-RING, 1AG65.0	1							
14	2	24311-000160	O-RING, 1AP16.0	1							
15	2	119802-55710	ELEMENT	1							
16	1	129065-55750	SEPARATOR ASSY	1							W
		(A=2009.05.)									
17	2	123325-35140	GASKET	1							W
		(A=2009.05.)									
17-1	2	123325-35140	GASKET	1							Z
18	2	123325-35160	WASHER	1							W
		(A=2009.05.)									
19	2	123325-35170	SPRING	1							W
		(A=2009.05.)									
20	2	129495-55610	BODY, STRAINER	1							W
		(A=2009.05.)									
21	2	129495-55620	BOLT	1							W
		(A=2009.05.)									
22	2	123672-55760	GASKET	1							W
		(A=2009.05.)									
23	2	129065-55760	CASE	1							W
		(A=2009.05.)									
24	2	129065-55770	PLUG, DRAIN M8	1							W
		(A=2009.05.)									
25	2	123678-55880	PLUG, M14	1							W
		(A=2009.05.)									
26	2	123678-55890	GASKET	1							W
		(A=2009.05.)									
26A	2	41650-502320	ELEMENT ASSY(D72XL90	1							W
		(A=2013.11.)									
27	3	24311-000120	O-RING, 1AP12.0	1							W
		(A=2009.05.)									
28A	3	123325-35140	GASKET	1							W
		(A=2013.11.)									
29	1	121750-59910	JOINT	2							W
		(A=2009.05.)									
30	1	22190-140002	WASHER, SEAL 14	4							W
		(A=2009.05.)									
31	1	23857-080000	BOLT, JOINT 8	2							W
		(A=2009.05.)									

N:Old $\frac{100}{100}$ New, Q:Old $\frac{100}{100}$ New, R:Old $\frac{100}{100}$ New, S:Old $\frac{100}{100}$ New, W:Add, Z:Discontinued, F:Interchangeable by set, K:Q'ty Change
Copyright (C) YANMAR CO., LTD. All Rights Reserved.

Fig.15. STARTING MOTOR



(A)=4TNV88-QTBC
(B)=
(C)=

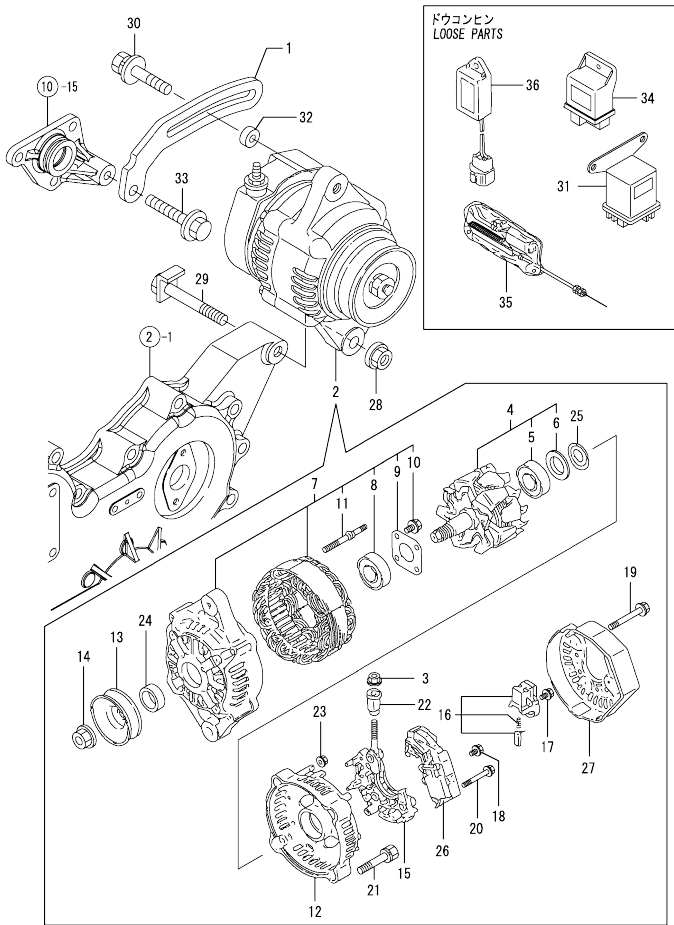
(D)=
(E)=
(F)=

No.	Lev.	Parts No.	Description	Q'ty					
				(A)	(B)	(C)	(D)	(E)	(F)
1	1	129136-77011	STARTER	1					
2	2	129136-77310	SWITCH ASSY	1					
3	2	129900-77400	ARMATURE ASSY	1					
4	3	X2130350900	BALL BEARING	1					
5	3	X2114255110	BEARING, BALL	1					
6	2	129900-77440	COIL ASSY, FIELD	1					
7	3	129900-77450	BRUSH (+)	2					
8	3	171008-77450	SCREW	4					
9	2	129900-77460	COVER, REAR	1					
10	2	129900-77480	HOLDER ASSY, BRASH	1					
11	3	129900-77450	BRUSH (+)	2					
12	3	129400-77490	SPRING, BRUSH	4					
13	2	171008-77510	HOUSING ASSY, GEAR	1					
14	2	129136-77520	CENTER HOUSING	1					
15	2	171008-77540	LEVER SET, SHIFT	1					
18	2	129400-77571	DUST COVER, (NON-ASB.	1					
19	2	129900-77640	BOLT, THROUGHT	2					
20	2	171008-77650	PINION ASSY	1					
21	3	X2114555500	CLUTCH ASSY	1					
22	4	X2114955020	BALL BEARING	1					
23	4	X2240410100	BEARING, BALL	1					
24	3	171008-77660	SHAFT, PINION	1					
25	3	171008-77670	STOPPER SET, PINION	1					
29	2	26106-060322	BOLT, M6X 32 PLATED	2					
30	2	26106-060402	BOLT, M6X 40 PLATED	3					
31	2	171008-77750	COVER, M TERMINAL	1					
32	1	26116-120252	BOLT, M12X 25 PLATED	2					
33	1	124550-77030	COVER, TERMINAL	1					

N:Old $\frac{100}{100}$ New, Q:Old $\frac{100}{100}$ New, R:Old $\frac{100}{100}$ New, S:Old $\frac{100}{100}$ New, W:Add, Z:Discontinued, F:Interchangeable by set, K:Q'ty Change
Copyright (C) YANMAR CO., LTD. All Rights Reserved.

OCD10-M90700 4TNV88-QTBC
 Fig.16. GENERATOR

OCD10-M90700 Fig.16



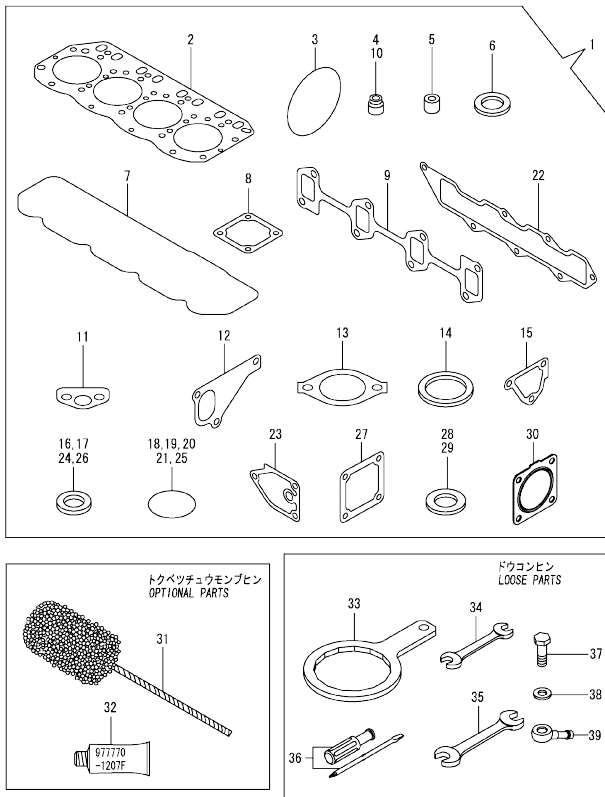
(A)=4TNV88-QTBC
 (B)=
 (C)=

(D)=
 (E)=
 (F)=

No.	Lev.	Parts No.	Description	Q'ty						I	R
				(A)	(B)	(C)	(D)	(E)	(F)		
1	1	119940-77330	ADJUSTER	1							
2	1	129240-77200	ALTERNATOR	1							
3	2	129240-79310	NUT	1							
4	2	119620-77380	ROTOR ASSY	1							
5	3	126501-79240	BALL BEARING	1							
6	3	119620-79250	COVER, BEARING	1							
7	2	119620-77421	FRAME ASSY, DRIVE	1							
8	3	119620-79200	BALL BEARING	1							
9	3	119620-79210	PLATE	1							
10	3	119620-79220	SCREW	4							
11	3	119620-79230	BOLT, STUD	2							
12	2	119620-77440	FLAME ASSY, REAR	1							
13	2	119620-77461	PULLEY	1							
14	2	119620-77471	NUT	1							
15	2	119620-79260	HOLDER	1							
16	2	129052-79270	HOLDER, BRUSH	1							
17	2	119620-79290	SCREW	6							
18	2	119620-79300	SCREW	1							
19	2	119620-79310	BOLT	3							
20	2	119620-79320	SCREW W/WASHER	2							
21	2	119620-79330	BOLT	2							
22	2	119620-79340	INSULATION BUSH	1							
23	2	119620-79350	NUT	2							
24	2	119620-77490	COLLAR	1							
25	2	119620-79360	WASHER, THRUST	1							
26	2	129240-77710	REGULATOR ASSY	1							
27	2	129240-79300	COVER	1							
28	1	26306-100002	NUT, M10	1							
29	1	119740-77250	BOLT, M10X76	1							
30	1	129972-77341	BOLT, ADJUSTER L=50	1							
31	1	119646-77900	RELAY, POWER	3							
32	1	119940-77270	SPACER, GENERATOR	1							
33	1	26106-080452	BOLT, M8X 45 PLATED	1							
34	1	119802-77200	RELAY, SAFETY	1							
35	1	119032-77910	MOTOR ASSY	1							
36	1	129211-77920	TIMER	1							

N:Old $\frac{100}{100}$ New, Q:Old $\frac{100}{100}$ New, R:Old $\frac{100}{100}$ New, S:Old $\frac{100}{100}$ New, W:Add, Z:Discontinued, F:Interchangeable by set, K:Q'ty Change
 Copyright (C) YANMAR CO., LTD. All Rights Reserved.

Fig.17. TOOLS & GASKET SET



(A)=4TNV88-QTBC
(B)=
(C)=

(D)=
(E)=
(F)=

No.	Lev.	Parts No.	Description	Q'ty						I	R
				(A)	(B)	(C)	(D)	(E)	(F)		
1	1	72960-1-92970	GASKET SET	1							1
2	2	129407-01340	GASKET, HEAD	1							
3	2	121850-51960	O-RING	1							
4	2	124460-11340	SEAL, VALVE STEM	4							
5	2	119802-11870	PROTECTOR, NOZZLE	4							
6	2	119625-11880	SEAT, NOZZLE	4							
7	2	129601-11310	GASKET, BONNET	1							
8	2	129150-77511	GASKET	1							
9	2	129550-13110	GASKET	1							
10	2	121400-11340	SEAL, VALVE STEM	4							
11	2	129150-35042	GASKET	1							
12	2	129486-42021	GASKET, WATER PUMP	1							
13	2	129795-49551	GASKET	1							
14	2	129150-49811	GASKET, THERMOSTAT	1							
15	2	124395-49840	GASKET	1							
16	2	22190-080002	WASHER, SEAL 6	2							
17	2	124465-44950	GASKET, 16	1							
18	2	24311-000120	O-RING, 1AP12.0	3							
19	2	24311-000320	O-RING, 1AP32.0	2							
20	2	24341-000240	O-RING, 1AS24.0	1							
21	2	129486-42140	O-RING, G30	1							
22	2	129407-12110	GASKET, MANIFOLD	1							
23	2	129150-35111	GASKET	1							
24	2	22190-220002	WASHER, SEAL 22	1							
25	2	119609-32040	O-RING, P16	4							
26	2	22190-100002	WASHER, SEAL 10	2							
27	2	129100-77510	GASKET, AIR HEATER	1							
28	2	23414-080000	GASKET, 8X1.0	1							
29	2	129150-49360	GASKET	1							
30	2	129930-13201	GASKET, SILENCER	1							
31	1	129400-92430	HONE	1							1
32	1	977770-1207F	GASKET LIQUID	1							1
33	1	119640-92750	WRENCH, FILTER 80	1							
34	1	28110-100120	SPANNER, 10X12	1							
35	1	28110-140170	SPANNER, 14X17	1							
36	1	104200-92350	DRIVER, SCREW	1							
37	1	23857-080000	BOLT, JOINT 8	2							W
38	1	22190-140002	WASHER, SEAL 14	4							W
39	1	121750-59910	JOINT	2							W

Remarks
(1) OPTIONAL PARTS.

N:Old $\frac{100}{100}$ New, Q:Old $\frac{100}{100}$ New, R:Old $\frac{100}{100}$ New, S:Old $\frac{100}{100}$ New, W:Add, Z:Discontinued, F:Interchangeable by set, K:Q'ty Change
Copyright (C) YANMAR CO., LTD. All Rights Reserved.

Parts No. Index

Parts No.	Fig. No.	Ref. No.	Parts No.	Fig. No.	Ref. No.	Parts No.	Fig. No.	Ref. No.	Parts No.	Fig. No.	Ref. No.
104200-92350	17	36	119802-03130	4	43	121400-11340	17	10	129001-91841	2	22
105025-59530	14	9	119802-03141	4	44	121450-44531	10	47	129004-01190	1	33
105325-59570	14	6	119802-11260	4	26	121470-44581	10	49	129004-03010	4	39
114250-39450	9	6	119802-11270	4	27	121520-34810	9	2	129004-11130	4	10
114250-53080	13	5	119802-11870	4	19	121550-23200	8	30	129004-11650	4	31
114250-53120	13	10		17	5	121550-49111	9	15	129004-11900	4	21
114250-53130	13	11	119802-12560	5	15	121750-59910	14	29	129004-34802	9	1
114250-53140	13	12	119802-21202	8	5		17	39	129004-42001	10	1
114250-53210	13	13	119802-21660	8	9	121850-21680	8	11	129004-42040	10	15
114250-53400	13	14	119802-25051	7	9	121850-42410	10	8	129004-49610	10	33
119005-35151	9	24	119802-25071	7	13	121850-51960	2	21	129004-49620	10	37
119032-77910	16	35	119802-25101	7	10		17	3	129004-49711	10	34
119131-18320	6	5	119802-25901	7	15	123325-35140	14	17	129004-49721	10	38
119233-77932	12	96	119802-32070	2	8		17	-1	129004-55612	14	1
119266-49350	10	43	119802-32100	2	7		28	A	129005-22080	8	17
119593-59581	13	58	119802-32111	2	18	123325-35160	14	18	129005-22500	8	19
119609-32040	2	17	119802-32120	2	19	123325-35170	14	19	129005-22900	8	33
	17	25	119802-32130	2	20	123672-55760	14	22	129005-22950	8	35
119620-01750	3	3	119802-39450	9	8	123678-55880	14	25	129005-59830	9	9
119620-77380	16	4	119802-49113	10	10	123678-55890	14	26	129006-35100	9	19
119620-77421	16	7	119802-49730	10	35	123900-13610	6	6	129006-44480	9	25
119620-77440	16	12	119802-51090	11	87	123900-13630	6	4	129052-79270	16	16
119620-77461	16	13	119802-51560	11	50	124060-01050	1	10	129065-55750	14	16
119620-77471	16	14	119802-51590	11	56	124060-77680	13	59	129065-55760	14	23
119620-77490	16	24	119802-51600	11	57	124160-01751	2	14	129065-55770	14	24
119620-79200	16	8	119802-51680	11	61		4	50	129100-01580	3	1
119620-79210	16	9	119802-51690	11	62	124160-01910	1	5		8	2
119620-79220	16	10	119802-55710	14	15		15	15	129100-01640	3	16
119620-79230	16	11	119802-59550	13	52	124160-11360	4	52	129100-11112	4	11
119620-79250	16	6	119802-59560	13	54	124160-39140	9	7	129100-23910	8	29
119620-79260	16	15	119802-77200	16	34	124240-01871	2	15	129100-42051	10	3
119620-79290	16	17	119807-61420	12	22	124395-49840	10	17	129100-42121	10	4
119620-79300	16	18	119808-12520	5	19		17	15	129100-55690	14	12
119620-79310	16	19	119808-12540	5	20	124450-44550	10	51	129100-77500	5	8
119620-79320	16	20	119865-21600	8	16	124450-44560	10	48	129100-77510	5	9
119620-79330	16	21	119866-12541	5	21	124460-11340	4	17		17	27
119620-79340	16	22	119910-12210	5	14		17	4	129103-49301	9	35
119620-79350	16	23	119910-12510	5	18	124465-44950	10	32	129136-77011	15	1
119620-79360	16	25	119934-01800	2	6		17	17	129136-77310	15	2
119625-11880	4	20	119940-59130	9	31	124550-77030	15	33	129136-77520	15	14
	17	6	119940-77270	16	32	124722-59050	10	36	129150-01200	1	31
119640-01640	3	9	119940-77330	16	1		39	39	129150-02020	1	7
119640-92750	17	33	120130-11860	4	5	124766-59050	14	5	129150-02450	7	4
119646-77900	16	31	120270-54410	4	23		8	8	129150-02871	1	34
119660-61901	12	59	121023-01551	2	27	126501-79240	16	5	129150-02931	1	28
119740-77250	16	29	121111-21501	8	12	129001-01250	1	11	129150-03070	4	40
119802-01520	2	12	121250-44901	10	31	129001-02931	1	25	129150-11230	4	32
119802-01561	2	13	121256-44600	10	52	129001-32330	2	11	129150-11280	4	28
119802-03110	4	41	121267-44760	10	40						
119802-03121	4	42	121400-11340	4	16						

Parts No. Index

Parts No.	Fig. No.	Ref. No.	Parts No.	Fig. No.	Ref. No.	Parts No.	Fig. No.	Ref. No.	Parts No.	Fig. No.	Ref. No.	
129150-11370	4	18	129417-35150	9	21	129795-01780	3	18	158563-51281	11	34	
129150-11750	4	34	129418-32320	2	10	129795-01950	2	16			35	
129150-11810	4	7	129436-35091	9	4	129795-02412	1	14	158563-51330	11	44	
129150-14101	7	7	129457-49801	10	25	129795-11120	4	12	158600-51270	11	33	
129150-14200	7	1	129486-01670	3	19	129795-11180	4	13	158601-51340	11	45	
129150-14400	7	2	129486-42021	10	14	129795-21661	8	10	158601-51550	11	49	
129150-23601	8	31		17	12	129795-49551	10	28	158601-51570	11	54	
129150-23611	8	39	129486-42140	10	16		17	13	158601-51650	11	69	
129150-25301	7	16		17	21	129900-07900	4	54	158601-51770	11	120	
129150-35042	9	3	129486-59551	13	55	129900-32130	2	9	158601-51790	11	122	
	17	11	129495-55610	14	20	129900-77400	15	3	171008-03990	9	27	
129150-35111	9	23	129495-55620	14	21	129900-77440	15	6	171008-77450	15	8	
	17	23	129508-33010	9	16	129900-77450	15	7	171008-77510	15	13	
129150-49080	10	54	129508-33050	9	17			11	171008-77540	15	15	
129150-49100	10	53	129508-49030	9	26	129900-77460	15	9	171008-77650	15	20	
129150-49360	10	44	129508-49040	9	30	129900-77480	15	10	171008-77660	15	24	
	17	29	129550-13110	6	2	129900-77640	15	19	171008-77670	15	25	
129150-49811	10	26		17	9	129906-55700	14	11	171008-77750	15	31	
	17	14	129550-59120	13	30	129907-55801	14	2	171051-01921	1	6	
129150-59120	13	26	129556-42350	10	20	-2	129910-07900	4	57	171064-44510	10	45
129150-59131	13	29	129601-03080	5	1	129916-49740	10	13	171340-77520	5	11	
			129601-11241	4	25	129916-59020	11	128	22117-100000	6	9	
129150-77511	5	10	129601-11251	4	29	129930-13201	6	14	22190-080002	9	11	
	17	8	129601-11310	4	47		17	30			12	
129155-42350	10	20		17	7	129953-12620	5	23			17	
129155-51280	12	5	129601-11350	4	38	129972-77341	16	30	22190-100002	9	13	
129155-61460	12	24	129601-11700	4	1	158552-51151	7	18		17	26	
129202-22300	8	23	129601-12100	5	3	158552-51570	11	51	22190-120000	12	63	
129210-59090	14	4	129601-21002	8	1			52	22190-120002	11	80	
129210-59150	14	7	129601-51250	11	132	158552-51580	11	55			81	
129211-77920	16	36	129601-59810	13	35	158552-51600	11	65			123	
129240-77200	16	2	129601-59820	13	39	158552-51670	11	4	22190-140002	14	30	
129240-77710	16	26	129601-59830	13	43	158552-51780	11	121		17	38	
129240-79300	16	27	129601-59840	13	47	158552-52100	11	77	22190-180002	11	82	
129240-79310	16	3	129612-01600	3	2	158552-52310	11	79			124	
129255-61410	12	21	129612-12560	5	27	158552-52400	11	91	22190-220002	3	11	
129259-12570	5	22	129612-12590	5	29	158552-52500	11	78		17	24	
129350-49530	10	27	129612-12681	5	16	158552-61441	12	23	22217-100000	6	10	
129400-01730	3	6	129612-12691	5	17	158552-61900	12	82	22217-140000	7	19	
129400-01770	3	8	129612-42290	10	21	-1	158553-51551	11	48		11	83
129400-77490	15	12	129612-52100	14	10	158553-51630	11	66	22252-000260	8	24	
129400-77571	15	18	129640-13109	6	1	158553-51640	11	68	22312-050140	11	84	
129400-92430	17	31	129640-53001	13	2	158553-51660	11	70	22351-030010	8	8	
129403-42380	10	20	-1	6	15	158553-51670	11	60	22351-050010	11	85	
129407-01340	1	32	129642-13520	6	7	158553-51680	11	71	22351-060012	4	22	
	17	2	129642-13590	6	7	158553-51770	11	95	22512-070140	7	8	
129407-12110	5	5	129642-13650	6	13	158553-61050	12	2		8	6	
	17	22	129642-21590	8	13	158553-61070	12	3	22857-500100	4	48	
129410-03990	5	2	129642-61060	12	97	158557-51570	11	53		49		
129417-33110	9	18	129655-44740	10	22	158560-51300	11	36	23000-060000	5	26	
			129688-01780	3	8	-1						

Parts No. Index

Parts No.	Fig. No.	Ref. No.
23000-060000	5	32
		33
23010-038000	10	23
23065-070225	10	50
23080-015000	9	29
		33
23080-018000	9	34
23414-080000	10	30
	17	28
23857-030000	9	10
23857-060000	11	88
23857-080000	14	31
	17	37
23876-010000	10	11
23876-020000	10	12
23876-030000	2	4
23876-040000	2	5
23887-120002	11	125
	12	65
24311-000070	11	90
24311-000120	4	53
	14	27
	17	18
24311-000160	14	14
24311-000320	2	23
	4	51
	17	19
24321-000650	14	13
24341-000240	2	28
	17	20
24356-010180	11	92
24356-010200	11	63
		93
24372-000150	11	64
25152-003700	10	21
		21 -2
26013-080222	5	30
		31
26106-060102	11	94
	12	53
		67
26106-060142	12	83
		84
26106-060162	2	29
26106-060202	12	85
26106-060302	10	41
26106-060322	15	29
26106-060402	15	30
26106-080122	10	24
26106-080142	4	55

Parts No.	Fig. No.	Ref. No.
26106-080142	7	17
26106-080162	2	24
		25
	3	12
	10	18
	11	130
26106-080202	5	6
	9	22
	11	131
26106-080222	10	29
26106-080252	3	13
	4	36
26106-080302	14	3
26106-080352	3	20
	4	24
	9	5
26106-080402	5	12
	7	14
26106-080452	3	14
		14 -1
	10	42
	16	33
26106-080502	3	22
	4	37
26106-080552	2	26
26106-080602	10	19
26106-080802	5	7
		13
26106-100202	6	16
26106-100652	6	11
26116-120252	15	32
26206-100252	3	4
26206-100302	3	5
26226-080182	4	35
26306-080002	2	31
	6	3
		17
26306-100002	16	28
26366-060002	9	14
26450-080452	11	99
26706-100002	6	12
26756-060002	12	68
26776-140002	7	20
	11	100
27241-120000	1	12
27241-300000	1	13
27241-400000	4	9
27310-080001	4	14
28110-100120	17	34
28110-140170	17	35

Parts No.	Fig. No.	Ref. No.
41650-502320	14	26 A
729240-01500	2	1
729402-14580	7	3
729402-23100	8	25
729601-92970	17	1
729602-01560	1	1
729642-51410	11	1
729642-53100	13	1
977770-1207F	2	30
	3	21
	4	56
	17	32
X2114255110	15	5
X2114555500	15	21
X2114955020	15	22
X2130350900	15	4
X2240410100	15	23

Parts No.	Fig. No.	Ref. No.
-----------	----------	----------