

0CD50-M03050EN

P R E F A C E

This parts catalog is the 1st edition of 4TNV88-SND for GUANGDONG KINGTEC DENSO REFRIGERATION EQUIPMENT CO., LTD.

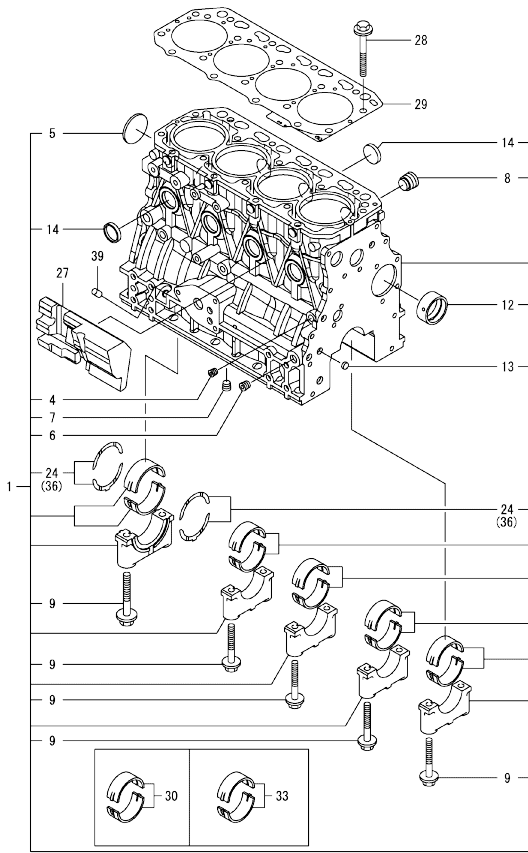
Published : March, 2017

Contents

OCD50-M03050

Fig. No.	Fig. Name	Fig. No.	Fig. Name
ENGINE			
1.	CYLINDER BLOCK		
2.	GEAR HOUSING		
3.	MOUNTING FLANGE & OIL SUMP		
4.	CYLINDER HEAD & BONNET		
5.	SUCTION MANIFOLD		
6.	EXHAUST MANIFOLD		
7.	CAMSHAFT & DRIVING GEAR		
8.	CRANKSHAFT & PISTON		
9.	LUB. OIL SYSTEM		
10.	COOLING WATER SYSTEM		
11.	FUEL INJECTION PUMP		
12.	GOVERNOR		
13.	FUEL FEED PUMP		
14.	FUEL INJECTION VALVE		
15.	STARTER MOTOR		
16.	ACCESSORY		
17.	GASKET SET		

Fig.1. CYLINDER BLOCK



(A)=4TNV88-SND
(B)=
(C)=

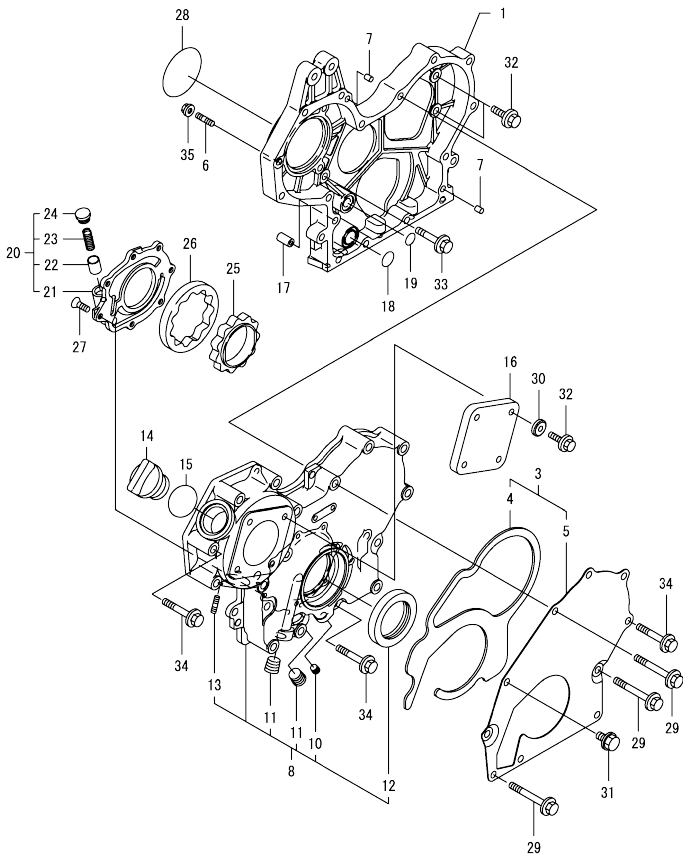
(D)=
(E)=
(F)=

No.	Lev.	Parts No.	Description	Q'ty						I	R
				(A)	(B)	(C)	(D)	(E)	(F)		
1	1	729602-01560	BLOCK ASSY, CYLINDER	1							
4	2	124060-01050	PLUG, PT1/8	1							
5	2	129001-01250	PLUG, DISH TYPE 50	1							
6	2	124160-01910	PLUG, PT1/4	2							
7	2	124160-01910	PLUG, PT1/4	1							
8	2	171051-01921	PLUG, NPTF1	1							
9	2	129150-02020	BOLT, METAL CAP	10							
12	2	129795-02412	BUSH, CAMSHAFT	1							
13	2	27241-120000	PLUG, 12	2							
14	2	27241-300000	PLUG 30	8							
24	2	129150-02931	BEARING ASSY, THRUST	2							
27	1	129004-01190	SPACER	1							
28	1	129150-01200	BOLT, CYLINDER HEAD	18							
29	1	129685-01330	GASKET, HEAD	1							
30	1	129001-02931	BEARING ASSY, MAIN	5							1
33	1	129150-02871	BEARING ASSY, MAIN	5							2
36	1	129150-02941	BEARING, THRUST 0.25	1							3
39	1	119309-01810	PLUG	1							

Remarks

- (1) Spare parts.
- (2) Under-sized (U.S.=0.25) parts.
- (3) Over-sized (O.S.=0.25) parts.

Fig.2. GEAR HOUSING

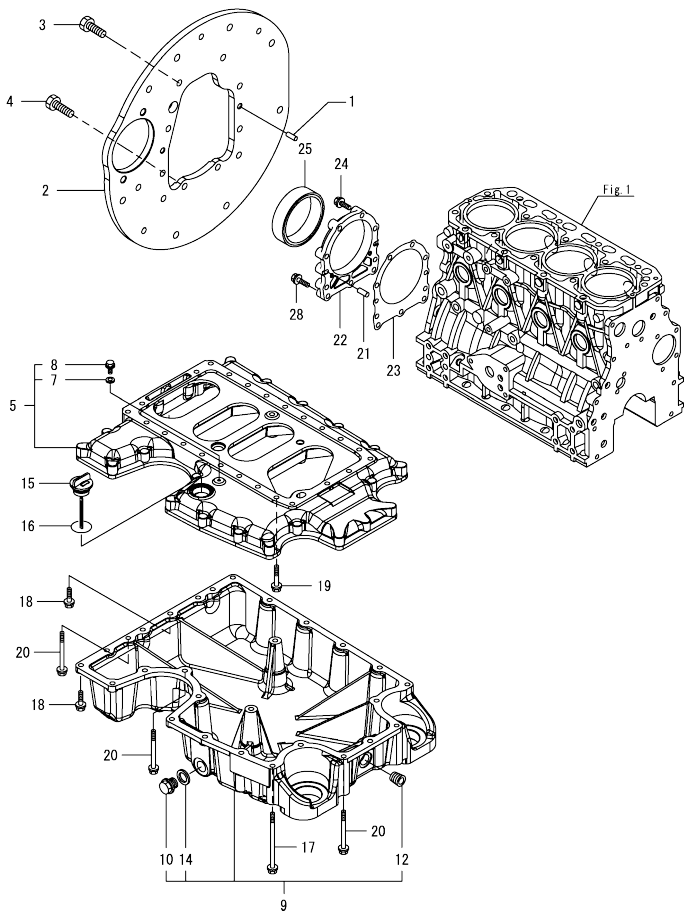


(A)=4TNV88-SND
(B)=
(C)=

(D)=
(E)=
(F)=

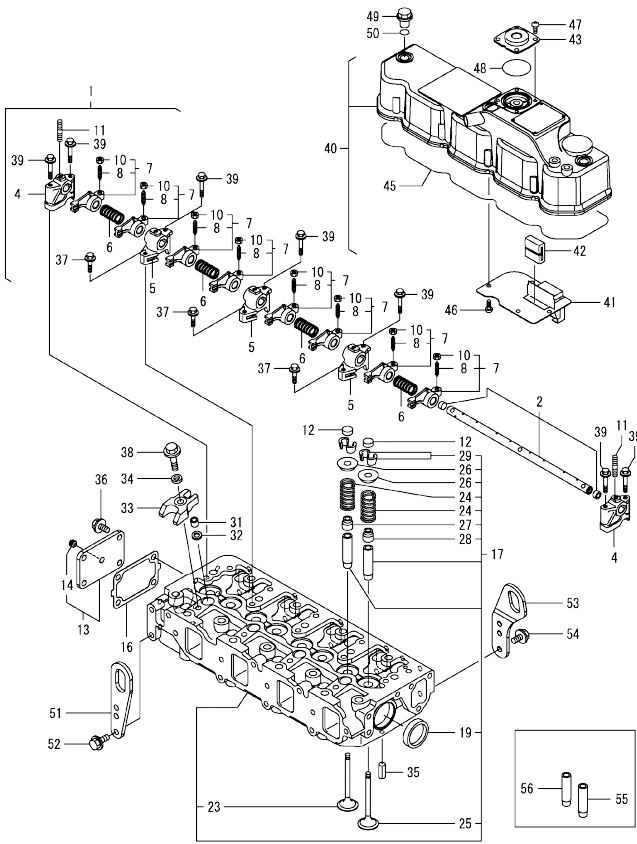
No.	Lev.	Parts No.	Description	Qty						I	R
				(A)	(B)	(C)	(D)	(E)	(F)		
1	1	129685-01490	CASE ASSY, GEAR	1							
3	1	129685-01550	COVER ASSY	1							
4	2	129685-01560	SPONGE, GEAR CASE	1							
5	2	129685-01571	COVER, HUSH	1							
6	1	119802-01561	BOLT, STUD M8X25	3							
7	1	129100-01580	PIN, PARALLEL 8X16	2							
8	1	129685-01590	COVER ASSY,GEAR CASE	1							
10	2	23876-010000	PLUG, R01	1							
11	2	23876-030000	PLUG, R03	2							
12	2	119934-01800	SEAL, OIL	1							
13	2	129155-51020	BOLT, STUD	3							
14	1	124160-01751	CAP, FILLER	1							
15	1	24311-000320	O-RING, 1AP32.0	1							
16	1	124240-01871	COVER, PUMP	1							
17	1	129795-01950	PIPE, DOWEL L=18	1							
18	1	129900-32030	O-RING, P20	2							
19	1	119609-32040	O-RING, P16	2							
20	1	129685-32100	COVER ASSY	1							
21	2	129685-32070	COVER	1							
22	2	129900-32130	VALVE, RELIEF	1							
23	2	129418-32320	SPRING	1							
24	2	129001-32330	PLUG	1							
25	1	119802-32111	ROTOR, INNER	1							
26	1	119802-32120	ROTOR, OUTER	1							
27	1	119802-32130	SCREW, M6X16	7							
28	1	121850-51960	O-RING	1							
29	1	26106-080852	BOLT, M8X 85 PLATED	7							
30	1	22190-080002	WASHER, SEAL 8	4							
31	1	26106-080122	BOLT, M8X 12 PLATED	1							
32	1	26106-080162	BOLT, M8X 16 PLATED	7							
33	1	26106-080452	BOLT, M8X 45 PLATED	1							
34	1	26106-080552	BOLT, M8X 55 PLATED	8							
35	1	26306-080002	NUT, M8	3							

Fig.3. MOUNTING FLANGE & OIL SUMP



No.	Lev.	Parts No.	Description	Q'ty						I	R
				(A)	(B)	(C)	(D)	(E)	(F)		
1	1	129100-01580	PIN, PARALLEL 8X16	2							
2	1	129636-01630	FLANGE, MOUNTING	1							
3	1	26206-100202	BOLT, M10X 20 PLATED	6							
4	1	26206-100252	BOLT, M10X 25 PLATED	4							
5	1	129636-01770	OIL PAN ASSY	1							
7	2	23414-060000	GASKET, 6X1.0	1							
8	2	26106-060102	BOLT, M6X 10 PLATED	1							
9	1	129636-01780	OIL PAN ASSY, BOTTOM	1							
10	2	119640-01640	PLUG, DRAIN M22	1							
12	2	124085-01771	PLUG, NPT 1/2	1							
14	2	22190-220002	WASHER, SEAL 22	1							
15	1	129636-01791	COVER	1							
16	1	129486-01830	O-RING, P32	1							
17	1	26106-081202	BOLT, M8X120 PLATED	1							
18	1	26106-080252	BOLT, M8X 25 PLATED	14							
19	1	26106-080452	BOLT, M8X 45 PLATED	19							
20	1	26106-080902	BOLT, M8X 90 PLATED	13							
21	1	129100-01580	PIN, PARALLEL 8X16	2							
22	1	129486-01650	CASE, OIL SEAL	1							
23	1	129486-01660	GASKET	1							
24	1	129486-01670	BOLT, M8X30	6							
25	1	129486-01780	SEAL, OIL	1							
28	1	26106-080352	BOLT, M8X 35 PLATED	3							

Fig.4. CYLINDER HEAD & BONNET



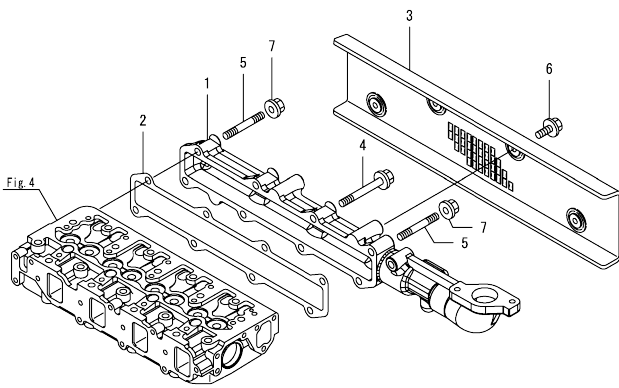
(A)=4TNV88-SND
(B)=
(C)=

(D)=
(E)=
(F)=

No.	Lev.	Parts No.	Description	Q'ty						I	R
				(A)	(B)	(C)	(D)	(E)	(F)		
1	1	129601-11241	SHAFT ASSY, ROCKER	1							
2	2	129601-11251	SHAFT, ROCKER ARM	1							
4	2	119802-11260	SUPPORT, ROCKER ARM	2							
5	2	119802-11270	SUPPORT, ROCKER ARM	3							
6	2	129150-11280	SPRING, ROCKER	4							
7	2	129004-11650	ARM ASSY, ROCKER	8							
8	3	129150-11230	SCREW, VALVE ADJUST	8							
10	3	129150-11750	NUT, M8	8							
11	2	26226-080182	STUD, M8X 18	3							
12	1	129150-11370	CAP, VALVE	8							
13	1	129486-11670	FLANGE ASSY	1							
14	2	119285-01731	PLUG, NPT1/8	1							
16	1	129486-11681	GASKET	1							
17	1	129685-11700	HEAD ASSY, CYLINDER	1							
19	2	119885-01990	PLUG, 40	2							
23	2	129100-11112	VALVE, EXHAUST	4							
24	2	129486-11120	SPRING, VALVE	8							
25	2	129004-11130	VALVE, SUCTION	4							
26	2	129795-11180	RETAINER, SPRING	8							
27	2	121400-11340	SEAL, VALVE STEM	4							
28	2	124460-11340	SEAL, VALVE STEM	4							
29	2	27310-080001	COTTER, 8	8							
31	1	119802-11870	PROTECTOR, NOZZLE	4							
32	1	119625-11880	SEAT, NOZZLE	4							
33	1	129004-11900	RETAINER, NOZZLE	4							
34	1	120270-54410	WASHER, INJECTOR	4							
35	1	22351-060012	PIN, SPRING 6.0X12	2							
36	1	26106-080162	BOLT, M8X 16 PLATED	4							
37	1	26106-080252	BOLT, M8X 25 PLATED	3							
38	1	26106-080352	BOLT, M8X 35 PLATED	4							
39	1	26106-080502	BOLT, M8X 50 PLATED	7							
40	1	129685-11351	BONNET ASSY, HEAD	1							
41	2	129685-03010	PLATE	1							
42	2	129150-03070	BAFFLE, BREATHER	1							
43	2	129006-03120	COVER, DIAPHRAGM	1							
45	2	129601-11310	GASKET, BONNET	1							
46	2	22857-500100	SCREW, 5X10	4							
47	2	22857-500100	SCREW, 5X10	4							
48	2	24341-000400	O-RING, 1AS40.0	1							
49	1	124160-11360	KNOB	3							
50	1	24311-000120	O-RING, 1AP12.0	3							
51	1	119226-07900	LIFTER, ENGINE	1							
52	1	26106-080162	BOLT, M8X 16 PLATED	2							
53	1	129486-07930	LIFTER, ENGINE	1							
54	1	26106-080142	BOLT, M8X 14 PLATED	2							
55	1	120130-11860	GUIDE, VALVE	4							1
56	1	129150-11810	GUIDE, VALVE	4							1

Remarks
(1)Spare parts.

Fig.6. EXHAUST MANIFOLD

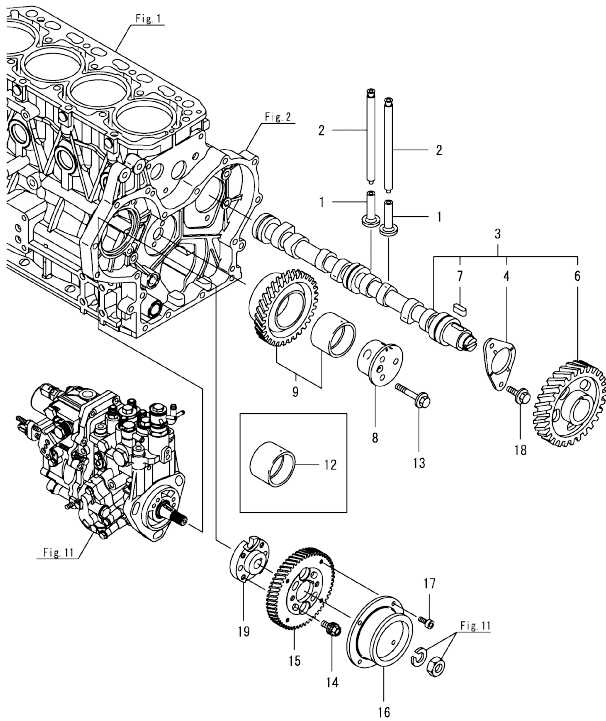


(A)=4TNV88-SND
(B)=
(C)=

(D)=
(E)=
(F)=

No.	Lev.	Parts No.	Description	Q'ty					
				(A)	(B)	(C)	(D)	(E)	(F)
1	1	129636-13100	MANIFOLD, EXHAUST	1					
2	1	129407-13110	GASKET, EXH.MANIFOLD	1					
3	1	129636-13400	COVER, MANIFOLD	1					
4	1	129E00-13620	BOLT, M8X40 10.9				7		
5	1	119802-13710	BOLT, STUD M8X40				2		
6	1	26106-060162	BOLT, M6X 16 PLATED				4		
7	1	26306-080002	NUT, M8				2		

Fig.7. CAMSHAFT & DRIVING GEAR



(A)=4TNV88-SND
(B)=
(C)=

(D)=
(E)=
(F)=

No.	Lev.	Parts No.	Description	Q'ty						I	R
				(A)	(B)	(C)	(D)	(E)	(F)		
1	1	129150-14200	TAPPET	8							
2	1	129150-14400	PUSH-ROD, L=178	8							
3	1	129486-14580	CAMSHAFT ASSY	1							
4	2	129150-02450	BEARING, THRUST	1							
6	2	129150-14101	GEAR, CAMSHAFT	1							
7	2	22512-070140	KEY, 7X 14	1							
8	1	129685-25060	SHAFT, IDLE	1							
9	1	119802-25101	GEAR ASSY, IDLE	1							
12	1	119802-25071	BUSH, IDLE GEAR	1							1
13	1	26106-080402	BOLT, M8X 40 PLATED	3							
14	1	129150-25301	BOLT	4							
15	1	129685-25900	GEAR, PUMP	1							
16	1	129685-25930	CAM, FEED PUMP	1							
17	1	26450-060162	BOLT, M6X 16	4							
18	1	26106-080142	BOLT, M8X 14 PLATED	2							
19	1	158552-51151	FLANGE	1							

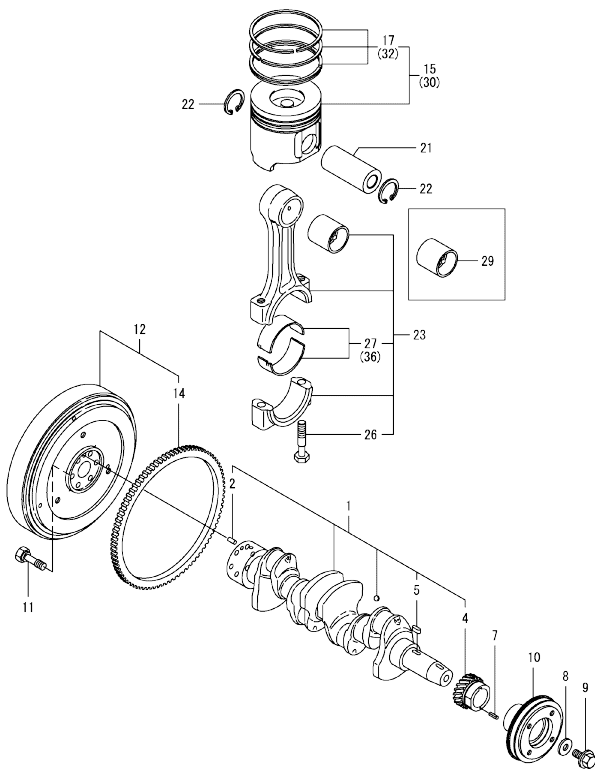
Remarks

(1)Spare parts.

Fig.8. CRANKSHAFT & PISTON

(A)=4TNV88-SND
(B)=
(C)=

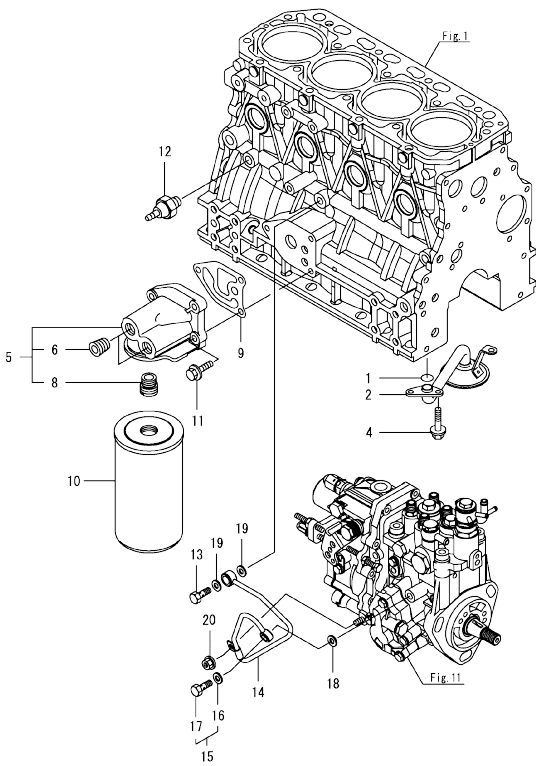
(D)=
(E)=
(F)=



No.	Lev.	Parts No.	Description	Q'ty						I	R
				(A)	(B)	(C)	(D)	(E)	(F)		
1	1	129601-21002	CRANKSHAFT ASSY	1							
2	2	129100-01580	PIN, PARALLEL 8X16	1							
4	2	119802-21202	GEAR, CRANKSHAFT	1							
5	2	22512-070140	KEY, 7X 14	1							
7	1	22351-030010	PIN, SPRING 3.0X10	1							
8	1	129795-21661	WASHER, 14	1							
9	1	121850-21680	BOLT, V-PULLEY	1							
10	1	129685-21720	PULLEY, DAMPER	1							
10-1	1	129C28-21650	V-PULLEY, CRANKSHAFT	1							R
(A=2021.05.)											
11	1	121111-21501	BOLT, FLYWHEEL	6							
12	1	129636-21590	FLYWHEEL ASSY	1							
14	2	129486-21601	GEAR, RING Z=98	1							
14-1	2	129686-21600	GEAR, RING Z=98	1							N
(A=E164659)											
15	1	129636-22080	PISTON ASSY	4							
17	2	129636-22500	RING SET, PISTON	4							
21	1	129202-22300	PIN, PISTON D26 L70	4							
22	1	22252-000260	RING, 26	8							
23	1	729402-23100	ROD ASSY, CONNECTING	4							
26	2	121550-23200	BOLT, CONNECTING ROD	8							
27	2	129150-23601	METAL ASSY, CRANK PIN	4							
29	1	129100-23910	METAL, PISTON PIN	4							1
30	1	129636-22900	PISTON ASSY, 0.25 OS	4							2
32	2	129636-22950	RING SET, PISTON .25	4							2
36	1	129150-23611	METAL, CRANK PIN .25	4							3

Remarks
(1) Spare parts.
(2) Over-sized (O.S.=0.25) parts.
(3) Under-sized (U.S.=0.25) parts.

Fig.9. LUB. OIL SYSTEM



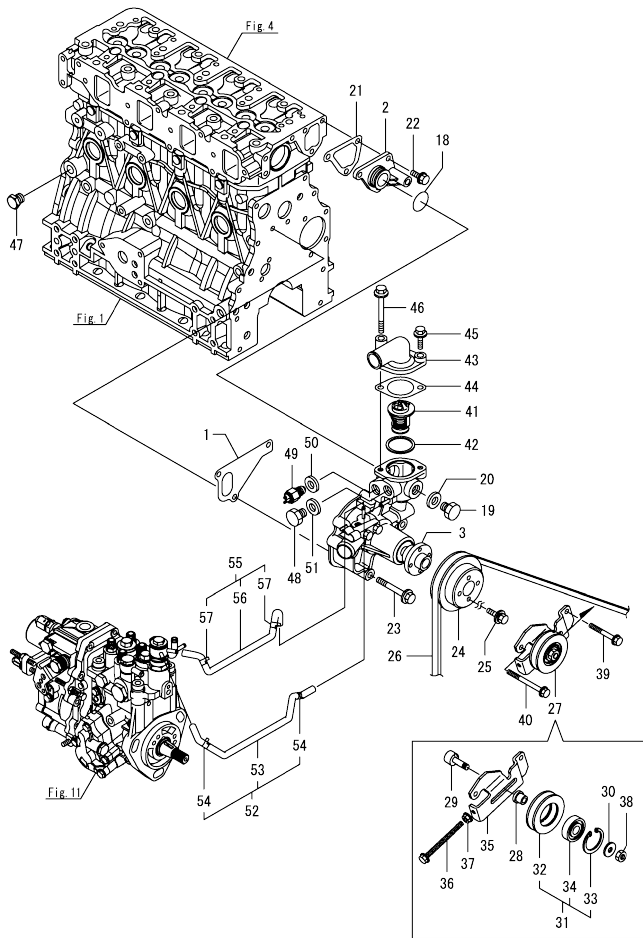
(A)=4TNV88-SND
(B)=
(C)=

(D)=
(E)=
(F)=

No.	Lev.	Parts No.	Description	Q'ty						I	R
				(A)	(B)	(C)	(D)	(E)	(F)		
1	1	129900-32030	O-RING, P20	1							
2	1	129636-35090	PIPE ASSY, OIL INLET	1							
4	1	26106-080162	BOLT, M8X 16 PLATED	1							
5	1	129636-35100	BRACKET ASSY, FILTER	1							
6	2	129033-01770	PLUG, NPT1/2	2							
8	2	129636-35200	BOLT, FILTER	1							
9	1	129103-35122	GASKET	1							
10	1	127695-35150	FILTER, OIL	1							1
11	1	26106-080252	BOLT, M8X 25 PLATED	3							
12	1	114250-39450	SWITCH, HYDRAULIC	1							
12-1	1	121252-39450	SWITCH, HYDRAULIC	1							N
(A=E122880)											
13	1	124160-39140	BOLT, PIPE JOINT M10	1							
14	1	119802-39450	PIPE ASSY, OIL	1							
15	1	129005-59830	BOLT ASSY, JOINT M8	1							
16	2	22190-080002	WASHER, SEAL 8	1							
17	2	23857-030000	BOLT, JOINT 3	1							
18	1	22190-080002	WASHER, SEAL 8	1							
19	1	22190-100002	WASHER, SEAL 10	2							
20	1	26366-060002	NUT, M6	1							

Remarks
(1)Spare parts.

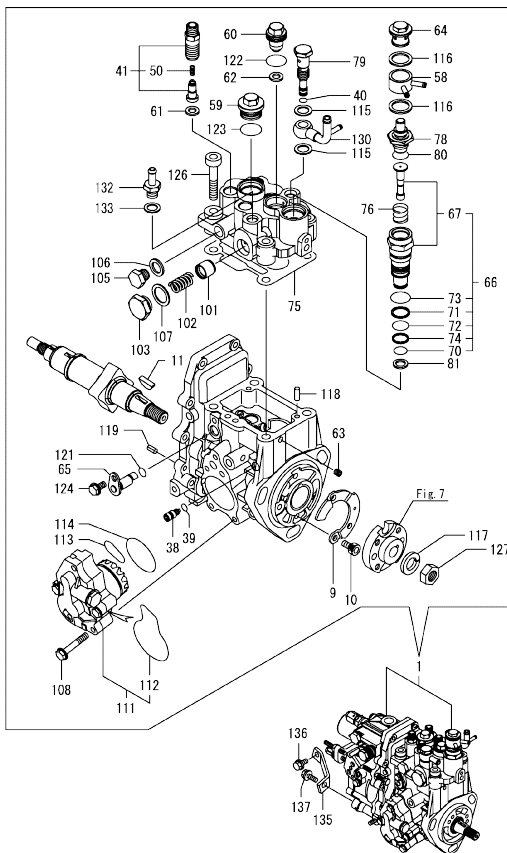
Fig.10. COOLING WATER SYSTEM



No.	Lev.	Parts No.	Description	Q'ty						I	R
				(A)	(B)	(C)	(D)	(E)	(F)		
1	1	129486-42021	GASKET, WATER PUMP	1							
2	1	129486-42040	JOINT	1							
3	1	129636-42100	PUMP ASSY, WATER	1							
18	1	129486-42140	O-RING, G30	1							
19	1	121450-42450	PLUG, M16	1							
20	1	124465-44950	GASKET, 16	1							
21	1	129486-49840	GASKET	1							
22	1	26106-080162	BOLT, M8X 16 PLATED	3							
23	1	26106-080602	BOLT, M8X 60 PLATED	3							
24	1	119515-42350	V-PULLEY, D=110	1							
25	1	26014-060162	BOLT, M6X 16	4							
26	1	129636-42290	V-BELT, A31	1							
27	1	129636-42501	TENSION ASSY, DRIVE	1							
28	2	129636-42540	SPACER	1							
29	2	129636-42550	BOLT	1							
30	2	129636-42570	WASHER, 10	1							
31	2	129636-42590	PULLEY ASSY, TENSION	1							
32	3	129636-42530	PULLEY, TENSION	1							
33	3	22252-000470	RING, 47	1							
34	3	24104-063034	BEARING, BALL 6303UU	1							
35	2	129636-42611	SUPPORT, PULLEY	1							
36	2	26106-081004	BOLT, M8X100 PLATED	1							
37	2	26366-080002	NUT, M8	1							
38	2	26756-100002	NUT, LOCK M10	1							
39	1	26106-080652	BOLT, M8X 65 PLATED	1							
40	1	26106-080902	BOLT, M8X 90 PLATED	1							
41	1	129155-49801	THERMOSTAT, 71C	1							
42	1	129150-49811	GASKET, THERMOSTAT	1							
43	1	124101-49531	COVER, THERMOSTAT	1							
44	1	129795-49551	GASKET	1							
45	1	26106-080282	BOLT, M8X 28 PLATED	1							
46	1	26106-080652	BOLT, M8X 65 PLATED	1							
47	1	171056-49120	PLUG, DRAIN R1/4	1							
48	1	121450-42450	PLUG, M16	1							
49	1	121250-44901	SWITCH, THERMO 110	1							
50	1	124465-44950	GASKET, 16	1							
51	1	124465-44950	GASKET, 16	1							
52	1	129636-49780	PIPE ASSY, WATER	1							
53	2	129004-49711	HOSE, WATER	1							
54	2	124722-59050	CLAMP, HOSE 9	2							
55	1	129636-49790	PIPE ASSY, WATER	1							
56	2	129636-49720	PIPE ASSY, WATER	1							
57	2	124722-59050	CLAMP, HOSE 9	2							

N:Old $\frac{100}{100}$ New, Q:Old $\frac{100}{100}$ New, R:Old $\frac{100}{100}$ New, S:Old $\frac{100}{100}$ New, W:Add, Z:Discontinued, F:Interchangeable by set, K:Q'ty Change
 Copyright (C) 2017 YANMAR GLOBAL CS CO., LTD. All Rights Reserved.

Fig.11. FUEL INJECTION PUMP



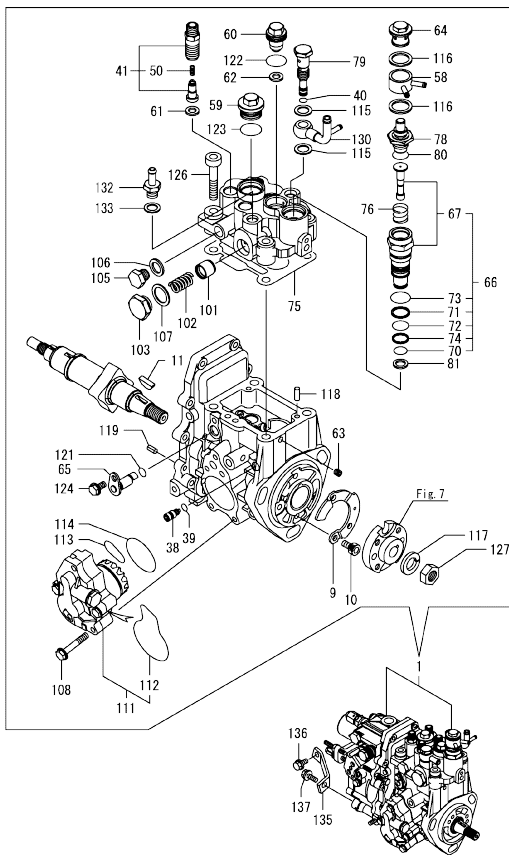
Remarks

(1)Governor(Fig.12) is incorporated in this Fuel Injection Pump(No.1).

No.	Lev.	Parts No.	Description	Q'ty						I	R
				(A)	(B)	(C)	(D)	(E)	(F)		
1	1	729636-51300	FIE ASSY	1							1
9	2	129008-51900	COVER, PUMP	1							
10	2	129008-51920	BOLT, SOCKET M6X10	2							
11	2	119802-51090	FEATHER KEY, 4X16	1							
38	2	158600-51270	STOPPER, TAPPET	1							
39	2	158563-51281	O-RING, 4D S6	1							
40	2	158563-51281	O-RING, 4D S6	1							
41	2	129509-51390	VALVE ASSY, DELIVERY	4							
50	3	158563-51330	SPRING, DELIVERY	4							
58	2	158553-51551	JOINT, COOLING WATER	1							
59	2	158601-51550	PLUG, M22	1							
60	2	119802-51560	PLUG, M14	1							
61	2	158552-51571	GASKET, PLUG	4							
62	2	158552-51571	GASKET, PLUG	1							
63	2	158557-51570	PLUG, RACK	1							
64	2	158601-51570	PLUG	1							
65	2	158552-51580	LIFTER, LINK	1							
66	2	119802-51590	TIMER ASSY	1							
67	3	119802-51600	TIMER ASSY	1							
70	3	158553-51670	O-RING	1							
71	3	119802-51680	RING, BACKUP	1							
72	3	119802-51690	O-RING	1							
73	3	24356-190200	O-RING, 4D19020	1							
74	3	24372-000150	RING, BACK UP T2P15	1							
75	2	158552-51600	GASKET	1							
76	2	158553-51630	SPRING, TIMER	1							
78	2	158553-51640	THERMOELEMENT	1							
79	2	158601-51650	JOINT, OVER FLOW	1							
80	2	158553-51660	O-RING, P14	1							
81	2	158553-51680	GASKET, TIMER	1							
101	2	158601-51770	PISTON, ACCUMULATOR	1							
102	2	158552-51781	SPRING, ACCUMULATOR	1							
103	2	158601-51790	PLUG	1							
105	2	158553-51930	PLUG, M12	1							
106	2	22190-120002	WASHER, SEAL 12	1							
107	2	22190-180002	WASHER, SEAL 18	1							
108	2	158553-51770	BOLT	4							
111	2	158552-52200	PUMP ASSY, FUEL FEED	1							
112	3	158552-52500	O-RING	1							
113	2	158552-52311	O-RING	1							
114	2	158552-52400	O-RING, 4E S42	1							
115	2	22190-120002	WASHER, SEAL 12	2							
116	2	22190-180002	WASHER, SEAL 18	2							
117	2	22217-140000	WASHER, SPRING 14	1							
118	2	22312-050140	PIN, PARALLEL 5X14	2							
119	2	22351-050010	PIN, SPRING 5.0X10	2							
121	2	24311-000070	O-RING, 1AP7.0	1							
122	2	24356-190180	O-RING, 4D19018	1							
123	2	24356-190200	O-RING, 4D19020	1							
124	2	26106-060102	BOLT, M6X 10 PLATED	1							
126	2	26450-080452	BOLT, M8X 45	4							

N:Old $\frac{New}{Old}$ New, Q:Old $\frac{New}{Old}$ New, R:Old $\frac{New}{Old}$ New, S:Old $\frac{New}{Old}$ New, W:Add, Z:Discontinued, F:Interchangeable by set, K:Q'ty Change
 ++ CONTINUE ++
 Copyright (C) 2017 YANMAR GLOBAL CS CO., LTD. All Rights Reserved.

Fig.11. FUEL INJECTION PUMP



(A)=4TNV88-SND
(B)=
(C)=

(D)=
(E)=
(F)=

No.	Lev.	Parts No.	Description	Q'ty						I	R
				(A)	(B)	(C)	(D)	(E)	(F)		
127	2	26776-140002	NUT, LOCK M14	1							
130	2	158552-51670	JOINT, OVER FLOW	1							
132	2	119934-69910	JOINT, PIPE	1							
133	2	22190-120002	WASHER, SEAL 12	1							
135	1	129601-51250	RETAINER, PUMP	1							
136	1	26106-080162	BOLT, M8X 16 PLATED	1							
137	1	26106-080202	BOLT, M8X 20 PLATED	1							

Remarks

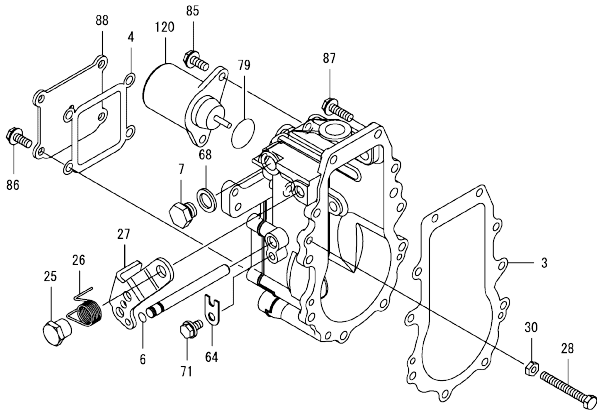
(1)Governor(Fig.12) is incorporated in this Fuel Injection Pump(No.1).

OCD50-M03050 ENGINE
 Fig.12. GOVERNOR

OCD50-M03050 Fig.12

(A)=4TNV88-SND
 (B)=
 (C)=

(D)=
 (E)=
 (F)=

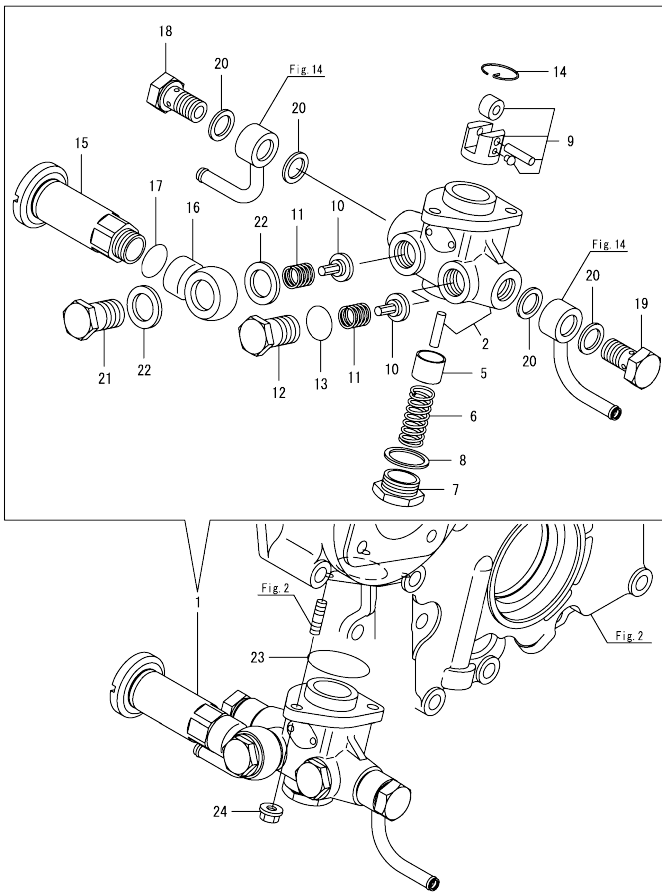


No.	Lev.	Parts No.	Description	Q'ty						I	R
				(A)	(B)	(C)	(D)	(E)	(F)		
3	2	158553-61050	GASKET	1							
4	2	158553-61070	GASKET	1							
6	2	129155-51280	O-RING, S6	1							
7	2	158553-51930	PLUG, M12	1							
25	2	129255-61410	NUT, M8	1							
26	2	119807-61420	SPRING, RETURN	1							
27	2	158552-61441	LEVER, REGULATOR	1							
28	2	129155-61461	BOLT, IDLE LIMIT	1							
30	2	119740-61470	NUT	1							
64	2	119660-61901	STOPPER, SHAFT	1							
68	2	22190-120002	WASHER, SEAL 12	1							
71	2	26106-060102	BOLT, M6X 10 PLATED	1							
79	2	158552-61900	O-RING	1							
85	2	26106-060142	BOLT, M6X 14 PLATED	2							
86	2	26106-060142	BOLT, M6X 14 PLATED	4							
87	2	26106-060202	BOLT, M6X 20 PLATED	10							
88	2	129642-61060	COVER, GOVERNOR CASE	1							
120	2	129630-77900	SOLENOID, STOP	1							

Remarks
 * This figure(Governor) is incorporated in the Fuel Injection Pump(Fig.11).

N:Old $\frac{100}{100}$ New, Q:Old $\frac{100}{100}$ New, R:Old $\frac{100}{100}$ New, S:Old $\frac{100}{100}$ New, W:Add, Z:Discontinued, F:Interchangeable by set, K:Q'ty Change
 Copyright (C) 2017 YANMAR GLOBAL CS CO., LTD. All Rights Reserved.

Fig.13. FUEL FEED PUMP

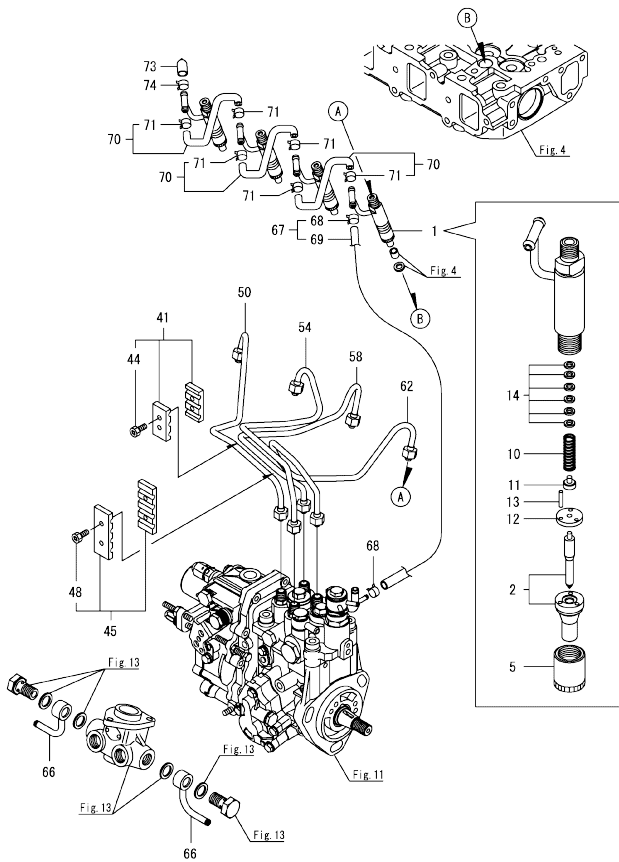


(A)=4TNV88-SND
(B)=
(C)=

(D)=
(E)=
(F)=

No.	Lev.	Parts No.	Description	Q'ty						I	R
				(A)	(B)	(C)	(D)	(E)	(F)		
1	1	129486-52011	PUMP ASSY, FUEL FEED	1							
2	2	129486-52100	BODY ASSY, PUMP	1							
5	2	129486-52130	PISTON	1							
6	2	129486-52140	SPRING, PISTON	1							
7	2	129486-52150	RETAINER	1							
8	2	129486-52160	GASKET	1							
9	2	129486-52170	TAPPET ASSY	1							
10	2	129486-52180	VALVE	2							
11	2	129486-52190	SPRING, VALVE	2							
12	2	129486-52200	RETAINER, VALVE	1							
13	2	129486-52210	O-RING	1							
14	2	129486-52220	PIN, SNAP	1							
15	2	129486-52230	PUMP, PRIMING	1							
16	2	129486-52240	ADAPTER	1							
17	2	129486-52250	O-RING	1							
18	2	129486-52260	BOLT, PIPE JOINT	1							
19	2	129486-52270	BOLT, PIPE JOINT	1							
20	2	129486-52290	GASKET	4							
21	2	129486-52300	BOLT, PIPE JOINT	1							
22	2	129486-52310	GASKET	2							
23	1	24341-000315	O-RING, 1AS31.5	1							
24	1	26366-060002	NUT, M6	3							

Fig.14. FUEL INJECTION VALVE



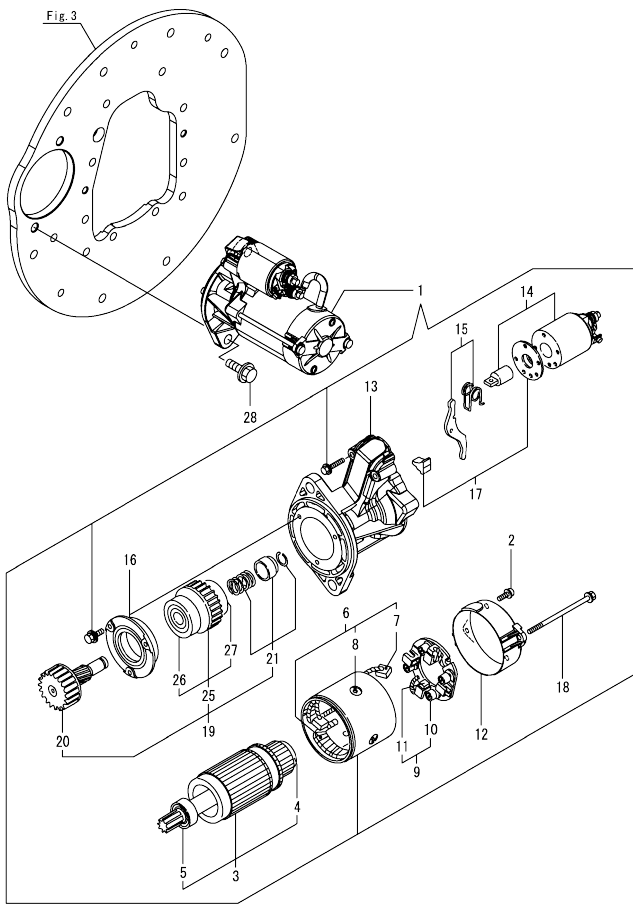
(A)=4TNV88-SND
(B)=
(C)=

(D)=
(E)=
(F)=

No.	Lev.	Parts No.	Description	Q'ty						I	R
				(A)	(B)	(C)	(D)	(E)	(F)		
1	1	729642-53100	FUEL INJECTOR ASSY	4							
2	2	129640-53001	NOZZLE ASSY, F.I.	4							
5	2	114250-53080	NUT, NOZZLE	4							
10	2	114250-53120	SPRING, NOZZLE	4							
11	2	114250-53130	SEAT, SPRING	4							
12	2	114250-53140	SPACER	4							
13	2	114250-53210	PIN	8							
14	2	119803-53400	SHIM SET	4							1
41	1	129150-59120	RETAINER, PIPE	1							
44	2	129150-59131	BOLT, M4X14	2							
45	1	129550-59120	RETAINER, PIPE	1							
48	2	129150-59131	BOLT, M4X14	2							
50	1	129601-59810	PIPE ASSY, INJECTION	1							
54	1	129601-59820	PIPE ASSY, INJECTION	1							
58	1	129601-59830	PIPE ASSY, INJECTION	1							
62	1	129601-59840	PIPE ASSY, INJECTION	1							
66	1	129636-59200	JOINT, PIPE	2							
67	1	129636-59561	PIPE ASSY, RETURN	1							
68	2	124060-77680	CLAMP, HOSE 10	2							
69	2	129636-59661	PIPE, FUEL	1							
70	1	129486-59581	HOSE, FUEL RETURN	3							
71	2	124060-77680	CLAMP, HOSE 10	6							
73	1	119593-59581	CAP	1							
74	1	124060-77680	CLAMP, HOSE 10	1							

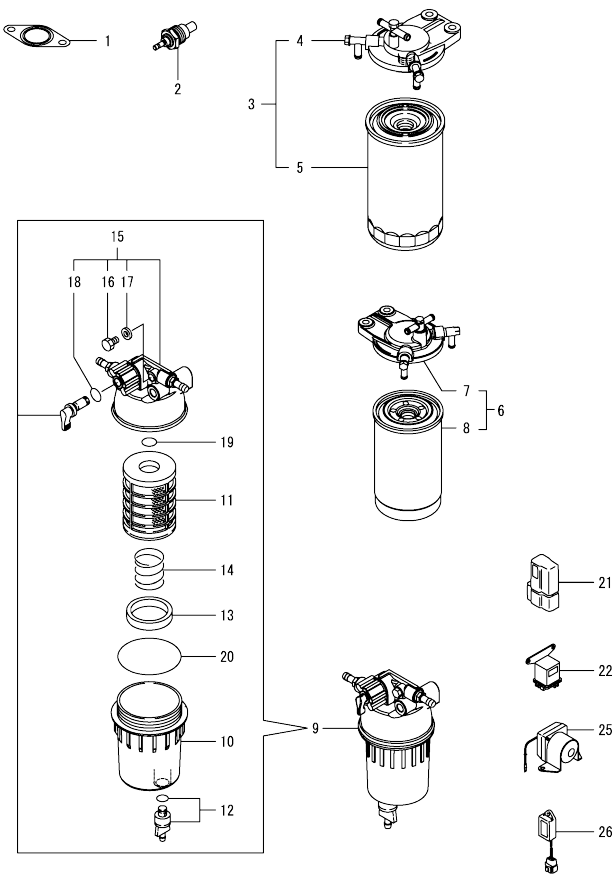
Remarks
(1)Spare parts.

Fig.15. STARTER MOTOR



No.	Lev.	Parts No.	Description	Q'ty						I	R
				(A)	(B)	(C)	(D)	(E)	(F)		
1	1	129685-77020	MOTOR, STARTER(2.3KW	1							
1-1	1	129685-77021 (A=E100303)	STARTER, 12V-2.3KW	1							R
1-2	1	129687-77010 (A=E125147)	STARTER, 12V-2.3KW	1							R
2	2	129940-77280	SCREW, M4		2						
3	2	129685-77400	ARMATURE ASSY		1						
4	3	171008-77410	BEARING, BALL 1		1						
5	3	171008-77420	BEARING, BALL 2		1						
6	2	129685-77440	COIL ASSY, FIELD		1						
6-1	2	129687-77440 (A=E125147)	COIL ASSY, FIELD		1						R
7	3	129900-77450	BRUSH, +		2						
8	3	171008-77450	SCREW, CORE SET		4						
9	2	129685-77580	HOLDER ASSY, BRUSH		1						
10	3	X2130631300	SPRING, BRUSH		4						
11	3	129900-77450	BRUSH, +		2						
12	2	129685-77560	COVER, REAR		1						
12-1	2	129687-77560 (A=E125147)	COVER, REAR		1						R
13	2	129685-77520	CASE, GEAR		1						
13-1	2	129687-77520 (A=E125147)	CASE, GEAR		1						R
14	2	129685-77530	SWITCH ASSY, MAGNET		1						
15	2	129685-77540	LEVER SET, SHIFT		1						
16	2	129685-77550	RETAINER, BEARING		1						
17	2	129685-77570	COVER KIT, DUST		1						
18	2	129685-77640	BOLT, THROUGH		2						
19	2	129685-77650	CLUTCH ASSY, PINION		1						
20	3	129685-77660	SHAFT, PINION		1						
21	3	171008-77670	STOPPER SET, PINION		1						
25	3	129685-77720	CLUTCH ASSY		1						
26	4	X2114555020	BEARING, BALL		1						
27	4	X2114955020	BEARING, BALL		1						
28	1	26106-120252	BOLT, M12X 25 PLATED		2						

Fig.16. ACCESSORY

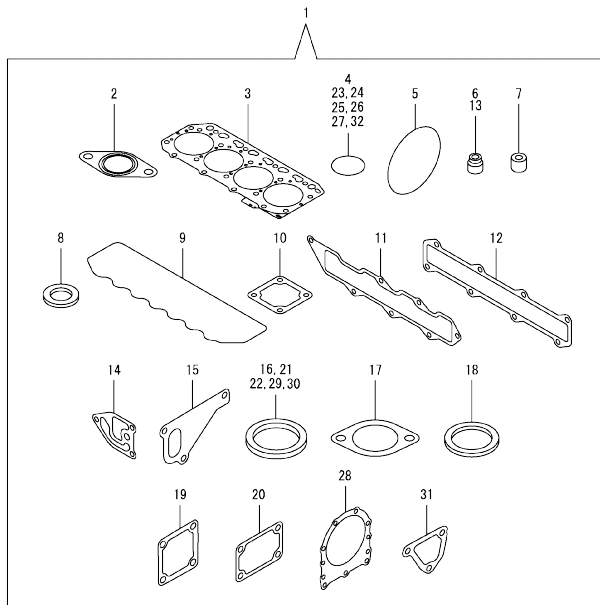


(A)=4TNV88-SND
(B)=
(C)=

(D)=
(E)=
(F)=

No.	Lev.	Parts No.	Description	Q'ty						I	R
				(A)	(B)	(C)	(D)	(E)	(F)		
1	1	129636-13200	GASKET	3							
2	1	124250-49351	SENSOR, WATER TEMP.	1							
3	1	129636-55600	FILTER ASSY, FUEL	1							
4	2	119934-55611	BRACKET, FILTER	1							
5	2	123907-55801	FILTER, FUEL	1							
6	1	129940-55620	FILTER ASSY, FUEL	1							
7	2	119934-55611	BRACKET, FILTER	1							
8	2	129907-55801	FILTER, FUEL	1							
9	1	129267-55700	FILTER, FUEL OIL PRE	1							
10	2	129242-55720	CUP, SEPARATOR	1							
11	2	129630-55731	ELEMENT, FO FILTER	1							
12	2	129242-55740	PLUG, DRAIN	1							
13	2	129242-55770	FLOAT	1							
14	2	129630-55780	SPRING	1							
15	2	129267-55800	BODY ASSY	1							
16	3	129242-55750	VALVE, AIR VENT	1							
17	3	129242-55760	GASKET, PLUG	1							
18	3	24311-000160	O-RING, 1AP16.0	1							
19	2	24311-000160	O-RING, 1AP16.0	1							
20	2	24321-000750	O-RING, 1AG75.0	1							
21	1	119643-66900	DIODE	1							
22	1	119650-77911	RELAY ASSY, GLOW	1							
25	1	129100-77910	RELAY, MAGNETIC	2							
26	1	129211-77920	TIMER	1							

Fig.17. GASKET SET



No.	Lev.	Parts No.	Description	Q'ty						I	R
				(A)	(B)	(C)	(D)	(E)	(F)		
1	1	729685-92610	GASKET SET	1							1
2	2	129636-13200	GASKET	3							
3	2	129685-01330	GASKET, HEAD	1							
4	2	129486-42140	O-RING, G30	1							
5	2	121850-51960	O-RING	1							
6	2	124460-11340	SEAL, VALVE STEM	4							
7	2	119802-11870	PROTECTOR, NOZZLE	4							
8	2	119625-11880	SEAT, NOZZLE	4							
9	2	129601-11310	GASKET, BONNET	1							
10	2	129150-77511	GASKET, AIR HEATER	1							
11	2	129407-12110	GASKET, MANIFOLD	1							
12	2	129407-13110	GASKET, EXH.MANIFOLD	1							
13	2	121400-11340	SEAL, VALVE STEM	4							
14	2	129103-35122	GASKET	1							
15	2	129486-42021	GASKET, WATER PUMP	1							
16	2	124465-44950	GASKET, 16	3							
17	2	129795-49551	GASKET	1							
18	2	129150-49811	GASKET, THERMOSTAT	1							
19	2	129100-77510	GASKET, AIR HEATER	1							
20	2	129486-11681	GASKET	1							
21	2	22190-100002	WASHER, SEAL 10	2							
22	2	22190-080002	WASHER, SEAL 8	6							
23	2	24311-000120	O-RING, 1AP12.0	3							
24	2	24341-000400	O-RING, 1AS40.0	1							
25	2	129900-32030	O-RING, P20	3							
26	2	119609-32040	O-RING, P16	2							
27	2	129486-01830	O-RING, P32	1							
28	2	129486-01660	GASKET	1							
29	2	22190-220002	WASHER, SEAL 22	1							
30	2	23414-060000	GASKET, 6X1.0	1							
31	2	129486-49840	GASKET	1							
32	2	24341-000315	O-RING, 1AS31.5	1							

Remarks
(1)Optional parts.

Parts No. Index

Parts No.	Fig. No.	Ref. No.	Parts No.	Fig. No.	Ref. No.	Parts No.	Fig. No.	Ref. No.	Parts No.	Fig. No.	Ref. No.
114250-39450	9	12	121252-39450	9	12 -1	129100-11112	4	23	129410-03990	5	2
114250-53080	14	5	121400-11340	4	27	129100-23910	8	29	129418-32320	2	23
114250-53120	14	10		17	13	129100-77510	5	9	129486-01650	3	22
114250-53130	14	11	121450-42450	10	19		17	19	129486-01660	3	23
114250-53140	14	12			48	129100-77910	16	25		17	28
114250-53210	14	13	121550-23200	8	26	129103-35122	9	9	129486-01670	3	24
119226-07900	4	51	121850-21680	8	9		17	14	129486-01780	3	25
119285-01731	4	14	121850-51960	2	28	129150-01200	1	28	129486-01830	3	16
119309-01810	1	39		17	5	129150-02020	1	9		17	27
119515-42350	10	24	123907-55801	16	5	129150-02450	7	4	129486-07930	4	53
119593-59581	14	73	124060-01050	1	4	129150-02871	1	33	129486-11120	4	24
119609-32040	2	19	124060-77680	14	68	129150-02931	1	24	129486-11670	4	13
	17	26			71	129150-02941	1	36	129486-11681	4	16
119625-11880	4	32			74	129150-03070	4	42		17	20
	17	8	124085-01771	3	12	129150-11230	4	8	129486-12581	5	7
119640-01640	3	10	124101-49531	10	43	129150-11280	4	6	129486-14580	7	3
119643-66900	16	21	124160-01751	2	14	129150-11370	4	12	129486-21601	8	14
119650-77911	16	22	124160-01910	1	6	129150-11750	4	10	129486-42021	10	1
119660-61901	12	64			7	129150-11810	4	56		17	15
119740-61470	12	30	124160-11360	4	49	129150-14101	7	6	129486-42040	10	2
119802-01561	2	6	124160-39140	9	13	129150-14200	7	1	129486-42140	10	18
119802-11260	4	4	124240-01871	2	16	129150-14400	7	2		17	4
119802-11270	4	5	124250-49351	16	2	129150-23601	8	27	129486-49840	10	21
119802-11870	4	31	124460-11340	4	28	129150-23611	8	36		17	31
	17	7		17	6	129150-25301	7	14	129486-52011	13	1
119802-13710	6	5	124465-44950	10	20	129150-49811	10	42	129486-52100	13	2
119802-21202	8	4			50		17	18	129486-52130	13	5
119802-25071	7	12			51	129150-59120	14	41	129486-52140	13	6
119802-25101	7	9		17	16	129150-59131	14	44	129486-52150	13	7
119802-32111	2	25	124722-59050	10	54			48	129486-52160	13	8
119802-32120	2	26			57	129150-77511	5	10	129486-52170	13	9
119802-32130	2	27	127695-35150	9	10		17	10	129486-52180	13	10
119802-39450	9	14	129001-01250	1	5	129155-49801	10	41	129486-52190	13	11
119802-51090	11	11	129001-02931	1	30	129155-51020	2	13	129486-52200	13	12
119802-51560	11	60	129001-32330	2	24	129155-51280	12	6	129486-52210	13	13
119802-51590	11	66	129004-01190	1	27	129155-61461	12	28	129486-52220	13	14
119802-51600	11	67	129004-11130	4	25	129202-22300	8	21	129486-52230	13	15
119802-51680	11	71	129004-11650	4	7	129211-77920	16	26	129486-52240	13	16
119802-51690	11	72	129004-11900	4	33	129242-55720	16	10	129486-52250	13	17
119803-53400	14	14	129004-49711	10	53	129242-55740	16	12	129486-52260	13	18
119807-61420	12	26	129005-03080	5	1	129242-55750	16	16	129486-52270	13	19
119885-01990	4	19	129005-59830	9	15	129242-55760	16	17	129486-52290	13	20
119934-01800	2	12	129006-03120	4	43	129242-55770	16	13	129486-52300	13	21
119934-55611	16	4	129008-51900	11	9	129255-61410	12	25	129486-52310	13	22
		7	129008-51920	11	10	129267-55700	16	9	129486-59581	14	70
119934-59910	11	132	129033-01770	9	6	129267-55800	16	15	129509-51390	11	41
120130-11860	4	55	129100-01580	2	7	129407-12110	5	4	129550-59120	14	45
120270-54410	4	34		3	1		17	11	129579-77500	5	8
121111-21501	8	11			21	129407-13110	6	2	129601-11241	4	1
121250-44901	10	49		8	2		17	12	129601-11251	4	2

Parts No. Index

Parts No.	Fig. No.	Ref. No.
129601-11310	4	45
	17	9
129601-21002	8	1
129601-51250	11	135
129601-59810	14	50
129601-59820	14	54
129601-59830	14	58
129601-59840	14	62
129602-12101	5	3
129630-55731	16	11
129630-55780	16	14
129630-77900	12	120
129636-01630	3	2
129636-01770	3	5
129636-01780	3	9
129636-01791	3	15
129636-13100	6	1
129636-13200	16	1
	17	2
129636-13400	6	3
129636-21590	8	12
129636-22080	8	15
129636-22500	8	17
129636-22900	8	30
129636-22950	8	32
129636-35090	9	2
129636-35100	9	5
129636-35200	9	8
129636-42100	10	3
129636-42290	10	26
129636-42501	10	27
129636-42530	10	32
129636-42540	10	28
129636-42550	10	29
129636-42570	10	30
129636-42590	10	31
129636-42611	10	35
129636-49720	10	56
129636-49780	10	52
129636-49790	10	55
129636-55600	16	3
129636-59200	14	66
129636-59561	14	67
129636-59661	14	69
129640-53001	14	2
129642-61060	12	88
129685-01330	1	29
	17	3
129685-01490	2	1
129685-01550	2	3

Parts No.	Fig. No.	Ref. No.
129685-01560	2	4
129685-01571	2	5
129685-01590	2	8
129685-03010	4	41
129685-11351	4	40
129685-11700	4	17
129685-21720	8	10
129685-25060	7	8
129685-25900	7	15
129685-25930	7	16
129685-32070	2	21
129685-32100	2	20
129685-77020	15	1
129685-77021	15	1 -1
129685-77400	15	3
129685-77440	15	6
129685-77520	15	13
129685-77530	15	14
129685-77540	15	15
129685-77550	15	16
129685-77560	15	12
129685-77570	15	17
129685-77580	15	9
129685-77640	15	18
129685-77650	15	19
129685-77660	15	20
129685-77720	15	25
129686-21600	8	14 -1
129687-77010	15	1 -2
129687-77440	15	6 -1
129687-77520	15	13 -1
129687-77560	15	12 -1
129795-01950	2	17
129795-02412	1	12
129795-11180	4	26
129795-21661	8	8
129795-49551	10	44
	17	17
129900-32030	2	18
	9	1
	17	25
129900-32130	2	22
129900-77450	15	7
		11
129907-55801	16	8
129940-55620	16	6
129940-77280	15	2
129C28-21650	8	10 -1
129E00-13620	6	4
158552-51151	7	19

Parts No.	Fig. No.	Ref. No.
158552-51571	11	61
		62
158552-51580	11	65
158552-51600	11	75
158552-51670	11	130
158552-51781	11	102
158552-52200	11	111
158552-52311	11	113
158552-52400	11	114
158552-52500	11	112
158552-61441	12	27
158552-61900	12	79
158553-51551	11	58
158553-51630	11	76
158553-51640	11	78
158553-51660	11	80
158553-51670	11	70
158553-51680	11	81
158553-51770	11	108
158553-51930	11	105
	12	7
158553-61050	12	3
158553-61070	12	4
158557-51570	11	63
158563-51281	11	39
		40
158563-51330	11	50
158600-51270	11	38
158601-51550	11	59
158601-51570	11	64
158601-51650	11	79
158601-51770	11	101
158601-51790	11	103
171008-77410	15	4
171008-77420	15	5
171008-77450	15	8
171008-77670	15	21
171051-01921	1	8
171056-49120	10	47
22190-080002	2	30
	9	16
		18
	17	22
22190-100002	9	19
	17	21
22190-120002	11	106
		115
		133
	12	68
22190-180002	11	107

Parts No.	Fig. No.	Ref. No.
22190-180002	11	116
22190-220002	3	14
	17	29
22217-140000	11	117
22252-000260	8	22
22252-000470	10	33
22312-050140	11	118
22351-030010	8	7
22351-050010	11	119
22351-060012	4	35
22512-070140	7	7
	8	5
22857-500100	4	46
		47
23414-060000	3	7
	17	30
23857-030000	9	17
23876-010000	2	10
23876-030000	2	11
24104-063034	10	34
24311-000070	11	121
24311-000120	4	50
	17	23
24311-000160	16	18
		19
24311-000320	2	15
24321-000750	16	20
24341-000315	13	23
	17	32
24341-000400	4	48
	17	24
24356-190180	11	122
24356-190200	11	73
		123
24372-000150	11	74
26014-060162	10	25
26106-060102	3	8
	11	124
	12	71
26106-060142	12	85
		86
26106-060162	6	6
26106-060202	12	87
26106-080122	2	31
26106-080142	4	54
	7	18
26106-080162	2	32
	4	36
		52
	9	4

Parts No. Index

Parts No.	Fig. No.	Ref. No.
26106-080162	10	22
	11	136
26106-080202	5	5
	11	137
26106-080252	3	18
	4	37
	9	11
26106-080282	10	45
26106-080352	3	28
	4	38
26106-080402	5	11
	7	13
26106-080452	2	33
	3	19
26106-080502	4	39
26106-080552	2	34
26106-080602	10	23
26106-080652	10	39
		46
26106-080802	5	6
26106-080852	2	29
26106-080902	3	20
	10	40
26106-081004	10	36
26106-081202	3	17
26106-120252	15	28
26206-100202	3	3
26206-100252	3	4
26226-080182	4	11
26306-080002	2	35
	6	7
26366-060002	9	20
	13	24
26366-080002	10	37
26450-060162	7	17
26450-080452	11	126
26756-100002	10	38
26776-140002	11	127
27241-120000	1	13
27241-300000	1	14
27310-080001	4	29
729402-23100	8	23
729602-01560	1	1
729636-51300	11	1
729642-53100	14	1
729685-92610	17	1
X2114555020	15	26
X2114955020	15	27
X2130631300	15	10

Parts No.	Fig. No.	Ref. No.
-----------	----------	----------

Parts No.	Fig. No.	Ref. No.
-----------	----------	----------

Parts No.	Fig. No.	Ref. No.
-----------	----------	----------