

0CV10-M97300EN

PREFACE

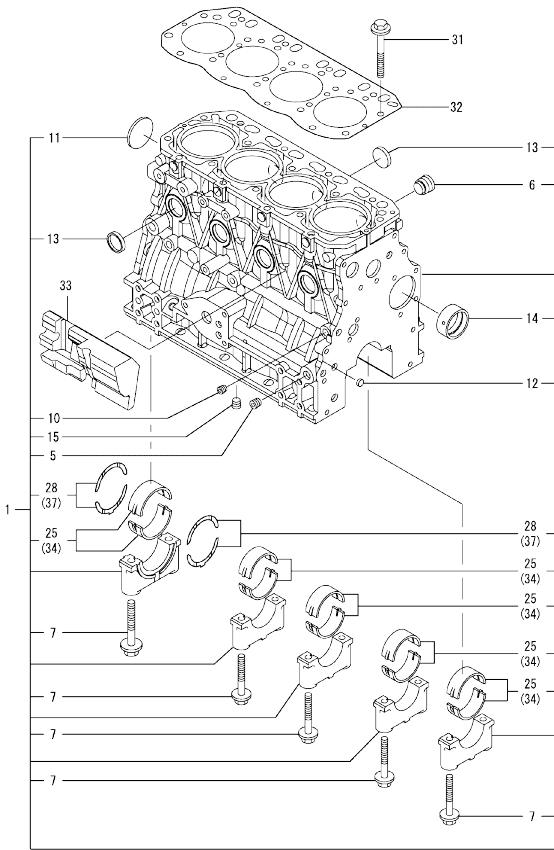
- 1.This Parts Catalog carries all parts incorporated in YANMAR Model 4TNV88-SSU engine manufactured since April, 2004.
- 2.Each illustration corresponds to the parts list on the following page.
- 3.When ordering parts,clearly write down the engine model and serial number,as well as the name and number of each part in your order sheet. This will help insure reliable delivery of the parts you have ordered.

Contents

0CV10-M97300

Fig. No.	Fig. Name	Fig. No.	Fig. Name
ENGINE			
1.	CYLINDER BLOCK		
2.	GEAR HOUSING		
3.	FLYWHEEL HOUSING & OIL SUMP		
4.	CYLINDER HEAD & BONNET		
5.	SUCTION MANIFOLD & AIR CLEANER		
6.	EXHAUST MANIFOLD & SILENCER		
7.	CAMSHAFT & DRIVING GEAR		
8.	CRANKSHAFT & PISTON		
9.	LUB. OIL SYSTEM		
10.	COOLING WATER SYSTEM		
11.	FUEL INJECTION PUMP		
12.	FUEL INJECTION VALVE		
13.	FUEL PIPING		
14.	STARTING MOTOR		
15.	GENERATOR		
16.	GASKET SET		

Fig.1. CYLINDER BLOCK



(A)=4TNV88-SSU
(B)=
(C)=

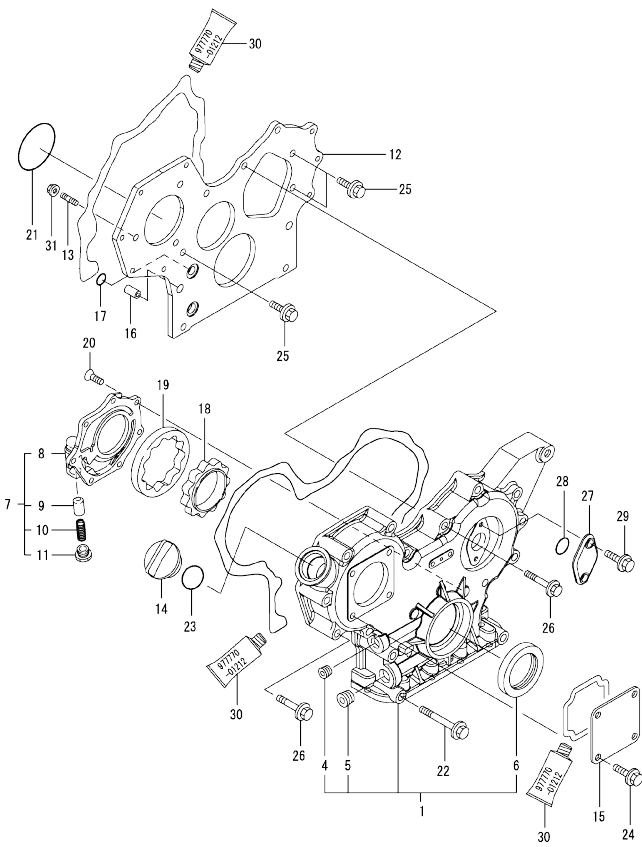
(D)=
(E)=
(F)=

No.	Lev.	Parts No.	Description	Q'ty						I	R
				(A)	(B)	(C)	(D)	(E)	(F)		
1	1	729602-01560	BLOCK ASSY, CYLINDER	1							
5	2	124160-01910	PLUG, PT1/4	2							
6	2	171051-01921	PLUG, NPTF1	1							
7	2	129150-02020	BOLT, METAL CAP	10							
10	2	124060-01050	PLUG, PT1/8	1							
11	2	129001-01250	PLUG, 50	1							
12	2	27241-120000	PLUG, 12	2							
13	2	27241-300000	PLUG 30	8							
14	2	129795-02411	BUSH, CAMSHAFT	1							
15	2	124160-01910	PLUG, PT1/4	1							
25	2	129001-02930	BEARING, MAIN	5							3
28	2	129150-02930	BEARING, THRUST	2							
31	1	129150-01200	BOLT, HEAD	18							
32	1	129407-01340	GASKET, HEAD	1							
33	1	129004-01190	SPACER	1							
34	1	129150-02870	BEARING, 0.25 US	5							1
37	1	129150-02940	BEARING, THRUST 0.25	1							2

Remarks

- (1) Under-sized (U.S.=0.25) parts.
- (2) Over-sized (O.S.=0.25) parts.
- (3) Repair parts.

Fig.2. GEAR HOUSING



(A)=4TNV88-SSU
(B)=
(C)=

(D)=
(E)=
(F)=

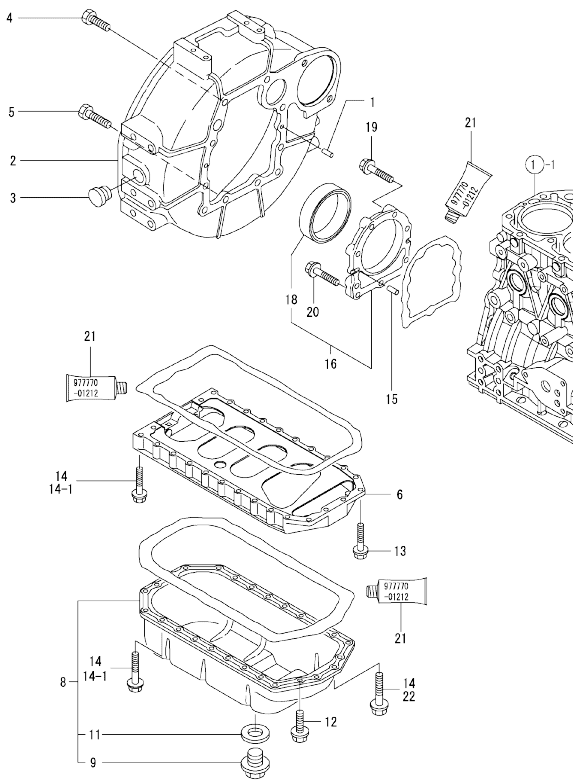
No.	Lev.	Parts No.	Description	Qty						I	R	
				(A)	(B)	(C)	(D)	(E)	(F)			
1	1	729233-01500	CASE ASSY, GEAR	1								
4	2	23876-030000	PLUG, R03	1								
5	2	23876-040000	PLUG, R04	1								
6	2	119934-01800	SEAL, OIL	1								
7	1	119802-32100	COVER ASSY	1								
8	2	119802-32070	COVER	1								
9	2	129900-32130	VALVE, RELIEF	1								
10	2	129418-32320	SPRING	1								
11	2	129001-32330	PLUG	1								
12	1	119802-01520	FLANGE, GEAR CASE	1								
13	1	119802-01560	STUD, M8X25	3								
14	1	124160-01751	COVER, FILLER	1								
15	1	124240-01871	COVER	1								
16	1	129795-01950	PIPE, KNOCK L=18	2								
17	1	119609-32040	O-RING, P16	4								
18	1	119802-32111	ROTOR, INNER	1								
19	1	119802-32120	ROTOR, OUTER	1								
20	1	119802-32130	SCREW, M6X16	7								
21	1	121850-51960	O-RING	1								
22	1	129001-91841	BOLT, M8X85	3								
23	1	24311-000320	O-RING, 1AP32.0	1								
24	1	26106-080162	BOLT, M8X 16 PLATED	4								
25	1	26106-080162	BOLT, M8X 16 PLATED	3								
26	1	26106-080552	BOLT, M8X 55 PLATED	12								
27	1	121023-01550	COVER	1								
28	1	24341-000240	O-RING, 1AS24.0	1								
29	1	26106-060162	BOLT, M6X 16 PLATED	2								
30	1	977770-01212	GASKET, LIQUID	1								1
31	1	26306-080002	NUT, M8	3								

Remarks

(1)Optional parts.

N:Old $\frac{New}{Old}$ New, Q:Old $\frac{New}{Old}$ New, R:Old $\frac{New}{Old}$ New, S:Old $\frac{New}{Old}$ New, W:Add, Z:Discontinued, F:Interchangeable by set, K:Qty Change
Copyright (C) YANMAR CO., LTD. All Rights Reserved.

Fig.3. FLYWHEEL HOUSING & OIL SUMP



(A)=4TNV88-SSU
(B)=
(C)=

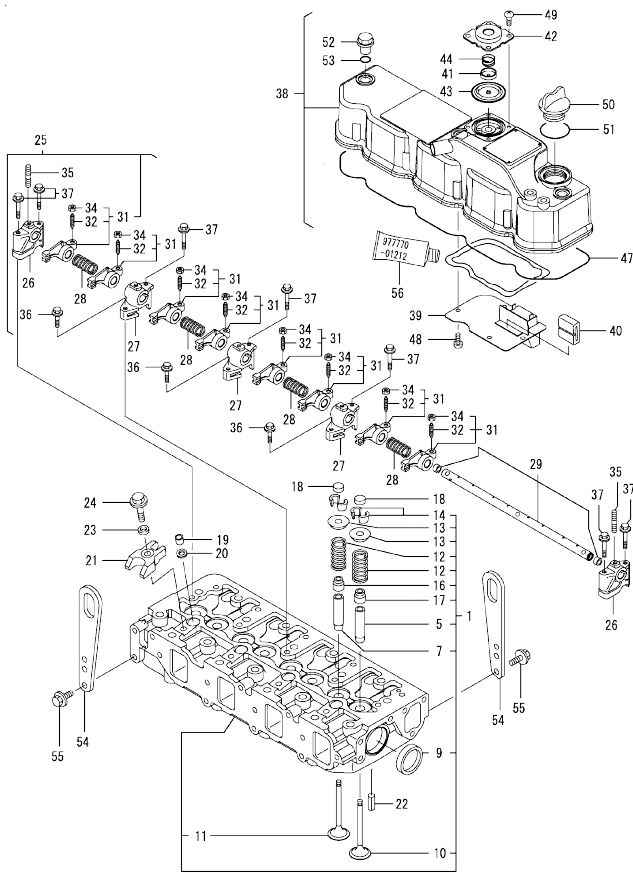
(D)=
(E)=
(F)=

No.	Lev.	Parts No.	Description	Q'ty						I	R
				(A)	(B)	(C)	(D)	(E)	(F)		
1	1	129100-01580	PIN, M8X16	2							
2	1	129612-01600	HOUSING, FLYWHEEL	1							
3	1	119620-01750	CAP	1							
4	1	26206-100252	BOLT, M10X 25 PLATED	6							
5	1	26206-100302	BOLT, M10X 30 PLATED	4							
6	1	129400-01730	SPACER, OIL SUMP	1							
8	1	129436-01780	SUMP ASSY, OIL	1							
9	2	119640-01640	PLUG, DRAIN M22	1							
11	2	22190-220002	WASHER, SEAL 22	1							
12	1	26106-080162	BOLT, M8X 16 PLATED	4							
13	1	26106-080252	BOLT, M8X 25 PLATED	2							
14	1	26106-080452	BOLT, M8X 45 PLATED	24							
14-1	1	26106-080452	BOLT, M8X 45 PLATED	20							K
(A=FROM 1ST)											
15	1	129100-01580	PIN, M8X16	2							
16	1	129100-01640	CASE ASSY, OIL SEAL	1							
18	2	129795-01780	SEAL, OIL	1							
19	1	129486-01670	BOLT, M8X30	6							
20	1	26106-080352	BOLT, M8X 35 PLATED	3							
21	1	977770-01212	GASKET, LIQUID	1							1
22	1	26106-080502	BOLT, M8X 50 PLATED	4							W
(A=FROM 1ST)											

Remarks
(1)Optional parts.

N:Old $\frac{100}{100}$ New, Q:Old $\frac{100}{100}$ New, R:Old $\frac{100}{100}$ New, S:Old $\frac{100}{100}$ New, W:Add, Z:Discontinued, F:Interchangeable by set, K:Q'ty Change
Copyright (C) YANMAR CO., LTD. All Rights Reserved.

Fig.4. CYLINDER HEAD & BONNET



(A)=4TNV88-SSU
(B)=
(C)=

(D)=
(E)=
(F)=

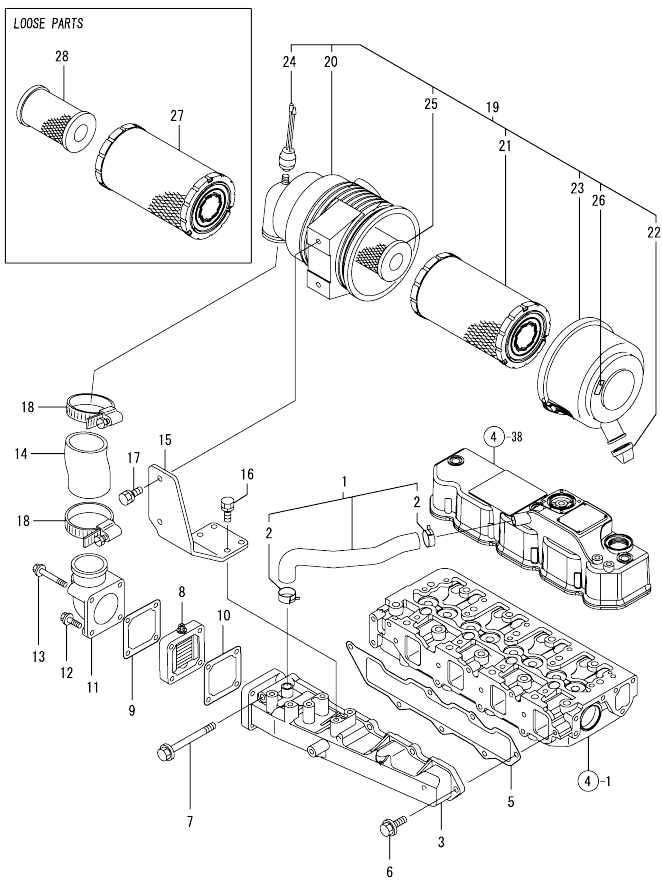
No.	Lev.	Parts No.	Description	Q'ty						I	R
				(A)	(B)	(C)	(D)	(E)	(F)		
1	1	129601-11700	HEAD ASSY, CYLINDER	1							
5	2	120130-11860	GUIDE, VALVE	4							1
7	2	129150-11810	GUIDE, VALVE	4							1
9	2	27241-400000	PLUG, 40	2							
10	2	129004-11100	VALVE, INTAKE	4							
11	2	129100-11110	VALVE, EXHAUST	4							
12	2	129795-11120	SPRING, VALVE	8							
13	2	129795-11180	RETAINER, SPRING	8							
14	2	27310-080001	COTTER, 8	8							
16	2	121400-11340	SEAL, VALVE STEM	4							
17	2	124460-11340	SEAL, VALVE STEM	4							
18	1	129150-11370	CAP, VALVE	8							
19	1	119802-11870	PROTECTOR, NOZZLE	4							
20	1	119625-11880	SEAT, NOZZLE	4							
21	1	129004-11900	RETAINER, NOZZLE	4							
22	1	22351-060012	PIN, SPRING 6.0X12	2							
23	1	120270-54410	WASHER, INJECTOR	4							
24	1	26106-080352	BOLT, M8X 35 PLATED	4							
25	1	129601-11241	SHAFT ASSY, ROCKER	1							
26	2	119802-11260	SUPPORT, ROCKER ARM	2							
27	2	119802-11270	SUPPORT, ROCKER ARM	3							
28	2	129150-11280	SPRING	4							
29	2	129601-11251	SHAFT, ROCKER ARM	1							
31	2	129004-11650	ARM, ROCKER	8							
32	3	129150-11230	SCREW, VALVE ADJUST	8							
34	3	129150-11750	NUT, M8	8							
35	2	26226-080182	STUD, M8X 18	3							
36	1	26106-080252	BOLT, M8X 25 PLATED	3							
37	1	26106-080502	BOLT, M8X 50 PLATED	7							
38	1	129601-11350	BONNET ASSY, HEAD	1							
39	2	129004-03010	PLATE	1							
40	2	129150-03070	BAFFLE, BREATHER	1							
41	2	119802-03110	PLATE	1							
42	2	119802-03121	COVER, DIAPHRAGM	1							
43	2	119802-03130	DIAPHRAGM	1							
44	2	119802-03141	SPRING, DIAPHRAGM	1							
47	2	129601-11310	GASKET, BONNET	1							
48	2	22857-500100	SCREW, 5X10	4							
49	2	22857-500100	SCREW, 5X10	4							
50	1	124160-01751	COVER, FILLER	1							
51	1	24311-000320	O-RING, 1AP32.0	1							
52	1	124160-11360	KNOB	3							
53	1	24311-000120	O-RING, 1AP12.0	3							
54	1	129900-07900	LIFTER	2							
55	1	26106-080142	BOLT, M8X 14 PLATED	4							
56	1	977770-01212	GASKET, LIQUID	1							2

Remarks

- (1)Repair parts.
- (2)Optional parts.

N:Old $\frac{100}{100}$ New, Q:Old $\frac{100}{100}$ New, R:Old $\frac{100}{100}$ New, S:Old $\frac{100}{100}$ New, W:Add, Z:Discontinued, F:Interchangeable by set, K:Q'ty Change
Copyright (C) YANMAR CO., LTD. All Rights Reserved.

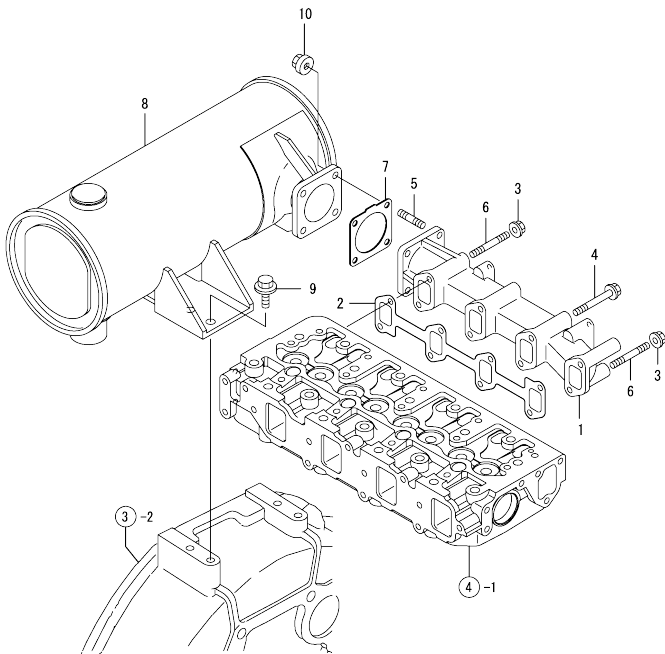
Fig.5. SUCTION MANIFOLD & AIR CLEANER



No.	Lev.	Parts No.	Description	Q'ty						I	R
				(A)	(B)	(C)	(D)	(E)	(F)		
1	1	129601-03080	PIPE , BREATHER	1							
2	2	129410-03990	CLIP	2							
3	1	129601-12100	MANIFOLD, AIR INTAKE	1							
5	1	129407-12110	GASKET, MANIFOLD	1							
6	1	26106-080202	BOLT, M8X 20 PLATED	6							
7	1	26106-080802	BOLT, M8X 80 PLATED	1							
8	1	129100-77500	HEATER, AIR 12V	1							
9	1	129100-77510	GASKET	1							
10	1	129150-77511	GASKET	1							
11	1	171340-77520	BEND	1							
12	1	26106-080402	BOLT, M8X 40 PLATED	2							
13	1	26106-080802	BOLT, M8X 80 PLATED	2							
14	1	119910-12210	PIPE, AIR INTAKE	1							
15	1	119802-12560	BRACKET, AIR CLEANER	1							
16	1	26013-080222	BOLT, M8X 22	4							
17	1	26013-080222	BOLT, M8X 22	2							
18	1	23000-060000	CLAMP, 60	2							
19	1	119910-12610	CLEANER ASSY, AIR	1							
20	2	119910-12510	BODY, AIR CLEANER	1							
21	2	119808-12520	ELEMENT	1							
22	2	119808-12540	VALVE, UNLOADER	1							
23	2	119866-12541	COVER ASSY	1							
24	2	119140-12680	INDICATOR	1							
25	2	129051-12530	ELEMENT	1							
26	2	129612-12650	LABEL, MARKING	1							
27	1	119808-12520	ELEMENT	1							
28	1	129051-12530	ELEMENT	1							

N:Old $\frac{New}{Old}$ New, Q:Old $\frac{New}{Old}$ New, R:Old $\frac{New}{Old}$ New, S:Old $\frac{New}{Old}$ New, W:Add, Z:Discontinued, F:Interchangeable by set, K:Qty Change
 Copyright (C) YANMAR CO., LTD. All Rights Reserved.

Fig.6. EXHAUST MANIFOLD & SILENCER

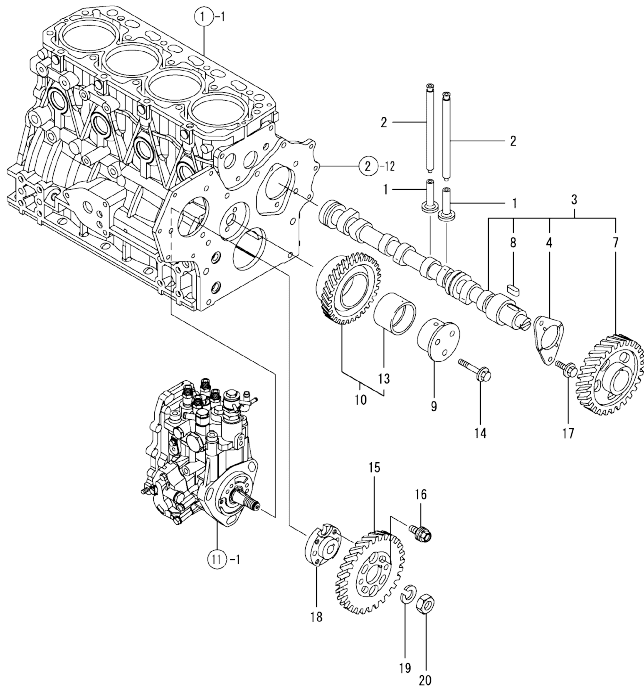


(A)=4TNV88-SSU
(B)=
(C)=

(D)=
(E)=
(F)=

No.	Lev.	Parts No.	Description	Q'ty					
				(A)	(B)	(C)	(D)	(E)	(F)
1	1	129640-13109	MANIFOLD, EXHAUST	1					
2	1	129550-13110	GASKET	1					
3	1	26306-080002	NUT, M8	2					
4	1	123900-13630	BOLT, M8X80	6					
5	1	119131-18320	STUD, M8X22	4					
6	1	123900-13610	STUD, M8X80	2					
7	1	129930-13200	GASKET, SILENCER	1					
8	1	129640-13550	SILENCER	1					
9	1	26106-100202	BOLT, M10X 20 PLATED	2					
10	1	26306-080002	NUT, M8	4					

Fig.7. CAMSHAFT & DRIVING GEAR



(A)=4TNV88-SSU
(B)=
(C)=

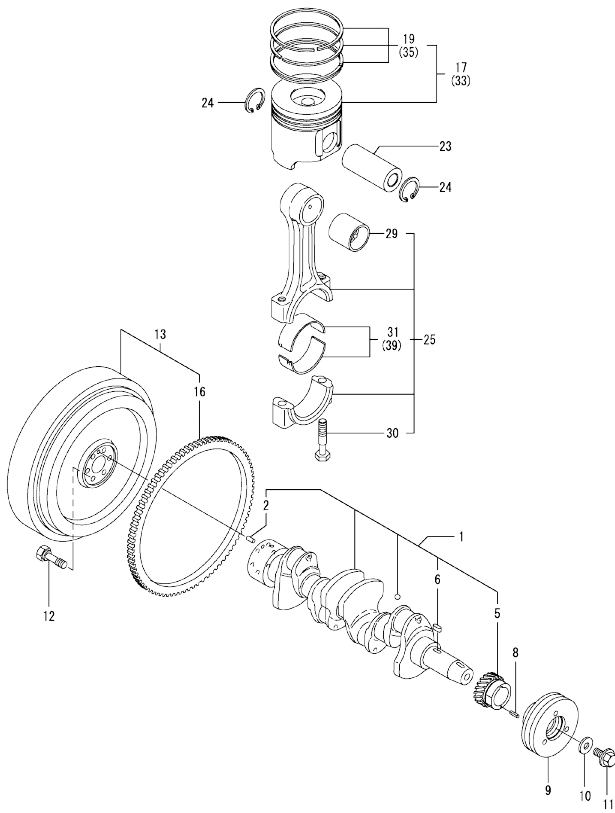
(D)=
(E)=
(F)=

No.	Lev.	Parts No.	Description	Q'ty						I	R
				(A)	(B)	(C)	(D)	(E)	(F)		
1	1	129150-14200	TAPPET	8							
2	1	129150-14400	ROD, PUSH L=178	8							
3	1	729402-14580	CAMSHAFT ASSY	1							
4	2	129150-02450	BEARING, THRUST	1							
7	2	129150-14101	GEAR, CAMSHAFT	1							
8	2	22512-070140	KEY, 7X 14	1							
9	1	119802-25051	SHAFT, IDLE	1							
10	1	119802-25100	GEAR ASSY, IDLE	1							
13	2	119802-25070	BUSH, IDLE GEAR	1							1
14	1	26106-080402	BOLT, M8X 40 PLATED	3							
15	1	119802-25901	GEAR, PUMP	1							
16	1	129150-25301	BOLT	4							
17	1	26106-080142	BOLT, M8X 14 PLATED	2							
18	1	158552-51151	FLANGE	1							
19	1	22217-140000	WASHER, SPRING 14	1							
20	1	26776-140002	NUT, LOCK M14	1							

Remarks
(1)Repair parts.

N:Old $\frac{100}{100}$ New, Q:Old $\frac{100}{100}$ New, R:Old $\frac{100}{100}$ New, S:Old $\frac{100}{100}$ New, W:Add, Z:Discontinued, F:Interchangeable by set, K:Q'ty Change
Copyright (C) YANMAR CO., LTD. All Rights Reserved.

Fig.8. CRANKSHAFT & PISTON



(A)=4TNV88-SSU
(B)=
(C)=

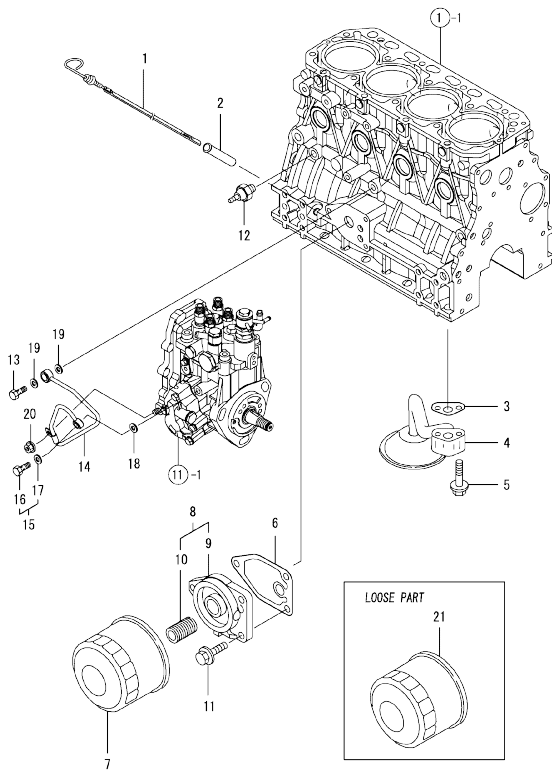
(D)=
(E)=
(F)=

No.	Lev.	Parts No.	Description	Q'ty						I	R
				(A)	(B)	(C)	(D)	(E)	(F)		
1	1	129601-21002	CRANKSHAFT ASSY	1							
2	2	129100-01580	PIN, M8X16	1							
5	2	119802-21202	GEAR, CRANKSHAFT	1							
6	2	22512-070140	KEY, 7X 14	1							
8	1	22351-030010	PIN, SPRING 3.0X10	1							
9	1	119802-21650	V-PULLEY, 110	1							
10	1	129795-21661	WASHER	1							
11	1	121850-21680	BOLT	1							
12	1	121111-21501	BOLT, FLYWHEEL	6							
13	1	129489-21590	FLYWHEEL ASSY	1							
16	2	119865-21600	GEAR, RING	1							
17	1	129005-22080	PISTON ASSY	4							
19	2	129005-22500	RING SET, PISTON	4							
23	1	129202-22300	PIN, PISTON D26 L70	4							
24	1	22252-000260	RING, 26	8							
25	1	729402-23100	ROD ASSY, CONNECTING	4							
29	2	129100-23910	BEARING, PISTON PIN	4							1
30	2	121550-23200	BOLT, CONNECTING ROD	8							
31	2	129150-23600	BEARING, CRANK PIN	4							
33	1	129005-22900	PISTON ASSY, 0.25 OS	4							2
35	2	129005-22950	RING SET, 0.25 OS	4							2
39	1	129150-23610	BEARING, 0.25 US	4							3

Remarks

- (1)Repair parts.
- (2)Over-sized(O.S.=0.25) parts.
- (3)Under-sized(U.S.=0.25) parts.

Fig.9. LUB. OIL SYSTEM



(A)=4TNV88-SSU
(B)=
(C)=

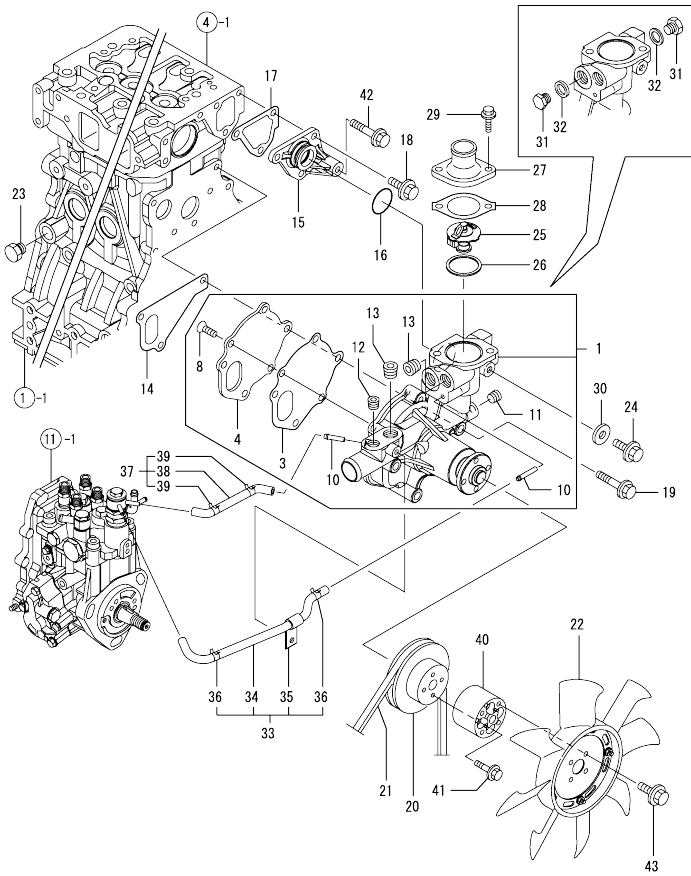
(D)=
(E)=
(F)=

No.	Lev.	Parts No.	Description	Q'ty						I	R
				(A)	(B)	(C)	(D)	(E)	(F)		
1	1	129004-34801	DIPSTICK, OIL	1							
2	1	121520-34810	GUIDE, DIPSTICK	1							
3	1	129150-35041	GASKET	1							
4	1	129436-35091	PIPE ASSY, OIL INLET	1							
5	1	26106-080352	BOLT, M8X 35 PLATED	2							
6	1	129150-35111	GASKET	1							
7	1	119005-35151	FILTER, D80X100L	1							1
8	1	119802-35100	BRACKET ASSY, FILTER	1							
9	2	119802-35110	BRACKET, FILTER	1							
10	2	129100-35140	STUD	1							
11	1	26106-080202	BOLT, M8X 20 PLATED	3							
12	1	114250-39450	SWITCH, 0.5KG	1							
13	1	124160-39140	BOLT, PIPE JOINT M10	1							
14	1	119802-39450	PIPE ASSY, OIL	1							
15	1	129005-59830	BOLT ASSY, JOINT M8	1							
16	2	23857-030000	BOLT, JOINT 3	1							
17	2	22190-080002	WASHER, SEAL 6	1							
18	1	22190-080002	WASHER, SEAL 6	1							
19	1	22190-100002	WASHER, SEAL 10	2							
20	1	26366-060002	NUT, M6	1							
21	1	119005-35151	FILTER, D80X100L	1							1

Remarks
(1)Repair parts.

N:Old $\frac{100}{100}$ New, Q:Old $\frac{100}{100}$ New, R:Old $\frac{100}{100}$ New, S:Old $\frac{100}{100}$ New, W:Add, Z:Discontinued, F:Interchangeable by set, K:Q'ty Change
Copyright (C) YANMAR CO., LTD. All Rights Reserved.

Fig.10. COOLING WATER SYSTEM

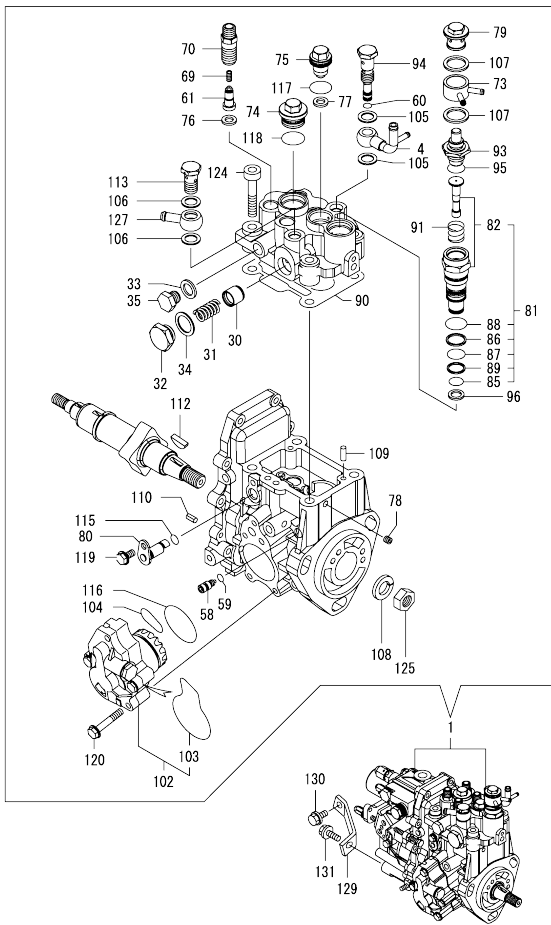


(A)=4TNV88-SSU
(B)=
(C)=

(D)=
(E)=
(F)=

No.	Lev.	Parts No.	Description	Qty						I	R
				(A)	(B)	(C)	(D)	(E)	(F)		
1	1	129004-42001	PUMP ASSY, WATER	1							
3	2	129100-42051	GASKET, WATER PUMP	1							
4	2	129100-42121	PLATE	1							
8	2	121850-42410	SCREW	3							
10	2	119802-49113	JOINT, PIPE	2							
11	2	23876-010000	PLUG, R01	1							
12	2	23876-020000	PLUG, R02	1							
13	2	129916-49740	PLUG, R03	2							
14	1	129486-42021	GASKET, WATER PUMP	1							
15	1	129004-42040	JOINT	1							
16	1	129486-42140	O-RING, G30	1							
17	1	124395-49840	GASKET	1							
18	1	26106-080162	BOLT, M8X 16 PLATED	3							
19	1	26106-080602	BOLT, M8X 60 PLATED	3							
20	1	129403-42380	V-PULLEY, D=110	1							
21	1	25132-003800	V-BELT, A38	1							
22	1	129980-44741	FAN, COOLING D=410	1							
23	1	171056-49120	PLUG, DRAIN	1							
24	1	26106-080122	BOLT, M8X 12 PLATED	1							
25	1	129155-49801	THERMOSTAT, 71	1							
26	1	129150-49811	GASKET, THERMOSTAT	1							
27	1	129350-49530	COVER, THERMOSTAT	1							
28	1	129795-49551	GASKET	1							
29	1	26106-080222	BOLT, M8X 22 PLATED	2							
30	1	23414-080000	GASKET, 8X1.0	1							
31	1	121450-42450	PLUG, M16	2							
32	1	124465-44950	GASKET, 16	2							
33	1	129004-49610	PIPE ASSY, WATER	1							
34	2	129004-49711	PIPE ASSY, WATER	1							
35	2	119802-49730	RETAINER, PIPE	1							
36	2	124722-59050	CLIP, HOSE 9	2							
37	1	129004-49620	PIPE ASSY, WATER	1							
38	2	129004-49721	PIPE ASSY, WATER	1							
39	2	124722-59050	CLIP, HOSE 9	2							
40	1	129642-44770	SPACER	1							
41	1	26106-060452	BOLT, M6X 45 PLATED	4							
42	1	26106-080452	BOLT, M8X 45 PLATED	1							
43	1	26106-080162	BOLT, M8X 16 PLATED	4							

Fig.11. FUEL INJECTION PUMP



(A)=4TNV88-SSU
(B)=
(C)=

(D)=
(E)=
(F)=

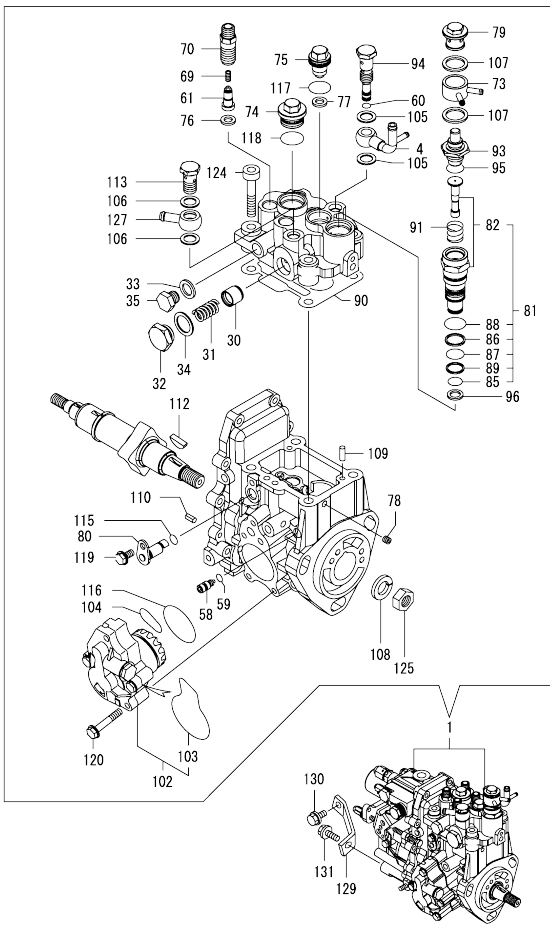
No.	Lev.	Parts No.	Description	Q'ty						I	R
				(A)	(B)	(C)	(D)	(E)	(F)		
1	1	729642-51430	PUMP ASSY, INJECTION	1							1
4	2	158552-51670	JOINT, OVER FLOW	1							
30	2	158601-51770	PISTON	1							
31	2	158552-51780	SPRING	1							
31-1	2	158552-51781	SPRING	1							N
(A=E/#*****)											
32	2	158601-51790	PLUG	1							
33	2	22190-120002	WASHER, SEAL 12	1							
34	2	22190-180002	WASHER, SEAL 18	1							
35	2	23887-120002	PLUG, 12	1							
58	2	158600-51270	STOPPER, TAPPET	1							
59	2	158563-51281	O-RING, 4D S6	1							
60	2	158563-51281	O-RING, 4D S6	1							
61	2	158560-51300	VALVE ASSY, DELIVERY	4							
69	2	158563-51330	SPRING, DELIVERY	4							
70	2	158601-51340	HOLDER, DELIVERY	4							
73	2	158553-51551	JOINT	1							
74	2	158601-51550	PLUG	1							
75	2	119802-51560	PLUG, BARREL	1							
76	2	158552-51570	GASKET	4							
77	2	158552-51570	GASKET	1							
78	2	158557-51570	PLUG	1							
79	2	158601-51570	PLUG	1							
80	2	158552-51580	LIFTER	1							
81	2	119802-51590	TIMER SET	1							
82	3	119802-51600	TIMER ASSY	1							
85	3	158553-51670	O-RING, 1011	1							
86	3	119802-51680	RING, BACK UP	1							
87	3	119802-51690	O-RING	1							
88	3	24356-010200	O-RING, 4D1020	1							
89	3	24372-000150	RING, BACK UP T2P15	1							
90	2	158552-51600	GASKET	1							
91	2	158553-51630	SPRING, TIMER	1							
93	2	158553-51640	ELEMENT	1							
94	2	158601-51650	JOINT, OVER FLOW	1							
95	2	158553-51660	O-RING, P14	1							
96	2	158553-51680	GASKET	1							
102	2	158552-52100	PUMP ASSY, FUEL FEED	1							
103	3	158552-52500	O-RING	1							
104	2	158552-52310	O-RING	1							
105	2	22190-120002	WASHER, SEAL 12	2							
106	2	22190-120002	WASHER, SEAL 12	2							
107	2	22190-180002	WASHER, SEAL 18	2							
108	2	22217-140000	WASHER, SPRING 14	1							
109	2	22312-050140	PIN, PARALLEL M5X14	2							
110	2	22351-050010	PIN, SPRING 5.0X10	2							
112	2	119802-51090	KEY, 4X16	1							
113	2	23857-060000	BOLT, JOINT 6	1							
115	2	24311-000070	O-RING, 1AP7.0	1							
116	2	158552-52400	O-RING, 4E S42	1							
117	2	24356-010180	O-RING, 4D1018	1							

N:Old $\frac{New}{Old}$ New, Q:Old $\frac{New}{Old}$ New, R:Old $\frac{New}{Old}$ New, S:Old $\frac{New}{Old}$ New, W:Add, Z:Discontinued, F:Interchangeable by set, K:Q'ty Change
 ++ CONTINUE ++
 Copyright (C) YANMAR CO., LTD. All Rights Reserved.

Fig.11. FUEL INJECTION PUMP

(A)=4TNV88-SSU
(B)=
(C)=

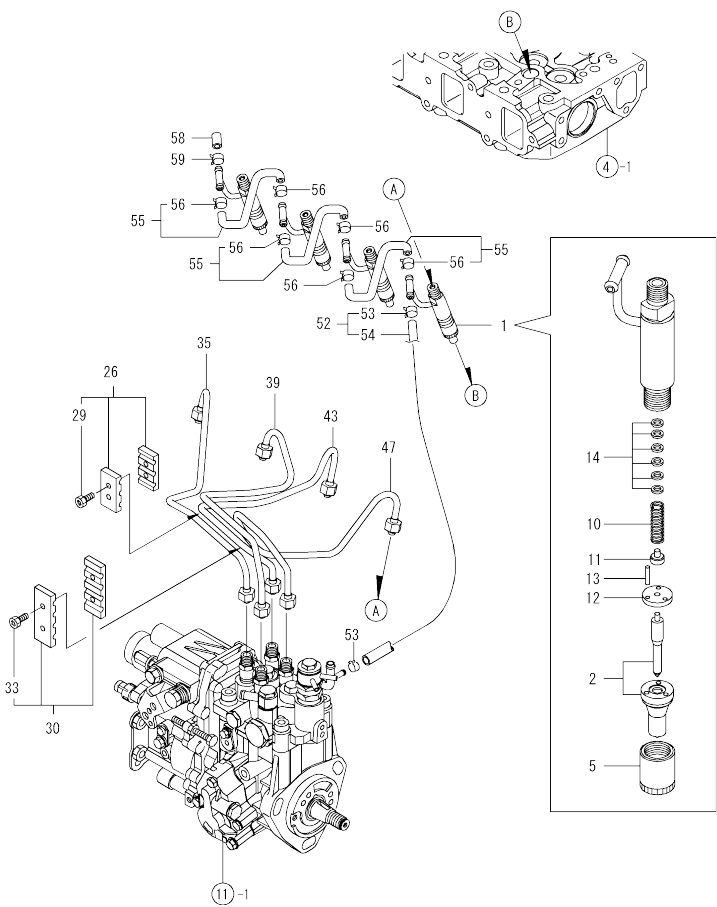
(D)=
(E)=
(F)=



No.	Lev.	Parts No.	Description	Q'ty						I	R
				(A)	(B)	(C)	(D)	(E)	(F)		
118	2	24356-010200	O-RING, 4D1020	1							
119	2	26106-060102	BOLT, M6X 10 PLATED	1							
120	2	158553-51770	BOLT	4							
124	2	26450-080452	BOLT, M8X 45	4							
125	2	26776-140002	NUT, LOCK M14	1							
127	2	129916-59020	JOINT, PIPE 12	1							
129	1	129601-51250	RETAINER, PUMP	1							
130	1	26106-080162	BOLT, M8X 16 PLATED	1							
131	1	26106-080202	BOLT, M8X 20 PLATED	1							

N:Old $\frac{100}{100}$ New, Q:Old $\frac{100}{100}$ New, R:Old $\frac{100}{100}$ New, S:Old $\frac{100}{100}$ New, W:Add, Z:Discontinued, F:Interchangeable by set, K:Q'ty Change
Copyright (C) YANMAR CO., LTD. All Rights Reserved.

Fig.12. FUEL INJECTION VALVE



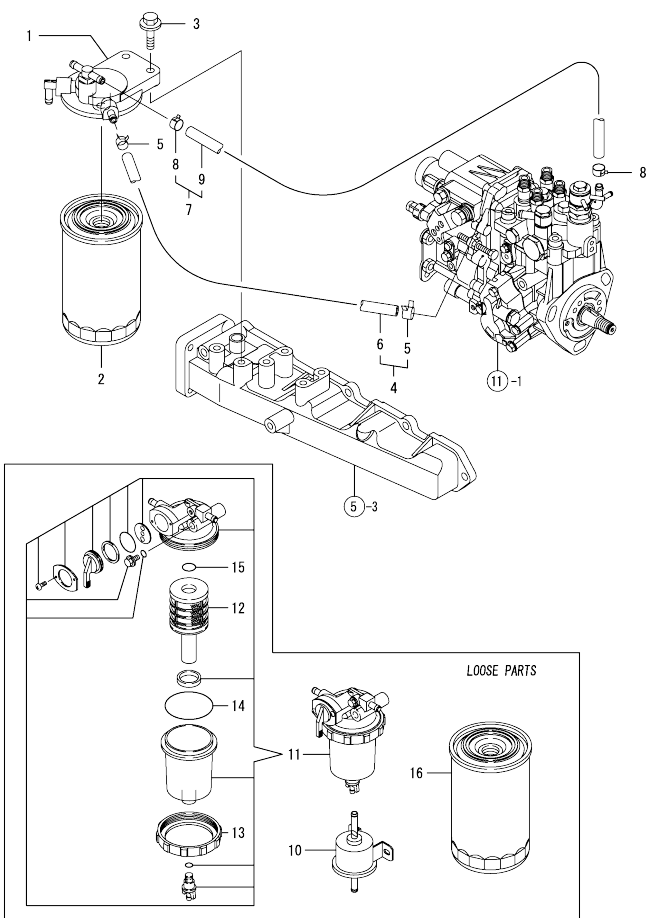
(A)=4TNV88-SSU
(B)=
(C)=

(D)=
(E)=
(F)=

No.	Lev.	Parts No.	Description	Q'ty					
				(A)	(B)	(C)	(D)	(E)	(F)
1	1	729642-53100	VALVE ASSY,INJECTION	4					
2	2	129640-53001	VALVE ASSY,INJECTION	4					
5	2	114250-53080	NUT, NOZZLE D16.95	4					
10	2	114250-53120	SPRING, NOZZLE	4					
11	2	114250-53130	SEAT, SPRING	4					
12	2	114250-53140	PLATE	4					
13	2	114250-53210	PIN	8					
14	2	114250-53400	SHIM SET	4					
26	1	129150-59120	RETAINER, PIPE	1					
29	2	129150-59131	BOLT, M4X14	2					
30	1	129550-59120	RETAINER, PIPE	1					
33	2	129150-59131	BOLT, M4X14	2					
35	1	129601-59810	PIPE ASSY, INJECTION	1					
39	1	129601-59820	PIPE ASSY, INJECTION	1					
43	1	129601-59830	PIPE ASSY, INJECTION	1					
47	1	129601-59840	PIPE ASSY, INJECTION	1					
52	1	119802-59550	PIPE ASSY, RETURN	1					
53	2	124722-59050	CLIP, HOSE 9	2					
54	2	119802-59560	PIPE, FUEL RETURN	1					
55	1	129486-59551	PIPE ASSY, RETURN	3					
56	2	124722-59050	CLIP, HOSE 9	6					
58	1	119593-59580	CAP	1					
59	1	124060-77680	CLIP, HOSE 10	1					

N:Old $\frac{100}{100}$ New, Q:Old $\frac{100}{100}$ New, R:Old $\frac{100}{100}$ New, S:Old $\frac{100}{100}$ New, W:Add, Z:Discontinued, F:Interchangeable by set, K:Q'ty Change
Copyright (C) YANMAR CO., LTD. All Rights Reserved.

Fig.13. FUEL PIPING



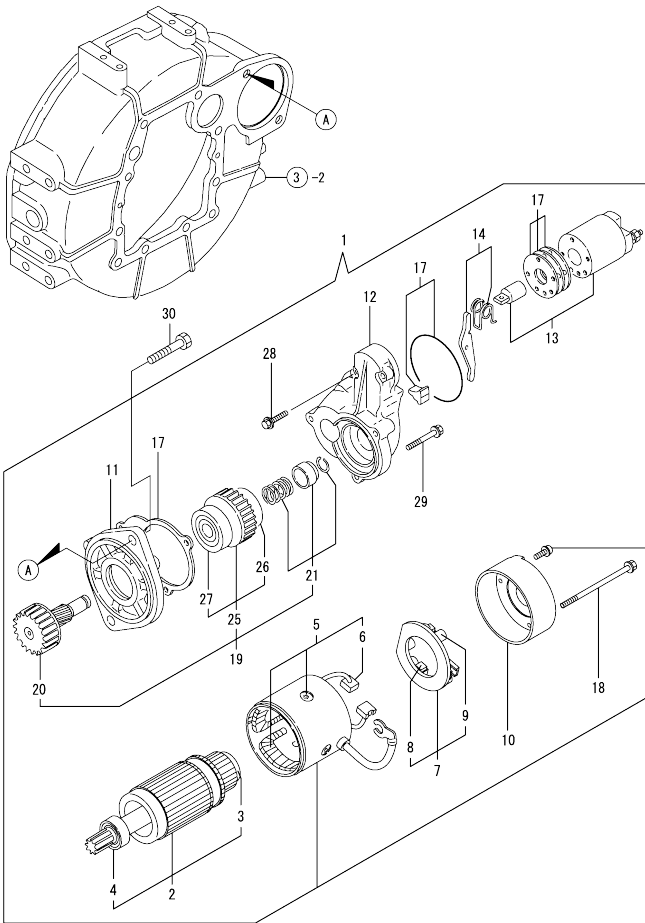
(A)=4TNV88-SSU
(B)=
(C)=

(D)=
(E)=
(F)=

No.	Lev.	Parts No.	Description	Q'ty					
				(A)	(B)	(C)	(D)	(E)	(F)
1	1	129004-55610	BRACKET, FILTER	1					
2	1	123907-55800	FILTER, FUEL	1					
3	1	26106-080302	BOLT, M8X 30 PLATED	2					
4	1	129210-59090	PIPE ASSY, FUEL	1					
5	2	124766-59050	CLIP, HOSE 12	2					
6	2	105325-59570	PIPE, FUEL	1					
7	1	129210-59150	PIPE ASSY, FUEL	1					
8	2	124766-59050	CLIP, HOSE 12	2					
9	2	105025-59530	PIPE, FUEL D13X400	1					
10	1	119225-52102	PUMP ASSY, FUEL FEED	1					
11	1	119802-55700	SEPARATOR ASSY	1					
12	2	119802-55710	ELEMENT	1					
13	2	129100-55690	RING, RETAINING	1					
14	2	24321-000650	O-RING, 1AG65.0	1					
15	2	24311-000160	O-RING, 1AP16.0	1					
16	1	123907-55800	FILTER, FUEL	1					

N:Old $\frac{100}{100}$ New, Q:Old $\frac{100}{100}$ New, R:Old $\frac{100}{100}$ New, S:Old $\frac{100}{100}$ New, W:Add, Z:Discontinued, F:Interchangeable by set, K:Q'ty Change
Copyright (C) YANMAR CO., LTD. All Rights Reserved.

Fig.14. STARTING MOTOR



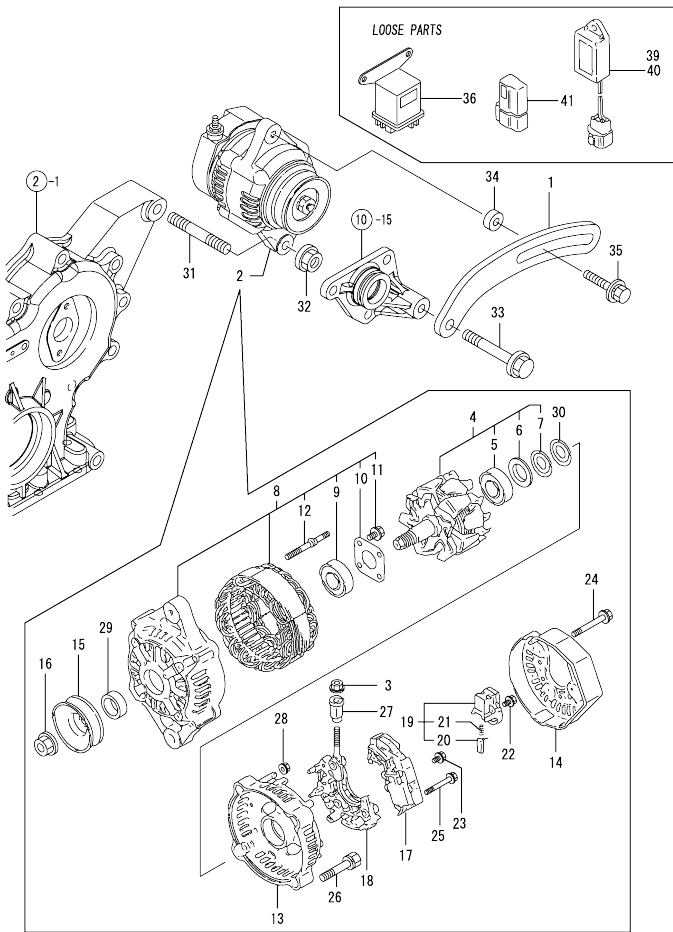
(A)=4TNV88-SSU
(B)=
(C)=

(D)=
(E)=
(F)=

No.	Lev.	Parts No.	Description	Q'ty					
				(A)	(B)	(C)	(D)	(E)	(F)
1	1	129400-77012	STARTER	1					
2	2	129486-77400	ARMATURE	1					
3	3	171008-77410	BEARING	1					
4	3	171008-77420	BEARING	1					
5	2	129400-77441	COIL ASSY, FIELD	1					
6	3	129486-77460	BRUSH	2					
7	2	129486-77470	HOLDER ASSY, BRUSH	1					
8	3	129486-77460	BRUSH	2					
9	3	129486-77490	SPRING	4					
10	2	129900-77460	COVER	1					
11	2	171008-77510	CASE, GEAR	1					
12	2	129400-77520	HOUSING	1					
13	2	129400-77531	SWITCH ASSY	1					
14	2	171008-77540	LEVER SET	1					
17	2	129400-77571	COVER ASSY, DUST	1					
18	2	129900-77640	BOLT, THROUGH	2					
19	2	171008-77650	PINION ASSY	1					
20	3	171008-77660	SHAFT	1					
21	3	171008-77670	STOPPER SET	1					
25	3	X2114555500	CLUTCH ASSY	1					
26	4	X2114955020	BEARING, BALL	1					
27	4	X2240410100	BEARING, BALL	1					
28	2	26106-060322	BOLT, M6X 32 PLATED	2					
29	2	26106-060402	BOLT, M6X 40 PLATED	3					
30	1	26116-120252	BOLT, M12X 25 PLATED	2					

N:Old $\frac{New}{Old}$ New, Q:Old $\frac{New}{Old}$ New, R:Old $\frac{New}{Old}$ New, S:Old $\frac{New}{Old}$ New, W:Add, Z:Discontinued, F:Interchangeable by set, K:Q'ty Change
Copyright (C) YANMAR CO., LTD. All Rights Reserved.

Fig.15. GENERATOR



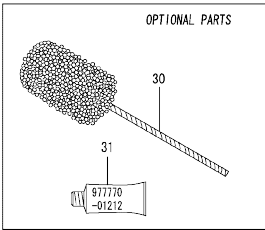
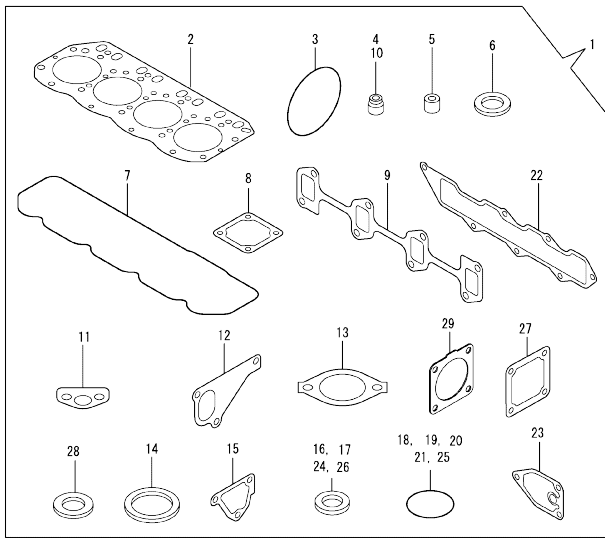
(A)=4TNV88-SSU
(B)=
(C)=

(D)=
(E)=
(F)=

No.	Lev.	Parts No.	Description	Q'ty						I	R
				(A)	(B)	(C)	(D)	(E)	(F)		
1	1	119802-77330	ADJUSTER	1							
2	1	129423-77200	GENERATOR, 12V-40A	1							
3	2	X9490561001	NUT	1							
4	2	119620-77380	ROTOR ASSY	1							
5	3	119620-79240	BEARING, BALL	1							
6	3	119620-79250	COVER	1							
7	3	119620-79360	WASHER, THRUST	1							
8	2	119620-77421	FRAME ASSY, DRIVE	1							
9	3	119620-79200	BEARING, BALL	1							
10	3	119620-79210	PLATE, RETAINER	1							
11	3	119620-79220	SCREW	4							
12	3	119620-79230	STUD	2							
13	2	119620-77440	FRAME ASSY	1							
14	2	129240-79300	COVER	1							
15	2	119620-77461	PULLEY	1							
16	2	119620-77471	NUT	1							
17	2	129423-77710	REGULATOR ASSY	1							
18	2	119620-79260	HOLDER	1							
19	2	119620-79270	HOLDER, BRUSH	1							
20	3	119620-77480	BRUSH ASSY	2							
21	3	119620-79280	SPRING	2							
22	2	119620-79290	SCREW	1							
23	2	119620-79300	SCREW	1							
24	2	119620-79310	BOLT	3							
25	2	119620-79320	SCREW	2							
26	2	119620-79330	BOLT	2							
27	2	119620-79340	BUSH, INSULATION	1							
28	2	119620-79350	NUT	2							
29	2	119620-77490	COLLAR	1							
30	2	119620-79360	WASHER, THRUST	1							
31	1	129795-01900	STUD	1							
32	1	26306-100002	NUT, M10	1							
33	1	26106-080452	BOLT, M8X 45 PLATED	1							
34	1	119940-77270	SPACER, GENERATOR	1							
35	1	119802-77340	BOLT, ADJUSTER	1							
36	1	119650-77910	RELAY ASSY, GLOW	1							
39	1	129211-77920	TIMER	1							
40	1	128300-77920	TIMER	1							
41	1	119643-66900	DIODE	1							

N:Old $\frac{100}{100}$ New, Q:Old $\frac{100}{100}$ New, R:Old $\frac{100}{100}$ New, S:Old $\frac{100}{100}$ New, W:Add, Z:Discontinued, F:Interchangeable by set, K:Q'ty Change
Copyright (C) YANMAR CO., LTD. All Rights Reserved.

Fig.16. GASKET SET



Remarks
(1)Optional parts.

No.	Lev.	Parts No.	Description	Q'ty						I	R
				(A)	(B)	(C)	(D)	(E)	(F)		
1	1	729601-92790	GASKET SET	1							1
2	2	129407-01340	GASKET, HEAD	1							
3	2	121850-51960	O-RING	1							
4	2	124460-11340	SEAL, VALVE STEM	4							
5	2	119802-11870	PROTECTOR, NOZZLE	4							
6	2	119625-11880	SEAT, NOZZLE	4							
7	2	129601-11310	GASKET, BONNET	1							
8	2	129150-77511	GASKET	1							
9	2	129550-13110	GASKET	1							
10	2	121400-11340	SEAL, VALVE STEM	4							
11	2	129150-35041	GASKET	1							
12	2	129486-42021	GASKET, WATER PUMP	1							
13	2	129795-49551	GASKET	1							
14	2	129150-49811	GASKET, THERMOSTAT	1							
15	2	124395-49840	GASKET	1							
16	2	22190-080002	WASHER, SEAL 6	2							
17	2	124465-44950	GASKET, 16	2							
18	2	24311-000120	O-RING, 1AP12.0	3							
19	2	24311-000320	O-RING, 1AP32.0	2							
20	2	24341-000240	O-RING, 1AS24.0	1							
21	2	129486-42140	O-RING, G30	1							
22	2	129407-12110	GASKET, MANIFOLD	1							
23	2	129150-35111	GASKET	1							
24	2	22190-220002	WASHER, SEAL 22	1							
25	2	119609-32040	O-RING, P16	4							
26	2	22190-100002	WASHER, SEAL 10	2							
27	2	129100-77510	GASKET	1							
28	2	23414-080000	GASKET, 8X1.0	1							
29	2	129930-13200	GASKET, SILENCER	1							
30	1	129400-92430	HONE	1							1
31	1	977770-01212	GASKET, LIQUID	1							1

Parts No. Index

Parts No.	Fig. No.	Ref. No.
105025-59530	13	9
105325-59570	13	6
114250-39450	9	12
114250-53080	12	5
114250-53120	12	10
114250-53130	12	11
114250-53140	12	12
114250-53210	12	13
114250-53400	12	14
119005-35151	9	7
		21
119131-18320	6	5
119140-12680	5	24
119225-52102	13	10
119593-59580	12	58
119609-32040	2	17
	16	25
119620-01750	3	3
119620-77380	15	4
119620-77421	15	8
119620-77440	15	13
119620-77461	15	15
119620-77471	15	16
119620-77480	15	20
119620-77490	15	29
119620-79200	15	9
119620-79210	15	10
119620-79220	15	11
119620-79230	15	12
119620-79240	15	5
119620-79250	15	6
119620-79260	15	18
119620-79270	15	19
119620-79280	15	21
119620-79290	15	22
119620-79300	15	23
119620-79310	15	24
119620-79320	15	25
119620-79330	15	26
119620-79340	15	27
119620-79350	15	28
119620-79360	15	7
		30
119625-11880	4	20
	16	6
119640-01640	3	9
119643-66900	15	41
119650-77910	15	36
119802-01520	2	12
119802-01560	2	13

Parts No.	Fig. No.	Ref. No.
119802-03110	4	41
119802-03121	4	42
119802-03130	4	43
119802-03141	4	44
119802-11260	4	26
119802-11270	4	27
119802-11870	4	19
	16	5
119802-12560	5	15
119802-21202	8	5
119802-21650	8	9
119802-25051	7	9
119802-25070	7	13
119802-25100	7	10
119802-25901	7	15
119802-32070	2	8
119802-32100	2	7
119802-32111	2	18
119802-32120	2	19
119802-32130	2	20
119802-35100	9	8
119802-35110	9	9
119802-39450	9	14
119802-49113	10	10
119802-49730	10	35
119802-51090	11	112
119802-51560	11	75
119802-51590	11	81
119802-51600	11	82
119802-51680	11	86
119802-51690	11	87
119802-55700	13	11
119802-55710	13	12
119802-59550	12	52
119802-59560	12	54
119802-77330	15	1
119802-77340	15	35
119808-12520	5	21
		27
119808-12540	5	22
119865-21600	8	16
119866-12541	5	23
119910-12210	5	14
119910-12510	5	20
119910-12610	5	19
119934-01800	2	6
119940-77270	15	34
120130-11860	4	5
120270-54410	4	23
121023-01550	2	27

Parts No.	Fig. No.	Ref. No.
121111-21501	8	12
121400-11340	4	16
	16	10
121450-42450	10	31
121520-34810	9	2
121550-23200	8	30
121850-21680	8	11
121850-42410	10	8
121850-51960	2	21
	16	3
123900-13610	6	6
123900-13630	6	4
123907-55800	13	2
		16
124060-01050	1	10
124060-77680	12	59
124160-01751	2	14
	4	50
124160-01910	1	5
		15
124160-11360	4	52
124160-39140	9	13
124240-01871	2	15
124395-49840	10	17
	16	15
124460-11340	4	17
	16	4
124465-44950	10	32
	16	17
124722-59050	10	36
		39
	12	53
		56
124766-59050	13	5
		8
128300-77920	15	40
129001-01250	1	11
129001-02930	1	25
129001-32330	2	11
129001-91841	2	22
129004-01190	1	33
129004-03010	4	39
129004-11100	4	10
129004-11650	4	31
129004-11900	4	21
129004-34801	9	1
129004-42001	10	1
129004-42040	10	15
129004-49610	10	33
129004-49620	10	37

Parts No.	Fig. No.	Ref. No.
129004-49711	10	34
129004-49721	10	38
129004-55610	13	1
129005-22080	8	17
129005-22500	8	19
129005-22900	8	33
129005-22950	8	35
129005-59830	9	15
129051-12530	5	25
		28
129100-01580	3	1
		8
		2
129100-01640	3	16
129100-11110	4	11
129100-23910	8	29
129100-35140	9	10
129100-42051	10	3
129100-42121	10	4
129100-55690	13	13
129100-77500	5	8
129100-77510	5	9
	16	27
129150-01200	1	31
129150-02020	1	7
129150-02450	7	4
129150-02870	1	34
129150-02930	1	28
129150-02940	1	37
129150-03070	4	40
129150-11230	4	32
129150-11280	4	28
129150-11370	4	18
129150-11750	4	34
129150-11810	4	7
129150-14101	7	7
129150-14200	7	1
129150-14400	7	2
129150-23600	8	31
129150-23610	8	39
129150-25301	7	16
129150-35041	9	3
	16	11
129150-35111	9	6
	16	23
129150-49811	10	26
	16	14
129150-59120	12	26
129150-59131	12	29
		33

Parts No. Index

Parts No.	Fig. No.	Ref. No.
129150-77511	5	10
	16	8
129155-49801	10	25
129202-22300	8	23
129210-59090	13	4
129210-59150	13	7
129211-77920	15	39
129240-79300	15	14
129350-49530	10	27
129400-01730	3	6
129400-77012	14	1
129400-77441	14	5
129400-77520	14	12
129400-77531	14	13
129400-77571	14	17
129400-92430	16	30
129403-42380	10	20
129407-01340	1	32
	16	2
129407-12110	5	5
	16	22
129410-03990	5	2
129418-32320	2	10
129423-77200	15	2
129423-77710	15	17
129436-01780	3	8
129436-35091	9	4
129486-01670	3	19
129486-42021	10	14
	16	12
129486-42140	10	16
	16	21
129486-59551	12	55
129486-77400	14	2
129486-77460	14	6
		8
129486-77470	14	7
129486-77490	14	9
129489-21590	8	13
129550-13110	6	2
	16	9
129550-59120	12	30
129601-03080	5	1
129601-11241	4	25
129601-11251	4	29
129601-11310	4	47
	16	7
129601-11350	4	38
129601-11700	4	1
129601-12100	5	3

Parts No.	Fig. No.	Ref. No.
129601-21002	8	1
129601-51250	11	129
129601-59810	12	35
129601-59820	12	39
129601-59830	12	43
129601-59840	12	47
129612-01600	3	2
129612-12650	5	26
129640-13109	6	1
129640-13550	6	8
129640-53001	12	2
129642-44770	10	40
129795-01780	3	18
129795-01900	15	31
129795-01950	2	16
129795-02411	1	14
129795-11120	4	12
129795-11180	4	13
129795-21661	8	10
129795-49551	10	28
	16	13
	4	54
129900-07900	2	9
129900-32130	14	10
129900-77460	14	18
129900-77640	10	13
129916-49740	11	127
129916-59020	6	7
129930-13200	16	29
	10	22
129980-44741	7	18
158552-51151	11	76
158552-51570	11	77
	11	80
158552-51580	11	90
158552-51600	11	4
158552-51670	11	31
158552-51780	11	31 -1
158552-51781	11	102
158552-52100	11	104
158552-52310	11	116
158552-52400	11	103
158552-52500	11	73
158553-51551	11	91
158553-51630	11	93
158553-51640	11	95
158553-51660	11	85
158553-51670	11	96
158553-51680	11	120
158553-51770	11	78
158557-51570	11	78

Parts No.	Fig. No.	Ref. No.
158560-51300	11	61
158563-51281	11	59
		60
158563-51330	11	69
158600-51270	11	58
158601-51340	11	70
158601-51550	11	74
158601-51570	11	79
158601-51650	11	94
158601-51770	11	30
158601-51790	11	32
171008-77410	14	3
171008-77420	14	4
171008-77510	14	11
171008-77540	14	14
171008-77650	14	19
171008-77660	14	20
171008-77670	14	21
171051-01921	1	6
171056-49120	10	23
171340-77520	5	11
22190-080002	9	17
		18
	16	16
22190-100002	9	19
	16	26
22190-120002	11	33
		105
		106
22190-180002	11	34
		107
22190-220002	3	11
	16	24
22217-140000	7	19
	11	108
22252-000260	8	24
22312-050140	11	109
22351-030010	8	8
22351-050010	11	110
22351-060012	4	22
22512-070140	7	8
	8	6
22857-500100	4	48
		49
23000-060000	5	18
23414-080000	10	30
	16	28
23857-030000	9	16
23857-060000	11	113
23876-010000	10	11

Parts No.	Fig. No.	Ref. No.
23876-020000	10	12
23876-030000	2	4
23876-040000	2	5
23887-120002	11	35
24311-000070	11	115
24311-000120	4	53
	16	18
24311-000160	13	15
24311-000320	2	23
	4	51
	16	19
24321-000650	13	14
24341-000240	2	28
	16	20
24356-010180	11	117
24356-010200	11	88
		118
24372-000150	11	89
25132-003800	10	21
26013-080222	5	16
		17
26106-060102	11	119
26106-060162	2	29
26106-060322	14	28
26106-060402	14	29
26106-060452	10	41
26106-080122	10	24
26106-080142	4	55
	7	17
26106-080162	2	24
		25
	3	12
	10	18
		43
	11	130
26106-080202	5	6
	9	11
	11	131
26106-080222	10	29
26106-080252	3	13
	4	36
26106-080302	13	3
26106-080352	3	20
	4	24
	9	5
26106-080402	5	12
	7	14
26106-080452	3	14
		14 -1
	10	42

Parts No. Index

Parts No.	Fig. No.	Ref. No.
26106-080452	15	33
26106-080502	3	22
	4	37
26106-080552	2	26
26106-080602	10	19
26106-080802	5	7
		13
26106-100202	6	9
26116-120252	14	30
26206-100252	3	4
26206-100302	3	5
26226-080182	4	35
26306-080002	2	31
	6	3
		10
26306-100002	15	32
26366-060002	9	20
26450-080452	11	124
26776-140002	7	20
	11	125
27241-120000	1	12
27241-300000	1	13
27241-400000	4	9
27310-080001	4	14
729233-01500	2	1
729402-14580	7	3
729402-23100	8	25
729601-92790	16	1
729602-01560	1	1
729642-51430	11	1
729642-53100	12	1
977770-01212	2	30
	3	21
	4	56
	16	31
X2114555500	14	25
X2114955020	14	26
X2240410100	14	27
X9490561001	15	3

Parts No.	Fig. No.	Ref. No.
-----------	----------	----------

Parts No.	Fig. No.	Ref. No.
-----------	----------	----------

Parts No.	Fig. No.	Ref. No.
-----------	----------	----------