

0CD11-M01000EN

PREFACE

1. This parts catalog is the 1st edition of 4TNV88-SMRE for Mitsubishi Heavy Industries ,Ltd.

Pub.No. : 000Y01D0100

Published : March.,2008

2. Model name

Engine model	Vehicle		Vehicle made by
	Products	Model name	
4TNV88-SMRE	Freezer (For Track)	TFV2000D-E	Mitsubishi Heavy Industries ,Ltd.

Directions for the Parts Catalog.

1. This Parts Catalog shows both standard and optional parts.
2. Parts may change without prior notice.
3. The following is an example of the Parts Catalog format.

REF.	LEV.	PARTS NO.	DESCRIPTION	Q'TY						I	R
				(A)	(B)	(C)	(D)	(E)	(F)		
1	1	729595-51390	FUEL INJECTION PUMP	1	1	1	1	1			1
1-1	1	729595-51391	FUEL INJECTION PUMP	1	1	1	1	1		N	1
		(A=E00185) (B=E00200)									
3	2	26022-060162	SCREW M 6X 16	9	9	9	9	9			
3-1	2	26022-060162	SCREW M 6X 16	4	4	4	4	4		K	
		(A=E00156) (B=E00156) (C=E00156) (D=E00156) (E=E00156)									
4	2	129470-51040	CAMSHAFT	1	1	1	1	1			
5	2	122710-51050	BEARING, ROLLER	2	2	2	2	2			
6	2	129470-51060	RETAINER	1	1	1	1	1			

Remarks
(1) BOOST COMPEMSATOR TYPE. OPTIONAL PART, TO E00155,(4JH-DT, 4JH-DTZ

① Ref. No.

The Ref. No. listed may not be in accordance with the illustration Ref. No.

(Ex.) Illustration No.

List Ref No.

1 1 (Before change) → 1-1 (After change)

For interchangeable symbols N, R and K, illustrations for new parts may be abbreviated.

② Lev. (Level)

Level indication

The numbers below indicate the level of relativity towards the main part.

1 ---- Main parts (Assembly parts)

2 ---- Sub component included in " 1 ".

3 ---- Sub component included in " 2 ".

Note) Parts that are not for sale are partially illustrated but not listed.

③ Interchangeability Symbol

When a part change takes place, one of the following interchangeability symbols is indicated beside the part.

Symbol	Interchangeability	Contents note
N	Old $\begin{matrix} \leftarrow \text{Yes} \\ \text{No} \rightarrow \end{matrix}$ New	New Part is interchangeable for Old Part but Old Part is not interchangeable for New Part.
Q	Old $\begin{matrix} \leftarrow \text{No} \\ \text{Yes} \rightarrow \end{matrix}$ New	New Part is not interchangeable for Old Part but Old Part is interchangeable for New Part.
R	Old $\begin{matrix} \leftarrow \text{Yes} \\ \text{Yes} \rightarrow \end{matrix}$ New	New/ Old Parts are both interchangeable.
S	Old $\begin{matrix} \leftarrow \text{No} \\ \text{No} \rightarrow \end{matrix}$ New	New/ Old Parts are both not interchangeable.
W		Part newly added.
Z		Part discontinued.
F		Not interchangeable by a single part but interchangeable together with related parts.
K		Changes only for used parts quantities.

④ Effective Machine No.

When a part changes, the effective Machine No. will be indicated in the (A)-(F) column.

Product Symbol	Product No.	Product Symbol	Product No.
C	Clutch No. Compressor No.	F	Machine No. (Agricultural Equip.)
D	Drive No.	M	Machine No.
E	Engine No.		

Note 1) A date may follow the symbol. (Ex.) 1996.01

Note 2) "XXXXX" and "ZZZZZ" are for parts that could not be predicted or for engine models that could not be identified.

Note 3) (A=E00185) is the E (Engine Serial Number) for the column (A) model (in this case 4JH-DT) after the parts design change.

⑤ Remarks

Figures or alphabets (symbols) are entered in the remarks column.

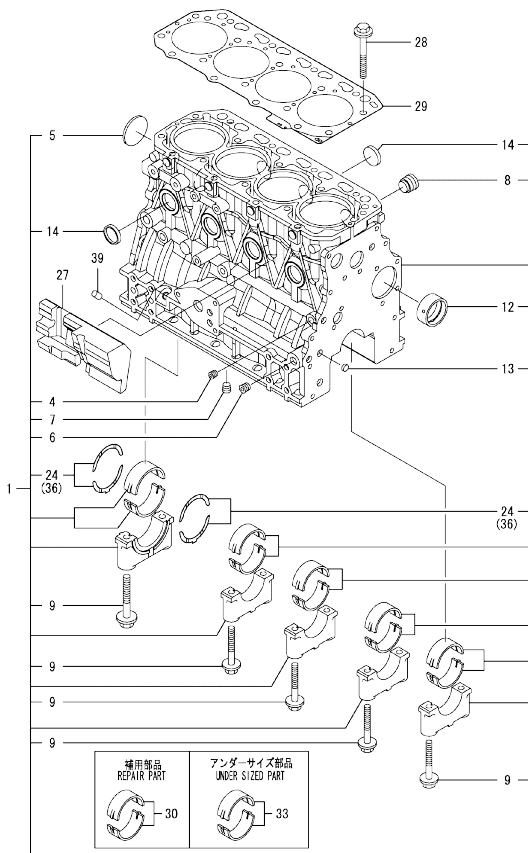
The comments (remarks) on parts that are indicated at the bottom of the illustration are the same symbols as those stated above.

Contents

OCD11-M01000

Fig. No.	Fig. Name	Fig. No.	Fig. Name
4	TNV88-SMRE		
1.	CYLINDER BLOCK		
2.	GEAR HOUSING		
3.	FLYWHEEL HOUSING & OIL SUMP		
4.	CYLINDER HEAD & BONNET		
5.	SUCTION MANIFOLD		
6.	EXHAUST MANIFOLD		
7.	CAMSHAFT & DRIVING GEAR		
8.	CRANKSHAFT & PISTON		
9.	LUB.OIL SYSTEM		
10.	COOLING WATER SYSTEM		
11.	FUEL INJECTION PUMP		
12.	GOVERNOR		
13.	FEED PUMP		
14.	FUEL INJECTION VALVE		
15.	FUEL FILTER		
16.	STARTING MOTOR		
17.	GASKET SET		

Fig.1. CYLINDER BLOCK



(A)=4TNV88-SMRE
(B)=
(C)=

(D)=
(E)=
(F)=

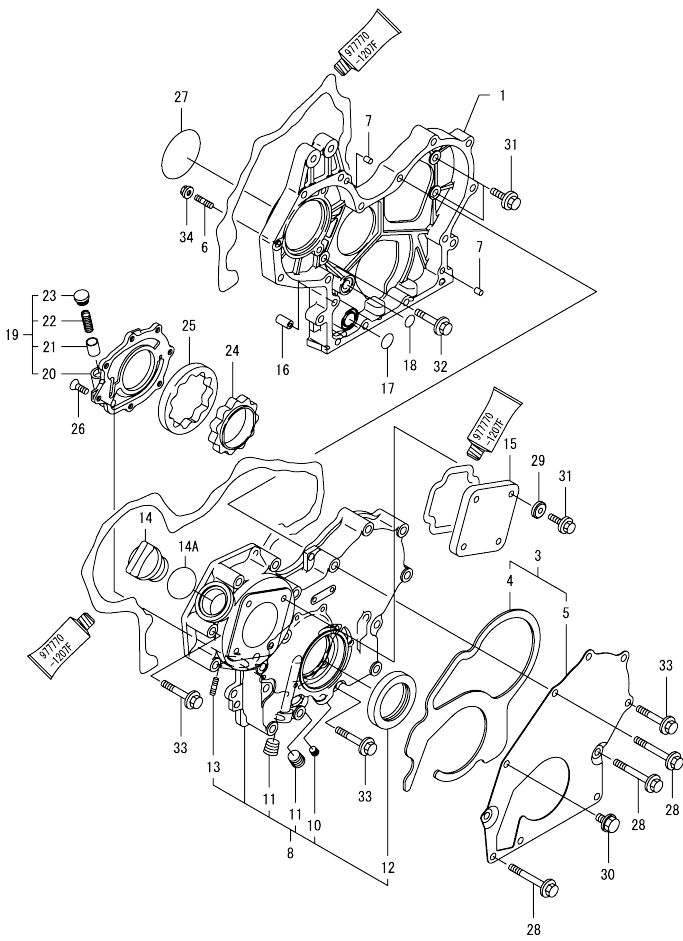
No.	Lev.	Parts No.	Description	Q'ty						I	R
				(A)	(B)	(C)	(D)	(E)	(F)		
1	1	729602-01560	BLOCK ASSY, CYLINDER	1							
4	2	124060-01050	PLUG, PT1/8	1							
5	2	129001-01250	PLUG, 50	1							
6	2	124160-01910	PLUG, PT1/4	2							
7	2	124160-01910	PLUG, PT1/4	1							
8	2	171051-01921	PLUG, NPTF1	1							
9	2	129150-02020	BOLT, METAL CAP	10							
12	2	129795-02412	BUSH, CAMSHAFT	1							
13	2	27241-120000	PLUG, 12	2							
14	2	27241-300000	PLUG 30	8							
24	2	129150-02931	BEARING, THRUST	2							
27	1	129004-01190	SPACER	1							
28	1	129150-01200	BOLT, HEAD	18							
29	1	129685-01330	GASKET, HEAD	1							
30	1	129001-02931	BEARING, MAIN	5							1
33	1	129150-02871	BEARING, 0.25 US	5							2
36	1	129150-02941	BEARING, THRUST 0.25	1							3
39	1	119309-01810	PLUG	1							

Remarks

- (1) REPAIR PART.
- (2) UNDER-SIZED(U.S=0.25)PART.
- (3) OVER-SIZED(O.S=0.25)PART.

OCD11-M01000 4TNV88-SMRE
 Fig.2. GEAR HOUSING

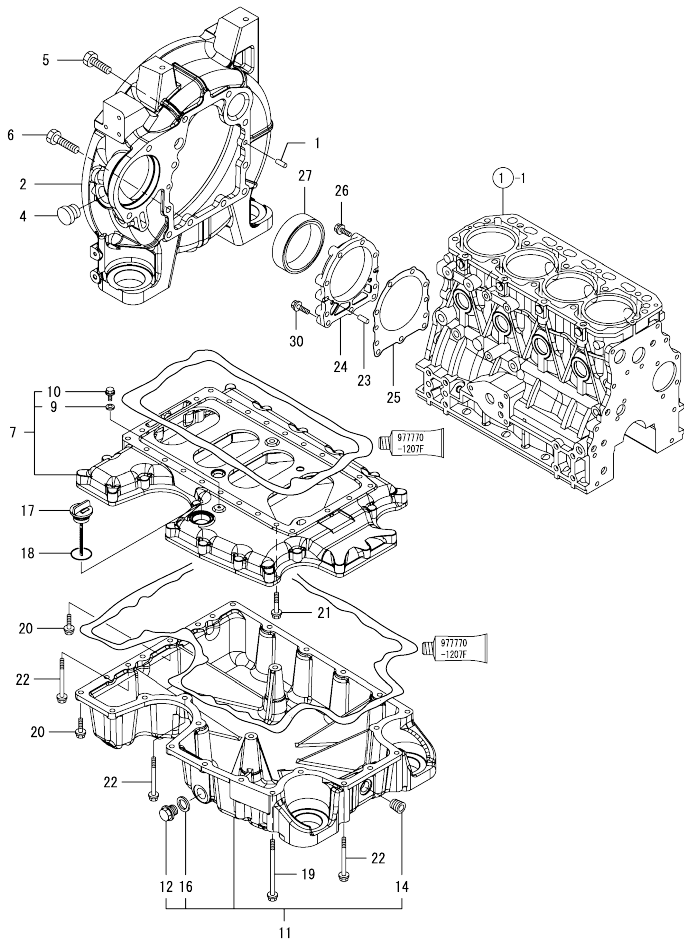
OCD11-M01000 Fig.2



No.	Lev.	Parts No.	Description	Qty						I	R
				(A)	(B)	(C)	(D)	(E)	(F)		
1	1	129685-01490	CASE ASSY, GEAR	1							
3	1	129685-01550	COVER ASSY	1							
4	2	129685-01560	SPONGE, GEAR CASE	1							
5	2	129685-01571	COVER, HUSH	1							
6	1	119802-01561	STUD, M8X25	3							
7	1	129100-01580	PIN, M8X16	2							
8	1	129685-01590	COVER ASSY, GEAR CASE	1							
10	2	23876-010000	PLUG, R01	1							
11	2	23876-030000	PLUG, R03	2							
12	2	119934-01800	SEAL, OIL	1							
13	2	129155-51020	STUD	3							
14	1	124160-01751	COVER, FILLER	1							
14A	1	24311-000320	O-RING, 1AP32.0	1							
15	1	124240-01871	COVER	1							
16	1	129795-01950	PIPE, KNOCK L=18	1							
17	1	129900-32030	O-RING, P20	2							
18	1	119609-32040	O-RING, P16	2							
19	1	129685-32100	COVER ASSY	1							
20	2	129685-32070	COVER	1							
21	2	129900-32130	VALVE, RELIEF	1							
22	2	129418-32320	SPRING	1							
23	2	129001-32330	PLUG	1							
24	1	119802-32111	ROTOR, INNER	1							
25	1	119802-32120	ROTOR, OUTER	1							
26	1	119802-32130	SCREW, M6X16	7							
27	1	121850-51960	O-RING	1							
28	1	129001-91841	BOLT, M8X85	7							
29	1	22190-080002	WASHER, SEAL 6	4							
30	1	26106-080122	BOLT, M8X 12 PLATED	1							
31	1	26106-080162	BOLT, M8X 16 PLATED	7							
32	1	26106-080452	BOLT, M8X 45 PLATED	1							
33	1	26106-080552	BOLT, M8X 55 PLATED	8							
34	1	26306-080002	NUT, M8	3							

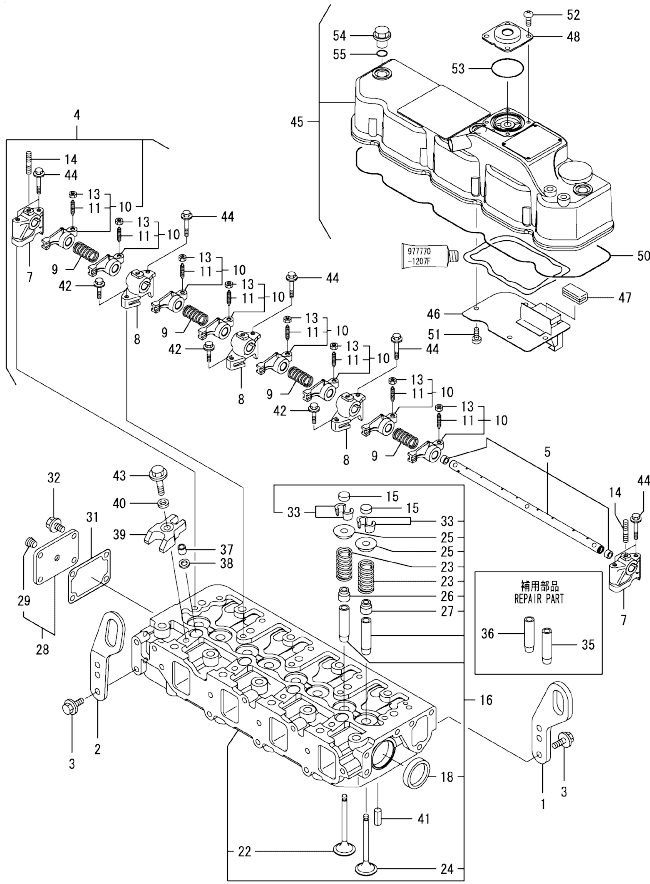
N:Old $\frac{NOC}{100}$ New, Q:Old $\frac{HOC}{100}$ New, R:Old $\frac{RHC}{100}$ New, S:Old $\frac{S10}{100}$ New, W:Add, Z:Discontinued, F:Interchangeable by set, K:Qty Change
 Copyright (C) YANMAR GLOBAL CS CO., LTD. All Rights Reserved.

Fig.3. FLYWHEEL HOUSING & OIL SUMP



No.	Lev.	Parts No.	Description	Q'ty						I	R
				(A)	(B)	(C)	(D)	(E)	(F)		
1	1	129100-01580	PIN, PARALLEL 8X16	2							
2	1	129636-01690	HOUSING, FLYWHEEL	1							
4	1	119620-01750	CAP, WHEEL COVER	1							
5	1	26206-100252	BOLT, M10X 25 PLATED	6							
6	1	26206-100302	BOLT, M10X 30 PLATED	4							
7	1	129636-01751	OIL PAN ASSY, UPPER	1							
7-1	1	129636-01770	OIL PAN ASSY	1							R
(A=E107114)											
9	2	23414-060000	GASKET, 6X1.0	1							
10	2	26106-060102	BOLT, M6X 10 PLATED	1							
11	1	129636-01761	OIL PAN ASSY, LOWER	1							
11-1	1	129636-01780	OIL PAN ASSY, BOTTOM	1							R
(A=E107114)											
12	2	119640-01640	PLUG, DRAIN M22	1							
14	2	124085-01771	PLUG, NPT1/2	1							
16	2	22190-220002	WASHER, SEAL 22	1							
17	1	129636-01791	COVER, OIL FILLER	1							
18	1	129486-01830	O-RING, P32	1							
19	1	129001-91910	BOLT, M8X120	1							
19-1	1	26106-081202	BOLT, M8X120 PLATED	1							R
(A=EB3337)											
20	1	26106-080252	BOLT, M8X 25 PLATED	14							
21	1	26106-080452	BOLT, M8X 45 PLATED	19							
22	1	26106-080902	BOLT, M8X 90 PLATED	13							
23	1	129100-01580	PIN, PARALLEL 8X16	2							
24	1	129486-01650	CASE, OIL SEAL	1							
25	1	129486-01660	GASKET, SEAL CASE	1							
26	1	129486-01670	BOLT, M8X30	6							
27	1	129486-01780	SEAL ASSY, OIL	1							
30	1	26106-080352	BOLT, M8X 35 PLATED	3							

Fig.4. CYLINDER HEAD & BONNET



(A)=4TNV88-SMRE
(B)=
(C)=

(D)=
(E)=
(F)=

No.	Lev.	Parts No.	Description	Q'ty						I	R
				(A)	(B)	(C)	(D)	(E)	(F)		
1	1	129486-07910	LIFTER	1							
2	1	129636-07910	LIFTER	1							
3	1	26106-080142	BOLT, M8X 14 PLATED	4							
4	1	129601-11241	SHAFT ASSY, ROCKER	1							
5	2	129601-11251	SHAFT, ROCKER ARM	1							
7	2	119802-11260	SUPPORT, ROCKER ARM	2							
8	2	119802-11270	SUPPORT, ROCKER ARM	3							
9	2	129150-11280	SPRING	4							
10	2	129004-11650	ARM, ROCKER	8							
11	3	129150-11230	SCREW, VALVE ADJUST	8							
13	3	129150-11750	NUT, M8	8							
14	2	26226-080182	STUD, M8X 18	3							
15	1	129150-11370	CAP, VALVE	8							
16	1	129685-11700	HEAD ASSY, CYLINDER	1							
18	2	119885-01990	PLUG, 40	1							
22	2	129100-11112	VALVE, EXHAUST	4							
23	2	129486-11120	SPRING, VALVE	8							
24	2	129004-11130	VALVE, INTAKE	4							
25	2	129795-11180	RETAINER, SPRING	8							
26	2	121400-11340	SEAL, VALVE STEM	4							
27	2	124460-11340	SEAL, VALVE STEM	4							
28	2	129486-11670	FLANGE ASSY	1							
29	3	119285-01731	PLUG, NPT 1/8	1							
31	2	129486-11681	GASKET	1							
32	2	26106-080162	BOLT, M8X 16 PLATED	4							
33	2	27310-080001	COTTER, 8	8							
35	1	120130-11860	GUIDE, VALVE	4							1
36	1	129150-11810	GUIDE, VALVE	4							1
37	1	119802-11870	PROTECTOR, NOZZLE	4							
38	1	119625-11880	SEAT, NOZZLE	4							
39	1	129004-11900	RETAINER, NOZZLE	4							
40	1	120270-54410	WASHER, INJECTOR	4							
41	1	22351-060012	PIN, SPRING 6.0X12	2							
42	1	26106-080252	BOLT, M8X 25 PLATED	3							
43	1	26106-080352	BOLT, M8X 35 PLATED	4							
44	1	26106-080502	BOLT, M8X 50 PLATED	7							
45	1	129685-11351	BONNET ASSY, HEAD	1							
46	2	129685-03010	PLATE	1							
47	2	129150-03070	BAFFLE, BREATHER	1							
48	2	129006-03120	COVER, DIAPHRAGM	1							
50	2	129601-11310	GASKET, BONNET	1							
51	2	22857-500100	SCREW, 5X10	4							
52	2	22857-500100	SCREW, 5X10	4							
53	2	24341-000400	O-RING, 1AS40.0	1							
54	1	124160-11360	KNOB	3							
55	1	24311-000120	O-RING, 1AP12.0	3							

Remarks
(1) REPAIR PART.

Fig.5. SUCTION MANIFOLD

(A)=4TNV88-SMRE
(B)=
(C)=

(D)=
(E)=
(F)=

No.	Lev.	Parts No.	Description	Q'ty						I	R
				(A)	(B)	(C)	(D)	(E)	(F)		
1	1	129685-03100	PIPE ASSY, BREATHER	1							
2	2	129601-03080	PIPE , BREATHER	1							
3	3	129410-03990	CLIP	2							
4	2	129685-03110	MATERIAL, KEEP-WARM	1							
5	1	129407-12110	GASKET, MANIFOLD	1							
6	1	129685-12110	MANIFOLD ASSY,INTAKE	1							
7	2	119285-01731	PLUG, NPT 1/8	1							
9	1	26106-080202	BOLT, M8X 20 PLATED	6							
10	1	26106-080802	BOLT, M8X 80 PLATED	1							
11	1	129579-77500	HEATER	1							
12	1	129150-77511	GASKET	1							
13	1	129100-77510	GASKET	1							
14	1	171340-77520	BEND	1							
15	1	26106-080402	BOLT, M8X 40 PLATED	2							
16	1	26106-080802	BOLT, M8X 80 PLATED	2							

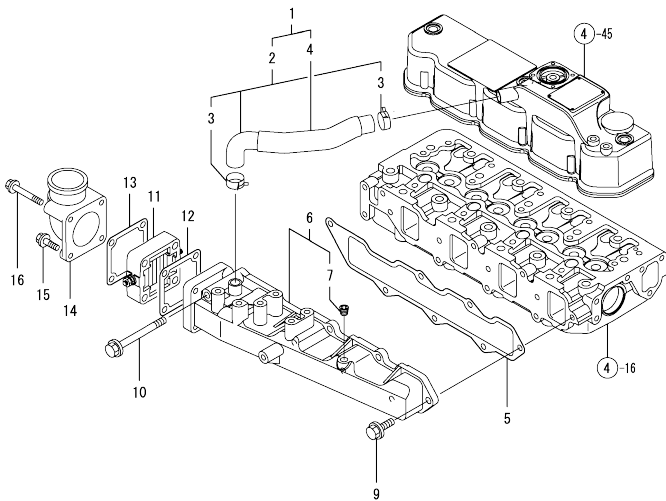
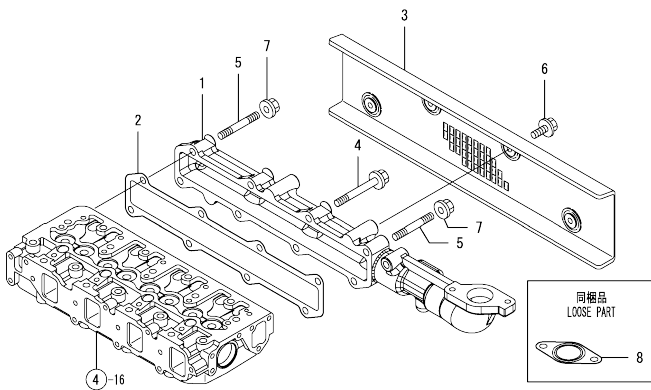


Fig.6. EXHAUST MANIFOLD

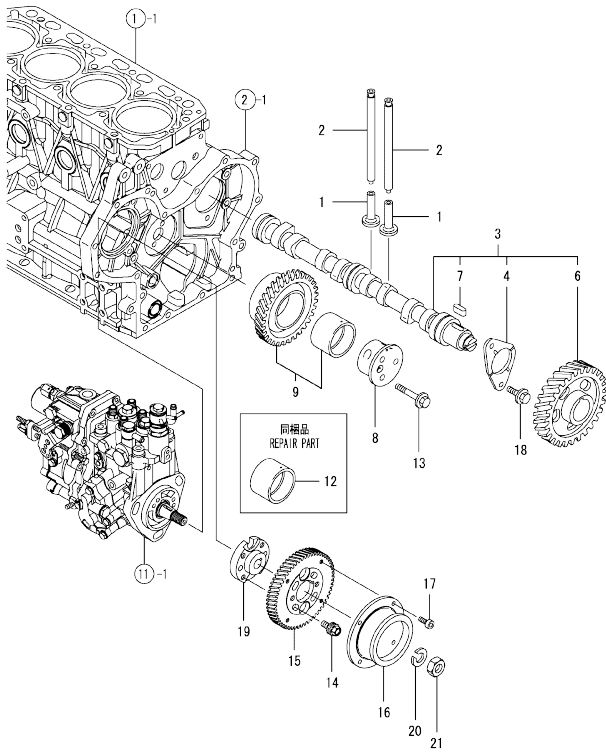


(A)=4TNV88-SMRE
(B)=
(C)=

(D)=
(E)=
(F)=

No.	Lev.	Parts No.	Description	Q'ty					
				(A)	(B)	(C)	(D)	(E)	(F)
1	1	129636-13100	MANIFOLD, EXHAUST	1					
2	1	129407-13110	GASKET	1					
3	1	129636-13400	COVER, MANIFOLD	1					
4	1	119802-13600	BOLT, M8X40	7					
5	1	119802-13710	STUD, M8X40	2					
6	1	26106-060162	BOLT, M6X 16 PLATED	4					
7	1	26306-080002	NUT, M8	2					
8	1	129636-13200	GASKET	3					

Fig.7. CAMSHAFT & DRIVING GEAR



(A)=4TNV88-SMRE
(B)=
(C)=

(D)=
(E)=
(F)=

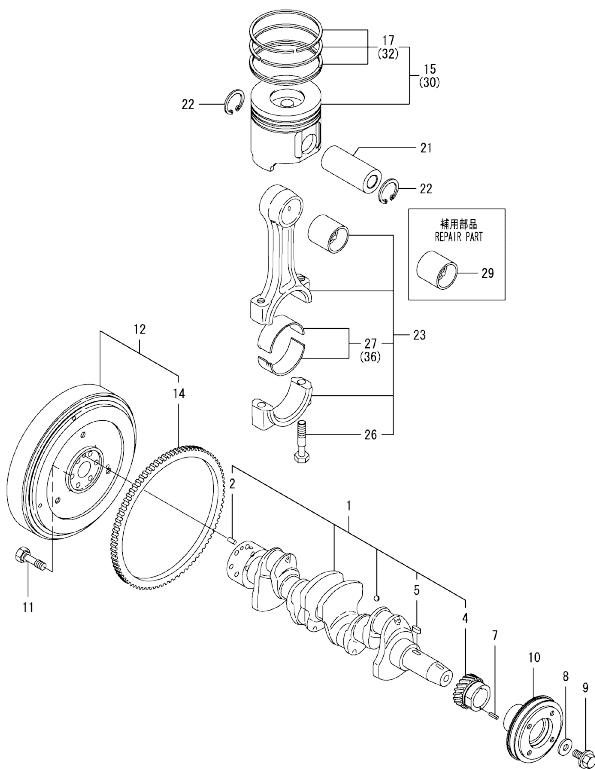
No.	Lev.	Parts No.	Description	Q'ty						I	R
				(A)	(B)	(C)	(D)	(E)	(F)		
1	1	129150-14200	TAPPET	8							
2	1	129150-14400	ROD, PUSH L=178	8							
3	1	129486-14580	CAMSHAFT ASSY	1							
4	2	129150-02450	BEARING, THRUST	1							
6	2	129150-14101	GEAR, CAMSHAFT	1							
7	2	22512-070140	KEY, 7X 14	1							
8	1	129685-25060	SHAFT, IDLE	1							
9	1	119802-25101	GEAR ASSY, IDLE	1							
12	1	119802-25071	BUSH, IDLE GEAR	1							1
13	1	26106-080402	BOLT, M8X 40 PLATED	3							
14	1	129150-25301	BOLT	4							
15	1	129685-25900	GEAR, PUMP	1							
16	1	129685-25930	CAM, FEED PUMP	1							
17	1	26450-060162	BOLT, M6X 16	4							
18	1	26106-080142	BOLT, M8X 14 PLATED	2							
19	1	158552-51151	FLANGE	1							
20	1	22217-140000	WASHER, SPRING 14	1							
21	1	26776-140002	NUT, LOCK M14	1							

Remarks
(1) REPAIR PART.

Fig.8. CRANKSHAFT & PISTON

(A)=4TNV88-SMRE
(B)=
(C)=

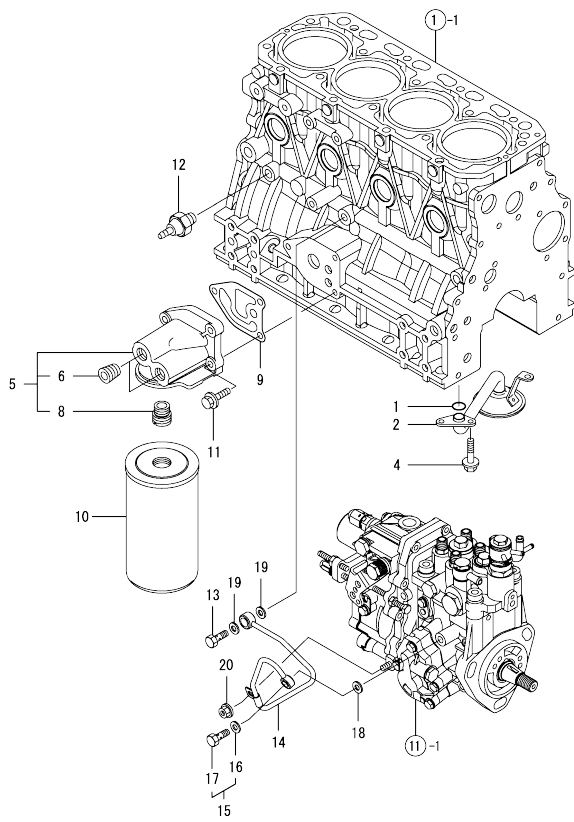
(D)=
(E)=
(F)=



No.	Lev.	Parts No.	Description	Q'ty						I	R
				(A)	(B)	(C)	(D)	(E)	(F)		
1	1	129601-21002	CRANKSHAFT ASSY	1							
2	2	129100-01580	PIN, M8X16	1							
4	2	119802-21202	GEAR, CRANKSHAFT	1							
5	2	22512-070140	KEY, 7X 14	1							
7	1	22351-030010	PIN, SPRING 3.0X10	1							
8	1	129795-21661	WASHER	1							
9	1	121850-21680	BOLT	1							
10	1	129685-21720	PULLEY, DAMPER	1							
11	1	121111-21501	BOLT, FLYWHEEL	6							
12	1	129636-21590	FLYWHEEL ASSY	1							
14	2	129486-21600	GEAR, RING	1							
14-1	2	129486-21601	GEAR, RING	1							S
(A=EZZZZZ)											
15	1	129636-22080	PISTON ASSY	4							
17	2	129636-22500	RING SET, PISTON	4							
21	1	129202-22300	PIN, PISTON D26 L70	4							
22	1	22252-000260	RING, 26	8							
23	1	729402-23100	ROD ASSY, CONNECTING	4							
26	2	121550-23200	BOLT, CONNECTING ROD	8							
27	2	129150-23601	BEARING, CRANK PIN	4							
29	1	129100-23910	BEARING, PISTON PIN	4							1
30	1	129636-22900	PISTON ASSY, 0.25 OS	4							2
32	2	129636-22950	RING SET, 0.25 OS	4							2
36	1	129150-23611	BEARING, 0.25 US	4							3

Remarks
(1) REPAIR PART.
(2) OVER-SIZED(O.S=0.25)PART.
(3) UNDER-SIZED(U.S=0.25)PART.

OCD11-M01000 4TNV88-SMRE
 Fig.9. LUB.OIL SYSTEM



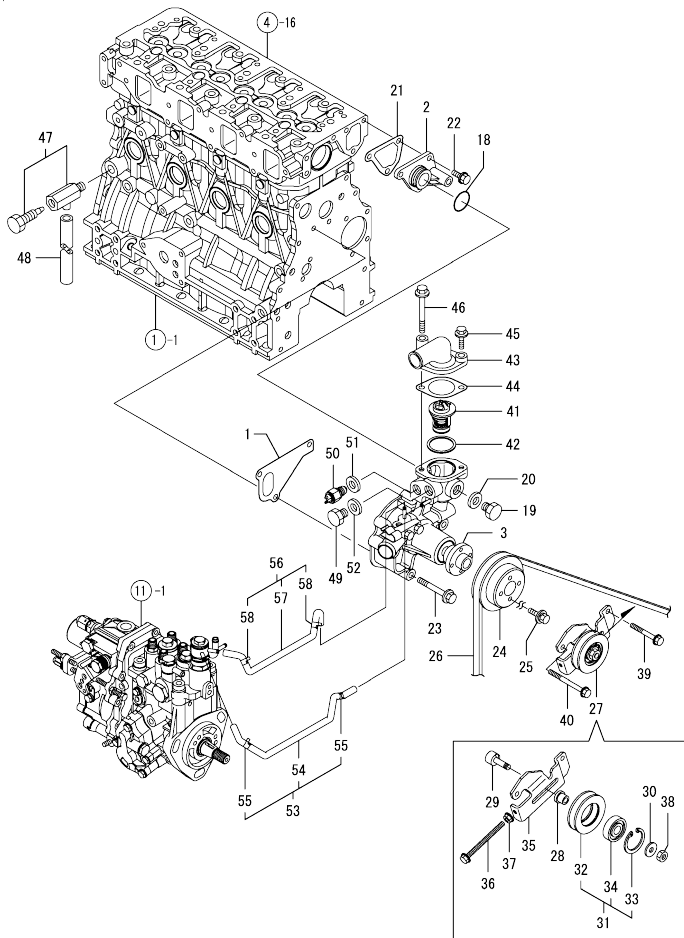
OCD11-M01000 Fig.9

(A)=4TNV88-SMRE
 (B)=
 (C)=

(D)=
 (E)=
 (F)=

No.	Lev.	Parts No.	Description	Q'ty						I	R
				(A)	(B)	(C)	(D)	(E)	(F)		
1	1	129900-32030	O-RING, P20	1							
2	1	129636-35090	PIPE ASSY, OIL INLET	1							
4	1	26106-080162	BOLT, M8X 16 PLATED	1							
5	1	129636-35100	BRACKET ASSY, FILTER	1							
6	2	129033-01770	PLUG, NPT1/2	2							
8	2	129636-35200	BOLT, FILTER	1							
9	1	129103-35122	GASKET	1							
10	1	127695-35150	FILTER, OIL	1							
11	1	26106-080252	BOLT, M8X 25 PLATED	3							
12	1	114250-39450	SWITCH, 0.5KG	1							
13	1	124160-39140	BOLT, PIPE JOINT M10	1							
14	1	119802-39450	PIPE ASSY, OIL	1							
15	1	129005-59830	BOLT ASSY, JOINT M8	1							
16	2	22190-080002	WASHER, SEAL 6	1							
17	2	23857-030000	BOLT, JOINT 3	1							
18	1	22190-080002	WASHER, SEAL 6	1							
19	1	22190-100002	WASHER, SEAL 10	2							
20	1	26366-060002	NUT, M6	1							

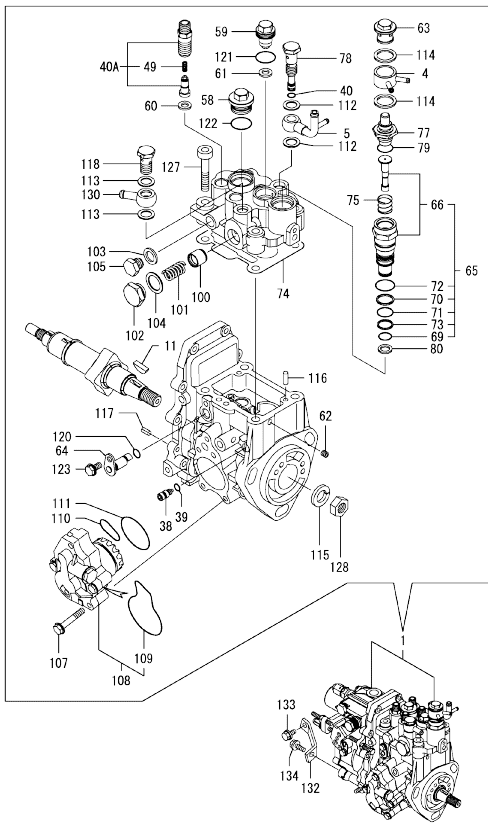
Fig.10. COOLING WATER SYSTEM



No.	Lev.	Parts No.	Description	Q'ty						I	R
				(A)	(B)	(C)	(D)	(E)	(F)		
1	1	129486-42021	GASKET, WATER PUMP	1							
2	1	129486-42040	JOINT	1							
3	1	129636-42100	PUMP ASSY, WATER	1							
18	1	129486-42140	O-RING, G30	1							
19	1	121450-42450	PLUG, M16	1							
20	1	124465-44950	GASKET, 16	1							
21	1	129486-49840	GASKET	1							
22	1	26106-080162	BOLT, M8X 16 PLATED	3							
23	1	26106-080602	BOLT, M8X 60 PLATED	3							
24	1	119515-42350	V-PULLEY, D=110	1							
25	1	26014-060162	BOLT, M6X 16	4							
26	1	129636-42290	V-BELT, A31	1							
27	1	129636-42501	TENSION ASSY, DRIVE	1							
28	2	129636-42540	SPACER	1							
29	2	129636-42550	BOLT	1							
30	2	129636-42570	WASHER, 10	1							
31	2	129636-42590	PULLEY ASSY, TENSION	1							
32	3	129636-42530	PULLEY, TENSION	1							
33	3	22252-000470	RING, 47	1							
34	3	24104-063034	BEARING, BALL 6303UU	1							
35	2	129636-42611	SUPPORT, PULLEY	1							
36	2	26106-081004	BOLT, M8X100 PLATED	1							
37	2	26366-080002	NUT, M8	1							
38	2	26756-100002	NUT, LOCK M10	1							
39	1	26106-080652	BOLT, M8X 65 PLATED	1							
40	1	26106-080902	BOLT, M8X 90 PLATED	1							
41	1	129155-49801	THERMOSTAT, 71	1							
42	1	129150-49811	GASKET, THERMOSTAT	1							
43	1	124101-49531	COVER, THERMOSTAT	1							
44	1	129795-49551	GASKET	1							
45	1	26106-080252	BOLT, M8X 25 PLATED	1							
46	1	26106-080652	BOLT, M8X 65 PLATED	1							
47	1	119620-49290	COCK ASSY, 1/4	1							
48	1	23061-070200	PIPE, 7X 200	1							
49	1	121450-42450	PLUG, M16	1							
50	1	121250-44901	SWITCH, 110	1							
51	1	124465-44950	GASKET, 16	1							
52	1	124465-44950	GASKET, 16	1							
53	1	129636-49780	PIPE ASSY, WATER	1							
54	2	129004-49711	PIPE ASSY, WATER	1							
55	2	124722-59050	CLIP, HOSE 9	2							
56	1	129636-49790	PIPE ASSY, WATER	1							
57	2	129636-49720	PIPE ASSY, WATER	1							
58	2	124722-59050	CLIP, HOSE 9	2							

N:Old $\frac{100}{100}$ New, Q:Old $\frac{100}{100}$ New, R:Old $\frac{100}{100}$ New, S:Old $\frac{100}{100}$ New, W:Add, Z:Discontinued, F:Interchangeable by set, K:Q'ty Change
 Copyright (C) YANMAR GLOBAL CS CO., LTD. All Rights Reserved.

Fig.11. FUEL INJECTION PUMP



(A)=4TNV88-SMRE
(B)=
(C)=

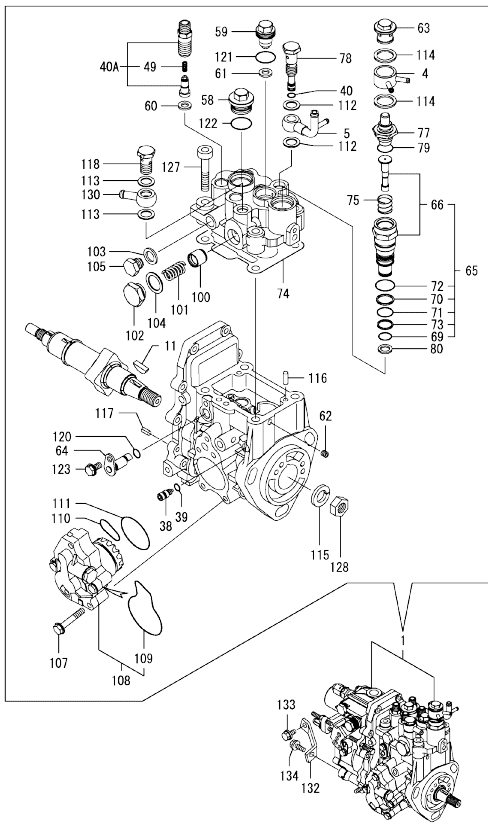
(D)=
(E)=
(F)=

No.	Lev.	Parts No.	Description	Q'ty						I	R	
				(A)	(B)	(C)	(D)	(E)	(F)			
1	1	729642-51470	PUMP ASSY, INJECTION	1							1	
1-1	1	729642-51471 (A=EM9072)	FIE ASSY	1							N	1
4	2	158553-51551	JOINT, COOLING WATER	1								
5	2	158552-51670	JOINT, OVER FLOW	1								
11	2	119802-51090	FEATHER KEY, 4X16	1								
38	2	158600-51270	STOPPER, TAPPET	1								
39	2	158563-51281	O-RING, 4D S6	1								
40	2	158563-51281	O-RING, 4D S6	1								
40A	2	129509-51390 (A=2008.04.)	VALVE ASSY, DELIVERY	4								W
49	3	158563-51330	SPRING, DELIVERY	4								
58	2	158601-51550	PLUG, M22	1								
59	2	119802-51560	PLUG, M14	1								
60	2	158552-51570	GASKET, PLUG	4								
61	2	158552-51570	GASKET, PLUG	1								
62	2	158557-51570	PLUG, RACK	1								
63	2	158601-51570	PLUG	1								
64	2	158552-51580	LIFTER, LINK	1								
65	2	119802-51590	TIMER ASSY	1								
66	3	119802-51600	TIMER ASSY	1								
69	3	158553-51670	O-RING	1								
70	3	119802-51680	RING, BACKUP	1								
71	3	119802-51690	O-RING	1								
72	3	24356-010200	O-RING, 4D1020	1								
73	3	24372-000150	RING, BACK UP T2P15	1								
74	2	158552-51600	GASKET	1								
75	2	158553-51630	SPRING, TIMER	1								
77	2	158553-51640	THERMOELEMENT	1								
78	2	158601-51650	JOINT, OVER FLOW	1								
79	2	158553-51660	O-RING, P14	1								
80	2	158553-51680	GASKET, TIMER	1								
100	2	158601-51770	PISTON, ACCUMULATOR	1								
101	2	158552-51781	SPRING, ACCUMULATOR	1								
102	2	158601-51790	PLUG	1								
103	2	22190-120002	WASHER, SEAL 12	1								
104	2	22190-180002	WASHER, SEAL 18	1								
105	2	23887-120002	PLUG, 12	1								
107	2	158553-51770	BOLT	4								
108	2	158552-52200	PUMP ASSY, FUEL FEED	1								
109	3	158552-52500	O-RING	1								
110	2	158552-52310	O-RING	1								
111	2	158552-52400	O-RING, 4E S42	1								
112	2	22190-120002	WASHER, SEAL 12	2								
113	2	22190-120002	WASHER, SEAL 12	2								
114	2	22190-180002	WASHER, SEAL 18	2								
115	2	22217-140000	WASHER, SPRING 14	1								
116	2	22312-050140	PIN, PARALLEL M5X14	2								
117	2	22351-050010	PIN, SPRING 5.0X10	2								
118	2	23857-060000	BOLT, JOINT 6	1								
120	2	24311-000070	O-RING, 1AP7.0	1								

Remarks
(1) GOVERNOR ASSY(FIG.12) IS
INCORPORATED IN THIS FOP.CMP
(REF.NO.1).

N:Old *New, Q:Old *New, R:Old *New, S:Old *New, W:Add, Z:Discontinued, F:Interchangeable by set, K:Q'ty Change
++ CONTINUE ++
Copyright (C) YANMAR GLOBAL CS CO., LTD. All Rights Reserved.

Fig.11. FUEL INJECTION PUMP



(A)=4TNV88-SMRE
(B)=
(C)=

(D)=
(E)=
(F)=

No.	Lev.	Parts No.	Description	Q'ty						I	R
				(A)	(B)	(C)	(D)	(E)	(F)		
121	2	24356-010180	O-RING, 4D1018	1							
122	2	24356-010200	O-RING, 4D1020	1							
123	2	26106-060102	BOLT, M6X 10 PLATED	1							
127	2	26450-080452	BOLT, M8X 45	4							
128	2	26776-140002	NUT, LOCK M14	1							
130	2	129916-59020	JOINT, PIPE 12	1							
132	1	129601-51250	RETAINER, PUMP	1							
133	1	26106-080162	BOLT, M8X 16 PLATED	1							
134	1	26106-080202	BOLT, M8X 20 PLATED	1							

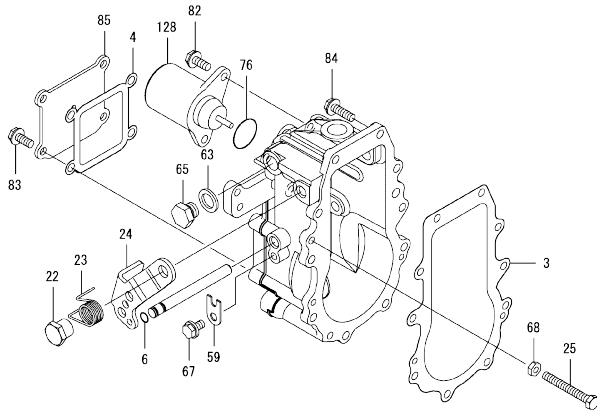
Remarks
(1) GOVERNOR ASSY(FIG.12) IS
INCORPORATED IN THIS FOP.CMP
(REF.NO.1).

OCD11-M01000 4TNV88-SMRE
 Fig.12. GOVERNOR

OCD11-M01000 Fig.12

(A)=4TNV88-SMRE
 (B)=
 (C)=

(D)=
 (E)=
 (F)=



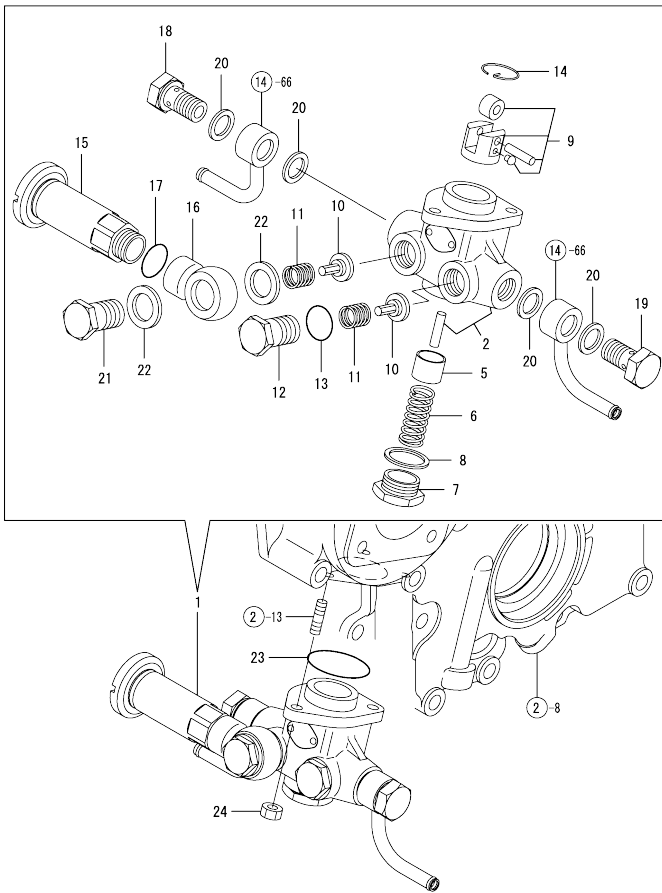
No.	Lev.	Parts No.	Description	Q'ty						I	R
				(A)	(B)	(C)	(D)	(E)	(F)		
3	2	158553-61050	GASKET, CASE	1							
4	2	158553-61070	GASKET, CASE	1							
6	2	129155-51280	O-RING, S6	1							
22	2	129255-61410	NUT, CONTROL LEVER	1							
23	2	119807-61420	SPRING, RETURN	1							
24	2	158552-61441	LEVER, REGULATOR	1							
25	2	129155-61460	BOLT, IDLE LIMIT	1							
59	2	119660-61901	STOPPER, SHAFT	1							
63	2	22190-120000	WASHER, SEAL 12	1							
65	2	23887-120002	PLUG, 12	1							
67	2	26106-060102	BOLT, M6X 10 PLATED	1							
68	2	26756-060002	NUT, LOCK M6	1							
76	2	158552-61900	O-RING	1							
82	2	26106-060142	BOLT, M6X 14 PLATED	2							
83	2	26106-060142	BOLT, M6X 14 PLATED	4							
84	2	26106-060202	BOLT, M6X 20 PLATED	10							
85	2	129642-61060	COVER, GOVERNOR CASE	1							
128	2	119233-77932	SOLENOID, STOP	1							
128-1	2	129636-77950 (A=EM9072)	SOLENOID, STOP	1							N
128-2	2	129630-77900 (A=EV5696)	SOLENOID, STOP	1							R

Remarks

* This figure(Governor) is incorporated in the Fuel Injection Pump(Fig.11).

N:Old $\frac{100}{100}$ New, Q:Old $\frac{100}{100}$ New, R:Old $\frac{100}{100}$ New, S:Old $\frac{100}{100}$ New, W:Add, Z:Discontinued, F:Interchangeable by set, K:Q'ty Change
 Copyright (C) YANMAR GLOBAL CS CO., LTD. All Rights Reserved.

Fig.13. FEED PUMP

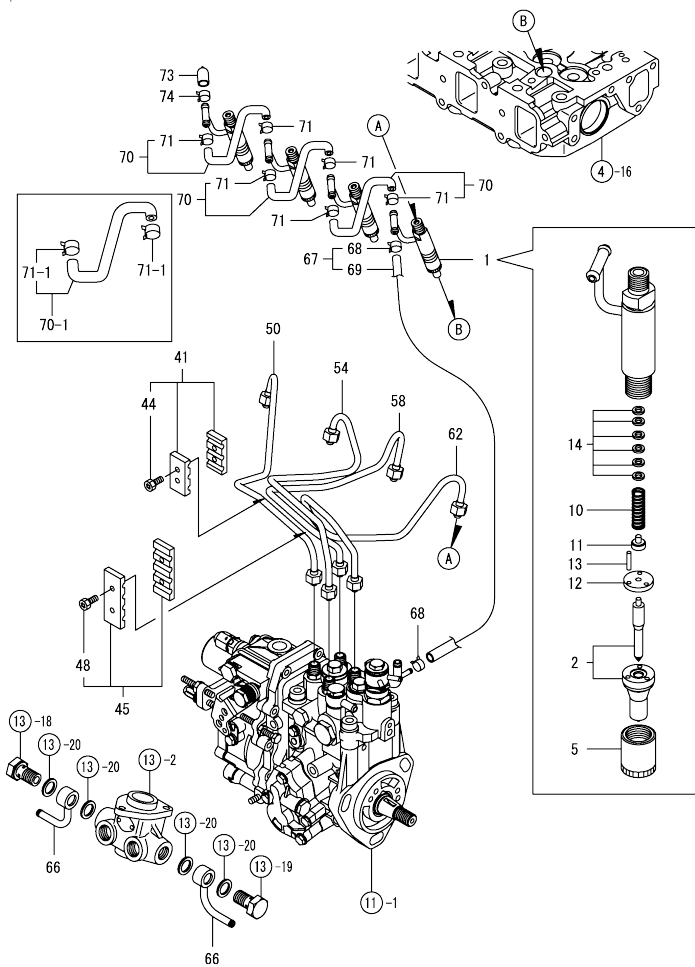


(A)=4TNV88-SMRE
(B)=
(C)=

(D)=
(E)=
(F)=

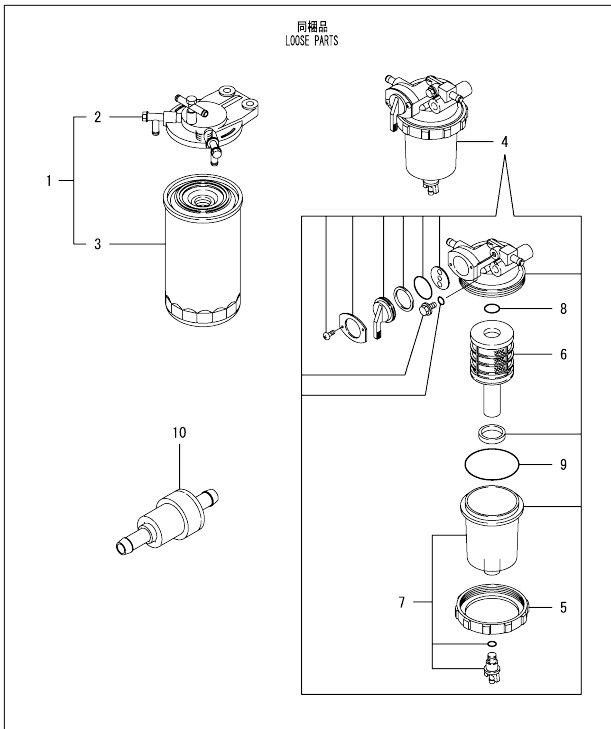
No.	Lev.	Parts No.	Description	Q'ty					
				(A)	(B)	(C)	(D)	(E)	(F)
1	1	129486-52011	PUMP ASSY, FUEL FEED	1					
2	2	129486-52100	BODY, FEED PUMP	1					
5	2	129486-52130	PISTON	1					
6	2	129486-52140	SPRING, PISTON	1					
7	2	129486-52150	RETAINER	1					
8	2	129486-52160	GASKET	1					
9	2	129486-52170	TAPPET ASSY	1					
10	2	129486-52180	VALVE	2					
11	2	129486-52190	SPRING	2					
12	2	129486-52200	RETAINER, VALVE	1					
13	2	129486-52210	O-RING	1					
14	2	129486-52220	PIN, SNAP	1					
15	2	129486-52230	PUMP ASSY	1					
16	2	129486-52240	ADAPTER	1					
17	2	129486-52250	O-RING	1					
18	2	129486-52260	BOLT, PIPE JOINT	1					
19	2	129486-52270	BOLT, PIPE JOINT	1					
20	2	129486-52290	GASKET	4					
21	2	129486-52300	BOLT, PIPE JOINT	1					
22	2	129486-52310	GASKET	2					
23	1	24341-000315	O-RING, 1AS31.5	1					
24	1	26716-060002	NUT, M6	3					

Fig.14. FUEL INJECTION VALVE



No.	Lev.	Parts No.	Description	Qty						I	R
				(A)	(B)	(C)	(D)	(E)	(F)		
1	1	729642-53100	VALVE ASSY,INJECTION	4							
2	2	129640-53001	VALVE ASSY,INJECTION	4							
5	2	114250-53080	NUT, NOZZLE	4							
10	2	114250-53120	SPRING, NOZZLE	4							
11	2	114250-53130	SEAT, SPRING	4							
12	2	114250-53140	SPACER, VALVE STOP	4							
13	2	114250-53210	PIN, POSITIONING	8							
14	2	119803-53400	SHIM SET	4							
41	1	129150-59120	RETAINER, PIPE	1							
44	2	129150-59131	BOLT, M4X14	2							
45	1	129550-59120	RETAINER, PIPE	1							
48	2	129150-59131	BOLT, M4X14	2							
50	1	129601-59810	PIPE ASSY, INJECTION	1							
54	1	129685-59820	PIPE ASSY, INJECTION	1							
58	1	129685-59830	PIPE ASSY, INJECTION	1							
62	1	129685-59840	PIPE ASSY, INJECTION	1							
66	1	129636-59200	JOINT, PIPE	2							
67	1	129636-59561	PIPE ASSY, RETURN	1							
68	2	124060-77680	CLAMP, HOSE 10	2							
69	2	129636-59661	PIPE, FUEL RETURN	1							
70	1	129486-59581	HOSE, FUEL RETURN	3							
70-1	1	129486-59582	PIPE ASSY, FO RETURN	3							N
		(A=E137377)									
71	2	124060-77680	CLAMP, HOSE 10	6							
71-1	2	124066-59100	CLAMP, HOSE 8	6							S
		(A=E137377)									
73	1	119593-59581	CAP, RETURN PIPE	1							
74	1	124060-77680	CLAMP, HOSE 10	1							

Fig.15. FUEL FILTER

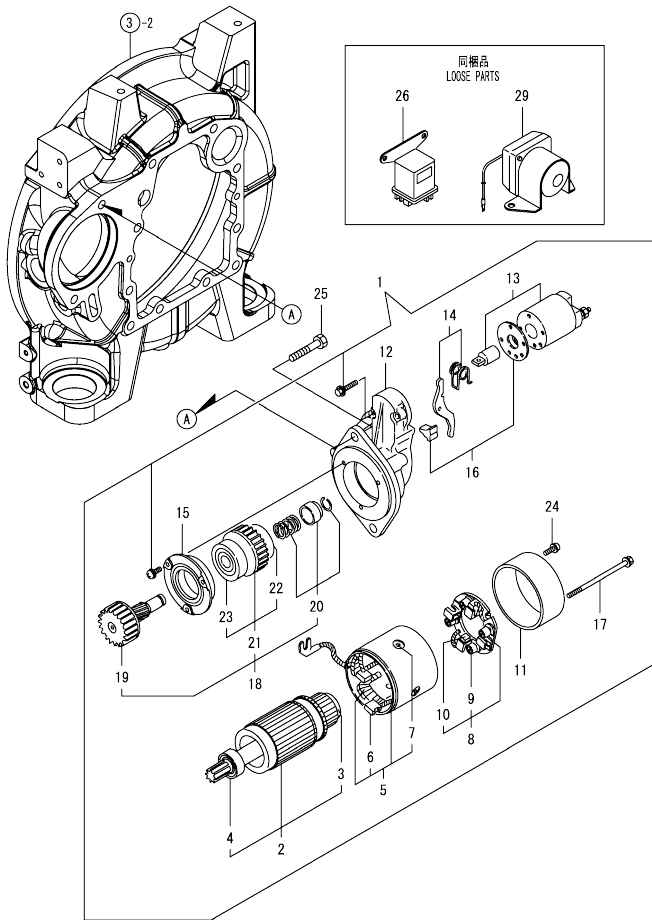


(A)=4TNV88-SMRE
(B)=
(C)=

(D)=
(E)=
(F)=

No.	Lev.	Parts No.	Description	Q'ty					
				(A)	(B)	(C)	(D)	(E)	(F)
1	1	129636-55600	FILTER ASSY, FUEL	1					
2	2	119934-55611	BRACKET, FILTER	1					
3	2	123907-55801	FILTER, FUEL	1					
4	1	119802-55700	SEPARATOR ASSY	1					
5	2	129100-55690	RING, RETAINING	1					
6	2	119802-55710	ELEMENT	1					
7	2	119802-55730	CUP ASSY	1					
8	2	24311-000160	O-RING, 1AP16.0	1					
9	2	24321-000650	O-RING, 1AG65.0	1					
10	1	119802-59950	VALVE, CHECK	1					

Fig.16. STARTING MOTOR



(A)=4TNV88-SMRE
(B)=
(C)=

(D)=
(E)=
(F)=

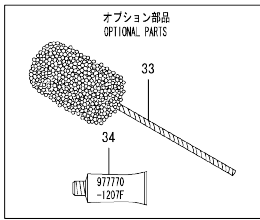
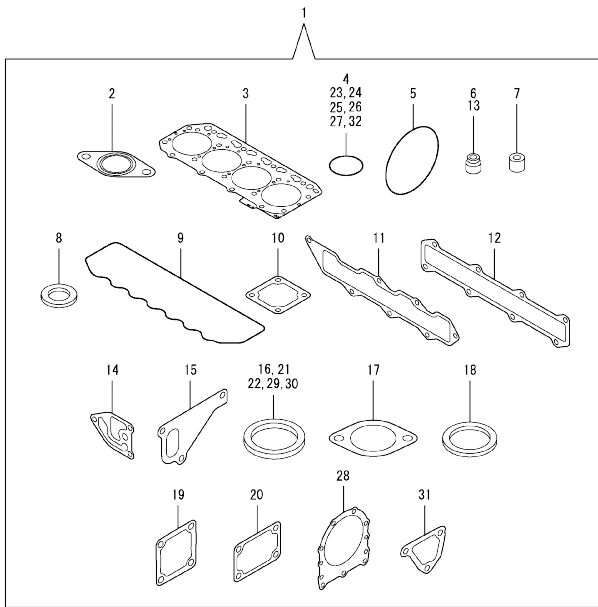
No.	Lev.	Parts No.	Description	Qty						I	R
				(A)	(B)	(C)	(D)	(E)	(F)		
1	1	129685-77011	STARTER, 2.3KW	1							
1-1	1	129685-77020 (A=E103590)	MOTOR, STARTER(2.3KW)	1							R
1-2	1	129685-77021 (A=E118129)	STARTER, 12V-2.3KW	1							R
1-3	1	129687-77010 (A=E137376)	STARTER, 12V-2.3KW	1							R
2	2	129685-77400	ARMATURE ASSY	1							
3	3	171008-77410	BEARING, BALL 1	1							
4	3	171008-77420	BEARING, BALL 2	1							
5	2	129685-77440	COIL ASSY, FIELD	1							
5-1	2	129687-77440 (A=E137376)	COIL ASSY, FIELD	1							R
6	3	129900-77450	BRUSH, +	2							
7	3	171008-77450	SCREW, CORE SET	4							
8	2	129900-77480	HOLDER ASSY, BRUSH	1							
8-1	2	129685-77580 (A=E103590)	HOLDER ASSY, BRUSH	1							R
9	3	X2130631300	SPRING, BRUSH	4							
10	3	129900-77450	BRUSH, +	2							
11	2	129685-77510	COVER, REAR	1							
11-1	2	129687-77560 (A=E137376)	COVER, REAR	1							R
12	2	129685-77520	CASE, GEAR	1							
12-1	2	129687-77520 (A=E137376)	CASE, GEAR	1							R
13	2	129685-77530	SWITCH ASSY, MAGNET	1							
14	2	129685-77540	LEVER SET, SHIFT	1							
15	2	129685-77550	RETAINER, BEARING	1							
16	2	129685-77570	COVER KIT, DUST	1							
17	2	129685-77640	BOLT, THROUGH	2							
18	2	129685-77650	CLUTCH ASSY, PINION	1							
19	3	129685-77660	SHAFT, PINION	1							
20	3	171008-77670	STOPPER SET, PINION	1							
21	3	129685-77720	CLUTCH ASSY	1							
22	4	X2114955020	BEARING, BALL	1							
23	4	X2114555020	BEARING, BALL	1							
24	2	129940-77280 (A=E103590)	SCREW, M4	2							W
25	1	26116-120252	BOLT, M12X 25 PLATED	2							
26	1	119650-77910	RELAY ASSY, GLOW	1							
29	1	129100-77910	RELAY, MAGNET	2							

OCD11-M01000 4TNV88-SMRE
 Fig.17. GASKET SET

OCD11-M01000 Fig.17

(A)=4TNV88-SMRE
 (B)=
 (C)=

(D)=
 (E)=
 (F)=



No.	Lev.	Parts No.	Description	Q'ty						I	R
				(A)	(B)	(C)	(D)	(E)	(F)		
1	1	729685-92610	GASKET SET	1							1
2	2	129636-13200	GASKET	3							
3	2	129685-01330	GASKET, HEAD	1							
4	2	129486-42140	O-RING, G30	1							
5	2	121850-51960	O-RING	1							
6	2	124460-11340	SEAL, VALVE STEM	4							
7	2	119802-11870	PROTECTOR, NOZZLE	4							
8	2	119625-11880	SEAT, NOZZLE	4							
9	2	129601-11310	GASKET, BONNET	1							
10	2	129150-77511	GASKET	1							
11	2	129407-12110	GASKET, MANIFOLD	1							
12	2	129407-13110	GASKET	1							
13	2	121400-11340	SEAL, VALVE STEM	4							
14	2	129103-35122	GASKET	1							
15	2	129486-42021	GASKET, WATER PUMP	1							
16	2	124465-44950	GASKET, 16	3							
17	2	129795-49551	GASKET	1							
18	2	129150-49811	GASKET, THERMOSTAT	1							
19	2	129100-77510	GASKET, AIR HEATER	1							
20	2	129486-11681	GASKET	1							
21	2	22190-100002	WASHER, SEAL 10	2							
22	2	22190-080002	WASHER, SEAL 6	6							
23	2	24311-000120	O-RING, 1AP12.0	3							
24	2	24341-000400	O-RING, 1AS40.0	1							
25	2	129900-32030	O-RING, P20	3							
26	2	119609-32040	O-RING, P16	2							
27	2	129486-01830	O-RING, P32	1							
28	2	129486-01660	GASKET	1							
29	2	22190-220002	WASHER, SEAL 22	1							
30	2	23414-060000	GASKET, 6X1.0	1							
31	2	129486-49840	GASKET	1							
32	2	24341-000315	O-RING, 1AS31.5	1							
33	1	129400-92420	FLEX HORN	1							1
34	1	977770-1207F	GASKET,LIQUID	1							1

Remarks
 (1) OPTIONAL PART.

N:Old $\frac{100}{100}$ New, Q:Old $\frac{100}{100}$ New, R:Old $\frac{100}{100}$ New, S:Old $\frac{100}{100}$ New, W:Add, Z:Discontinued, F:Interchangeable by set, K:Qty Change
 Copyright (C) YANMAR GLOBAL CS CO., LTD. All Rights Reserved.

Parts No. Index

Parts No.	Fig. No.	Ref. No.
114250-39450	9	12
114250-53080	14	5
114250-53120	14	10
114250-53130	14	11
114250-53140	14	12
114250-53210	14	13
119233-77932	12	128
119285-01731	4	29
	5	7
119309-01810	1	39
119515-42350	10	24
119593-59581	14	73
119609-32040	2	18
	17	26
119620-01750	3	4
119620-49290	10	47
119625-11880	4	38
	17	8
119640-01640	3	12
119650-77910	16	26
119660-61901	12	59
119802-01561	2	6
119802-11260	4	7
119802-11270	4	8
119802-11870	4	37
	17	7
119802-13600	6	4
119802-13710	6	5
119802-21202	8	4
119802-25071	7	12
119802-25101	7	9
119802-32111	2	24
119802-32120	2	25
119802-32130	2	26
119802-39450	9	14
119802-51090	11	11
119802-51560	11	59
119802-51590	11	65
119802-51600	11	66
119802-51680	11	70
119802-51690	11	71
119802-55700	15	4
119802-55710	15	6
119802-55730	15	7
119802-59950	15	10
119803-53400	14	14
119807-61420	12	23
119885-01990	4	18
119934-01800	2	12
119934-55611	15	2

Parts No.	Fig. No.	Ref. No.
120130-11860	4	35
120270-54410	4	40
121111-21501	8	11
121250-44901	10	50
121400-11340	4	26
	17	13
121450-42450	10	19
		49
121550-23200	8	26
121850-21680	8	9
121850-51960	2	27
	17	5
123907-55801	15	3
124060-01050	1	4
124060-77680	14	68
		71
		74
124066-59100	14	71 -1
124085-01771	3	14
124101-49531	10	43
124160-01751	2	14
124160-01910	1	6
		7
124160-11360	4	54
124160-39140	9	13
124240-01871	2	15
124460-11340	4	27
	17	6
124465-44950	10	20
		51
		52
	17	16
124722-59050	10	55
		58
127695-35150	9	10
129001-01250	1	5
129001-02931	1	30
129001-32330	2	23
129001-91841	2	28
129001-91910	3	19
129004-01190	1	27
129004-11130	4	24
129004-11650	4	10
129004-11900	4	39
129004-49711	10	54
129005-59830	9	15
129006-03120	4	48
129033-01770	9	6
129100-01580	2	7
	3	1

Parts No.	Fig. No.	Ref. No.
129100-01580	3	23
	8	2
129100-11112	4	22
129100-23910	8	29
129100-55690	15	5
129100-77510	5	13
	17	19
129100-77910	16	29
129103-35122	9	9
	17	14
129150-01200	1	28
129150-02020	1	9
129150-02450	7	4
129150-02871	1	33
129150-02931	1	24
129150-02941	1	36
129150-03070	4	47
129150-11230	4	11
129150-11280	4	9
129150-11370	4	15
129150-11750	4	13
129150-11810	4	36
129150-14101	7	6
129150-14200	7	1
129150-14400	7	2
129150-23601	8	27
129150-23611	8	36
129150-25301	7	14
129150-49811	10	42
	17	18
129150-59120	14	41
129150-59131	14	44
		48
129150-77511	5	12
	17	10
129155-49801	10	41
129155-51020	2	13
129155-51280	12	6
129155-61460	12	25
129202-22300	8	21
129255-61410	12	22
129400-92420	17	33
129407-12110	5	5
	17	11
129407-13110	6	2
	17	12
129410-03990	5	3
129418-32320	2	22
129486-01650	3	24
129486-01660	3	25

Parts No.	Fig. No.	Ref. No.
129486-01660	17	28
129486-01670	3	26
129486-01780	3	27
129486-01830	3	18
	17	27
129486-07910	4	1
129486-11120	4	23
129486-11670	4	28
129486-11681	4	31
	17	20
129486-14580	7	3
129486-21600	8	14
129486-21601	8	14 -1
129486-42021	10	1
	17	15
129486-42040	10	2
129486-42140	10	18
	17	4
129486-49840	10	21
	17	31
129486-52011	13	1
129486-52100	13	2
129486-52130	13	5
129486-52140	13	6
129486-52150	13	7
129486-52160	13	8
129486-52170	13	9
129486-52180	13	10
129486-52190	13	11
129486-52200	13	12
129486-52210	13	13
129486-52220	13	14
129486-52230	13	15
129486-52240	13	16
129486-52250	13	17
129486-52260	13	18
129486-52270	13	19
129486-52290	13	20
129486-52300	13	21
129486-52310	13	22
129486-59581	14	70
129486-59582	14	70 -1
129509-51390	11	40 A
129550-59120	14	45
129579-77500	5	11
129601-03080	5	2
129601-11241	4	4
129601-11251	4	5
129601-11310	4	50
	17	9

Parts No. Index

Parts No.	Fig. No.	Ref. No.
129601-21002	8	1
129601-51250	11	132
129601-59810	14	50
129630-77900	12	128 -2
129636-01690	3	2
129636-01751	3	7
129636-01761	3	11
129636-01770	3	7 -1
129636-01780	3	11 -1
129636-01791	3	17
129636-07910	4	2
129636-13100	6	1
129636-13200	6	8
	17	2
129636-13400	6	3
129636-21590	8	12
129636-22080	8	15
129636-22500	8	17
129636-22900	8	30
129636-22950	8	32
129636-35090	9	2
129636-35100	9	5
129636-35200	9	8
129636-42100	10	3
129636-42290	10	26
129636-42501	10	27
129636-42530	10	32
129636-42540	10	28
129636-42550	10	29
129636-42570	10	30
129636-42590	10	31
129636-42611	10	35
129636-49720	10	57
129636-49780	10	53
129636-49790	10	56
129636-55600	15	1
129636-59200	14	66
129636-59561	14	67
129636-59661	14	69
129636-77950	12	128 -1
129640-53001	14	2
129642-61060	12	85
129685-01330	1	29
	17	3
129685-01490	2	1
129685-01550	2	3
129685-01560	2	4
129685-01571	2	5
129685-01590	2	8
129685-03010	4	46

Parts No.	Fig. No.	Ref. No.
129685-03100	5	1
129685-03110	5	4
129685-11351	4	45
129685-11700	4	16
129685-12110	5	6
129685-21720	8	10
129685-25060	7	8
129685-25900	7	15
129685-25930	7	16
129685-32070	2	20
129685-32100	2	19
129685-59820	14	54
129685-59830	14	58
129685-59840	14	62
129685-77011	16	1
129685-77020	16	1 -1
129685-77021	16	1 -2
129685-77400	16	2
129685-77440	16	5
129685-77510	16	11
129685-77520	16	12
129685-77530	16	13
129685-77540	16	14
129685-77550	16	15
129685-77570	16	16
129685-77580	16	8 -1
129685-77640	16	17
129685-77650	16	18
129685-77660	16	19
129685-77720	16	21
129687-77010	16	1 -3
129687-77440	16	5 -1
129687-77520	16	12 -1
129687-77560	16	11 -1
129795-01950	2	16
129795-02412	1	12
129795-11180	4	25
129795-21661	8	8
129795-49551	10	44
	17	17
	2	17
129900-32030	9	1
	17	25
129900-32130	2	21
129900-77450	16	6
	10	10
129900-77480	16	8
129916-59020	11	130
129940-77280	16	24
158552-51151	7	19

Parts No.	Fig. No.	Ref. No.
158552-51570	11	60
		61
158552-51580	11	64
158552-51600	11	74
158552-51670	11	5
158552-51781	11	101
158552-52200	11	108
158552-52310	11	110
158552-52400	11	111
158552-52500	11	109
158552-61441	12	24
158552-61900	12	76
158553-51551	11	4
158553-51630	11	75
158553-51640	11	77
158553-51660	11	79
158553-51670	11	69
158553-51680	11	80
158553-51770	11	107
158553-61050	12	3
158553-61070	12	4
158557-51570	11	62
158563-51281	11	39
		40
158563-51330	11	49
158600-51270	11	38
158601-51550	11	58
158601-51570	11	63
158601-51650	11	78
158601-51770	11	100
158601-51790	11	102
171008-77410	16	3
171008-77420	16	4
171008-77450	16	7
171008-77670	16	20
171051-01921	1	8
171340-77520	5	14
22190-080002	2	29
	9	16
	17	18
	17	22
22190-100002	9	19
	17	21
22190-120000	12	63
22190-120002	11	103
		112
		113
22190-180002	11	104
		114
22190-220002	3	16

Parts No.	Fig. No.	Ref. No.
22190-220002	17	29
22217-140000	7	20
	11	115
22252-000260	8	22
22252-000470	10	33
22312-050140	11	116
22351-030010	8	7
22351-050010	11	117
22351-060012	4	41
22512-070140	7	7
	8	5
22857-500100	4	51
		52
23061-070200	10	48
23414-060000	3	9
	17	30
23857-030000	9	17
23857-060000	11	118
23876-010000	2	10
23876-030000	2	11
23887-120002	11	105
	12	65
24104-063034	10	34
24311-000070	11	120
24311-000120	4	55
	17	23
24311-000160	15	8
24311-000320	2	14 A
24321-000650	15	9
24341-000315	13	23
	17	32
24341-000400	4	53
	17	24
24356-010180	11	121
24356-010200	11	72
		122
24372-000150	11	73
26014-060162	10	25
26106-060102	3	10
	11	123
	12	67
26106-060142	12	82
		83
26106-060162	6	6
26106-060202	12	84
26106-080122	2	30
26106-080142	4	3
	7	18
26106-080162	2	31
	4	32

Parts No. Index

Parts No.	Fig. No.	Ref. No.
26106-080162	9	4
	10	22
	11	133
26106-080202	5	9
	11	134
26106-080252	3	20
	4	42
	9	11
	10	45
26106-080352	3	30
	4	43
26106-080402	5	15
	7	13
26106-080452	2	32
	3	21
26106-080502	4	44
26106-080552	2	33
26106-080602	10	23
26106-080652	10	39
		46
26106-080802	5	10
		16
26106-080902	3	22
	10	40
26106-081004	10	36
26106-081202	3	19 -1
26116-120252	16	25
26206-100252	3	5
26206-100302	3	6
26226-080182	4	14
26306-080002	2	34
	6	7
26366-060002	9	20
26366-080002	10	37
26450-060162	7	17
26450-080452	11	127
26716-060002	13	24
26756-060002	12	68
26756-100002	10	38
26776-140002	7	21
	11	128
27241-120000	1	13
27241-300000	1	14
27310-080001	4	33
729402-23100	8	23
729602-01560	1	1
729642-51470	11	1
729642-51471	11	1 -1
729642-53100	14	1
729685-92610	17	1

Parts No.	Fig. No.	Ref. No.
977770-1207F	17	34
X2114555020	16	23
X2114955020	16	22
X2130631300	16	9

Parts No.	Fig. No.	Ref. No.
-----------	----------	----------

Parts No.	Fig. No.	Ref. No.
-----------	----------	----------