

0CW10-M51900EN

P R E F A C E

1. This parts catalog is the 1st edition of 4TNV88-ZDYLX for BROVECO.

Pub.No. : 0CW10-G51900

Published : June, 2009

2. Model name

Engine model	Vehicle	Vehicle made by
4TNV88-ZDYLX	SWEEPER	BROVECO

Directions for the Parts Catalog.

- The parts stipulated in this Parts Catalog are not necessarily standard equipped parts.
- Parts may change without prior notice.
- The following is an example of the Parts Catalog format.

REF.	LEV.	PARTS NO.	DESCRIPTION	Q'TY						I	R
				(A)	(B)	(C)	(D)	(E)	(F)		
1	1	729595-51390	FUEL INJECTION PUMP	1	1	1	1	1			1
1-1	1	729595-51391	FUEL INJECTION PUMP	1	1	1	1	1		N	1
		(A=E00185) (B=E00200)									
3	2	26022-060162	SCREW M 6X 16	9	9	9	9	9			
3-1	2	26022-060162	SCREW M 6X 16	4	4	4	4	4		K	
		(A=E00156) (B=E00156) (C=E00156) (D=E00156) (E=E00156)									
4	2	129470-51040	CAMSHAFT	1	1	1	1	1			
5	2	122710-51050	BEARING, ROLLER	2	2	2	2	2			
6	2	129470-51060	RETAINER	1	1	1	1	1			

Remarks
(1) BOOST COMPEMSATOR TYPE. OPTIONAL PART, TO E00155,(4JH-DT, 4JH-DTZ

① Ref. No.

The Ref. No. listed may not be in accordance with the illustration Ref. No.

(Ex.) Illustration No.

List Ref No.

1 1 (Before change) → 1-1 (After change)

For interchangeable symbols N, R and K, illustrations for new parts may be abbreviated.

② Lev. (Level)

Level indication

The numbers below indicate the level of relativity towards the main part.

1 ---- Main parts (Assembly parts)

2 ---- Sub component included in " 1 ".

3 ---- Sub component included in " 2 ".

Note) Parts that are not for sale are partially illustrated but not listed.

③ Interchangeability Mark

When a part change takes place, one of the following interchangeability symbols is indicated beside the part.

Symbol	Interchangeability	Contents note
N	Old $\begin{matrix} \leftarrow \text{Yes} \\ \text{No} \rightarrow \end{matrix}$ New	New Part is interchangeable for Old Part but Old Part is not interchangeable for New Part.
Q	Old $\begin{matrix} \leftarrow \text{No} \\ \text{Yes} \rightarrow \end{matrix}$ New	New Part is not interchangeable for Old Part but Old Part is interchangeable for New Part.
R	Old $\begin{matrix} \leftarrow \text{Yes} \\ \text{Yes} \rightarrow \end{matrix}$ New	New/ Old Parts are both interchangeable.
S	Old $\begin{matrix} \leftarrow \text{No} \\ \text{No} \rightarrow \end{matrix}$ New	New/ Old Parts are both not interchangeable.
W		Part newly added.
Z		Part discontinued.
F		Not interchangeable by a single part but interchangeable together with related parts.
K		Changes only for used parts quantities.

④ Effective Machine No.

When a part changes, the effective Machine No. will be indicated in the (A)-(F) column.

Product Symbol	Product No.	Product Symbol	Product No.
C	Clutch No. Compressor No.	F	Machine No. (Agricultural Equip.)
D	Drive No.	M	Machine No.
E	Engine No.		

Note 1) A date may follow the symbol. (Ex.) 1996.01

Note 2) "XXXXX" and "ZZZZZ" are for parts that could not be predicted or for engine models that could not be identified.

Note 3) (A=E00185) is the E (Engine Serial Number) for the column (A) model (in this case 4JH-DT) after the parts design change.

⑤ Remarks Mark

Figures or alphabets (symbols) are entered in the remarks column.

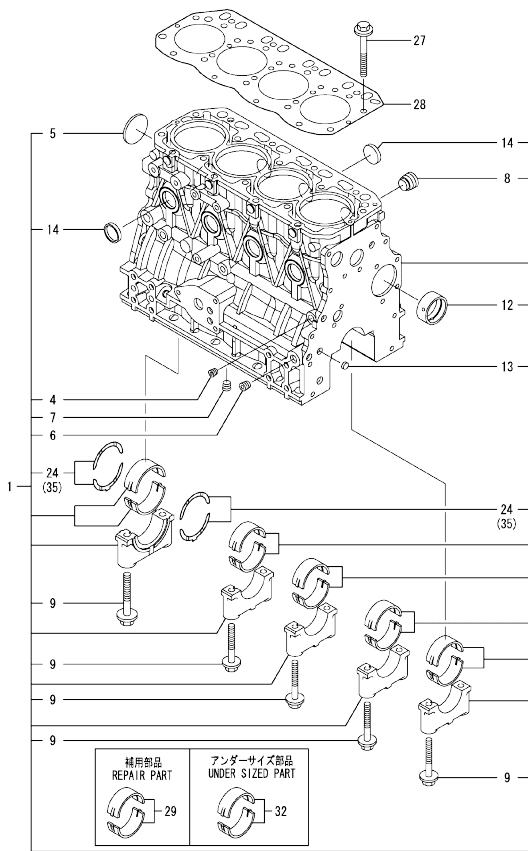
The comments (remarks) on parts that are indicated at the bottom of the illustration are the same symbols as those stated above.

Contents

0CW10-M51900

Fig. No.	Fig. Name	Fig. No.	Fig. Name
4TNV88-ZDYLX			
1.	CYLINDER BLOCK		
2.	GEAR HOUSING		
3.	FLYWHEEL HOUSING & OIL SUMP		
4.	CYLINDER HEAD & BONNET		
5.	SUCTION MANIFOLD		
6.	EXHAUST MANIFOLD		
7.	CAMSHAFT & DRIVING GEAR		
8.	CRANKSHAFT & PISTON		
9.	LUB.OIL SYSTEM		
10.	COOLING WATER SYSTEM		
11.	FUEL INJECTION PUMP		
12.	GOVERNOR		
13.	FUEL INJECTION VALVE		
14.	FUEL LINE		
15.	STARTING MOTOR		
16.	GENERATOR		
17.	ELECTRONIC CONTROL UNIT (ECU)		
18.	GASKET SET		

Fig.1. CYLINDER BLOCK



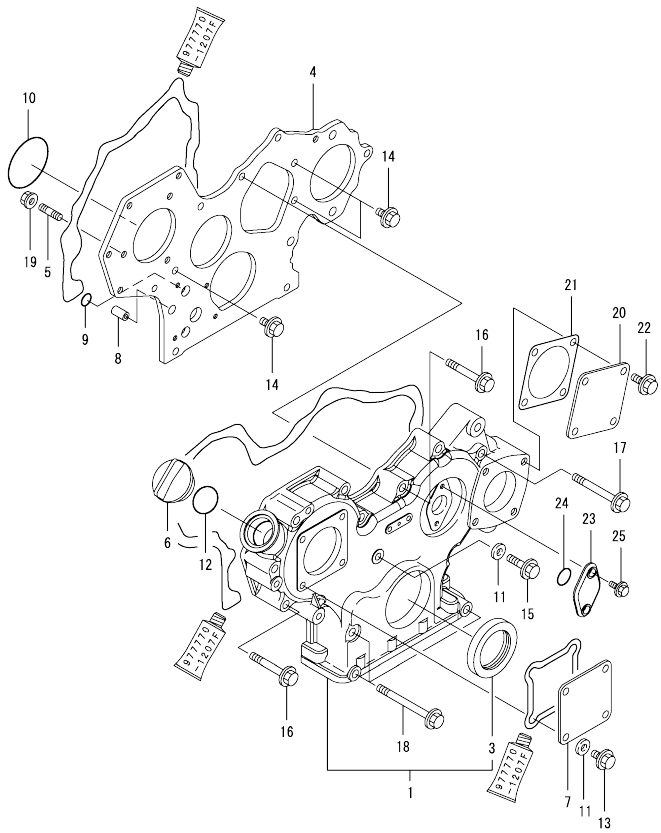
(A)=4TNV88-ZDYLX
(B)=
(C)=

(D)=
(E)=
(F)=

No.	Lev.	Parts No.	Description	Q'ty						I	R
				(A)	(B)	(C)	(D)	(E)	(F)		
1	1	729602-01560	BLOCK ASSY, CYLINDER	1							
4	2	124060-01050	PLUG, PT1/8	1							
5	2	129001-01250	PLUG, 50	1							
6	2	124160-01910	PLUG, PT1/4	2							
7	2	124160-01910	PLUG, PT1/4	1							
8	2	171051-01921	PLUG, NPTF1	1							
9	2	129150-02020	BOLT, METAL CAP	10							
12	2	129795-02412	BUSH, CAMSHAFT	1							
13	2	27241-120000	PLUG, 12	2							
14	2	27241-300000	PLUG 30	8							
24	2	129150-02931	BEARING, THRUST	2							
27	1	129150-01200	BOLT, HEAD	18							
28	1	129407-01340	GASKET, HEAD	1							
29	1	129001-02931	BEARING, MAIN	5							1
32	1	129150-02871	BEARING, 0.25 US	5							2
35	1	129150-02941	BEARING, THRUST 0.25	1							3

Remarks
 (1) REPAIR PART.
 (2) UNDER-SIZED(U.S=0.25)PART.
 (3) OVER-SIZED(O.S=0.25)PART.

Fig.2. GEAR HOUSING

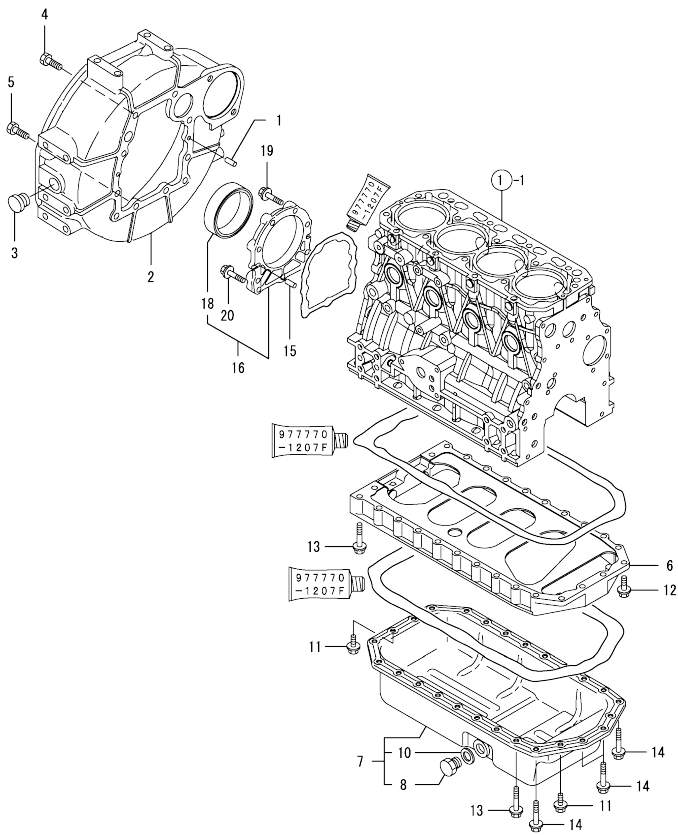


(A)=4TNV88-ZDYLX
(B)=
(C)=

(D)=
(E)=
(F)=

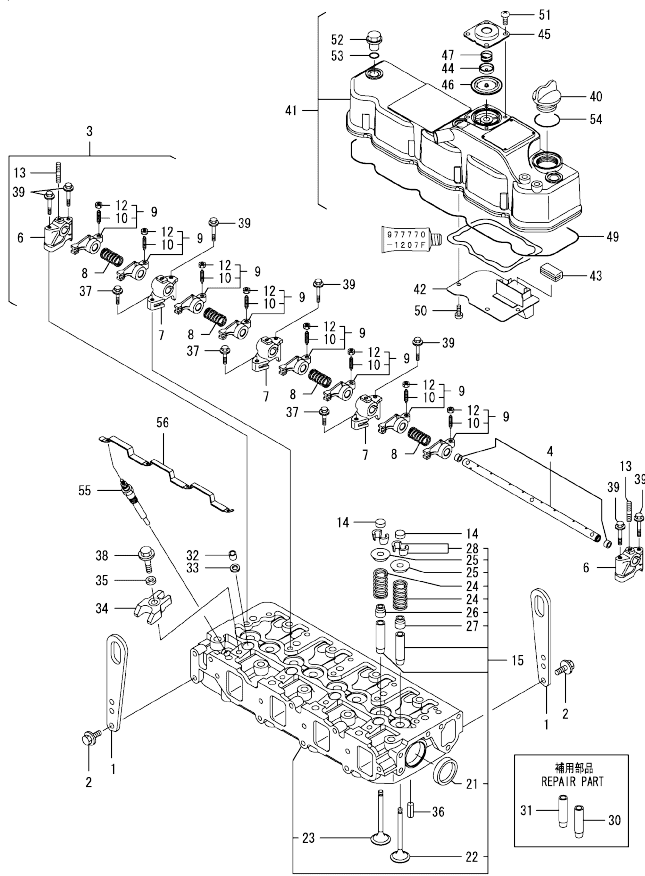
No.	Lev.	Parts No.	Description	Q'ty						I	R
				(A)	(B)	(C)	(D)	(E)	(F)		
1	1	729652-01500	CASE ASSY, GEAR	1							
3	2	119934-01800	SEAL, OIL	1							
4	1	129604-01520	FLANGE, GEAR CASE	1							
5	1	119802-01561	STUD, M8X25	3							
6	1	124160-01751	COVER, FILLER	1							
7	1	124240-01871	COVER	1							
8	1	129795-01950	PIPE, KNOCK L=18	2							
9	1	119609-32040	O-RING, P16	2							
10	1	121850-51960	O-RING	1							
11	1	22190-080002	WASHER, SEAL 6	5							
12	1	24311-000320	O-RING, 1AP32.0	1							
13	1	26106-080162	BOLT, M8X 16 PLATED	4							
14	1	26106-080162	BOLT, M8X 16 PLATED	3							
15	1	26106-080302	BOLT, M8X 30 PLATED	1							
16	1	26106-080552	BOLT, M8X 55 PLATED	9							
17	1	26106-080702	BOLT, M8X 70 PLATED	1							
18	1	26106-080852	BOLT, M8X 85 PLATED	3							
19	1	26306-080002	NUT, M8	3							
20	1	124240-01871	COVER	1							
21	1	124240-01883	GASKET	1							
22	1	26106-080162	BOLT, M8X 16 PLATED	4							
23	1	121023-01551	COVER	1							
24	1	24341-000240	O-RING, 1AS24.0	1							
25	1	26106-060162	BOLT, M6X 16 PLATED	2							

Fig.3. FLYWHEEL HOUSING & OIL SUMP



No.	Lev.	Parts No.	Description	Q'ty						I	R
				(A)	(B)	(C)	(D)	(E)	(F)		
1	1	129100-01580	PIN, M8X16	2							
2	1	129612-01600	HOUSING, FLYWHEEL	1							
3	1	119620-01750	CAP	1							
4	1	26206-100252	BOLT, M10X 25 PLATED	6							
5	1	26206-100302	BOLT, M10X 30 PLATED	4							
6	1	129400-01730	SPACER, OIL SUMP	1							
7	1	129400-01770	SUMP ASSY, OIL	1							
7-1	1	129688-01780 (A=EP3527)	OIL PAN ASSY, DEEP	1							N
8	2	119640-01640	PLUG, DRAIN M22	1							
10	2	22190-220002	WASHER, SEAL 22	1							
11	1	26106-080162	BOLT, M8X 16 PLATED	4							
12	1	26106-080252	BOLT, M8X 25 PLATED	2							
13	1	26106-080452	BOLT, M8X 45 PLATED	20							
14	1	26106-080502	BOLT, M8X 50 PLATED	4							
15	1	129100-01580	PIN, M8X16	2							
16	1	129100-01640	CASE ASSY, OIL SEAL	1							
18	2	129795-01780	SEAL, OIL	1							
19	1	129486-01670	BOLT, M8X30	6							
20	1	26106-080352	BOLT, M8X 35 PLATED	3							

Fig.4. CYLINDER HEAD & BONNET



(A)=4TNV88-ZDYLX
(B)=
(C)=

(D)=
(E)=
(F)=

No.	Lev.	Parts No.	Description	Q'ty						I	R
				(A)	(B)	(C)	(D)	(E)	(F)		
1	1	129900-07900	LIFTER	2							
2	1	26106-080162	BOLT, M8X 16 PLATED	4							
3	1	129601-11241	SHAFT ASSY, ROCKER	1							
4	2	129601-11251	SHAFT, ROCKER ARM	1							
6	2	119802-11260	SUPPORT, ROCKER ARM	2							
7	2	119802-11270	SUPPORT, ROCKER ARM	3							
8	2	129150-11280	SPRING	4							
9	2	129004-11650	ARM, ROCKER	8							
10	3	129150-11230	SCREW, VALVE ADJUST	8							
12	3	129150-11750	NUT, M8	8							
13	2	26226-080182	STUD, M8X 18	3							
14	1	129150-11370	CAP, VALVE	8							
15	1	129604-11710	HEAD ASSY, CYLINDER	1							
21	2	27241-400000	PLUG, 40	2							
22	2	129005-11100	VALVE, INTAKE	4							
23	2	129100-11112	VALVE, EXHAUST	4							
24	2	129795-11120	SPRING, VALVE	8							
25	2	129795-11180	RETAINER, SPRING	8							
26	2	121400-11340	SEAL, VALVE STEM	4							
27	2	124460-11340	SEAL, VALVE STEM	4							
28	2	27310-080001	COTTER, 8	8							
30	1	120130-11860	GUIDE, VALVE	4							1
31	1	129150-11810	GUIDE, VALVE	4							1
32	1	119802-11870	PROTECTOR, NOZZLE	4							
33	1	119625-11880	SEAT, NOZZLE	4							
34	1	129004-11900	RETAINER, NOZZLE	4							
35	1	120270-54410	WASHER, INJECTOR	4							
36	1	22351-060012	PIN, SPRING 6.0X12	2							
37	1	26106-080252	BOLT, M8X 25 PLATED	3							
38	1	26106-080352	BOLT, M8X 35 PLATED	4							
39	1	26106-080502	BOLT, M8X 50 PLATED	7							
40	1	124160-01751	COVER, FILLER	1							
41	1	129601-11350	BONNET ASSY, HEAD	1							
42	2	129004-03010	PLATE	1							
43	2	129150-03070	BAFFLE, BREATHER	1							
44	2	119802-03110	PLATE	1							
45	2	119802-03121	COVER, DIAPHRAGM	1							
46	2	119802-03130	DIAPHRAGM	1							
47	2	119802-03141	SPRING, DIAPHRAGM	1							
49	2	129601-11310	GASKET, BONNET	1							
50	2	22857-500100	SCREW, 5X10	4							
51	2	22857-500100	SCREW, 5X10	4							
52	1	124160-11360	KNOB	3							
53	1	24311-000120	O-RING, 1AP12.0	3							
54	1	24311-000320	O-RING, 1AP32.0	1							
55	1	129008-77800	PLUG, GLOW	4							
56	1	129604-77821	CONNECTOR, GLOW PLUG	1							

Remarks
(1) REPAIR PART.

N:Old $\frac{100}{100}$ New, Q:Old $\frac{100}{100}$ New, R:Old $\frac{100}{100}$ New, S:Old $\frac{100}{100}$ New, W:Add, Z:Discontinued, F:Interchangeable by set, K:Q'ty Change
Copyright (C) YANMAR GLOBAL CS CO., LTD. All Rights Reserved.

Fig.5. SUCTION MANIFOLD

(A)=4TNV88-ZDYLX
 (B)=
 (C)=

(D)=
 (E)=
 (F)=

No.	Lev.	Parts No.	Description	Q'ty						I	R
				(A)	(B)	(C)	(D)	(E)	(F)		
1	1	129601-03080	PIPE , BREATHER	1							
2	2	129410-03990	CLAMP 22	2							
3	1	129601-12100	MANIFOLD, AIR INTAKE	1							
4	1	129407-12110	GASKET, MANIFOLD	1							
5	1	26106-080202	BOLT, M8X 20 PLATED	6							
6	1	26106-080802	BOLT, M8X 80 PLATED	1							
7	1	129486-12581	JOINT, MANIFOLD	1							
8	1	129150-77511	GASKET	1							
9	1	26106-080202	BOLT, M8X 20 PLATED	4							

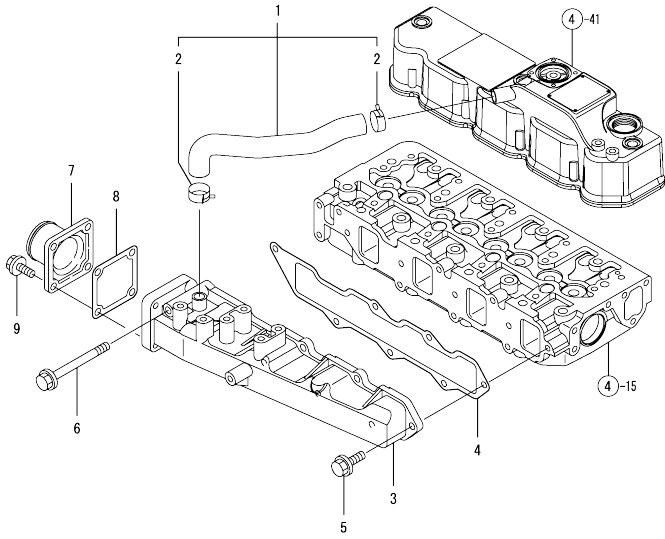
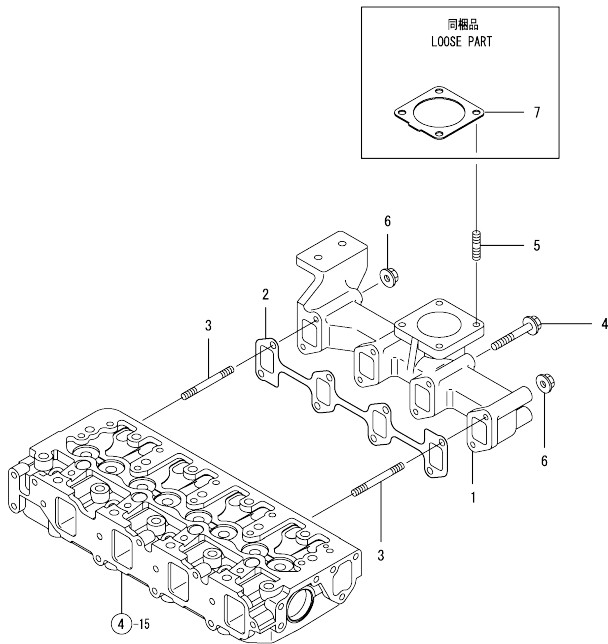


Fig.6. EXHAUST MANIFOLD

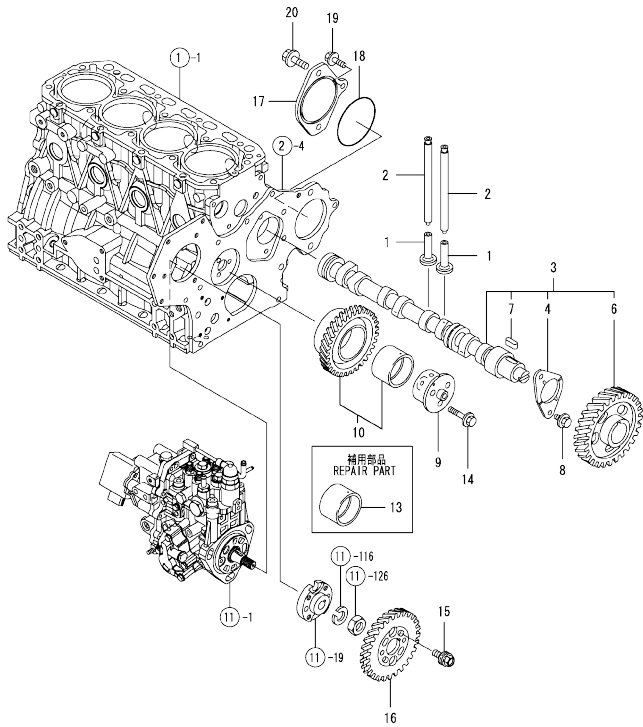


(A)=4TNV88-ZDYLX
(B)=
(C)=

(D)=
(E)=
(F)=

No.	Lev.	Parts No.	Description	Q'ty					
				(A)	(B)	(C)	(D)	(E)	(F)
1	1	129601-13109	MANIFOLD, EXHAUST	1					
2	1	129550-13110	GASKET	1					
3	1	123900-13610	STUD, M8X80	2					
4	1	123900-13630	BOLT, M8X80	6					
5	1	119131-18320	STUD, M8X22	4					
6	1	26306-080002	NUT, M8	2					
7	1	129930-13201	GASKET, SILENCER	1					

Fig.7. CAMSHAFT & DRIVING GEAR



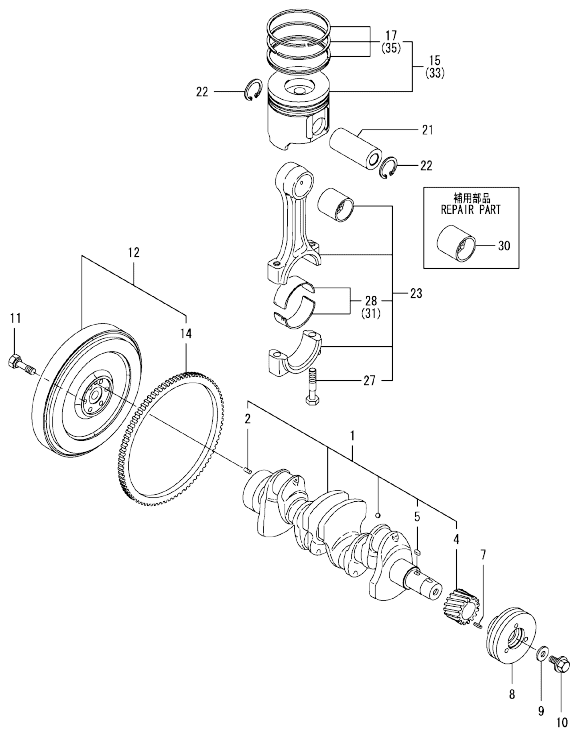
(A)=4TNV88-ZDYLX
(B)=
(C)=

(D)=
(E)=
(F)=

No.	Lev.	Parts No.	Description	Q'ty						I	R
				(A)	(B)	(C)	(D)	(E)	(F)		
1	1	129150-14200	TAPPET	8							
2	1	129150-14400	ROD, PUSH L=178	8							
3	1	729402-14580	CAMSHAFT ASSY	1							
4	2	129150-02450	BEARING, THRUST	1							
6	2	129150-14101	GEAR, CAMSHAFT	1							
7	2	22512-070140	KEY, 7X 14	1							
8	1	26106-080142	BOLT, M8X 14 PLATED	2							
9	1	119803-25050	SHAFT, IDLE	1							
10	1	119802-25101	GEAR ASSY, IDLE	1							
13	1	119802-25071	BUSH, IDLE GEAR	1							1
14	1	26106-080402	BOLT, M8X 40 PLATED	3							
15	1	129150-25301	BOLT	4							
16	1	119802-25901	GEAR, PUMP	1							
17	1	129430-26070	COVER	1							
18	1	24321-000800	O-RING, 1AG80.0	1							
19	1	26106-080252	BOLT, M8X 25 PLATED	1							
20	1	26106-100302	BOLT, M10X 30 PLATED	2							

Remarks
(1) REPAIR PART.

Fig.8. CRANKSHAFT & PISTON



(A)=4TNV88-ZDYLX
(B)=
(C)=

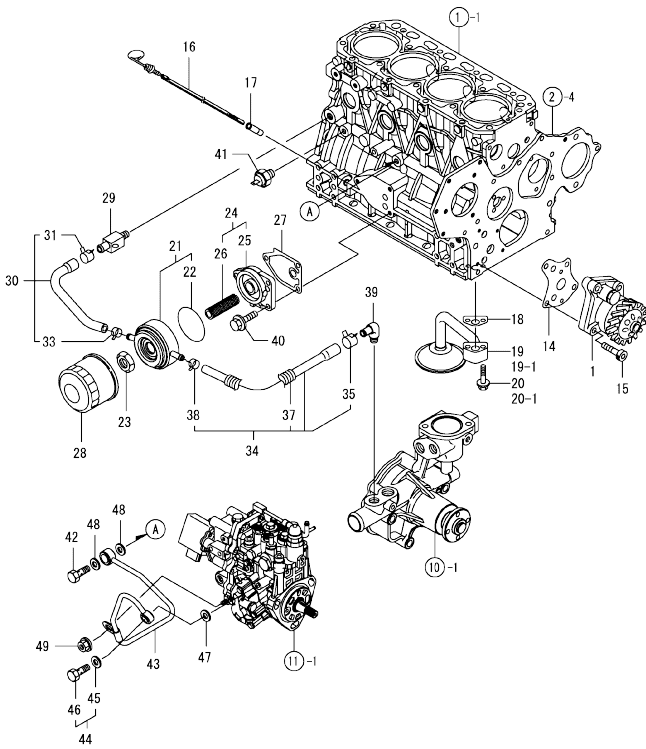
(D)=
(E)=
(F)=

No.	Lev.	Parts No.	Description	Q'ty						I	R
				(A)	(B)	(C)	(D)	(E)	(F)		
1	1	129604-21000	CRANKSHAFT ASSY	1							
2	2	129100-01580	PIN, M8X16	1							
4	2	119803-21200	GEAR, CRANKSHAFT	1							
5	2	22512-070140	KEY, 7X 14	1							
7	1	22351-030010	PIN, SPRING 3.0X10	1							
8	1	119802-21650	V-PULLEY, 110	1							
9	1	129795-21661	WASHER	1							
10	1	121850-21680	BOLT	1							
11	1	121111-21501	BOLT, FLYWHEEL	6							
12	1	171420-21580	FLYWHEEL ASSY	1							
14	2	119865-21600	GEAR, RING	1							
15	1	129005-22080	PISTON ASSY	4							
17	2	129005-22500	RING SET, PISTON	4							
21	1	129202-22300	PIN, PISTON D26 L70	4							
22	1	22252-000260	RING, 26	8							
23	1	729402-23100	ROD ASSY, CONNECTING	4							
27	2	121550-23200	BOLT, CONNECTING ROD	8							
28	2	129150-23601	BEARING, CRANK PIN	4							
30	1	129100-23910	BEARING, PISTON PIN	4							1
31	1	129150-23611	BEARING, 0.25 US	4							2
33	1	129005-22900	PISTON ASSY, 0.25 OS	4							3
35	2	129005-22950	RING SET, 0.25 OS	4							3

Remarks
(1) REPAIR PART.
(2) UNDER-SIZED(U.S=0.25)PART.
(3) OVER-SIZED(O.S=0.25)PART.

0CW10-M51900 4TNV88-ZDYLX
 Fig.9. LUB.OIL SYSTEM

0CW10-M51900 Fig.9



(A)=4TNV88-ZDYLX
 (B)=
 (C)=

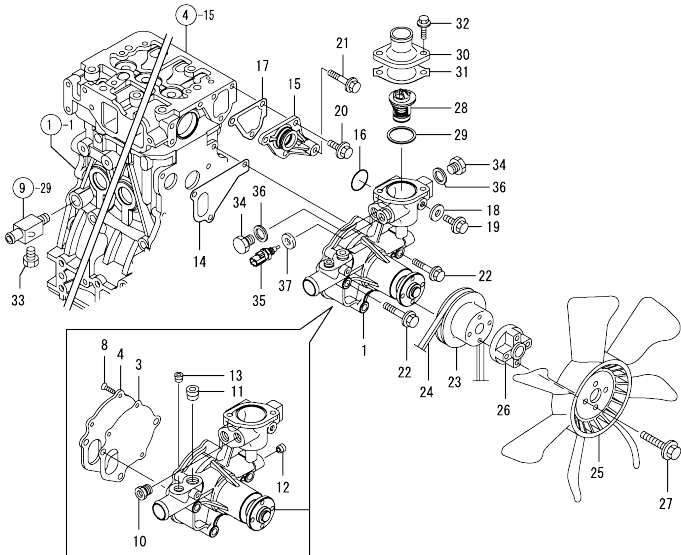
(D)=
 (E)=
 (F)=

No.	Lev.	Parts No.	Description	Q'ty						I	R
				(A)	(B)	(C)	(D)	(E)	(F)		
1	1	129407-32000	PUMP ASSY, OIL	1							
14	1	129150-32020	GASKET, PUMP	1							
15	1	26450-060252	BOLT, M6X 25	4							
16	1	129004-34802	DIPSTICK, OIL	1							
17	1	121520-34810	GUIDE, DIPSTICK	1							
18	1	129150-35042	GASKET	1							
19	1	129436-35091	PIPE ASSY, OIL INLET	1							
19-1	1	129436-35070	PIPE ASSY, LUB. OIL	1							S
(A=EZZZZZ)											
20	1	26106-080352	BOLT, M8X 35 PLATED	2							
20-1	1	26106-080552	BOLT, M8X 55 PLATED	2							S
(A=EZZZZZ)											
21	1	129508-33010	COOLER ASSY, OIL	1							
22	2	129508-33050	O-RING	1							
23	1	129417-33110	NUT	1							
24	1	129006-35100	BRACKET ASSY, FILTER	1							
25	2	119802-35110	BRACKET, FILTER	1							
26	2	129417-35150	STUD, L=67	1							
27	1	129150-35111	GASKET	1							
28	1	129150-35170	FILTER,LO	1							1
29	1	129006-44480	JOINT	1							
30	1	129508-49030	PIPE ASSY, WATER	1							
31	2	171008-03990	CLIP, HOSE 18.5	1							
33	2	23080-015000	CLAMP, 15	1							
34	1	129508-49040	PIPE ASSY, WATER	1							
35	2	171008-03990	CLIP, HOSE 18.5	1							
37	2	119940-59130	TUBE, CORRUGATED	1							
38	2	23080-015000	CLAMP, 15	1							
39	1	129103-49301	ELBOW, PT1/4	1							
40	1	26106-080202	BOLT, M8X 20 PLATED	3							
41	1	119761-39450	SWITCH, 0.5KG	1							
42	1	124160-39140	BOLT, PIPE JOINT M10	1							
43	1	119802-39450	PIPE ASSY, OIL	1							
44	1	129005-59830	BOLT ASSY, JOINT M8	1							
45	2	22190-080002	WASHER, SEAL 6	1							
46	2	23857-030000	BOLT, JOINT 3	1							
47	1	22190-080002	WASHER, SEAL 6	1							
48	1	22190-100002	WASHER, SEAL 10	2							
49	1	26366-060002	NUT, M6	1							

Remarks
 (1) REPAIR PART.

N:Old $\frac{100}{100}$ New, Q:Old $\frac{100}{100}$ New, R:Old $\frac{100}{100}$ New, S:Old $\frac{100}{100}$ New, W:Add, Z:Discontinued, F:Interchangeable by set, K:Q'ty Change
 Copyright (C) YANMAR GLOBAL CS CO., LTD. All Rights Reserved.

Fig.10. COOLING WATER SYSTEM



(A)=4TNV88-ZDYLX
(B)=
(C)=

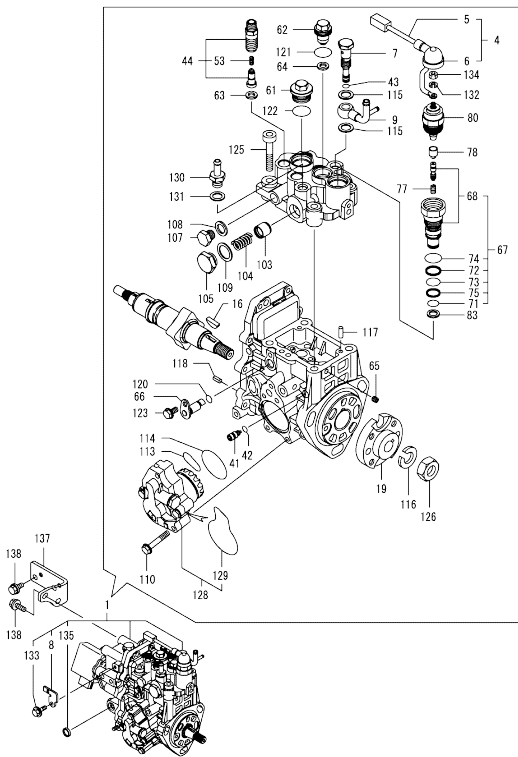
(D)=
(E)=
(F)=

No.	Lev.	Parts No.	Description	Q'ty						I	R
				(A)	(B)	(C)	(D)	(E)	(F)		
1	1	129632-42000	PUMP ASSY, WATER	1							
3	2	129100-42051	GASKET, WATER PUMP	1							
4	2	129100-42121	PLATE	1							
8	2	121850-42410	SCREW	3							
10	2	129263-49350	JOINT	1							
11	2	129916-49740	PLUG, R03	1							
12	2	23876-010000	PLUG, R01	1							
13	2	23876-020000	PLUG, R02	1							
14	1	129486-42021	GASKET, WATER PUMP	1							
15	1	129004-42040	JOINT	1							
16	1	129486-42140	O-RING, G30	1							
17	1	124395-49840	GASKET	1							
18	1	23414-080000	GASKET, 8X1.0	1							
19	1	26106-080122	BOLT, M8X 12 PLATED	1							
20	1	26106-080162	BOLT, M8X 16 PLATED	3							
21	1	26106-080452	BOLT, M8X 45 PLATED	1							
22	1	26106-080602	BOLT, M8X 60 PLATED	3							
23	1	129403-42380	V-PULLEY, D=110	1							
24	1	129612-42370	V-BELT, A39.5	1							
25	1	129655-44740	FAN, COOLING D380	1							
26	1	171353-44760	SPACER, FAN	1							
27	1	26106-060402	BOLT, M6X 40 PLATED	4							
28	1	129155-49801	THERMOSTAT, 71	1							
29	1	129150-49811	GASKET, THERMOSTAT	1							
30	1	129350-49530	COVER, THERMOSTAT	1							
31	1	129795-49551	GASKET	1							
32	1	26106-080222	BOLT, M8X 22 PLATED	2							
33	1	171056-49120	PLUG, DRAIN	1							
34	1	121450-42450	PLUG, M16	2							
35	1	129927-44900	SENSOR	1							
36	1	124465-44950	GASKET, 16	2							
37	1	22190-120002	WASHER, SEAL 12	1							

Fig.11. FUEL INJECTION PUMP

(A)=4TNV88-ZDYLX
(B)=
(C)=

(D)=
(E)=
(F)=



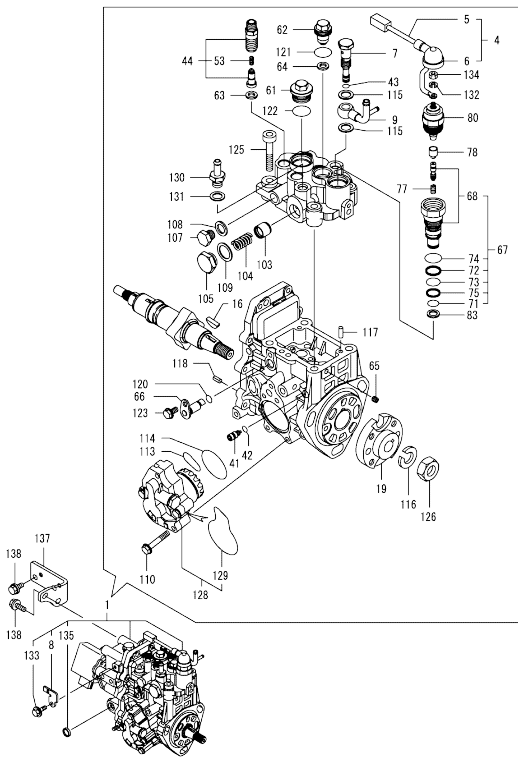
Remarks

(1) GOVERNOR ASSY (FIG.12) IS INCORPORATED IN THIS FUEL INJECTION PUMP (REF.NO.1).
(1) ECO PUMP.
MAKE SURE TO UPDATE THE ENGINES ECU INFORMATION WHEN REPLACING THE ECO PUMP.
FAILING TO DO SO WILL RESULT IN ENGINE MALFUNCTION.

No.	Lev.	Parts No.	Description	(A)	(B)	(C)	(D)	(E)	(F)	Q'ty	I	R
1	1	729688-51340	PUMP ASSY, INJECTION	1								1
4	2	129927-51650	HARNASS ASSY, WIRE	1								
5	3	129927-51660	HARNASS	1								
6	3	129263-77941	CAP, RUBBER	1								
7	2	158601-51650	JOINT, OVER FLOW	1								
8	2	129927-51670	BRACKET	1								
9	2	158552-51670	JOINT, OVER FLOW	1								
16	2	119802-51090	FEATHER KEY, 4X16	1								
19	2	158552-51151	FLANGE	1								
41	2	158600-51270	STOPPER, TAPPET	1								
42	2	158563-51281	O-RING, 4D S6	1								
43	2	158563-51281	O-RING, 4D S6	1								
44	2	129008-51390	VALVE ASSY, DELIVERY	4								
53	3	158563-51330	SPRING, DELIVERY	4								
61	2	158601-51550	PLUG, M22	1								
62	2	119802-51560	PLUG, M14	1								
63	2	158552-51571	GASKET, PLUG	4								
64	2	158552-51571	GASKET, PLUG	1								
65	2	158557-51570	PLUG, RACK	1								
66	2	158552-51580	LIFTER, LINK	1								
67	2	129657-51590	TIMER ASSY	1								
68	3	129657-51600	TIMER ASSY	1								
71	3	158553-51670	O-RING	1								
72	3	119802-51680	RING, BACKUP	1								
73	3	119802-51690	O-RING	1								
74	3	24356-010200	O-RING, 4D1020	1								
75	3	24372-000150	RING, BACK UP T2P15	1								
77	2	119852-51630	SPRING, TIMER	1								
78	2	119852-51640	CAP, TIMER	1								
80	2	119852-51650	VALVE ASSY, SOLENOID	1								
83	2	158553-51680	GASKET, TIMER	1								
103	2	158601-51770	PISTON, ACCUMULATOR	1								
104	2	158552-51781	SPRING, ACCUMULATOR	1								
105	2	158601-51790	PLUG	1								
107	2	158553-51930	PLUG, M12	1								
108	2	22190-120002	WASHER, SEAL 12	1								
109	2	22190-180002	WASHER, SEAL 18	1								
110	2	158553-51770	BOLT	4								
113	2	158552-52310	O-RING	1								
114	2	158552-52400	O-RING, 4E S42	1								
115	2	22190-120002	WASHER, SEAL 12	2								
116	2	22217-140000	WASHER, SPRING 14	1								
117	2	22312-050140	PIN, PARALLEL M5X14	2								
118	2	22351-050010	PIN, SPRING 5.0X10	2								
120	2	24311-000070	O-RING, 1AP7.0	1								
121	2	24356-010180	O-RING, 4D1018	1								
122	2	24356-010200	O-RING, 4D1020	1								
123	2	26106-060102	BOLT, M6X 10 PLATED	1								
125	2	26450-080452	BOLT, M8X 45	4								
126	2	26776-140002	NUT, LOCK M14	1								
128	2	158552-52100	PUMP ASSY, FUEL FEED	1								

N:Old $\frac{New}{Old}$ New, Q:Old $\frac{New}{Old}$ New, R:Old $\frac{New}{Old}$ New, S:Old $\frac{New}{Old}$ New, W:Add, Z:Discontinued, F:Interchangeable by set, K:Q'ty Change
 ++ CONTINUE ++
 Copyright (C) YANMAR GLOBAL CS CO., LTD. All Rights Reserved.

Fig.11. FUEL INJECTION PUMP



(A)=4TNV88-ZDYLX
(B)=
(C)=

(D)=
(E)=
(F)=

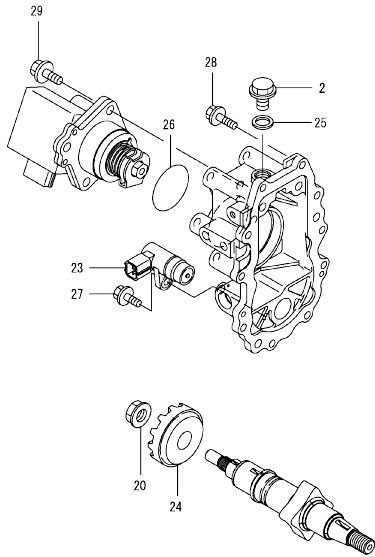
No.	Lev.	Parts No.	Description	Q'ty						I	R
				(A)	(B)	(C)	(D)	(E)	(F)		
129	3	158552-52500	O-RING	1							
130	2	119934-59910	JOINT, PIPE	1							
131	2	22190-120002	WASHER, SEAL 12	1							
132	2	22217-050000	WASHER, SPRING 5	1							
133	2	26106-060142	BOLT, M6X 14 PLATED	1							
134	2	26716-050002	NUT, M5	1							
135	2	27241-160000	PLUG, 16	1							
137	1	129263-51251	RETAINER, PUMP	1							
138	1	26106-080162	BOLT, M8X 16 PLATED	4							

Remarks

(1) GOVERNOR ASSY (FIG.12) IS INCORPORATED IN THIS FUEL INJECTION PUMP. (REF.NO.1).
(1) ECO PUMP.
MAKE SURE TO UPDATE THE ENGINES ECU INFORMATION WHEN REPLACING THE ECO PUMP.
FAILING TO DO SO WILL RESULT IN ENGINE MALFUNCTION.

0CW10-M51900 4TNV88-ZDYLX
 Fig.12. GOVERNOR

0CW10-M51900 Fig.12



(A)=4TNV88-ZDYLX
 (B)=
 (C)=

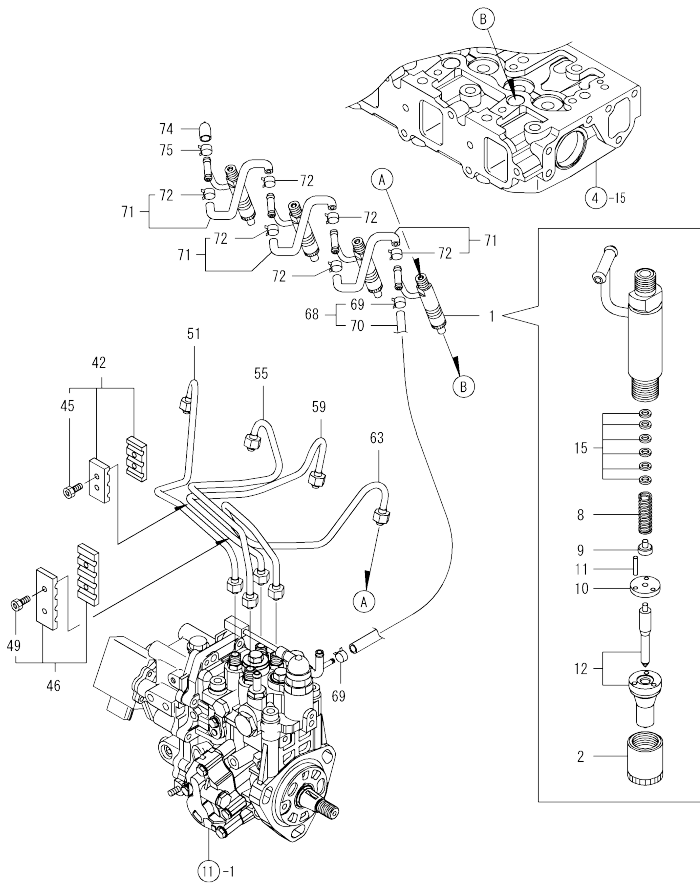
(D)=
 (E)=
 (F)=

No.	Lev.	Parts No.	Description	Q'ty						I	R
				(A)	(B)	(C)	(D)	(E)	(F)		
2	2	158553-51930	PLUG, M12	1							
20	2	129008-61301	NUT	1							
23	2	158557-61720	SENSOR	1							
24	2	158553-61780	GEAR, SENSOR	1							
25	2	22190-120002	WASHER, SEAL 12	1							
26	2	24341-000480	O-RING, 1AS48.0	1							
27	2	26106-060162	BOLT, M6X 16 PLATED	1							
28	2	26106-060202	BOLT, M6X 20 PLATED	10							
29	2	26106-080252	BOLT, M8X 25 PLATED	3							

Remarks
 * THIS FIGURE(GOVERNOR ASSY)IS
 INCORPORATED IN THE FUEL INJECTION
 PUMP ASSY(FIG.11).

N:Old $\frac{100}{100}$ New, Q:Old $\frac{100}{100}$ New, R:Old $\frac{100}{100}$ New, S:Old $\frac{100}{100}$ New, W:Add, Z:Discontinued, F:Interchangeable by set, K:Q'ty Change
 Copyright (C) YANMAR GLOBAL CS CO., LTD. All Rights Reserved.

Fig.13. FUEL INJECTION VALVE

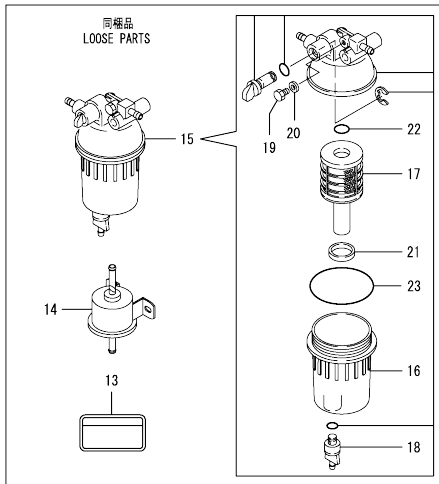
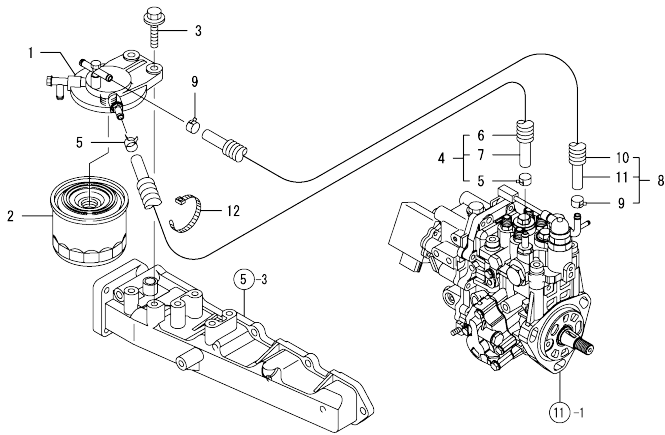


(A)=4TNV88-ZDYLX
(B)=
(C)=

(D)=
(E)=
(F)=

No.	Lev.	Parts No.	Description	Q'ty						I	R
				(A)	(B)	(C)	(D)	(E)	(F)		
1	1	729604-53400	VALVE ASSY,INJECTION	4							
2	2	114250-53080	NUT, NOZZLE D16.95	4							
8	2	114250-53120	SPRING, NOZZLE	4							
9	2	114250-53130	SEAT, SPRING	4							
10	2	114250-53140	PLATE	4							
11	2	114250-53210	PIN	8							
12	2	129604-53300	VALVE ASSY,INJECTION	4							
15	2	119803-53400	SHIM SET	4							
42	1	129150-59120	RETAINER, PIPE	1							
45	2	129150-59131	BOLT, M4X14	2							
46	1	129550-59120	RETAINER, PIPE	1							
49	2	129150-59131	BOLT, M4X14	2							
51	1	129601-59810	PIPE ASSY, INJECTION	1							
55	1	129601-59820	PIPE ASSY, INJECTION	1							
59	1	129601-59830	PIPE ASSY, INJECTION	1							
63	1	129601-59840	PIPE ASSY, INJECTION	1							
68	1	119802-59550	PIPE ASSY, RETURN	1							
69	2	124722-59050	CLIP, HOSE 9	2							
70	2	119802-59560	PIPE, FUEL RETURN	1							
71	1	129486-59551	PIPE ASSY, RETURN	3							
72	2	124722-59050	CLIP, HOSE 9	6							
74	1	119593-59581	CAP	1							
75	1	124060-77680	CLIP, HOSE 10	1							

Fig.14. FUEL LINE

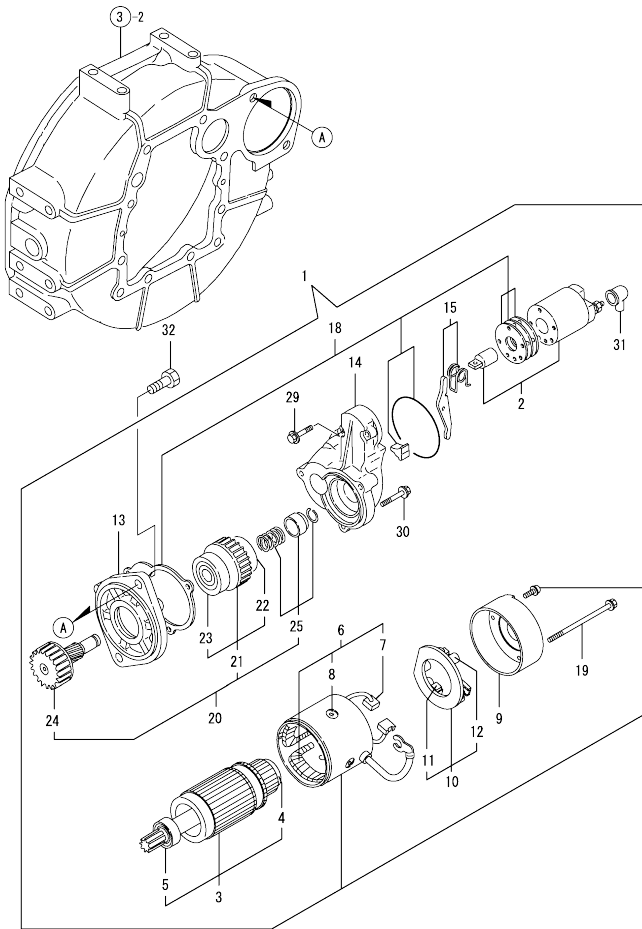


(A)=4TNV88-ZDYLX
(B)=
(C)=

(D)=
(E)=
(F)=

No.	Lev.	Parts No.	Description	Q'ty						I	R
				(A)	(B)	(C)	(D)	(E)	(F)		
1	1	129004-55612	BRACKET, FILTER	1							
2	1	119802-55810	FILTER,FO	1							
3	1	26106-080302	BOLT, M8X 30 PLATED	2							
4	1	129630-59010	PIPE ASSY, FUEL	1							
5	2	124766-59050	CLIP, HOSE 12	2							
6	2	129961-59110	TUBE, CORRUGATED	1							
7	2	105025-59560	PIPE, FUEL	1							
8	1	129956-59010	PIPE ASSY, FUEL	1							
9	2	124766-59050	CLIP, HOSE 12	2							
10	2	129957-59101	TUBE, CORRUGATED	1							
11	2	105225-59511	PIPE, FUEL	1							
12	1	121750-59890	BAND, 140	1							
13	1	114110-07760	LABEL, FUEL OIL	1							
14	1	119225-52102	PUMP ASSY, FUEL FEED	1							
15	1	129242-55700	SEPARATOR ASSY	1							
16	2	129242-55720	CUP	1							
17	2	129242-55730	ELEMENT	1							
18	2	129242-55740	PLUG, DRAIN	1							
19	2	129242-55750	VALVE, AIR VENT	1							
20	2	129242-55760	GASKET	1							
21	2	129242-55770	FLOAT	1							
22	2	24311-000160	O-RING, 1AP16.0	1							
23	2	24321-000750	O-RING, 1AG75.0	1							

Fig.15. STARTING MOTOR

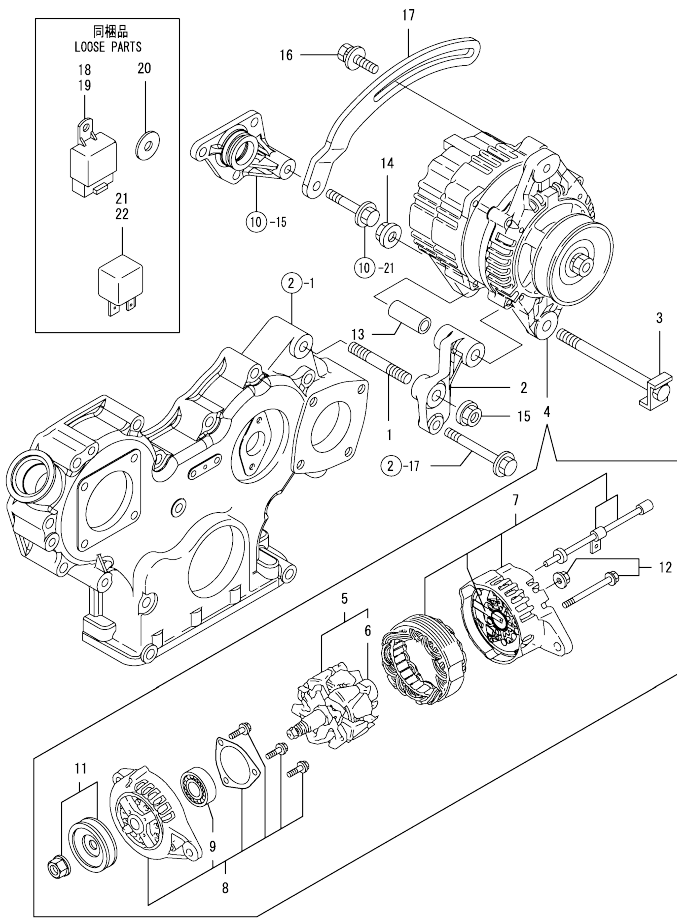


(A)=4TNV88-ZDYLX
(B)=
(C)=

(D)=
(E)=
(F)=

No.	Lev.	Parts No.	Description	Q'ty						I	R
				(A)	(B)	(C)	(D)	(E)	(F)		
1	1	129136-77011	STARTER	1							
2	2	129136-77310	SWITCH ASSY	1							
3	2	129900-77400	ARMATURE ASSY	1							
4	3	X2130350900	BALL BEARING	1							
5	3	X2114255110	BEARING, BALL	1							
6	2	129900-77440	COIL ASSY, FIELD	1							
7	3	129900-77450	BRUSH (+)	2							
8	3	171008-77450	SCREW	4							
9	2	129900-77460	COVER, REAR	1							
10	2	129900-77480	HOLDER ASSY, BRASH	1							
11	3	129900-77450	BRUSH (+)	2							
12	3	129400-77490	SPRING, BRUSH	4							
13	2	171008-77510	HOUSING ASSY, GEAR	1							
14	2	129136-77520	CENTER HOUSING	1							
15	2	171008-77540	LEVER SET, SHIFT	1							
18	2	129400-77571	DUST COVER, (NON-ASB.	1							
19	2	129900-77640	BOLT, THROUGHT	2							
20	2	171008-77650	PINION ASSY	1							
21	3	X2114555500	CLUTCH ASSY	1							
22	4	X2114955020	BALL BEARING	1							
23	4	X2240410100	BEARING, BALL	1							
24	3	171008-77660	SHAFT, PINION	1							
25	3	171008-77670	STOPPER SET, PINION	1							
29	2	26106-060322	BOLT, M6X 32 PLATED	2							
30	2	26106-060402	BOLT, M6X 40 PLATED	3							
31	2	171008-77750	COVER, M TERMINAL	1							
32	1	26116-120252	BOLT, M12X 25 PLATED	2							

Fig.16. GENERATOR



(A)=4TNV88-ZDYLX
(B)=
(C)=

(D)=
(E)=
(F)=

No.	Lev.	Parts No.	Description	Q'ty						I	R
				(A)	(B)	(C)	(D)	(E)	(F)		
1	1	129795-01900	STUD	1							
2	1	129688-77250	BRACKET, GENERATOR	1							
3	1	129002-77281	BOLT, M10	1							
4	1	129612-77290	ALTERNATOR, 12V-80A	1							
5	2	123910-77740	ROTOR ASSY	1							
6	3	129900-77810	BALL BEARING	1							
7	2	129612-77820	BRACKET ASSY	1							
8	2	129900-77890	BRACKET, FRONT	1							
9	3	129900-77900	BALL BEARING	1							
11	2	129900-77910	PULLEY	1							
12	2	129900-77920	SCREW KIT	1							
13	1	129002-77340	PIECE, DISTANCE	1							
14	1	26306-100002	NUT, M10	1							
15	1	26306-100002	NUT, M10	1							
16	1	119810-77340	BOLT, ADJUSTER	1							
17	1	129688-77340	ADJUSTER	1							
18	1	198461-52950	RELAY, CA TYPE C	1							
19	1	198461-52950	RELAY, CA TYPE C	1							
20	1	129927-77690	WASHER	3							
21	1	129927-77920	RELAY	1							
22	1	129927-77920	RELAY	1							

0CW10-M51900 4TNV88-ZDYLX

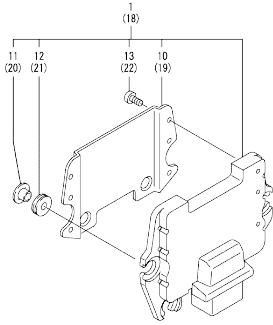
Fig.17. ELECTRONIC CONTROL UNIT (ECU)

0CW10-M51900 Fig.17

(A)=4TNV88-ZDYLX
(B)=
(C)=

(D)=
(E)=
(F)=

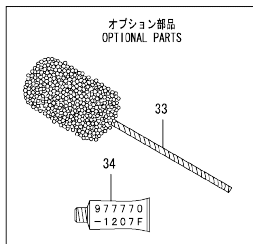
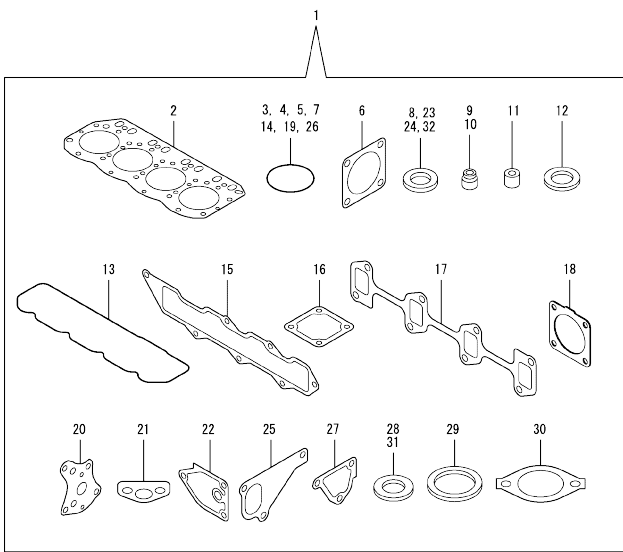
No.	Lev.	Parts No.	Description	Q'ty						I	R
				(A)	(B)	(C)	(D)	(E)	(F)		
1	1	129688-75000	CONTROLLER ASSY, EUC	1							1
10	2	129927-77600	SHIELD	1							
11	2	129927-77680	COLLAR	3							
12	2	119578-91351	ABSORBER	3							
13	2	22877-500080	SCREW, 5X 8	6							
18	1	129927-75900	CONTROLLER ASSY, EUC	1							2
19	2	129927-77600	SHIELD	1							
20	2	129927-77680	COLLAR	3							
21	2	119578-91351	ABSORBER	3							
22	2	22877-500080	SCREW, 5X 8	6							



Remarks

(1)ECO ECU
THIS PART CANNOT BE ORDERED.
REPLACE THE PART USING A SERVICE
ECU WITH THE PROPER ENGINE
INFORMATION INSTALLED.
(2)SERVICE ECU
IF THE PROPER INFORMATION IS NOT
INSTALLED, THE ENGINE WILL NOT
OPERATE.
TO INSTALL PROPER INFORMATION,
GO TO AN AUTHORIZED DISTRIBUTOR.

Fig.18. GASKET SET



(A)=4TNV88-ZDYLX
(B)=
(C)=

(D)=
(E)=
(F)=

No.	Lev.	Parts No.	Description	Qty						I	R	
				(A)	(B)	(C)	(D)	(E)	(F)			
1	1	729602-92940	GASKET SET	1							1	
2	2	129407-01340	GASKET, HEAD	1								
3	2	119609-32040	O-RING, P16	2								
4	2	121850-51960	O-RING	1								
5	2	24311-000320	O-RING, 1AP32.0	2								
6	2	124240-01883	GASKET	1								
7	2	24341-000240	O-RING, 1AS24.0	1								
8	2	22190-220002	WASHER, SEAL 22	1								
9	2	121400-11340	SEAL, VALVE STEM	4								
10	2	124460-11340	SEAL, VALVE STEM	4								
11	2	119802-11870	PROTECTOR, NOZZLE	4								
12	2	119625-11880	SEAT, NOZZLE	4								
13	2	129601-11310	GASKET, BONNET	1								
14	2	24311-000120	O-RING, 1AP12.0	3								
15	2	129407-12110	GASKET, MANIFOLD	1								
16	2	129150-77511	GASKET	1								
17	2	129550-13110	GASKET	1								
18	2	129930-13201	GASKET, SILENCER	1								
19	2	24321-000800	O-RING, 1AG80.0	1								
20	2	129150-32020	GASKET, PUMP	1								
21	2	129150-35042	GASKET	1								
22	2	129150-35111	GASKET	1								
23	2	22190-080002	WASHER, SEAL 6	2								
24	2	22190-100002	WASHER, SEAL 10	2								
25	2	129486-42021	GASKET, WATER PUMP	1								
26	2	129486-42140	O-RING, G30	1								
27	2	124395-49840	GASKET	1								
28	2	23414-080000	GASKET, 8X1.0	1								
29	2	129150-49811	GASKET, THERMOSTAT	1								
30	2	129795-49551	GASKET	1								
31	2	124465-44950	GASKET, 16	2								
32	2	22190-120002	WASHER, SEAL 12	1								
33	1	129400-92430	HONE	1								1
34	1	977770-1207F	GASKET, LIQUID	1								1

Remarks
(1) OPTIONAL PART.

Parts No. Index

Parts No.	Fig. No.	Ref. No.
129550-59120	13	46
129601-03080	5	1
129601-11241	4	3
129601-11251	4	4
129601-11310	4	49
	18	13
129601-11350	4	41
129601-12100	5	3
129601-13109	6	1
129601-59810	13	51
129601-59820	13	55
129601-59830	13	59
129601-59840	13	63
129604-01520	2	4
129604-11710	4	15
129604-21000	8	1
129604-53300	13	12
129604-77821	4	56
129612-01600	3	2
129612-42370	10	24
129612-77290	16	4
129612-77820	16	7
129630-59010	14	4
129632-42000	10	1
129655-44740	10	25
129657-51590	11	67
129657-51600	11	68
129688-01780	3	7 -1
129688-75000	17	1
129688-77250	16	2
129688-77340	16	17
129795-01780	3	18
129795-01900	16	1
129795-01950	2	8
129795-02412	1	12
129795-11120	4	24
129795-11180	4	25
129795-21661	8	9
129795-49551	10	31
	18	30
129900-07900	4	1
129900-77400	15	3
129900-77440	15	6
129900-77450	15	7
	11	
129900-77460	15	9
129900-77480	15	10
129900-77640	15	19
129900-77810	16	6
129900-77890	16	8

Parts No.	Fig. No.	Ref. No.
129900-77900	16	9
129900-77910	16	11
129900-77920	16	12
129916-49740	10	11
129927-44900	10	35
129927-51650	11	4
129927-51660	11	5
129927-51670	11	8
129927-75900	17	18
129927-77600	17	10
	19	
129927-77680	17	11
	20	
129927-77690	16	20
129927-77920	16	21
	22	
129930-13201	6	7
	18	18
129956-59010	14	8
129957-59101	14	10
129961-59110	14	6
158552-51151	11	19
158552-51571	11	63
	64	
158552-51580	11	66
158552-51670	11	9
158552-51781	11	104
158552-52100	11	128
158552-52310	11	113
158552-52400	11	114
158552-52500	11	129
158553-51670	11	71
158553-51680	11	83
158553-51770	11	110
158553-51930	11	107
	12	2
158553-61780	12	24
158557-51570	11	65
158557-61720	12	23
158563-51281	11	42
	43	
158563-51330	11	53
158600-51270	11	41
158601-51550	11	61
158601-51650	11	7
158601-51770	11	103
158601-51790	11	105
171008-03990	9	31
	35	
171008-77450	15	8

Parts No.	Fig. No.	Ref. No.
171008-77510	15	13
171008-77540	15	15
171008-77650	15	20
171008-77660	15	24
171008-77670	15	25
171008-77750	15	31
171051-01921	1	8
171056-49120	10	33
171353-44760	10	26
171420-21580	8	12
198461-52950	16	18
	19	
22190-080002	2	11
	9	45
	47	
	18	23
22190-100002	9	48
	18	24
22190-120002	10	37
	11	108
	115	
	131	
	12	25
	18	32
22190-180002	11	109
22190-220002	3	10
	18	8
22217-050000	11	132
22217-140000	11	116
22252-000260	8	22
22312-050140	11	117
22351-030010	8	7
22351-050010	11	118
22351-060012	4	36
22512-070140	7	7
	8	5
22857-500100	4	50
	51	
22877-500080	17	13
	22	
23080-015000	9	33
	38	
23414-080000	10	18
	18	28
23857-030000	9	46
23876-010000	10	12
23876-020000	10	13
24311-000070	11	120
24311-000120	4	53
	18	14

Parts No.	Fig. No.	Ref. No.
24311-000160	14	22
24311-000320	2	12
	4	54
	18	5
24321-000750	14	23
24321-000800	7	18
	18	19
24341-000240	2	24
	18	7
24341-000480	12	26
24356-010180	11	121
24356-010200	11	74
	122	
24372-000150	11	75
26106-060102	11	123
26106-060142	11	133
26106-060162	2	25
	12	27
26106-060202	12	28
26106-060322	15	29
26106-060402	10	27
	15	30
26106-080122	10	19
26106-080142	7	8
26106-080162	2	13
	14	
	22	
	3	11
	4	2
	10	20
	11	138
26106-080202	5	5
	9	9
	9	40
26106-080222	10	32
26106-080252	3	12
	4	37
	7	19
	12	29
26106-080302	2	15
	14	3
26106-080352	3	20
	4	38
	9	20
26106-080402	7	14
26106-080452	3	13
	10	21
26106-080502	3	14
	4	39
26106-080552	2	16

Parts No. Index

Parts No.	Fig. No.	Ref. No.
26106-080552	9	20 -1
26106-080602	10	22
26106-080702	2	17
26106-080802	5	6
26106-080852	2	18
26106-100302	7	20
26116-120252	15	32
26206-100252	3	4
26206-100302	3	5
26226-080182	4	13
26306-080002	2	19
	6	6
26306-100002	16	14
		15
26366-060002	9	49
26450-060252	9	15
26450-080452	11	125
26716-050002	11	134
26776-140002	11	126
27241-120000	1	13
27241-160000	11	135
27241-300000	1	14
27241-400000	4	21
27310-080001	4	28
729402-14580	7	3
729402-23100	8	23
729602-01560	1	1
729602-92940	18	1
729604-53400	13	1
729652-01500	2	1
729688-51340	11	1
977770-1207F	18	34
X2114255110	15	5
X2114555500	15	21
X2114955020	15	22
X2130350900	15	4
X2240410100	15	23

Parts No.	Fig. No.	Ref. No.
-----------	----------	----------

Parts No.	Fig. No.	Ref. No.
-----------	----------	----------

Parts No.	Fig. No.	Ref. No.
-----------	----------	----------