

0CD50-M06410EN

P R E F A C E

This parts catalog is the 1st edition of 4TNV88-ZPHBBC for Hitachi Construction Machinery Co.,Ltd.

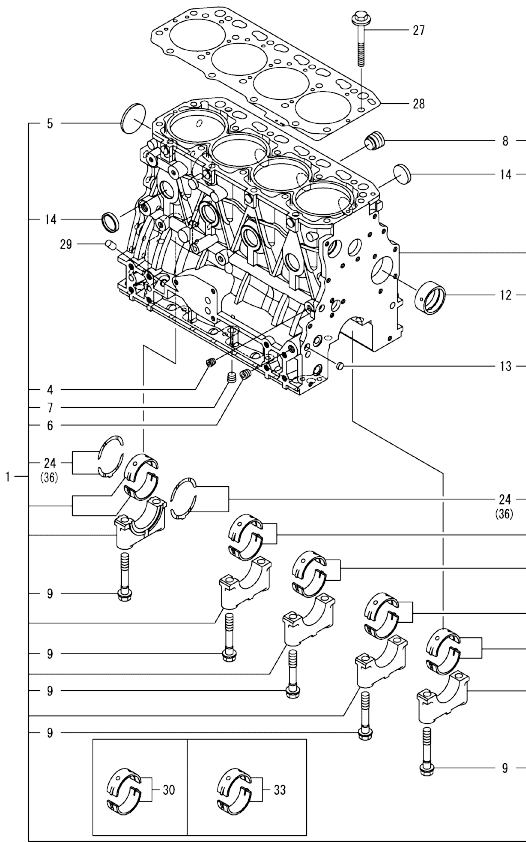
Published : September, 2020

Contents

OCD50-M06410

Fig. No.	Fig. Name	Fig. No.	Fig. Name
ENGINE			
1.	CYLINDER BLOCK		
2.	GEAR HOUSING		
3.	FLYWHEEL HOUSING & OIL SUMP		
4.	CYLINDER HEAD & BONNET		
5.	SUCTION MANIFOLD		
6.	EXHAUST MANIFOLD		
7.	CAMSHAFT & DRIVING GEAR		
8.	CRANKSHAFT & PISTON		
9.	LUB. OIL SYSTEM		
10.	COOLING WATER SYSTEM		
11.	FUEL INJECTION PUMP		
12.	GOVERNOR		
13.	FUEL INJECTION VALVE		
14.	STARTER MOTOR		
15.	GENERATOR		
16.	ELECTRONIC CONTROL UNIT(ECU)		
17.	ACCESSORY		
18.	GASKET SET		

Fig.1. CYLINDER BLOCK



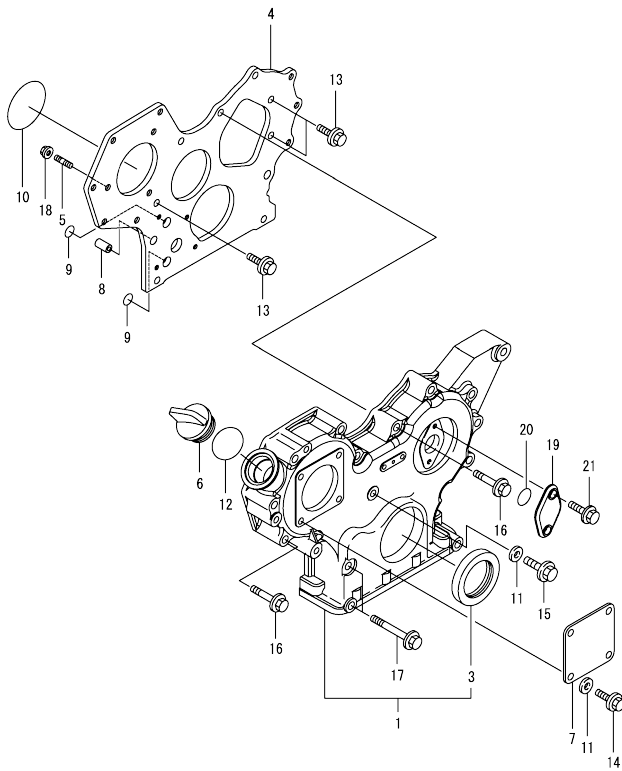
(A)=4TNV88-ZPHBBC
(B)=
(C)=

(D)=
(E)=
(F)=

No.	Lev.	Parts No.	Description	Q'ty						I	R
				(A)	(B)	(C)	(D)	(E)	(F)		
1	1	729602-01560	BLOCK ASSY, CYLINDER	1							
4	2	124060-01050	PLUG, PT1/8	1							
5	2	129001-01250	PLUG, 50	1							
6	2	124160-01910	PLUG, PT1/4	2							
7	2	124160-01910	PLUG, PT1/4	1							
8	2	171051-01921	PLUG, NPTF1	1							
9	2	129150-02020	BOLT, METAL CAP	10							
12	2	129795-02412	BUSH, CAMSHAFT	1							
13	2	27241-120000	PLUG, 12	2							
14	2	27241-300000	PLUG(30)	8							
24	2	129150-02931	METAL ASSY, THRUST	2							
27	1	129150-01200	BOLT, CYLINDER HEAD	18							
28	1	129407-01340	GASKET, HEAD	1							
29	1	119309-01810	PLUG	1							
30	1	129001-02931	METAL ASSY, MAIN	5							1
33	1	129150-02871	METAL ASSY, MAIN 25	5							2
36	1	129150-02941	METAL ASSY, 0.25 OS	1							3

Remarks
 (1) Spare parts.
 (2) Under-sized (U.S.=0.25) parts.
 (3) Over-sized (O.S.=0.25) parts.

Fig.2. GEAR HOUSING

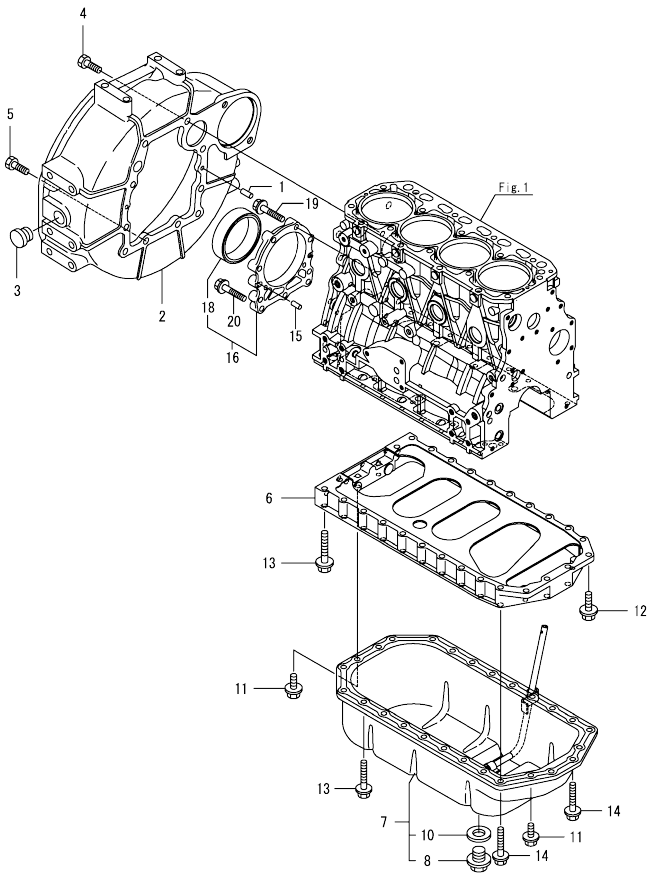


(A)=4TNV88-ZPHBBC
(B)=
(C)=

(D)=
(E)=
(F)=

No.	Lev.	Parts No.	Description	Q'ty						I	R
				(A)	(B)	(C)	(D)	(E)	(F)		
1	1	729630-01500	CASE ASSY, GEAR	1							
3	2	119934-01800	SEAL, OIL	1							
4	1	119803-01520	FLANGE, GEAR CASE	1							
5	1	119802-01561	STUD, M8X25	3							
6	1	124160-01751	CAP, FILLER	1							
7	1	124240-01871	COVER, HYDRAULIC PUMP	1							
8	1	129795-01950	PIPE, KNOCK L=18	2							
9	1	119609-32040	O-RING, P16	2							
10	1	121850-51960	O-RING, FUEL PUMP	1							
11	1	22190-080002	WASHER, SEAL 8	5							
12	1	24311-000320	O-RING, 1AP32.0	1							
13	1	26106-080162	BOLT, M8X 16 PLATED	3							
14	1	26106-080162	BOLT, M8X 16 PLATED	4							
15	1	26106-080302	BOLT, M8X 30 PLATED	1							
16	1	26106-080552	BOLT, M8X 55 PLATED	12							
17	1	26106-080852	BOLT, M8X 85 PLATED	3							
18	1	26306-080002	NUT, M8	3							
19	1	121023-01551	COVER, TACHOMETER	1							
20	1	24341-000240	O-RING, 1AS24.0	1							
21	1	26106-060162	BOLT, M6X 16 PLATED	2							

Fig.3. FLYWHEEL HOUSING & OIL SUMP

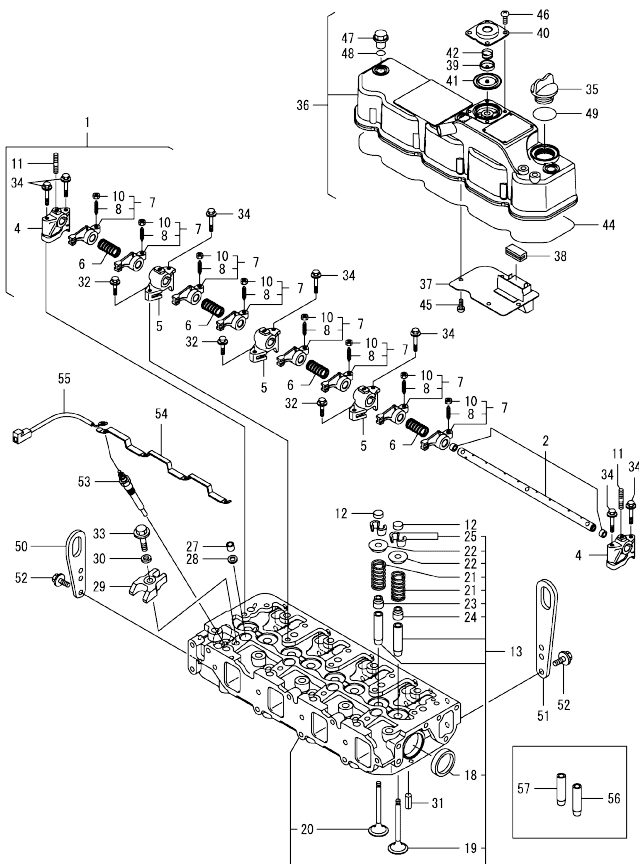


(A)=4TNV88-ZPHBBC
(B)=
(C)=

(D)=
(E)=
(F)=

No.	Lev.	Parts No.	Description	Q'ty						I	R
				(A)	(B)	(C)	(D)	(E)	(F)		
1	1	129100-01580	PIN, PARALLEL 8X16	2							
2	1	129612-01600	HOUSING, FLYWHEEL	1							
3	1	119620-01750	CAP, WHEEL COVER	1							
4	1	26206-100252	BOLT, M10X 25 PLATED	6							
5	1	26206-100302	BOLT, M10X 30 PLATED	4							
6	1	129400-01730	SPACER, OIL PAN	1							
7	1	129536-01770	OIL PAN ASSY	1							
8	2	119640-01640	PLUG, DRAIN M22	1							
10	2	22190-220002	WASHER, SEAL 22	1							
11	1	26106-080162	BOLT, M8X 16 PLATED	4							
12	1	26106-080252	BOLT, M8X 25 PLATED	2							
13	1	26106-080452	BOLT, M8X 45 PLATED	20							
14	1	26106-080502	BOLT, M8X 50 PLATED	4							
15	1	129100-01580	PIN, PARALLEL 8X16	2							
16	1	129648-01600	CASE ASSY, OIL SEAL	1							
18	2	129648-01780	SEAL, OIL	1							
19	1	129486-01670	BOLT, M8X30	6							
20	1	26106-080352	BOLT, M8X 35 PLATED	3							

Fig.4. CYLINDER HEAD & BONNET



(A)=4TNV88-ZPHBBC
(B)=
(C)=

(D)=
(E)=
(F)=

No.	Lev.	Parts No.	Description	Q'ty						I	R
				(A)	(B)	(C)	(D)	(E)	(F)		
1	1	129601-11241	SHAFT ASSY, ROCKER	1							
2	2	129601-11251	SHAFT, ROCKER ARM	1							
4	2	119802-11260	SUPPORT, ROCKER ARM	2							
5	2	119802-11270	SUPPORT, ROCKER ARM	3							
6	2	129150-11280	SPRING, SHAFT	4							
7	2	129004-11650	ARM ASSY, ROCKER	8							
8	3	129150-11230	SCREW, VALVE ADJUST	8							
10	3	129150-11750	NUT, M8XP1.0	8							
11	2	26226-080182	STUD, M8X 18	3							
12	1	129150-11370	CAP, VALVE	8							
13	1	129604-11700	HEAD ASSY, CYLINDER	1							
18	2	27241-400000	PLUG, 40	2							
19	2	129005-11100	VALVE, INTAKE	4							
20	2	129100-11112	VALVE, EXHAUST	4							
21	2	129795-11120	SPRING, VALVE	8							
22	2	129795-11180	RETAINER, SPRING	8							
23	2	121400-11340	SEAL, VALVE STEM	4							
24	2	124460-11340	SEAL, VALVE STEM	4							
25	2	27310-080001	COTTER, 8	8							
27	1	119802-11870	PROTECTOR, NOZZLE	4							
28	1	119625-11880	SEAT, NOZZLE	4							
29	1	129004-11900	RETAINER, NOZZLE	4							
30	1	120270-54410	WASHER, INJECTOR	4							
31	1	22351-060012	PIN, SPRING 6.0X12	2							
32	1	26106-080252	BOLT, M8X 25 PLATED	3							
33	1	26106-080352	BOLT, M8X 35 PLATED	4							
34	1	26106-080502	BOLT, M8X 50 PLATED	7							
35	1	124160-01751	CAP, FILLER	1							
36	1	129601-11350	BONNET ASSY, HEAD	1							
37	2	129004-03010	PLATE, BAFFLE	1							
38	2	129150-03070	BAFFLE, BREATHER	1							
39	2	119802-03110	PLATE, DIAPHRAGM	1							
40	2	119802-03121	COVER, DIAPHRAGM	1							
41	2	119802-03130	DIAPHRAGM, BREATHER	1							
42	2	119802-03141	SPRING, DIAPHRAGM	1							
44	2	129601-11310	GASKET, BONNET	1							
45	2	22857-500100	SCREW, 5X10	4							
46	2	22857-500100	SCREW, 5X10	4							
47	1	124160-11360	KNOB, BONNET	3							
48	1	24311-000120	O-RING, 1AP12.0	3							
49	1	24311-000320	O-RING, 1AP32.0	1							
50	1	119226-07900	LIFTER, ENGINE	1							
51	1	129900-07900	LIFTER, ENGINE	1							
52	1	26106-080162	BOLT, M8X 16 PLATED	4							
53	1	129008-77800	PLUG, GLOW	4							
54	1	129604-77821	CONNECTOR, GLOW PLUG	1							
55	1	119803-77830	HARNES, WIRE	1							
56	1	120130-11860	GUIDE, VALVE	4							1
57	1	129150-11810	GUIDE, VALVE	4							1

Remarks
(1)Spare parts.

Fig.5. SUCTION MANIFOLD

(A)=4TNV88-ZPHBBC
(B)=
(C)=

(D)=
(E)=
(F)=

No.	Lev.	Parts No.	Description	Q'ty					
				(A)	(B)	(C)	(D)	(E)	(F)
1	1	129601-03080	HOSE ASSY, BREATHER	1					
2	2	129410-03990	CLAMP, HOSE 21.5	2					
3	1	129601-12100	MANIFOLD, INTAKE	1					
4	1	129407-12110	GASKET, MANIFOLD	1					
5	1	26106-080202	BOLT, M8X 20 PLATED	6					
6	1	26106-080802	BOLT, M8X 80 PLATED	1					
7	1	129150-77511	GASKET, AIR HEATER	1					
8	1	119803-77520	BEND, AIR HEATER	1					
9	1	26106-080202	BOLT, M8X 20 PLATED	2					
10	1	26106-080802	BOLT, M8X 80 PLATED	2					

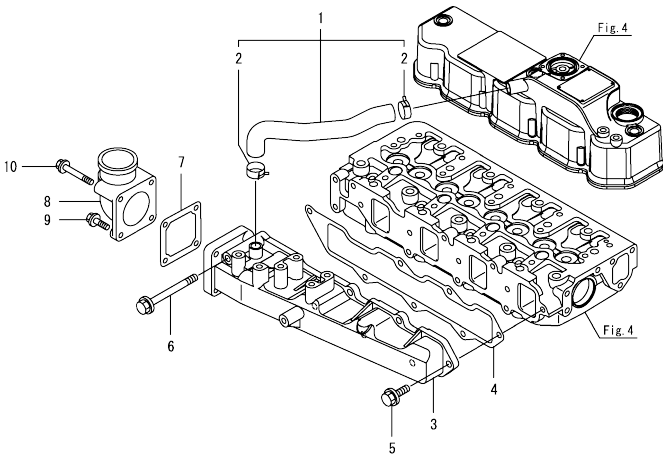
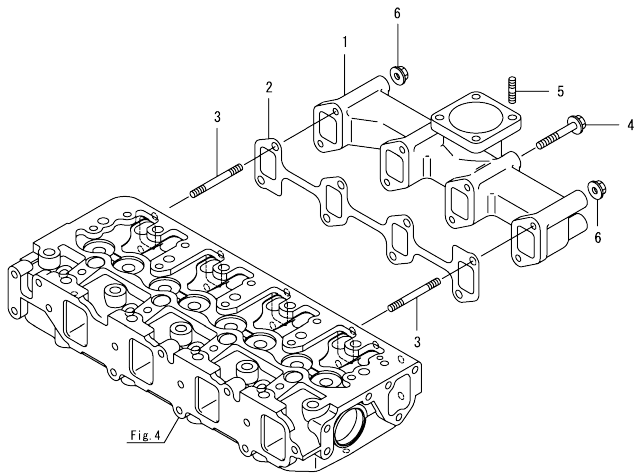


Fig.6. EXHAUST MANIFOLD

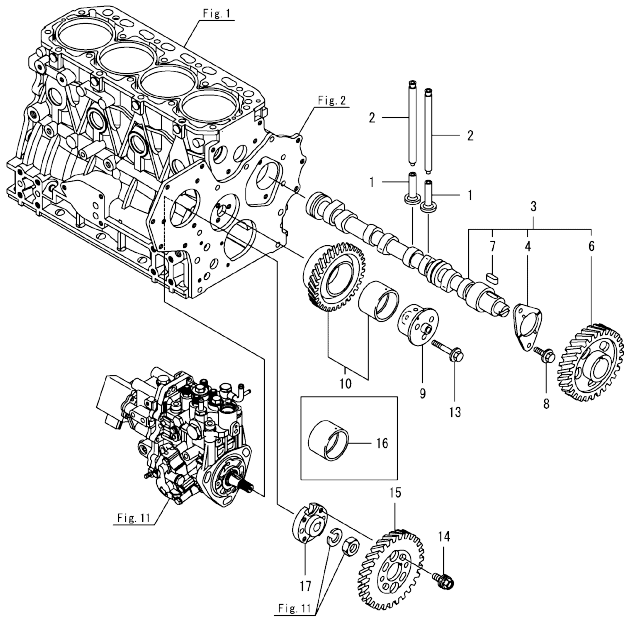


(A)=4TNV88-ZPHBBC
(B)=
(C)=

(D)=
(E)=
(F)=

No.	Lev.	Parts No.	Description	Q'ty					
				(A)	(B)	(C)	(D)	(E)	(F)
1	1	129411-13100	MANIFOLD, EXHAUST	1					
2	1	129550-13110	GASKET, MANIFOLD	1					
3	1	123900-13610	STUD, M8X80	2					
4	1	129E00-13640	BOLT, M8X80 10.9T	6					
5	1	119131-18320	STUD, M8X22	4					
6	1	26306-080002	NUT, M8	2					

Fig.7. CAMSHAFT & DRIVING GEAR



(A)=4TNV88-ZPHBBC
(B)=
(C)=

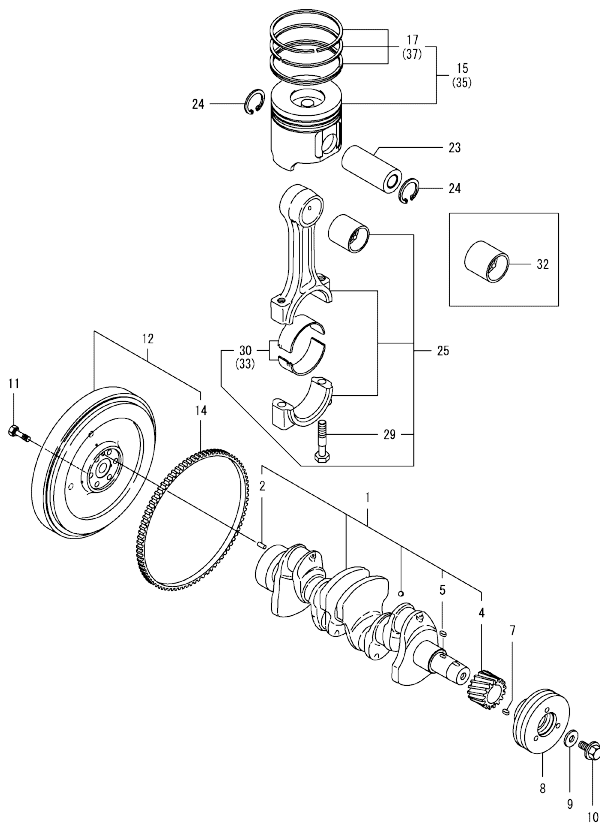
(D)=
(E)=
(F)=

No.	Lev.	Parts No.	Description	Q'ty						I	R
				(A)	(B)	(C)	(D)	(E)	(F)		
1	1	129150-14200	TAPPET	8							
2	1	129150-14400	ROD, PUSH L=178	8							
3	1	729402-14580	CAMSHAFT ASSY	1							
4	2	129150-02450	METAL, THRUST	1							
6	2	129150-14101	GEAR, CAMSHAFT	1							
7	2	22512-070140	KEY, 7X 14	1							
8	1	26106-080142	BOLT, M8X 14 PLATED	2							
9	1	119803-25050	SHAFT, IDLE GEAR	1							
10	1	119802-25101	GEAR ASSY, IDLE	1							
13	1	26106-080402	BOLT, M8X 40 PLATED	3							
14	1	129150-25301	BOLT, INJECTION PUMP	4							
15	1	119802-25901	GEAR, PUMP	1							
16	1	119802-25071	BUSH, IDLE GEAR	1							1
17	1	158552-51151	FLANGE, CAMSHAFT	1							

Remarks

(1)Spare parts.

Fig.8. CRANKSHAFT & PISTON



(A)=4TNV88-ZPHBBC
(B)=
(C)=

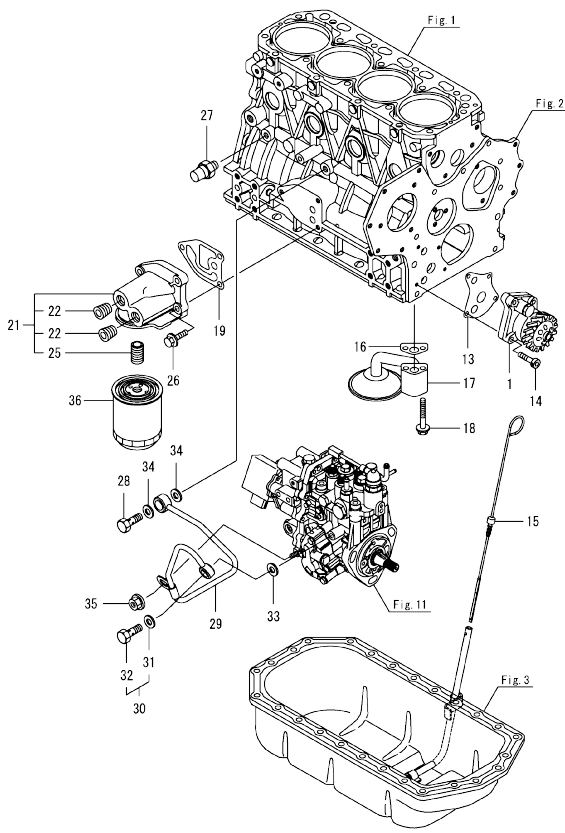
(D)=
(E)=
(F)=

No.	Lev.	Parts No.	Description	Q'ty						I	R
				(A)	(B)	(C)	(D)	(E)	(F)		
1	1	129604-21000	CRANKSHAFT ASSY	1							
2	2	129100-01580	PIN, PARALLEL 8X16	1							
4	2	119803-21200	GEAR, CRANKSHAFT	1							
5	2	22512-070140	KEY, 7X 14	1							
7	1	22512-070140	KEY, 7X 14	1							
8	1	119852-21660	V-PULLEY, CRANKSHAFT	1							
9	1	129795-21661	WASHER, 14	1							
10	1	121850-21680	BOLT, V-PULLEY	1							
11	1	121111-21501	BOLT, FLYWHEEL	6							
12	1	119940-21590	FLYWHEEL ASSY	1							
14	2	119865-21600	GEAR, RING Z=116	1							
15	1	129005-22080	PISTON ASSY	4							
17	2	129005-22500	RING SET, PISTON	4							
23	1	129202-22300	PIN, PISTON D26 L70	4							
24	1	22252-000260	RING, 26	8							
25	1	729402-23100	ROD ASSY, CONNECTING	4							
29	2	121550-23200	BOLT, CONNECTING ROD	8							
30	2	129150-23601	METAL ASSY, CRANK PIN	4							
32	1	129100-23910	METAL, PISTON PIN	4							1
33	1	129150-23611	METAL, CRANK PIN .25	4							2
35	1	129005-22900	PISTON ASSY, 0.25 OS	4							3
37	2	129005-22950	RING SET, PISTON .25	4							3

Remarks

- (1) Spare parts.
- (2) Under-sized (U.S.=0.25) parts.
- (3) Over-sized (O.S.=0.25) parts.

Fig.9. LUB. OIL SYSTEM



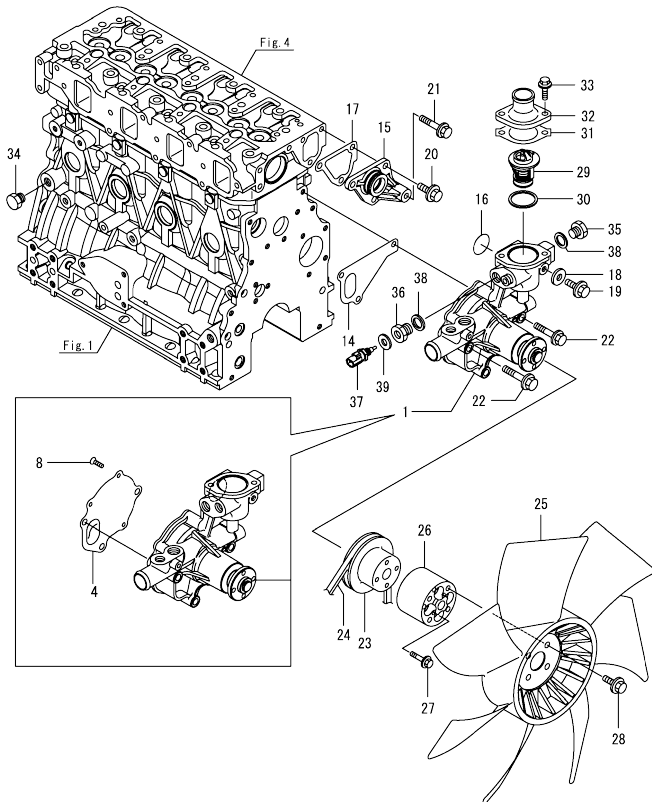
(A)=4TNV88-ZPHBBC
(B)=
(C)=

(D)=
(E)=
(F)=

No.	Lev.	Parts No.	Description	Q'ty						I	R
				(A)	(B)	(C)	(D)	(E)	(F)		
1	1	129407-32001	PUMP ASSY, OIL	1							
13	1	129150-32020	GASKET, PUMP	1							
14	1	26450-060252	BOLT, M6X 25	4							
15	1	129654-34800	DIPSTICK, LUB.OIL	1							
16	1	129150-35042	GASKET, INLET PIPE	1							
17	1	129436-35070	PIPE ASSY, OIL INLET	1							
18	1	26106-080552	BOLT, M8X 55 PLATED	2							
19	1	129103-35122	GASKET, BRACKET	1							
21	1	129238-35160	BRACKET ASSY, FILTER	1							
22	2	129033-01770	PLUG, SCREW NPT1/2	2							
25	2	129100-35140	STUD	1							
26	1	26106-080252	BOLT, M8X 25 PLATED	3							
27	1	124298-39450	SWITCH, HYDRAULIC	1							
28	1	124160-39140	BOLT, PIPE JOINT M10	1							
29	1	119802-39450	PIPE ASSY, OIL	1							
30	1	129005-59830	BOLT ASSY, JOINT M8	1							
31	2	22190-080002	WASHER, SEAL 8	1							
32	2	23857-030000	BOLT, JOINT 3	1							
33	1	22190-080002	WASHER, SEAL 8	1							
34	1	22190-100002	WASHER, SEAL 10	2							
35	1	26366-060002	NUT, M6	1							
36	1	119005-35151	FILTER, OIL D80X100	1							1

Remarks
(1)Spare parts.

Fig.10. COOLING WATER SYSTEM

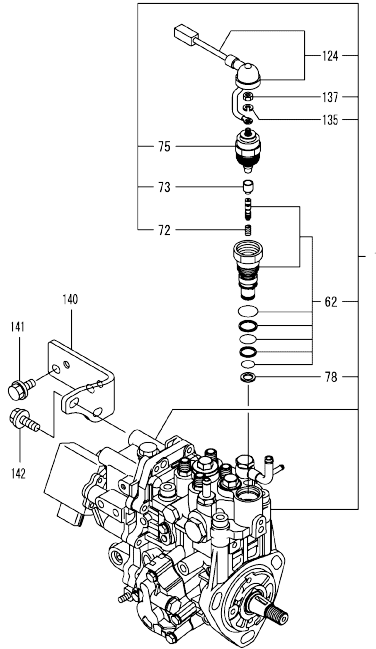


(A)=4TNV88-ZPHBBC
(B)=
(C)=

(D)=
(E)=
(F)=

No.	Lev.	Parts No.	Description	Q'ty						I	R
				(A)	(B)	(C)	(D)	(E)	(F)		
1	1	129001-42005	PUMP ASSY, CW	1							
4	2	129100-42051	GASKET, WATER PUMP	1							
8	2	129150-42290	SCREW, FLAT M6X15	3							
14	1	129486-42021	GASKET, WATER PUMP	1							
15	1	129004-42040	JOINT, WATER PIPE	1							
16	1	129486-42140	O-RING, G30	1							
17	1	124395-49840	GASKET, THERMOSTAT	1							
18	1	23414-080000	GASKET, 8X1.0	1							
19	1	26106-080122	BOLT, M8X 12 PLATED	1							
20	1	26106-080162	BOLT, M8X 16 PLATED	3							
21	1	26106-080452	BOLT, M8X 45 PLATED	1							
22	1	26106-080602	BOLT, M8X 60 PLATED	3							
23	1	129550-42350	V-PULLEY, PUMP	1							
24	1	129612-42360	V-BELT, A39	1							
25	1	129907-44740	FAN, COOLING D=430X7	1							
26	1	129642-44770	SPACER, FAN 45MM	1							
27	1	26106-060452	BOLT, M6X 45 PLATED	4							
28	1	26106-080162	BOLT, M8X 16 PLATED	4							
29	1	129155-49801	THERMOSTAT, 71C	1							
30	1	129150-49811	GASKET, THERMOSTAT	1							
31	1	129795-49551	GASKET, COVER	1							
32	1	129350-49530	COVER, THERMOSTAT	1							
33	1	26106-080222	BOLT, M8X 22 PLATED	2							
34	1	171056-49120	PLUG, DRAIN R1/4	1							
35	1	121450-42450	PLUG, M16	1							
36	1	129974-49350	JOINT, SENSOR	1							
37	1	129927-44900	SENSOR, TEMPERATURE	1							
38	1	124465-44950	GASKET, 16	2							
39	1	22190-120002	WASHER, SEAL 12	1							

Fig.11. FUEL INJECTION PUMP



(A)=4TNV88-ZPHBBC
(B)=
(C)=

(D)=
(E)=
(F)=

No.	Lev.	Parts No.	Description	Q'ty						I	R
				(A)	(B)	(C)	(D)	(E)	(F)		
1	1	729630-51550	PUMP ASSY, INJECTION	1							1
62	2	129657-51590	TIMER ASSY	1							
72	2	119852-51630	SPRING, TIMER	1							
73	2	119852-51640	CAP, TIMER	1							
75	2	119852-51650	VALVE ASSY, SOLENOID	1							
78	2	158553-51680	GASKET, TIMER	1							
124	2	129927-51650	HARNES ASSY, WIRE	1							
135	2	22217-050000	WASHER, SPRING 5	1							
137	2	26716-050002	NUT, M5	1							
140	1	129263-51251	RETAINER, FUEL PUMP	1							
141	1	26106-080162	BOLT, M8X 16 PLATED	2							
142	1	26106-080202	BOLT, M8X 20 PLATED	2							

Remarks

(1)Governor(Fig.12) is incorporated in this Fuel Injection Pump(No.1).

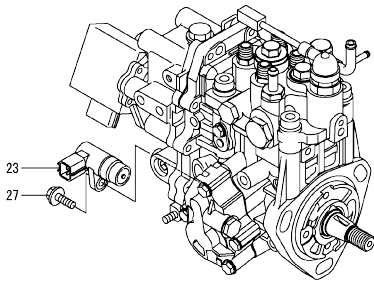
OCD50-M06410 ENGINE
 Fig.12. GOVERNOR

OCD50-M06410 Fig.12

(A)=4TNV88-ZPHBBC
 (B)=
 (C)=

(D)=
 (E)=
 (F)=

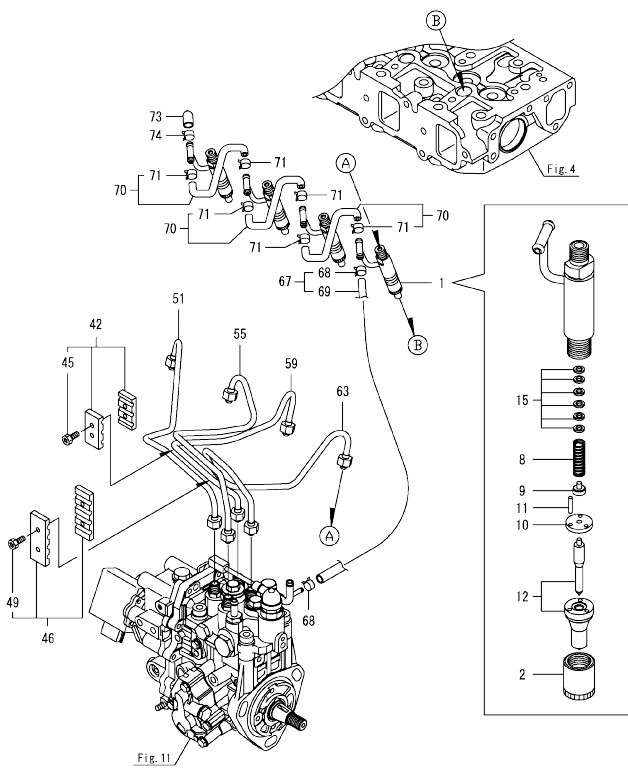
No.	Lev.	Parts No.	Description	Q'ty						I	R
				(A)	(B)	(C)	(D)	(E)	(F)		
23	2	158557-61720	SENSOR, ROTATION	1							
27	2	26106-060162	BOLT, M6X 16 PLATED	1							



Remarks

* This figure(Governor) is incorporated in the Fuel Injection Pump(Fig.11).

Fig.13. FUEL INJECTION VALVE



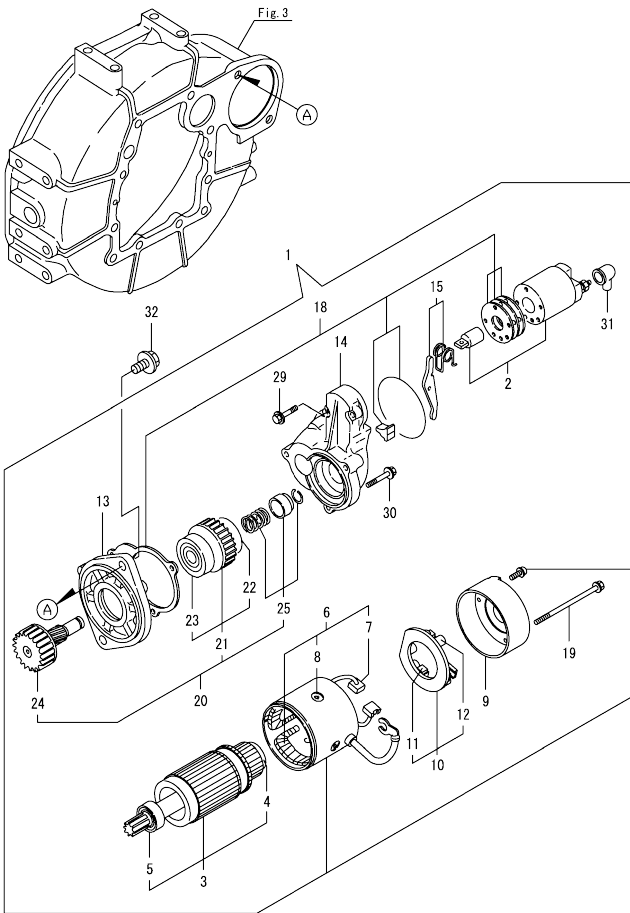
(A)=4TNV88-ZPHBBC
(B)=
(C)=

(D)=
(E)=
(F)=

No.	Lev.	Parts No.	Description	Q'ty						I	R
				(A)	(B)	(C)	(D)	(E)	(F)		
1	1	729604-53300	VALVE ASSY,INJECTION	4							
2	2	114250-53080	NUT, NOZZLE	4							
8	2	114250-53120	SPRING, NOZZLE	4							
9	2	114250-53130	SEAT, SPRING	4							
10	2	114250-53140	SPACER, VALVE STOP	4							
11	2	114250-53210	PIN, POSITIONING	8							
12	2	129604-53300	VALVE ASSY,INJECTION	4							
15	2	119803-53400	SHIM SET	4							1
42	1	129150-59120	RETAINER, PIPE	1							
45	2	129150-59131	BOLT, M4X14	2							
46	1	129550-59120	RETAINER, PIPE	1							
49	2	129150-59131	BOLT, M4X14	2							
51	1	129601-59810	PIPE ASSY, INJECTION	1							
55	1	129601-59820	PIPE ASSY, INJECTION	1							
59	1	129601-59830	PIPE ASSY, INJECTION	1							
63	1	129601-59840	PIPE ASSY, INJECTION	1							
67	1	119802-59550	HOSE ASSY, RETURN	1							
68	2	124722-59050	CLAMP, HOSE 9	2							
69	2	119802-59560	HOSE, FUEL RETURN	1							
70	1	129486-59551	HOSE ASSY, RETURN	3							
71	2	124722-59050	CLAMP, HOSE 9	6							
73	1	119593-59581	CAP, RETURN PIPE	1							
74	1	124060-77680	CLAMP, HOSE 10	1							

Remarks
(1)Spare parts.

Fig.14. STARTER MOTOR

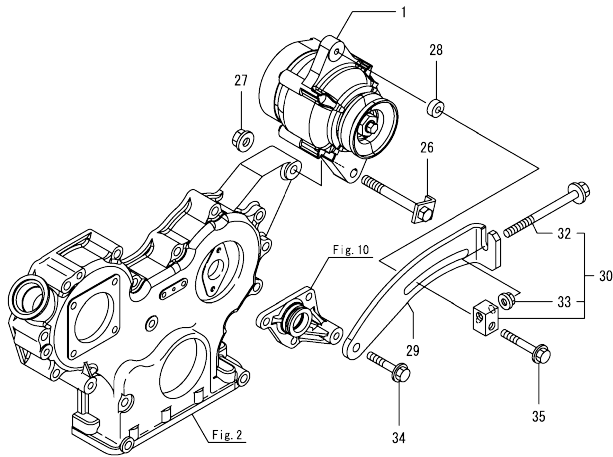
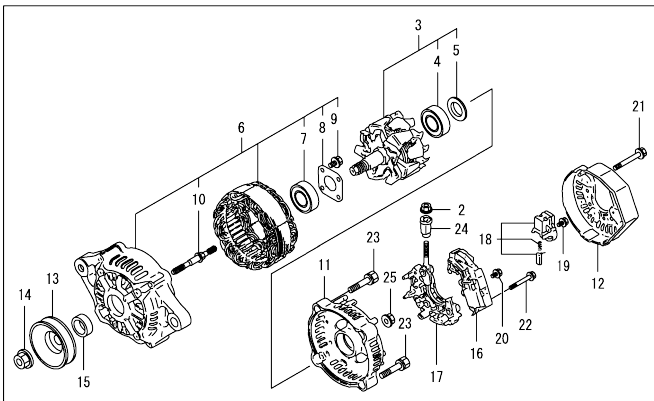


(A)=4TNV88-ZPHBBC
(B)=
(C)=

(D)=
(E)=
(F)=

No.	Lev.	Parts No.	Description	Q'ty						I	R
				(A)	(B)	(C)	(D)	(E)	(F)		
1	1	129136-77011	STARTER	1							
2	2	129136-77310	SWITCH ASSY, MAGNET	1							
3	2	129900-77400	ARMATURE ASSY	1							
4	3	X2130350900	BEARING, BALL	1							
5	3	X2114255110	BEARING, BALL	1							
6	2	129900-77440	COIL ASSY, FIELD	1							
7	3	129900-77450	BRUSH, +	2							
8	3	171008-77450	SCREW, CORE SET	4							
9	2	129900-77460	COVER, REAR	1							
10	2	129900-77480	HOLDER ASSY, BRUSH	1							
11	3	129900-77450	BRUSH, +	2							
12	3	129400-77490	SPRING, BRUSH	4							
13	2	171008-77510	CASE, GEAR	1							
14	2	129136-77520	HOUSING, STARTOR	1							
15	2	171008-77540	LEVER SET, SHIFT	1							
18	2	129400-77571	COVER KIT, DUST	1							
19	2	129900-77640	BOLT, THROUGH	2							
20	2	171008-77650	PINION ASSY,W/CLUTCH	1							
21	3	X2114555500	CLUTCH ASSY	1							
22	4	X2114955020	BEARING, BALL	1							
23	4	X2240410100	BEARING, BALL	1							
24	3	171008-77660	SHAFT, PINION	1							
25	3	171008-77670	STOPPER SET, PINION	1							
29	2	26106-060322	BOLT, M6X 32 PLATED	2							
30	2	26106-060402	BOLT, M6X 40 PLATED	3							
31	2	171008-77750	COVER, TERMINAL	1							
32	1	26106-120252	BOLT, M12X 25 PLATED	2							

Fig.15. GENERATOR

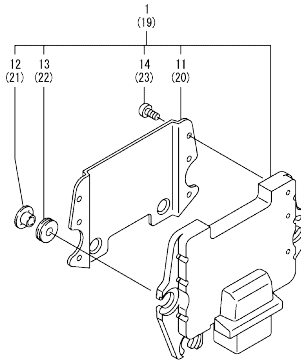


(A)=4TNV88-ZPHBCC
(B)=
(C)=

(D)=
(E)=
(F)=

No.	Lev.	Parts No.	Description	Qty						I	R
				(A)	(B)	(C)	(D)	(E)	(F)		
1	1	119626-77220	ALTERNATOR, 12V-55A	1							
2	2	129240-79310	NUT	1							
3	2	129052-77380	ROTOR ASSY	1							
4	3	123501-79240	BEARING, BALL	1							
5	3	119620-79250	COVER, BEARING	1							
6	2	129052-77422	FRAME ASSY	1							
7	3	119620-79200	BEARING, BALL	1							
8	3	119620-79210	PLATE, RETAINER	1							
9	3	119620-79220	SCREW	4							
10	3	119620-79230	STUD	2							
11	2	128401-77440	COVER, END	1							
12	2	119626-77450	COVER, END	1							
13	2	119620-77461	PULLEY, GENERATOR	1							
14	2	119620-77471	NUT	1							
15	2	119620-77490	COLLAR	1							
16	2	129423-77730	REGULATOR ASSY	1							
17	2	129052-79260	HOLDER ASSY	1							
18	2	129052-79270	HOLDER ASSY, BRUSH	1							
19	2	119620-79290	SCREW	6							
20	2	119620-79300	SCREW	1							
21	2	119620-79310	BOLT	3							
22	2	119620-79320	SCREW, W/WASHER	2							
23	2	119620-79330	BOLT	2							
24	2	119620-79340	BUSH, INSULATION	1							
25	2	119620-79350	NUT	2							
26	1	119740-77251	BOLT, M10X80	1							
27	1	26306-100002	NUT, M10	1							
28	1	119940-77270	SPACER, GENERATOR	1							
29	1	119940-77310	ADJUSTER, BELT	1							
30	1	119624-77351	BLOCK ASSY, ADJUSTER	1							
32	2	26106-081004	BOLT, M8X100 PLATED	1							
33	2	26306-080002	NUT, M8	1							
34	1	26106-080452	BOLT, M8X 45 PLATED	1							
35	1	26106-080552	BOLT, M8X 55 PLATED	1							

Fig.16. ELECTRONIC CONTROL UNIT(ECU)



(A)=4TNV88-ZPHBCC
(B)=
(C)=

(D)=
(E)=
(F)=

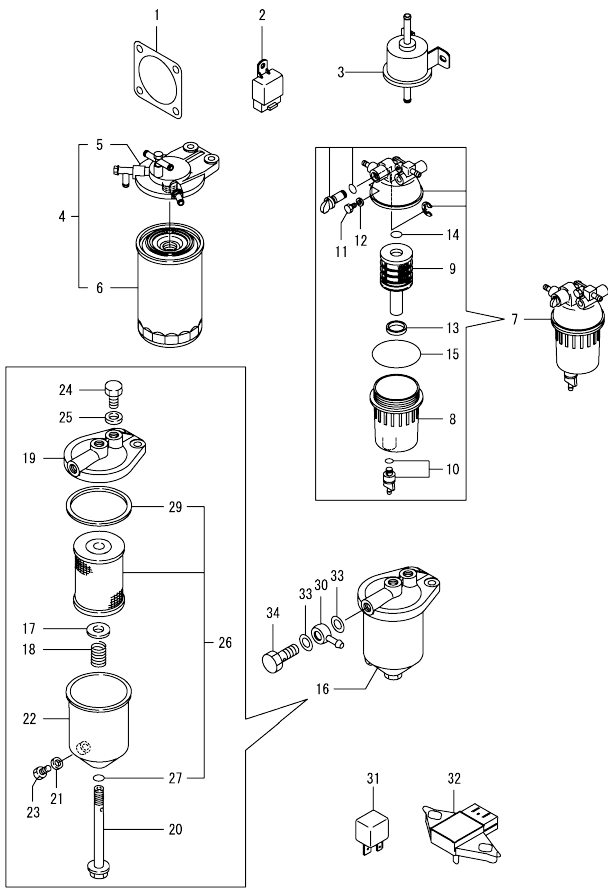
No.	Lev.	Parts No.	Description	Q'ty						I	R
				(A)	(B)	(C)	(D)	(E)	(F)		
1	1	129654-75050	ECU ASSY	1							1
11	2	129927-77600	SHIELD, ECU	1							
12	2	129927-77680	COLLAR, CONTROLLER	3							
13	2	119578-91351	RUBBER, CONTROLLER	3							
14	2	22877-500080	SCREW, 5X 8	6							
19	1	129927-75901	ECU ASSY, SERVICE	1							2
20	2	129927-77600	SHIELD, ECU	1							
21	2	129927-77680	COLLAR, CONTROLLER	3							
22	2	119578-91351	RUBBER, CONTROLLER	3							
23	2	22877-500080	SCREW, 5X 8	6							

Remarks

- (1)Eco ECU
This part cannot be ordered.
- Replace the part using a Service ECU with the proper engine information installed.
- (2)Service ECU
If the proper information is not installed, the engine will not operate.
- To install proper information, go to an authorized distributor.

OCD50-M06410 ENGINE
 Fig.17. ACCESSORY

OCD50-M06410 Fig.17



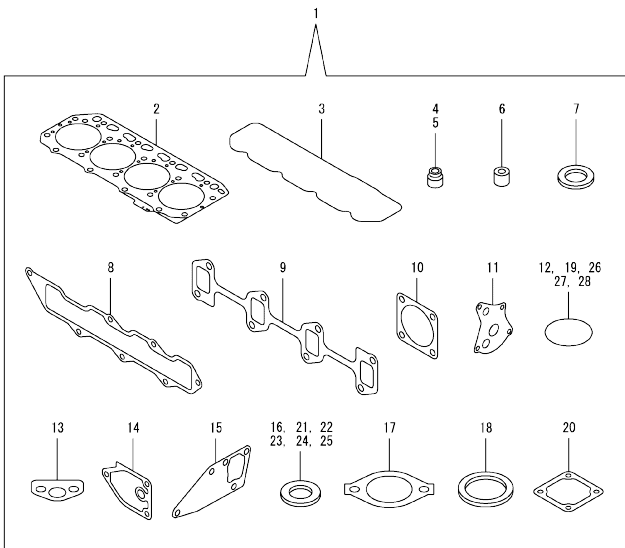
(A)=4TNV88-ZPHBBC
 (B)=
 (C)=

(D)=
 (E)=
 (F)=

No.	Lev.	Parts No.	Description	Q'ty						I	R
				(A)	(B)	(C)	(D)	(E)	(F)		
1	1	129400-13201	GASKET, SILENCER	1							
2	1	172B02-17150	RELAY, CA TYPE C	2							
3	1	129612-52100	PUMP, FUEL FEED	1							
4	1	129940-55610	FILTER ASSY, FUEL	1							
5	2	129004-55612	BRACKET, FILTER	1							
6	2	129907-55801	FILTER, FUEL	1							
7	1	129242-55701	SEPARATOR ASSY,WATER	1							
8	2	129242-55720	CUP, SEPARATOR	1							
9	2	129242-55730	ELEMENT, FUEL FILTER	1							
10	2	129242-55740	PLUG, DRAIN	1							
11	2	129242-55750	VALVE, AIR VENT	1							
12	2	129242-55760	GASKET, PLUG	1							
13	2	129242-55770	FLOAT	1							
14	2	24311-000160	O-RING, 1AP16.0	1							
15	2	24321-000750	O-RING, 1AG75.0	1							
16	1	129923-55750	SEPARATOR ASSY,WATER	1							
17	2	123325-35160	SEAT, SPRING	1							
18	2	129065-55170	SPRING, FILTER	1							
19	2	129495-55610	BODY, STRAINER	1							
20	2	129495-55620	BOLT, CENTER	1							
21	2	123672-55760	GASKET	1							
22	2	129923-55760	CASE, SEPARATOR	1							
23	2	129065-55770	PLUG, DRAIN M8	1							
24	2	129065-55800	PLUG, M14	1							
25	2	123678-55890	GASKET, PLUG	1							
26	2	41650-502320	ELEMENT ASSY, FUEL	1							
27	3	24311-000120	O-RING, 1AP12.0	1							
29	3	123325-35140	GASKET, COVER	1							
30	1	121750-59910	JOINT, BALL 14	2							
31	1	129927-77920	RELAY, ISO 70A	2							
32	1	129927-91200	SENSOR, PRESSURE	1							
33	1	22190-140002	WASHER, SEAL 14	4							
34	1	23857-080000	BOLT, JOINT 8	2							

N:Old $\frac{100}{100}$ New, Q:Old $\frac{100}{100}$ New, R:Old $\frac{100}{100}$ New, S:Old $\frac{100}{100}$ New, W:Add, Z:Discontinued, F:Interchangeable by set, K:Q'ty Change
 Copyright (C) 2020 YANMAR GLOBAL CS CO., LTD. All Rights Reserved.

Fig.18. GASKET SET



(A)=4TNV88-ZPHBCC
(B)=
(C)=

(D)=
(E)=
(F)=

No.	Lev.	Parts No.	Description	Q'ty						I	R
				(A)	(B)	(C)	(D)	(E)	(F)		
1	1	129630-92610	GASKET SET	1							1
2	2	129407-01340	GASKET, HEAD	1							
3	2	129601-11310	GASKET, BONNET	1							
4	2	121400-11340	SEAL, VALVE STEM	4							
5	2	124460-11340	SEAL, VALVE STEM	4							
6	2	119802-11870	PROTECTOR, NOZZLE	4							
7	2	119625-11880	SEAT, NOZZLE	4							
8	2	129407-12110	GASKET, MANIFOLD	1							
9	2	129550-13110	GASKET, MANIFOLD	1							
10	2	129400-13201	GASKET, SILENCER	1							
11	2	129150-32020	GASKET, PUMP	1							
12	2	119609-32040	O-RING, P16	2							
13	2	129150-35042	GASKET, INLET PIPE	1							
14	2	129150-35111	GASKET, BRACKET	1							
15	2	129486-42050	GASKET, WATER PUMP	1							
16	2	124465-44950	GASKET, 16	2							
17	2	129795-49551	GASKET, COVER	1							
18	2	129150-49811	GASKET, THERMOSTAT	1							
19	2	121850-51960	O-RING, FUEL PUMP	1							
20	2	129150-77511	GASKET, AIR HEATER	1							
21	2	22190-080002	WASHER, SEAL 8	2							
22	2	22190-100002	WASHER, SEAL 10	2							
23	2	22190-120002	WASHER, SEAL 12	1							
24	2	22190-220002	WASHER, SEAL 22	1							
25	2	23414-080000	GASKET, 8X1.0	1							
26	2	24311-000120	O-RING, 1AP12.0	3							
27	2	24311-000240	O-RING, 1AP24.0	1							
28	2	24311-000320	O-RING, 1AP32.0	2							

Remarks

(1)Optional parts.

Parts No. Index

Parts No.	Fig. No.	Ref. No.
114250-53080	13	2
114250-53120	13	8
114250-53130	13	9
114250-53140	13	10
114250-53210	13	11
119005-35151	9	36
119131-18320	6	5
119226-07900	4	50
119309-01810	1	29
119578-91351	16	13
		22
119593-59581	13	73
119609-32040	2	9
	18	12
119620-01750	3	3
119620-77461	15	13
119620-77471	15	14
119620-77490	15	15
119620-79200	15	7
119620-79210	15	8
119620-79220	15	9
119620-79230	15	10
119620-79250	15	5
119620-79290	15	19
119620-79300	15	20
119620-79310	15	21
119620-79320	15	22
119620-79330	15	23
119620-79340	15	24
119620-79350	15	25
119624-77351	15	30
119625-11880	4	28
	18	7
119626-77220	15	1
119626-77450	15	12
119640-01640	3	8
119740-77251	15	26
119802-01561	2	5
119802-03110	4	39
119802-03121	4	40
119802-03130	4	41
119802-03141	4	42
119802-11260	4	4
119802-11270	4	5
119802-11870	4	27
	18	6
119802-25071	7	16
119802-25101	7	10
119802-25901	7	15
119802-39450	9	29

Parts No.	Fig. No.	Ref. No.
119802-59550	13	67
119802-59560	13	69
119803-01520	2	4
119803-21200	8	4
119803-25050	7	9
119803-53400	13	15
119803-77520	5	8
119803-77830	4	55
119852-21660	8	8
119852-51630	11	72
119852-51640	11	73
119852-51650	11	75
119865-21600	8	14
119934-01800	2	3
119940-21590	8	12
119940-77270	15	28
119940-77310	15	29
120130-11860	4	56
120270-54410	4	30
121023-01551	2	19
121111-21501	8	11
121400-11340	4	23
	18	4
121450-42450	10	35
121550-23200	8	29
121750-59910	17	30
121850-21680	8	10
121850-51960	2	10
	18	19
123325-35140	17	29
123325-35160	17	17
123501-79240	15	4
123672-55760	17	21
123678-55890	17	25
123900-13610	6	3
124060-01050	1	4
124060-77680	13	74
124160-01751	2	6
	4	35
124160-01910	1	6
		7
124160-11360	4	47
124160-39140	9	28
124240-01871	2	7
124298-39450	9	27
124395-49840	10	17
124460-11340	4	24
	18	5
124465-44950	10	38
	18	16

Parts No.	Fig. No.	Ref. No.
124722-59050	13	68
		71
128401-77440	15	11
129001-01250	1	5
129001-02931	1	30
129001-42005	10	1
129004-03010	4	37
129004-11650	4	7
129004-11900	4	29
129004-42040	10	15
129004-55612	17	5
129005-11100	4	19
129005-22080	8	15
129005-22500	8	17
129005-22900	8	35
129005-22950	8	37
129005-59830	9	30
129008-77800	4	53
129033-01770	9	22
129052-77380	15	3
129052-77422	15	6
129052-79260	15	17
129052-79270	15	18
129065-55170	17	18
129065-55770	17	23
129065-55800	17	24
129100-01580	3	1
		15
	8	2
129100-11112	4	20
129100-23910	8	32
129100-35140	9	25
129100-42051	10	4
129103-35122	9	19
129136-77011	14	1
129136-77310	14	2
129136-77520	14	14
129150-01200	1	27
129150-02020	1	9
129150-02450	7	4
129150-02871	1	33
129150-02931	1	24
129150-02941	1	36
129150-03070	4	38
129150-11230	4	8
129150-11280	4	6
129150-11370	4	12
129150-11750	4	10
129150-11810	4	57
129150-14101	7	6

Parts No.	Fig. No.	Ref. No.
129150-14200	7	1
129150-14400	7	2
129150-23601	8	30
129150-23611	8	33
129150-25301	7	14
129150-32020	9	13
	18	11
129150-35042	9	16
	18	13
129150-35111	18	14
129150-42290	10	8
129150-49811	10	30
	18	18
129150-59120	13	42
129150-59131	13	45
		49
129150-77511	5	7
	18	20
129155-49801	10	29
129202-22300	8	23
129238-35160	9	21
129240-79310	15	2
129242-55701	17	7
129242-55720	17	8
129242-55730	17	9
129242-55740	17	10
129242-55750	17	11
129242-55760	17	12
129242-55770	17	13
129263-51251	11	140
129350-49530	10	32
129400-01730	3	6
129400-13201	17	1
	18	10
129400-77490	14	12
129400-77571	14	18
129407-01340	1	28
	18	2
129407-12110	5	4
	18	8
129407-32001	9	1
129410-03990	5	2
129411-13100	6	1
129423-77730	15	16
129436-35070	9	17
129486-01670	3	19
129486-42021	10	14
129486-42050	18	15
129486-42140	10	16
129486-59551	13	70

Parts No. Index

Parts No.	Fig. No.	Ref. No.
129495-55610	17	19
129495-55620	17	20
129536-01770	3	7
129550-13110	6	2
	18	9
129550-42350	10	23
129550-59120	13	46
129601-03080	5	1
129601-11241	4	1
129601-11251	4	2
129601-11310	4	44
	18	3
129601-11350	4	36
129601-12100	5	3
129601-59810	13	51
129601-59820	13	55
129601-59830	13	59
129601-59840	13	63
129604-11700	4	13
129604-21000	8	1
129604-53300	13	12
129604-77821	4	54
129612-01600	3	2
129612-42360	10	24
129612-52100	17	3
129630-92610	18	1
129642-44770	10	26
129648-01600	3	16
129648-01780	3	18
129654-34800	9	15
129654-75050	16	1
129657-51590	11	62
129795-01950	2	8
129795-02412	1	12
129795-11120	4	21
129795-11180	4	22
129795-21661	8	9
129795-49551	10	31
	18	17
129900-07900	4	51
129900-77400	14	3
129900-77440	14	6
129900-77450	14	7
	11	
129900-77460	14	9
129900-77480	14	10
129900-77640	14	19
129907-44740	10	25
129907-55801	17	6
129923-55750	17	16

Parts No.	Fig. No.	Ref. No.
129923-55760	17	22
129927-44900	10	37
129927-51650	11	124
129927-75901	16	19
129927-77600	16	11
	20	
129927-77680	16	12
	21	
129927-77920	17	31
129927-91200	17	32
129940-55610	17	4
129974-49350	10	36
129E00-13640	6	4
158552-51151	7	17
158553-51680	11	78
158557-61720	12	23
171008-77450	14	8
171008-77510	14	13
171008-77540	14	15
171008-77650	14	20
171008-77660	14	24
171008-77670	14	25
171008-77750	14	31
171051-01921	1	8
171056-49120	10	34
172B02-17150	17	2
22190-080002	2	11
	9	31
	18	21
22190-100002	9	34
	18	22
22190-120002	10	39
	18	23
22190-140002	17	33
22190-220002	3	10
	18	24
22217-050000	11	135
22252-000260	8	24
22351-060012	4	31
22512-070140	7	7
	8	5
	7	7
22857-500100	4	45
	46	
22877-500080	16	14
	23	
23414-080000	10	18
	18	25
23857-030000	9	32

Parts No.	Fig. No.	Ref. No.
23857-080000	17	34
24311-000120	4	48
	17	27
	18	26
24311-000160	17	14
24311-000240	18	27
24311-000320	2	12
	4	49
	18	28
24321-000750	17	15
24341-000240	2	20
26106-060162	2	21
	12	27
26106-060322	14	29
26106-060402	14	30
26106-060452	10	27
26106-080122	10	19
26106-080142	7	8
26106-080162	2	13
	14	
	3	11
	4	52
	10	20
	28	
	11	141
26106-080202	5	5
	11	142
26106-080222	10	33
26106-080252	3	12
	4	32
	9	26
26106-080302	2	15
26106-080352	3	20
	4	33
26106-080402	7	13
26106-080452	3	13
	10	21
	15	34
26106-080502	3	14
	4	34
26106-080552	2	16
	9	18
	15	35
26106-080602	10	22
26106-080802	5	6
	10	
26106-080852	2	17
26106-081004	15	32
26106-120252	14	32

Parts No.	Fig. No.	Ref. No.
26206-100252	3	4
26206-100302	3	5
26226-080182	4	11
26306-080002	2	18
	6	6
	15	33
26306-100002	15	27
26366-060002	9	35
26450-060252	9	14
26716-050002	11	137
27241-120000	1	13
27241-300000	1	14
27241-400000	4	18
27310-080001	4	25
41650-502320	17	26
729402-14580	7	3
729402-23100	8	25
729602-01560	1	1
729604-53300	13	1
729630-01500	2	1
729630-51550	11	1
X2114255110	14	5
X2114555500	14	21
X2114955020	14	22
X2130350900	14	4
X2240410100	14	23