

0CD50-M03000EN

# P R E F A C E

This parts catalog is the 1st edition of 4TNV88-ZMZL for ZOOMLION.

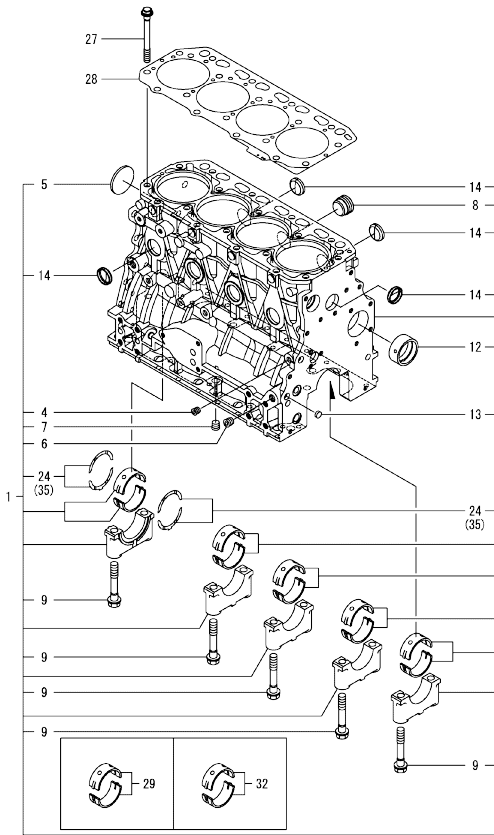
Published : March, 2017

## Contents

OCD50-M03000

Fig. No.	Fig. Name	Fig. No.	Fig. Name
ENGINE			
1.	CYLINDER BLOCK		
2.	GEAR HOUSING		
3.	FLYWHEEL HOUSING & OIL SUMP		
4.	CYLINDER HEAD & BONNET		
5.	SUCTION MANIFOLD		
6.	EXHAUST MANIFOLD		
7.	CAMSHAFT & DRIVING GEAR		
8.	CRANKSHAFT & PISTON		
9.	LUB. OIL SYSTEM		
10.	COOLING WATER SYSTEM		
11.	FUEL INJECTION PUMP		
12.	GOVERNOR		
13.	FUEL INJECTION VALVE		
14.	FUEL PIPE		
15.	STARTER MOTOR		
16.	GENERATOR		
17.	ELECTRONIC CONTROL UNIT(ECU)		
18.	ACCESSORY		

Fig.1. CYLINDER BLOCK



(A)=4TNV88-ZMZL  
(B)=  
(C)=

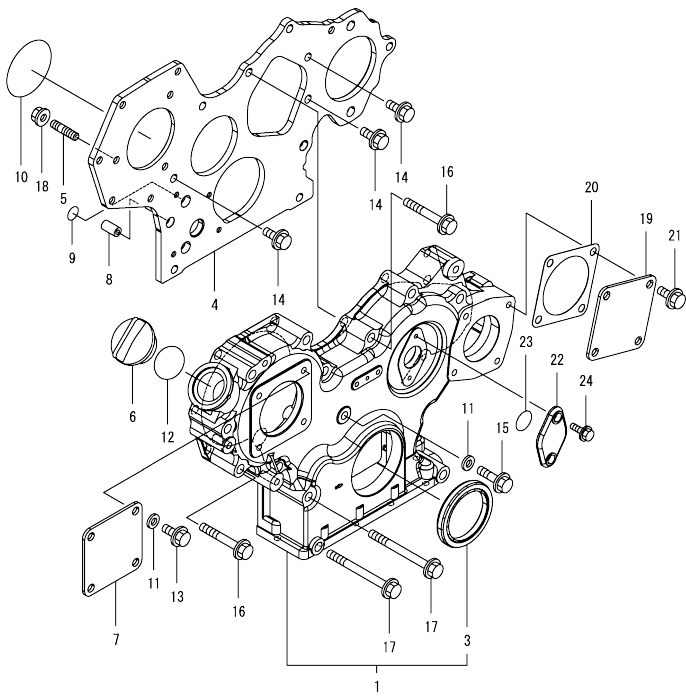
(D)=  
(E)=  
(F)=

No.	Lev.	Parts No.	Description	Q'ty						I	R
				(A)	(B)	(C)	(D)	(E)	(F)		
1	1	729602-01560	BLOCK ASSY, CYLINDER	1							
4	2	124060-01050	PLUG, PT1/8	1							
5	2	129001-01250	PLUG, DISH TYPE 50	1							
6	2	124160-01910	PLUG, PT1/4	2							
7	2	124160-01910	PLUG, PT1/4	1							
8	2	171051-01921	PLUG, NPTF1	1							
9	2	129150-02020	BOLT, METAL CAP	10							
12	2	129795-02412	BUSH, CAMSHAFT	1							
13	2	27241-120000	PLUG, 12	2							
14	2	27241-300000	PLUG 30	8							
24	2	129150-02931	BEARING ASSY, THRUST	2							
27	1	129150-01200	BOLT, CYLINDER HEAD	18							
28	1	129407-01340	GASKET, HEAD	1							
29	1	129001-02931	BEARING ASSY, MAIN	5							1
32	1	129150-02871	BEARING ASSY, MAIN	5							2
35	1	129150-02941	BEARING, THRUST 0.25	1							3

Remarks

- (1) Spare parts.
- (2) Under-sized (U.S.=0.25) parts.
- (3) Over-sized (O.S.=0.25) parts.

Fig.2. GEAR HOUSING

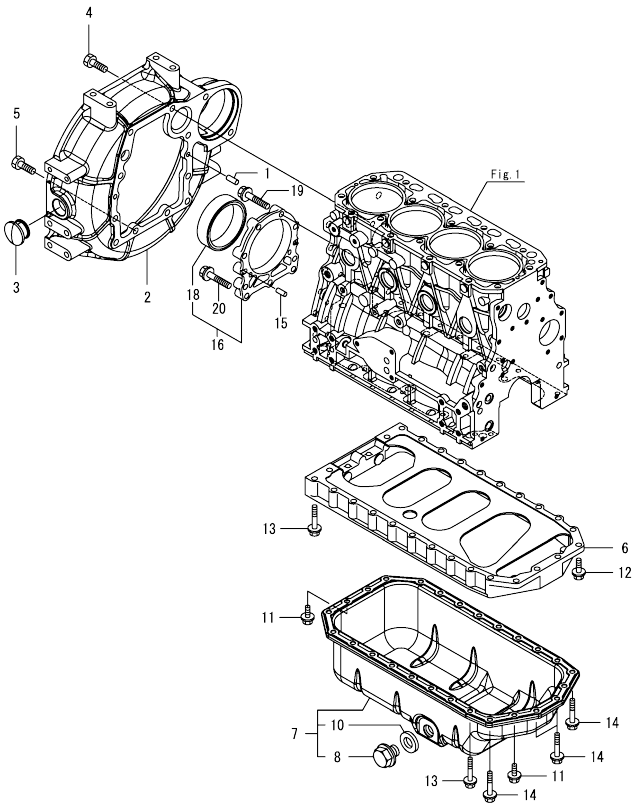


(A)=4TNV88-ZMZL  
(B)=  
(C)=

(D)=  
(E)=  
(F)=

No.	Lev.	Parts No.	Description	Q'ty						I	R
				(A)	(B)	(C)	(D)	(E)	(F)		
1	1	729652-01500	CASE ASSY, GEAR	1							
3	2	119934-01800	SEAL, OIL	1							
4	1	129604-01520	FLANGE, GEAR CASE	1							
5	1	119802-01561	BOLT, STUD M8X25	3							
6	1	124160-01751	CAP, FILLER	1							
7	1	124240-01871	COVER, PUMP	1							
8	1	129795-01950	PIPE, DOWEL L=18	2							
9	1	119609-32040	O-RING, P16	2							
10	1	121850-51960	O-RING	1							
11	1	22190-080002	WASHER, SEAL 8	5							
12	1	24311-000320	O-RING, 1AP32.0	1							
13	1	26106-080162	BOLT, M8X 16 PLATED	4							
14	1	26106-080162	BOLT, M8X 16 PLATED	3							
15	1	26106-080302	BOLT, M8X 30 PLATED	1							
16	1	26106-080552	BOLT, M8X 55 PLATED	10							
17	1	26106-080852	BOLT, M8X 85 PLATED	3							
18	1	26306-080002	NUT, M8	3							
19	1	124240-01871	COVER, PUMP	1							
20	1	129C26-01890	GASKET, HO-P	1							
21	1	26106-080162	BOLT, M8X 16 PLATED	4							
22	1	121023-01551	COVER	1							
23	1	24341-000240	O-RING, 1AS24.0	1							
24	1	26106-060162	BOLT, M6X 16 PLATED	2							

Fig.3. FLYWHEEL HOUSING & OIL SUMP

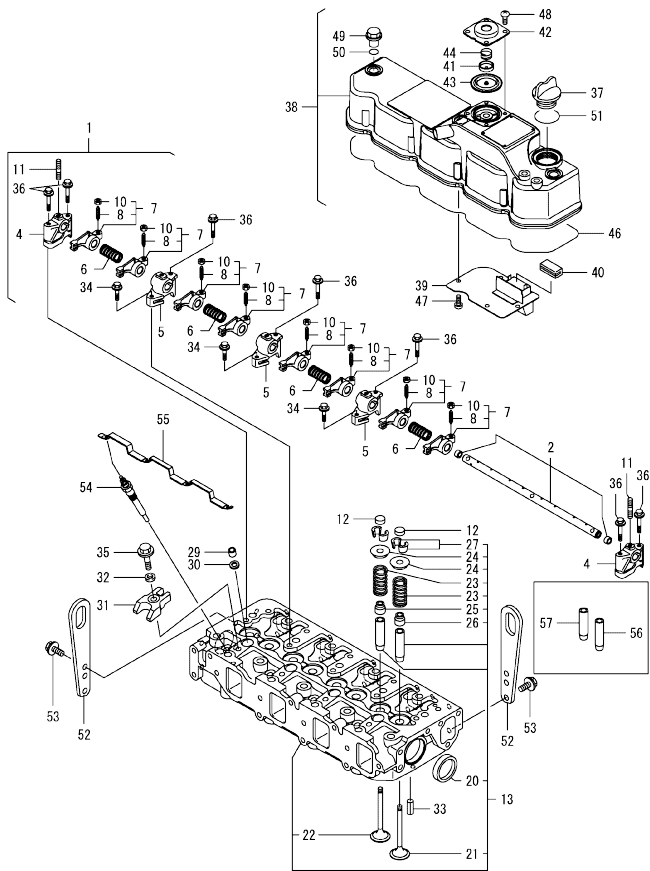


(A)=4TNV88-ZMZL  
(B)=  
(C)=

(D)=  
(E)=  
(F)=

No.	Lev.	Parts No.	Description	Q'ty						I	R
				(A)	(B)	(C)	(D)	(E)	(F)		
1	1	129100-01580	PIN, PARALLEL 8X16	2							
2	1	129612-01600	HOUSING, FLYWHEEL	1							
3	1	119620-01750	CAP	1							
4	1	26206-100252	BOLT, M10X 25 PLATED	6							
5	1	26206-100302	BOLT, M10X 30 PLATED	4							
6	1	129400-01730	SPACER, OIL-PAN	1							
7	1	129688-01780	OIL PAN ASSY, DEEP	1							
8	2	119640-01640	PLUG, DRAIN M22	1							
10	2	22190-220002	WASHER, SEAL 22	1							
11	1	26106-080162	BOLT, M8X 16 PLATED	4							
12	1	26106-080252	BOLT, M8X 25 PLATED	2							
13	1	26106-080452	BOLT, M8X 45 PLATED	20							
14	1	26106-080502	BOLT, M8X 50 PLATED	4							
15	1	129100-01580	PIN, PARALLEL 8X16	2							
16	1	129648-01600	CASE ASSY, OIL SEAL	1							
18	2	129648-01780	SEAL, OIL	1							
19	1	129486-01670	BOLT, M8X30	6							
20	1	26106-080352	BOLT, M8X 35 PLATED	3							

Fig.4. CYLINDER HEAD & BONNET



(A)=4TNV88-ZMZL  
(B)=  
(C)=

(D)=  
(E)=  
(F)=

No.	Lev.	Parts No.	Description	Q'ty						I	R
				(A)	(B)	(C)	(D)	(E)	(F)		
1	1	129601-11241	SHAFT ASSY, ROCKER	1							
2	2	129601-11251	SHAFT, ROCKER ARM	1							
4	2	119802-11260	SUPPORT, ROCKER ARM	2							
5	2	119802-11270	SUPPORT, ROCKER ARM	3							
6	2	129150-11280	SPRING, ROCKER	4							
7	2	129004-11650	ARM ASSY, ROCKER	8							
8	3	129150-11230	SCREW, VALVE ADJUST	8							
10	3	129150-11750	NUT, M8	8							
11	2	26226-080182	STUD, M8X 18	3							
12	1	129150-11370	CAP, VALVE	8							
13	1	129688-11700	HEAD ASSY, CYLINDER	1							
20	2	27241-400000	PLUG, 40	2							
21	2	129005-11100	VALVE, SUCTION	4							
22	2	129100-11112	VALVE, EXHAUST	4							
23	2	129795-11120	SPRING, VALVE	8							
24	2	129795-11180	RETAINER, SPRING	8							
25	2	121400-11340	SEAL, VALVE STEM	4							
26	2	124460-11340	SEAL, VALVE STEM	4							
27	2	27310-080001	COTTER, 8	8							
29	1	119802-11870	PROTECTOR, NOZZLE	4							
30	1	119625-11880	SEAT, NOZZLE	4							
31	1	129004-11900	RETAINER, NOZZLE	4							
32	1	120270-54410	WASHER, INJECTOR	4							
33	1	22351-060012	PIN, SPRING 6.0X12	2							
34	1	26106-080252	BOLT, M8X 25 PLATED	3							
35	1	26106-080352	BOLT, M8X 35 PLATED	4							
36	1	26106-080502	BOLT, M8X 50 PLATED	7							
37	1	124160-01751	CAP, FILLER	1							
38	1	129601-11350	BONNET ASSY, HEAD	1							
39	2	129004-03010	PLATE, BAFFLE	1							
40	2	129150-03070	BAFFLE, BREATHER	1							
41	2	119802-03110	PLATE, DIAPHRAGM	1							
42	2	119802-03121	COVER, DIAPHRAGM	1							
43	2	119802-03130	DIAPHRAGM	1							
44	2	119802-03141	SPRING, DIAPHRAGM	1							
46	2	129601-11310	GASKET, BONNET	1							
47	2	22857-500100	SCREW, 5X10	4							
48	2	22857-500100	SCREW, 5X10	4							
49	1	124160-11360	KNOB	3							
50	1	24311-000120	O-RING, 1AP12.0	3							
51	1	24311-000320	O-RING, 1AP32.0	1							
52	1	129900-07900	LIFTER, ENGINE	2							
53	1	26106-080162	BOLT, M8X 16 PLATED	4							
54	1	129008-77800	PLUG, GLOW	4							
55	1	129604-77821	CONNECTOR, GLOW PLUG	1							
56	1	120130-11860	GUIDE, VALVE	4							1
57	1	129150-11810	GUIDE, VALVE	4							1

Remarks  
(1)Spare parts.

Fig.5. SUCTION MANIFOLD

(A)=4TNV88-ZMZL  
(B)=  
(C)=

(D)=  
(E)=  
(F)=

No.	Lev.	Parts No.	Description	Q'ty					
				(A)	(B)	(C)	(D)	(E)	(F)
1	1	129601-03080	HOSE ASSY, BREATHER	1					
2	2	129410-03990	CLAMP, HOSE 21.5	2					
3	1	129601-12100	MANIFOLD, AIR INTAKE	1					
4	1	129407-12110	GASKET, MANIFOLD	1					
5	1	26106-080202	BOLT, M8X 20 PLATED	6					
6	1	26106-080802	BOLT, M8X 80 PLATED	1					
7	1	129486-12581	JOINT, MANIFOLD	1					
8	1	129150-77511	GASKET, AIR HEATER	1					
9	1	26106-080202	BOLT, M8X 20 PLATED	4					

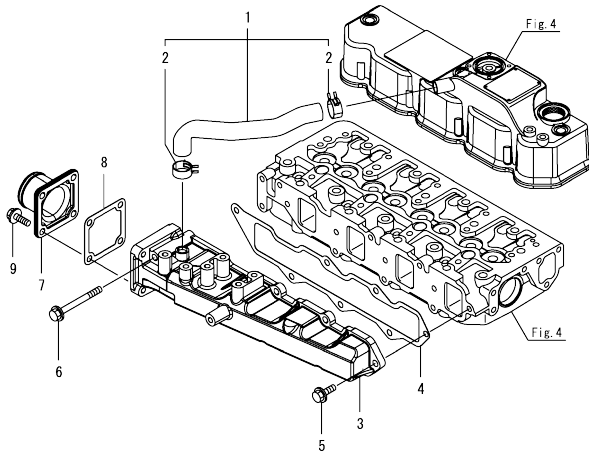




Fig.6. EXHAUST MANIFOLD

(A)=4TNV88-ZMZL  
(B)=  
(C)=

(D)=  
(E)=  
(F)=

No.	Lev.	Parts No.	Description	Q'ty						I	R
				(A)	(B)	(C)	(D)	(E)	(F)		
1	1	129640-13109	MANIFOLD, EXHAUST	1							
2	1	129550-13110	GASKET, EXH.MANIFOLD	1							
3	1	123900-13610	BOLT, STUD M8X80	2							
4	1	129E00-13640	BOLT, M8X80 10.9T	6							
5	1	119131-18320	BOLT, STUD M8X22	4							
6	1	26306-080002	NUT, M8	2							

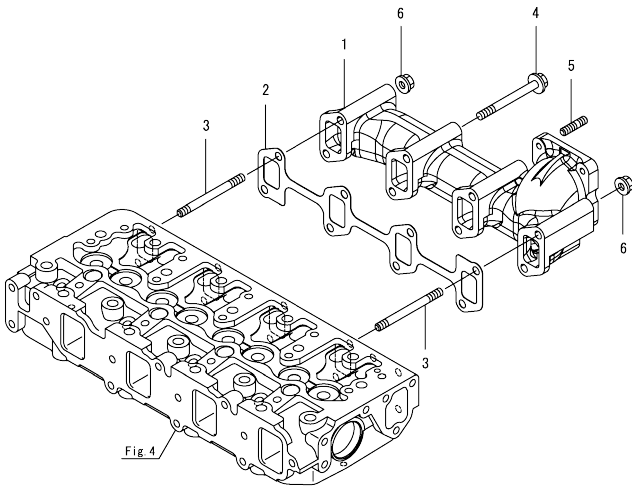
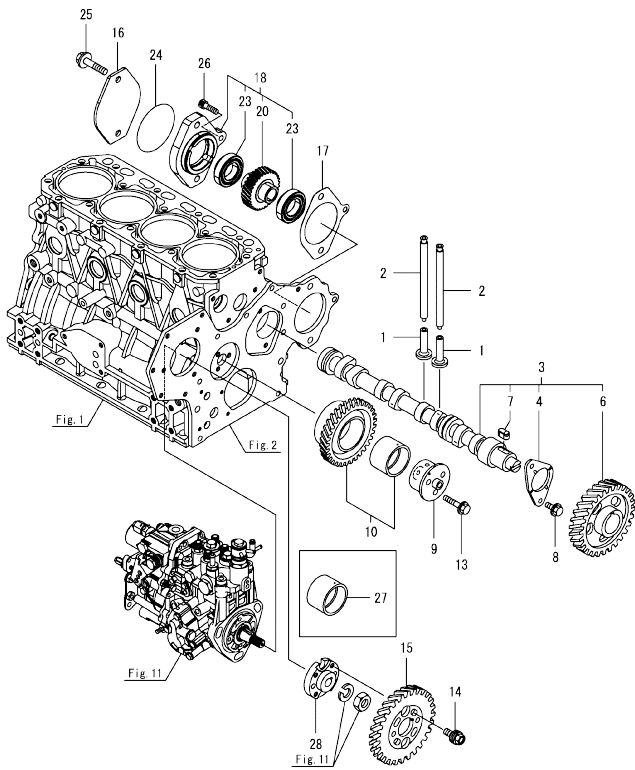


Fig.7. CAMSHAFT & DRIVING GEAR



(A)=4TNV88-ZMZL  
(B)=  
(C)=

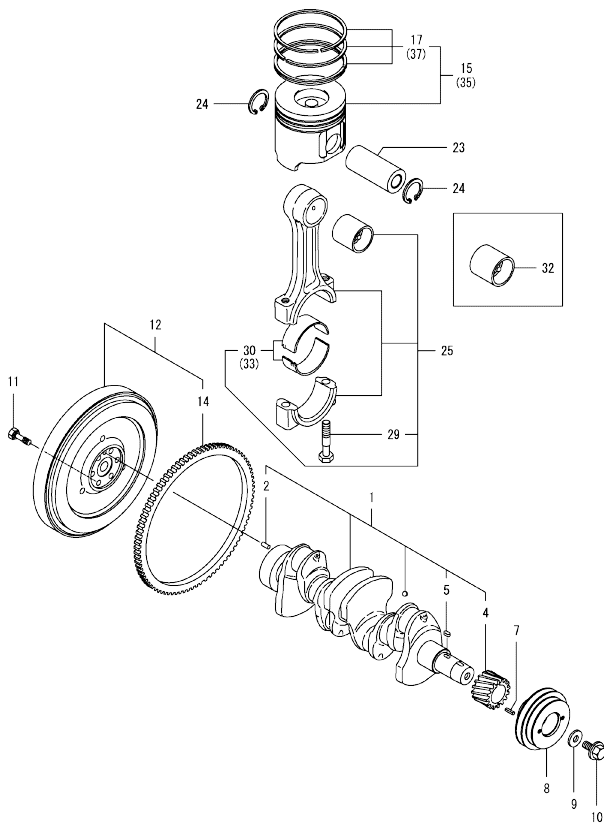
(D)=  
(E)=  
(F)=

No.	Lev.	Parts No.	Description	Q'ty						I	R
				(A)	(B)	(C)	(D)	(E)	(F)		
1	1	129150-14200	TAPPET	8							
2	1	129150-14400	PUSH-ROD, L=178	8							
3	1	729402-14580	CAMSHAFT ASSY	1							
4	2	129150-02450	BEARING, THRUST	1							
6	2	129150-14101	GEAR, CAMSHAFT	1							
7	2	22512-070140	KEY, 7X 14	1							
8	1	26106-080142	BOLT, M8X 14 PLATED	2							
9	1	119803-25050	SHAFT, IDLE	1							
10	1	119802-25101	GEAR ASSY, IDLE	1							
13	1	26106-080402	BOLT, M8X 40 PLATED	3							
14	1	129150-25301	BOLT	4							
15	1	119802-25901	GEAR, PUMP	1							
16	1	121023-26071	COVER, PUMP	1							
17	1	171353-26081	GASKET	1							
18	1	129484-26200	DRIVE ASSY, PUMP	1							
20	2	129484-26210	GEAR ASSY	1							
23	2	24105-060064	BEARING, BALL 6006Z	2							
24	1	24321-000850	O-RING, 1AG85.0	1							
25	1	26106-100452	BOLT, M10X 45 PLATED	2							
26	1	26450-080282	BOLT, M8X 28	1							
27	1	119802-25071	BUSH, IDLE GEAR	1							1
28	1	158552-51151	FLANGE	1							

Remarks

(1)Spare parts.

Fig.8. CRANKSHAFT & PISTON



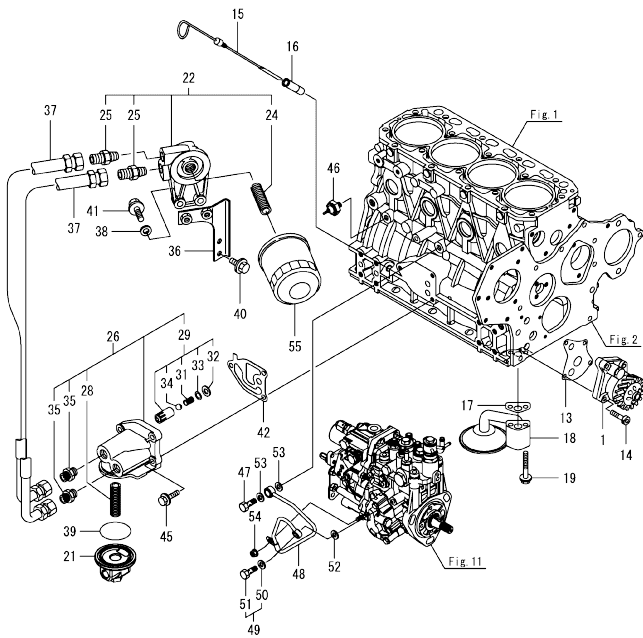
(A)=4TNV88-ZMZL  
(B)=  
(C)=

(D)=  
(E)=  
(F)=

No.	Lev.	Parts No.	Description	Q'ty						I	R
				(A)	(B)	(C)	(D)	(E)	(F)		
1	1	129604-21000	CRANKSHAFT ASSY	1							
2	2	129100-01580	PIN, PARALLEL 8X16	1							
4	2	119803-21200	GEAR, CRANKSHAFT	1							
5	2	22512-070140	KEY, 7X 14	1							
7	1	22351-030010	PIN, SPRING 3.0X10	1							
8	1	119852-21660	V-PULLEY, CRANKSHAFT	1							
9	1	129795-21661	WASHER	1							
10	1	121850-21680	BOLT	1							
11	1	121111-21501	BOLT, FLYWHEEL	6							
12	1	129489-21590	FLYWHEEL ASSY	1							
14	2	119865-21600	GEAR, RING Z=116	1							
15	1	129005-22080	PISTON ASSY	4							
17	2	129005-22500	RING SET, PISTON	4							
23	1	129202-22300	PIN, PISTON D26 L70	4							
24	1	22252-000260	RING, 26	8							
25	1	729402-23100	ROD ASSY, CONNECTING	4							
29	2	121550-23200	BOLT, CONNECTING ROD	8							
30	2	129150-23601	BEARING, CRANK PIN	4							
32	1	129100-23910	BEARING, PISTON PIN	4							1
33	1	129150-23611	BEARING, 0.25 US	4							2
35	1	129005-22900	PISTON ASSY, 0.25 OS	4							3
37	2	129005-22950	RING SET, 0.25 OS	4							3

Remarks  
(1) Spare parts.  
(2) Under-sized (U.S.=0.25) parts.  
(3) Over-sized (O.S.=0.25) parts.

Fig.9. LUB. OIL SYSTEM



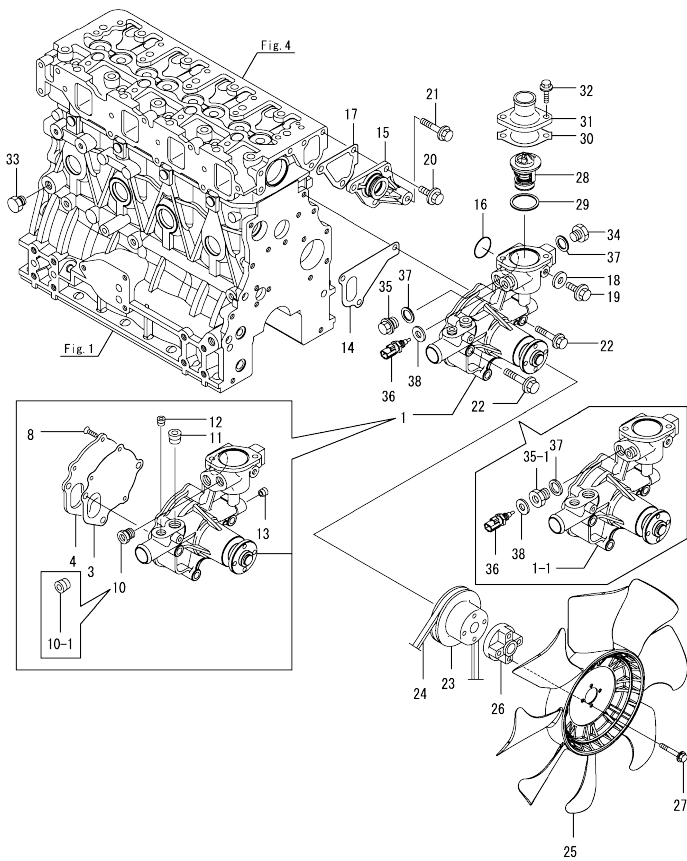
(A)=4TNV88-ZMZL  
(B)=  
(C)=

(D)=  
(E)=  
(F)=

No.	Lev.	Parts No.	Description	Q'ty						I	R
				(A)	(B)	(C)	(D)	(E)	(F)		
1	1	129407-32001	PUMP ASSY, OIL	1							
13	1	129150-32020	GASKET, PUMP	1							
14	1	26450-060252	BOLT, M6X 25	4							
15	1	129004-34802	DIPSTICK, OIL	1							
16	1	121520-34810	GUIDE, DIPSTICK	1							
17	1	129150-35042	GASKET, INLET PIPE	1							
18	1	129436-35070	PIPE ASSY, OIL INLET	1							
19	1	26106-080552	BOLT, M8X 55 PLATED	2							
21	1	129238-35111	PLUG	1							
22	1	129238-35130	BRACKET, FILTER	1							
24	2	129100-35140	STUD	1							
25	2	129953-39500	ADAPTER, R-G1/2	2							
25-1	2	129953-39501	ADAPTER	2							N
(A=E164557)											
26	1	129C22-35320	BRACKET ASSY, FILTER	1							
28	2	129100-35140	STUD	1							
29	2	129553-35500	VALVE ASSY, BYPASS	1							
31	3	129553-35520	SPRING, VALVE	1							
32	3	129553-35530	RETAINER, SPRING	1							
33	3	129553-35540	SHIM	1							
34	3	24190-130002	BALL, STEEL 13/32	1							
35	2	129953-39500	ADAPTER, R-G1/2	2							
35-1	2	129953-39501	ADAPTER	2							N
(A=E164557)											
36	1	129238-35210	BRACKET, FILTER	1							
37	1	129238-39100	PIPE, FILTER	2							
38	1	22137-100000	WASHER, 10	2							
39	1	24321-000600	O-RING, 1AG60.0	1							
40	1	26106-080122	BOLT, M8X 12 PLATED	2							
41	1	26106-100352	BOLT, M10X 35 PLATED	2							
42	1	129103-35122	GASKET, BRACKET	1							
45	1	26106-080252	BOLT, M8X 25 PLATED	3							
46	1	119761-39450	SWITCH, HYDRAULIC	1							
47	1	124160-39140	BOLT, PIPE JOINT M10	1							
48	1	119802-39450	PIPE ASSY, OIL	1							
49	1	129005-59830	BOLT ASSY, JOINT M8	1							
50	2	22190-080002	WASHER, SEAL 8	1							
51	2	23857-030000	BOLT, JOINT 3	1							
52	1	22190-080002	WASHER, SEAL 8	1							
53	1	22190-100002	WASHER, SEAL 10	2							
54	1	26366-060002	NUT, M6	1							
55	1	119005-35151	FILTER, OIL D80X100	1							1

Remarks  
(1) Spare parts.

Fig.10. COOLING WATER SYSTEM



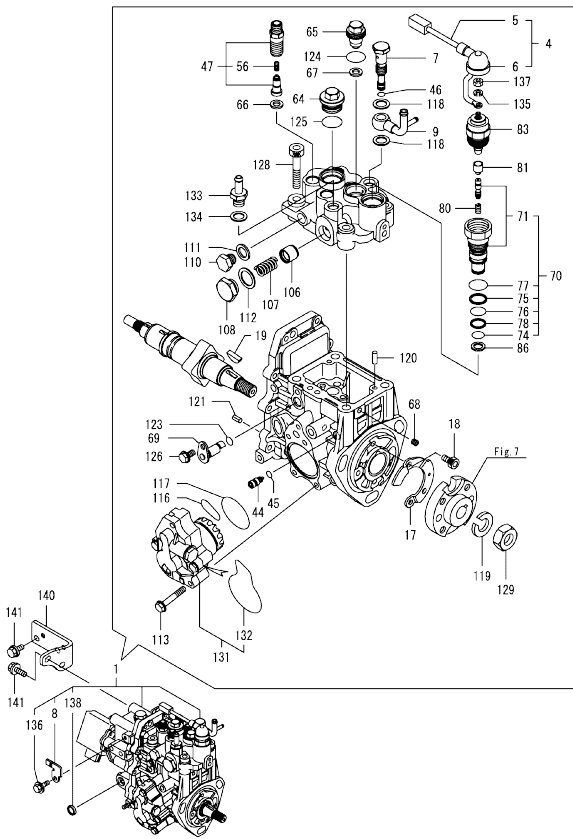
No.	Lev.	Parts No.	Description	Q'ty						I	R
				(A)	(B)	(C)	(D)	(E)	(F)		
1	1	129632-42000	PUMP ASSY, WATER	1							
1-1	1	129001-42004 (A=E105636)	PUMP ASSY, WATER	1							S
3	2	129100-42051	GASKET, WATER PUMP	1							
4	2	129100-42121	PLATE, PUMP	1							
8	2	121850-42410	SCREW	3							
10	2	129263-49350	JOINT, SENSOR	1							
10-1	2	129916-49740 (A=E105636)	PLUG, R3/8	1							S
11	2	129916-49740	PLUG, R3/8	1							
12	2	23875-020000	PLUG, R02	1							
13	2	23876-010000	PLUG, R01	1							
14	1	129486-42021	GASKET, WATER PUMP	1							
15	1	129004-42040	JOINT, WATER PIPE	1							
16	1	129486-42140	O-RING, G30	1							
17	1	124395-49840	GASKET, THERMOSTAT	1							
18	1	23414-080000	GASKET, 8X1.0	1							
19	1	26106-080122	BOLT, M8X 12 PLATED	1							
20	1	26106-080162	BOLT, M8X 16 PLATED	3							
21	1	26106-080452	BOLT, M8X 45 PLATED	1							
22	1	26106-080602	BOLT, M8X 60 PLATED	3							
23	1	129403-42380	V-PULLEY, PUMP	1							
24	1	129258-42290	V-BELT, A36.5	1							
25	1	129436-44740	FAN, COOLING D=410	1							
26	1	171353-44760	SPACER, FAN 25MM	1							
27	1	26106-060402	BOLT, M6X 40 PLATED	4							
28	1	129155-49801	THERMOSTAT, 71C	1							
29	1	129150-49811	GASKET, THERMOSTAT	1							
30	1	129795-49551	GASKET, COVER	1							
31	1	129350-49530	COVER, THERMOSTAT	1							
32	1	26106-080222	BOLT, M8X 22 PLATED	2							
33	1	171056-49120	PLUG, DRAIN R1/4	1							
34	1	121450-42450	PLUG, M16	1							
35	1	121450-42450	PLUG, M16	1							
35-1	1	129974-49350 (A=E105636)	JOINT, SENSOR	1							S
36	1	129927-44900	SENSOR, TEMPERATURE	1							
37	1	124465-44950	GASKET, 16	2							
38	1	22190-120002	WASHER, SEAL 12	1							

N:Old  $\frac{100}{100}$  New, Q:Old  $\frac{100}{100}$  New, R:Old  $\frac{100}{100}$  New, S:Old  $\frac{100}{100}$  New, W:Add, Z:Discontinued, F:Interchangeable by set, K:Qty Change  
Copyright (C) 2017 YANMAR GLOBAL CS CO., LTD. All Rights Reserved.

Fig.11. FUEL INJECTION PUMP

(A)=4TNV88-ZMZL  
(B)=  
(C)=

(D)=  
(E)=  
(F)=



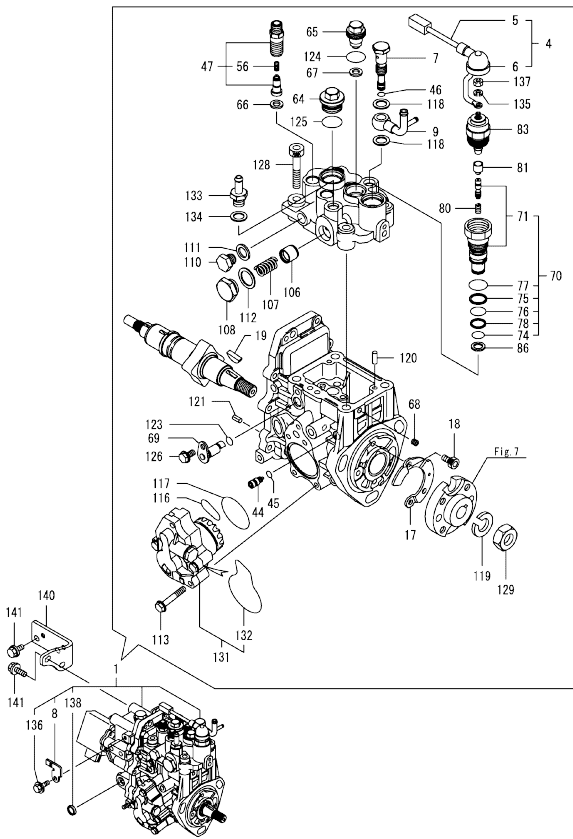
No.	Lev.	Parts No.	Description	Q'ty						I	R
				(A)	(B)	(C)	(D)	(E)	(F)		
1	1	729653-51310	FIE ASSY	1							1
4	2	129927-51650	HARNES ASSY, WIRE	1							
5	3	129927-51660	HARNES	1							
6	3	129263-77941	CAP, RUBBER	1							
7	2	158601-51650	JOINT, OVERFLOW	1							
8	2	129927-51670	BRACKET	1							
9	2	158552-51670	JOINT, OVERFLOW	1							
17	2	129008-51900	COVER, PUMP	1							
18	2	129008-51920	BOLT, M6X10	2							
19	2	119802-51090	KEY, FEATHER 4X16	1							
44	2	158600-51270	STOPPER, TAPPET	1							
45	2	158563-51281	O-RING, 4D S6	1							
46	2	158563-51281	O-RING, 4D S6	1							
47	2	129008-51390	VALVE ASSY, DELIVERY	4							
56	3	158563-51330	SPRING, DELIVERY	4							
64	2	158601-51550	PLUG, M22	1							
65	2	119802-51560	PLUG, BARREL M14	1							
66	2	158552-51571	GASKET, BARREL PLUG	4							
67	2	158552-51571	GASKET, BARREL PLUG	1							
68	2	158557-51570	PLUG, RACK	1							
69	2	158552-51580	LIFTER, LINK	1							
70	2	129657-51590	TIMER ASSY	1							
71	3	129657-51600	TIMER ASSY	1							
74	3	158553-51670	O-RING, PUMP TIMER	1							
75	3	119802-51680	RING, BACKUP	1							
76	3	119802-51690	O-RING, 1016	1							
77	3	24356-190200	O-RING, 4D19020	1							
78	3	24372-000150	RING, BACK UP T2P15	1							
80	2	119852-51630	SPRING, TIMER	1							
81	2	119852-51640	CAP, TIMER	1							
83	2	119852-51650	VALVE ASSY, SOLENOID	1							
86	2	158553-51680	GASKET, TIMER	1							
106	2	158601-51770	PISTON, ACCUMULATOR	1							
107	2	158552-51781	SPRING, ACCUMULATOR	1							
108	2	158601-51790	PLUG, ACCUMULATOR	1							
110	2	158553-51930	PLUG, M12	1							
111	2	22190-120002	WASHER, SEAL 12	1							
112	2	22190-180002	WASHER, SEAL 18	1							
113	2	158553-51770	BOLT	4							
116	2	158552-52311	O-RING, FEED PUMP	1							
117	2	158552-52400	O-RING, 4E S42	1							
118	2	22190-120002	WASHER, SEAL 12	2							
119	2	22217-140000	WASHER, SPRING 14	1							
120	2	22312-050140	PIN, PARALLEL 5X14	2							
121	2	22351-050010	PIN, SPRING 5.0X10	2							
123	2	24311-000070	O-RING, 1AP7.0	1							
124	2	24356-190180	O-RING, 4D19018	1							
125	2	24356-190200	O-RING, 4D19020	1							
126	2	26106-060102	BOLT, M6X 10 PLATED	1							
128	2	26450-080452	BOLT, M8X 45	4							
129	2	26776-140002	NUT, LOCK M14	1							

Remarks  
 (1)Governor(Fig.12) is incorporated in this Fuel Injection Pump(No.1).  
 (1)Eco Pump  
 Make sure to update the engines ECU information when replacing the Eco Pump.  
 Failing to do so will result in engine malfunction.

Fig.11. FUEL INJECTION PUMP

(A)=4TNV88-ZMZL  
(B)=  
(C)=

(D)=  
(E)=  
(F)=



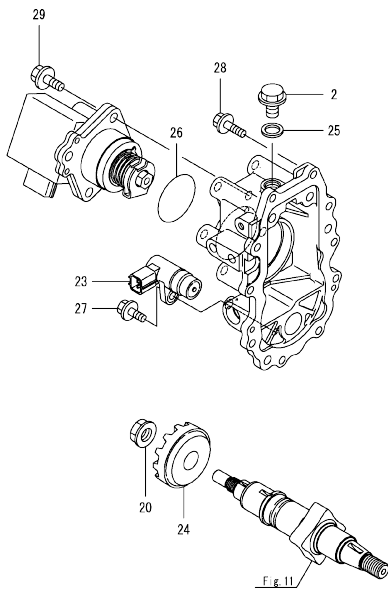
No.	Lev.	Parts No.	Description	Q'ty					
				(A)	(B)	(C)	(D)	(E)	(F)
131	2	158552-52100	PUMP ASSY, FUEL FEED	1					
132	3	158552-52500	O-RING, PUMP INNER	1					
133	2	119934-59910	JOINT, PIPE	1					
134	2	22190-120002	WASHER, SEAL 12	1					
135	2	22217-050000	WASHER, SPRING 5	1					
136	2	26106-060122	BOLT, M6X 12 PLATED	1					
137	2	26716-050002	NUT, M5	1					
138	2	27241-160000	PLUG, 16	1					
140	1	129263-51251	RETAINER, FUEL PUMP	1					
141	1	26106-080162	BOLT, M8X 16 PLATED	4					

Remarks

(1)Governor(Fig.12) is incorporated in this Fuel Injection Pump(No.1).  
(1)Eco Pump  
Make sure to update the engines ECU information when replacing the Eco Pump.  
Failing to do so will result in engine malfunction.

OCD50-M03000 ENGINE  
 Fig.12. GOVERNOR

OCD50-M03000 Fig.12



(A)=4TNV88-ZMZL  
 (B)=  
 (C)=

(D)=  
 (E)=  
 (F)=

No.	Lev.	Parts No.	Description	Q'ty						
				(A)	(B)	(C)	(D)	(E)	(F)	
2	2	158553-51930	PLUG, M12	1						
20	2	129008-61301	NUT, SUPPORT	1						
23	2	158557-61720	SENSOR, ROTATION	1						
24	2	158553-61780	GEAR, SENSOR	1						
25	2	22190-120002	WASHER, SEAL 12	3						
26	2	24341-000480	O-RING, 1AS48.0	1						
27	2	26106-060162	BOLT, M6X 16 PLATED	1						
28	2	26106-060202	BOLT, M6X 20 PLATED	10						
29	2	26106-080252	BOLT, M8X 25 PLATED	3						

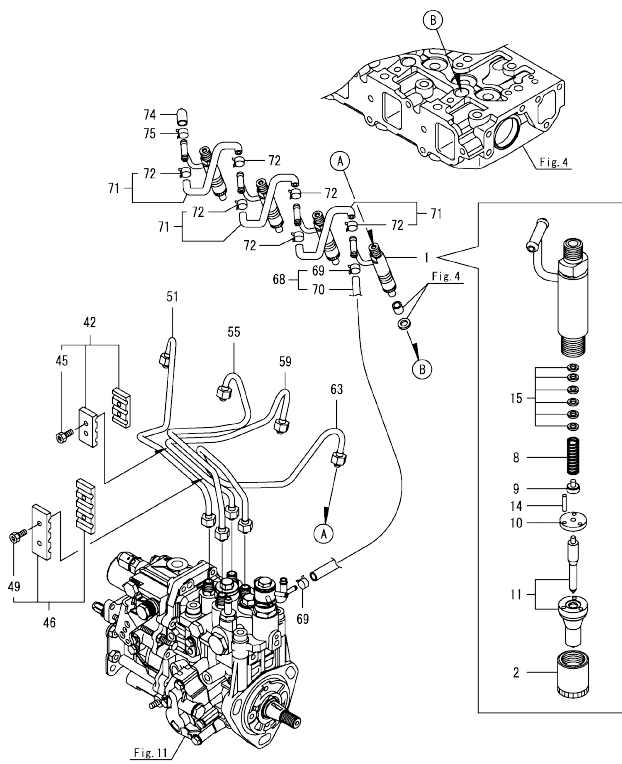
Remarks

\* This figure(Governor) is incorporated in the Fuel Injection Pump(Fig.11).

N:Old  $\frac{100}{100}$  New, Q:Old  $\frac{100}{100}$  New, R:Old  $\frac{100}{100}$  New, S:Old  $\frac{100}{100}$  New, W:Add, Z:Discontinued, F:Interchangeable by set, K:Q'ty Change  
 Copyright (C) 2017 YANMAR GLOBAL CS CO., LTD. All Rights Reserved.



Fig.13. FUEL INJECTION VALVE



(A)=4TNV88-ZMZL  
(B)=  
(C)=

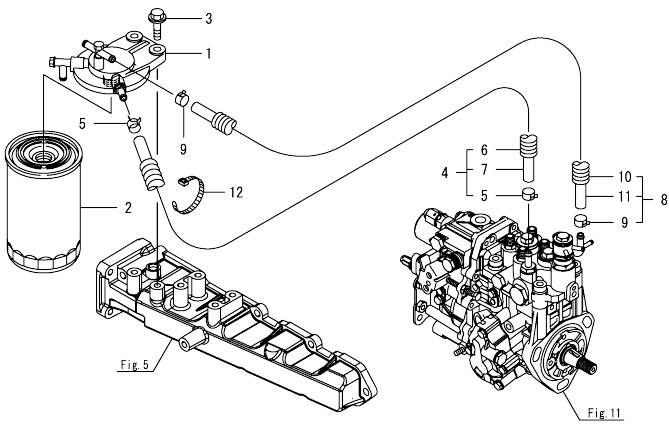
(D)=  
(E)=  
(F)=

No.	Lev.	Parts No.	Description	Q'ty						I	R
				(A)	(B)	(C)	(D)	(E)	(F)		
1	1	729008-53200	VALVE ASSY,INJECTION	4							
2	2	114250-53080	NUT, NOZZLE	4							
8	2	114250-53120	SPRING, NOZZLE	4							
9	2	114250-53130	SEAT, SPRING	4							
10	2	114250-53140	SPACER	4							
11	2	129008-53200	VALVE ASSY,INJECTION	4							
14	2	114250-53210	PIN	8							
15	2	119803-53400	SHIM SET	4							1
42	1	129150-59120	RETAINER, PIPE	1							
45	2	129150-59131	BOLT, M4X14	2							
46	1	129550-59120	RETAINER, PIPE	1							
49	2	129150-59131	BOLT, M4X14	2							
51	1	129601-59810	PIPE ASSY, INJECTION	1							
55	1	129601-59820	PIPE ASSY, INJECTION	1							
59	1	129601-59830	PIPE ASSY, INJECTION	1							
63	1	129601-59840	PIPE ASSY, INJECTION	1							
68	1	119802-59550	HOSE ASSY, RETURN	1							
69	2	124722-59050	CLAMP, HOSE 9	2							
70	2	119802-59560	HOSE, FUEL RETURN	1							
71	1	129486-59551	HOSE ASSY, RETURN	3							
72	2	124722-59050	CLAMP, HOSE 9	6							
74	1	119593-59581	CAP	1							
75	1	124060-77680	CLAMP, HOSE 10	1							

Remarks

(1)Spare parts.

Fig.14. FUEL PIPE

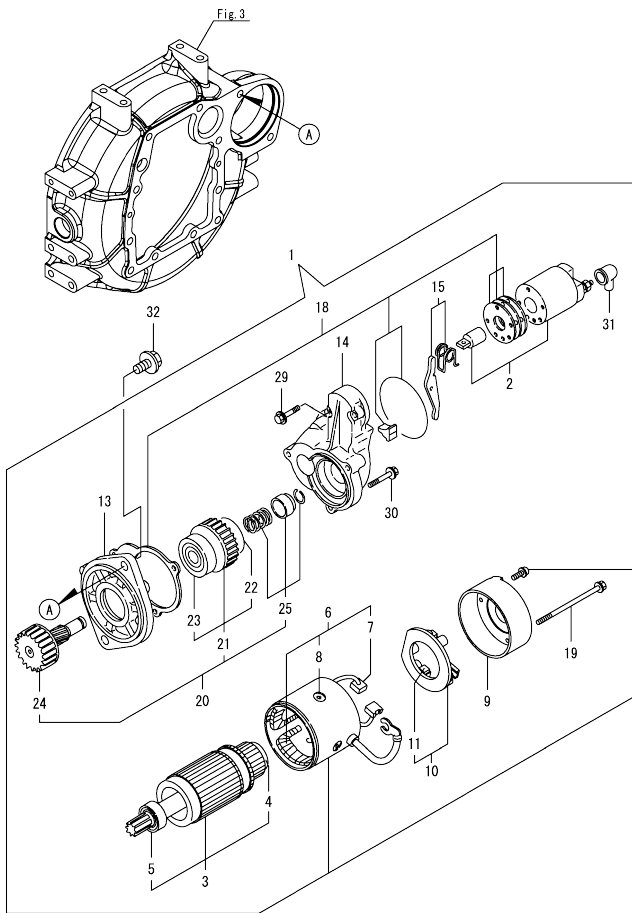


(A)=4TNV88-ZMZL  
(B)=  
(C)=

(D)=  
(E)=  
(F)=

No.	Lev.	Parts No.	Description	Q'ty					
				(A)	(B)	(C)	(D)	(E)	(F)
1	1	129004-55612	BRACKET, FILTER	1					
2	1	129907-55801	FILTER, FUEL	1					
3	1	26106-080302	BOLT, M8X 30 PLATED	2					
4	1	129630-59010	HOSE ASSY, FUEL	1					
5	2	124766-59050	CLAMP, HOSE 11.5	2					
6	2	129961-59110	TUBE, CORRUGATED 15	1					
7	2	105025-59560	HOSE, FUEL	1					
8	1	129956-59010	HOSE ASSY, FUEL	1					
9	2	124766-59050	CLAMP, HOSE 11.5	2					
10	2	129957-59101	TUBE, CORRUGATED 15	1					
11	2	105225-59511	HOSE, FUEL	1					
12	1	121750-59890	BAND, NYLON	1					

Fig.15. STARTER MOTOR

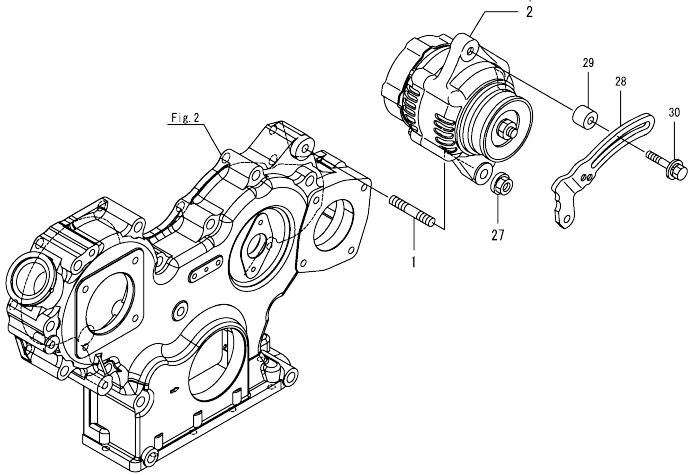
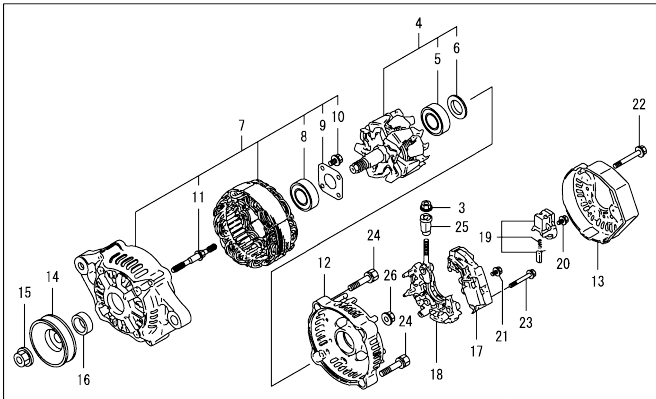


(A)=4TNV88-ZMZL  
(B)=  
(C)=

(D)=  
(E)=  
(F)=

No.	Lev.	Parts No.	Description	Q'ty						I	R
				(A)	(B)	(C)	(D)	(E)	(F)		
1	1	129136-77011	STARTER ASSY	1							
2	2	129136-77310	SWITCH ASSY	1							
3	2	129900-77400	ARMATURE ASSY	1							
4	3	X2130350900	BEARING, BALL	1							
5	3	X2114255110	BEARING, BALL	1							
6	2	129900-77440	COIL ASSY, FIELD	1							
7	3	129900-77450	BRUSH	2							
8	3	171008-77450	SCREW, CORE SET	4							
9	2	129900-77460	COVER	1							
10	2	129900-77480	HOLDER ASSY, BRUSH	1							
11	3	129900-77500	BRUSH	2							
13	2	171008-77510	CASE, GEAR	1							
14	2	129136-77520	HOUSING, STARTOR	1							
15	2	171008-77540	LEVER SET	1							
18	2	129400-77571	COVER KIT, DUST	1							
19	2	129900-77640	BOLT, THROUGH	2							
20	2	171008-77650	PINION ASSY, W/CLUTCH	1							
21	3	X2114555500	CLUTCH ASSY	1							
22	4	X2114955020	BEARING, BALL	1							
23	4	X2240410100	BEARING, BALL	1							
24	3	171008-77660	SHAFT, PINION	1							
25	3	171008-77670	STOPPER SET, PINION	1							
29	2	26106-060322	BOLT, M6X 32 PLATED	2							
30	2	26106-060402	BOLT, M6X 40 PLATED	3							
31	2	171008-77750	COVER, TERMINAL	1							
32	1	26106-120252	BOLT, M12X 25 PLATED	2							

Fig.16. GENERATOR

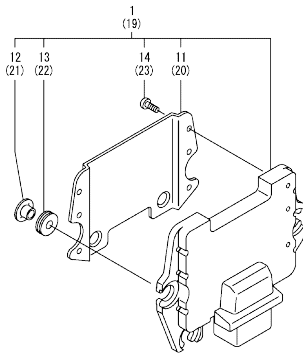


(A)=4TNV88-ZMZL  
(B)=  
(C)=

(D)=  
(E)=  
(F)=

No.	Lev.	Parts No.	Description	Q'ty						I	R
				(A)	(B)	(C)	(D)	(E)	(F)		
1	1	129795-01900	BOLT, STUD M10X33	1							
2	1	119626-77220	ALTERNATOR, 12V-55A	1							
3	2	X9490561001	NUT	1							
4	2	129052-77380	ROTOR ASSY	1							
5	3	123501-79240	BEARING, BALL	1							
6	3	119620-79250	COVER, BEARING	1							
7	2	129052-77422	FRAME ASSY	1							
8	3	119620-79200	BEARING, BALL	1							
9	3	119620-79210	RETAINER	1							
10	3	119620-79220	SCREW	4							
11	3	119620-79230	BOLT, STUD	2							
12	2	128401-77440	FRAME	1							
13	2	119626-77450	COVER	1							
14	2	119620-77461	PULLEY, GENERATOR	1							
15	2	119620-77471	NUT	1							
16	2	119620-77490	COLLAR	1							
17	2	129423-77720	REGULATOR ASSY	1							
18	2	129052-79260	HOLDER	1							
19	2	129052-79270	HOLDER, BRUSH	1							
20	2	119620-79290	SCREW	6							
21	2	119620-79300	SCREW	1							
22	2	119620-79310	BOLT	3							
23	2	119620-79320	SCREW	2							
24	2	119620-79330	BOLT	2							
25	2	119620-79340	BUSH, INSULATION	1							
26	2	119620-79350	NUT	2							
27	1	26306-100002	NUT, M10	1							
28	1	129064-77330	ADJUSTER, BELT	1							
29	1	129067-77340	SPACER	1							
30	1	129972-77341	BOLT, ADJUST L=50	1							

Fig.17. ELECTRONIC CONTROL UNIT(ECU)



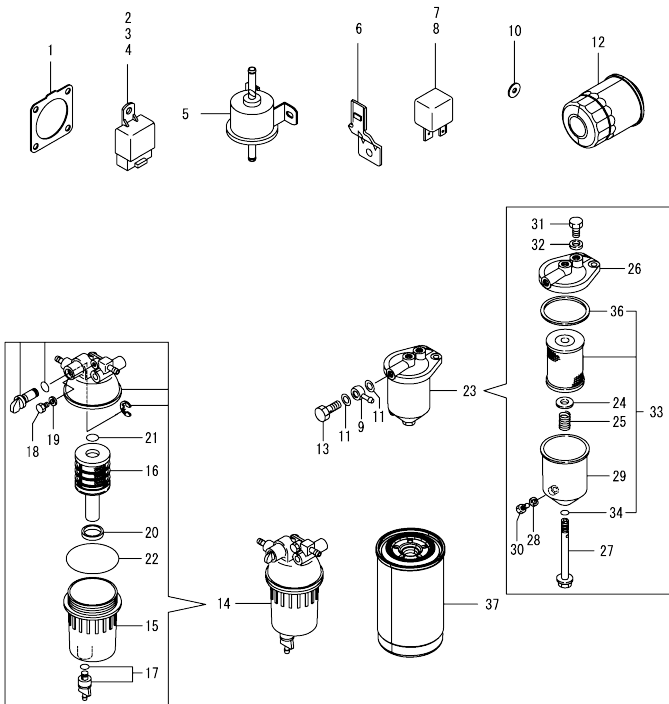
(A)=4TNV88-ZMZL  
(B)=  
(C)=

(D)=  
(E)=  
(F)=

No.	Lev.	Parts No.	Description	Q'ty						I	R
				(A)	(B)	(C)	(D)	(E)	(F)		
1	1	129653-75010	ECU ASSY	1							1
11	2	129927-77600	SHIELD, ECU	1							
12	2	129927-77680	COLLAR, CONTROL	3							
13	2	119578-91351	RUBBER, CUSHION	3							
14	2	22877-500080	SCREW, 5X 8	6							
19	1	129927-75901	ECU ASSY, SERVICE	1							2
20	2	129927-77600	SHIELD, ECU	1							
21	2	129927-77680	COLLAR, CONTROL	3							
22	2	119578-91351	RUBBER, CUSHION	3							
23	2	22877-500080	SCREW, 5X 8	6							

Remarks  
 (1)Eco ECU  
 This part cannot be ordered.  
 Replace the part using a Service ECU with the proper engine information installed.  
 (2)Service ECU  
 If the proper information is not installed, the engine will not operate.  
 To install proper information, go to an authorized distributor.

Fig.18. ACCESSORY



No.	Lev.	Parts No.	Description	Q'ty						I	R
				(A)	(B)	(C)	(D)	(E)	(F)		
1	1	129930-13201	GASKET, SILENCER	3							
2	1	172B02-17150	RELAY, CA TYPE C	1							
3	1	172B02-17150	RELAY, CA TYPE C	1							
4	1	172B02-17150	RELAY, CA TYPE C	1							
5	1	119225-52102	PUMP, FUEL FEED	1							
5-1	1	129612-52100	PUMP, FUEL FEED	1							N
(A=E105636)											
6	1	129927-77910	BRACKET, CONNECTOR	2							
7	1	129927-77920	RELAY, ISO 70A	1							
8	1	129927-77920	RELAY, ISO 70A	1							
9	1	121855-59880	JOINT, FUEL PIPE	2							
10	1	129927-77690	WASHER, ECU	3							
11	1	22190-140002	WASHER, SEAL 14	4							
12	1	119005-35151	FILTER, OIL D80X100	1							
13	1	23857-080000	BOLT, JOINT 8	2							
14	1	129242-55701	SEPARATOR ASSY,WATER	1							
15	2	129242-55720	CUP, SEPARATOR	1							
16	2	129242-55730	ELEMENT, FUEL FILTER	1							
17	2	129242-55740	PLUG, DRAIN	1							
18	2	129242-55750	VALVE, AIR VENT	1							
19	2	129242-55760	GASKET, PLUG	1							
20	2	129242-55770	FLOAT	1							
21	2	24311-000160	O-RING, 1AP16.0	1							
22	2	24321-000750	O-RING, 1AG75.0	1							
23	1	129065-55750	SEPARATOR ASSY,WATER	1							
24	2	123325-35160	SEAT, SPRING	1							
25	2	129065-55170	SPRING, FILTER	1							
26	2	129495-55610	BODY, STRAINER	1							
27	2	129495-55620	BOLT, CENTER	1							
28	2	123672-55760	GASKET	1							
29	2	129065-55760	CASE, SEPARATOR	1							
30	2	129065-55770	PLUG, DRAIN M8	1							
31	2	129065-55800	PLUG, M14	1							
32	2	123678-55890	GASKET, PLUG	1							
33	2	41650-502320	ELEMENT ASSY, FUEL	1							
34	3	24311-000120	O-RING, 1AP12.0	1							
36	3	123325-35140	GASKET, COVER	1							
37	1	129907-55801	FILTER, FUEL	1							

## Parts No. Index

Parts No.	Fig. No.	Ref. No.
105025-59560	14	7
105225-59511	14	11
114250-53080	13	2
114250-53120	13	8
114250-53130	13	9
114250-53140	13	10
114250-53210	13	14
119005-35151	9	55
	18	12
119131-18320	6	5
119225-52102	18	5
119578-91351	17	13
		22
119593-59581	13	74
119609-32040	2	9
119620-01750	3	3
119620-77461	16	14
119620-77471	16	15
119620-77490	16	16
119620-79200	16	8
119620-79210	16	9
119620-79220	16	10
119620-79230	16	11
119620-79250	16	6
119620-79290	16	20
119620-79300	16	21
119620-79310	16	22
119620-79320	16	23
119620-79330	16	24
119620-79340	16	25
119620-79350	16	26
119625-11880	4	30
119626-77220	16	2
119626-77450	16	13
119640-01640	3	8
119761-39450	9	46
119802-01561	2	5
119802-03110	4	41
119802-03121	4	42
119802-03130	4	43
119802-03141	4	44
119802-11260	4	4
119802-11270	4	5
119802-11870	4	29
119802-25071	7	27
119802-25101	7	10
119802-25901	7	15
119802-39450	9	48
119802-51090	11	19
119802-51560	11	65

Parts No.	Fig. No.	Ref. No.
119802-51680	11	75
119802-51690	11	76
119802-59550	13	68
119802-59560	13	70
119803-21200	8	4
119803-25050	7	9
119803-53400	13	15
119852-21660	8	8
119852-51630	11	80
119852-51640	11	81
119852-51650	11	83
119865-21600	8	14
119934-01800	2	3
119934-59910	11	133
120130-11860	4	56
120270-54410	4	32
121023-01551	2	22
121023-26071	7	16
121111-21501	8	11
121400-11340	4	25
121450-42450	10	34
		35
121520-34810	9	16
121550-23200	8	29
121750-59890	14	12
121850-21680	8	10
121850-42410	10	8
121850-51960	2	10
121855-59880	18	9
123325-35140	18	36
123325-35160	18	24
123501-79240	16	5
123672-55760	18	28
123678-55890	18	32
123900-13610	6	3
124060-01050	1	4
124060-77680	13	75
124160-01751	2	6
	4	37
124160-01910	1	6
		7
124160-11360	4	49
124160-39140	9	47
124240-01871	2	7
		19
124395-49840	10	17
124460-11340	4	26
124465-44950	10	37
124722-59050	13	69
		72

Parts No.	Fig. No.	Ref. No.
124766-59050	14	5
		9
128401-77440	16	12
129001-01250	1	5
129001-02931	1	29
129001-42004	10	1 -1
129004-03010	4	39
129004-11650	4	7
129004-11900	4	31
129004-34802	9	15
129004-42040	10	15
129004-55612	14	1
129005-11100	4	21
129005-22080	8	15
129005-22500	8	17
129005-22900	8	35
129005-22950	8	37
129005-59830	9	49
129008-51390	11	47
129008-51900	11	17
129008-51920	11	18
129008-53200	13	11
129008-61301	12	20
129008-77800	4	54
129052-77380	16	4
129052-77422	16	7
129052-79260	16	18
129052-79270	16	19
129064-77330	16	28
129065-55170	18	25
129065-55750	18	23
129065-55760	18	29
129065-55770	18	30
129065-55800	18	31
129067-77340	16	29
129100-01580	3	1
		15
129100-11112	4	22
129100-23910	8	32
129100-35140	9	24
		28
129100-42051	10	3
129100-42121	10	4
129103-35122	9	42
129136-77011	15	1
129136-77310	15	2
129136-77520	15	14
129150-01200	1	27
129150-02020	1	9

Parts No.	Fig. No.	Ref. No.
129150-02450	7	4
129150-02871	1	32
129150-02931	1	24
129150-02941	1	35
129150-03070	4	40
129150-11230	4	8
129150-11280	4	6
129150-11370	4	12
129150-11750	4	10
129150-11810	4	57
129150-14101	7	6
129150-14200	7	1
129150-14400	7	2
129150-23601	8	30
129150-23611	8	33
129150-25301	7	14
129150-32020	9	13
129150-35042	9	17
129150-49811	10	29
129150-59120	13	42
129150-59131	13	45
		49
129150-77511	5	8
129155-49801	10	28
129202-22300	8	23
129238-35111	9	21
129238-35130	9	22
129238-35210	9	36
129238-39100	9	37
129242-55701	18	14
129242-55720	18	15
129242-55730	18	16
129242-55740	18	17
129242-55750	18	18
129242-55760	18	19
129242-55770	18	20
129258-42290	10	24
129263-49350	10	10
129263-51251	11	140
129263-77941	11	6
129350-49530	10	31
129400-01730	3	6
129400-77571	15	18
129403-42380	10	23
129407-01340	1	28
129407-12110	5	4
129407-32001	9	1
129410-03990	5	2
129423-77720	16	17
129436-35070	9	18

## Parts No. Index

Parts No.	Fig. No.	Ref. No.
129436-44740	10	25
129484-26200	7	18
129484-26210	7	20
129486-01670	3	19
129486-12581	5	7
129486-42021	10	14
129486-42140	10	16
129486-59551	13	71
129489-21590	8	12
129495-55610	18	26
129495-55620	18	27
129550-13110	6	2
129550-59120	13	46
129553-35500	9	29
129553-35520	9	31
129553-35530	9	32
129553-35540	9	33
129601-03080	5	1
129601-11241	4	1
129601-11251	4	2
129601-11310	4	46
129601-11350	4	38
129601-12100	5	3
129601-59810	13	51
129601-59820	13	55
129601-59830	13	59
129601-59840	13	63
129604-01520	2	4
129604-21000	8	1
129604-77821	4	55
129612-01600	3	2
129612-52100	18	5 -1
129630-59010	14	4
129632-42000	10	1
129640-13109	6	1
129648-01600	3	16
129648-01780	3	18
129653-75010	17	1
129657-51590	11	70
129657-51600	11	71
129688-01780	3	7
129688-11700	4	13
129795-01900	16	1
129795-01950	2	8
129795-02412	1	12
129795-11120	4	23
129795-11180	4	24
129795-21661	8	9
129795-49551	10	30
129900-07900	4	52

Parts No.	Fig. No.	Ref. No.
129900-77400	15	3
129900-77440	15	6
129900-77450	15	7
129900-77460	15	9
129900-77480	15	10
129900-77500	15	11
129900-77640	15	19
129907-55801	14	2
	18	37
129916-49740	10	10 -1
	11	
129927-44900	10	36
129927-51650	11	4
129927-51660	11	5
129927-51670	11	8
129927-75901	17	19
129927-77600	17	11
	20	
129927-77680	17	12
	21	
129927-77690	18	10
129927-77910	18	6
129927-77920	18	7
	8	
129930-13201	18	1
129953-39500	9	25
	35	
129953-39501	9	25 -1
	35	-1
129956-59010	14	8
129957-59101	14	10
129961-59110	14	6
129972-77341	16	30
129974-49350	10	35 -1
129C22-35320	9	26
129C26-01890	2	20
129E00-13640	6	4
158552-51151	7	28
158552-51571	11	66
	67	
158552-51580	11	69
158552-51670	11	9
158552-51781	11	107
158552-52100	11	131
158552-52311	11	116
158552-52400	11	117
158552-52500	11	132
158553-51670	11	74
158553-51680	11	86
158553-51770	11	113

Parts No.	Fig. No.	Ref. No.
158553-51930	11	110
	12	2
158553-61780	12	24
158557-51570	11	68
158557-61720	12	23
158563-51281	11	45
	46	
158563-51330	11	56
158600-51270	11	44
158601-51550	11	64
158601-51650	11	7
158601-51770	11	106
158601-51790	11	108
171008-77450	15	8
171008-77510	15	13
171008-77540	15	15
171008-77650	15	20
171008-77660	15	24
171008-77670	15	25
171008-77750	15	31
171051-01921	1	8
171056-49120	10	33
171353-26081	7	17
171353-44760	10	26
172B02-17150	18	2
	3	
	4	
22137-100000	9	38
22190-080002	2	11
	9	50
	52	
22190-100002	9	53
22190-120002	10	38
	11	111
	118	
	134	
	12	25
22190-140002	18	11
22190-180002	11	112
22190-220002	3	10
22217-050000	11	135
22217-140000	11	119
22252-000260	8	24
22312-050140	11	120
22351-030010	8	7
22351-050010	11	121
22351-060012	4	33
22512-070140	7	7
	8	5
22857-500100	4	47

Parts No.	Fig. No.	Ref. No.
22857-500100	4	48
22877-500080	17	14
	23	
23414-080000	10	18
23857-030000	9	51
23857-080000	18	13
23875-020000	10	12
23876-010000	10	13
24105-060064	7	23
24190-130002	9	34
24311-000070	11	123
24311-000120	4	50
	18	34
24311-000160	18	21
24311-000320	2	12
	4	51
24321-000600	9	39
24321-000750	18	22
24321-000850	7	24
24341-000240	2	23
24341-000480	12	26
24356-190180	11	124
24356-190200	11	77
	125	
24372-000150	11	78
26106-060102	11	126
26106-060122	11	136
26106-060162	2	24
	12	27
26106-060202	12	28
26106-060322	15	29
26106-060402	10	27
	15	30
26106-080122	9	40
	10	19
26106-080142	7	8
26106-080162	2	13
	14	
	21	
	3	11
	4	53
	10	20
	11	141
26106-080202	5	5
	9	
26106-080222	10	32
26106-080252	3	12
	4	34
	9	45
	12	29



## Parts No. Index

Parts No.	Fig. No.	Ref. No.
26106-080302	2	15
	14	3
26106-080352	3	20
	4	35
26106-080402	7	13
26106-080452	3	13
	10	21
26106-080502	3	14
	4	36
26106-080552	2	16
	9	19
26106-080602	10	22
26106-080802	5	6
26106-080852	2	17
26106-100352	9	41
26106-100452	7	25
26106-120252	15	32
26206-100252	3	4
26206-100302	3	5
26226-080182	4	11
26306-080002	2	18
	6	6
26306-100002	16	27
26366-060002	9	54
26450-060252	9	14
26450-080282	7	26
26450-080452	11	128
26716-050002	11	137
26776-140002	11	129
27241-120000	1	13
27241-160000	11	138
27241-300000	1	14
27241-400000	4	20
27310-080001	4	27
41650-502320	18	33
729008-53200	13	1
729402-14580	7	3
729402-23100	8	25
729602-01560	1	1
729652-01500	2	1
729653-51310	11	1
X2114255110	15	5
X2114555500	15	21
X2114955020	15	22
X2130350900	15	4
X2240410100	15	23
X9490561001	16	3

Parts No.	Fig. No.	Ref. No.
-----------	----------	----------

Parts No.	Fig. No.	Ref. No.
-----------	----------	----------

Parts No.	Fig. No.	Ref. No.
-----------	----------	----------