

0CD50-M06571EN

P R E F A C E

This parts catalog is the 2nd edition of 3TNV80F-NXDKTFX for Tong Yang Moolsan Co., Ltd..

Published : February, 2021

Contents

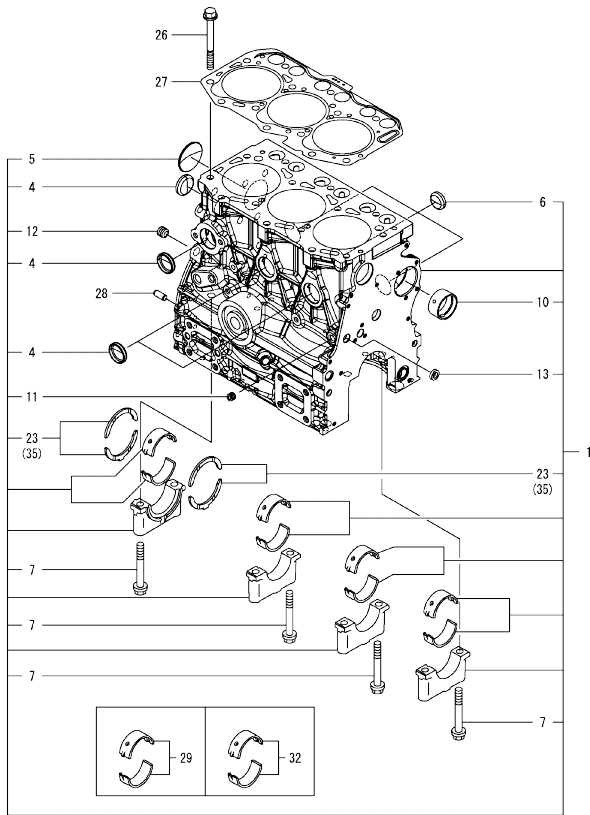
OCD50-M06571

Fig. No.	Fig. Name	Fig. No.	Fig. Name
ENGINE			
1.	CYLINDER BLOCK		
2.	GEAR HOUSING		
3.	OIL SUMP		
4.	CYLINDER HEAD & BONNET		
5.	EXHAUST MANIFOLD		
6.	CAMSHAFT & DRIVING GEAR		
7.	CRANKSHAFT & PISTON		
8.	LUB. OIL SYSTEM		
9.	COOLING WATER SYSTEM		
10.	FUEL INJECTION PUMP		
11.	GOVERNOR		
12.	FUEL INJECTION VALVE		
13.	FUEL PIPE		
14.	STARTER MOTOR		
15.	GENERATOR		
16.	ACCESORY		

Fig.1. CYLINDER BLOCK

(A)=3TNV80F-NXDKTFX
(B)=
(C)=

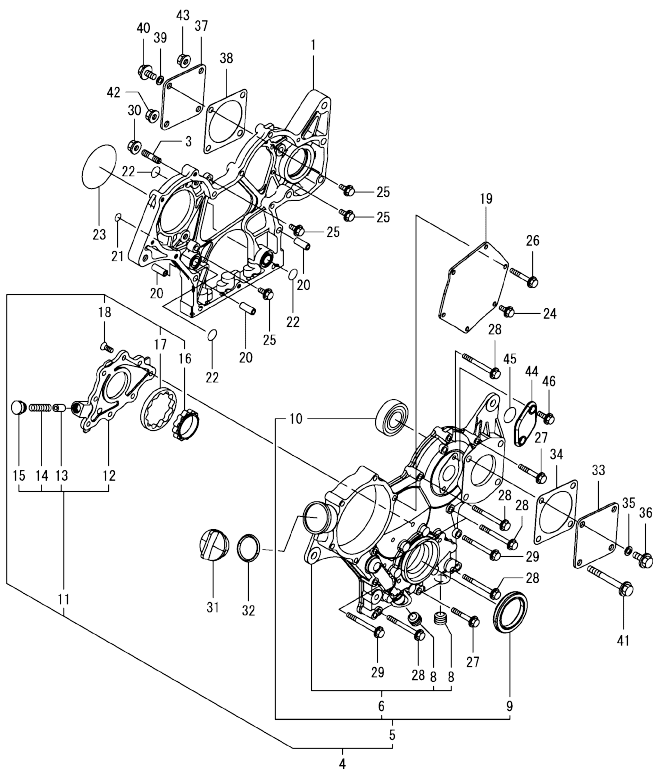
(D)=
(E)=
(F)=



No.	Lev.	Parts No.	Description	Q'ty						I	R
				(A)	(B)	(C)	(D)	(E)	(F)		
1	1	119E00-01560	BLOCK ASSY, CYLINDER	1							
4	2	105311-01090	PLUG, 30	4							
5	2	119623-01250	PLUG, 45	1							
6	2	119285-01990	PLUG, 25	3							
7	2	119620-02020	BOLT, METAL CAP	8							
10	2	119717-02411	BUSH, CAMSHAFT	1							
11	2	124060-01050	PLUG, PT1/8	1							
12	2	124160-01910	PLUG, PT1/4	1							
13	2	27241-120000	PLUG, 12	1							
23	2	119717-02930	METAL ASSY, THRUST	2							
26	1	119810-01200	BOLT, CYLINDER HEAD	14							
27	1	119E10-01330	GASKET SET, HEAD	1							
28	1	129100-01580	PIN, PARALLEL 8X16	2							
29	1	719717-02901	METAL ASSY, MAIN	4							1
32	1	719717-02911	METAL ASSY, MAIN .25	4							2
35	1	119810-02941	METAL ASSY, 0.25 OS	2							3

Remarks
(1)Spare parts.
(2)Under-sized(U.S.=0.25) parts.
(3)Over-sized(O.S.=0.25) parts.

Fig.2. GEAR HOUSING

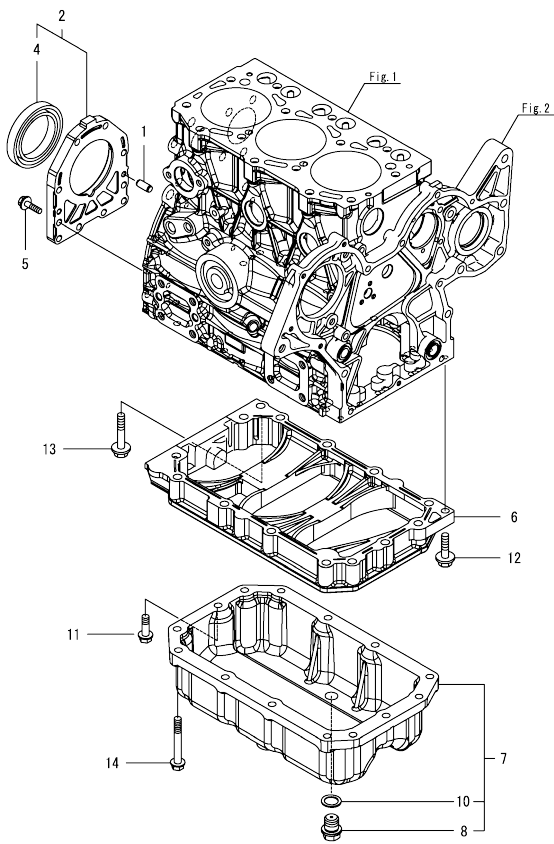


(A)=3TNV80F-NXDKTFX
(D)=
(E)=
(F)=

No.	Lev.	Parts No.	Description	Q'ty						I	R
				(A)	(B)	(C)	(D)	(E)	(F)		
1	1	119740-01501	CASE, GEAR	1							
3	1	119717-01570	STUD	3							
4	1	119751-01590	COVER ASSY, CASE	1							
5	2	719751-01500	COVER ASSY, CASE	1							
6	3	119751-01521	COVER, GEAR CASE	1							
8	4	23876-030000	PLUG, R03	2							
9	3	119717-01800	SEAL, OIL	1							
10	3	24101-062024	BEARING, BALL 6202	1							
11	2	119717-32100	COVER ASSY, PUMP	1							
12	3	119717-32080	COVER, OIL PUMP	1							
13	3	129900-32130	VALVE, RELIEF	1							
14	3	129001-32320	SPRING	1							
15	3	129001-32330	PLUG	1							
16	2	119717-32110	ROTOR, INNER	1							
17	2	119717-32120	ROTOR, OUTER	1							
18	2	119802-32130	SCREW, M6X16	8							
19	1	119717-01750	COVER, PUMP	1							
20	1	119660-01911	PIPE, KNOCK 6X17	4							
21	1	119624-32040	O-RING, P12.0	1							
22	1	119717-32050	O-RING, P17.0	3							
23	1	121850-51960	O-RING, FUEL PUMP	1							
24	1	26106-060122	BOLT, M6X 12 PLATED	1							
25	1	26106-060162	BOLT, M6X 16 PLATED	4							
26	1	26106-060402	BOLT, M6X 40 PLATED	4							
27	1	26106-060402	BOLT, M6X 40 PLATED	2							
28	1	26106-060602	BOLT, M6X 60 PLATED	7							
29	1	26106-060652	BOLT, M6X 65 PLATED	2							
30	1	26306-080002	NUT, M8	3							
31	1	124160-01751	CAP, FILLER	1							
32	1	24311-000320	O-RING, 1AP32.0	1							
33	1	124240-01871	COVER, HYDRAULIC PUMP	1							
34	1	129C26-01890	GASKET, PUMP	1							
35	1	22190-080002	WASHER, SEAL 8	1							
36	1	26106-080142	BOLT, M8X 14 PLATED	1							
37	1	124240-01871	COVER, HYDRAULIC PUMP	1							
38	1	129C26-01890	GASKET, PUMP	1							
39	1	22190-080002	WASHER, SEAL 8	1							
40	1	26106-080142	BOLT, M8X 14 PLATED	1							
41	1	26106-080702	BOLT, M8X 70 PLATED	3							
42	1	26306-080002	NUT, M8	1							
43	1	26306-080002	NUT, M8	2							
44	1	121023-01551	COVER, TACHOMETER	1							
45	1	24341-000240	O-RING, 1AS24.0	1							
46	1	26106-060162	BOLT, M6X 16 PLATED	2							

OCD50-M06571 ENGINE
 Fig.3. OIL SUMP

OCD50-M06571 Fig.3

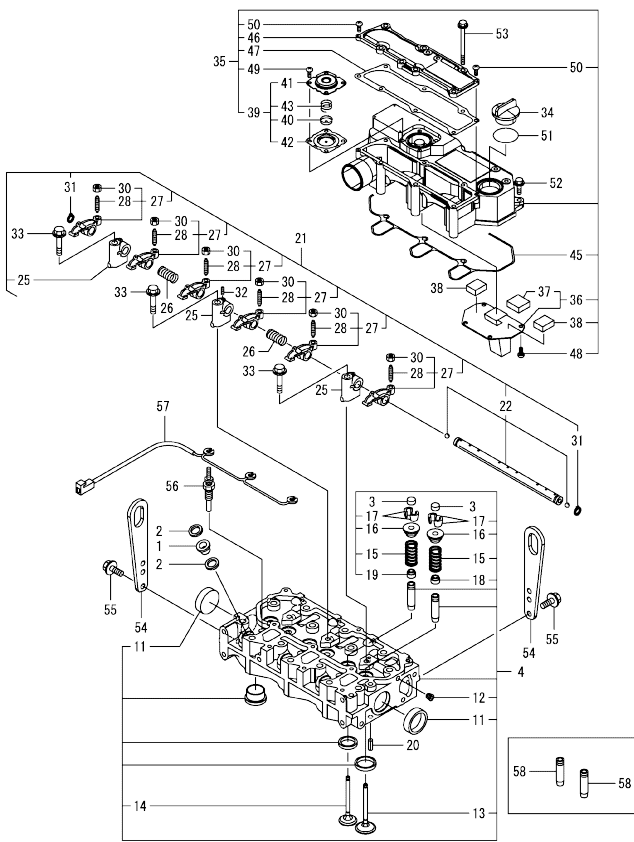


(A)=3TNV80F-NXDKTFX
 (B)=
 (C)=

(D)=
 (E)=
 (F)=

No.	Lev.	Parts No.	Description	Q'ty						I	R
				(A)	(B)	(C)	(D)	(E)	(F)		
1	1	119620-01620	PIN, PARALLEL M6X10	2							
2	1	119718-01640	CASE ASSY, OIL SEAL	1							
4	2	119734-02220	SEAL, OIL WHEEL SIDE	1							
5	1	26106-060222	BOLT, M6X 22 PLATED	10							
6	1	119717-01720	SPACER, OIL PAN	1							
7	1	119E10-01790	OIL PAN ASSY	1							
8	2	105425-01690	PLUG, DRAIN M16	2							
10	2	22190-160002	WASHER, SEAL 16	2							
11	1	26106-080252	BOLT, M8X 25 PLATED	1							
12	1	26106-080302	BOLT, M8X 30 PLATED	1							
13	1	26106-080452	BOLT, M8X 45 PLATED	1							
14	1	26106-080602	BOLT, M8X 60 PLATED	13							

Fig.4. CYLINDER HEAD & BONNET

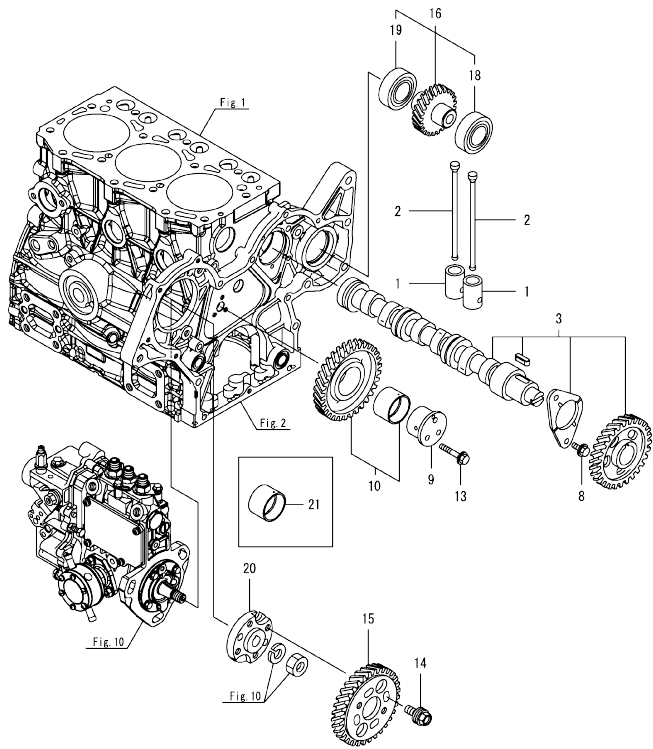


(A)=3TNV80F-NXDKTFX
(D)=
(E)=
(F)=

No.	Lev.	Parts No.	Description	Q'ty						I	R
				(A)	(B)	(C)	(D)	(E)	(F)		
1	1	129901-11450	PROTECTOR, NOZZLE	3							
2	1	119600-11460	GASKET, NOZZLE	6							
3	1	105010-11490	CAP, VALVE	6							
4	1	119E10-11750	HEAD ASSY, CYLINDER	1							
11	2	119285-11990	PLUG, 35	2							
12	2	23876-005000	PLUG, R005	1							
13	2	119E10-11100	VALVE, INTAKE	3							
14	2	119E10-11110	VALVE, EXHAUST	3							
15	2	119717-11131	SPRING, VALVE	6							
16	2	129508-11180	RETAINER, SPRING	6							
17	2	119717-11190	COTTER, VALVE	12							
18	2	119717-11340	SEAL, VALVE STEM	3							
19	2	119717-11350	SEAL, VALVE STEM	3							
20	1	22351-060012	PIN, SPRING 6.0X12	2							
21	1	119717-11200	SUPPORT ASSY, ROCKER	1							
22	2	119717-11240	SHAFT ASSY, ARM	1							
25	2	119717-11260	SUPPORT, ROCKER ARM	3							
26	2	119620-11280	SPRING, SHAFT	2							
27	2	119717-11650	ARM ASSY, ROCKER INT	6							
28	3	129150-11230	SCREW, VALVE ADJUST	6							
30	3	129150-11750	NUT, M8XP1.0	6							
31	2	22242-000120	RING, 12	2							
32	2	119260-11270	SCREW	1							
33	1	26106-080402	BOLT, M8X 40 PLATED	3							
34	1	124160-01751	CAP, FILLER	1							
35	1	119717-11381	BONNET ASSY, HEAD	1							
36	2	119717-03031	PLATE, BAFFLE	1							
37	3	119717-03070	BAFFLE, BREATHER	1							
38	2	119717-03070	BAFFLE, BREATHER	2							
39	2	119802-03100	DIAPHRAGM ASSY	1							
40	3	119802-03110	PLATE, DIAPHRAGM	1							
41	3	119802-03121	COVER, DIAPHRAGM	1							
42	3	119802-03131	DIAPHRAGM, BREATHER	1							
43	3	119802-03141	SPRING, DIAPHRAGM	1							
45	2	119718-11310	GASKET, BONNET	1							
46	2	119717-11320	COVER, BONNET	1							
47	2	119717-11331	GASKET, BONNET COVER	1							
48	2	22857-500100	SCREW, 5X10	4							
49	2	22857-500100	SCREW, 5X10	4							
50	2	22857-500160	SCREW, 5X16	2							
51	1	24311-000320	O-RING, 1AP32.0	1							
52	1	26106-060202	BOLT, M6X 20 PLATED	3							
53	1	26106-060752	BOLT, M6X 75 PLATED	6							
54	1	129900-07900	LIFTER, ENGINE	2							
55	1	26106-080162	BOLT, M8X 16 PLATED	4							
56	1	119717-77801	PLUG, GLOW	3							
57	1	119717-77820	CONNECTOR, GLOW PLUG	1							
58	1	119717-11800	GUIDE, VALVE	6							1

Remarks
(1)Spare parts.

Fig.6. CAMSHAFT & DRIVING GEAR



(A)=3TNV80F-NXDKTFX
(B)=
(C)=

(D)=
(E)=
(F)=

No.	Lev.	Parts No.	Description	Q'ty						I	R
				(A)	(B)	(C)	(D)	(E)	(F)		
1	1	119620-14200	TAPPET	6							
2	1	119717-14400	ROD, PUSH	6							
3	1	119717-14581	CAMSHAFT ASSY	1							
8	1	26106-060122	BOLT, M6X 12 PLATED	2							
9	1	119717-25050	SHAFT, IDLE GEAR	1							
10	1	119717-25101	GEAR ASSY, IDLE	1							
13	1	26106-060352	BOLT, M6X 35 PLATED	3							
14	1	129150-25301	BOLT, INJECTION PUMP	4							
15	1	119717-25930	GEAR, PUMP	1							
16	1	119717-26000	GEAR ASSY, PUMP	1							
18	2	129350-26490	BEARING, BALL 16005	1							
19	2	24104-060054	BEARING, BALL 6005UU	1							
20	1	119717-51150	FLANGE, CAMSHAFT	1							
21	1	119717-25911	BUSH, IDLE GEAR	1							1

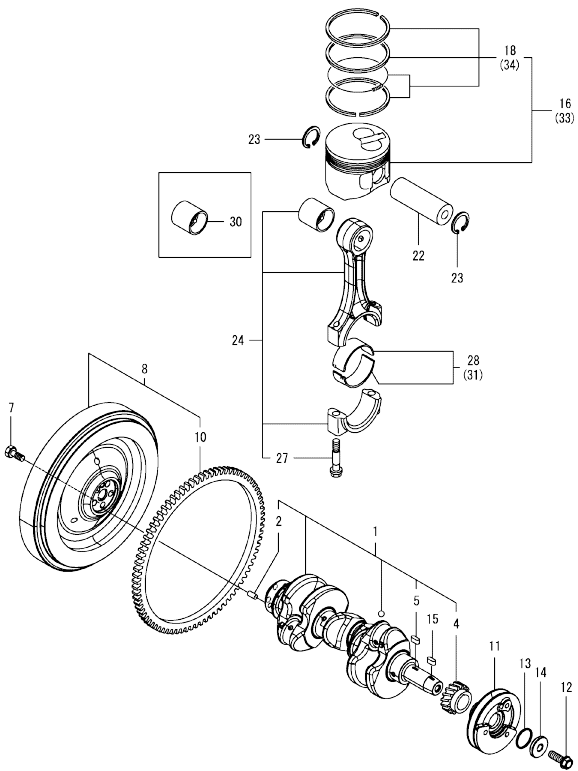
Remarks

(1)Spare parts.

Fig.7. CRANKSHAFT & PISTON

(A)=3TNV80F-NXDKTFX
(B)=
(C)=

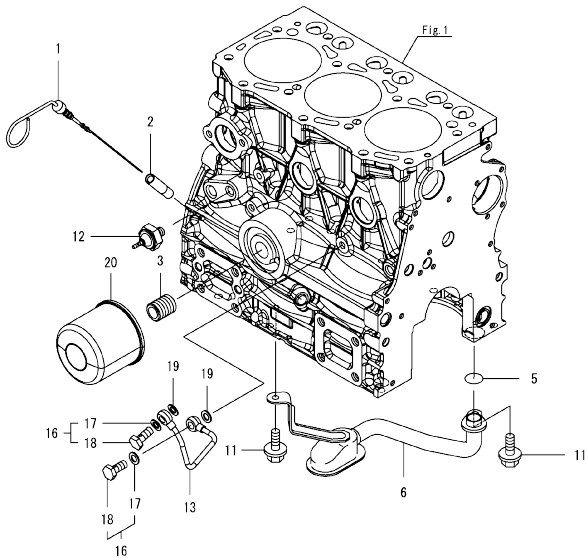
(D)=
(E)=
(F)=



No.	Lev.	Parts No.	Description	Q'ty						I	R
				(A)	(B)	(C)	(D)	(E)	(F)		
1	1	119E10-21700	CRANKSHAFT ASSY	1							
2	2	129100-01580	PIN, PARALLEL 8X16	1							
4	2	119717-21200	GEAR, CRANKSHAFT	1							
5	2	22512-040120	KEY, 4X 12	1							
7	1	121111-21501	BOLT, FLYWHEEL	5							
8	1	119E10-21590	FLYWHEEL ASSY	1							
10	2	119865-21600	GEAR, RING Z=116	1							
11	1	119C10-21650	V-PULLEY, CRANKSHAFT	1							
12	1	119621-21681	BOLT, FLANGE 12X1.25	1							
13	1	119C10-21931	PACKING, WASHER	1							
14	1	119C10-21940	WASHER, V-PULLEY	1							
15	1	22512-040120	KEY, 4X 12	1							
16	1	119E11-22080	PISTON ASSY	3							
18	2	119E10-22500	RING SET, PISTON	3							
22	1	119E10-22300	PIN, PISTON	3							
23	1	2252-000220	RING, 22	6							
24	1	119E10-23001	ROD ASSY, CONNECTING	3							
27	2	119717-23200	BOLT, CONNECTING ROD	6							
28	1	119717-23601	METAL ASSY, CRANK PIN	3							
30	1	119717-23911	BUSH, PISTON PIN	3							1
31	1	119717-23611	METAL ASSY, PIN .25	3							2
33	1	119E11-22900	PISTON ASSY, 0.25 OS	3							3
34	2	119E10-22550	RING SET, PISTON .25	3							3

Remarks
(1) Spare parts.
(2) Under-sized (U.S.=0.25) parts.
(3) Over-sized (O.S.=0.25) parts.

Fig.8. LUB. OIL SYSTEM



(A)=3TNV80F-NXDKTFX
(B)=
(C)=

(D)=
(E)=
(F)=

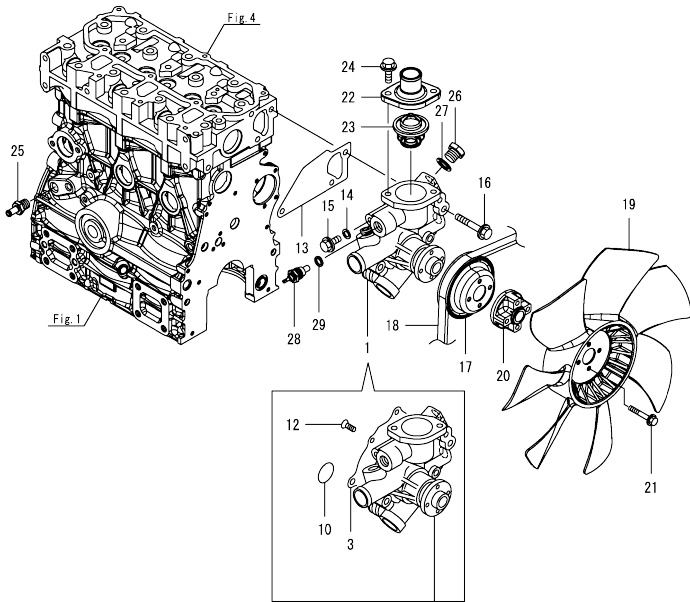
No.	Lev.	Parts No.	Description	Q'ty						I	R
				(A)	(B)	(C)	(D)	(E)	(F)		
1	1	119751-34830	DIPSTICK, LUB.OIL	1							
2	1	121520-34810	GUIDE, DIPSTICK	1							
3	1	119717-35140	STUD	1							
5	1	119717-32060	O-RING, P15.0	1							
6	1	119751-35080	PIPE ASSY, OIL INLET	1							
11	1	26106-060102	BOLT, M6X 10 PLATED	2							
12	1	114250-39450	SWITCH, HYDRAULIC	1							
13	1	119717-39210	PIPE, PUMP	1							
16	1	129005-59830	BOLT ASSY, JOINT M8	2							
17	2	22190-080002	WASHER, SEAL 8	2							
18	2	23857-030000	BOLT, JOINT 3	2							
19	1	22190-080002	WASHER, SEAL 8	2							
20	1	119305-35151	FILTER ASSY, D68XL65	1							1

Remarks
(1)Spare parts.

Fig.9. COOLING WATER SYSTEM

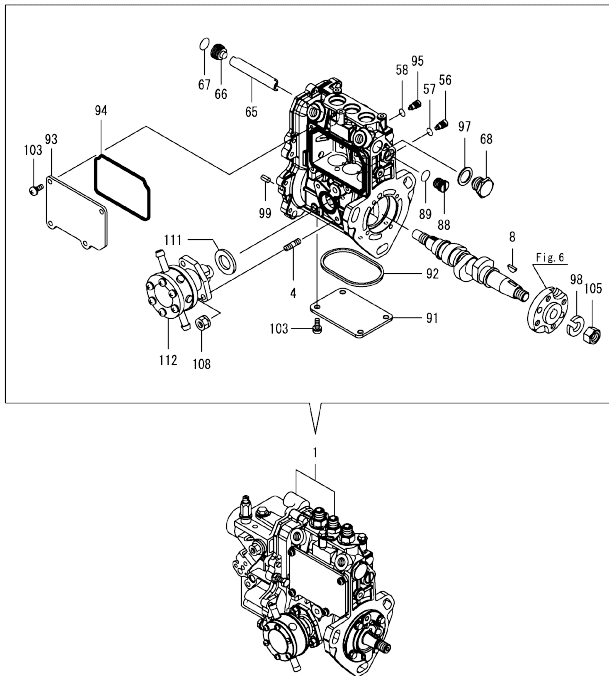
(A)=3TNV80F-NXDKTFX
(B)=
(C)=

(D)=
(E)=
(F)=



No.	Lev.	Parts No.	Description	Q'ty						I	R
				(A)	(B)	(C)	(D)	(E)	(F)		
1	1	119E10-42001	PUMP ASSY, CW	1							
3	2	119717-42031	GASKET, WATER PUMP	1							
10	2	119C10-42320	O-RING, 2028	1							
12	2	26577-060122	SCREW, M6X12	4							
13	1	119717-42020	GASKET, WATER PUMP	1							
14	1	23414-080000	GASKET, 8X1.0	1							
15	1	26106-080122	BOLT, M8X 12 PLATED	1							
16	1	26106-080502	BOLT, M8X 50 PLATED	3							
17	1	119717-42350	V-PULLEY, PUMP D=100	1							
18	1	25152-003700	V-BELT, A37	1							
19	1	119717-44740	FAN, COOLING D=335X7	1							
20	1	171353-44760	SPACER, FAN 25MM	1							
21	1	26106-060402	BOLT, M6X 40 PLATED	4							
22	1	129350-49530	COVER, THERMOSTAT	1							
23	1	119717-49800	THERMOSTAT, 71C	1							
24	1	26106-080202	BOLT, M8X 20 PLATED	2							
25	1	121550-49111	JOINT, PT1/4	1							
26	1	121450-42450	PLUG, M16	1							
27	1	124465-44950	GASKET, 16	1							
28	1	124250-49351	SENSOR, WATER TEMP.	1							
29	1	129150-49360	GASKET, 10	1							

Fig.10. FUEL INJECTION PUMP



(A)=3TNV80F-NXDKTFX
(B)=
(C)=

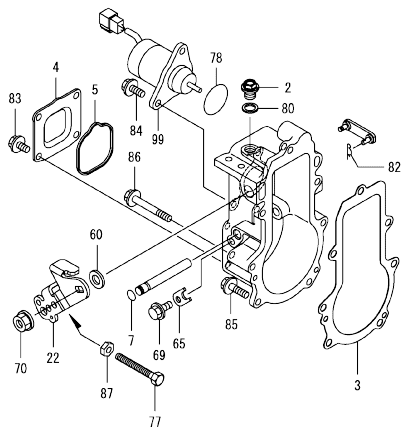
(D)=
(E)=
(F)=

No.	Lev.	Parts No.	Description	Q'ty						I	R
				(A)	(B)	(C)	(D)	(E)	(F)		
1	1	719E10-51380	FIE ASSY	1							1
1-1	1	719E10-51400	FIE ASSY	1							N 1
(A=E60979)											
4	2	129155-51020	STUD	2							
8	2	122710-51090	KEY, FEATHER	1							
56	2	158600-51270	STOPPER, TAPPET	3							
57	2	129155-51280	O-RING, S6	3							
58	2	129155-51280	O-RING, S6	1							
65	2	129155-51400	PROTECTOR	1							
66	2	158600-51410	PLUG, DEFLIFTER M12	1							
67	2	119717-51420	O-RING	1							
68	2	158600-51420	PLUG, DEFLIFTER M16	1							
88	2	158600-51570	PLUG, RACK	1							
89	2	129155-51580	O-RING	1							
91	2	129155-51701	COVER, PUMP BOTTOM	1							
92	2	119717-51711	GASKET, PUMP	1							
93	2	119717-51750	COVER, BODY SIDE	1							
94	2	119717-51761	GASKET, PUMP COVER	1							
95	2	158600-51790	STOPPER, RACK	1							
97	2	22190-160002	WASHER, SEAL 16	1							
98	2	22217-120000	WASHER, SPRING 12	1							
99	2	22351-050010	PIN, SPRING 5.0X10	2							
103	2	26022-050122	SCREW, M5X12	8							
105	2	26716-120002	NUT, M12	1							
108	2	119717-51860	NUT, M6	2							
111	2	129155-52051	GASKET, PUMP COVER	1							
112	2	129100-52101	PUMP ASSY, FUEL FEED	1							

Remarks

(1)Governor(Fig.11) is incorporated in this Fuel Injection Pump(No.1).

Fig.11. GOVERNOR



(A)=3TNV80F-NXDKTFX
(B)=
(C)=

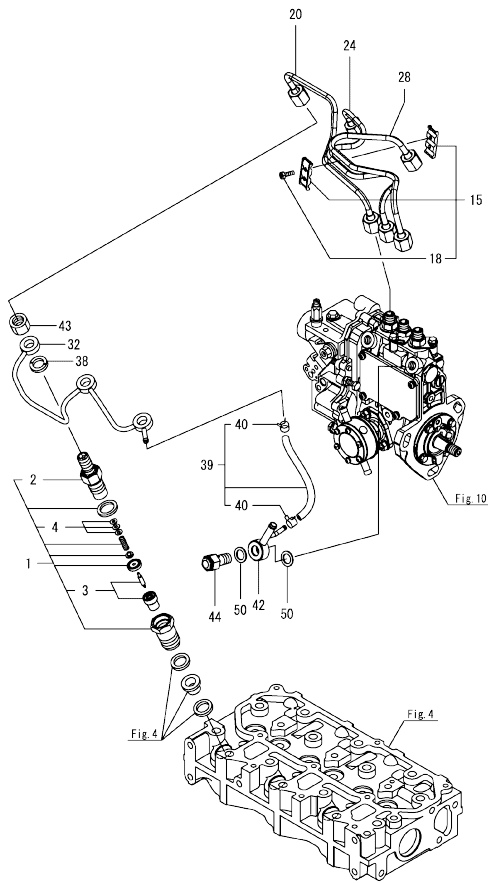
(D)=
(E)=
(F)=

No.	Lev.	Parts No.	Description	Q'ty						I	R
				(A)	(B)	(C)	(D)	(E)	(F)		
2	2	119717-51930	PLUG, M10	1							
3	2	119717-61050	GASKET, CASE	1							
4	2	119717-61060	COVER, GOVERNOR CASE	1							
5	2	119717-61070	GASKET, COVER	1							
7	2	129155-51280	O-RING, S6	1							
22	2	119515-61440	LEVER, CONTROL	1							
60	2	158552-61700	SHIM SET	1							
65	2	119660-61901	STOPPER, SHAFT	1							
69	2	26106-060102	BOLT, M6X 10 PLATED	1							
70	2	26366-080002	NUT, M8	1							
77	2	129155-61461	BOLT, IDLE LIMIT	1							
78	2	158552-61900	O-RING	1							
80	2	22190-100002	WASHER, SEAL 10	1							
82	2	22372-040000	PIN, SNAP 4	1							
83	2	26106-060102	BOLT, M6X 10 PLATED	4							
84	2	26106-060142	BOLT, M6X 14 PLATED	2							
85	2	26106-060202	BOLT, M6X 20 PLATED	4							
86	2	26106-060452	BOLT, M6X 45 PLATED	3							
87	2	119740-61470	NUT	1							
99	2	129630-77900	SOLENOID, STOP	1							

Remarks

* This figure(Governor) is incorporated in the Fuel Injection Pump(Fig.10).

Fig.12. FUEL INJECTION VALVE



(A)=3TNV80F-NXDKTFX
(B)=
(C)=

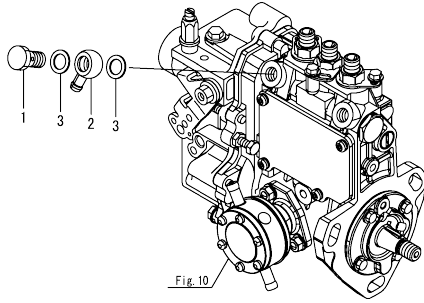
(D)=
(E)=
(F)=

No.	Lev.	Parts No.	Description	Q'ty						I	R
				(A)	(B)	(C)	(D)	(E)	(F)		
1	1	119C10-53000	VALVE ASSY,INJECTION	3							
2	2	118200-53010	HOLDER, NOZZLE	3							
3	2	119C10-53010	VALVE ASSY,INJECTION	3							
4	2	129901-53800	SHIM SET, ADJUSTING	3							1
15	1	129150-59120	RETAINER, PIPE	1							
18	2	129150-59131	BOLT, M4X14	2							
20	1	119E10-59810	PIPE ASSY, INJECTION	1							
24	1	119E10-59820	PIPE, INJECTION NO.2	1							
28	1	119E10-59830	PIPE, INJECTION NO.3	1							
32	1	119717-59510	PIPE ASSY, RETURN	1							
38	1	129901-59560	GASKET, FUEL RETURN	3							
39	1	119540-59570	HOSE ASSY, RETURN	1							
40	2	124066-59100	CLAMP, HOSE 8	2							
42	1	119840-59570	JOINT, OVERFLOW	1							
43	1	119620-59700	NUT, NOZZLE RETURN	3							
44	1	119813-59950	VALVE ASSY, CHECK	1							
50	1	22190-120002	WASHER, SEAL 12	2							

Remarks

(1)Spare parts.

Fig.13. FUEL PIPE

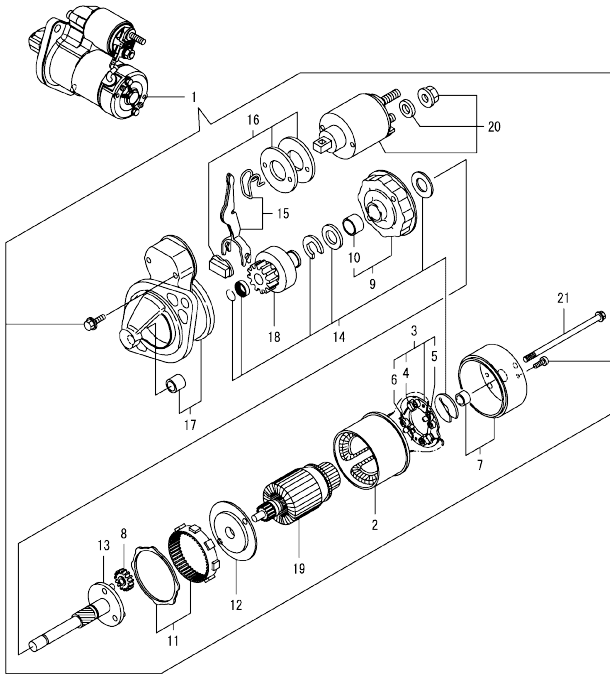


(A)=3TNV80F-NXDKTFX
(B)=
(C)=

(D)=
(E)=
(F)=

No.	Lev.	Parts No.	Description	Q'ty					
				(A)	(B)	(C)	(D)	(E)	(F)
1	1	103854-39140	BOLT, PIPE JOINT	1					
2	1	101304-59020	JOINT, PIPE 12	1					
3	1	22190-120002	WASHER, SEAL 12	2					

Fig.14. STARTER MOTOR



(A)=3TNV80F-NXDKTFX
(B)=
(C)=

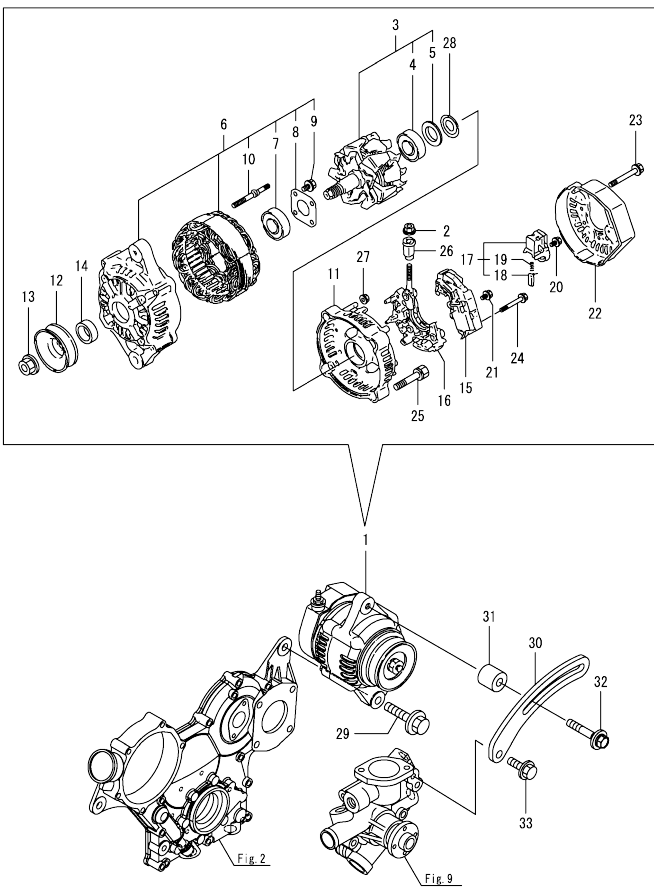
(D)=
(E)=
(F)=

No.	Lev.	Parts No.	Description	Q'ty						I	R
				(A)	(B)	(C)	(D)	(E)	(F)		
1	1	119125-77010	STARTER ASSY, 1.2KW	1							1
2	2	129698-77110	YOKE ASSY	1							
3	2	129698-77120	HOLDER ASSY, BRUSH	1							
4	3	129698-77130	BRUSH	2							
5	3	129698-77140	BRUSH SET	1							
6	3	129698-77150	SPRING, BRUSH	4							
7	2	129698-77161	COVER ASSY, STARTER	1							
8	2	119125-77170	GEAR, PLANETARY	3							
9	2	129698-77180	BRACKET, CENTER P	1							
10	3	129698-77190	BRACKET, CENTER	1							
11	2	119125-77200	GEAR, INTERNAL	1							
12	2	119125-77210	BRACKET, CENTER A	1							
13	2	119125-77230	SHAFT, PINION	1							
14	2	129698-77250	WASHER SET	1							
15	2	119125-77270	LEVER SET, SHIFT	1							
16	2	119125-77280	COVER KIT, DUST	1							
17	2	119125-77520	CASE ASSY, GEAR	1							
18	2	119125-77660	PINION ASSY	1							
19	2	119125-77710	ARMATURE ASSY	1							
20	2	119125-77760	SWITCH ASSY, MAGNET	1							
21	2	124195-77770	BOLT, THROUGH	2							

Remarks

(1) Loose parts.

Fig.15. GENERATOR



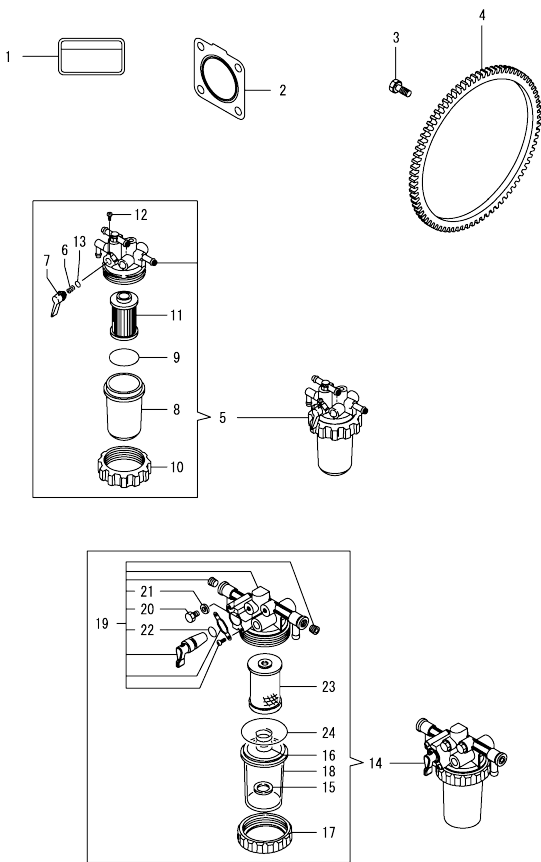
(A)=3TNV80F-NXDKTFX
(B)=
(C)=

(D)=
(E)=
(F)=

No.	Lev.	Parts No.	Description	Q'ty					
				(A)	(B)	(C)	(D)	(E)	(F)
1	1	129423-77210	ALTERNATOR, 12V-40A	1					
2	2	129240-79310	NUT	1					
3	2	119620-77380	ROTOR ASSY	1					
4	3	123501-79240	BEARING, BALL	1					
5	3	119620-79250	COVER, BEARING	1					
6	2	119620-77421	FRAME ASSY, DRIVE	1					
7	3	119620-79200	BEARING, BALL	1					
8	3	119620-79210	PLATE, RETAINER	1					
9	3	119620-79220	SCREW	4					
10	3	119620-79230	STUD	2					
11	2	119620-77440	FRAME ASSY, REAR	1					
12	2	119620-77461	PULLEY, GENERATOR	1					
13	2	119620-77471	NUT	1					
14	2	119620-77490	COLLAR	1					
15	2	129423-77730	REGULATOR ASSY	1					
16	2	119620-79260	HOLDER ASSY	1					
17	2	129052-79270	HOLDER ASSY, BRUSH	1					
18	3	119620-77480	BRUSH ASSY, SUB	2					
19	3	119620-79280	SPRING	2					
20	2	119620-79290	SCREW	6					
21	2	119620-79300	SCREW	1					
22	2	129240-79300	COVER	1					
23	2	119620-79310	BOLT	3					
24	2	119620-79320	SCREW, W/WASHER	2					
25	2	119620-79330	BOLT	2					
26	2	119620-79340	BUSH, INSULATION	1					
27	2	119620-79350	NUT	2					
28	2	119620-79360	WASHER, THRUST	1					
29	1	26106-100452	BOLT, M10X 45 PLATED	1					
30	1	119515-77330	ADJUSTER, BELT	1					
31	1	124732-77340	SPACER, ADJUSTER	1					
32	1	129972-77341	BOLT, ADJUSTER L=50	1					
33	1	26106-080202	BOLT, M8X 20 PLATED	1					

OCD50-M06571 ENGINE
 Fig.16. ACCESSORY

OCD50-M06571 Fig.16



(A)=3TNV80F-NXDKTFX
 (B)=
 (C)=

(D)=
 (E)=
 (F)=

No.	Lev.	Parts No.	Description	Q'ty						I	R
				(A)	(B)	(C)	(D)	(E)	(F)		
1	1	114110-07761	LABEL, FUEL CAUTION	1							
2	1	119515-13200	GASKET, SILENCER	1							
3	1	121111-21501	BOLT, FLYWHEEL	5							
4	1	124060-21600	GEAR, RING Z=105	1							
5	1	119740-55601	STRAINER ASSY, FUEL	1							
6	2	104200-55330	SPRING, FUEL VALVE	1							
7	2	119810-55340	LEVER, FUEL	1							
8	2	121254-55510	CUP, FUEL STARINER	1							
9	2	102103-55520	O-RING, FILTER	1							
10	2	110250-55610	RING, CUP RETAINING	1							
11	2	119810-55650	ELEMENT, FUEL FILTER	1							
12	2	104200-55750	SCREW, M4	1							
13	2	24311-240100	O-RING, 1AP10A	1							
14	1	129335-55750	SEPARATOR ASSY,WATER	1							
15	2	129053-55640	FLOAT	1							
16	2	129053-55650	SPRING, SCREEN	1							
17	2	119833-55660	RING, RETAINING	1							
18	2	129335-55740	CUP	1							
19	2	129335-55770	BODY ASSY	1							
20	3	129242-55750	VALVE, AIR VENT	1							
21	3	129242-55760	GASKET, PLUG	1							
22	3	24311-000110	O-RING, 1AP11.0	1							
23	2	129335-55780	ELEMENT ASSY, FUEL	1							
24	2	24311-000440	O-RING, 1AP44.0	1							

Parts No. Index

Parts No.	Fig. No.	Ref. No.
101304-59020	13	2
102103-55520	16	9
103854-39140	13	1
104200-55330	16	6
104200-55750	16	12
105010-11490	4	3
105311-01090	1	4
105425-01690	3	8
110250-55610	16	10
114110-07761	16	1
114250-39450	8	12
118200-53010	12	2
119125-77010	14	1
119125-77170	14	8
119125-77200	14	11
119125-77210	14	12
119125-77230	14	13
119125-77270	14	15
119125-77280	14	16
119125-77520	14	17
119125-77660	14	18
119125-77710	14	19
119125-77760	14	20
119131-18320	5	5
119260-11270	4	32
119285-01990	1	6
119285-11990	4	11
119305-35151	8	20
119515-13200	16	2
119515-61440	11	22
119515-77330	15	30
119540-59570	12	39
119600-11460	4	2
119620-01620	3	1
119620-02020	1	7
119620-11280	4	26
119620-14200	6	1
119620-59700	12	43
119620-77380	15	3
119620-77421	15	6
119620-77440	15	11
119620-77461	15	12
119620-77471	15	13
119620-77480	15	18
119620-77490	15	14
119620-79200	15	7
119620-79210	15	8
119620-79220	15	9
119620-79230	15	10
119620-79250	15	5

Parts No.	Fig. No.	Ref. No.
119620-79260	15	16
119620-79280	15	19
119620-79290	15	20
119620-79300	15	21
119620-79310	15	23
119620-79320	15	24
119620-79330	15	25
119620-79340	15	26
119620-79350	15	27
119620-79360	15	28
119621-21681	7	12
119623-01250	1	5
119624-32040	2	21
119660-01911	2	20
119660-61901	11	65
119717-01570	2	3
119717-01720	3	6
119717-01750	2	19
119717-01800	2	9
119717-02411	1	10
119717-02930	1	23
119717-03031	4	36
119717-03070	4	37
		38
119717-11131	4	15
119717-11190	4	17
119717-11200	4	21
119717-11240	4	22
119717-11260	4	25
119717-11320	4	46
119717-11331	4	47
119717-11340	4	18
119717-11350	4	19
119717-11381	4	35
119717-11650	4	27
119717-11800	4	58
119717-13110	5	2
119717-13600	5	3
119717-14400	6	2
119717-14581	6	3
119717-21200	7	4
119717-23200	7	27
119717-23601	7	28
119717-23611	7	31
119717-23911	7	30
119717-25050	6	9
119717-25101	6	10
119717-25911	6	21
119717-25930	6	15
119717-26000	6	16

Parts No.	Fig. No.	Ref. No.
119717-32050	2	22
119717-32060	8	5
119717-32080	2	12
119717-32100	2	11
119717-32110	2	16
119717-32120	2	17
119717-35140	8	3
119717-39210	8	13
119717-42020	9	13
119717-42031	9	3
119717-42350	9	17
119717-44740	9	19
119717-49800	9	23
119717-51150	6	20
119717-51420	10	67
119717-51711	10	92
119717-51750	10	93
119717-51761	10	94
119717-51860	10	108
119717-51930	11	2
119717-59510	12	32
119717-61050	11	3
119717-61060	11	4
119717-61070	11	5
119717-77801	4	56
119717-77820	4	57
119718-01640	3	2
119718-11310	4	45
119718-13100	5	1
119734-02220	3	4
119740-01501	2	1
119740-55601	16	5
119740-61470	11	87
119751-01521	2	6
119751-01590	2	4
119751-34830	8	1
119751-35080	8	6
119802-03100	4	39
119802-03110	4	40
119802-03121	4	41
119802-03131	4	42
119802-03141	4	43
119802-32130	2	18
119810-01200	1	26
119810-02941	1	35
119810-55340	16	7
119810-55650	16	11
119813-59950	12	44
119833-55660	16	17
119840-59570	12	42

Parts No.	Fig. No.	Ref. No.
119865-21600	7	10
119C10-21650	7	11
119C10-21931	7	13
119C10-21940	7	14
119C10-42320	9	10
119C10-53000	12	1
119C10-53010	12	3
119E00-01560	1	1
119E10-01330	1	27
119E10-01790	3	7
119E10-11100	4	13
119E10-11110	4	14
119E10-11750	4	4
119E10-21590	7	8
119E10-21700	7	1
119E10-22300	7	22
119E10-22500	7	18
119E10-22550	7	34
119E10-23001	7	24
119E10-42001	9	1
119E10-59810	12	20
119E10-59820	12	24
119E10-59830	12	28
119E11-22080	7	16
119E11-22900	7	33
121023-01551	2	44
121111-21501	7	7
	16	3
121254-55510	16	8
121450-42450	9	26
121520-34810	8	2
121550-49111	9	25
121850-51960	2	23
122710-51090	10	8
123501-79240	15	4
124060-01050	1	11
124060-21600	16	4
124066-59100	12	40
124160-01751	2	31
	4	34
124160-01910	1	12
124195-77770	14	21
124240-01871	2	33
		37
124250-49351	9	28
124465-44950	9	27
124732-77340	15	31
129001-32320	2	14
129001-32330	2	15
129005-59830	8	16

Parts No. Index

Parts No.	Fig. No.	Ref. No.
129052-79270	15	17
129053-55640	16	15
129053-55650	16	16
129100-01580	1	28
	7	2
129100-52101	10	112
129150-11230	4	28
129150-11750	4	30
129150-25301	6	14
129150-49360	9	29
129150-59120	12	15
129150-59131	12	18
129155-51020	10	4
129155-51280	10	57
		58
	11	7
129155-51400	10	65
129155-51580	10	89
129155-51701	10	91
129155-52051	10	111
129155-61461	11	77
129240-79300	15	22
129240-79310	15	2
129242-55750	16	20
129242-55760	16	21
129335-55740	16	18
129335-55750	16	14
129335-55770	16	19
129335-55780	16	23
129350-26490	6	18
129350-49530	9	22
129423-77210	15	1
129423-77730	15	15
129508-11180	4	16
129630-77900	11	99
129698-77110	14	2
129698-77120	14	3
129698-77130	14	4
129698-77140	14	5
129698-77150	14	6
129698-77161	14	7
129698-77180	14	9
129698-77190	14	10
129698-77250	14	14
129900-07900	4	54
129900-32130	2	13
129901-11450	4	1
129901-53800	12	4
129901-59560	12	38
129972-77341	15	32

Parts No.	Fig. No.	Ref. No.
129C26-01890	2	34
		38
129E00-13610	5	4
158552-61700	11	60
158552-61900	11	78
158600-51270	10	56
158600-51410	10	66
158600-51420	10	68
158600-51570	10	88
158600-51790	10	95
171353-44760	9	20
22190-080002	2	35
		39
	8	17
		19
22190-100002	11	80
22190-120002	12	50
	13	3
22190-160002	3	10
	10	97
22217-120000	10	98
22242-000120	4	31
22252-000220	7	23
22351-050010	10	99
22351-060012	4	20
22372-040000	11	82
22512-040120	7	5
		15
22857-500100	4	48
		49
22857-500160	4	50
23414-080000	9	14
23857-030000	8	18
23876-005000	4	12
23876-030000	2	8
24101-062024	2	10
24104-060054	6	19
24311-000110	16	22
24311-000320	2	32
	4	51
24311-000440	16	24
24311-240100	16	13
24341-000240	2	45
25152-003700	9	18
26022-050122	10	103
26106-060102	8	11
		11
		69
		83
26106-060122	2	24
		8

Parts No.	Fig. No.	Ref. No.
26106-060142	11	84
26106-060162	2	25
		46
26106-060202	4	52
	11	85
26106-060222	3	5
26106-060352	6	13
26106-060402	2	26
		27
	9	21
26106-060452	11	86
26106-060602	2	28
26106-060652	2	29
26106-060752	4	53
26106-080122	9	15
26106-080142	2	36
		40
26106-080162	4	55
26106-080202	9	24
	15	33
26106-080252	3	11
26106-080302	3	12
26106-080402	4	33
26106-080452	3	13
26106-080502	9	16
26106-080602	3	14
26106-080702	2	41
26106-100452	15	29
26306-080002	2	30
		42
		43
	5	6
26366-080002	11	70
26577-060122	9	12
26716-120002	10	105
27241-120000	1	13
719717-02901	1	29
719717-02911	1	32
719751-01500	2	5
719E10-51380	10	1
719E10-51400	10	1 -1

Parts No.	Fig. No.	Ref. No.
-----------	----------	----------