

0CD50-M06880EN

# P R E F A C E

This parts catalog is the 1st edition of 3TNV80F-NXDDP for DIPP.

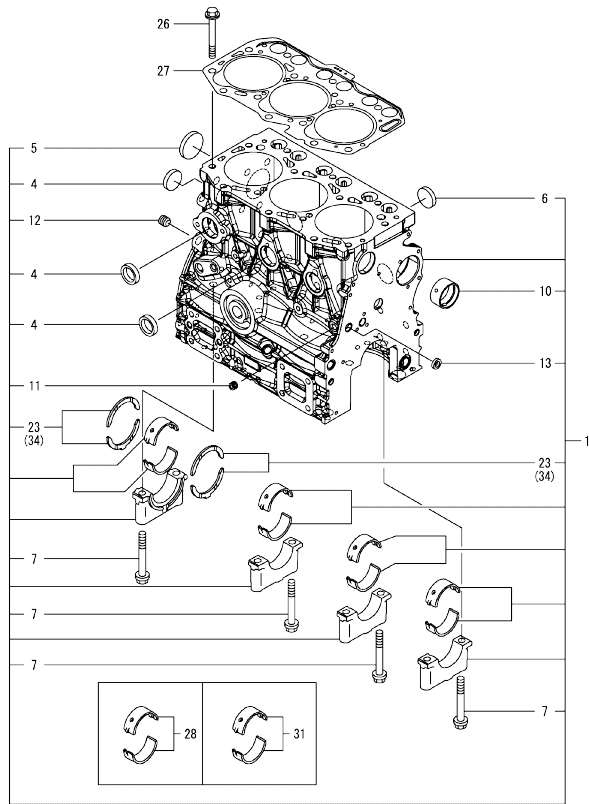
Published : April, 2021

## Contents

OCD50-M06880

Fig. No.	Fig. Name	Fig. No.	Fig. Name
ENGINE			
1.	CYLINDER BLOCK		
2.	GEAR HOUSING		
3.	FLYWHEEL HOUSING & OIL SUMP		
4.	CYLINDER HEAD & BONNET		
5.	EXHAUST MANIFOLD		
6.	CAMSHAFT & DRIVING GEAR		
7.	CRANKSHAFT & PISTON		
8.	LUB. OIL SYSTEM		
9.	COOLING WATER SYSTEM		
10.	FUEL INJECTION PUMP		
11.	GOVERNOR		
12.	FUEL INJECTION VALVE		
13.	FUEL PIPE		
14.	STARTER MOTOR		
15.	GENERATOR		
16.	ACCESORY		

Fig.1. CYLINDER BLOCK



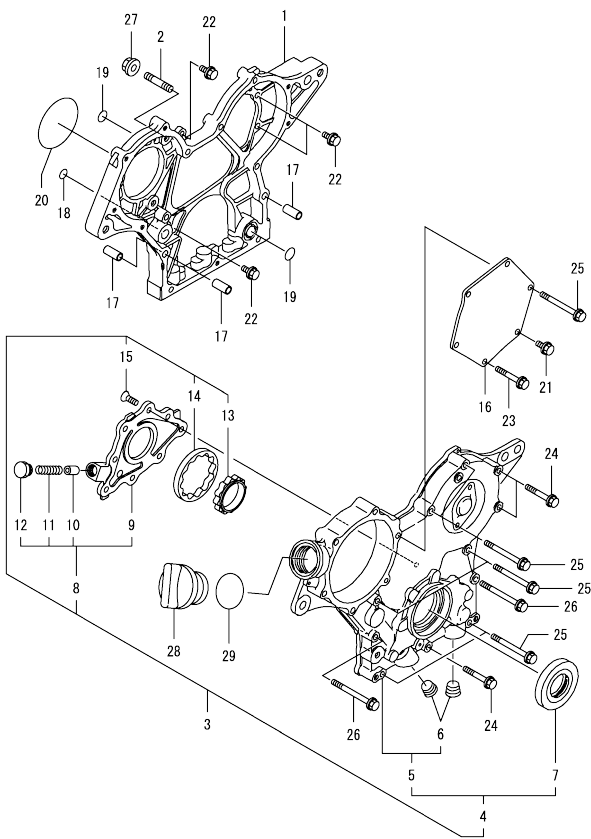
(A)=3TNV80F-NXDDP  
(B)=  
(C)=

(D)=  
(E)=  
(F)=

No.	Lev.	Parts No.	Description	Q'ty						I	R
				(A)	(B)	(C)	(D)	(E)	(F)		
1	1	119E00-01560	BLOCK ASSY, CYLINDER	1							
4	2	105311-01090	PLUG, 30	4							
5	2	119623-01250	PLUG, 45	1							
6	2	119285-01990	PLUG, 25	3							
7	2	119620-02020	BOLT, METAL CAP	8							
10	2	119717-02411	BUSH, CAMSHAFT	1							
11	2	124060-01050	PLUG, PT1/8	1							
12	2	124160-01910	PLUG, PT1/4	1							
13	2	27241-120000	PLUG, 12	1							
23	2	119717-02930	METAL ASSY, THRUST	2							
26	1	119810-01200	BOLT, CYLINDER HEAD	14							
27	1	119E10-01330	GASKET SET, HEAD	1							
28	1	719717-02901	METAL ASSY, MAIN	4							1
31	1	719717-02911	METAL ASSY, MAIN .25	4							2
34	1	119810-02941	METAL ASSY, 0.25 OS	2							3

Remarks  
 (1)Spare parts.  
 (2)Under-sized(U.S.=0.25) parts.  
 (3)Over-sized(O.S.=0.25) parts.

Fig.2. GEAR HOUSING

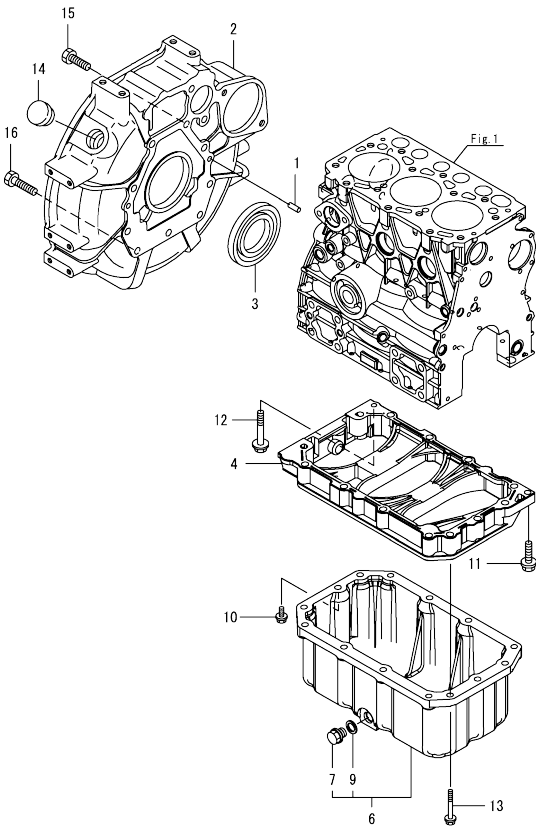


(A)=3TNV80F-NXDDP  
(B)=  
(C)=

(D)=  
(E)=  
(F)=

No.	Lev.	Parts No.	Description	Qty						I	R
				(A)	(B)	(C)	(D)	(E)	(F)		
1	1	119717-01501	CASE, GEAR	1							
2	1	119717-01570	STUD	3							
3	1	119734-01590	COVER ASSY, CASE	1							
4	2	719734-01500	COVER ASSY, CASE	1							
5	3	119717-01521	COVER, GEAR CASE	1							
6	4	23876-030000	PLUG, R03	2							
7	3	119717-01800	SEAL, OIL	1							
8	2	119717-32100	COVER ASSY, PUMP	1							
9	3	119717-32080	COVER, OIL PUMP	1							
10	3	129900-32130	VALVE, RELIEF	1							
11	3	129001-32320	SPRING	1							
12	3	129001-32330	PLUG	1							
13	2	119717-32110	ROTOR, INNER	1							
14	2	119717-32120	ROTOR, OUTER	1							
15	2	119802-32130	SCREW, M6X16	8							
16	1	119717-01750	COVER, PUMP	1							
17	1	119660-01911	PIPE, KNOCK 6X17	4							
18	1	119624-32040	O-RING, P12.0	1							
19	1	119717-32050	O-RING, P17.0	3							
20	1	121850-51960	O-RING, FUEL PUMP	1							
21	1	26106-060122	BOLT, M6X 12 PLATED	1							
22	1	26106-060162	BOLT, M6X 16 PLATED	4							
23	1	26106-060402	BOLT, M6X 40 PLATED	4							
24	1	26106-060402	BOLT, M6X 40 PLATED	3							
25	1	26106-060602	BOLT, M6X 60 PLATED	7							
26	1	26106-060652	BOLT, M6X 65 PLATED	2							
27	1	26306-080002	NUT, M8	3							
28	1	124160-01751	CAP, FILLER	1							
29	1	24311-000320	O-RING, 1AP32.0	1							

Fig.3. FLYWHEEL HOUSING & OIL SUMP

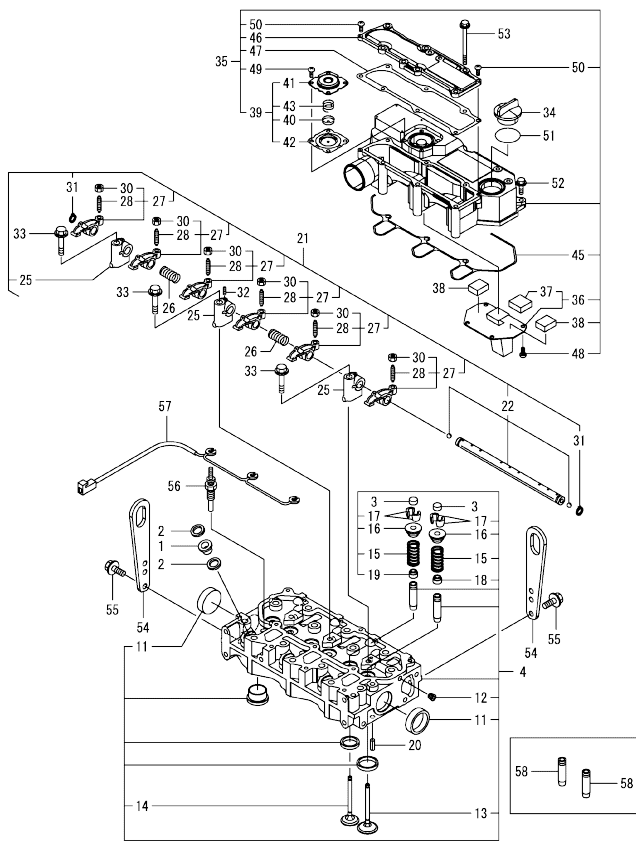


(A)=3TNV80F-NXDDP  
(B)=  
(C)=

(D)=  
(E)=  
(F)=

No.	Lev.	Parts No.	Description	Q'ty						I	R
				(A)	(B)	(C)	(D)	(E)	(F)		
1	1	129100-01580	PIN, PARALLEL 8X16	2							
2	1	119717-01601	HOUSING, FLYWHEEL	1							
3	1	119734-02220	SEAL, OIL WHEEL SIDE	1							
4	1	119717-01720	SPACER, OIL PAN	1							
6	1	119746-01790	OIL PAN ASSY	1							
7	2	105425-01690	PLUG, DRAIN M16	1							
9	2	22190-160002	WASHER, SEAL 16	1							
10	1	26106-080252	BOLT, M8X 25 PLATED	1							
11	1	26106-080302	BOLT, M8X 30 PLATED	1							
12	1	26106-080452	BOLT, M8X 45 PLATED	1							
13	1	26106-080602	BOLT, M8X 60 PLATED	13							
14	1	119620-01750	CAP, WHEEL COVER	1							
15	1	26206-100252	BOLT, M10X 25 PLATED	8							
16	1	26206-100302	BOLT, M10X 30 PLATED	3							

Fig.4. CYLINDER HEAD & BONNET



(A)=3TNV80F-NXDDP  
(B)=  
(C)=

(D)=  
(E)=  
(F)=

No.	Lev.	Parts No.	Description	Q'ty						I	R
				(A)	(B)	(C)	(D)	(E)	(F)		
1	1	129901-11450	PROTECTOR, NOZZLE	3							
2	1	119600-11460	GASKET, NOZZLE	6							
3	1	105010-11490	CAP, VALVE	6							
4	1	119E10-11750	HEAD ASSY, CYLINDER	1							
11	2	119285-11990	PLUG, 35	2							
12	2	23876-005000	PLUG, R005	1							
13	2	119E10-11100	VALVE, INTAKE	3							
14	2	119E10-11110	VALVE, EXHAUST	3							
15	2	119717-11131	SPRING, VALVE	6							
16	2	129508-11180	RETAINER, SPRING	6							
17	2	119717-11190	COTTER, VALVE	12							
18	2	119717-11340	SEAL, VALVE STEM	3							
19	2	119717-11350	SEAL, VALVE STEM	3							
20	1	22351-060012	PIN, SPRING 6.0X12	2							
21	1	119717-11200	SUPPORT ASSY, ROCKER	1							
22	2	119717-11240	SHAFT ASSY, ARM	1							
25	2	119717-11260	SUPPORT, ROCKER ARM	3							
26	2	119620-11280	SPRING, SHAFT	2							
27	2	119717-11650	ARM ASSY, ROCKER INT	6							
28	3	129150-11230	SCREW, VALVE ADJUST	6							
30	3	129150-11750	NUT, M8XP1.0	6							
31	2	22242-000120	RING, 12	2							
32	2	119260-11270	SCREW	1							
33	1	26106-080402	BOLT, M8X 40 PLATED	3							
34	1	124160-01751	CAP, FILLER	1							
35	1	119717-11381	BONNET ASSY, HEAD	1							
36	2	119717-03031	PLATE, BAFFLE	1							
37	3	119717-03070	BAFFLE, BREATHER	1							
38	2	119717-03070	BAFFLE, BREATHER	2							
39	2	119802-03100	DIAPHRAGM ASSY	1							
40	3	119802-03110	PLATE, DIAPHRAGM	1							
41	3	119802-03121	COVER, DIAPHRAGM	1							
42	3	119802-03131	DIAPHRAGM, BREATHER	1							
43	3	119802-03141	SPRING, DIAPHRAGM	1							
45	2	119718-11310	GASKET, BONNET	1							
46	2	119717-11320	COVER, BONNET	1							
47	2	119717-11331	GASKET, BONNET COVER	1							
48	2	22857-500100	SCREW, 5X10	4							
49	2	22857-500100	SCREW, 5X10	4							
50	2	22857-500160	SCREW, 5X16	2							
51	1	24311-000320	O-RING, 1AP32.0	1							
52	1	26106-060202	BOLT, M6X 20 PLATED	3							
53	1	26106-060752	BOLT, M6X 75 PLATED	6							
54	1	129900-07900	LIFTER, ENGINE	2							
55	1	26106-080162	BOLT, M8X 16 PLATED	4							
56	1	119717-77801	PLUG, GLOW	3							
57	1	119717-77820	CONNECTOR, GLOW PLUG	1							
58	1	119717-11800	GUIDE, VALVE	6							1

Remarks  
(1)Spare parts.

Fig.5. EXHAUST MANIFOLD

(A)=3TNV80F-NXDDP  
(B)=  
(C)=

(D)=  
(E)=  
(F)=

No.	Lev.	Parts No.	Description	Q'ty						I	R
				(A)	(B)	(C)	(D)	(E)	(F)		
1	1	119740-13100	MANIFOLD, EXHAUST	1							
2	1	119717-13110	GASKET, MANIFOLD	1							
3	1	119717-13600	STUD, M8X50	2							
4	1	129E00-13610	BOLT, M8X50 10.9	2							
5	1	129E00-13630	BOLT, M8X71 10.9T	2							
6	1	119131-18320	STUD, M8X22	4							
7	1	26306-080002	NUT, M8	2							
8	1	119515-13200	GASKET, SILENCER	1							
9	1	119740-13500	SILENCER	1							
10	1	26106-100162	BOLT, M10X 16 PLATED	1							
11	1	26306-080002	NUT, M8	4							

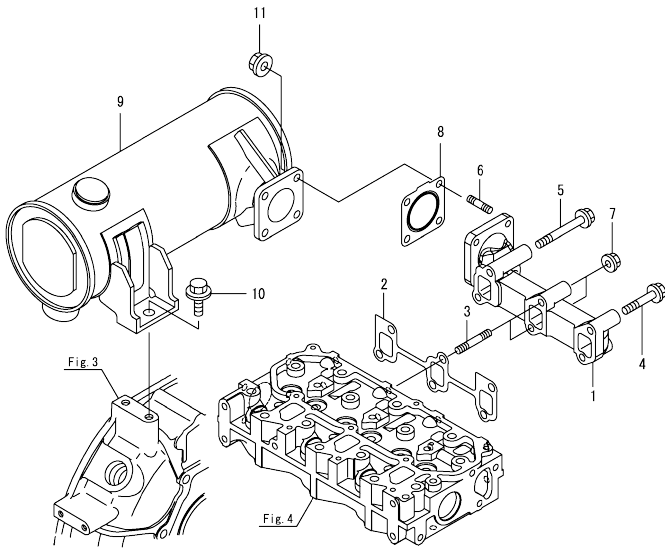
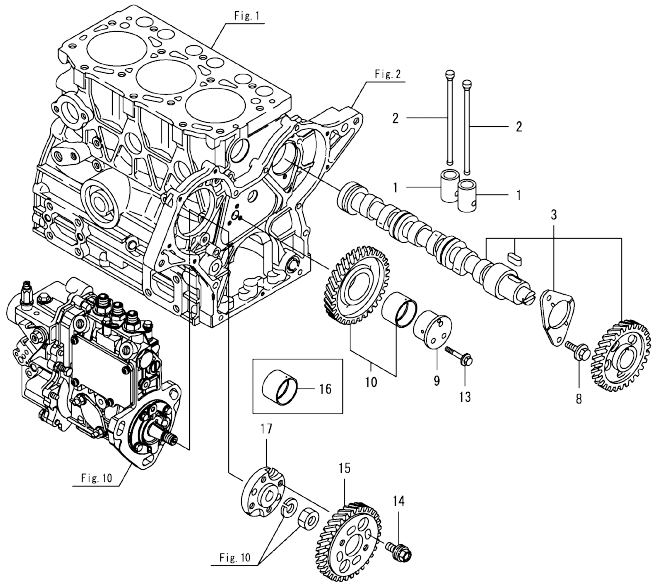




Fig.6. CAMSHAFT & DRIVING GEAR



(A)=3TNV80F-NXDDP  
(B)=  
(C)=

(D)=  
(E)=  
(F)=

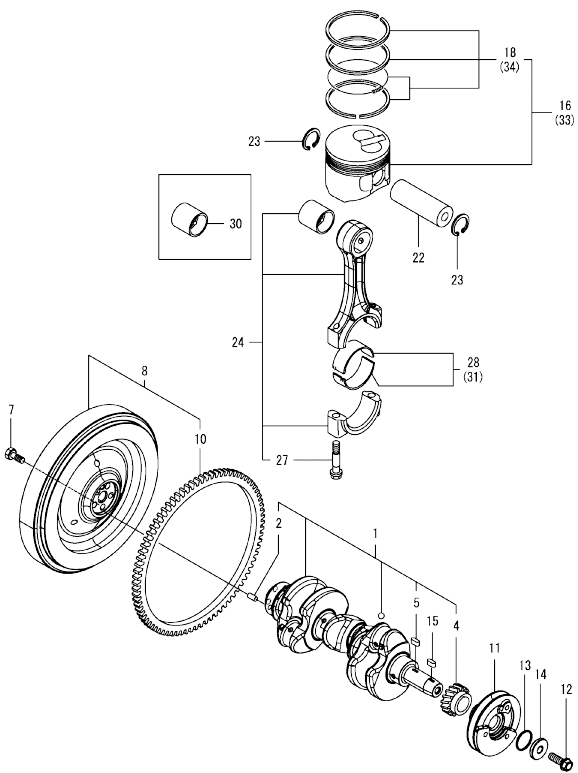
No.	Lev.	Parts No.	Description	Q'ty						I	R
				(A)	(B)	(C)	(D)	(E)	(F)		
1	1	119620-14200	TAPPET	6							
2	1	119717-14400	ROD, PUSH	6							
3	1	119717-14581	CAMSHAFT ASSY	1							
8	1	26106-060122	BOLT, M6X 12 PLATED	2							
9	1	119717-25050	SHAFT, IDLE GEAR	1							
10	1	119717-25101	GEAR ASSY, IDLE	1							
13	1	26106-060352	BOLT, M6X 35 PLATED	3							
14	1	129150-25301	BOLT, INJECTION PUMP	4							
15	1	119717-25930	GEAR, PUMP	1							
16	1	119717-25911	BUSH, IDLE GEAR	1							1
17	1	119717-51150	FLANGE, CAMSHAFT	1							

Remarks  
(1)Spare parts.

Fig.7. CRANKSHAFT & PISTON

(A)=3TNV80F-NXDDP  
(B)=  
(C)=

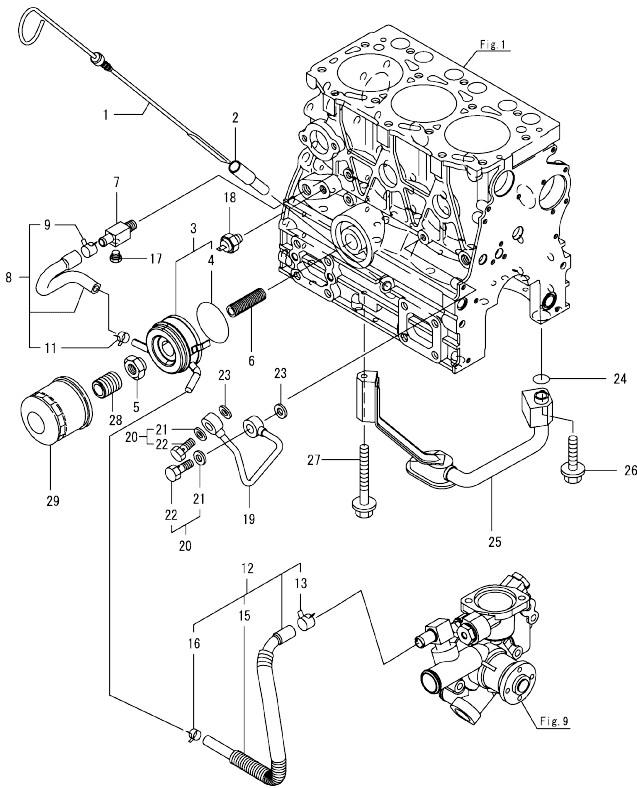
(D)=  
(E)=  
(F)=



No.	Lev.	Parts No.	Description	Q'ty						I	R
				(A)	(B)	(C)	(D)	(E)	(F)		
1	1	119E10-21700	CRANKSHAFT ASSY	1							
2	2	129100-01580	PIN, PARALLEL 8X16	1							
4	2	119717-21200	GEAR, CRANKSHAFT	1							
5	2	22512-040120	KEY, 4X 12	1							
7	1	121111-21501	BOLT, FLYWHEEL	5							
8	1	119E10-21590	FLYWHEEL ASSY	1							
10	2	119865-21600	GEAR, RING Z=116	1							
11	1	119C10-21650	V-PULLEY, CRANKSHAFT	1							
12	1	119621-21681	BOLT, FLANGE 12X1.25	1							
13	1	119C10-21931	PACKING, WASHER	1							
14	1	119C10-21940	WASHER, V-PULLEY	1							
15	1	22512-040120	KEY, 4X 12	1							
16	1	119E11-22080	PISTON ASSY	3							
18	2	119E10-22500	RING SET, PISTON	3							
22	1	119E10-22300	PIN, PISTON	3							
23	1	22252-000220	RING, 22	6							
24	1	119E10-23001	ROD ASSY, CONNECTING	3							
27	2	119717-23200	BOLT, CONNECTING ROD	6							
28	1	119717-23601	METAL ASSY, CRANK PIN	3							
30	1	119717-23911	BUSH, PISTON PIN	3							1
31	1	119717-23611	METAL ASSY, PIN .25	3							2
33	1	119E11-22900	PISTON ASSY, 0.25 OS	3							3
34	2	119E10-22550	RING SET, PISTON .25	3							3

Remarks  
(1) Spare parts.  
(2) Under-sized (U.S.=0.25) parts.  
(3) Over-sized (O.S.=0.25) parts.

Fig.8. LUB. OIL SYSTEM



(A)=3TNV80F-NXDDP  
(B)=  
(C)=

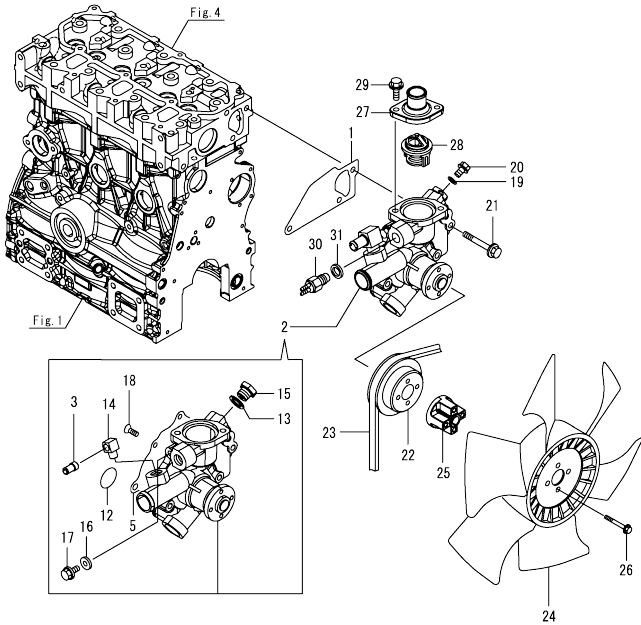
(D)=  
(E)=  
(F)=

No.	Lev.	Parts No.	Description	Q'ty						I	R
				(A)	(B)	(C)	(D)	(E)	(F)		
1	1	119746-34801	DIPSTICK	1							
2	1	121520-34810	GUIDE, DIPSTICK	1							
3	1	119717-33010	COOLER, OIL	1							
4	2	129508-33050	O-RING	1							
5	1	129417-33111	NUT, OIL COOLER	1							
6	1	119E11-35140	STUD, LO FILTER	1							
7	1	129006-44480	JOINT, R02	1							
8	1	119E11-49010	PIPE ASSY, COOLER IN	1							
9	2	171008-03990	CLAMP, HOSE 18.5	1							
11	2	23080-015000	CLAMP, 15	1							
12	1	129508-49040	HOSE ASSY, COOLER OUT	1							
13	2	171008-03990	CLAMP, HOSE 18.5	1							
15	2	119940-59130	TUBE, CORRUGATED 19	1							
16	2	23080-015000	CLAMP, 15	1							
17	1	171056-49120	PLUG, DRAIN R1/4	1							
18	1	119761-39450	SWITCH, HYDRAULIC	1							
19	1	119717-39210	PIPE, OIL	1							
20	1	129005-59830	BOLT ASSY, JOINT M8	2							
21	2	22190-080002	WASHER, SEAL 6	2							
22	2	23857-030000	BOLT, JOINT 3	2							
23	1	22190-080002	WASHER, SEAL 6	2							
24	1	119717-32060	O-RING, P15.0	1							
25	1	119744-35070	PIPE ASSY, OIL INLET	1							
26	1	26106-060352	BOLT, M6X 35 PLATED	1							
27	1	26106-060652	BOLT, M6X 65 PLATED	1							
28	1	119717-35140	BOLT, STUD	1							
29	1	119305-35151	FILTER ASSY, D68XL65	1							1

Remarks

(1)Spare parts.

Fig.9. COOLING WATER SYSTEM

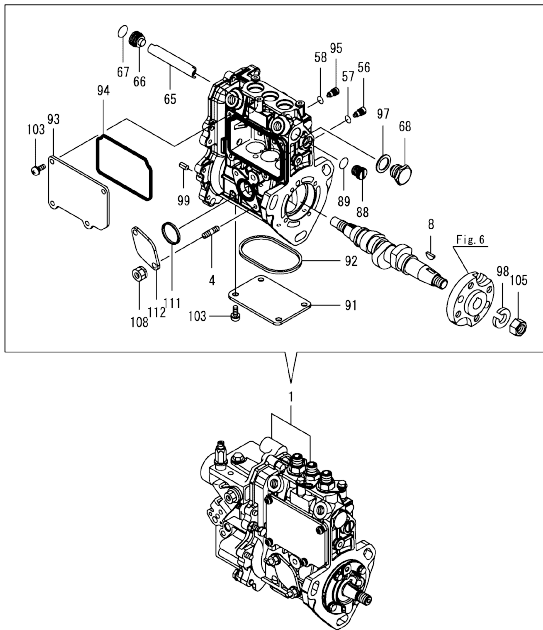


(A)=3TNV80F-NXDDP  
(B)=  
(C)=

(D)=  
(E)=  
(F)=

No.	Lev.	Parts No.	Description	Q'ty						I	R
				(A)	(B)	(C)	(D)	(E)	(F)		
1	1	119717-42020	GASKET, WATER PUMP	1							
2	1	119745-42100	PUMP ASSY, CW	1							
3	2	121851-11970	JOINT, PIPE 3/8	1							
5	2	119717-42031	GASKET, WATER PUMP	1							
12	2	119C10-42320	O-RING, 2028	1							
13	2	124465-44950	GASKET, 16	1							
14	2	119751-49310	JOINT, WATER RETURN	1							
15	2	119E11-49350	JOINT, AIR DRAIN	1							
16	2	23414-080000	GASKET, 8X1.0	1							
17	2	26106-080122	BOLT, M8X 12 PLATED	1							
18	2	26577-060122	SCREW, M6X12	4							
19	1	23414-080000	GASKET, 8X1.0	1							
20	1	26106-080122	BOLT, M8X 12 PLATED	1							
21	1	26106-080502	BOLT, M8X 50 PLATED	3							
22	1	119717-42350	V-PULLEY, PUMP D=100	1							
23	1	25152-003600	V-BELT, A36	1							
24	1	171340-44740	FAN, COOLING D335XNF	1							
25	1	129030-44760	SPACER, FAN L38.5	1							
26	1	26106-060502	BOLT, M6X 50 PLATED	4							
27	1	129350-49530	COVER, THERMOSTAT	1							
28	1	119717-49800	THERMOSTAT, 71C	1							
29	1	26106-080202	BOLT, M8X 20 PLATED	2							
30	1	119843-44900	SWITCH, TEMPERATURE	1							
31	1	124465-44950	GASKET, 16	1							

Fig.10. FUEL INJECTION PUMP



(A)=3TNV80F-NXDDP  
(B)=  
(C)=

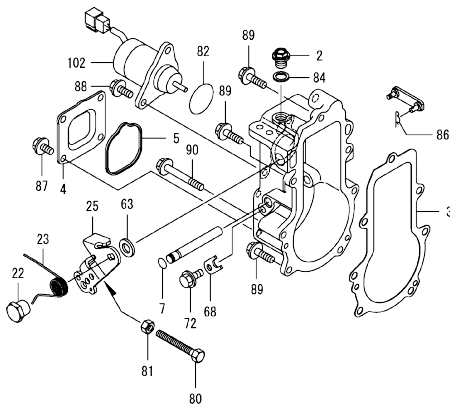
(D)=  
(E)=  
(F)=

No.	Lev.	Parts No.	Description	Q'ty						I	R
				(A)	(B)	(C)	(D)	(E)	(F)		
1	1	719E44-51400	FIE ASSY	1							1
4	2	129155-51020	STUD	2							
8	2	122710-51090	KEY, FEATHER	1							
56	2	158600-51270	STOPPER, TAPPET	3							
57	2	129155-51280	O-RING, S6	3							
58	2	129155-51280	O-RING, S6	1							
65	2	129155-51400	PROTECTOR	1							
66	2	158600-51410	PLUG, DEFLIFTER M12	1							
67	2	119717-51420	O-RING	1							
68	2	158600-51420	PLUG, DEFLIFTER M16	1							
88	2	158600-51570	PLUG, RACK	1							
89	2	129155-51580	O-RING	1							
91	2	129155-51701	COVER, PUMP BOTTOM	1							
92	2	119717-51711	GASKET, PUMP	1							
93	2	119717-51750	COVER, BODY SIDE	1							
94	2	119717-51761	GASKET, PUMP COVER	1							
95	2	158600-51790	STOPPER, RACK	1							
97	2	22190-160002	WASHER, SEAL 16	1							
98	2	22217-120000	WASHER, SPRING 12	1							
99	2	22351-050010	PIN, SPRING 5.0X10	2							
103	2	26022-050122	SCREW, M5X12	8							
105	2	26716-120002	NUT, M12	1							
108	2	119717-51860	NUT, M6	2							
111	2	129155-52051	GASKET, PUMP COVER	1							
112	2	129100-52200	COVER, FEED PUMP	1							

Remarks

(1)Governor(Fig.11) is incorporated in this Fuel Injection Pump(No.1).

Fig.11. GOVERNOR



(A)=3TNV80F-NXDDP  
(B)=  
(C)=

(D)=  
(E)=  
(F)=

No.	Lev.	Parts No.	Description	Q'ty						I	R
				(A)	(B)	(C)	(D)	(E)	(F)		
2	2	119717-51930	PLUG, M10	1							
3	2	119717-61050	GASKET	1							
4	2	119717-61060	COVER, GOVERNOR CASE	1							
5	2	119717-61070	GASKET	1							
7	2	129155-51280	O-RING, S6	1							
22	2	129255-61410	NUT, M8	1							
23	2	119534-61420	SPRING, LEVER	1							
25	2	119515-61440	LEVER, CONTROL	1							
63	2	158552-61700	SHIM SET	1							
68	2	119660-61901	STOPPER, SHAFT	1							
72	2	26106-060102	BOLT, M6X 10 PLATED	1							
80	2	129155-61461	BOLT, IDLE LIMIT	1							
81	2	119740-61470	NUT	1							
82	2	158552-61900	O-RING	1							
84	2	22190-100002	WASHER, SEAL 10	1							
86	2	22372-040000	PIN, SNAP 4	1							
87	2	26106-060102	BOLT, M6X 10 PLATED	4							
88	2	26106-060142	BOLT, M6X 14 PLATED	2							
89	2	26106-060202	BOLT, M6X 20 PLATED	4							
90	2	26106-060452	BOLT, M6X 45 PLATED	3							
102	2	129630-77910	SOLENOID, STOP	1							

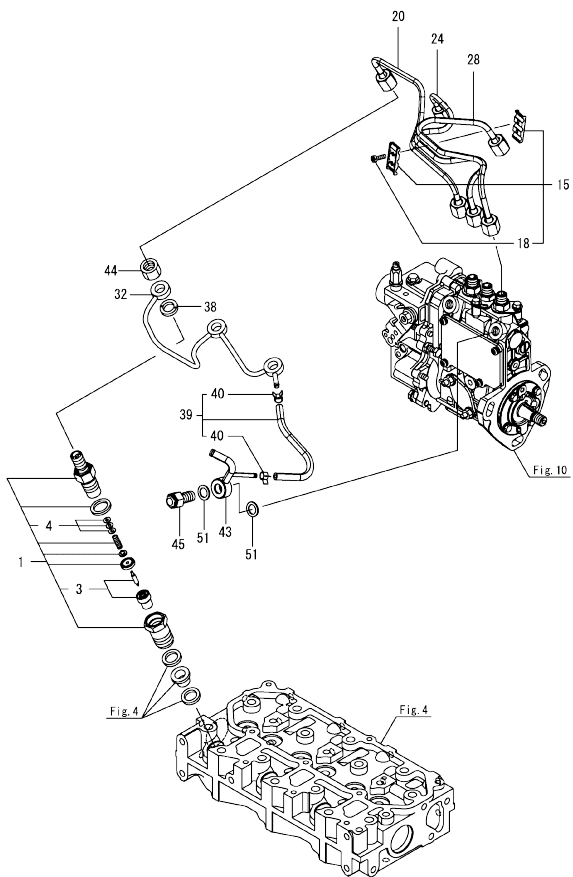
Remarks

\* This figure(Governor) is incorporated in the Fuel Injection Pump(Fig.10).

Fig.12. FUEL INJECTION VALVE

(A)=3TNV80F-NXDDP  
(B)=  
(C)=

(D)=  
(E)=  
(F)=



No.	Lev.	Parts No.	Description	Q'ty						I	R
				(A)	(B)	(C)	(D)	(E)	(F)		
1	1	119C10-53000	VALVE ASSY,INJECTION	3							
3	2	119C10-53010	VALVE ASSY,INJECTION	3							
4	2	129901-53800	SHIM SET, ADJUSTING	3							1
15	1	129150-59120	RETAINER, PIPE	1							
18	2	129150-59131	BOLT, M4X14	2							
20	1	119E10-59810	PIPE ASSY, INJECTION	1							
24	1	119E10-59820	PIPE, INJECTION NO.2	1							
28	1	119E10-59830	PIPE, INJECTION NO.3	1							
32	1	119717-59510	PIPE ASSY, RETURN	1							
38	1	129901-59560	GASKET, FUEL RETURN	3							
39	1	119744-59560	HOSE ASSY, RETURN	1							
40	2	124066-59100	CLAMP, HOSE 8	2							
43	1	119515-59581	JOINT, OVERFLOW	1							
44	1	119620-59700	NUT, NOZZLE RETURN	3							
45	1	119813-59950	VALVE ASSY, CHECK	1							
51	1	22190-120002	WASHER, SEAL 12	2							

Remarks

(1)Spare parts.

OCD50-M06880 ENGINE

Fig.13. FUEL PIPE

OCD50-M06880 Fig.13

(A)=3TNV80F-NXDDP  
(B)=  
(C)=

(D)=  
(E)=  
(F)=

No.	Lev.	Parts No.	Description	Q'ty					
				(A)	(B)	(C)	(D)	(E)	(F)
1	1	103854-39140	BOLT, PIPE JOINT	1					
2	1	101304-59020	JOINT, PIPE 12	1					
3	1	22190-120002	WASHER, SEAL 12	2					

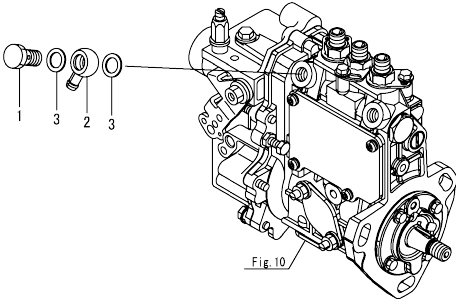
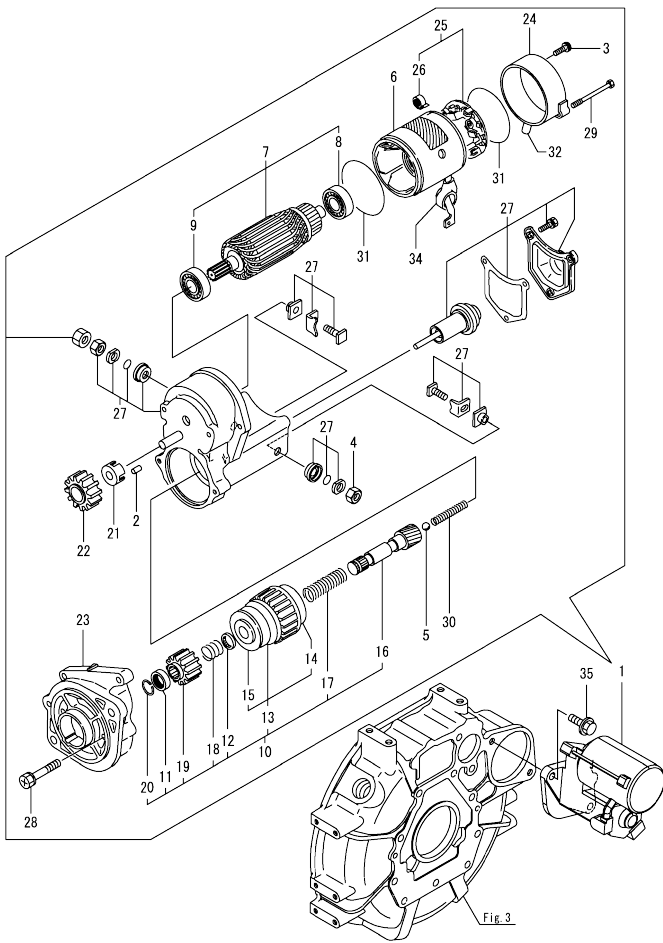




Fig.14. STARTER MOTOR

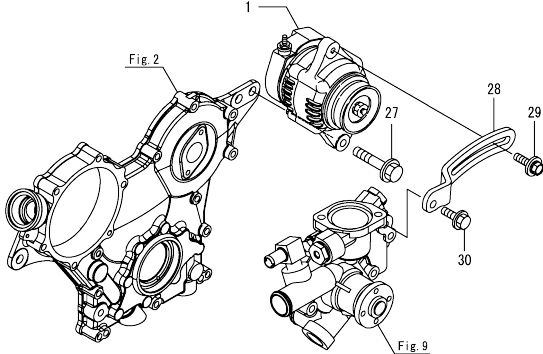
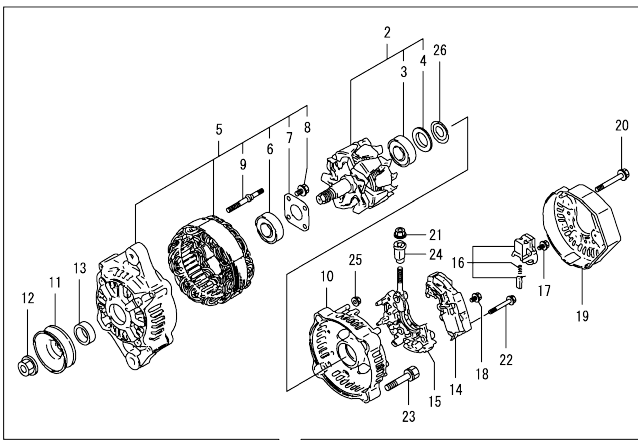


(A)=3TNV80F-NXDDP  
(B)=  
(C)=

(D)=  
(E)=  
(F)=

No.	Lev.	Parts No.	Description	Qty						I	R
				(A)	(B)	(C)	(D)	(E)	(F)		
1	1	119740-77020	STARTER, RA1.4	1							
2	2	X0283060061	ROLLER	5							
3	2	129129-77460	SCREW	2							
4	2	X9490561370	NUT	1							
5	2	X9491200240	BALL, STEEL	1							
6	2	129407-77210	YOKE ASSY	1							
7	2	129407-77220	ARMATURE ASSY	1							
8	3	129129-77230	BEARING, BALL	1							
9	3	129129-77240	BEARING, BALL	1							
10	2	X1280996680	STARTER KIT	1							
11	3	X0280210230	NUT, PINION STOP	1							
12	3	X0283270140	RETAINER, SNAP	1							
13	3	129129-77390	CLUTCH ASSY, STARTER	1							
14	4	129129-77440	BEARING, BALL	1							
15	4	129129-77450	BEARING, BALL	1							
16	3	129129-77400	SHAFT, STARTER	1							
17	3	129129-77410	SPRING, COIL	1							
18	3	129407-77410	SPRING, COIL	1							
19	3	X0283712350	PINION, STARTER	1							
20	3	129129-77430	RING, SNAP	1							
21	2	129129-77260	RETAINER	1							
22	2	129129-77270	PINION	1							
23	2	X4284003310	HOUSING	1							
24	2	129407-77290	FRAME	1							
25	2	129407-77300	HOLDER ASSY	1							
26	3	X9491730461	SPRING, BRUSH	4							
27	2	X1534004151	SWITCH ASSY	1							
28	2	129129-77320	BOLT, W/WASHER	2							
29	2	129407-77330	BOLT	2							
30	2	129129-77340	SPRING	1							
31	2	129129-77350	O-RING	2							
32	2	129129-77362	COVER	1							
34	2	129129-77380	CAP	1							
35	1	26106-100252	BOLT, M10X 25 PLATED	2							

Fig.15. GENERATOR



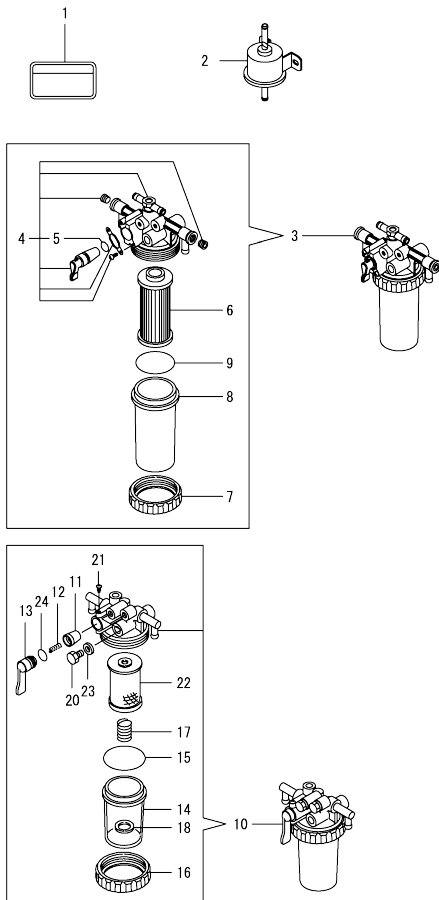
(A)=3TNV80F-NXDDP  
(B)=  
(C)=

(D)=  
(E)=  
(F)=

No.	Lev.	Parts No.	Description	Qty					
				(A)	(B)	(C)	(D)	(E)	(F)
1	1	129423-77210	ALTERNATOR, 12V-40A	1					
2	2	119620-77380	ROTOR ASSY	1					
3	3	123501-79240	BEARING, BALL	1					
4	3	119620-79250	COVER, BEARING	1					
5	2	119620-77421	FRAME ASSY, DRIVE	1					
6	3	119620-79200	BEARING, BALL	1					
7	3	119620-79210	PLATE, RETAINER	1					
8	3	119620-79220	SCREW	4					
9	3	119620-79230	STUD	2					
10	2	119620-77440	FRAME ASSY, REAR	1					
11	2	119620-77461	PULLEY, GENERATOR	1					
12	2	119620-77471	NUT	1					
13	2	119620-77490	COLLAR	1					
14	2	129423-77730	REGULATOR ASSY	1					
15	2	119620-79260	HOLDER ASSY	1					
16	2	129052-79270	HOLDER ASSY, BRUSH	1					
17	2	119620-79290	SCREW	6					
18	2	119620-79300	SCREW	1					
19	2	129240-79300	COVER	1					
20	2	119620-79310	BOLT	3					
21	2	129240-79310	NUT	1					
22	2	119620-79320	SCREW, W/WASHER	2					
23	2	119620-79330	BOLT	2					
24	2	119620-79340	BUSH, INSULATION	1					
25	2	119620-79350	NUT	2					
26	2	119620-79360	WASHER, THRUST	1					
27	1	26106-100452	BOLT, M10X 45 PLATED	1					
28	1	119717-77330	ADJUSTER, BELT	1					
29	1	119810-77340	BOLT, ADJUSTER L=30	1					
30	1	26106-080202	BOLT, M8X 20 PLATED	1					

OCD50-M06880 ENGINE  
 Fig.16. ACCESSORY

OCD50-M06880 Fig.16



No.	Lev.	Parts No.	Description	Q'ty						I	R
				(A)	(B)	(C)	(D)	(E)	(F)		
1	1	114110-07761	LABEL, FUEL CAUTION	1							
2	1	119225-52102	PUMP, FUEL FEED	1							1
3	1	119833-55630	FILTER ASSY, FUEL	1							
4	2	119833-55640	BODY ASSY, FILTER	1							
5	3	24311-000110	O-RING, 1AP11.0	1							
6	2	119833-55650	ELEMENT, FUEL	1							
7	2	119833-55660	RING, RETAINING	1							
8	2	119833-55670	BOWL, STRAINER	1							
9	2	24311-000440	O-RING, 1AP4.0	1							
10	1	129335-55701	SEPARATOR ASSY, WATER	1							
11	2	104200-55321	VALVE, TAPER	1							
12	2	104200-55330	SPRING, FUEL VALVE	1							
13	2	104200-55341	HANDLE, COCK	1							
14	2	124064-55510	CUP, FUEL STARINER	1							
15	2	102103-55520	O-RING, FILTER	1							
16	2	110250-55610	RING, CUP RETAINING	1							
17	2	121257-55720	SPRING, ELEMENT	1							
18	2	121257-55731	FLOAT	1							
20	2	101720-55750	PLUG, HEXAGON M6	2							
21	2	104200-55750	SCREW, M4	1							
22	2	171081-55910	FILTER, FUEL 100M	1							
23	2	23418-060000	GASKET, 6X1.0	2							
24	2	24311-240100	O-RING, 1AP10A	1							

## Parts No. Index

Parts No.	Fig. No.	Ref. No.
101304-59020	13	2
101720-55750	16	20
102103-55520	16	15
103854-39140	13	1
104200-55321	16	11
104200-55330	16	12
104200-55341	16	13
104200-55750	16	21
105010-11490	4	3
105311-01090	1	4
105425-01690	3	7
110250-55610	16	16
114110-07761	16	1
119131-18320	5	6
119225-52102	16	2
119260-11270	4	32
119285-01990	1	6
119285-11990	4	11
119305-35151	8	29
119515-13200	5	8
119515-59581	12	43
119515-61440	11	25
119534-61420	11	23
119600-11460	4	2
119620-01750	3	14
119620-02020	1	7
119620-11280	4	26
119620-14200	6	1
119620-59700	12	44
119620-77380	15	2
119620-77421	15	5
119620-77440	15	10
119620-77461	15	11
119620-77471	15	12
119620-77490	15	13
119620-79200	15	6
119620-79210	15	7
119620-79220	15	8
119620-79230	15	9
119620-79250	15	4
119620-79260	15	15
119620-79290	15	17
119620-79300	15	18
119620-79310	15	20
119620-79320	15	22
119620-79330	15	23
119620-79340	15	24
119620-79350	15	25
119620-79360	15	26
119621-21681	7	12

Parts No.	Fig. No.	Ref. No.
119623-01250	1	5
119624-32040	2	18
119660-01911	2	17
119660-61901	11	68
119717-01501	2	1
119717-01521	2	5
119717-01570	2	2
119717-01601	3	2
119717-01720	3	4
119717-01750	2	16
119717-01800	2	7
119717-02411	1	10
119717-02930	1	23
119717-03031	4	36
119717-03070	4	37
		38
119717-11131	4	15
119717-11190	4	17
119717-11200	4	21
119717-11240	4	22
119717-11260	4	25
119717-11320	4	46
119717-11331	4	47
119717-11340	4	18
119717-11350	4	19
119717-11381	4	35
119717-11650	4	27
119717-11800	4	58
119717-13110	5	2
119717-13600	5	3
119717-14400	6	2
119717-14581	6	3
119717-21200	7	4
119717-23200	7	27
119717-23601	7	28
119717-23611	7	31
119717-23911	7	30
119717-25050	6	9
119717-25101	6	10
119717-25911	6	16
119717-25930	6	15
119717-32050	2	19
119717-32060	8	24
119717-32080	2	9
119717-32100	2	8
119717-32110	2	13
119717-32120	2	14
119717-33010	8	3
119717-35140	8	28
119717-39210	8	19

Parts No.	Fig. No.	Ref. No.
119717-42020	9	1
119717-42031	9	5
119717-42350	9	22
119717-49800	9	28
119717-51150	6	17
119717-51420	10	67
119717-51711	10	92
119717-51750	10	93
119717-51761	10	94
119717-51860	10	108
119717-51930	11	2
119717-59510	12	32
119717-61050	11	3
119717-61060	11	4
119717-61070	11	5
119717-77330	15	28
119717-77801	4	56
119717-77820	4	57
119718-11310	4	45
119734-01590	2	3
119734-02220	3	3
119740-13100	5	1
119740-13500	5	9
119740-61470	11	81
119740-77020	14	1
119744-35070	8	25
119744-59560	12	39
119745-42100	9	2
119746-01790	3	6
119746-34801	8	1
119751-49310	9	14
119761-39450	8	18
119802-03100	4	39
119802-03110	4	40
119802-03121	4	41
119802-03131	4	42
119802-03141	4	43
119802-32130	2	15
119810-01200	1	26
119810-02941	1	34
119810-77340	15	29
119813-59950	12	45
119833-55630	16	3
119833-55640	16	4
119833-55650	16	6
119833-55660	16	7
119833-55670	16	8
119843-44900	9	30
119865-21600	7	10
119940-59130	8	15

Parts No.	Fig. No.	Ref. No.
119C10-21650	7	11
119C10-21931	7	13
119C10-21940	7	14
119C10-42320	9	12
119C10-53000	12	1
119C10-53010	12	3
119E00-01560	1	1
119E10-01330	1	27
119E10-11100	4	13
119E10-11110	4	14
119E10-11750	4	4
119E10-21590	7	8
119E10-21700	7	1
119E10-22300	7	22
119E10-22500	7	18
119E10-22550	7	34
119E10-23001	7	24
119E10-59810	12	20
119E10-59820	12	24
119E10-59830	12	28
119E11-22080	7	16
119E11-22900	7	33
119E11-35140	8	6
119E11-49010	8	8
119E11-49350	9	15
121111-21501	7	7
121257-55720	16	17
121257-55731	16	18
121520-34810	8	2
121850-51960	2	20
121851-11970	9	3
122710-51090	10	8
123501-79240	15	3
124060-01050	1	11
124064-55510	16	14
124066-59100	12	40
124160-01751	2	28
	4	34
124160-01910	1	12
124465-44950	9	13
		31
129001-32320	2	11
129001-32330	2	12
129005-59830	8	20
129006-44480	8	7
129030-44760	9	25
129052-79270	15	16
129100-01580	3	1
	7	2
129100-52200	10	112

## Parts No. Index

Parts No.	Fig. No.	Ref. No.
129129-77230	14	8
129129-77240	14	9
129129-77260	14	21
129129-77270	14	22
129129-77320	14	28
129129-77340	14	30
129129-77350	14	31
129129-77362	14	32
129129-77380	14	34
129129-77390	14	13
129129-77400	14	16
129129-77410	14	17
129129-77430	14	20
129129-77440	14	14
129129-77450	14	15
129129-77460	14	3
129150-11230	4	28
129150-11750	4	30
129150-25301	6	14
129150-59120	12	15
129150-59131	12	18
129155-51020	10	4
129155-51280	10	57
		58
	11	7
129155-51400	10	65
129155-51580	10	89
129155-51701	10	91
129155-52051	10	111
129155-61461	11	80
129240-79300	15	19
129240-79310	15	21
129255-61410	11	22
129335-55701	16	10
129350-49530	9	27
129407-77210	14	6
129407-77220	14	7
129407-77290	14	24
129407-77300	14	25
129407-77330	14	29
129407-77410	14	18
129417-33111	8	5
129423-77210	15	1
129423-77730	15	14
129508-11180	4	16
129508-33050	8	4
129508-49040	8	12
129630-77910	11	102
129900-07900	4	54
129900-32130	2	10

Parts No.	Fig. No.	Ref. No.
129901-11450	4	1
129901-53800	12	4
129901-59560	12	38
129E00-13610	5	4
129E00-13630	5	5
158552-61700	11	63
158552-61900	11	82
158600-51270	10	56
158600-51410	10	66
158600-51420	10	68
158600-51570	10	88
158600-51790	10	95
171008-03990	8	9
		13
171056-49120	8	17
171081-55910	16	22
171340-44740	9	24
22190-080002	8	21
		23
22190-100002	11	84
22190-120002	12	51
	13	3
22190-160002	3	9
	10	97
22217-120000	10	98
22242-000120	4	31
22252-000220	7	23
22351-050010	10	99
22351-060012	4	20
22372-040000	11	86
22512-040120	7	5
	15	15
22857-500100	4	48
		49
22857-500160	4	50
23080-015000	8	11
		16
23414-080000	9	16
		19
23418-060000	16	23
23857-030000	8	22
23876-005000	4	12
23876-030000	2	6
24311-000110	16	5
24311-000320	2	29
	4	51
24311-000440	16	9
24311-240100	16	24
25152-003600	9	23
26022-050122	10	103

Parts No.	Fig. No.	Ref. No.
26106-060102	11	72
		87
26106-060122	2	21
	6	8
26106-060142	11	88
26106-060162	2	22
26106-060202	4	52
	11	89
26106-060352	6	13
	8	26
26106-060402	2	23
		24
26106-060452	11	90
26106-060502	9	26
26106-060602	2	25
26106-060652	2	26
	8	27
26106-060752	4	53
26106-080122	9	17
		20
26106-080162	4	55
26106-080202	9	29
	15	30
26106-080252	3	10
26106-080302	3	11
26106-080402	4	33
26106-080452	3	12
26106-080502	9	21
26106-080602	3	13
26106-100162	5	10
26106-100252	14	35
26106-100452	15	27
26206-100252	3	15
26206-100302	3	16
26306-080002	2	27
	5	7
		11
26577-060122	9	18
26716-120002	10	105
27241-120000	1	13
719717-02901	1	28
719717-02911	1	31
719734-01500	2	4
719E44-51400	10	1
X0280210230	14	11
X0283060061	14	2
X0283270140	14	12
X0283712350	14	19
X1280996680	14	10
X1534004151	14	27

Parts No.	Fig. No.	Ref. No.
X4284003310	14	23
X9490561370	14	4
X9491200240	14	5
X9491730461	14	26