

0CD50-M03860EN

P R E F A C E

This parts catalog is the 1st edition of 3TNV80F-NXDJFM for John Deere Turf Care.

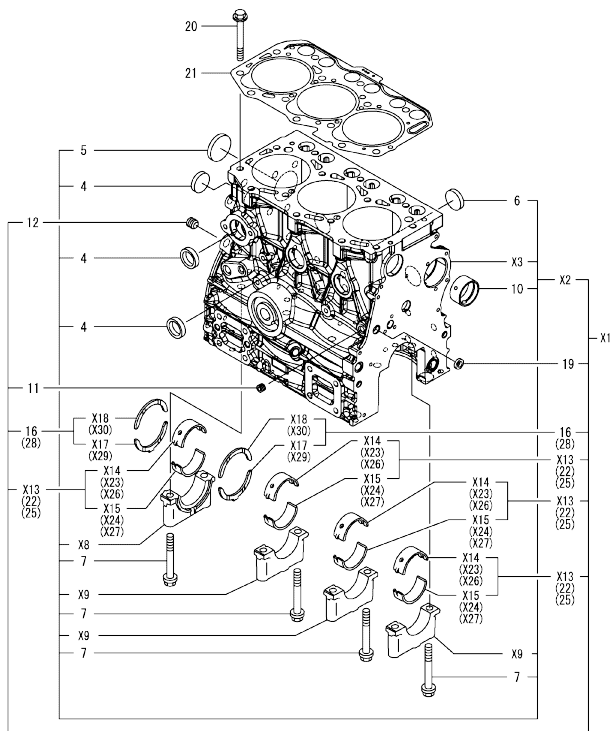
Published : April, 2018

Contents

OCD50-M03860

Fig. No.	Fig. Name	Fig. No.	Fig. Name
ENGINE			
1.	CYLINDER BLOCK		
2.	GEAR HOUSING		
3.	FLYWHEEL HOUSING & OIL SUMP		
4.	CYLINDER HEAD & BONNET		
5.	EXHAUST MANIFOLD & SILENCER		
6.	CAMSHAFT & DRIVING GEAR		
7.	CRANKSHAFT & PISTON		
8.	LUB. OIL SYSTEM		
9.	COOLING WATER SYSTEM		
10.	FUEL INJECTION PUMP		
11.	GOVERNOR		
12.	FUEL INJECTION VALVE		
13.	FUEL PIPE		
14.	STARTER MOTOR		
15.	ACCESSORY		
16.	GASKET SET		

Fig.1. CYLINDER BLOCK



X-MARK PARTS: NOT SOLD SEPARATELY

(A)=3TNV80F-NXDJFM
(B)=
(C)=

(D)=
(E)=
(F)=

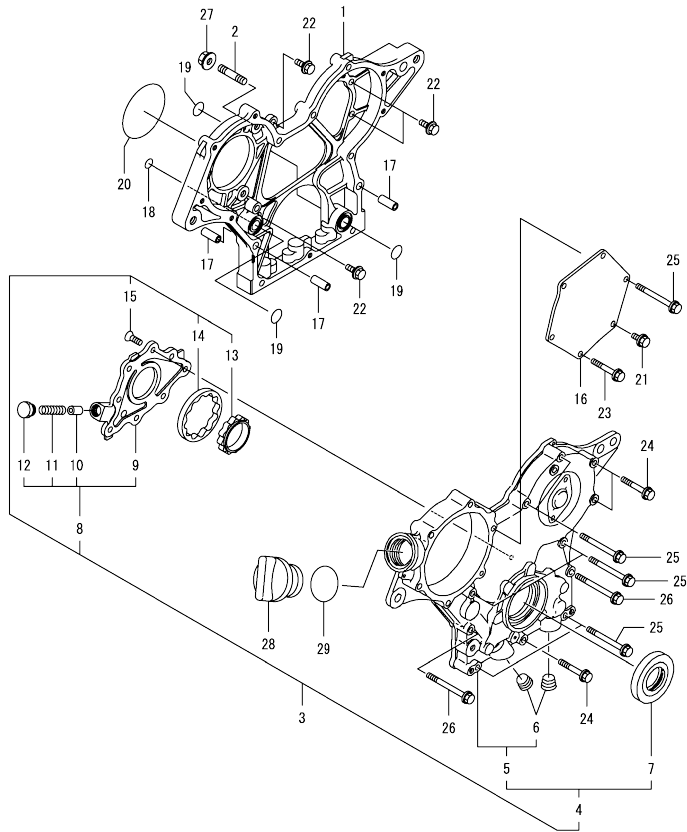
No.	Lev.	Parts No.	Description	Q'ty						I	R
				(A)	(B)	(C)	(D)	(E)	(F)		
4	3	105311-01090	PLUG, 30	4							
5	3	119623-01250	PLUG, 45	1							
6	3	119285-01990	PLUG, 25	3							
7	3	119620-02020	BOLT, METAL CAP	8							
10	3	119717-02411	BUSH, CAMSHAFT	1							
11	2	124060-01050	PLUG, PT1/8	1							
12	2	124160-01910	PLUG, PT1/4	1							
16	2	119717-02930	METAL ASSY, THRUST	2							
19	2	27241-120000	PLUG, 12	1							
20	1	119810-01200	BOLT, CYLINDER HEAD	14							
21	1	119E10-01330	GASKET SET, HEAD	1							
22	1	719717-02901	METAL ASSY, MAIN	4							1
25	1	119717-02870	METAL, MAIN 0.25 US	4							2
28	1	119810-02941	METAL ASSY, 0.25 OS	2							3

- Remarks
 (1)Spare parts.
 (2)Under-sized(U.S.=0.25) parts.
 (3)Over-sized(O.S.=0.25) parts.

Fig.2. GEAR HOUSING

(A)=3TNV80F-NXDJFM
(B)=
(C)=

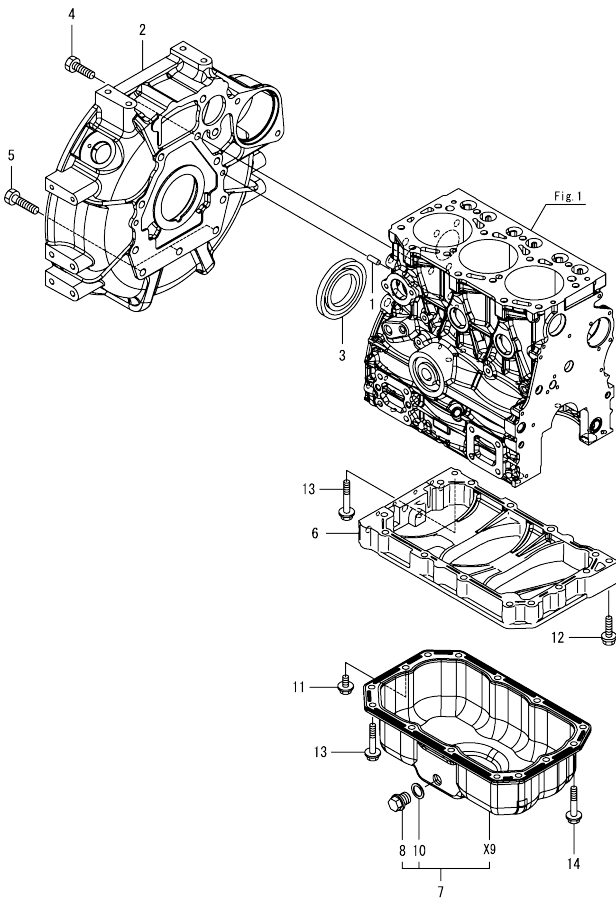
(D)=
(E)=
(F)=



No.	Lev.	Parts No.	Description	Qty						I	R
				(A)	(B)	(C)	(D)	(E)	(F)		
1	1	119717-01501	CASE, GEAR	1							
2	1	119717-01570	STUD	3							
3	1	119734-01590	COVER ASSY, CASE	1							
4	2	719734-01500	COVER ASSY, CASE	1							
5	3	119717-01521	COVER, GEAR CASE	1							
6	4	23876-030000	PLUG, R03	2							
7	3	119717-01800	SEAL, OIL	1							
8	2	119717-32100	COVER ASSY, PUMP	1							
9	3	119717-32080	COVER, OIL PUMP	1							
10	3	129900-32130	VALVE, RELIEF	1							
11	3	129001-32320	SPRING	1							
12	3	129001-32330	PLUG	1							
13	2	119717-32110	ROTOR, INNER	1							
14	2	119717-32120	ROTOR, OUTER	1							
15	2	119802-32130	SCREW, M6X16	8							
16	1	119717-01750	COVER, PUMP	1							
17	1	119660-01911	PIPE, KNOCK 6X17	4							
18	1	119624-32040	O-RING, P12.0	1							
19	1	119717-32050	O-RING, P17.0	3							
20	1	121850-51960	O-RING, FUEL PUMP	1							
21	1	26106-060122	BOLT, M6X 12 PLATED	1							
22	1	26106-060162	BOLT, M6X 16 PLATED	4							
23	1	26106-060402	BOLT, M6X 40 PLATED	4							
24	1	26106-060402	BOLT, M6X 40 PLATED	3							
25	1	26106-060602	BOLT, M6X 60 PLATED	7							
26	1	26106-060652	BOLT, M6X 65 PLATED	2							
27	1	26306-080002	NUT, M8	3							
28	1	124160-01751	CAP, FILLER	1							
29	1	243111-000320	O-RING, 1AP32.0	1							

N:Old $\frac{New}{Old}$ New, Q:Old $\frac{New}{Old}$ New, R:Old $\frac{New}{Old}$ New, S:Old $\frac{New}{Old}$ New, W:Add, Z:Discontinued, F:Interchangeable by set, K:Qty Change
Copyright (C) 2018 YANMAR CO., LTD. All Rights Reserved.

Fig.3. FLYWHEEL HOUSING & OIL SUMP



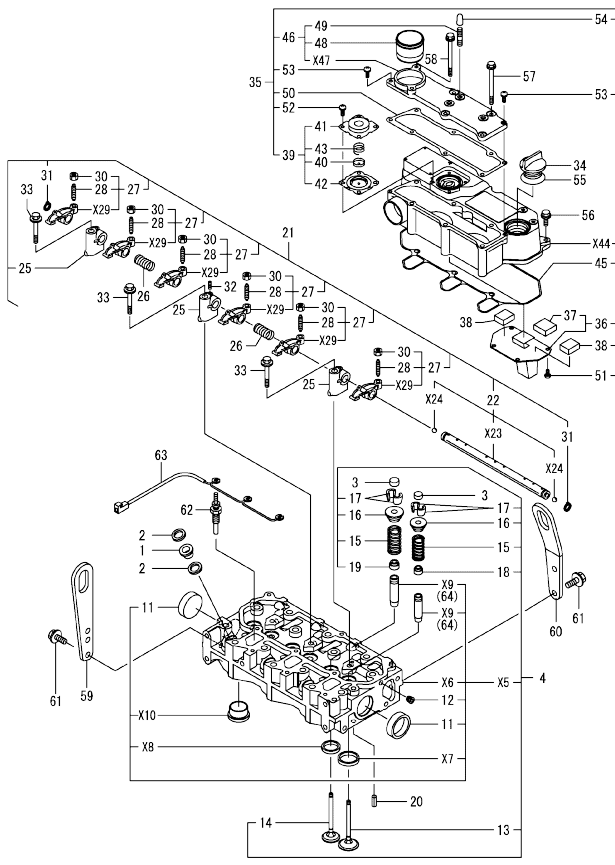
X-MARK PARTS: NOT SOLD SEPARATELY

(A)=3TNV80F-NXDJFM
(B)=
(C)=

(D)=
(E)=
(F)=

No.	Lev.	Parts No.	Description	Q'ty						I	R
				(A)	(B)	(C)	(D)	(E)	(F)		
1	1	129100-01580	PIN, PARALLEL 8X16	2							
2	1	119E21-01600	HOUSING, FLYWHEEL	1							
3	1	119734-02220	SEAL, OIL WHEEL SIDE	1							
4	1	26206-100252	BOLT, M10X 25 PLATED	8							
5	1	26206-100302	BOLT, M10X 30 PLATED	3							
6	1	119717-01720	SPACER, OIL PAN	1							
7	1	119717-01770	OIL PAN ASSY	1							
8	2	105425-01690	PLUG, DRAIN M16	1							
10	2	22190-160002	WASHER, SEAL 16	1							
11	1	26106-080122	BOLT, M8X 12 PLATED	1							
12	1	26106-080302	BOLT, M8X 30 PLATED	1							
13	1	26106-080452	BOLT, M8X 45 PLATED	11							
14	1	26106-080502	BOLT, M8X 50 PLATED	3							

Fig.4. CYLINDER HEAD & BONNET



X-MARK PARTS: NOT SOLD SEPARATELY

Remarks
(1) Spare parts.

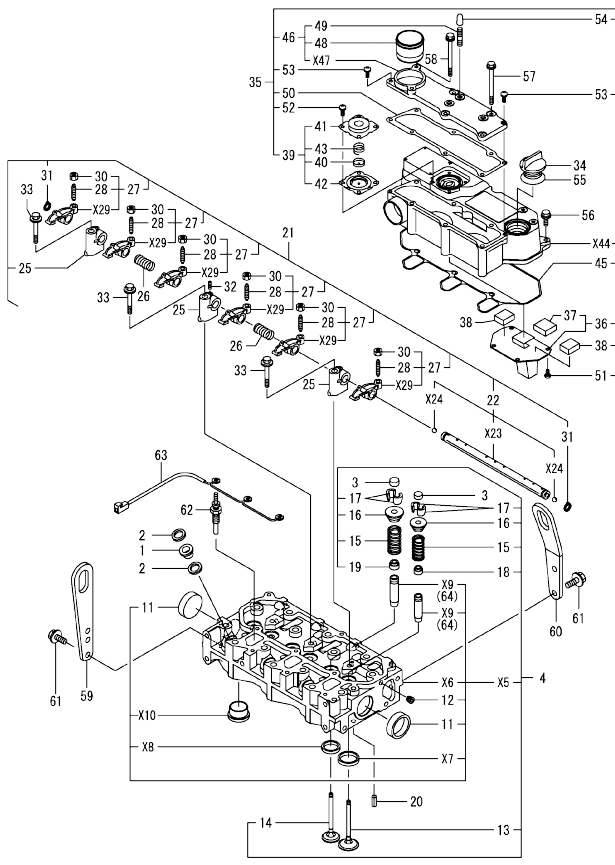
(A)=3TNV80F-NXDJFM
(B)=
(C)=

(D)=
(E)=
(F)=

No.	Lev.	Parts No.	Description	Q'ty						I	R
				(A)	(B)	(C)	(D)	(E)	(F)		
1	1	129901-11450	PROTECTOR, NOZZLE	3							
2	1	119600-11460	GASKET, NOZZLE	6							
3	1	105010-11490	CAP, VALVE	6							
4	1	119E10-11750	HEAD ASSY, CYLINDER	1							
11	3	119285-11990	PLUG, 35	2							
12	3	23876-005000	PLUG, R005	1							
13	2	119E10-11100	VALVE, INTAKE	3							
14	2	119E10-11110	VALVE, EXHAUST	3							
15	2	119717-11131	SPRING, VALVE	6							
16	2	129508-11180	RETAINER, SPRING	6							
17	2	119717-11190	COTTER, VALVE	12							
18	2	119717-11340	SEAL, VALVE STEM	3							
19	2	119717-11350	SEAL, VALVE STEM	3							
20	1	22351-060012	PIN, SPRING 6.0X12	2							
21	1	119717-11200	SUPPORT ASSY, ROCKER	1							
22	2	119717-11240	SHAFT ASSY, ARM	1							
25	2	119717-11260	SUPPORT, ROCKER ARM	3							
26	2	119620-11280	SPRING, SHAFT	2							
27	2	119717-11650	ARM ASSY, ROCKER INT	6							
28	3	129150-11230	SCREW, VALVE ADJUST	6							
30	3	129150-11750	NUT, M8X1.0	6							
31	2	22242-000120	RING, 12	2							
32	2	26979-050162	SCREW, M5X16	1							
33	1	26106-080402	BOLT, M8X 40 PLATED	3							
34	1	124160-01751	CAP, FILLER	1							
35	1	119734-11380	BONNET ASSY, HEAD	1							
36	2	119717-03031	PLATE, BAFFLE	1							
37	3	119717-03070	BAFFLE, BREATHER	1							
38	2	119717-03070	BAFFLE, BREATHER	2							
39	2	119802-03100	DIAPHRAGM ASSY	1							
40	3	119802-03110	PLATE, DIAPHRAGM	1							
41	3	119802-03121	COVER, DIAPHRAGM	1							
42	3	119802-03131	DIAPHRAGM, BREATHER	1							
43	3	119802-03141	SPRING, DIAPHRAGM	1							
45	2	119718-11310	GASKET, BONNET	1							
46	2	119734-11320	COVER ASSY, BONNET	1							
48	3	119734-11340	JOINT	1							
49	3	26216-080222	STUD, M8X 22	3							
50	2	119717-11331	GASKET, BONNET COVER	1							
51	2	22857-500100	SCREW, 5X10	4							
52	2	22857-500100	SCREW, 5X10	4							
53	2	22857-500160	SCREW, 5X16	2							
54	2	119802-59580	CAP, FUEL	3							
55	1	24311-000320	O-RING, 1AP32.0	1							
56	1	26106-060202	BOLT, M6X 20 PLATED	3							
57	1	26106-060752	BOLT, M6X 75 PLATED	4							
58	1	26106-060852	BOLT, M6X 85 PLATED	2							
59	1	129900-07900	LIFTER, ENGINE	1							
60	1	129930-07910	LIFTER, ENGINE	1							
61	1	26106-080162	BOLT, M8X 16 PLATED	4							
62	1	119717-77801	PLUG, GLOW	3							

N:Old $\frac{100}{100}$ New, Q:Old $\frac{100}{100}$ New, R:Old $\frac{100}{100}$ New, S:Old $\frac{100}{100}$ New, W:Add, Z:Discontinued, F:Interchangeable by set, K:Q'ty Change
 ++ CONTINUE ++
 Copyright (C) 2018 YANMAR CO., LTD. All Rights Reserved.

Fig.4. CYLINDER HEAD & BONNET



X-MARK PARTS: NOT SOLD SEPARATELY

(A)=3TNV80F-NXDJFM
(B)=
(C)=

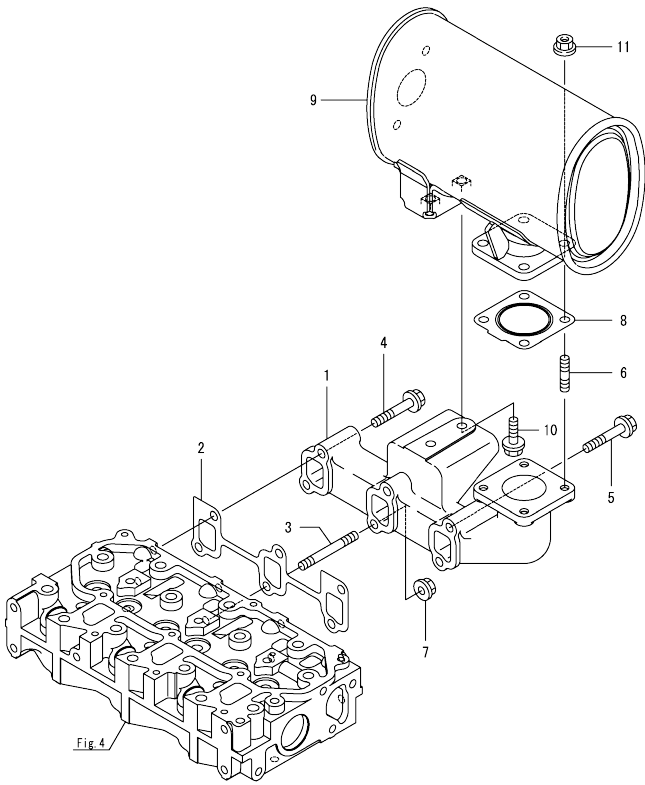
(D)=
(E)=
(F)=

No.	Lev.	Parts No.	Description	Q'ty						I	R
				(A)	(B)	(C)	(D)	(E)	(F)		
63	1	119717-77820	CONNECTOR, GLOW PLUG	1							
64	1	119717-11800	GUIDE, VALVE	6							1

Remarks

(1)Spare parts.

Fig.5. EXHAUST MANIFOLD & SILENCER

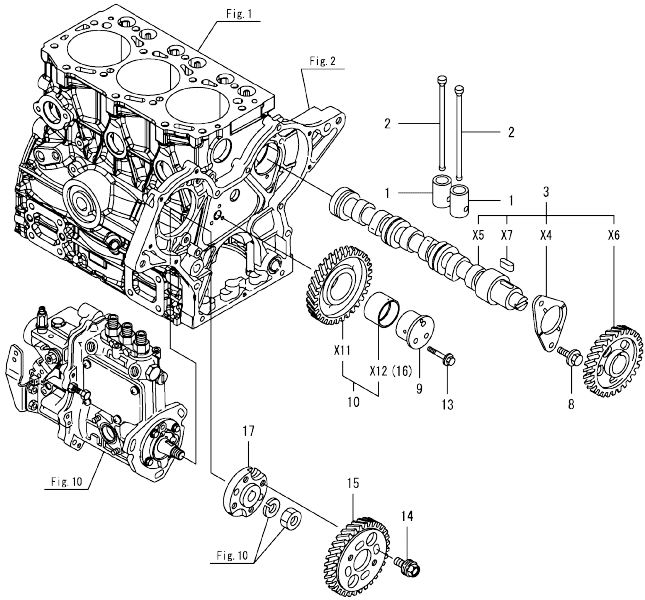


(A)=3TNV80F-NXDJFM
(B)=
(C)=

(D)=
(E)=
(F)=

No.	Lev.	Parts No.	Description	Q'ty						I	R
				(A)	(B)	(C)	(D)	(E)	(F)		
1	1	119734-13100	MANIFOLD, EXHAUST	1							
2	1	119717-13110	GASKET, MANIFOLD	1							
3	1	119717-13600	STUD, M8X50	2							
4	1	129E00-13610	BOLT, M8X50 10.9	2							
5	1	129E00-13640	BOLT, M8X80 10.9T	2							
6	1	119131-18320	STUD, M8X22	4							
7	1	26306-080002	NUT, M8	2							
8	1	119515-13200	GASKET, SILENCER	1							
9	1	119734-13501	SILENCER, EXHAUST	1							
10	1	26106-080252	BOLT, M8X 25 PLATED	2							
11	1	26306-080002	NUT, M8	4							

Fig.6. CAMSHAFT & DRIVING GEAR



X-MARK PARTS: NOT SOLD SEPARATELY

(A)=3TNV80F-NXDJFM
(B)=
(C)=

(D)=
(E)=
(F)=

No.	Lev.	Parts No.	Description	Q'ty						I	R
				(A)	(B)	(C)	(D)	(E)	(F)		
1	1	119620-14200	TAPPET	6							
2	1	119717-14400	ROD, PUSH	6							
3	1	119717-14581	CAMSHAFT ASSY	1							
8	1	26106-060122	BOLT, M6X 12 PLATED	2							
9	1	119717-25050	SHAFT, IDLE GEAR	1							
10	1	119717-25101	GEAR ASSY, IDLE	1							
13	1	26106-060352	BOLT, M6X 35 PLATED	3							
14	1	129150-25301	BOLT, INJECTION PUMP	4							
15	1	119717-25930	GEAR, PUMP	1							
16	1	119717-25911	BUSH, IDLE GEAR	1							1
17	1	119717-51150	FLANGE, CAMSHAFT	1							

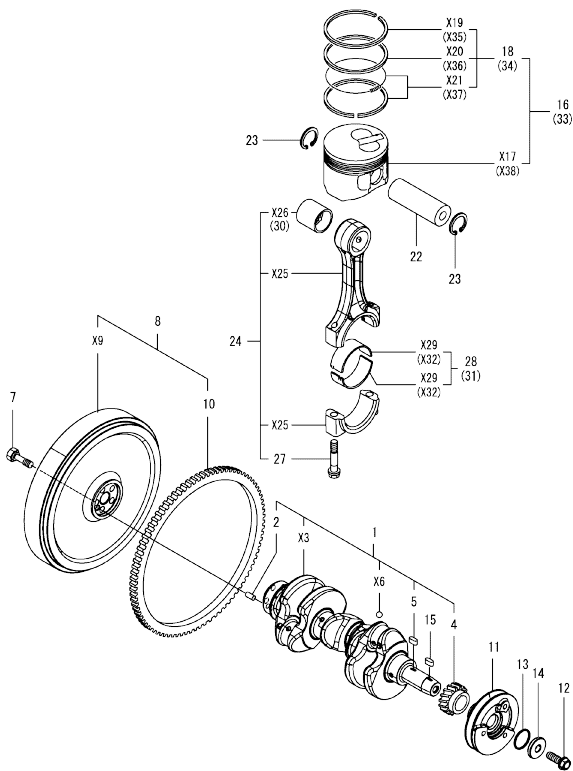
Remarks

(1)Spare parts.

Fig.7. CRANKSHAFT & PISTON

(A)=3TNV80F-NXDJFM
(B)=
(C)=

(D)=
(E)=
(F)=

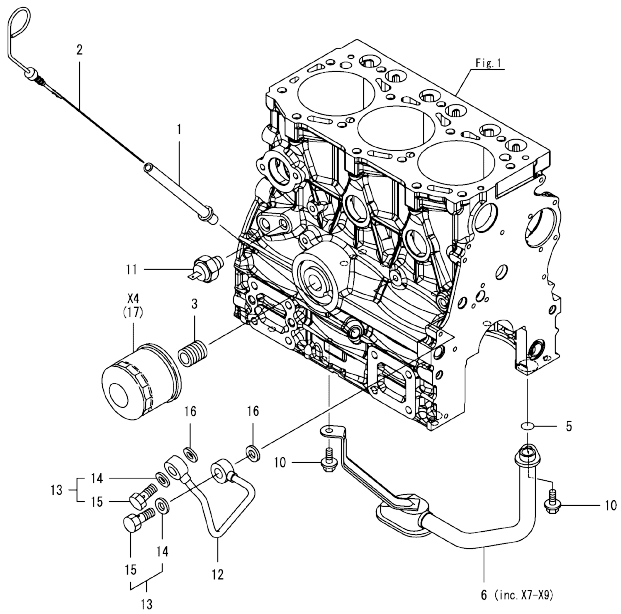


X-MARK PARTS: NOT SOLD SEPARATELY

- Remarks
(1)Spare parts.
(2)Under-sized(U.S.=0.25) parts.
(3)Over-sized(O.S.=0.25) parts.

No.	Lev.	Parts No.	Description	Q'ty						I	R
				(A)	(B)	(C)	(D)	(E)	(F)		
1	1	119E10-21700	CRANKSHAFT ASSY	1							
2	2	129100-01580	PIN, PARALLEL 8X16	1							
4	2	119717-21200	GEAR, CRANKSHAFT	1							
5	2	22512-040120	KEY, 4X 12	1							
7	1	121111-21501	BOLT, FLYWHEEL	5							
8	1	119E00-21580	FLYWHEEL ASSY	1							
10	2	119865-21600	GEAR, RING Z=116	1							
11	1	119C10-21650	V-PULLEY, CRANKSHAFT	1							
12	1	119621-21681	BOLT, FLANGE 12X1.25	1							
13	1	119C10-21930	GASKET, WASHER	1							
14	1	119C10-21940	WASHER, V-PULLEY	1							
15	1	22512-040120	KEY, 4X 12	1							
16	1	119E11-22080	PISTON ASSY	3							
18	2	119E10-22500	RING SET, PISTON	3							
22	1	119E10-22300	PIN, PISTON	3							
23	1	22252-000220	RING, 22	6							
24	1	119E10-23000	ROD ASSY, CONNECTING	3							
27	2	119717-23200	BOLT, CONNECTING ROD	6							
28	1	119717-23601	METAL ASSY,CRANK PIN	3							
30	1	119717-23910	METAL, PISTON PIN	3							1
31	1	119717-23611	METAL ASSY, PIN .25	3							2
33	1	119E11-22900	PISTON ASSY, 0.25 OS	3							3
34	2	119E10-22550	RING SET, PISTON .25	3							3

Fig.8. LUB. OIL SYSTEM



X-MARK PARTS: NOT SOLD SEPARATELY

(A)=3TNV80F-NXDJFM
(B)=
(C)=

(D)=
(E)=
(F)=

No.	Lev.	Parts No.	Description	Q'ty						I	R
				(A)	(B)	(C)	(D)	(E)	(F)		
1	1	129233-34810	GUIDE, DIPSTICK	1							
2	1	119744-34820	DIPSTICK, OIL	1							
3	1	119717-35140	STUD	1							
5	1	119717-32060	O-RING, P15.0	1							
6	1	119717-35080	PIPE ASSY, OIL INLET	1							
10	1	26106-060102	BOLT, M6X 10 PLATED	2							
11	1	119761-39450	SWITCH, HYDRAULIC	1							
12	1	119717-39210	PIPE, PUMP	1							
13	1	129005-59830	BOLT ASSY, JOINT M8	2							
14	2	22190-080002	WASHER, SEAL 8	2							
15	2	23857-030000	BOLT, JOINT 3	2							
16	1	22190-080002	WASHER, SEAL 8	2							
17	1	119305-35151	FILTER ASSY, D68XL65	1							1

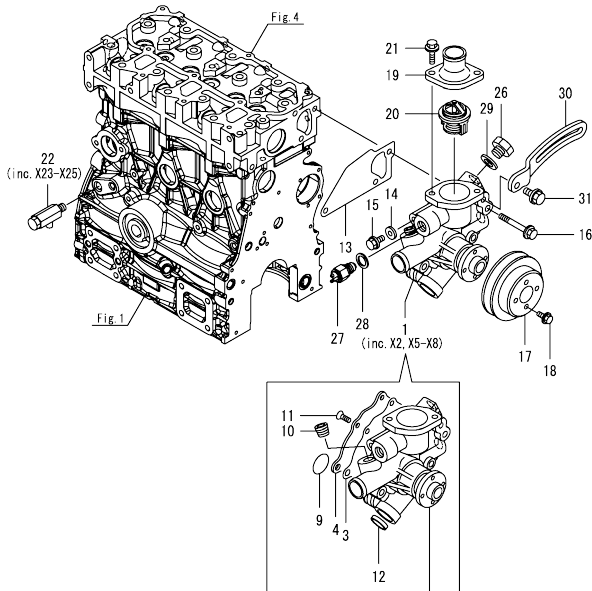
Remarks
(1)Spare parts.

N:Old $\frac{100}{100}$ New. Q:Old $\frac{100}{100}$ New. R:Old $\frac{100}{100}$ New. S:Old $\frac{100}{100}$ New. W:Add. Z:Discontinued. F:Interchangeable by set. K:Q'ty Change
Copyright (C) 2018 YANMAR CO., LTD. All Rights Reserved.

Fig.9. COOLING WATER SYSTEM

(A)=3TNV80F-NXDJFM
(B)=
(C)=

(D)=
(E)=
(F)=



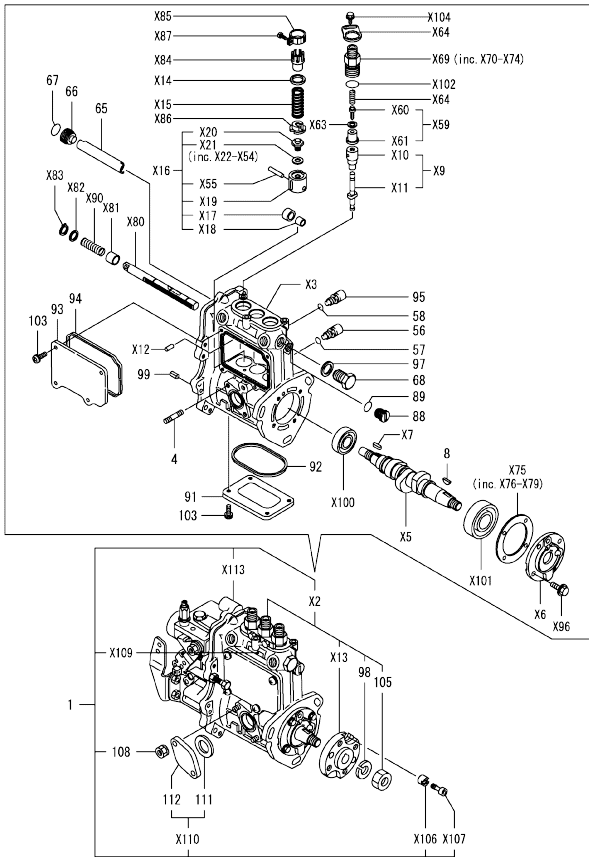
No.	Lev.	Parts No.	Description	Q'ty						I	R
				(A)	(B)	(C)	(D)	(E)	(F)		
1	1	119E10-42000	PUMP ASSY, WATER	1							
3	2	119717-42031	GASKET, WATER PUMP	1							
4	2	119717-42041	COVER, WATER PUMP	1							
9	2	119C10-42320	O-RING, 2028	1							
10	2	129916-49740	PLUG, R3/8	1							
11	2	26577-060122	SCREW, M6X12	4							
12	2	27241-250000	PLUG, 25	1							
13	1	119717-42020	GASKET, WATER PUMP	1							
14	1	23414-080000	GASKET, 8X1.0	1							
15	1	26106-080122	BOLT, M8X 12 PLATED	1							
16	1	26106-080502	BOLT, M8X 50 PLATED	3							
17	1	119515-42350	V-PULLEY, PUMP D110	1							
18	1	26106-060122	BOLT, M6X 12 PLATED	4							
19	1	129350-49530	COVER, THERMOSTAT	1							
20	1	119717-49800	THERMOSTAT, 71C	1							
21	1	26106-080202	BOLT, M8X 20 PLATED	2							
22	1	119620-49290	COCK ASSY, 1/4	1							
26	1	121450-42450	PLUG, M16	1							
27	1	121250-44901	SWITCH, TEMPERATURE	1							
28	1	124465-44950	GASKET, 16	1							
29	1	124465-44950	GASKET, 16	1							
30	1	119717-77340	ADJUSTER, BELT	1							
31	1	26106-080202	BOLT, M8X 20 PLATED	1							

X-MARK PARTS: NOT SOLD SEPARATELY

Fig.10. FUEL INJECTION PUMP

(A)=3TNV80F-NXDJFM
(B)=
(C)=

(D)=
(E)=
(F)=



X-MARK PARTS: NOT SOLD SEPARATELY

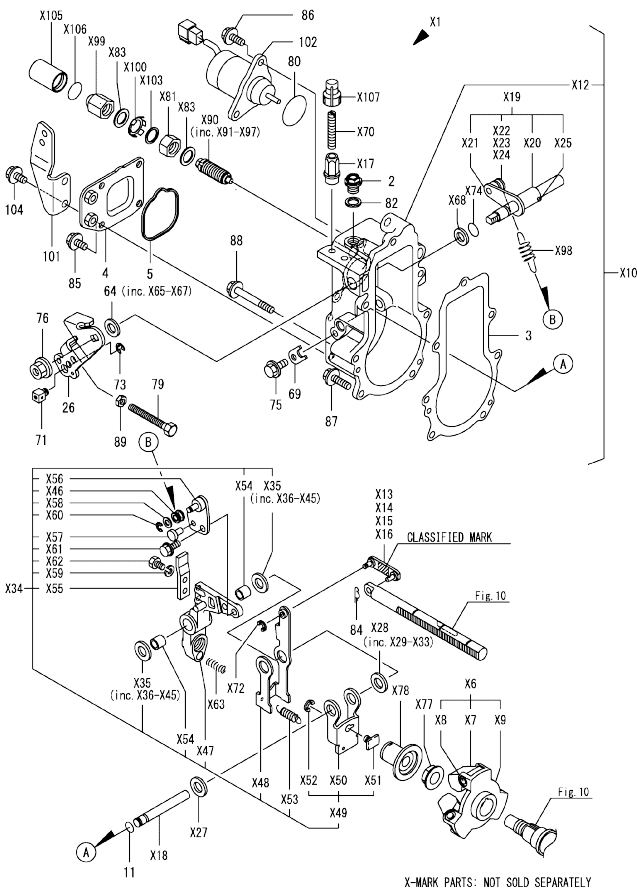
No.	Lev.	Parts No.	Description	Q'ty						I	R	
				(A)	(B)	(C)	(D)	(E)	(F)			
1	1	719E21-51350	FIE ASSY	1							1	
4	3	129155-51020	STUD	2								
8	3	122710-51090	KEY, FEATHER	1								
56	3	158600-51270	STOPPER, TAPPET	3								
57	3	129155-51280	O-RING, S6	3								
58	3	129155-51280	O-RING, S6	1								
65	3	129155-51400	PROTECTOR	1								
66	3	158600-51410	PLUG, DEFLIFTER M12	1								
67	3	119717-51420	O-RING	1								
68	3	158600-51420	PLUG, DEFLIFTER M16	1								
88	3	158600-51570	PLUG, RACK	1								
89	3	129155-51580	O-RING	1								
91	3	129155-51701	COVER, PUMP BOTTOM	1								
92	3	119717-51711	GASKET, PUMP	1								
93	3	119717-51750	COVER, BODY SIDE	1								
94	3	119717-51761	GASKET, PUMP COVER	1								
95	3	158600-51790	STOPPER, RACK	1								
97	3	22190-160002	WASHER, SEAL 16	1								
98	3	22217-120000	WASHER, SPRING 12	1								
99	3	22351-050010	PIN, SPRING 5.0X10	2								
103	3	26022-050122	SCREW, M5X12	8								
105	3	26716-120002	NUT, M12	1								
108	2	119717-51860	NUT, M6	2								
111	3	129155-52051	GASKET, PUMP COVER	1								
112	3	129100-52200	COVER, FEED PUMP	1								

Remarks

(1)Governor(Fig.11) is incorporated in this Fuel Injection Pump(No.1).

N:Old $\frac{100}{100}$ New, Q:Old $\frac{100}{100}$ New, R:Old $\frac{100}{100}$ New, S:Old $\frac{100}{100}$ New, W:Add, Z:Discontinued, F:Interchangeable by set, K:Q'ty Change
Copyright (C) 2018 YANMAR CO., LTD. All Rights Reserved.

Fig.11. GOVERNOR



(A)=3TNV80F-NXDJFM
(B)=
(C)=

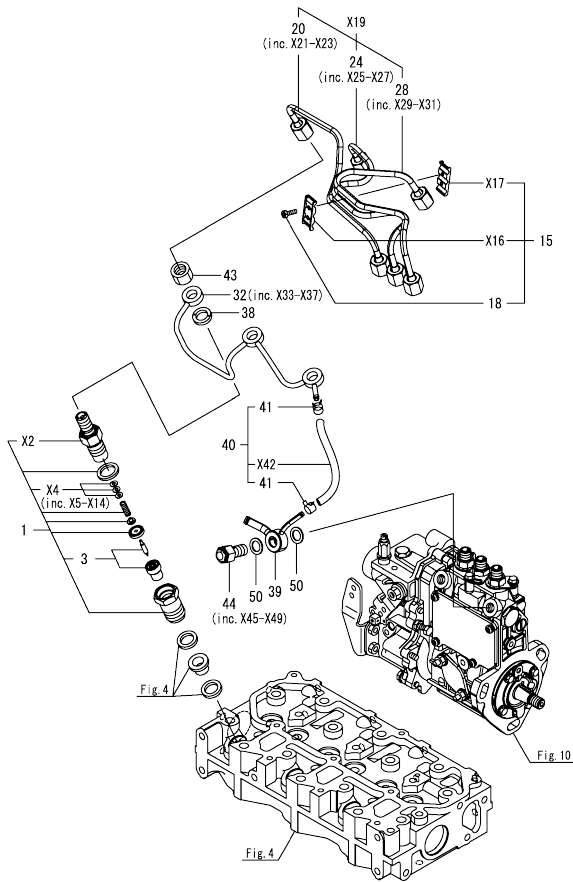
(D)=
(E)=
(F)=

No.	Lev.	Parts No.	Description	Q'ty						I	R
				(A)	(B)	(C)	(D)	(E)	(F)		
2	3	119717-51930	PLUG, M10	1							
3	3	119717-61050	GASKET, CASE	1							
4	3	119761-61060	COVER, GOVERNOR CASE	1							
5	3	119717-61070	GASKET, COVER	1							
11	4	129155-51280	O-RING, S6	1							
26	4	119515-61440	LEVER, CONTROL	1							
64	4	158552-61700	SHIM SET	1							
69	4	119660-61901	STOPPER, SHAFT	1							
71	4	124756-67510	RETAINER, WIRE	1							
73	4	22272-000070	RING, E- 7	1							
75	4	26106-060102	BOLT, M6X 10 PLATED	1							
76	4	26366-080002	NUT, M8	1							
79	3	129155-61461	BOLT, IDLE LIMIT	1							
80	3	158552-61900	O-RING	1							
82	3	22190-100002	WASHER, SEAL 10	1							
84	3	22372-040000	PIN, SNAP 4	1							
85	3	26106-060102	BOLT, M6X 10 PLATED	4							
86	3	26106-060142	BOLT, M6X 14 PLATED	2							
87	3	26106-060202	BOLT, M6X 20 PLATED	4							
88	3	26106-060452	BOLT, M6X 45 PLATED	3							
89	3	119740-61470	NUT	1							
101	2	119734-66910	SUPPORT, WIRE	1							
102	2	119653-77950	SOLENOID, STOP	1							
104	2	26106-060102	BOLT, M6X 10 PLATED	2							

Remarks
* This figure(Governor) is incorporated in the Fuel Injection Pump(Fig.10).

N:Old $\frac{100}{100}$ New, Q:Old $\frac{100}{100}$ New, R:Old $\frac{100}{100}$ New, S:Old $\frac{100}{100}$ New, W:Add, Z:Discontinued, F:Interchangeable by set, K:Q'ty Change
Copyright (C) 2018 YANMAR CO., LTD. All Rights Reserved.

Fig.12. FUEL INJECTION VALVE



X-MARK PARTS: NOT SOLD SEPARATELY

(A)=3TNV80F-NXDJFM
(B)=
(C)=

(D)=
(E)=
(F)=

No.	Lev.	Parts No.	Description	Q'ty					
				(A)	(B)	(C)	(D)	(E)	(F)
1	1	119C10-53000	VALVE ASSY,INJECTION	3					
3	2	119C10-53010	VALVE ASSY,INJECTION	3					
15	1	129150-59120	RETAINER, PIPE	1					
18	2	129150-59131	BOLT, M4X14	2					
20	2	119E10-59810	PIPE ASSY, INJECTION	1					
24	2	119E10-59820	PIPE, INJECTION NO.2	1					
28	2	119E10-59830	PIPE, INJECTION NO.3	1					
32	1	119717-59510	PIPE ASSY, RETURN	1					
38	1	129901-59560	GASKET, FUEL RETURN	3					
39	1	119534-59570	JOINT, OVERFLOW	1					
40	1	119540-59570	HOSE ASSY, RETURN	1					
41	2	124066-59100	CLAMP, HOSE 8	2					
43	1	119620-59700	NUT, NOZZLE RETURN	3					
44	1	119813-59950	VALVE ASSY, CHECK	1					
50	1	22190-120002	WASHER, SEAL 12	2					

OCD50-M03860 ENGINE

Fig.13. FUEL PIPE

OCD50-M03860 Fig.13

(A)=3TNV80F-NXDJFM
(B)=
(C)=

(D)=
(E)=
(F)=

No.	Lev.	Parts No.	Description	Q'ty					
				(A)	(B)	(C)	(D)	(E)	(F)
1	1	103854-39140	BOLT, PIPE JOINT	1					
2	1	101304-59020	JOINT, PIPE 12	1					
3	1	22190-120002	WASHER, SEAL 12	2					

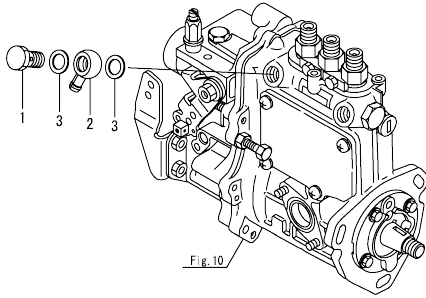
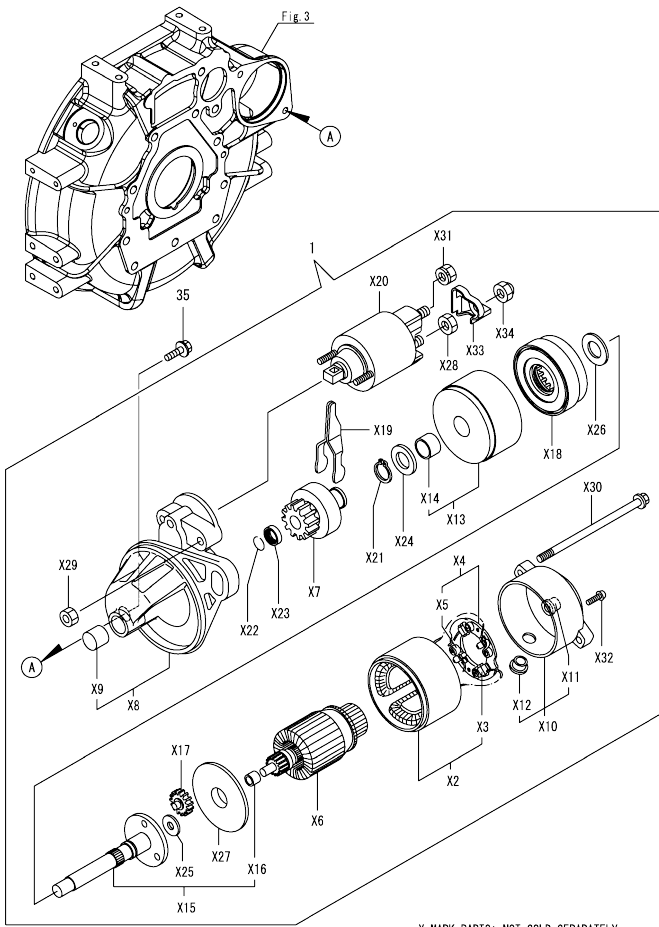


Fig.14. STARTER MOTOR



X-MARK PARTS: NOT SOLD SEPARATELY

(A)=3TNV80F-NXDJFM
(B)=
(C)=

(D)=
(E)=
(F)=

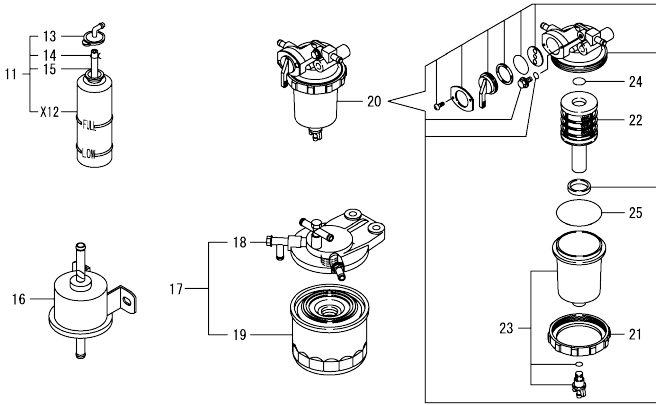
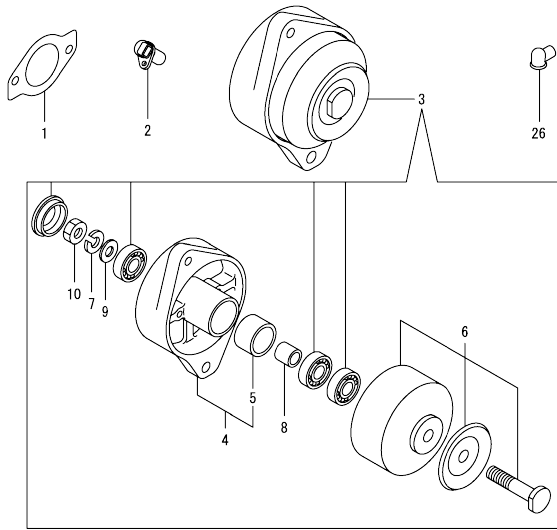
No.	Lev.	Parts No.	Description	Q'ty					
				(A)	(B)	(C)	(D)	(E)	(F)
1	1	119717-77010	STARTER, P1.1	1					
35	1	26106-100252	BOLT, M10X 25 PLATED	2					

Fig.15. ACCESSORY

(A)=3TNV80F-NXDJFM
(B)=
(C)=

(D)=
(E)=
(F)=

No.	Lev.	Parts No.	Description	Q'ty					
				(A)	(B)	(C)	(D)	(E)	(F)
1	1	129052-13550	GASKET, EXHAUST PIPE	1					
2	1	129A00-21710	SENSOR, FLYWHEEL	1					
3	1	129100-44300	PULLEY, TENSION	1					
4	2	129100-44310	PLATE ASSY	1					
5	3	129100-44320	PLATE, COIL	1					
6	2	129100-44330	FLYWHEEL ASSY	1					
7	2	129188-77200	WASHER, SPRING	1					
8	2	129118-77230	COLLAR	1					
9	2	129118-77240	WASHER, 10	1					
10	2	129118-77250	NUT, HEXAGON	1					
11	1	121252-44510	TANK ASSY, SUB	1					
13	2	121450-44530	CAP, SUB TANK	1					
14	2	124450-44560	CLAMP, PIPE	1					
15	2	23061-070230	PIPE, 7X 230	1					
16	1	119225-52102	PUMP, FUEL FEED	1					
17	1	129940-55601	FILTER ASSY, FUEL	1					
18	2	129004-55612	BRACKET, FILTER	1					
19	2	119802-55801	FILTER, FUEL	1					
20	1	119802-55700	SEPARATOR ASSY, WATER	1					
21	2	129100-55690	NUT, RETAINING	1					
22	2	119802-55710	ELEMENT, FUEL	1					
23	2	119802-55730	CUP ASSY, SEPARATOR	1					
24	2	24311-000160	O-RING, 1AP16.0	1					
25	2	24321-000650	O-RING, 1AG65.0	1					
26	1	124756-77040	COVER, TERMINAL A	1					

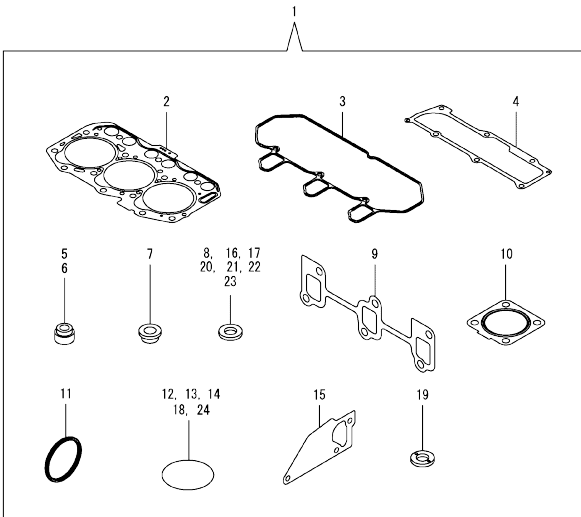


N:Old $\frac{New}{Old}$ New, Q:Old $\frac{New}{Old}$ New, R:Old $\frac{New}{Old}$ New, S:Old $\frac{New}{Old}$ New, W:Add, Z:Discontinued, F:Interchangeable by set, K:Qty Change
Copyright (C) 2018 YANMAR CO., LTD. All Rights Reserved.

Fig.16. GASKET SET

(A)=3TNV80F-NXDJFM
(B)=
(C)=

(D)=
(E)=
(F)=



No.	Lev.	Parts No.	Description	Q'ty						I	R	
				(A)	(B)	(C)	(D)	(E)	(F)			
1	1	719E21-92601	GASKET SET	1							1	
2	2	119E10-01330	GASKET SET, HEAD	1								
3	2	119718-11310	GASKET, BONNET	1								
4	2	119717-11331	GASKET, BONNET COVER	1								
5	2	119717-11340	SEAL, VALVE STEM	3								
6	2	119717-11350	SEAL, VALVE STEM	3								
7	2	129901-11450	PROTECTOR, NOZZLE	3								
8	2	119600-11460	GASKET, NOZZLE	6								
9	2	119717-13110	GASKET, MANIFOLD	1								
10	2	119515-13200	GASKET, SILENCER	1								
11	2	119C10-21930	GASKET, WASHER	1								
12	2	119624-32040	O-RING, P12.0	1								
13	2	119717-32050	O-RING, P17.0	2								
14	2	119717-32060	O-RING, P15.0	1								
15	2	119717-42020	GASKET, WATER PUMP	1								
16	2	124465-44950	GASKET, 16	1								
17	2	129150-49360	GASKET, 10	1								
18	2	121850-51960	O-RING, FUEL PUMP	1								
19	2	129901-59560	GASKET, FUEL RETURN	3								
20	2	22190-080002	WASHER, SEAL 8	4								
21	2	22190-120002	WASHER, SEAL 12	4								
22	2	22190-160002	WASHER, SEAL 16	1								
23	2	23414-080000	GASKET, 8X1.0	1								
24	2	24311-000320	O-RING, 1AP32.0	2								

Remarks

(1)Optional parts.

Parts No. Index

Parts No.	Fig. No.	Ref. No.	Parts No.	Fig. No.	Ref. No.	Parts No.	Fig. No.	Ref. No.	Parts No.	Fig. No.	Ref. No.
101304-59020	13	2	119717-11340	4	18	119718-11310	4	45	119E10-59830	12	28
103854-39140	13	1		16	5		16	3	119E11-22080	7	16
105010-11490	4	3	119717-11350	4	19	119734-01590	2	3	119E11-22900	7	33
105311-01090	1	4		16	6	119734-02220	3	3	119E21-01600	3	2
105425-01690	3	8	119717-11650	4	27	119734-11320	4	46	121111-21501	7	7
119131-18320	5	6	119717-11800	4	64	119734-11340	4	48	121250-44901	9	27
119225-52102	15	16	119717-13110	5	2	119734-11380	4	35	121252-44510	15	11
119285-01990	1	6		16	9	119734-13100	5	1	121450-42450	9	26
119285-11990	4	11	119717-13600	5	3	119734-13501	5	9	121450-44530	15	13
119305-35151	8	17	119717-14400	6	2	119734-66910	11	101	121850-51960	2	20
119515-13200	5	8	119717-14581	6	3	119740-61470	11	89		16	18
	16	10	119717-21200	7	4	119744-34820	8	2	122710-51090	10	8
119515-42350	9	17	119717-23200	7	27	119761-39450	8	11	124060-01050	1	11
119515-61440	11	26	119717-23601	7	28	119761-61060	11	4	124066-59100	12	41
119534-59570	12	39	119717-23611	7	31	119802-03100	4	39	124160-01751	2	28
119540-59570	12	40	119717-23910	7	30	119802-03110	4	40		4	34
119600-11460	4	2	119717-25050	6	9	119802-03121	4	41	124160-01910	1	12
	16	8	119717-25101	6	10	119802-03131	4	42	124450-44560	15	14
119620-02020	1	7	119717-25911	6	16	119802-03141	4	43	124465-44950	9	28
119620-11280	4	26	119717-25930	6	15	119802-32130	2	15		29	
119620-14200	6	1	119717-32050	2	19	119802-55700	15	20		16	16
119620-49290	9	22		16	13	119802-55710	15	22	124756-67510	11	71
119620-59700	12	43	119717-32060	8	5	119802-55730	15	23	124756-77040	15	26
119621-21681	7	12		16	14	119802-55801	15	19	129001-32320	2	11
119623-01250	1	5	119717-32080	2	9	119802-59580	4	54	129001-32330	2	12
119624-32040	2	18	119717-32100	2	8	119810-01200	1	20	129004-55612	15	18
	16	12	119717-32110	2	13	119810-02941	1	28	129005-59830	8	13
119653-77950	11	102	119717-32120	2	14	119813-59950	12	44	129052-13550	15	1
119660-01911	2	17	119717-35080	8	6	119865-21600	7	10	129100-01580	3	1
119660-61901	11	69	119717-35140	8	3	119C10-21650	7	11		7	2
119717-01501	2	1	119717-39210	8	12	119C10-21930	7	13	129100-44300	15	3
119717-01521	2	5	119717-42020	9	13		16	11	129100-44310	15	4
119717-01570	2	2		16	15	119C10-21940	7	14	129100-44320	15	5
119717-01720	3	6	119717-42031	9	3	119C10-42320	9	9	129100-44330	15	6
119717-01750	2	16	119717-42041	9	4	119C10-53000	12	1	129100-52200	10	112
119717-01770	3	7	119717-49800	9	20	119C10-53010	12	3	129100-55690	15	21
119717-01800	2	7	119717-51150	6	17	119E00-21580	7	8	129118-77230	15	8
119717-02411	1	10	119717-51420	10	67	119E10-01330	1	21	129118-77240	15	9
119717-02870	1	25	119717-51711	10	92		16	2	129118-77250	15	10
119717-02930	1	16	119717-51750	10	93	119E10-11100	4	13	129150-11230	4	28
119717-03031	4	36	119717-51761	10	94	119E10-11110	4	14	129150-11750	4	30
119717-03070	4	37	119717-51860	10	108	119E10-11750	4	4	129150-25301	6	14
		38	119717-51930	11	2	119E10-21700	7	1	129150-49360	16	17
119717-11131	4	15	119717-59510	12	32	119E10-22300	7	22	129150-59120	12	15
119717-11190	4	17	119717-61050	11	3	119E10-22500	7	18	129150-59131	12	18
119717-11200	4	21	119717-61070	11	5	119E10-22550	7	34	129155-51020	10	4
119717-11240	4	22	119717-77010	14	1	119E10-23000	7	24	129155-51280	10	57
119717-11260	4	25	119717-77340	9	30	119E10-42000	9	1		58	
119717-11331	4	50	119717-77801	4	62	119E10-59810	12	20		11	11
	16	4	119717-77820	4	63	119E10-59820	12	24	129155-51400	10	65

Parts No. Index

Parts No.	Fig. No.	Ref. No.
129155-51580	10	89
129155-51701	10	91
129155-52051	10	111
129155-61461	11	79
129188-77200	15	7
129233-34810	8	1
129350-49530	9	19
129508-11180	4	16
129900-07900	4	59
129900-32130	2	10
129901-11450	4	1
	16	7
129901-59560	12	38
	16	19
	9	10
129916-49740	4	60
129930-07910	15	17
129940-55601	15	2
129A00-21710	5	4
129E00-13610	5	5
129E00-13640	11	64
158552-61700	11	80
158552-61900	10	56
158600-51270	10	66
158600-51410	10	68
158600-51420	10	88
158600-51570	10	95
158600-51790	8	14
22190-080002		16
	16	20
22190-100002	11	82
22190-120002	12	50
	13	3
	16	21
22190-160002	3	10
	10	97
	16	22
22217-120000	10	98
22242-000120	4	31
22252-000220	7	23
22272-000070	11	73
22351-050010	10	99
22351-060012	4	20
22372-040000	11	84
22512-040120	7	5
		15
22857-500100	4	51
		52
22857-500160	4	53
23061-070230	15	15

Parts No.	Fig. No.	Ref. No.
23414-080000	9	14
	16	23
23857-030000	8	15
23876-005000	4	12
23876-030000	2	6
24311-000160	15	24
24311-000320	2	29
	4	55
	16	24
24321-000650	15	25
26022-050122	10	103
26106-060102	8	10
	11	75
		85
		104
26106-060122	2	21
	6	8
	9	18
26106-060142	11	86
26106-060162	2	22
26106-060202	4	56
	11	87
26106-060352	6	13
26106-060402	2	23
		24
26106-060452	11	88
26106-060602	2	25
26106-060652	2	26
26106-060752	4	57
26106-060852	4	58
26106-080122	3	11
	9	15
26106-080162	4	61
26106-080202	9	21
		31
26106-080252	5	10
26106-080302	3	12
26106-080402	4	33
26106-080452	3	13
26106-080502	3	14
	9	16
26106-100252	14	35
26206-100252	3	4
26206-100302	3	5
26216-080222	4	49
26306-080002	2	27
	5	7
		11
26366-080002	11	76
26577-060122	9	11

Parts No.	Fig. No.	Ref. No.
26716-120002	10	105
26979-050162	4	32
27241-120000	1	19
27241-250000	9	12
719717-02901	1	22
719734-01500	2	4
719E21-51350	10	1
719E21-92601	16	1

Parts No.	Fig. No.	Ref. No.
-----------	----------	----------