

0CD50-M05000EN

P R E F A C E

This parts catalog is the 1st edition of 3TNV80F-NGPGE for PRAMAC.

Published : March, 2019

Contents

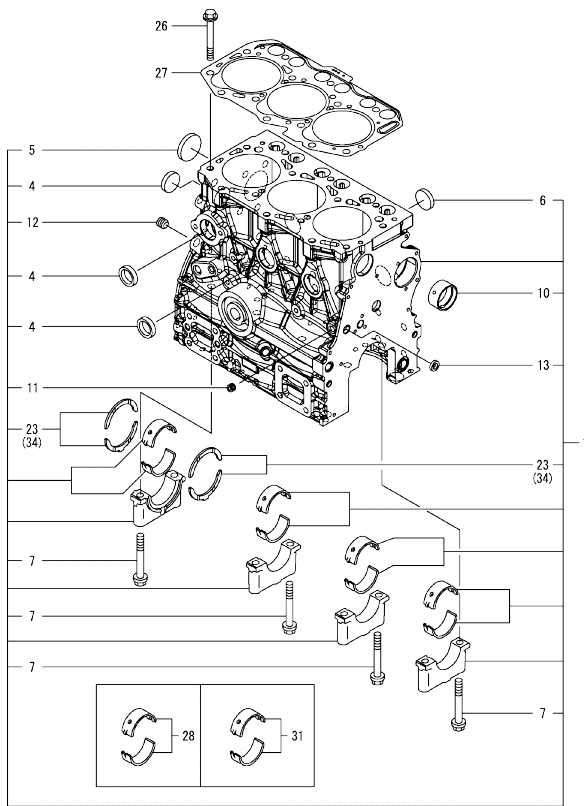
OCD50-M05000

Fig. No.	Fig. Name	Fig. No.	Fig. Name
ENGINE			
1.	CYLINDER BLOCK		
2.	GEAR HOUSING		
3.	FLYWHEEL HOUSING & OIL SUMP		
4.	CYLINDER HEAD & BONNET		
5.	EXHAUST MANIFOLD		
6.	CAMSHAFT & DRIVING GEAR		
7.	CRANKSHAFT & PISTON		
8.	LUB. OIL SYSTEM		
9.	COOLING WATER SYSTEM		
10.	FUEL INJECTION PUMP		
11.	GOVERNOR		
12.	FUEL INJECTION VALVE		
13.	FUEL PIPE		
14.	STARTER MOTOR		
15.	GENERATOR		
16.	ACCESSORY		

Fig.1. CYLINDER BLOCK

(A)=3TNV80F-NGPGE
(B)=
(C)=

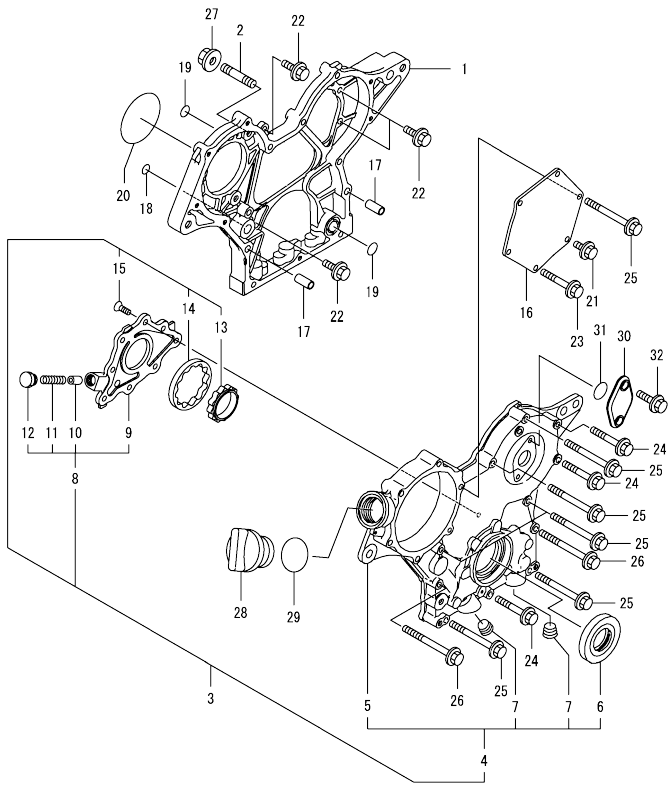
(D)=
(E)=
(F)=



No.	Lev.	Parts No.	Description	Q'ty						I	R
				(A)	(B)	(C)	(D)	(E)	(F)		
1	1	119E00-01560	BLOCK ASSY, CYLINDER	1							
4	2	105311-01090	PLUG, 30	4							
5	2	119623-01250	PLUG, 45	1							
6	2	119285-01990	PLUG, 25	3							
7	2	119620-02020	BOLT, METAL CAP	8							
10	2	119717-02411	BUSH, CAMSHAFT	1							
11	2	124060-01050	PLUG, PT1/8	1							
12	2	124160-01910	PLUG, PT1/4	1							
13	2	27241-120000	PLUG, 12	1							
23	2	119717-02930	METAL ASSY, THRUST	2							
26	1	119810-01200	BOLT, CYLINDER HEAD	14							
27	1	119E10-01330	GASKET SET, HEAD	1							
28	1	719717-02901	METAL ASSY, MAIN	4							1
31	1	719717-02911	METAL ASSY, MAIN .25	4							2
34	1	119810-02941	METAL ASSY, 0.25 OS	2							3

Remarks
 (1)Spare parts.
 (2)Under-sized(U.S.=0.25) parts.
 (3)Over-sized(O.S.=0.25) parts.

Fig.2. GEAR HOUSING

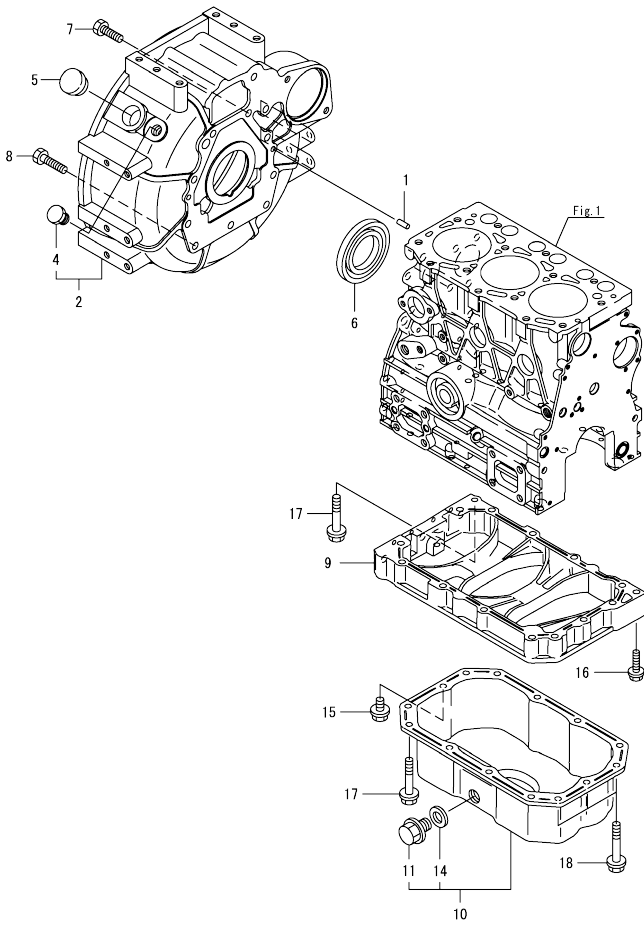


(A)=3TNV80F-NGPGE
(B)=
(C)=

(D)=
(E)=
(F)=

No.	Lev.	Parts No.	Description	Qty						I	R
				(A)	(B)	(C)	(D)	(E)	(F)		
1	1	119717-01501	CASE, GEAR	1							
2	1	119717-01570	STUD	3							
3	1	119734-01580	COVER ASSY, CASE	1							
4	2	719734-01510	COVER ASSY, CASE	1							
5	3	119744-01521	COVER, GEAR CASE	1							
6	3	119717-01800	SEAL, OIL	1							
7	3	23876-030000	PLUG, R03	2							
8	2	119717-32100	COVER ASSY, PUMP	1							
9	3	119717-32080	COVER, OIL PUMP	1							
10	3	129900-32130	VALVE, RELIEF	1							
11	3	129001-32320	SPRING	1							
12	3	129001-32330	PLUG	1							
13	2	119717-32110	ROTOR, INNER	1							
14	2	119717-32120	ROTOR, OUTER	1							
15	2	119802-32130	SCREW, M6X16	8							
16	1	119717-01750	COVER, PUMP	1							
17	1	119660-01911	PIPE, KNOCK 6X17	4							
18	1	119624-32040	O-RING, P12.0	1							
19	1	119717-32050	O-RING, P17.0	3							
20	1	121850-51960	O-RING, FUEL PUMP	1							
21	1	26106-060122	BOLT, M6X 12 PLATED	1							
22	1	26106-060162	BOLT, M6X 16 PLATED	4							
23	1	26106-060402	BOLT, M6X 40 PLATED	4							
24	1	26106-060402	BOLT, M6X 40 PLATED	3							
25	1	26106-060602	BOLT, M6X 60 PLATED	7							
26	1	26106-060652	BOLT, M6X 65 PLATED	2							
27	1	26306-080002	NUT, M8	3							
28	1	124160-01751	CAP, FILLER	1							
29	1	24311-000320	O-RING, 1AP32.0	1							
30	1	121023-01551	COVER, TACHOMETER	1							
31	1	24341-000240	O-RING, 1AS24.0	1							
32	1	26106-060162	BOLT, M6X 16 PLATED	2							

Fig.3. FLYWHEEL HOUSING & OIL SUMP

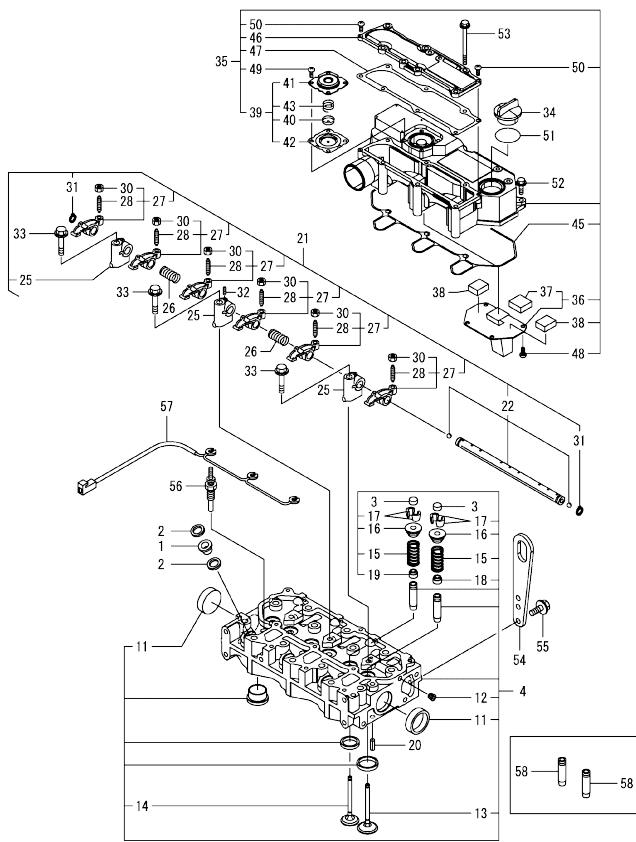


(A)=3TNV80F-NGPGE
(B)=
(C)=

(D)=
(E)=
(F)=

No.	Lev.	Parts No.	Description	Q'ty						I	R	
				(A)	(B)	(C)	(D)	(E)	(F)			
1	1	129100-01580	PIN, PARALLEL 8X16		2							
2	1	119717-01611	HOUSING, FLYWHEEL	1								
4	2	119888-01850	PLUG, RUBBER 19	1								
5	1	119620-01750	CAP, WHEEL COVER	1								
6	1	119734-02220	SEAL, OIL WHEEL SIDE	1								
7	1	26206-100252	BOLT, M10X 25 PLATED	8								
8	1	26206-100302	BOLT, M10X 30 PLATED	3								
9	1	119717-01720	SPACER, OIL PAN	1								
10	1	119717-01770	OIL PAN ASSY	1								
11	2	105425-01690	PLUG, DRAIN M16	1								
14	2	22190-160002	WASHER, SEAL 16	1								
15	1	26106-080122	BOLT, M8X 12 PLATED	1								
16	1	26106-080302	BOLT, M8X 30 PLATED	1								
17	1	26106-080452	BOLT, M8X 45 PLATED	11								
18	1	26106-080502	BOLT, M8X 50 PLATED	3								

Fig.4. CYLINDER HEAD & BONNET



(A)=3TNV80F-NGPGE
(B)=
(C)=

(D)=
(E)=
(F)=

No.	Lev.	Parts No.	Description	Q'ty						I	R
				(A)	(B)	(C)	(D)	(E)	(F)		
1	1	129901-11450	PROTECTOR, NOZZLE	3							
2	1	119600-11460	GASKET, NOZZLE	6							
3	1	105010-11490	CAP, VALVE	6							
4	1	119E10-11750	HEAD ASSY, CYLINDER	1							
11	2	119285-11990	PLUG, 35	2							
12	2	23876-005000	PLUG, R005	1							
13	2	119E10-11100	VALVE, INTAKE	3							
14	2	119E10-11110	VALVE, EXHAUST	3							
15	2	119717-11131	SPRING, VALVE	6							
16	2	129508-11180	RETAINER, SPRING	6							
17	2	119717-11190	COTTER, VALVE	12							
18	2	119717-11340	SEAL, VALVE STEM	3							
19	2	119717-11350	SEAL, VALVE STEM	3							
20	1	22351-060012	PIN, SPRING 6.0X12	2							
21	1	119717-11200	SUPPORT ASSY, ROCKER	1							
22	2	119717-11240	SHAFT ASSY, ARM	1							
25	2	119717-11260	SUPPORT, ROCKER ARM	3							
26	2	119620-11280	SPRING, SHAFT	2							
27	2	119717-11650	ARM ASSY, ROCKER INT	6							
28	3	129150-11230	SCREW, VALVE ADJUST	6							
30	3	129150-11750	NUT, M8XP1.0	6							
31	2	22242-000120	RING, 12	2							
32	2	26979-050162	SCREW, M5X16	1							
33	1	26106-080402	BOLT, M8X 40 PLATED	3							
34	1	124160-01751	CAP, FILLER	1							
35	1	119717-11381	BONNET ASSY, HEAD	1							
36	2	119717-03031	PLATE, BAFFLE	1							
37	3	119717-03070	BAFFLE, BREATHER	1							
38	2	119717-03070	BAFFLE, BREATHER	2							
39	2	119802-03100	DIAPHRAGM ASSY	1							
40	3	119802-03110	PLATE, DIAPHRAGM	1							
41	3	119802-03121	COVER, DIAPHRAGM	1							
42	3	119802-03131	DIAPHRAGM, BREATHER	1							
43	3	119802-03141	SPRING, DIAPHRAGM	1							
45	2	119718-11310	GASKET, BONNET	1							
46	2	119717-11320	COVER, BONNET	1							
47	2	119717-11331	GASKET, BONNET COVER	1							
48	2	22857-500100	SCREW, 5X10	4							
49	2	22857-500100	SCREW, 5X10	4							
50	2	22857-500160	SCREW, 5X16	2							
51	1	24311-000320	O-RING, 1AP32.0	1							
52	1	26106-060202	BOLT, M6X 20 PLATED	3							
53	1	26106-060752	BOLT, M6X 75 PLATED	6							
54	1	129900-07900	LIFTER, ENGINE	1							
55	1	26106-080162	BOLT, M8X 16 PLATED	2							
56	1	119717-77801	PLUG, GLOW	3							
57	1	119717-77820	CONNECTOR, GLOW PLUG	1							
58	1	119717-11800	GUIDE, VALVE	6							

Remarks
(1)Spare parts.

Fig.5. EXHAUST MANIFOLD

(A)=3TNV80F-NGPGE
(B)=
(C)=

(D)=
(E)=
(F)=

No.	Lev.	Parts No.	Description	Q'ty						I	R
				(A)	(B)	(C)	(D)	(E)	(F)		
1	1	119717-13109	MANIFOLD, EXHAUST	1							
2	1	119717-13110	GASKET, MANIFOLD	1							
3	1	119717-13600	STUD, M8X50	2							
4	1	129E00-13610	BOLT, M8X50 10.9	4							
5	1	119131-18320	STUD, M8X22	4							
6	1	26306-080002	NUT, M8	2							

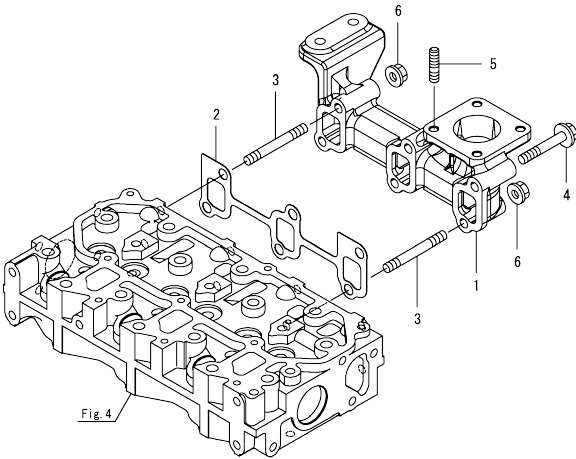
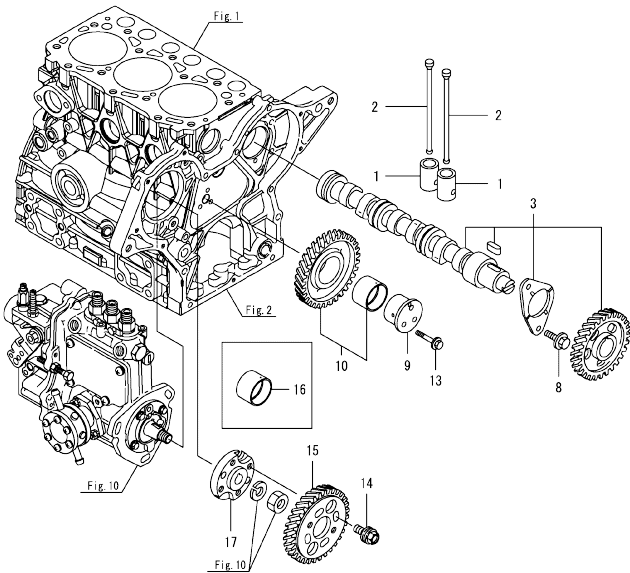


Fig.4

Fig.6. CAMSHAFT & DRIVING GEAR



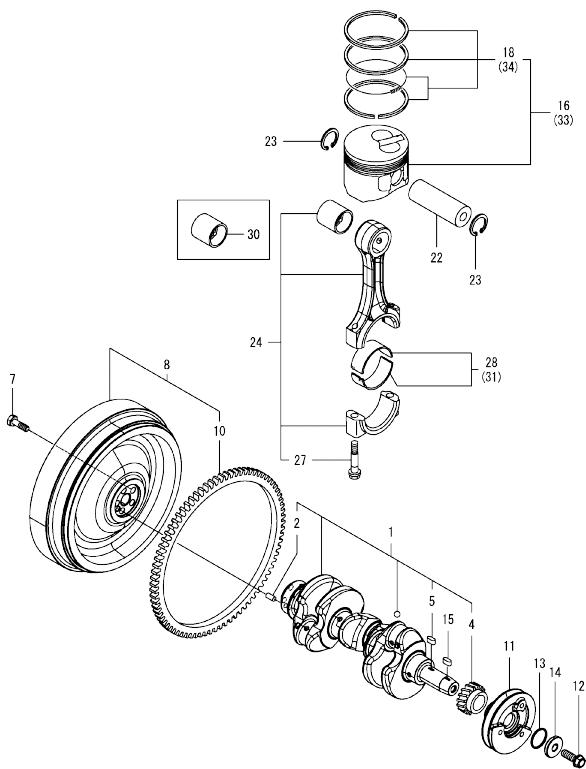
(A)=3TNV80F-NGPGE
(B)=
(C)=

(D)=
(E)=
(F)=

No.	Lev.	Parts No.	Description	Q'ty						I	R
				(A)	(B)	(C)	(D)	(E)	(F)		
1	1	119620-14200	TAPPET	6							
2	1	119717-14400	ROD, PUSH	6							
3	1	119717-14581	CAMSHAFT ASSY	1							
8	1	26106-060122	BOLT, M6X 12 PLATED	2							
9	1	119717-25050	SHAFT, IDLE GEAR	1							
10	1	119717-25101	GEAR ASSY, IDLE	1							
13	1	26106-060352	BOLT, M6X 35 PLATED	3							
14	1	129150-25301	BOLT, INJECTION PUMP	4							
15	1	119717-25930	GEAR, PUMP	1							
16	1	119717-25911	BUSH, IDLE GEAR	1							1
17	1	119717-51150	FLANGE, CAMSHAFT	1							

Remarks
(1)Spare parts.

Fig.7. CRANKSHAFT & PISTON



(A)=3TNV80F-NGPGE
(B)=
(C)=

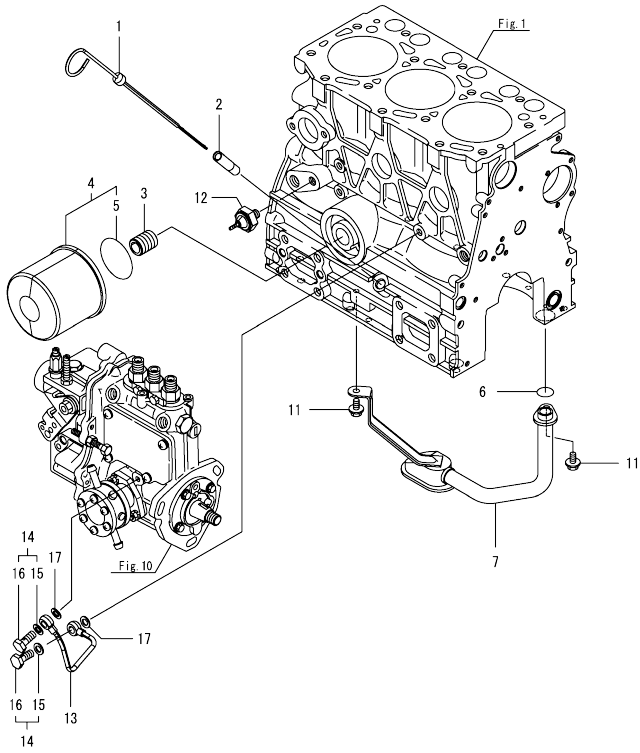
(D)=
(E)=
(F)=

No.	Lev.	Parts No.	Description	Q'ty						I	R
				(A)	(B)	(C)	(D)	(E)	(F)		
1	1	119E10-21700	CRANKSHAFT ASSY	1							
2	2	129100-01580	PIN, PARALLEL 8X16	1							
4	2	119717-21200	GEAR, CRANKSHAFT	1							
5	2	22512-040120	KEY, 4X 12	1							
7	1	121111-21501	BOLT, FLYWHEEL	5							
8	1	119E17-21570	FLYWHEEL ASSY	1							
10	2	119865-21600	GEAR, RING Z=116	1							
11	1	119C10-21650	V-PULLEY, CRANKSHAFT	1							
12	1	119621-21681	BOLT, FLANGE 12X1.25	1							
13	1	119C10-21931	PACKING, WASHER	1							
14	1	119C10-21940	WASHER, V-PULLEY	1							
15	1	22512-040120	KEY, 4X 12	1							
16	1	119E11-22080	PISTON ASSY	3							
18	2	119E10-22500	RING SET, PISTON	3							
22	1	119E10-22300	PIN, PISTON	3							
23	1	22252-000220	RING, 22	6							
24	1	119E10-23001	ROD ASSY, CONNECTING	3							
27	2	119717-23200	BOLT, CONNECTING ROD	6							
28	1	119717-23601	METAL ASSY, CRANK PIN	3							
30	1	119717-23910	METAL, PISTON PIN	3							1
31	1	119717-23611	METAL ASSY, PIN .25	3							2
33	1	119E11-22900	PISTON ASSY, 0.25 OS	3							3
34	2	119E10-22550	RING SET, PISTON .25	3							3

Remarks

- (1) Spare parts.
- (2) Over-sized (O.S.=0.25) parts.
- (3) Under-sized (U.S.=0.25) parts.

Fig.8. LUB. OIL SYSTEM

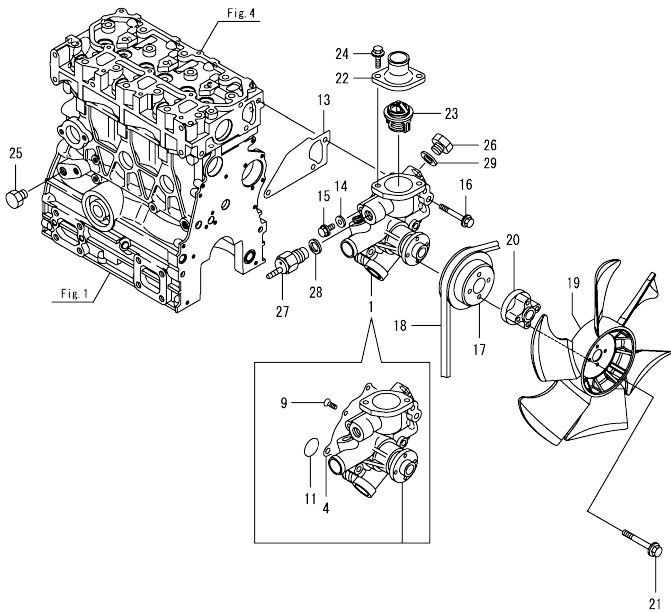


(A)=3TNV80F-NGPGE
(B)=
(C)=

(D)=
(E)=
(F)=

No.	Lev.	Parts No.	Description	Q'ty						I	R
				(A)	(B)	(C)	(D)	(E)	(F)		
1	1	119717-34801	DIPSTICK, OIL	1							
2	1	121520-34810	GUIDE, DIPSTICK	1							
3	1	119717-35140	STUD	1							
4	1	119660-35150	FILTER ASSY, D80XL75	1							
5	2	124450-35110	O-RING, OIL FILTER	1							
6	1	119717-32060	O-RING, P15.0	1							
7	1	119717-35080	PIPE ASSY, OIL INLET	1							
11	1	26106-060102	BOLT, M6X 10 PLATED	2							
12	1	114250-39450	SWITCH, HYDRAULIC	1							
13	1	119717-39210	PIPE, PUMP	1							
14	1	129005-59830	BOLT ASSY, JOINT M8	2							
15	2	22190-080002	WASHER, SEAL 8	2							
16	2	23857-030000	BOLT, JOINT 3	2							
17	1	22190-080002	WASHER, SEAL 8	2							

Fig.9. COOLING WATER SYSTEM

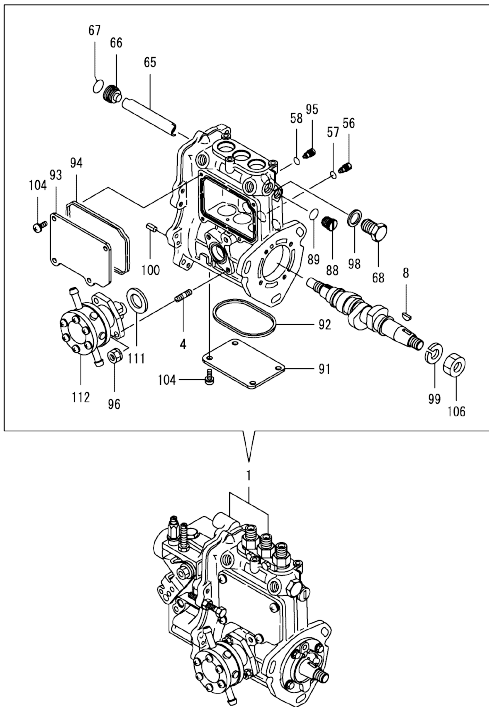


(A)=3TNV80F-NGPGE
(B)=
(C)=

(D)=
(E)=
(F)=

No.	Lev.	Parts No.	Description	Q'ty						I	R
				(A)	(B)	(C)	(D)	(E)	(F)		
1	1	119E10-42001	PUMP ASSY, CW	1							
4	2	119717-42031	GASKET, WATER PUMP	1							
9	2	26577-060122	SCREW, M6X12	4							
11	2	119C10-42320	O-RING, 2028	1							
13	1	119717-42020	GASKET, WATER PUMP	1							
14	1	23414-080000	GASKET, 8X1.0	1							
15	1	26106-080122	BOLT, M8X 12 PLATED	1							
16	1	26106-080502	BOLT, M8X 50 PLATED	3							
17	1	119717-42350	V-PULLEY, PUMP D=100	1							
18	1	25152-003600	V-BELT, A36	1							
19	1	171340-44740	FAN, COOLING D335XNF	1							
20	1	129457-44760	SPACER, FAN	1							
21	1	26106-060452	BOLT, M6X 45 PLATED	4							
22	1	129350-49530	COVER, THERMOSTAT	1							
23	1	119717-49800	THERMOSTAT, 71C	1							
24	1	26106-080202	BOLT, M8X 20 PLATED	2							
25	1	171056-49120	PLUG, DRAIN R1/4	1							
26	1	121450-42450	PLUG, M16	1							
27	1	121250-44901	SWITCH, TEMPERATURE	1							
28	1	124465-44950	GASKET, 16	1							
29	1	124465-44950	GASKET, 16	1							

Fig.10. FUEL INJECTION PUMP



(A)=3TNV80F-NGPGE
(B)=
(C)=

(D)=
(E)=
(F)=

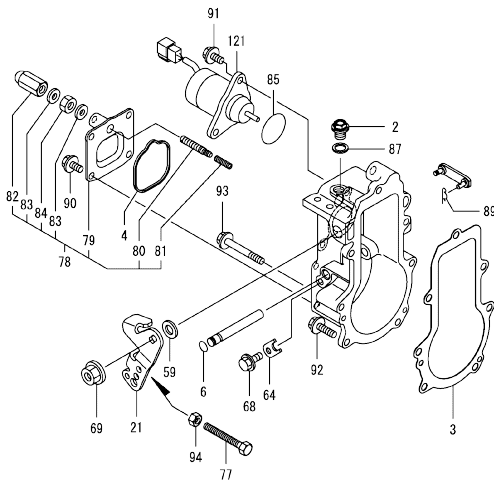
No.	Lev.	Parts No.	Description	Q'ty						I	R
				(A)	(B)	(C)	(D)	(E)	(F)		
1	1	719E46-51300	FIE ASSY	1							1
4	2	129155-51020	STUD	2							
8	2	122710-51090	KEY, FEATHER	1							
56	2	158600-51270	STOPPER, TAPPET	3							
57	2	129155-51280	O-RING, S6	3							
58	2	129155-51280	O-RING, S6	1							
65	2	129155-51400	PROTECTOR	1							
66	2	158600-51410	PLUG, DEFLIFTER M12	1							
67	2	119717-51420	O-RING	1							
68	2	158600-51420	PLUG, DEFLIFTER M16	1							
88	2	158600-51570	PLUG, RACK	1							
89	2	129155-51580	O-RING	1							
91	2	129155-51701	COVER, PUMP BOTTOM	1							
92	2	119717-51711	GASKET, PUMP	1							
93	2	119717-51750	COVER, BODY SIDE	1							
94	2	119717-51761	GASKET, PUMP COVER	1							
95	2	158600-51790	STOPPER, RACK	1							
96	2	119717-51860	NUT, M6	2							
98	2	22190-160002	WASHER, SEAL 16	1							
99	2	22217-120000	WASHER, SPRING 12	1							
100	2	22351-050010	PIN, SPRING 5.0X10	2							
104	2	26022-050122	SCREW, M5X12	8							
106	2	26716-120002	NUT, M12	1							
111	2	129155-52051	GASKET, PUMP COVER	1							
112	2	129100-52101	PUMP ASSY, FUEL FEED	1							

Remarks

(1)Governor(Fig.11) is incorporated in this Fuel Injection Pump(No.1).

N:Old $\frac{100}{100}$ New, Q:Old $\frac{100}{100}$ New, R:Old $\frac{100}{100}$ New, S:Old $\frac{100}{100}$ New, W:Add, Z:Discontinued, F:Interchangeable by set, K:Q'ty Change
Copyright (C) 2019 YANMAR CO., LTD. All Rights Reserved.

Fig.11. GOVERNOR



(A)=3TNV80F-NGPGE
(B)=
(C)=

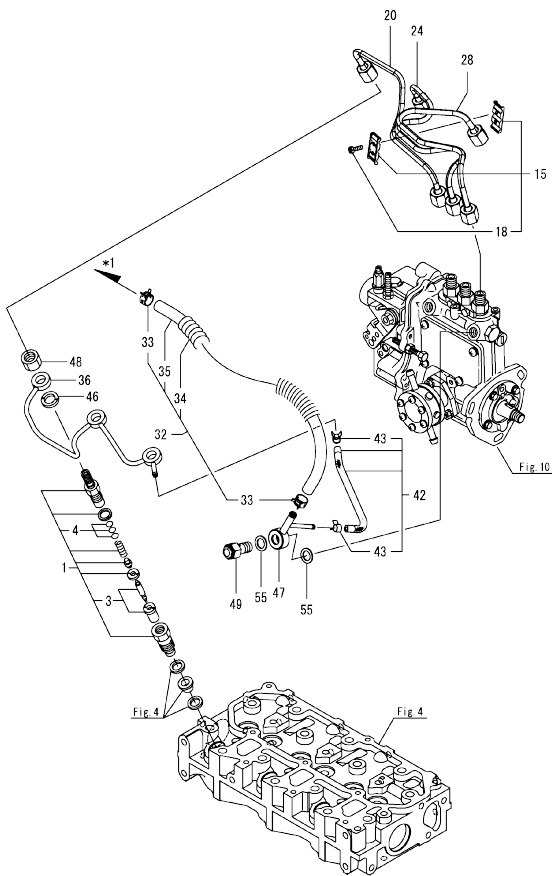
(D)=
(E)=
(F)=

No.	Lev.	Parts No.	Description	Q'ty						I	R
				(A)	(B)	(C)	(D)	(E)	(F)		
2	2	119717-51930	PLUG, M10	1							
3	2	119717-61050	GASKET, CASE	1							
4	2	119717-61070	GASKET, COVER	1							
6	2	129155-51280	O-RING, S6	1							
21	2	119746-61440	LEVER, CONTROL	1							
59	2	158552-61700	SHIM SET	1							
64	2	119660-61901	STOPPER, SHAFT	1							
68	2	26106-060102	BOLT, M6X 10 PLATED	1							
69	2	26366-080002	NUT, M8	1							
77	2	129155-61461	BOLT, IDLE LIMIT	1							
78	2	119746-61600	COVER ASSY, IDLE SUB	1							
79	3	119746-61060	COVER, GOVERNOR CASE	1							
80	3	119645-61070	SCREW, ADJUSTER	1							
81	3	119746-61080	SPRING, IDLE SUB	1							
82	3	119600-66840	NUT, CAP	1							
83	3	22190-060003	SEAL WASER 6	2							
84	3	26756-060002	NUT, LOCK M6	1							
85	2	158552-61900	O-RING	1							
87	2	22190-100002	WASHER, SEAL 10	1							
89	2	22372-040000	PIN, SNAP 4	1							
90	2	26106-060102	BOLT, M6X 10 PLATED	4							
91	2	26106-060142	BOLT, M6X 14 PLATED	2							
92	2	26106-060202	BOLT, M6X 20 PLATED	4							
93	2	26106-060452	BOLT, M6X 45 PLATED	3							
94	2	119740-61470	NUT	1							
121	2	129630-77910	SOLENOID, STOP	1							

Remarks

* This figure(Governor) is incorporated in the Fuel Injection Pump(Fig.10).

Fig.12. FUEL INJECTION VALVE



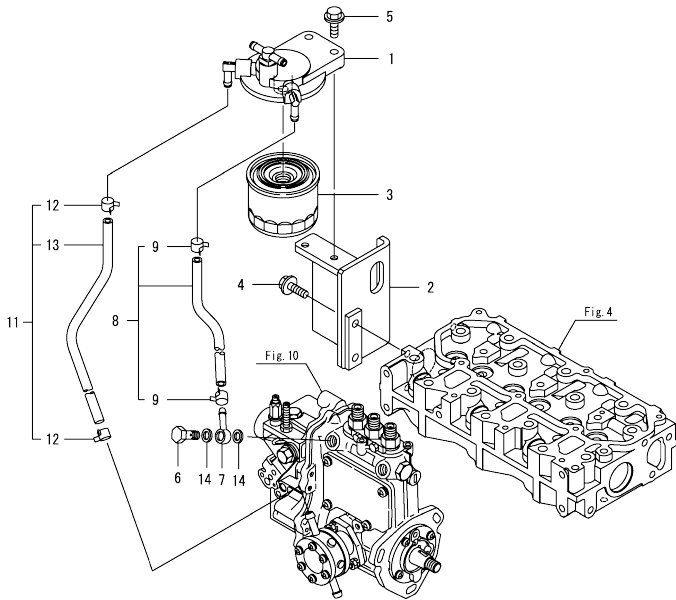
(A)=3TNV80F-NGPGE
(B)=
(C)=

(D)=
(E)=
(F)=

No.	Lev.	Parts No.	Description	Q'ty						I	R
				(A)	(B)	(C)	(D)	(E)	(F)		
1	1	119517-53001	VALVE ASSY,INJECTION	3							
3	2	119517-53010	VALVE ASSY,INJECTION	3							
4	2	129901-53800	SHIM SET, ADJUSTING	3							1
15	1	129150-59120	RETAINER, PIPE	1							
18	2	129150-59131	BOLT, M4X14	2							
20	1	119E10-59810	PIPE ASSY, INJECTION	1							
24	1	119E10-59820	PIPE, INJECTION NO.2	1							
28	1	119E10-59830	PIPE, INJECTION NO.3	1							
32	1	129956-59010	HOSE ASSY, FUEL	1							
33	2	124766-59050	CLAMP, HOSE 11.5	2							
34	2	129957-59101	TUBE, CORRUGATED 15	1							
35	2	105225-59511	HOSE, FUEL	1							
36	1	119717-59510	PIPE ASSY, RETURN	1							
42	1	119744-59560	HOSE ASSY, RETURN	1							
43	2	124066-59100	CLAMP, HOSE 8	2							
46	1	129901-59560	GASKET, FUEL RETURN	3							
47	1	119740-59590	JOINT, OVERFLOW	1							
48	1	119620-59700	NUT, NOZZLE RETURN	3							
49	1	119813-59950	VALVE ASSY, CHECK	1							
55	1	22190-120002	WASHER, SEAL 12	2							

Remarks
(1)Spare parts.
*1. To fuel filter.

Fig.13. FUEL PIPE

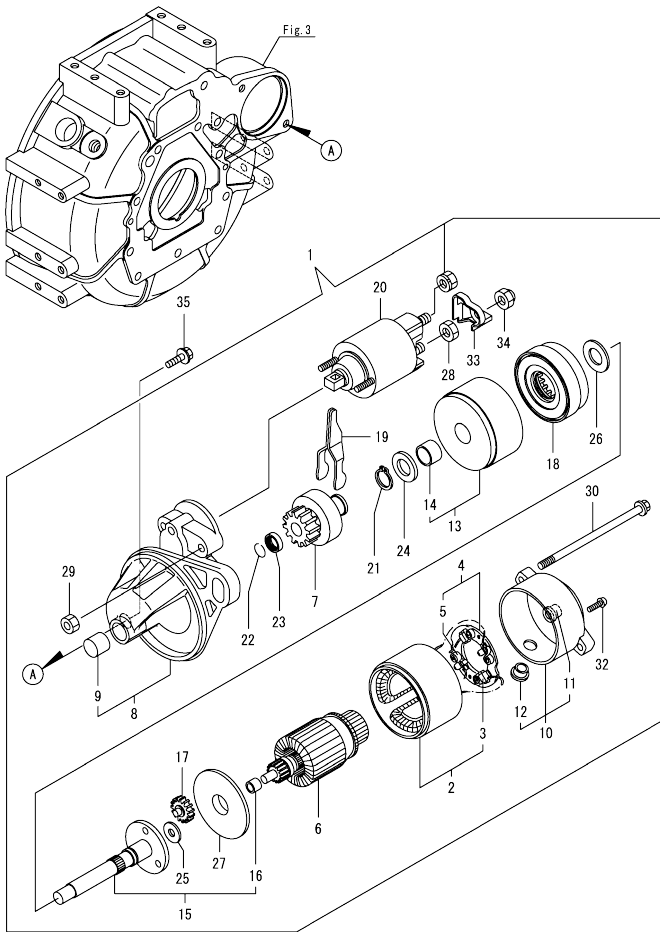


(A)=3TNV80F-NGPGE
(B)=
(C)=

(D)=
(E)=
(F)=

No.	Lev.	Parts No.	Description	Q'ty					
				(A)	(B)	(C)	(D)	(E)	(F)
1	1	119934-55611	BRACKET, FILTER	1					
2	1	119540-55651	BRACKET, FILTER	1					
3	1	119802-55801	FILTER, FUEL	1					
4	1	26106-080162	BOLT, M8X 16 PLATED	2					
5	1	26106-080302	BOLT, M8X 30 PLATED	2					
6	1	103854-39140	BOLT, PIPE JOINT	1					
7	1	101304-59020	JOINT, PIPE 12	1					
8	1	129210-59080	HOSE ASSY, FUEL L270	1					
9	2	124766-59050	CLAMP, HOSE 11.5	2					
11	1	129210-59170	HOSE ASSY, FUEL L440	1					
12	2	124766-59050	CLAMP, HOSE 11.5	2					
13	2	105225-59511	HOSE, FUEL	1					
14	1	22190-120002	WASHER, SEAL 12	2					

Fig.14. STARTER MOTOR

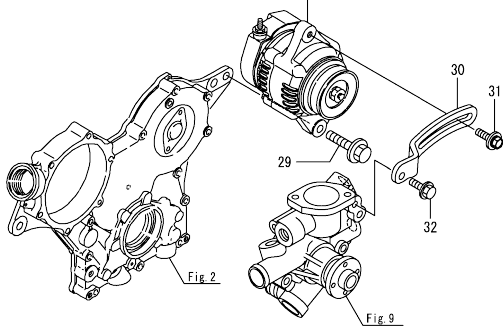
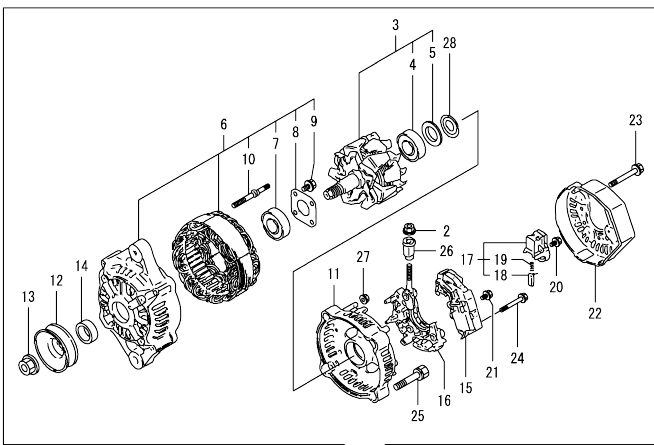


(A)=3TNV80F-NGPGE
(B)=
(C)=

(D)=
(E)=
(F)=

No.	Lev.	Parts No.	Description	Q'ty						I	R
				(A)	(B)	(C)	(D)	(E)	(F)		
1	1	119717-77010	STARTER, P1.1	1							
2	2	X0281007750	YOKE ASSY	1							
3	3	X0280996180	STARTER KIT	2							
4	2	X0285105190	HOLDER ASSY	1							
5	3	X0285205030	SPRING	4							
6	2	X0282005991	ARMATURE ASSY	1							
7	2	X0283006960	CLUTCH	1							
8	2	X4284001590	HOUSING ASSY	1							
9	3	X9491050100	BEARING, NEEDLE	1							
10	2	X0285007030	FRAME ASSY	1							
11	3	X9491040990	BEARING	1							
12	3	X0280626010	COVER	1							
13	2	X0284105040	BEARING ASSY, SUB	1							
14	3	X9491034330	BEARING	1							
15	2	X0286105010	SHAFT ASSY, SUB	1							
16	3	X9491034320	BEARING	1							
17	2	X0286305010	GEAR	3							
18	2	X0286355010	GEAR	1							
19	2	X0287405140	LEVER	1							
20	2	X2534000090	SWITCH ASSY	1							
21	2	X9055715000	RING	1							
22	2	X9490721360	RING	1							
23	2	X0280210331	NUT	1							
24	2	X9490138110	WASHER	1							
25	2	X9490138090	WASHER	1							
26	2	X9490138100	WASHER	1							
27	2	X0284525010	PLATE	1							
28	2	X9490562360	NUT	1							
29	2	X9490560750	NUT	2							
30	2	X9490423420	BOLT, THROUGH	2							
32	2	X9490065670	SCREW, M4X6	2							
33	2	X1280330020	COVER, TERMINAL	1							
34	2	X1289510130	NUT	1							
35	1	26106-100252	BOLT, M10X 25 PLATED	2							

Fig.15. GENERATOR

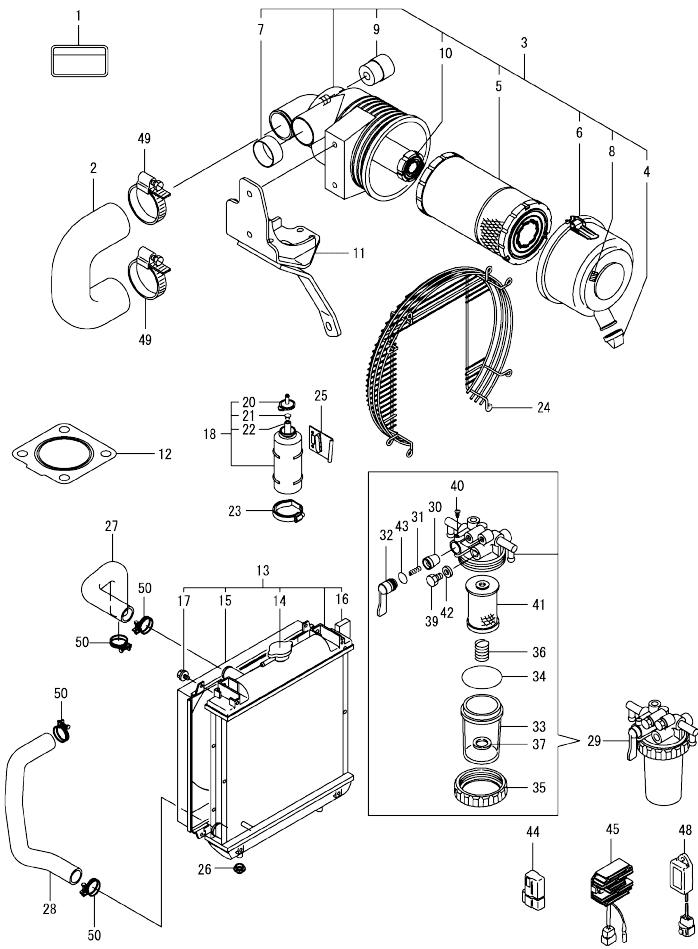


(A)=3TNV80F-NGPGE
(B)=
(C)=

(D)=
(E)=
(F)=

No.	Lev.	Parts No.	Description	Q'ty					
				(A)	(B)	(C)	(D)	(E)	(F)
1	1	129423-77210	ALTERNATOR, 12V-40A	1					
2	2	X9490561001	NUT	1					
3	2	119620-77380	ROTOR ASSY	1					
4	3	123501-79240	BEARING, BALL	1					
5	3	119620-79250	COVER, BEARING	1					
6	2	119620-77421	FRAME ASSY, DRIVE	1					
7	3	119620-79200	BEARING, BALL	1					
8	3	119620-79210	PLATE, RETAINER	1					
9	3	119620-79220	SCREW	4					
10	3	119620-79230	STUD	2					
11	2	119620-77440	FRAME ASSY, REAR	1					
12	2	119620-77461	PULLEY, GENERATOR	1					
13	2	119620-77471	NUT	1					
14	2	119620-77490	COLLAR	1					
15	2	129423-77720	REGULATOR ASSY	1					
16	2	119620-79260	HOLDER ASSY	1					
17	2	129052-79270	HOLDER ASSY, BRUSH	1					
18	3	119620-77480	BRUSH ASSY, SUB	2					
19	3	119620-79280	SPRING	2					
20	2	119620-79290	SCREW	6					
21	2	119620-79300	SCREW	1					
22	2	129240-79300	COVER	1					
23	2	119620-79310	BOLT	3					
24	2	119620-79320	SCREW, W/WASHER	2					
25	2	119620-79330	BOLT	2					
26	2	119620-79340	BUSH, INSULATION	1					
27	2	119620-79350	NUT	2					
28	2	119620-79360	WASHER, THRUST	1					
29	1	26106-100452	BOLT, M10X 45 PLATED	1					
30	1	119717-77330	ADJUSTER, BELT	1					
31	1	119810-77340	BOLT, ADJUSTER L=30	1					
32	1	26106-080202	BOLT, M8X 20 PLATED	1					

Fig.16. ACCESSORY



(A)=3TNV80F-NGPGE
(B)=
(C)=

(D)=
(E)=
(F)=

No.	Lev.	Parts No.	Description	Q'ty						I	R
				(A)	(B)	(C)	(D)	(E)	(F)		
1	1	114110-07761	LABEL, FUEL CAUTION	1							
2	1	119761-12020	HOSE, AIR INTAKE	1							
3	1	119515-12530	CLEANER ASSY, AIR	1							
4	2	119808-12540	VALVE, UNLODER	1							
5	2	119655-12560	ELEMENT, AIR CLEANER	1							
6	2	119336-12570	COVER ASSY, CLEANER	1							
7	2	105027-12580	RING, VALVE	1							
8	2	129612-12650	LABEL, MARKING	1							
9	2	126650-12680	INDICATOR	1							
10	2	119233-12700	ELEMENT, INNER	1							
11	1	119761-12540	SUPPORT, CLEANER	1							
12	1	119515-13200	GASKET, SILENCER	1							
13	1	119802-44500	RADIATOR ASSY	1							
14	2	129107-44590	CAP, RADIATOR	1							
15	2	119802-44600	SHROUD, FAN	1							
16	2	119515-44610	GASKET	2							
17	2	26014-060122	BOLT, M6X 12	4							
18	1	124450-44510	TANK ASSY, SUB	1							
20	2	124450-44530	CAP, SUB TANK	1							
21	2	124450-44560	CLAMP, PIPE	1							
22	2	23061-070230	PIPE, 7X 230	1							
23	1	124450-44550	BAND, SUB TANK	1							
24	1	119802-44560	GUARD, FAN	1							
25	1	121256-44600	BRACKET, SUB TANK	1							
26	1	119255-44660	RUBBER, RADIATOR	2							
27	1	119802-49010	HOSE, WATER A	1							
28	1	119802-49020	PIPE, WATER B	1							
29	1	129335-55701	SEPARATOR ASSY, WATER	1							
30	2	104200-55321	VALVE, TAPER	1							
31	2	104200-55330	SPRING, FUEL VALVE	1							
32	2	104200-55341	HANDLE, COCK	1							
33	2	124064-55510	CUP, FUEL STARINER	1							
34	2	102103-55520	O-RING, FILTER	1							
35	2	110250-55610	RING, CUP RETAINING	1							
36	2	121257-55720	SPRING, ELEMENT	1							
37	2	121257-55731	FLOAT	1							
39	2	101720-55750	PLUG, HEXAGON M6	2							
40	2	104200-55750	SCREW, M4	1							
41	2	171081-55910	FILTER, FUEL 100M	1							
42	2	23418-060000	GASKET, 6X1.0	2							
43	2	24311-240100	O-RING, 1AP10A	1							
44	1	119643-66900	DIODE	1							
45	1	119650-77911	RELAY ASSY, GLOW	1							
48	1	129211-77920	TIMER, SECTION 1	1							
49	1	23000-054000	CLAMP, 54	2							
50	1	23010-038000	CLAMP, 38	4							

N:Old $\frac{New}{Old}$ New, Q:Old $\frac{New}{Old}$ New, R:Old $\frac{New}{Old}$ New, S:Old $\frac{New}{Old}$ New, W:Add, Z:Discontinued, F:Interchangeable by set, K:Q'ty Change
Copyright (C) 2019 YANMAR CO., LTD. All Rights Reserved.

Parts No. Index

Parts No.	Fig. No.	Ref. No.	Parts No.	Fig. No.	Ref. No.	Parts No.	Fig. No.	Ref. No.	Parts No.	Fig. No.	Ref. No.
101304-59020	13	7	119620-79290	15	20	119717-23611	7	31	119802-03131	4	42
101720-55750	16	39	119620-79300	15	21	119717-23910	7	30	119802-03141	4	43
102103-55520	16	34	119620-79310	15	23	119717-25050	6	9	119802-32130	2	15
103854-39140	13	6	119620-79320	15	24	119717-25101	6	10	119802-44500	16	13
104200-55321	16	30	119620-79330	15	25	119717-25911	6	16	119802-44560	16	24
104200-55330	16	31	119620-79340	15	26	119717-25930	6	15	119802-44600	16	15
104200-55341	16	32	119620-79350	15	27	119717-32050	2	19	119802-49010	16	27
104200-55750	16	40	119620-79360	15	28	119717-32060	8	6	119802-49020	16	28
105010-11490	4	3	119621-21681	7	12	119717-32080	2	9	119802-55801	13	3
105027-12580	16	7	119623-01250	1	5	119717-32100	2	8	119808-12540	16	4
105225-59511	12	35	119624-32040	2	18	119717-32110	2	13	119810-01200	1	26
	13	13	119643-66900	16	44	119717-32120	2	14	119810-02941	1	34
105311-01090	1	4	119645-61070	11	80	119717-34801	8	1	119810-77340	15	31
105425-01690	3	11	119650-77911	16	45	119717-35080	8	7	119813-59950	12	49
110250-55610	16	35	119655-12560	16	5	119717-35140	8	3	119865-21600	7	10
114110-07761	16	1	119660-01911	2	17	119717-39210	8	13	119888-01850	3	4
114250-39450	8	12	119660-35150	8	4	119717-42020	9	13	119934-55611	13	1
119131-18320	5	5	119660-61901	11	64	119717-42031	9	4	119C10-21650	7	11
119233-12700	16	10	119717-01501	2	1	119717-42350	9	17	119C10-21931	7	13
119255-44660	16	26	119717-01570	2	2	119717-49800	9	23	119C10-21940	7	14
119285-01990	1	6	119717-01611	3	2	119717-51150	6	17	119C10-42320	9	11
119285-11990	4	11	119717-01720	3	9	119717-51420	10	67	119E00-01560	1	1
119336-12570	16	6	119717-01750	2	16	119717-51711	10	92	119E10-01330	1	27
119515-12530	16	3	119717-01770	3	10	119717-51750	10	93	119E10-11100	4	13
119515-13200	16	12	119717-01800	2	6	119717-51761	10	94	119E10-11110	4	14
119515-44610	16	16	119717-02411	1	10	119717-51860	10	96	119E10-11750	4	4
119517-53001	12	1	119717-02930	1	23	119717-51930	11	2	119E10-21700	7	1
119517-53010	12	3	119717-03031	4	36	119717-59510	12	36	119E10-22300	7	22
119540-55651	13	2	119717-03070	4	37	119717-61050	11	3	119E10-22500	7	18
119600-11460	4	2			38	119717-61070	11	4	119E10-22550	7	34
119600-66840	11	82	119717-11131	4	15	119717-77010	14	1	119E10-23001	7	24
119620-01750	3	5	119717-11190	4	17	119717-77330	15	30	119E10-42001	9	1
119620-02020	1	7	119717-11200	4	21	119717-77801	4	56	119E10-59810	12	20
119620-11280	4	26	119717-11240	4	22	119717-77820	4	57	119E10-59820	12	24
119620-14200	6	1	119717-11260	4	25	119718-11310	4	45	119E10-59830	12	28
119620-59700	12	48	119717-11320	4	46	119734-01580	2	3	119E11-22080	7	16
119620-77380	15	3	119717-11331	4	47	119734-02220	3	6	119E11-22900	7	33
119620-77421	15	6	119717-11340	4	18	119740-59590	12	47	119E17-21570	7	8
119620-77440	15	11	119717-11350	4	19	119740-61470	11	94	121023-01551	2	30
119620-77461	15	12	119717-11381	4	35	119744-01521	2	5	121111-21501	7	7
119620-77471	15	13	119717-11650	4	27	119744-59560	12	42	121250-44901	9	27
119620-77480	15	18	119717-11800	4	58	119746-61060	11	79	121256-44600	16	25
119620-77490	15	14	119717-13109	5	1	119746-61080	11	81	121257-55720	16	36
119620-79200	15	7	119717-13110	5	2	119746-61440	11	21	121257-55731	16	37
119620-79210	15	8	119717-13600	5	3	119746-61600	11	78	121450-42450	9	26
119620-79220	15	9	119717-14400	6	2	119761-12020	16	2	121520-34810	8	2
119620-79230	15	10	119717-14581	6	3	119761-12540	16	11	121850-51960	2	20
119620-79250	15	5	119717-21200	7	4	119802-03100	4	39	122710-51090	10	8
119620-79260	15	16	119717-23200	7	27	119802-03110	4	40	123501-79240	15	4
119620-79280	15	19	119717-23601	7	28	119802-03121	4	41	124060-01050	1	11

Parts No. Index

Parts No.	Fig. No.	Ref. No.
124064-55510	16	33
124066-59100	12	43
124160-01751	2	28
	4	34
124160-01910	1	12
124450-35110	8	5
124450-44510	16	18
124450-44530	16	20
124450-44550	16	23
124450-44560	16	21
124465-44950	9	28
		29
124766-59050	12	33
	13	9
		12
126650-12680	16	9
129001-32320	2	11
129001-32330	2	12
129005-59830	8	14
129052-79270	15	17
129100-01580	3	1
	7	2
129100-52101	10	112
129107-44590	16	14
129150-11230	4	28
129150-11750	4	30
129150-25301	6	14
129150-59120	12	15
129150-59131	12	18
129155-51020	10	4
129155-51280	10	57
		58
	11	6
129155-51400	10	65
129155-51580	10	89
129155-51701	10	91
129155-52051	10	111
129155-61461	11	77
129210-59080	13	8
129210-59170	13	11
129211-77920	16	48
129240-79300	15	22
129335-55701	16	29
129350-49530	9	22
129423-77210	15	1
129423-77720	15	15
129457-44760	9	20
129508-11180	4	16
129612-12650	16	8
129630-77910	11	121

Parts No.	Fig. No.	Ref. No.
129900-07900	4	54
129900-32130	2	10
129901-11450	4	1
129901-53800	12	4
129901-59560	12	46
129956-59010	12	32
129957-59101	12	34
129E00-13610	5	4
158552-61700	11	59
158552-61900	11	85
158600-51270	10	56
158600-51410	10	66
158600-51420	10	68
158600-51570	10	88
158600-51790	10	95
171056-49120	9	25
171081-55910	16	41
171340-44740	9	19
22190-060003	11	83
22190-080002	8	15
		17
22190-100002	11	87
22190-120002	12	55
	13	14
22190-160002	3	14
	10	98
22217-120000	10	99
22242-000120	4	31
22252-000220	7	23
22351-050010	10	100
22351-060012	4	20
22372-040000	11	89
22512-040120	7	5
		15
22857-500100	4	48
		49
22857-500160	4	50
23000-054000	16	49
23010-038000	16	50
23061-070230	16	22
23414-080000	9	14
23418-060000	16	42
23857-030000	8	16
23876-005000	4	12
23876-030000	2	7
24311-000320	2	29
	4	51
24311-240100	16	43
24341-000240	2	31
25152-003600	9	18

Parts No.	Fig. No.	Ref. No.
26014-060122	16	17
26022-050122	10	104
26106-060102	8	11
	11	68
		90
26106-060122	2	21
	6	8
26106-060142	11	91
26106-060162	2	22
		32
26106-060202	4	52
	11	92
26106-060352	6	13
26106-060402	2	23
		24
26106-060452	9	21
	11	93
26106-060602	2	25
26106-060652	2	26
26106-060752	4	53
26106-080122	3	15
	9	15
26106-080162	4	55
	13	4
26106-080202	9	24
	15	32
26106-080302	3	16
	13	5
26106-080402	4	33
26106-080452	3	17
26106-080502	3	18
	9	16
26106-100252	14	35
26106-100452	15	29
26206-100252	3	7
26206-100302	3	8
26306-080002	2	27
	5	6
26366-080002	11	69
26577-060122	9	9
26716-120002	10	106
26756-060002	11	84
26979-050162	4	32
27241-120000	1	13
719717-02901	1	28
719717-02911	1	31
719734-01510	2	4
719E46-51300	10	1
X0280210331	14	23
X0280626010	14	12

Parts No.	Fig. No.	Ref. No.
X0280996180	14	3
X0281007750	14	2
X0282005991	14	6
X0283006960	14	7
X0284105040	14	13
X0284525010	14	27
X0285007030	14	10
X0285105190	14	4
X0285205030	14	5
X0286105010	14	15
X0286305010	14	17
X0286355010	14	18
X0287405140	14	19
X1280330020	14	33
X1289510130	14	34
X2534000090	14	20
X4284001590	14	8
X9055715000	14	21
X9490065670	14	32
X9490138090	14	25
X9490138100	14	26
X9490138110	14	24
X9490423420	14	30
X9490560750	14	29
X9490561001	15	2
X9490562360	14	28
X9490721360	14	22
X9491034320	14	16
X9491034330	14	14
X9491040990	14	11
X9491050100	14	9