

0CD50-M04350EN

# P R E F A C E

This parts catalog is the 1st edition of 3TNV80F-NXDLST for LS Mtron Ltd.

Published : December, 2018

## Contents

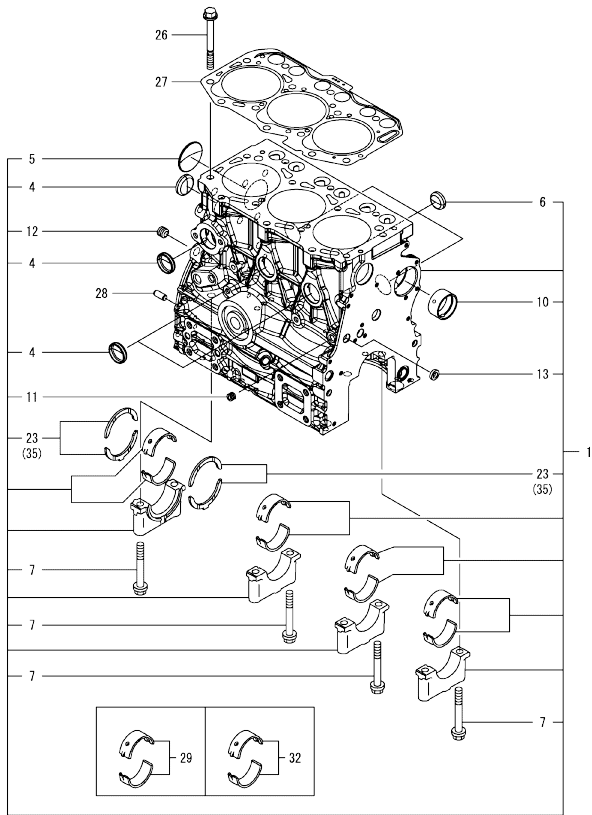
OCD50-M04350

Fig. No.	Fig. Name	Fig. No.	Fig. Name
ENGINE			
1.	CYLINDER BLOCK		
2.	GEAR HOUSING		
3.	OIL SUMP		
4.	CYLINDER HEAD & BONNET		
5.	EXHAUST MANIFOLD		
6.	CAMSHAFT & DRIVING GEAR		
7.	CRANKSHAFT & PISTON		
8.	LUB. OIL SYSTEM		
9.	COOLING WATER SYSTEM		
10.	FUEL INJECTION PUMP		
11.	GOVERNOR		
12.	FUEL INJECTION VALVE		
13.	FUEL PIPE		
14.	STARTER MOTOR		
15.	GENERATOR		
16.	ACCESSORY		

Fig.1. CYLINDER BLOCK

(A)=3TNV80F-NXDLS  
(B)=  
(C)=

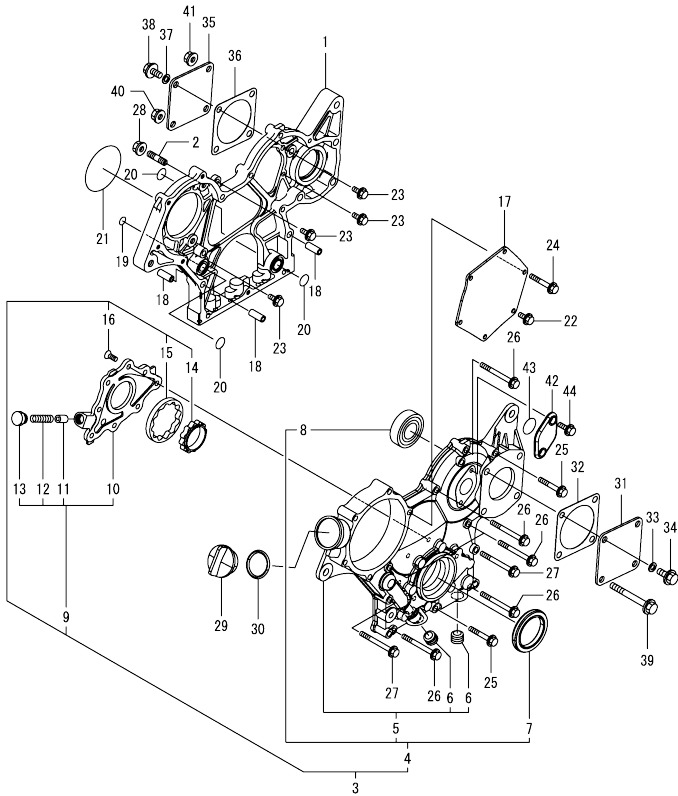
(D)=  
(E)=  
(F)=



No.	Lev.	Parts No.	Description	Q'ty						I	R
				(A)	(B)	(C)	(D)	(E)	(F)		
1	1	119E00-01560	BLOCK ASSY, CYLINDER	1							
4	2	105311-01090	PLUG, 30	4							
5	2	119623-01250	PLUG, 45	1							
6	2	119285-01990	PLUG, 25	3							
7	2	119620-02020	BOLT, METAL CAP	8							
10	2	119717-02411	BUSH, CAMSHAFT	1							
11	2	124060-01050	PLUG, PT1/8	1							
12	2	124160-01910	PLUG, PT1/4	1							
13	2	27241-120000	PLUG, 12	1							
23	2	119717-02930	METAL ASSY, THRUST	2							
26	1	119810-01200	BOLT, CYLINDER HEAD	14							
27	1	119E10-01330	GASKET SET, HEAD	1							
28	1	129100-01580	PIN, PARALLEL 8X16	2							
29	1	719717-02901	METAL ASSY, MAIN	4							1
32	1	719717-02911	METAL ASSY, MAIN .25	4							2
35	1	119810-02941	METAL ASSY, 0.25 OS	2							3

Remarks  
 (1)Spare parts.  
 (2)Under-sized(U.S.=0.25) parts.  
 (3)Over-sized(O.S.=0.25) parts.

Fig.2. GEAR HOUSING



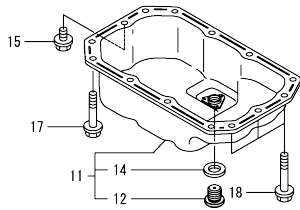
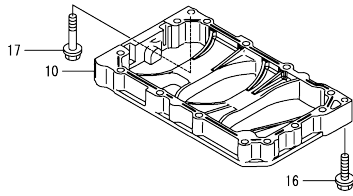
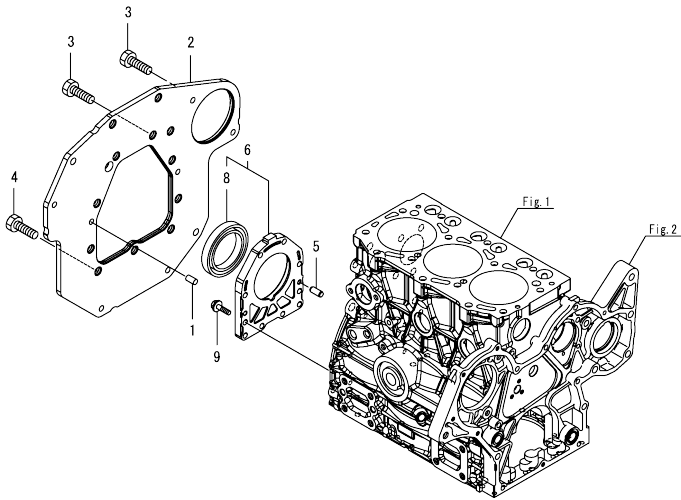
(A)=3TNV80F-NXDLST  
(B)=  
(C)=

(D)=  
(E)=  
(F)=

No.	Lev.	Parts No.	Description	Qty						I	R
				(A)	(B)	(C)	(D)	(E)	(F)		
1	1	119740-01501	CASE, GEAR	1							
2	1	119717-01570	STUD	3							
3	1	119751-01590	COVER ASSY, CASE	1							
4	2	719751-01500	COVER ASSY, CASE	1							
5	3	119751-01521	COVER, GEAR CASE	1							
6	4	23876-030000	PLUG, R03	2							
7	3	119717-01800	SEAL, OIL	1							
8	3	24101-062024	BEARING, BALL 6202	1							
9	2	119717-32100	COVER ASSY, PUMP	1							
10	3	119717-32080	COVER, OIL PUMP	1							
11	3	129900-32130	VALVE, RELIEF	1							
12	3	129001-32320	SPRING	1							
13	3	129001-32330	PLUG	1							
14	2	119717-32110	ROTOR, INNER	1							
15	2	119717-32120	ROTOR, OUTER	1							
16	2	119802-32130	SCREW, M6X16	8							
17	1	119717-01750	COVER, PUMP	1							
18	1	119660-01911	PIPE, KNOCK 6X17	4							
19	1	119624-32040	O-RING, P12.0	1							
20	1	119717-32050	O-RING, P17.0	3							
21	1	121850-51960	O-RING, FUEL PUMP	1							
22	1	26106-060122	BOLT, M6X 12 PLATED	1							
23	1	26106-060162	BOLT, M6X 16 PLATED	4							
24	1	26106-060402	BOLT, M6X 40 PLATED	4							
25	1	26106-060402	BOLT, M6X 40 PLATED	2							
26	1	26106-060602	BOLT, M6X 60 PLATED	7							
27	1	26106-060652	BOLT, M6X 65 PLATED	2							
28	1	26306-080002	NUT, M8	3							
29	1	124160-01751	CAP, FILLER	1							
30	1	24311-000320	O-RING, 1AP32.0	1							
31	1	124240-01871	COVER, HYDRAULIC PUMP	1							
32	1	129C26-01890	GASKET, PUMP	1							
33	1	22190-080002	WASHER, SEAL 8	1							
34	1	26106-080122	BOLT, M8X 12 PLATED	1							
35	1	124240-01871	COVER, HYDRAULIC PUMP	1							
36	1	129C26-01890	GASKET, PUMP	1							
37	1	22190-080002	WASHER, SEAL 8	1							
38	1	26106-080142	BOLT, M8X 14 PLATED	1							
39	1	26106-080702	BOLT, M8X 70 PLATED	3							
40	1	26306-080002	NUT, M8	1							
41	1	26306-080002	NUT, M8	2							
42	1	121023-01551	COVER, TACHOMETER	1							
43	1	24341-000240	O-RING, 1AS24.0	1							
44	1	26106-060162	BOLT, M6X 16 PLATED	2							

OCD50-M04350 ENGINE  
 Fig.3. OIL SUMP

OCD50-M04350 Fig.3

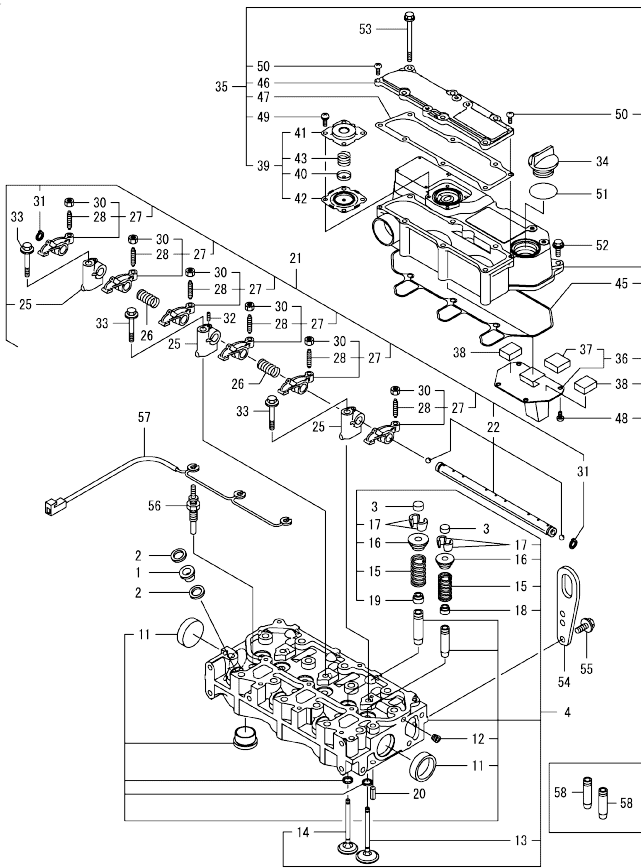


(A)=3TNV80F-NXDLS  
 (B)=  
 (C)=

(D)=  
 (E)=  
 (F)=

No.	Lev.	Parts No.	Description	Q'ty						I	R	
				(A)	(B)	(C)	(D)	(E)	(F)			
1	1	129100-01580	PIN, PARALLEL 8X16		2							
2	1	119E10-01600	FLANGE, MOUNTING		1							
3	1	26206-100202	BOLT, M10X 20 PLATED		9							
4	1	26206-100252	BOLT, M10X 25 PLATED		3							
5	1	119620-01620	PIN, PARALLEL M6X10		2							
6	1	119660-01640	CASE ASSY, OIL SEAL		1							
8	2	124085-02220	SEAL, METAL HOUSING		1							
9	1	26106-060222	BOLT, M6X 22 PLATED		10							
10	1	119717-01720	SPACER, OIL PAN		1							
11	1	119734-01790	OIL PAN ASSY		1							
12	2	119027-01650	PLUG, DRAIN 16		1							
14	2	22190-160002	WASHER, SEAL 16		1							
15	1	26106-080122	BOLT, M8X 12 PLATED		1							
16	1	26106-080302	BOLT, M8X 30 PLATED		1							
17	1	26106-080452	BOLT, M8X 45 PLATED		11							
18	1	26106-080502	BOLT, M8X 50 PLATED		3							

Fig.4. CYLINDER HEAD & BONNET



(A)=3TNV80F-NXDLST  
(B)=  
(C)=

(D)=  
(E)=  
(F)=

No.	Lev.	Parts No.	Description	(A)	(B)	(C)	(D)	(E)	(F)	I	R
1	1	129901-11450	PROTECTOR, NOZZLE	3							
2	1	119600-11460	GASKET, NOZZLE	6							
3	1	105010-11490	CAP, VALVE	6							
4	1	119E10-11750	HEAD ASSY, CYLINDER	1							
11	3	119285-11990	PLUG, 35	2							
12	3	23876-005000	PLUG, R005	1							
13	2	119E10-11100	VALVE, INTAKE	3							
14	2	119E10-11110	VALVE, EXHAUST	3							
15	2	119717-11131	SPRING, VALVE	6							
16	2	129508-11180	RETAINER, SPRING	6							
17	2	119717-11190	COTTER, VALVE	12							
18	2	119717-11340	SEAL, VALVE STEM	3							
19	2	119717-11350	SEAL, VALVE STEM	3							
20	1	22351-060012	PIN, SPRING 6.0X12	2							
21	1	119717-11200	SUPPORT ASSY, ROCKER	1							
22	2	119717-11240	SHAFT ASSY, ARM	1							
25	2	119717-11260	SUPPORT, ROCKER ARM	3							
26	2	119620-11280	SPRING, SHAFT	2							
27	2	119717-11650	ARM ASSY, ROCKER INT	6							
28	3	129150-11230	SCREW, VALVE ADJUST	6							
30	3	129150-11750	NUT, M8XP1.0	6							
31	2	22242-000120	RING, 12	2							
32	2	26979-050162	SCREW, M5X16	1							
33	1	26106-080402	BOLT, M8X 40 PLATED	3							
34	1	124160-01751	CAP, FILLER	1							
35	1	119717-11381	BONNET ASSY, HEAD	1							
36	2	119717-03031	PLATE, BAFFLE	1							
37	3	119717-03070	BAFFLE, BREATHER	1							
38	2	119717-03070	BAFFLE, BREATHER	2							
39	2	119802-03100	DIAPHRAGM ASSY	1							
40	3	119802-03110	PLATE, DIAPHRAGM	1							
41	3	119802-03121	COVER, DIAPHRAGM	1							
42	3	119802-03131	DIAPHRAGM, BREATHER	1							
43	3	119802-03141	SPRING, DIAPHRAGM	1							
45	2	119718-11310	GASKET, BONNET	1							
46	2	119717-11320	COVER, BONNET	1							
47	2	119717-11331	GASKET, BONNET COVER	1							
48	2	22857-500100	SCREW, 5X10	4							
49	2	22857-500100	SCREW, 5X10	4							
50	2	22857-500160	SCREW, 5X16	2							
51	1	24311-000320	O-RING, 1AP32.0	1							
52	1	26106-060202	BOLT, M6X 20 PLATED	3							
53	1	26106-060752	BOLT, M6X 75 PLATED	6							
54	1	119226-07900	LIFTER, ENGINE	1							
55	1	26106-080162	BOLT, M8X 16 PLATED	2							
56	1	119717-77801	PLUG, GLOW	3							
57	1	119717-77820	CONNECTOR, GLOW PLUG	1							
58	1	119717-11800	GUIDE, VALVE	6							1

Remarks  
(1)Spare parts.

N:Old  $\frac{100}{100}$  New, Q:Old  $\frac{100}{100}$  New, R:Old  $\frac{100}{100}$  New, S:Old  $\frac{100}{100}$  New, W:Add, Z:Discontinued, F:Interchangeable by set, K:Qty Change  
Copyright (C) 2018 YANMAR CO., LTD. All Rights Reserved.

Fig.5. EXHAUST MANIFOLD

(A)=3TNV80F-NXDLST  
(B)=  
(C)=

(D)=  
(E)=  
(F)=

No.	Lev.	Parts No.	Description	Q'ty						I	R
				(A)	(B)	(C)	(D)	(E)	(F)		
1	1	119740-13100	MANIFOLD, EXHAUST	1							
2	1	119717-13110	GASKET, MANIFOLD	1							
3	1	119717-13600	STUD, M8X50	2							
4	1	129E00-13610	BOLT, M8X50 10.9	2							
5	1	129E00-13630	BOLT, M8X71 10.9T	2							
6	1	119131-18320	STUD, M8X22	4							
7	1	26306-080002	NUT, M8	2							

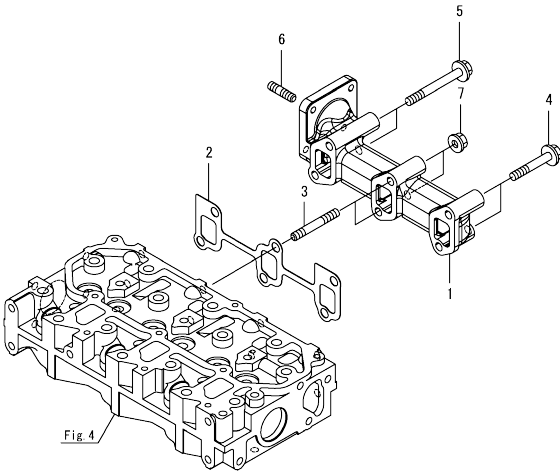
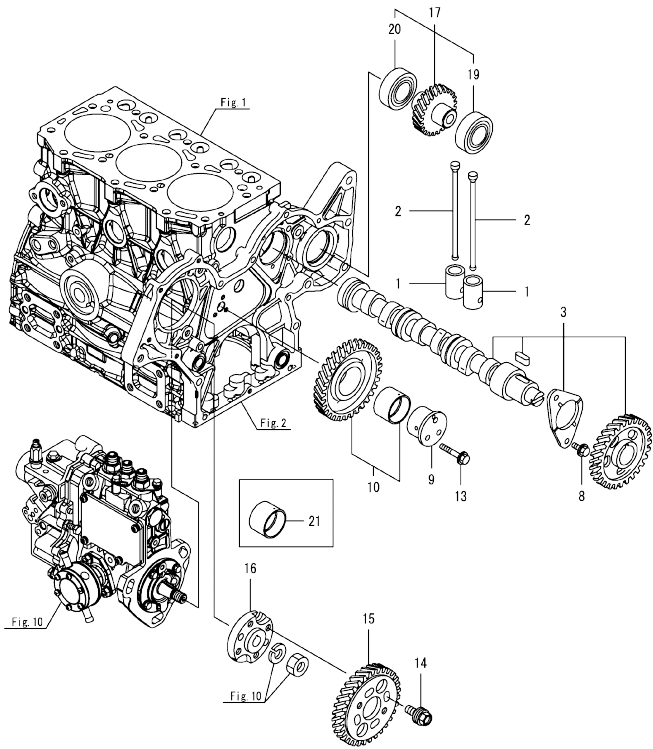




Fig.6. CAMSHAFT & DRIVING GEAR



(A)=3TNV80F-NXDLS  
(B)=  
(C)=

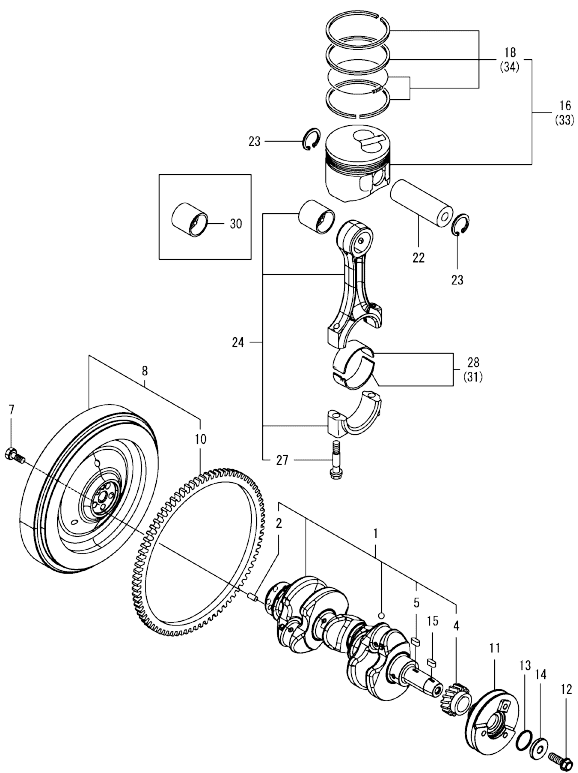
(D)=  
(E)=  
(F)=

No.	Lev.	Parts No.	Description	Q'ty						I	R
				(A)	(B)	(C)	(D)	(E)	(F)		
1	1	119620-14200	TAPPET	6							
2	1	119717-14400	ROD, PUSH	6							
3	1	119717-14581	CAMSHAFT ASSY	1							
8	1	26106-060122	BOLT, M6X 12 PLATED	2							
9	1	119717-25050	SHAFT, IDLE GEAR	1							
10	1	119717-25101	GEAR ASSY, IDLE	1							
13	1	26106-060352	BOLT, M6X 35 PLATED	3							
14	1	129150-25301	BOLT, INJECTION PUMP	4							
15	1	119717-25930	GEAR, PUMP	1							
16	1	119717-51150	FLANGE, CAMSHAFT	1							
17	1	119717-26000	GEAR ASSY, PUMP	1							
19	2	129350-26490	BEARING, BALL 16005	1							
20	2	24104-060054	BEARING, BALL 6005UU	1							
21	1	119717-25911	BUSH, IDLE GEAR	1							1

Remarks

(1)Spare parts.

Fig.7. CRANKSHAFT & PISTON



(A)=3TNV80F-NXDLST  
(B)=  
(C)=

(D)=  
(E)=  
(F)=

No.	Lev.	Parts No.	Description	Q'ty						I	R
				(A)	(B)	(C)	(D)	(E)	(F)		
1	1	119E10-21700	CRANKSHAFT ASSY	1							
2	2	129100-01580	PIN, PARALLEL 8X16	1							
4	2	119717-21200	GEAR, CRANKSHAFT	1							
5	2	22512-040120	KEY, 4X 12	1							
7	1	121111-21501	BOLT, FLYWHEEL	5							
8	1	119E10-21590	FLYWHEEL ASSY	1							
10	2	119865-21600	GEAR, RING Z=116	1							
11	1	119E10-21650	V-PULLEY, CRANKSHAFT	1							
12	1	119621-21681	BOLT, FLANGE 12X1.25	1							
13	1	119C10-21931	PACKING, WASHER	1							
14	1	119C10-21940	WASHER, V-PULLEY	1							
15	1	22512-040120	KEY, 4X 12	1							
16	1	119E11-22080	PISTON ASSY	3							
18	2	119E10-22500	RING SET, PISTON	3							
22	1	119E10-22300	PIN, PISTON	3							
23	1	22252-000220	RING, 22	6							
24	1	119E10-23001	ROD ASSY, CONNECTING	3							
27	2	119717-23200	BOLT, CONNECTING ROD	6							
28	1	119717-23601	METAL ASSY, CRANK PIN	3							
30	1	119717-23911	BUSH, PISTON PIN	3							1
31	1	119717-23611	METAL ASSY, PIN .25	3							2
33	1	119E11-22900	PISTON ASSY, 0.25 OS	3							3
34	2	119E10-22550	RING SET, PISTON .25	3							3

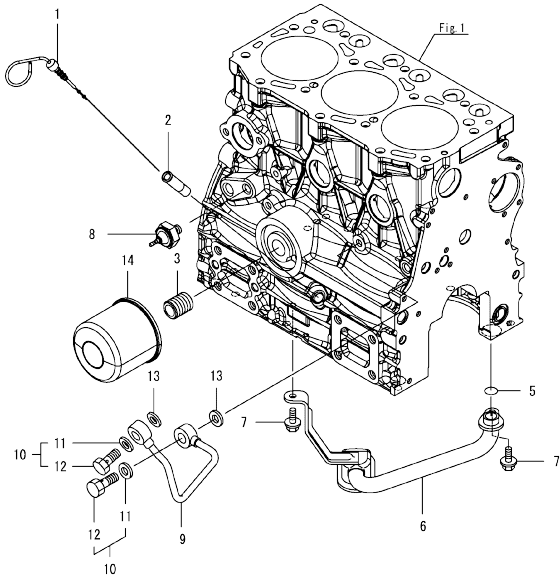
Remarks  
(1) Spare parts.  
(2) Under-sized (U.S.=0.25) parts.  
(3) Over-sized (O.S.=0.25) parts.

Fig.8. LUB. OIL SYSTEM

(A)=3TNV80F-NXDLST  
(B)=  
(C)=

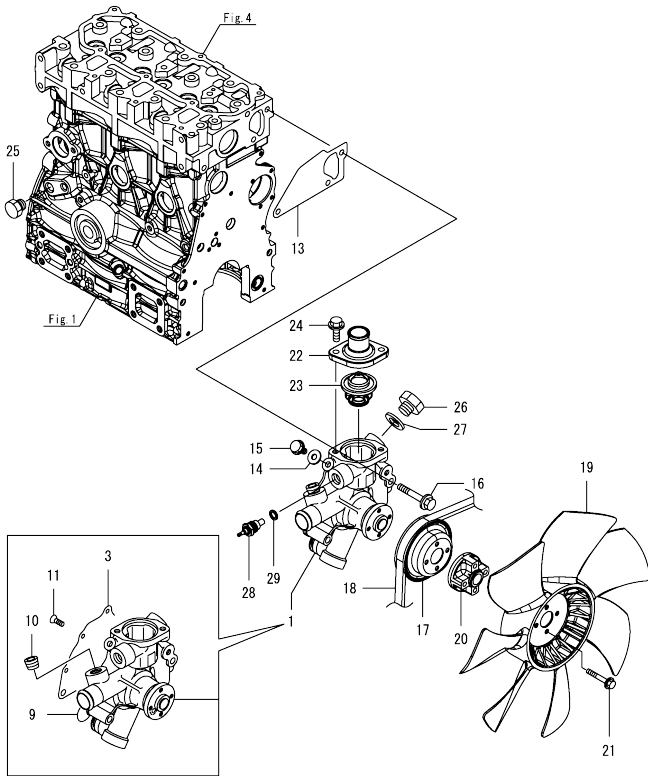
(D)=  
(E)=  
(F)=

No.	Lev.	Parts No.	Description	Q'ty						I	R
				(A)	(B)	(C)	(D)	(E)	(F)		
1	1	119E10-34800	DIPSTICK, LUB.OIL	1							
2	1	121520-34810	GUIDE, DIPSTICK	1							
3	1	119717-35140	STUD	1							
5	1	119717-32060	O-RING, P15.0	1							
6	1	119734-35090	PIPE ASSY, OIL INLET	1							
7	1	26106-060102	BOLT, M6X 10 PLATED	2							
8	1	114250-39450	SWITCH, HYDRAULIC	1							
9	1	119717-39210	PIPE, PUMP	1							
10	1	129005-59830	BOLT ASSY, JOINT M8	2							
11	2	22190-080002	WASHER, SEAL 8	2							
12	2	23857-030000	BOLT, JOINT 3	2							
13	1	22190-080002	WASHER, SEAL 8	2							
14	1	119305-35151	FILTER ASSY, D68XL65	1							1



Remarks  
(1)Spare parts.

Fig.9. COOLING WATER SYSTEM

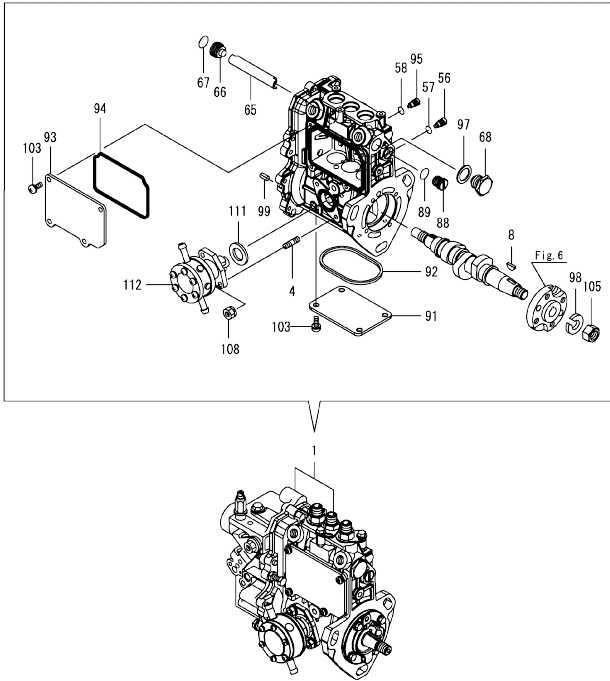


(A)=3TNV80F-NXDLST  
(B)=  
(C)=

(D)=  
(E)=  
(F)=

No.	Lev.	Parts No.	Description	Q'ty						I	R
				(A)	(B)	(C)	(D)	(E)	(F)		
1	1	119751-42004	PUMP ASSY, CW	1							
3	2	119751-42030	GASKET, WATER PUMP	1							
9	2	119C10-42320	O-RING, 2028	1							
10	2	129916-49740	PLUG, R3/8	1							
11	2	26577-060122	SCREW, M6X12	5							
13	1	119717-42020	GASKET, WATER PUMP	1							
14	1	23414-080000	GASKET, 8X1.0	1							
15	1	26106-080122	BOLT, M8X 12 PLATED	1							
16	1	26106-080502	BOLT, M8X 50 PLATED	3							
17	1	119717-42350	V-PULLEY, PUMP D=100	1							
18	1	25132-003700	V-BELT, A37	1							
19	1	119717-44740	FAN, COOLING D=335X7	1							
20	1	171353-44760	SPACER, FAN 25MM	1							
21	1	26106-060402	BOLT, M6X 40 PLATED	4							
22	1	129350-49530	COVER, THERMOSTAT	1							
23	1	119717-49800	THERMOSTAT, 71C	1							
24	1	26106-080202	BOLT, M8X 20 PLATED	2							
25	1	171056-49120	PLUG, DRAIN R1/4	1							
26	1	121450-42450	PLUG, M16	1							
27	1	124465-44950	GASKET, 16	1							
28	1	124250-49351	SENSOR, WATER TEMP.	1							
29	1	129150-49360	GASKET, 10	1							

Fig.10. FUEL INJECTION PUMP



(A)=3TNV80F-NXDLST  
(B)=  
(C)=

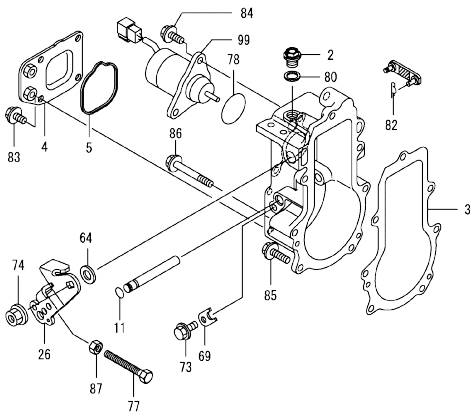
(D)=  
(E)=  
(F)=

No.	Lev.	Parts No.	Description	Q'ty						I	R
				(A)	(B)	(C)	(D)	(E)	(F)		
1	1	719E10-51370	FIE ASSY	1							1
4	2	129155-51020	STUD	2							
8	2	122710-51090	KEY, FEATHER	1							
56	2	158600-51270	STOPPER, TAPPET	3							
57	2	129155-51280	O-RING, S6	3							
58	2	129155-51280	O-RING, S6	1							
65	2	129155-51400	PROTECTOR	1							
66	2	158600-51410	PLUG, DEFLIFTER M12	1							
67	2	119717-51420	O-RING	1							
68	2	158600-51420	PLUG, DEFLIFTER M16	1							
88	2	158600-51570	PLUG, RACK	1							
89	2	129155-51580	O-RING	1							
91	2	129155-51701	COVER, PUMP BOTTOM	1							
92	2	119717-51711	GASKET, PUMP	1							
93	2	119717-51750	COVER, BODY SIDE	1							
94	2	119717-51761	GASKET, PUMP COVER	1							
95	2	158600-51790	STOPPER, RACK	1							
97	2	22190-160002	WASHER, SEAL 16	1							
98	2	22217-120000	WASHER, SPRING 12	1							
99	2	22351-050010	PIN, SPRING 5.0X10	2							
103	2	26022-050122	SCREW, M5X12	8							
105	2	26716-120002	NUT, M12	1							
108	2	119717-51860	NUT, M6	2							
111	2	129155-52051	GASKET, PUMP COVER	1							
112	2	129100-52101	PUMP ASSY, FUEL FEED	1							

Remarks

(1)Governor(Fig.11) is incorporated in this Fuel Injection Pump(No.1).

Fig.11. GOVERNOR



(A)=3TNV80F-NXDLST  
(B)=  
(C)=

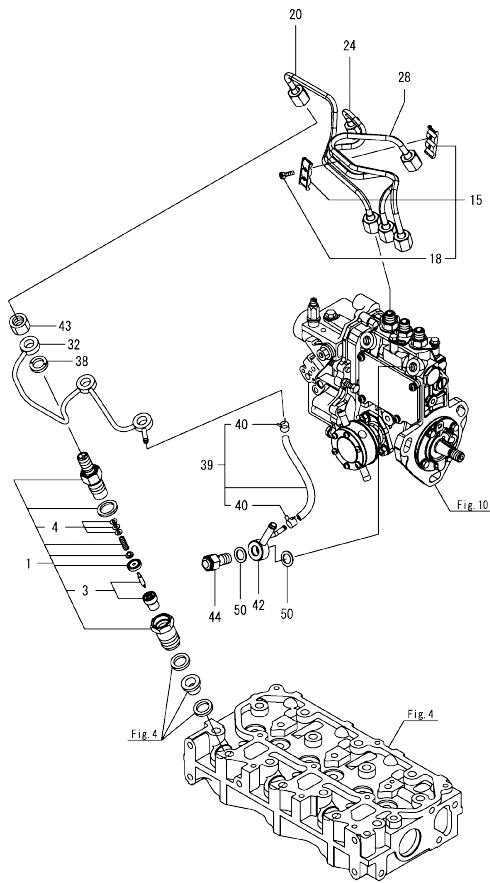
(D)=  
(E)=  
(F)=

No.	Lev.	Parts No.	Description	Q'ty						I	R
				(A)	(B)	(C)	(D)	(E)	(F)		
2	2	119717-51930	PLUG, M10	1							
3	2	119717-61050	GASKET, CASE	1							
4	2	119761-61060	COVER, GOVERNOR CASE	1							
5	2	119717-61070	GASKET, COVER	1							
11	3	129155-51280	O-RING, S6	1							
26	3	119515-61440	LEVER, CONTROL	1							
64	3	158552-61700	SHIM SET	1							
69	3	119660-61901	STOPPER, SHAFT	1							
73	3	26106-060102	BOLT, M6X 10 PLATED	1							
74	3	26366-080002	NUT, M8	1							
77	2	129155-61461	BOLT, IDLE LIMIT	1							
78	2	158552-61900	O-RING	1							
80	2	22190-100002	WASHER, SEAL 10	1							
82	2	22372-040000	PIN, SNAP 4	1							
83	2	26106-060102	BOLT, M6X 10 PLATED	4							
84	2	26106-060142	BOLT, M6X 14 PLATED	2							
85	2	26106-060202	BOLT, M6X 20 PLATED	4							
86	2	26106-060452	BOLT, M6X 45 PLATED	3							
87	2	119740-61470	NUT	1							
99	2	129630-77900	SOLENOID, STOP	1							

Remarks

\* This figure(Governor) is incorporated in the Fuel Injection Pump(Fig.10).

Fig.12. FUEL INJECTION VALVE



(A)=3TNV80F-NXDLST  
(B)=  
(C)=

(D)=  
(E)=  
(F)=

No.	Lev.	Parts No.	Description	Q'ty						I	R
				(A)	(B)	(C)	(D)	(E)	(F)		
1	1	119C10-53000	VALVE ASSY,INJECTION	3							
3	2	119C10-53010	VALVE ASSY,INJECTION	3							
4	2	129901-53800	SHIM SET, ADJUSTING	3							1
15	1	129150-59120	RETAINER, PIPE	1							
18	2	129150-59131	BOLT, M4X14	2							
20	1	119E10-59810	PIPE ASSY, INJECTION	1							
24	1	119E10-59820	PIPE, INJECTION NO.2	1							
28	1	119E10-59830	PIPE, INJECTION NO.3	1							
32	1	119717-59510	PIPE ASSY, RETURN	1							
38	1	129901-59560	GASKET, FUEL RETURN	3							
39	1	119540-59570	HOSE ASSY, RETURN	1							
40	2	124066-59100	CLAMP, HOSE 8	2							
42	1	119840-59570	JOINT, OVERFLOW	1							
43	1	119620-59700	NUT, NOZZLE RETURN	3							
44	1	119813-59950	VALVE ASSY, CHECK	1							
50	1	22190-120002	WASHER, SEAL 12	2							

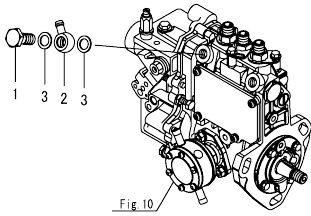
Remarks

(1)Spare parts.

OCD50-M04350 ENGINE

Fig.13. FUEL PIPE

OCD50-M04350 Fig.13



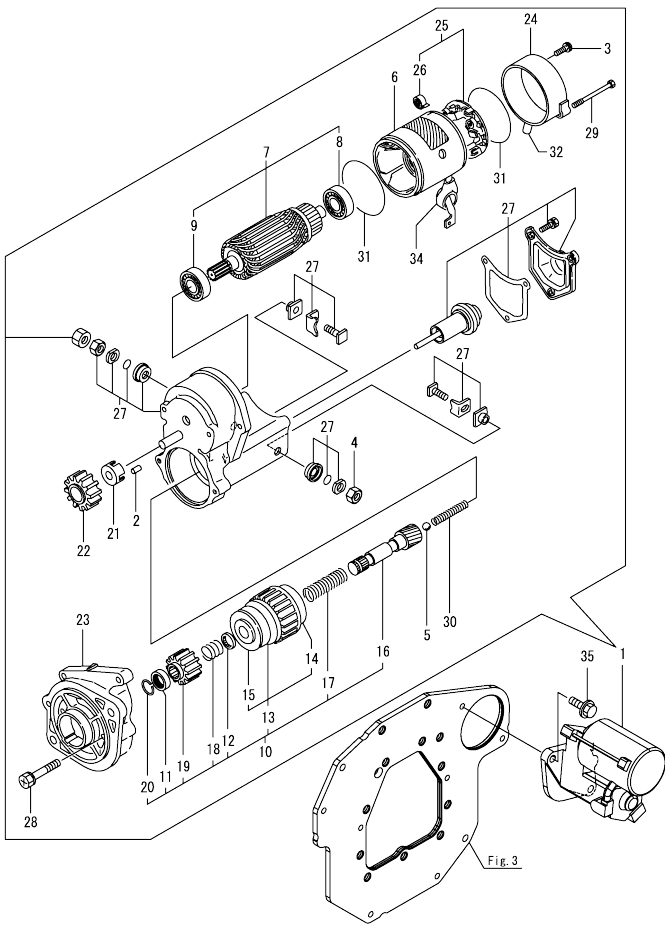
(A)=3TNV80F-NXDLST  
(B)=  
(C)=

(D)=  
(E)=  
(F)=

No.	Lev.	Parts No.	Description	Qty					
				(A)	(B)	(C)	(D)	(E)	(F)
1	1	103854-39140	BOLT, PIPE JOINT	1					
2	1	101304-59020	JOINT, PIPE 12	1					
3	1	22190-120002	WASHER, SEAL 12	2					



Fig.14. STARTER MOTOR

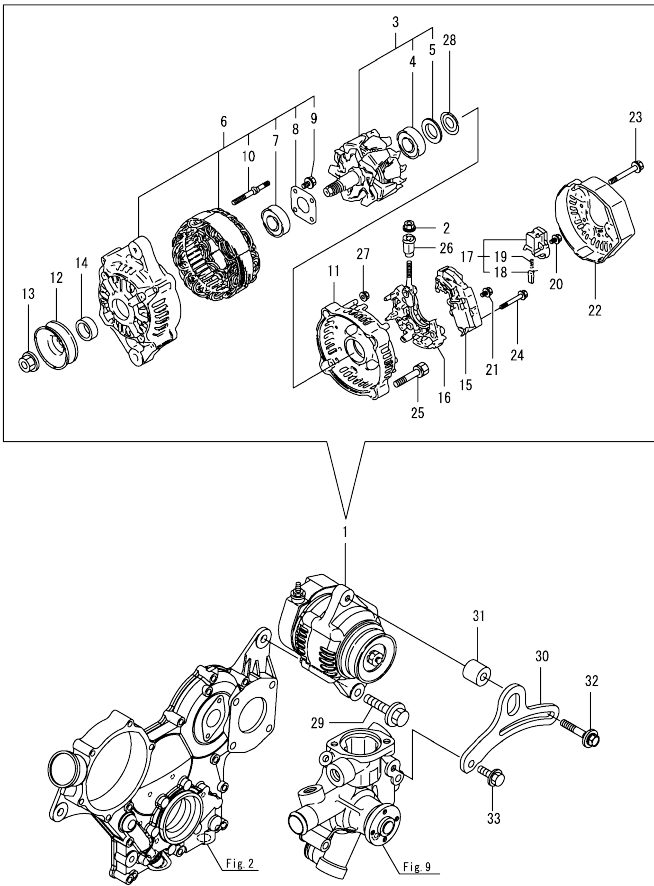


(A)=3TNV80F-NXDLST  
(B)=  
(C)=

(D)=  
(E)=  
(F)=

No.	Lev.	Parts No.	Description	Qty						I	R
				(A)	(B)	(C)	(D)	(E)	(F)		
1	1	119740-77020	STARTER, RA1.4	1							
2	2	X0283060061	ROLLER	5							
3	2	129129-77460	SCREW	2							
4	2	X9490561370	NUT	1							
5	2	X9491200240	BALL, STEEL	1							
6	2	129407-77210	YOKE ASSY	1							
7	2	129407-77220	ARMATURE ASSY	1							
8	3	129129-77230	BEARING, BALL	1							
9	3	129129-77240	BEARING, BALL	1							
10	2	X1280996680	STARTER KIT	1							
11	3	X0280210230	NUT, PINION STOP	1							
12	3	X0283270140	RETAINER, SNAP	1							
13	3	129129-77390	CLUTCH ASSY, STARTER	1							
14	4	129129-77440	BEARING, BALL	1							
15	4	129129-77450	BEARING, BALL	1							
16	3	129129-77400	SHAFT, STARTER	1							
17	3	129129-77410	SPRING, COIL	1							
18	3	129407-77410	SPRING, COIL	1							
19	3	X0283712350	PINION, STARTER	1							
20	3	129129-77430	RING, SNAP	1							
21	2	129129-77260	RETAINER	1							
22	2	129129-77270	PINION	1							
23	2	X4284003310	HOUSING	1							
24	2	129407-77290	FRAME	1							
25	2	129407-77300	HOLDER ASSY	1							
26	3	X9491730461	SPRING, BRUSH	4							
27	2	X1534004151	SWITCH ASSY	1							
28	2	129129-77320	BOLT, W/WASHER	2							
29	2	129407-77330	BOLT	2							
30	2	129129-77340	SPRING	1							
31	2	129129-77350	O-RING	2							
32	2	129129-77362	COVER	1							
34	2	129129-77380	CAP	1							
35	1	26106-100202	BOLT, M10X 20 PLATED	2							

Fig.15. GENERATOR

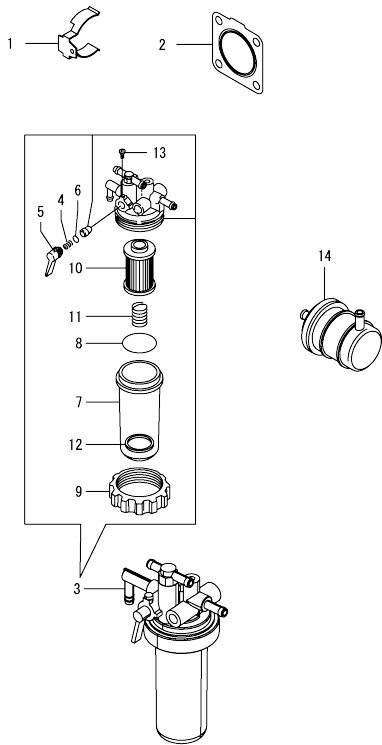


(A)=3TNV80F-NXDLST  
(B)=  
(C)=

(D)=  
(E)=  
(F)=

No.	Lev.	Parts No.	Description	Q'ty					
				(A)	(B)	(C)	(D)	(E)	(F)
1	1	129423-77210	ALTERNATOR, 12V-40A	1					
2	2	X9490561001	NUT	1					
3	2	119620-77380	ROTOR ASSY	1					
4	3	123501-79240	BEARING, BALL	1					
5	3	119620-79250	COVER, BEARING	1					
6	2	119620-77421	FRAME ASSY, DRIVE	1					
7	3	119620-79200	BEARING, BALL	1					
8	3	119620-79210	PLATE, RETAINER	1					
9	3	119620-79220	SCREW	4					
10	3	119620-79230	STUD	2					
11	2	119620-77440	FRAME ASSY, REAR	1					
12	2	119620-77461	PULLEY, GENERATOR	1					
13	2	119620-77471	NUT	1					
14	2	119620-77490	COLLAR	1					
15	2	129423-77720	REGULATOR ASSY	1					
16	2	119620-79260	HOLDER ASSY	1					
17	2	129052-79270	HOLDER ASSY, BRUSH	1					
18	3	119620-77480	BRUSH ASSY, SUB	2					
19	3	119620-79280	SPRING	2					
20	2	119620-79290	SCREW	6					
21	2	119620-79300	SCREW	1					
22	2	129240-79300	COVER	1					
23	2	119620-79310	BOLT	3					
24	2	119620-79320	SCREW, W/WASHER	2					
25	2	119620-79330	BOLT	2					
26	2	119620-79340	BUSH, INSULATION	1					
27	2	119620-79350	NUT	2					
28	2	119620-79360	WASHER, THRUST	1					
29	1	26106-100452	BOLT, M10X 45 PLATED	1					
30	1	119125-77320	ADJUSTER, BELT	1					
31	1	124732-77340	SPACER, ADJUSTER	1					
32	1	129972-77341	BOLT, ADJUSTER L=50	1					
33	1	26106-080202	BOLT, M8X 20 PLATED	1					

Fig.16. ACCESSORY



(A)=3TNV80F-NXDLST  
(B)=  
(C)=

(D)=  
(E)=  
(F)=

No.	Lev.	Parts No.	Description	Q'ty					
				(A)	(B)	(C)	(D)	(E)	(F)
1	1	198072-04320	CLAMP, FILTER	1					
2	1	119515-13200	GASKET, SILENCER	1					
3	1	119534-55602	FILTER ASSY, FUEL	1					
4	2	104200-55330	SPRING, FUEL VALVE	1					
5	2	119810-55340	LEVER, FUEL	1					
6	2	129053-55510	O-RING, P10A	1					
7	2	129107-55510	CUP, STRAINER	1					
8	2	129053-55520	O-RING, P44	1					
9	2	110250-55610	RING, CUP RETAINING	1					
10	2	129053-55670	ELEMENT, FO FILTER	1					
11	2	121257-55720	SPRING, ELEMENT	1					
12	2	121257-55731	FLOAT	1					
13	2	104200-55750	SCREW, M4	1					
14	1	129052-55630	FILTER, FUEL INLET	1					
15	1	26014-080702	BOLT, M8X 70	1					

## Parts No. Index

Parts No.	Fig. No.	Ref. No.	Parts No.	Fig. No.	Ref. No.	Parts No.	Fig. No.	Ref. No.	Parts No.	Fig. No.	Ref. No.
101304-59020	13	2	119660-01640	3	6	119717-51150	6	16	119E10-22300	7	22
103854-39140	13	1	119660-01911	2	18	119717-51420	10	67	119E10-22500	7	18
104200-55330	16	4	119660-61901	11	69	119717-51711	10	92	119E10-22550	7	34
104200-55750	16	13	119717-01570	2	2	119717-51750	10	93	119E10-23001	7	24
105010-11490	4	3	119717-01720	3	10	119717-51761	10	94	119E10-34800	8	1
105311-01090	1	4	119717-01750	2	17	119717-51860	10	108	119E10-59810	12	20
110250-55610	16	9	119717-01800	2	7	119717-51930	11	2	119E10-59820	12	24
114250-39450	8	8	119717-02411	1	10	119717-59510	12	32	119E10-59830	12	28
119027-01650	3	12	119717-02930	1	23	119717-61050	11	3	119E11-22080	7	16
119125-77320	15	30	119717-03031	4	36	119717-61070	11	5	119E11-22900	7	33
119131-18320	5	6	119717-03070	4	37	119717-77801	4	56	121023-01551	2	42
119226-07900	4	54			119717-77820	4	57	121111-21501	7	7	
119285-01990	1	6	119717-11131	4	15	119718-11310	4	45	121257-55720	16	11
119285-11990	4	11	119717-11190	4	17	119734-01790	3	11	121257-55731	16	12
119305-35151	8	14	119717-11200	4	21	119734-35090	8	6	121450-42450	9	26
119515-13200	16	2	119717-11240	4	22	119740-01501	2	1	121520-34810	8	2
119515-61440	11	26	119717-11260	4	25	119740-13100	5	1	121850-51960	2	21
119534-55602	16	3	119717-11320	4	46	119740-61470	11	87	122710-51090	10	8
119540-59570	12	39	119717-11331	4	47	119740-77020	14	1	123501-79240	15	4
119600-11460	4	2	119717-11340	4	18	119751-01521	2	5	124060-01050	1	11
119620-01620	3	5	119717-11350	4	19	119751-01590	2	3	124066-59100	12	40
119620-02020	1	7	119717-11381	4	35	119751-42004	9	1	124085-02220	3	8
119620-11280	4	26	119717-11650	4	27	119751-42030	9	3	124160-01751	2	29
119620-14200	6	1	119717-11800	4	58	119761-61060	11	4		4	34
119620-59700	12	43	119717-13110	5	2	119802-03100	4	39	124160-01910	1	12
119620-77380	15	3	119717-13600	5	3	119802-03110	4	40	124240-01871	2	31
119620-77421	15	6	119717-14400	6	2	119802-03121	4	41			35
119620-77440	15	11	119717-14581	6	3	119802-03131	4	42	124250-49351	9	28
119620-77461	15	12	119717-21200	7	4	119802-03141	4	43	124465-44950	9	27
119620-77471	15	13	119717-23200	7	27	119802-32130	2	16	124732-77340	15	31
119620-77480	15	18	119717-23601	7	28	119810-01200	1	26	129001-32320	2	12
119620-77490	15	14	119717-23611	7	31	119810-02941	1	35	129001-32330	2	13
119620-79200	15	7	119717-23911	7	30	119810-55340	16	5	129005-59830	8	10
119620-79210	15	8	119717-25050	6	9	119813-59950	12	44	129052-55630	16	14
119620-79220	15	9	119717-25101	6	10	119840-59570	12	42	129052-79270	15	17
119620-79230	15	10	119717-25911	6	21	119865-21600	7	10	129053-55510	16	6
119620-79250	15	5	119717-25930	6	15	119C10-21931	7	13	129053-55520	16	8
119620-79260	15	16	119717-26000	6	17	119C10-21940	7	14	129053-55670	16	10
119620-79280	15	19	119717-32050	2	20	119C10-42320	9	9	129100-01580	1	28
119620-79290	15	20	119717-32060	8	5	119C10-53000	12	1		3	1
119620-79300	15	21	119717-32080	2	10	119C10-53010	12	3		7	2
119620-79310	15	23	119717-32100	2	9	119E00-01560	1	1	129100-52101	10	112
119620-79320	15	24	119717-32110	2	14	119E10-01330	1	27	129107-55510	16	7
119620-79330	15	25	119717-32120	2	15	119E10-01600	3	2	129129-77230	14	8
119620-79340	15	26	119717-35140	8	3	119E10-11100	4	13	129129-77240	14	9
119620-79350	15	27	119717-39210	8	9	119E10-11110	4	14	129129-77260	14	21
119620-79360	15	28	119717-42020	9	13	119E10-11750	4	4	129129-77270	14	22
119621-21681	7	12	119717-42350	9	17	119E10-21590	7	8	129129-77320	14	28
119623-01250	1	5	119717-44740	9	19	119E10-21650	7	11	129129-77340	14	30
119624-32040	2	19	119717-49800	9	23	119E10-21700	7	1	129129-77350	14	31

## Parts No. Index

Parts No.	Fig. No.	Ref. No.
129129-77362	14	32
129129-77380	14	34
129129-77390	14	13
129129-77400	14	16
129129-77410	14	17
129129-77430	14	20
129129-77440	14	14
129129-77450	14	15
129129-77460	14	3
129150-11230	4	28
129150-11750	4	30
129150-25301	6	14
129150-49360	9	29
129150-59120	12	15
129150-59131	12	18
129155-51020	10	4
129155-51280	10	57
		58
	11	11
129155-51400	10	65
129155-51580	10	89
129155-51701	10	91
129155-52051	10	111
129155-61461	11	77
129240-79300	15	22
129350-26490	6	19
129350-49530	9	22
129407-77210	14	6
129407-77220	14	7
129407-77290	14	24
129407-77300	14	25
129407-77330	14	29
129407-77410	14	18
129423-77210	15	1
129423-77720	15	15
129508-11180	4	16
129630-77900	11	99
129900-32130	2	11
129901-11450	4	1
129901-53800	12	4
129901-59560	12	38
129916-49740	9	10
129972-77341	15	32
129C26-01890	2	32
		36
129E00-13610	5	4
129E00-13630	5	5
158552-61700	11	64
158552-61900	11	78
158600-51270	10	56

Parts No.	Fig. No.	Ref. No.
158600-51410	10	66
158600-51420	10	68
158600-51570	10	88
158600-51790	10	95
171056-49120	9	25
171353-44760	9	20
198072-04320	16	1
22190-080002	2	33
		37
	8	11
		13
22190-100002	11	80
22190-120002	12	50
	13	3
22190-160002	3	14
	10	97
22217-120000	10	98
22242-000120	4	31
22252-000220	7	23
22351-050010	10	99
22351-060012	4	20
22372-040000	11	82
22512-040120	7	5
		15
22857-500100	4	48
		49
22857-500160	4	50
23414-080000	9	14
23857-030000	8	12
23876-005000	4	12
23876-030000	2	6
24101-062024	2	8
24104-060054	6	20
24311-000320	2	30
	4	51
24341-000240	2	43
25132-003700	9	18
26014-080702	16	15
26022-050122	10	103
26106-060102	8	7
	11	73
		83
26106-060122	2	22
	6	8
26106-060142	11	84
26106-060162	2	23
		44
26106-060202	4	52
	11	85
26106-060222	3	9

Parts No.	Fig. No.	Ref. No.
26106-060352	6	13
26106-060402	2	24
		25
	9	21
26106-060452	11	86
26106-060602	2	26
26106-060652	2	27
26106-060752	4	53
26106-080122	2	34
	3	15
	9	15
26106-080142	2	38
26106-080162	4	55
26106-080202	9	24
	15	33
26106-080302	3	16
26106-080402	4	33
26106-080452	3	17
26106-080502	3	18
	9	16
26106-080702	2	39
26106-100202	14	35
26106-100452	15	29
26206-100202	3	3
26206-100252	3	4
26306-080002	2	28
		40
		41
	5	7
26366-080002	11	74
26577-060122	9	11
26716-120002	10	105
26979-050162	4	32
27241-120000	1	13
719717-02901	1	29
719717-02911	1	32
719751-01500	2	4
719E10-51370	10	1
X0280210230	14	11
X0283060061	14	2
X0283270140	14	12
X0283712350	14	19
X1280996680	14	10
X1534004151	14	27
X4284003310	14	23
X9490561001	15	2
X9490561370	14	4
X9491200240	14	5
X9491730461	14	26

Parts No.	Fig. No.	Ref. No.
-----------	----------	----------