

0CD50-M05670EN

P R E F A C E

This parts catalog is the 1st edition of 3TNV80F-SPTB for TAKEUCHI MFG. CO.,LTD.

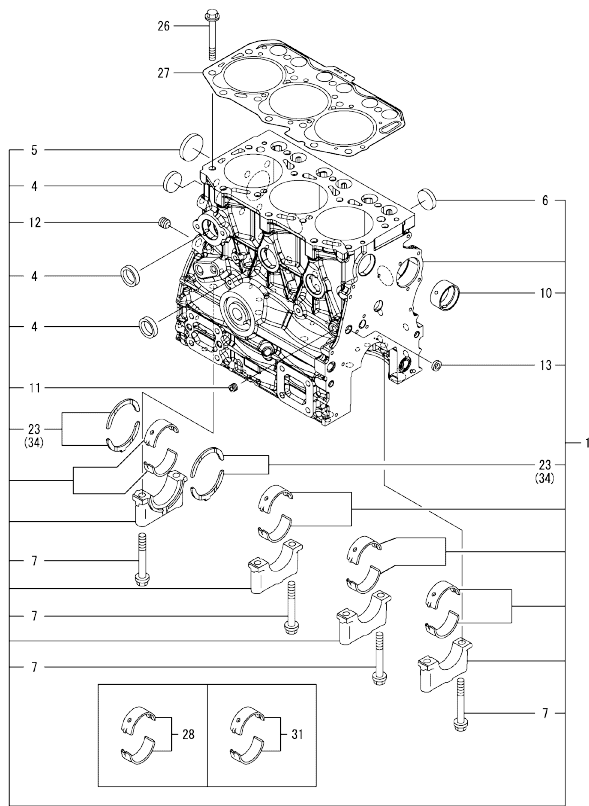
Published : January, 2020

Contents

OCD50-M05670

Fig. No.	Fig. Name	Fig. No.	Fig. Name
ENGINE			
1.	CYLINDER BLOCK		
2.	GEAR HOUSING		
3.	FLYWHEEL HOUSING & OIL SUMP		
4.	CYLINDER HEAD & BONNET		
5.	EXHAUST MANIFOLD & SILENCER		
6.	CAMSHAFT & DRIVING GEAR		
7.	CRANKSHAFT & PISTON		
8.	HYDRAULIC PUMP		
9.	LUB. OIL SYSTEM		
10.	COOLING WATER SYSTEM		
11.	FUEL INJECTION PUMP		
12.	GOVERNOR		
13.	FUEL INJECTION VALVE		
14.	STARTER MOTOR		
15.	GENERATOR		
16.	ACCESSORY		
17.	GASKET SET		

Fig.1. CYLINDER BLOCK



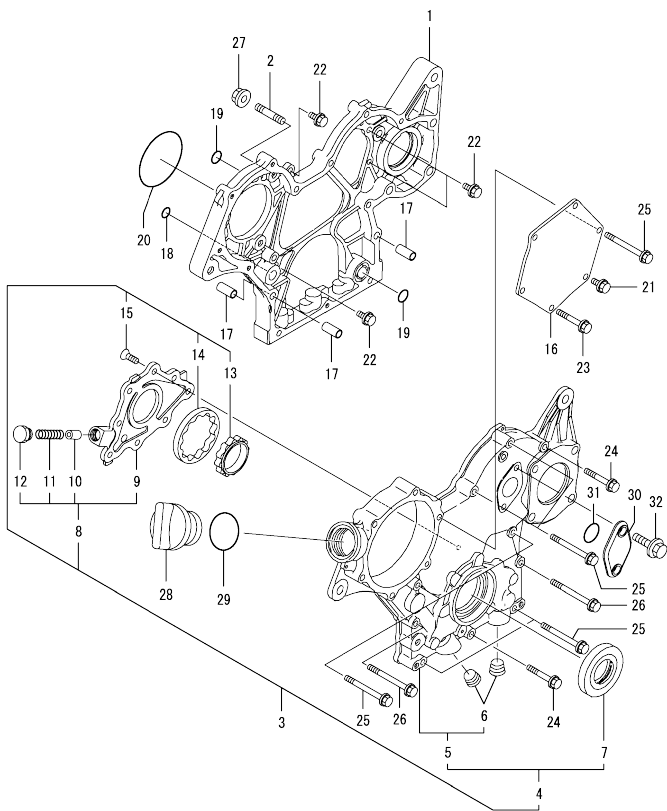
(A)=3TNV80F-SPTB
(B)=
(C)=

(D)=
(E)=
(F)=

No.	Lev.	Parts No.	Description	Q'ty						I	R
				(A)	(B)	(C)	(D)	(E)	(F)		
1	1	119E00-01560	BLOCK ASSY, CYLINDER	1							
4	2	105311-01090	PLUG, 30	4							
5	2	119623-01250	PLUG, 45	1							
6	2	119285-01990	PLUG, 25	3							
7	2	119620-02020	BOLT, METAL CAP	8							
10	2	119717-02411	BUSH, CAMSHAFT	1							
11	2	124060-01050	PLUG, PT1/8	1							
12	2	124160-01910	PLUG, PT1/4	1							
13	2	27241-120000	PLUG, 12	1							
23	2	119717-02930	METAL ASSY, THRUST	2							
26	1	119810-01200	BOLT, CYLINDER HEAD	14							
27	1	119E10-01330	GASKET SET, HEAD	1							
28	1	719717-02901	METAL ASSY, MAIN	4							1
31	1	719717-02911	METAL ASSY, MAIN .25	4							2
34	1	119810-02941	METAL ASSY, 0.25 OS	2							3

Remarks
(1)Spare parts.
(2)Under-sized(U.S.=0.25) parts.
(3)Over-sized(O.S.=0.25) parts.

Fig.2. GEAR HOUSING

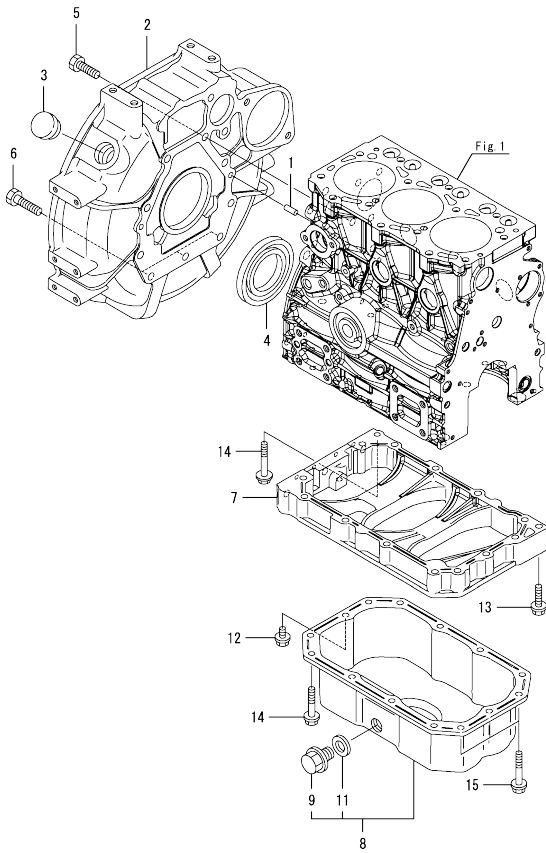


(A)=3TNV80F-SPTB
(B)=
(C)=

(D)=
(E)=
(F)=

No.	Lev.	Parts No.	Description	Qty						I	R
				(A)	(B)	(C)	(D)	(E)	(F)		
1	1	119740-01501	CASE, GEAR	1							
2	1	119717-01570	STUD	3							
3	1	119740-01580	COVER ASSY, CASE	1							
4	2	719740-01510	COVER ASSY, CASE	1							
5	3	119740-01521	COVER, GEAR CASE	1							
6	4	23876-030000	PLUG, R03	2							
7	3	119717-01800	SEAL, OIL	1							
8	2	119717-32100	COVER ASSY, PUMP	1							
9	3	119717-32080	COVER, OIL PUMP	1							
10	3	129900-32130	VALVE, RELIEF	1							
11	3	129001-32320	SPRING	1							
12	3	129001-32330	PLUG	1							
13	2	119717-32110	ROTOR, INNER	1							
14	2	119717-32120	ROTOR, OUTER	1							
15	2	119802-32130	SCREW, M6X16	8							
16	1	119717-01750	COVER, PUMP	1							
17	1	119660-01911	PIPE, KNOCK 6X17	4							
18	1	119624-32040	O-RING, P12.0	1							
19	1	119717-32050	O-RING, P17.0	3							
20	1	121850-51960	O-RING, FUEL PUMP	1							
21	1	26106-060122	BOLT, M6X 12 PLATED	1							
22	1	26106-060162	BOLT, M6X 16 PLATED	4							
23	1	26106-060402	BOLT, M6X 40 PLATED	4							
24	1	26106-060402	BOLT, M6X 40 PLATED	2							
25	1	26106-060602	BOLT, M6X 60 PLATED	7							
26	1	26106-060652	BOLT, M6X 65 PLATED	2							
27	1	26306-080002	NUT, M8	3							
28	1	124160-01751	CAP, FILLER	1							
29	1	24311-000320	O-RING, 1AP32.0	1							
30	1	121023-01551	COVER, TACHOMETER	1							
31	1	24341-000240	O-RING, 1AS24.0	1							
32	1	26106-060162	BOLT, M6X 16 PLATED	2							

Fig.3. FLYWHEEL HOUSING & OIL SUMP

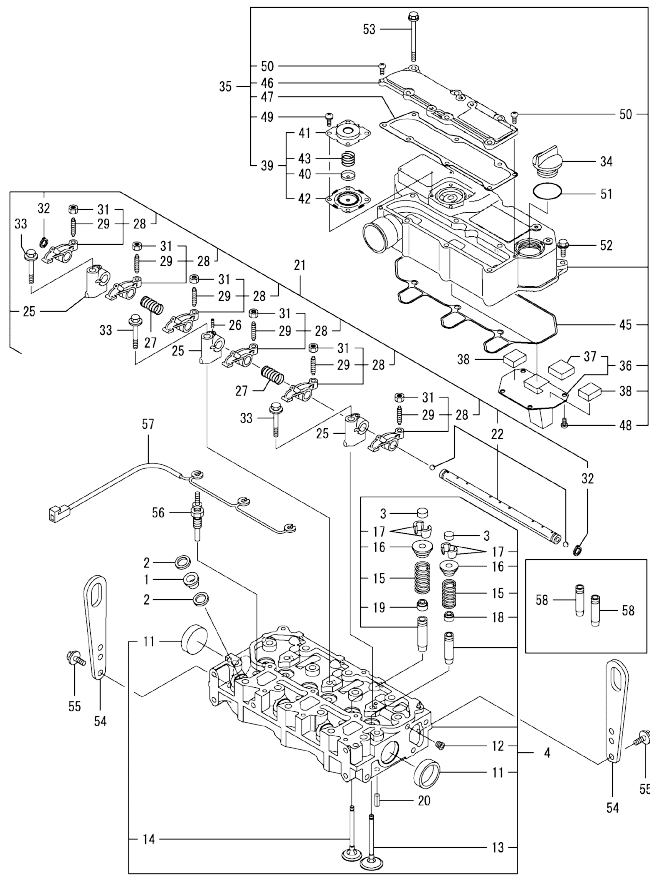


(A)=3TNV80F-SPTB
(B)=
(C)=

(D)=
(E)=
(F)=

No.	Lev.	Parts No.	Description	Q'ty						I	R
				(A)	(B)	(C)	(D)	(E)	(F)		
1	1	129100-01580	PIN, PARALLEL 8X16		2						
2	1	119717-01601	HOUSING, FLYWHEEL	1							
3	1	119620-01750	CAP, WHEEL COVER	1							
4	1	119734-02220	SEAL, OIL WHEEL SIDE	1							
5	1	26206-100252	BOLT, M10X 25 PLATED	8							
6	1	26206-100302	BOLT, M10X 30 PLATED	3							
7	1	119717-01720	SPACER, OIL PAN	1							
8	1	119717-01770	OIL PAN ASSY	1							
9	2	105425-01690	PLUG, DRAIN M16	1							
11	2	22190-160002	WASHER, SEAL 16	1							
12	1	26106-080122	BOLT, M8X 12 PLATED	1							
13	1	26106-080302	BOLT, M8X 30 PLATED	1							
14	1	26106-080452	BOLT, M8X 45 PLATED	11							
15	1	26106-080502	BOLT, M8X 50 PLATED	3							

Fig.4. CYLINDER HEAD & BONNET

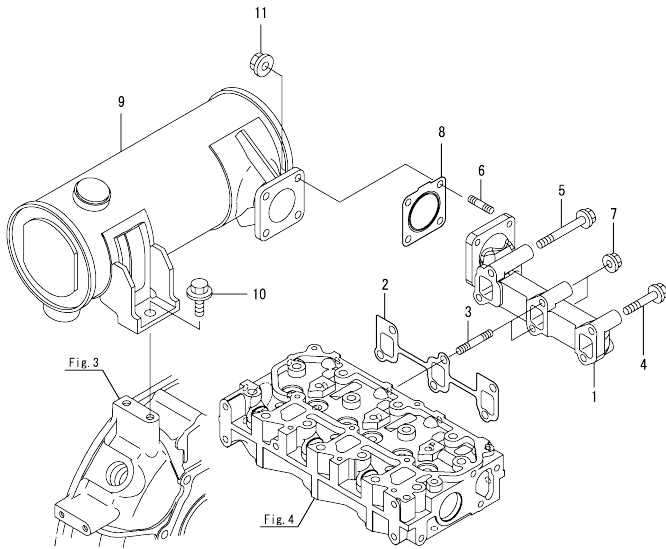


No.	Lev.	Parts No.	Description	Q'ty						I	R
				(A)	(B)	(C)	(D)	(E)	(F)		
1	1	129901-11450	PROTECTOR, NOZZLE	3							
2	1	119600-11460	GASKET, NOZZLE	6							
3	1	105010-11490	CAP, VALVE	6							
4	1	119E10-11740	HEAD ASSY, CYLINDER	1							
11	2	119285-11990	PLUG, 35	2							
12	2	23876-005000	PLUG, R005	1							
13	2	119E10-11100	VALVE, INTAKE	3							
14	2	119E10-11110	VALVE, EXHAUST	3							
15	2	119717-11131	SPRING, VALVE	6							
16	2	129508-11180	RETAINER, SPRING	6							
17	2	119717-11190	COTTER, VALVE	12							
18	2	119717-11340	SEAL, VALVE STEM	3							
19	2	119717-11350	SEAL, VALVE STEM	3							
20	1	22351-060012	PIN, SPRING 6.0X12	2							
21	1	119717-11200	SUPPORT ASSY, ROCKER	1							
22	2	119717-11240	SHAFT ASSY, ARM	1							
25	2	119717-11260	SUPPORT, ROCKER ARM	3							
26	2	119260-11270	SCREW	1							
27	2	119620-11280	SPRING, SHAFT	2							
28	2	119717-11650	ARM ASSY, ROCKER INT	6							
29	3	129150-11230	SCREW, VALVE ADJUST	6							
31	3	129150-11750	NUT, M8XP1.0	6							
32	2	22242-000120	RING, 12	2							
33	1	26106-080402	BOLT, M8X 40 PLATED	3							
34	1	124160-01751	CAP, FILLER	1							
35	1	119717-11381	BONNET ASSY, HEAD	1							
36	2	119717-03031	PLATE, BAFFLE	1							
37	3	119717-03070	BAFFLE, BREATHER	1							
38	2	119717-03070	BAFFLE, BREATHER	2							
39	2	119802-03100	DIAPHRAGM ASSY	1							
40	3	119802-03110	PLATE, DIAPHRAGM	1							
41	3	119802-03121	COVER, DIAPHRAGM	1							
42	3	119802-03131	DIAPHRAGM, BREATHER	1							
43	3	119802-03141	SPRING, DIAPHRAGM	1							
45	2	119718-11310	GASKET, BONNET	1							
46	2	119717-11320	COVER, BONNET	1							
47	2	119717-11331	GASKET, BONNET COVER	1							
48	2	22857-500100	SCREW, 5X10	4							
49	2	22857-500100	SCREW, 5X10	4							
50	2	22857-500160	SCREW, 5X16	2							
51	1	24311-000320	O-RING, 1AP32.0	1							
52	1	26106-060202	BOLT, M6X 20 PLATED	3							
53	1	26106-060752	BOLT, M6X 75 PLATED	6							
54	1	129900-07900	LIFTER, ENGINE	2							
55	1	26106-080162	BOLT, M8X 16 PLATED	4							
56	1	119717-77801	PLUG, GLOW	3							
57	1	119717-77820	CONNECTOR, GLOW PLUG	1							
58	1	119717-11800	GUIDE, VALVE	6							1

Remarks
(1)Spare parts.

N:Old $\frac{100}{100}$ New, Q:Old $\frac{100}{100}$ New, R:Old $\frac{100}{100}$ New, S:Old $\frac{100}{100}$ New, W:Add, Z:Discontinued, F:Interchangeable by set, K:Q'ty Change
Copyright (C) 2020 YANMAR CO., LTD. All Rights Reserved.

Fig.5. EXHAUST MANIFOLD & SILENCER



(A)=3TNV80F-SPTB
(B)=
(C)=

(D)=
(E)=
(F)=

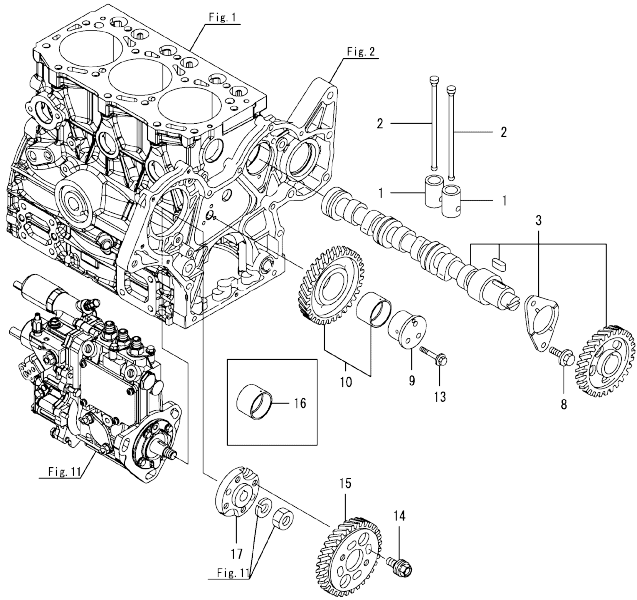
No.	Lev.	Parts No.	Description	Q'ty						I	R
				(A)	(B)	(C)	(D)	(E)	(F)		
1	1	119740-13100	MANIFOLD, EXHAUST	1							
2	1	119717-13110	GASKET, MANIFOLD	1							
3	1	119717-13600	STUD, M8X50	2							
4	1	129E00-13610	BOLT, M8X50 10.9	2							
5	1	129E00-13630	BOLT, M8X71 10.9T	2							
6	1	119131-18320	STUD, M8X22	4							
7	1	26306-080002	NUT, M8	2							
8	1	119515-13200	GASKET, SILENCER	1							
9	1	119740-13500	SILENCER	1							
10	1	26106-100162	BOLT, M10X 16 PLATED	1							
11	1	26306-080002	NUT, M8	4							

Fig.6. CAMSHAFT & DRIVING GEAR

(A)=3TNV80F-SPTB
(B)=
(C)=

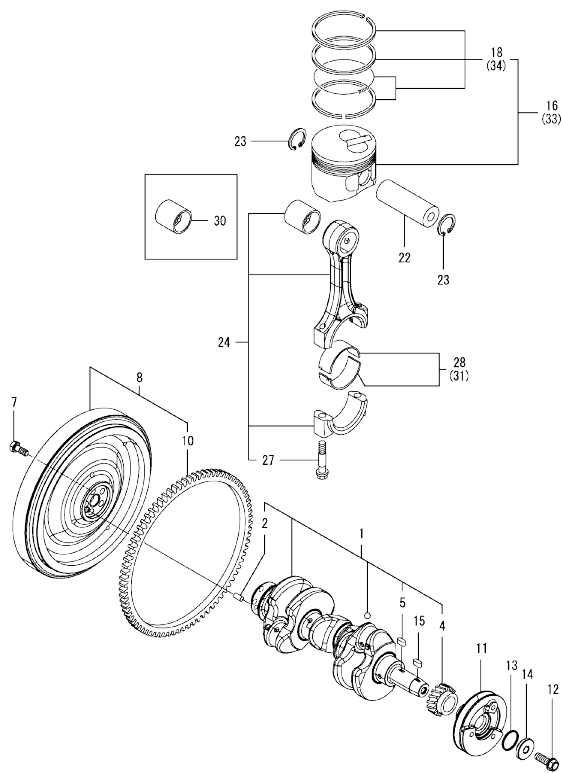
(D)=
(E)=
(F)=

No.	Lev.	Parts No.	Description	Q'ty						I	R
				(A)	(B)	(C)	(D)	(E)	(F)		
1	1	119620-14200	TAPPET	6							
2	1	119717-14400	ROD, PUSH	6							
3	1	119717-14581	CAMSHAFT ASSY	1							
8	1	26106-060122	BOLT, M6X 12 PLATED	2							
9	1	119717-25050	SHAFT, IDLE GEAR	1							
10	1	119717-25101	GEAR ASSY, IDLE	1							
13	1	26106-060352	BOLT, M6X 35 PLATED	3							
14	1	129150-25301	BOLT, INJECTION PUMP	4							
15	1	119717-25930	GEAR, PUMP	1							
16	1	119717-25911	BUSH, IDLE GEAR	1							1
17	1	119717-51150	FLANGE, CAMSHAFT	1							



Remarks
(1)Spare parts.

Fig.7. CRANKSHAFT & PISTON



(A)=3TNV80F-SPTB
(B)=
(C)=

(D)=
(E)=
(F)=

No.	Lev.	Parts No.	Description	Q'ty						I	R
				(A)	(B)	(C)	(D)	(E)	(F)		
1	1	119E10-21700	CRANKSHAFT ASSY	1							
2	2	129100-01580	PIN, PARALLEL 8X16	1							
4	2	119717-21200	GEAR, CRANKSHAFT	1							
5	2	22512-040120	KEY, 4X 12	1							
7	1	119620-21500	BOLT, FLYWHEEL	5							
8	1	119E44-21610	FLYWHEEL ASSY	1							
10	2	119865-21600	GEAR, RING Z=116	1							
11	1	119C10-21650	V-PULLEY, CRANKSHAFT	1							
12	1	119621-21681	BOLT, FLANGE 12X1.25	1							
13	1	119C10-21931	PACKING, WASHER	1							
14	1	119C10-21940	WASHER, V-PULLEY	1							
15	1	22512-040120	KEY, 4X 12	1							
16	1	119E11-22080	PISTON ASSY	3							
18	2	119E10-22500	RING SET, PISTON	3							
22	1	119E10-22300	PIN, PISTON	3							
23	1	22252-000220	RING, 22	6							
24	1	119E10-23001	ROD ASSY, CONNECTING	3							
27	2	119717-23200	BOLT, CONNECTING ROD	6							
28	1	119717-23601	METAL ASSY, CRANK PIN	3							
30	1	119717-23911	BUSH, PISTON PIN	3							1
31	1	119717-23611	METAL ASSY, PIN .25	3							2
33	1	119E11-22900	PISTON ASSY, 0.25 OS	3							3
34	2	119E10-22550	RING SET, PISTON .25	3							3

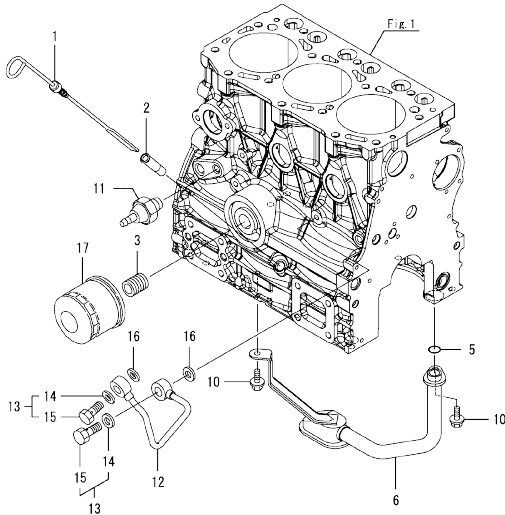
Remarks

- (1) Spare parts.
- (2) Under-sized (U.S.=0.25) parts.
- (3) Over-sized (O.S.=0.25) parts.

OCD50-M05670 ENGINE

Fig.9. LUB. OIL SYSTEM

OCD50-M05670 Fig.9



(A)=3TNV80F-SPTB
(B)=
(C)=

(D)=
(E)=
(F)=

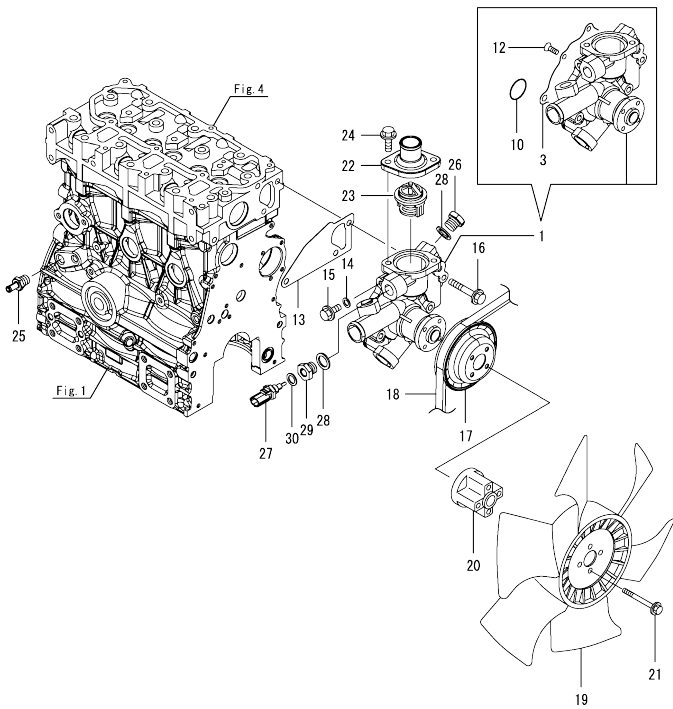
No.	Lev.	Parts No.	Description	Q'ty						I	R
				(A)	(B)	(C)	(D)	(E)	(F)		
1	1	119717-34801	DIPSTICK, OIL	1							
2	1	121520-34810	GUIDE, DIPSTICK	1							
3	1	119717-35140	STUD	1							
5	1	119717-32060	O-RING, P15.0	1							
6	1	119717-35080	PIPE ASSY, OIL INLET	1							
10	1	26106-060102	BOLT, M6X 10 PLATED	2							
11	1	114250-39450	SWITCH, HYDRAULIC	1							
12	1	119717-39210	PIPE, PUMP	1							
13	1	129005-59830	BOLT ASSY, JOINT M8	2							
14	2	22190-080002	WASHER, SEAL 8	2							
15	2	23857-030000	BOLT, JOINT 3	2							
16	1	22190-080002	WASHER, SEAL 8	2							
17	1	119305-35151	FILTER ASSY, D68XL65	1							1

Remarks

(1)Spare parts.

N:Old $\frac{100}{100}$ New, Q:Old $\frac{100}{100}$ New, R:Old $\frac{100}{100}$ New, S:Old $\frac{100}{100}$ New, W:Add, Z:Discontinued, F:Interchangeable by set, K:Q'ty Change
Copyright (C) 2020 YANMAR CO., LTD. All Rights Reserved.

Fig.10. COOLING WATER SYSTEM

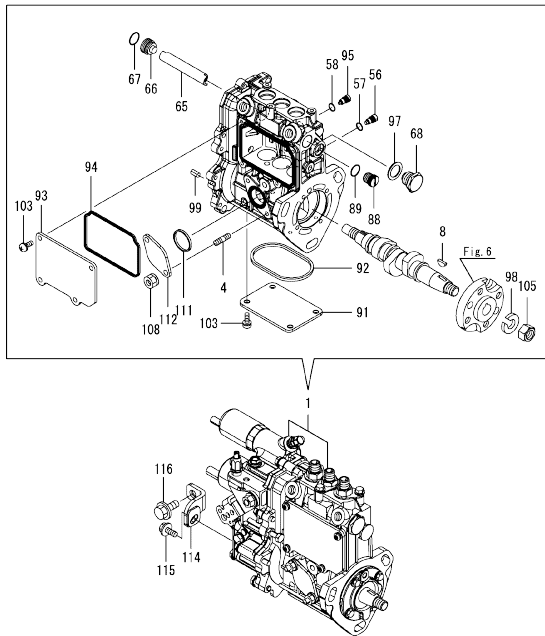


(A)=3TNV80F-SPTB
(B)=
(C)=

(D)=
(E)=
(F)=

No.	Lev.	Parts No.	Description	Q'ty						I	R
				(A)	(B)	(C)	(D)	(E)	(F)		
1	1	119E10-42001	PUMP ASSY, CW	1							
3	2	119717-42031	GASKET, WATER PUMP	1							
10	2	119C10-42320	O-RING, 2028	1							
12	2	26577-060122	SCREW, M6X12	4							
13	1	119717-42020	GASKET, WATER PUMP	1							
14	1	23414-080000	GASKET, 8X1.0	1							
15	1	26106-080122	BOLT, M8X 12 PLATED	1							
16	1	26106-080502	BOLT, M8X 50 PLATED	3							
17	1	119717-42350	V-PULLEY, PUMP D=100	1							
18	1	25152-003700	V-BELT, A37	1							
19	1	171340-44740	FAN, COOLING D335XNF	1							
20	1	119256-44760	SPACER, FAN	1							
21	1	26106-060602	BOLT, M6X 60 PLATED	4							
22	1	129350-49530	COVER, THERMOSTAT	1							
23	1	119718-49800	THERMOSTAT, 82C	1							
24	1	26106-080202	BOLT, M8X 20 PLATED	2							
25	1	121550-49111	JOINT, PT1/4	1							
26	1	121450-42450	PLUG, M16	1							
27	1	129927-44900	SENSOR, TEMPERATURE	1							
28	1	124465-44950	GASKET, 16	2							
29	1	129974-49350	JOINT, SENSOR	1							
30	1	22190-120002	WASHER, SEAL 12	1							

Fig.11. FUEL INJECTION PUMP



(A)=3TNV80F-SPTB
(B)=
(C)=

(D)=
(E)=
(F)=

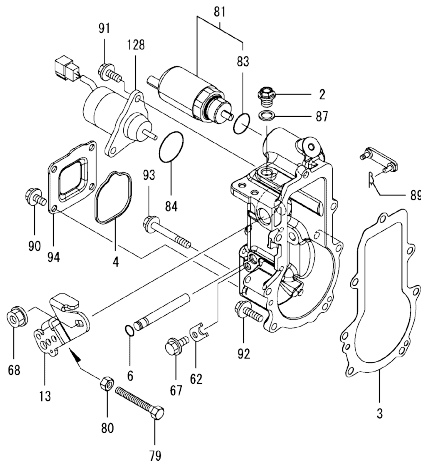
No.	Lev.	Parts No.	Description	Q'ty						I	R
				(A)	(B)	(C)	(D)	(E)	(F)		
1	1	719E44-51340	FIE ASSY	1							1
4	2	129155-51020	STUD	2							
8	2	122710-51090	KEY, FEATHER	1							
56	2	158600-51270	STOPPER, TAPPET	3							
57	2	129155-51280	O-RING, S6	3							
58	2	129155-51280	O-RING, S6	1							
65	2	129155-51400	PROTECTOR	1							
66	2	158600-51410	PLUG, DEFLIFTER M12	1							
67	2	119717-51420	O-RING	1							
68	2	158600-51420	PLUG, DEFLIFTER M16	1							
88	2	158600-51570	PLUG, RACK	1							
89	2	129155-51580	O-RING	1							
91	2	129155-51701	COVER, PUMP BOTTOM	1							
92	2	119717-51711	GASKET, PUMP	1							
93	2	119717-51750	COVER, BODY SIDE	1							
94	2	119717-51761	GASKET, PUMP COVER	1							
95	2	158600-51790	STOPPER, RACK	1							
97	2	22190-160002	WASHER, SEAL 16	1							
98	2	22217-120000	WASHER, SPRING 12	1							
99	2	22351-050010	PIN, SPRING 5.0X10	2							
103	2	26022-050122	SCREW, M5X12	8							
105	2	26716-120002	NUT, M12	1							
108	2	119717-51860	NUT, M6	2							
111	2	129155-52051	GASKET, PUMP COVER	1							
112	2	129100-52200	COVER, FEED PUMP	1							
114	1	119E10-51250	SUPPORT	1							
115	1	26106-060162	BOLT, M6X 16 PLATED	1							
116	1	26106-080162	BOLT, M8X 16 PLATED	1							

Remarks

(1)Governor(Fig.12) is incorporated in this Fuel Injection Pump(No.1).

OCD50-M05670 ENGINE
 Fig.12. GOVERNOR

OCD50-M05670 Fig.12



(A)=3TNV80F-SPTB
 (B)=
 (C)=

(D)=
 (E)=
 (F)=

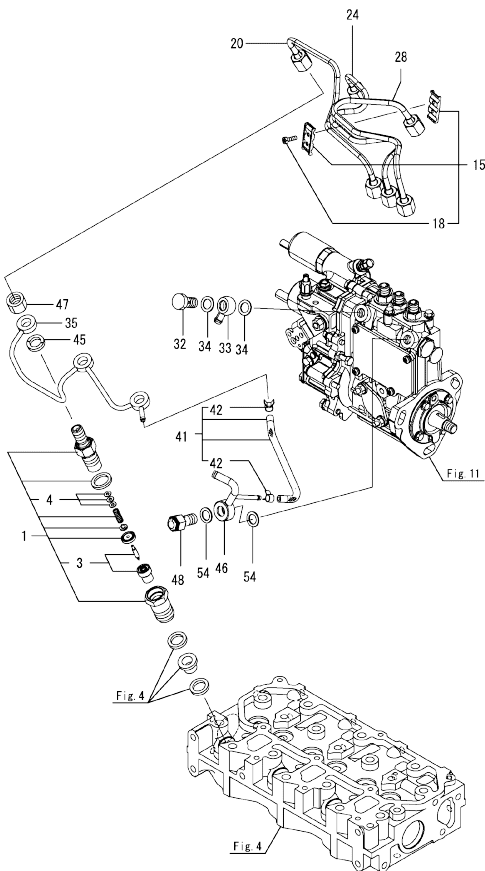
No.	Lev.	Parts No.	Description	Q'ty						I	R
				(A)	(B)	(C)	(D)	(E)	(F)		
2	2	119717-51930	PLUG, M10	1							
3	2	119717-61050	GASKET, CASE	1							
4	2	119717-61070	GASKET, COVER	1							
6	2	129155-51280	O-RING, S6	1							
13	2	119515-61440	LEVER, CONTROL	1							
62	2	119660-61901	STOPPER, SHAFT	1							
67	2	26106-060102	BOLT, M6X 10 PLATED	1							
68	2	26366-080002	NUT, M8	1							
79	2	129155-61461	BOLT, IDLE LIMIT	1							
80	2	119740-61470	NUT	1							
81	2	119C00-61901	SOLENOID, POWER CONT	1							
83	3	24357-240200	PACKING, 24020	1							
84	2	158552-61900	O-RING	1							
87	2	22190-100002	WASHER, SEAL 10	1							
89	2	22372-040000	PIN, SNAP 4	1							
90	2	26106-060102	BOLT, M6X 10 PLATED	4							
91	2	26106-060142	BOLT, M6X 14 PLATED	2							
92	2	26106-060202	BOLT, M6X 20 PLATED	4							
93	2	26106-060452	BOLT, M6X 45 PLATED	3							
94	2	119717-61060	COVER, GOVERNOR CASE	1							
128	2	129630-77900	SOLENOID, STOP	1							

Remarks

* This figure(Governor) is incorporated in the Fuel Injection Pump(Fig.11).

N:Old $\frac{100}{100}$ New, Q:Old $\frac{100}{100}$ New, R:Old $\frac{100}{100}$ New, S:Old $\frac{100}{100}$ New, W:Add, Z:Discontinued, F:Interchangeable by set, K:Qty Change
 Copyright (C) 2020 YANMAR CO., LTD. All Rights Reserved.

Fig.13. FUEL INJECTION VALVE



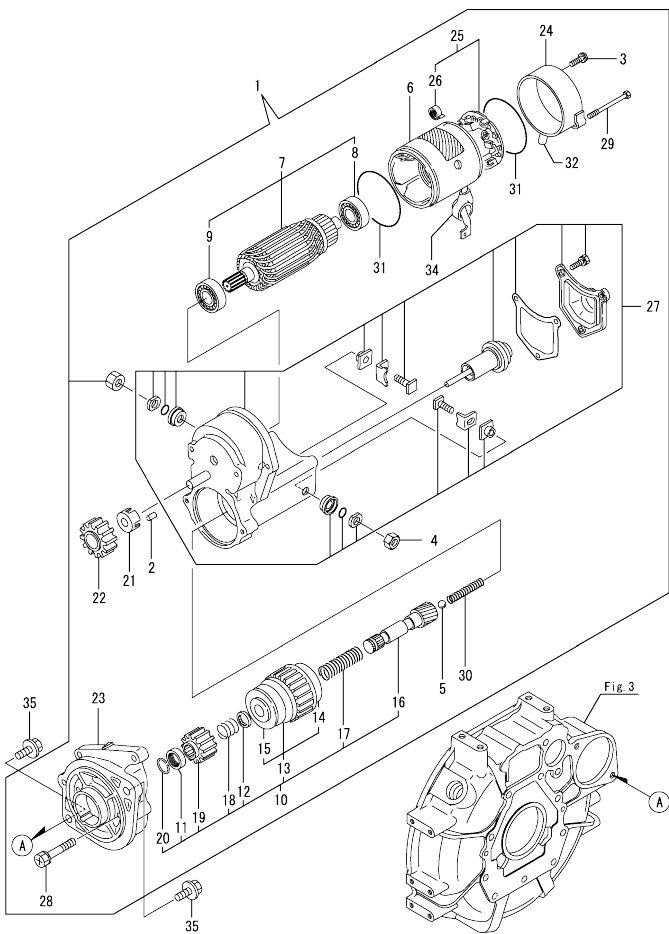
(A)=3TNV80F-SPTB
(B)=
(C)=

(D)=
(E)=
(F)=

No.	Lev.	Parts No.	Description	Q'ty						I	R
				(A)	(B)	(C)	(D)	(E)	(F)		
1	1	119C10-53000	VALVE ASSY,INJECTION	3							
3	2	119C10-53010	VALVE ASSY,INJECTION	3							
4	2	129901-53800	SHIM SET, ADJUSTING	3							1
15	1	129150-59120	RETAINER, PIPE	1							
18	2	129150-59131	BOLT, M4X14	2							
20	1	119E10-59810	PIPE ASSY, INJECTION	1							
24	1	119E10-59820	PIPE, INJECTION NO.2	1							
28	1	119E10-59830	PIPE, INJECTION NO.3	1							
32	1	103854-39140	BOLT, PIPE JOINT	1							
33	1	101304-59020	JOINT, PIPE 12	1							
34	1	22190-120002	WASHER, SEAL 12	2							
35	1	119717-59510	PIPE ASSY, RETURN	1							
41	1	119744-59560	HOSE ASSY, RETURN	1							
42	2	124066-59100	CLAMP, HOSE 8	2							
45	1	129901-59560	GASKET, FUEL RETURN	3							
46	1	119515-59581	JOINT, OVERFLOW	1							
47	1	119620-59700	NUT, NOZZLE RETURN	3							
48	1	119813-59950	VALVE ASSY, CHECK	1							
54	1	22190-120002	WASHER, SEAL 12	2							

Remarks
(1)Spare parts.

Fig.14. STARTER MOTOR

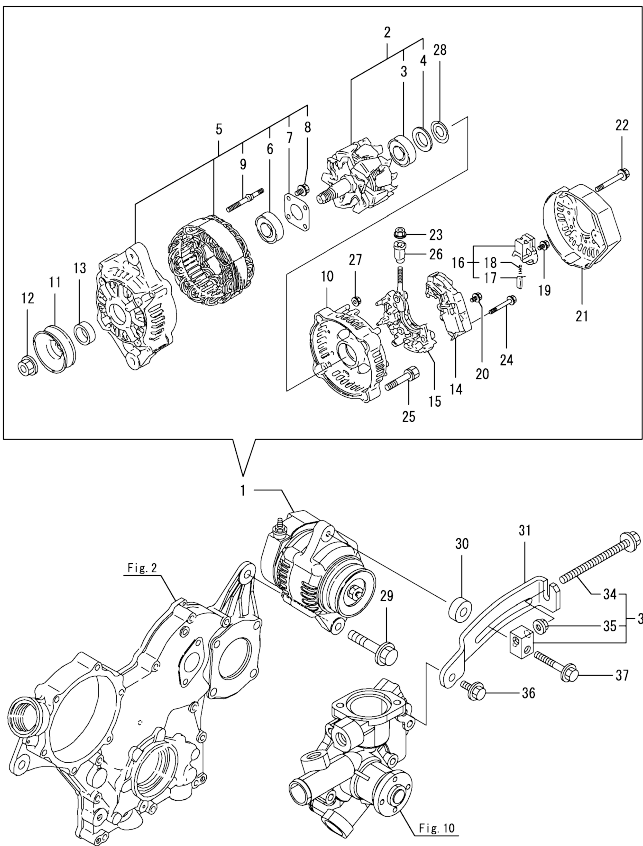


(A)=3TNV80F-SPTB
(B)=
(C)=

(D)=
(E)=
(F)=

No.	Lev.	Parts No.	Description	Q'ty						I	R
				(A)	(B)	(C)	(D)	(E)	(F)		
1	1	119740-77020	STARTER, RA1.4	1							
2	2	X0283060061	ROLLER	5							
3	2	129129-77460	SCREW	2							
4	2	X9490561370	NUT	1							
5	2	X9491200240	BALL, STEEL	1							
6	2	129407-77210	YOKE ASSY	1							
7	2	129407-77220	ARMATURE ASSY	1							
8	3	129129-77230	BEARING, BALL	1							
9	3	129129-77240	BEARING, BALL	1							
10	2	X1280996680	STARTER KIT	1							
11	3	X0280210230	NUT, PINION STOP	1							
12	3	X0283270140	RETAINER, SNAP	1							
13	3	129129-77390	CLUTCH ASSY, STARTER	1							
14	4	129129-77440	BEARING, BALL	1							
15	4	129129-77450	BEARING, BALL	1							
16	3	129129-77400	SHAFT, STARTER	1							
17	3	129129-77410	SPRING, COIL	1							
18	3	129407-77410	SPRING, COIL	1							
19	3	X0283712350	PINION, STARTER	1							
20	3	129129-77430	RING, SNAP	1							
21	2	129129-77260	RETAINER	1							
22	2	129129-77270	PINION	1							
23	2	X4284003310	HOUSING	1							
24	2	129407-77290	FRAME	1							
25	2	129407-77300	HOLDER ASSY	1							
26	3	X9491730461	SPRING, BRUSH	4							
27	2	X1534004151	SWITCH ASSY	1							
28	2	129129-77320	BOLT, W/WASHER	2							
29	2	129407-77330	BOLT	2							
30	2	129129-77340	SPRING	1							
31	2	129129-77350	O-RING	2							
32	2	129129-77362	COVER	1							
34	2	129129-77380	CAP	1							
35	1	26106-100252	BOLT, M10X 25 PLATED	2							

Fig.15. GENERATOR



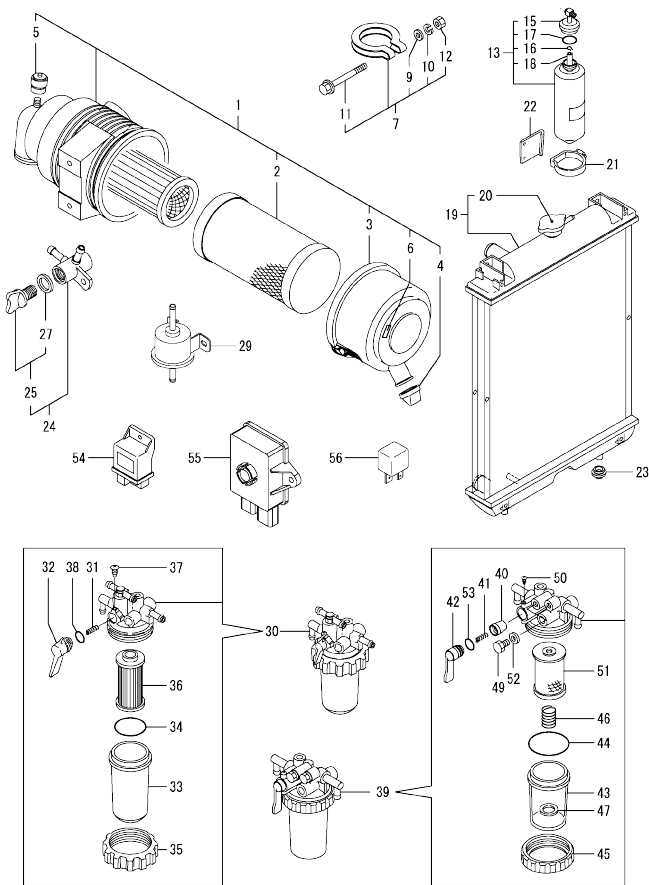
(A)=3TNV80F-SPTB
(B)=
(C)=

(D)=
(E)=
(F)=

No.	Lev.	Parts No.	Description	Q'ty						I	R
				(A)	(B)	(C)	(D)	(E)	(F)		
1	1	129423-77210	ALTERNATOR, 12V-40A	1							
2	2	119620-77380	ROTOR ASSY	1							
3	3	123501-79240	BEARING, BALL	1							
4	3	119620-79250	COVER, BEARING	1							
5	2	119620-77421	FRAME ASSY, DRIVE	1							
6	3	119620-79200	BEARING, BALL	1							
7	3	119620-79210	PLATE, RETAINER	1							
8	3	119620-79220	SCREW	4							
9	3	119620-79230	STUD	2							
10	2	119620-77440	FRAME ASSY, REAR	1							
11	2	119620-77461	PULLEY, GENERATOR	1							
12	2	119620-77471	NUT	1							
13	2	119620-77490	COLLAR	1							
14	2	129423-77730	REGULATOR ASSY	1							
15	2	119620-79260	HOLDER ASSY	1							
16	2	129052-79270	HOLDER ASSY, BRUSH	1							
17	3	119620-77480	BRUSH ASSY, SUB	2							
18	3	119620-79280	SPRING	2							
19	2	119620-79290	SCREW	6							
20	2	119620-79300	SCREW	1							
21	2	129240-79300	COVER	1							
22	2	119620-79310	BOLT	3							
23	2	129240-79310	NUT	1							
24	2	119620-79320	SCREW, W/WASHER	2							
25	2	119620-79330	BOLT	2							
26	2	119620-79340	BUSH, INSULATION	1							
27	2	119620-79350	NUT	2							
28	2	119620-79360	WASHER, THRUST	1							
29	1	26106-100452	BOLT, M10X 45 PLATED	1							
30	1	119940-77270	SPACER, GENERATOR	1							
31	1	119740-77310	ADJUSTER, BELT	1							
32	1	119624-77351	BLOCK ASSY, ADJUSTER	1							
34	2	26106-081004	BOLT, M8X100 PLATED	1							
35	2	26306-080002	NUT, M8	1							
36	1	26106-080202	BOLT, M8X 20 PLATED	1							
37	1	26106-080552	BOLT, M8X 55 PLATED	1							

N:Old $\frac{New}{Old}$ New, Q:Old $\frac{New}{Old}$ New, R:Old $\frac{New}{Old}$ New, S:Old $\frac{New}{Old}$ New, W:Add, Z:Discontinued, F:Interchangeable by set, K:Q'ty Change
Copyright (C) 2020 YANMAR CO., LTD. All Rights Reserved.

Fig.16. ACCESSORY



No.	Lev.	Parts No.	Description	Q'ty						I	R
				(A)	(B)	(C)	(D)	(E)	(F)		
1	1	119935-12530	AIR CLEANER ASSY	1							
2	2	119808-12520	ELEMENT, OUTER	1							
3	2	119866-12541	COVER ASSY, CLEANER	1							
4	2	119808-12540	VALVE, UNLODER	1							
5	2	119140-12680	INDICATOR, CLEANER	1							
6	2	129418-12530	LABEL, ARROW MARK	2							
7	1	119940-13590	CLAMP ASSY	1							
9	2	22117-100000	WASHER, 10	1							
10	2	22217-100000	WASHER, SPRING 10	1							
11	2	26106-100652	BOLT, M10X 65 PLATED	1							
12	2	26706-100002	NUT, M10	1							
13	1	171064-44510	TANK ASSY, SUB	1							
15	2	121450-44531	CAP	1							
16	2	124450-44560	CLAMP, PIPE	1							
17	2	121470-44581	GASKET	1							
18	2	23065-070225	HOSE 7X 225	1							
19	1	119935-44530	RADIATOR ASSY	1							
20	2	129107-44590	CAP, RADIATOR	1							
21	1	124450-44550	BAND, SUB TANK	1							
22	1	121256-44600	BRACKET, SUB TANK	1							
23	1	119255-44660	RUBBER, RADIATOR	2							
24	1	129150-49100	COCK ASSY, 3-WAY	1							
25	2	129150-49080	COCK, DRAIN	1							
27	3	119629-49080	GASKET	1							
29	1	129612-52100	PUMP, FUEL FEED	1							
30	1	119740-55601	STRAINER ASSY, FUEL	1							
31	2	104200-55330	SPRING, FUEL VALVE	1							
32	2	119810-55340	LEVER, FUEL	1							
33	2	121254-55510	CUP, FUEL STARINER	1							
34	2	102103-55520	O-RING, FILTER	1							
35	2	110250-55610	RING, CUP RETAINING	1							
36	2	119810-55650	ELEMENT, FUEL FILTER	1							
37	2	104200-55750	SCREW, M4	1							
38	2	24311-240100	O-RING, 1AP10A	1							
39	1	129335-55701	SEPARATOR ASSY, WATER	1							
40	2	104200-55321	VALVE, TAPER	1							
41	2	104200-55330	SPRING, FUEL VALVE	1							
42	2	104200-55341	HANDLE, COCK	1							
43	2	124064-55510	CUP, FUEL STARINER	1							
44	2	102103-55520	O-RING, FILTER	1							
45	2	110250-55610	RING, CUP RETAINING	1							
46	2	121257-55720	SPRING, ELEMENT	1							
47	2	121257-55731	FLOAT	1							
49	2	101720-55750	PLUG, HEXAGON M6	2							
50	2	104200-55750	SCREW, M4	1							
51	2	171081-55910	FILTER, FUEL 100M	1							
52	2	23418-060000	GASKET, 6X1.0	2							
53	2	24311-240100	O-RING, 1AP10A	1							
54	1	119802-77200	RELAY, SAFETY	1							
55	1	119C10-77600	DRIVER, SOLENOID	1							
56	1	129927-77930	RELAY, ISO 40A	2							

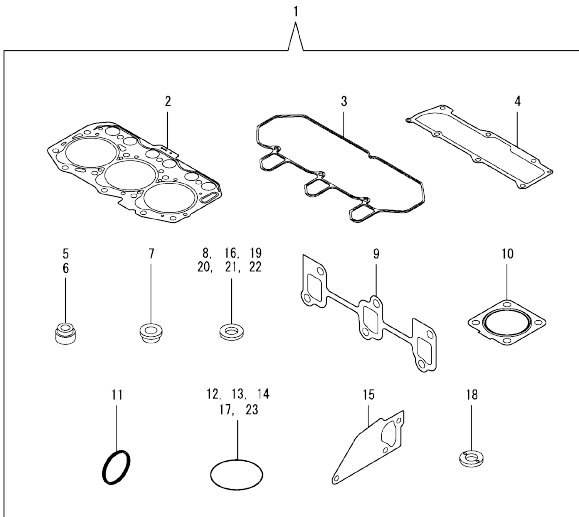
N:Old $\frac{100}{100}$ New. Q:Old $\frac{100}{100}$ New. R:Old $\frac{100}{100}$ New. S:Old $\frac{100}{100}$ New. W:Add. Z:Discontinued. F:Interchangeable by set. K:Q'ty Change
 Copyright (C) 2020 YANMAR CO., LTD. All Rights Reserved.

Fig.17. GASKET SET

(A)=3TNV80F-SPTB
(B)=
(C)=

(D)=
(E)=
(F)=

No.	Lev.	Parts No.	Description	Q'ty						I	R
				(A)	(B)	(C)	(D)	(E)	(F)		
1	1	119E40-92610	GASKET SET	1							1
2	2	119E10-01330	GASKET SET, HEAD	1							
3	2	119718-11310	GASKET, BONNET	1							
4	2	119717-11331	GASKET, BONNET COVER	1							
5	2	119717-11340	SEAL, VALVE STEM	3							
6	2	119717-11350	SEAL, VALVE STEM	3							
7	2	129901-11450	PROTECTOR, NOZZLE	3							
8	2	119600-11460	GASKET, NOZZLE	6							
9	2	119717-13110	GASKET, MANIFOLD	1							
10	2	119515-13200	GASKET, SILENCER	1							
11	2	119C10-21931	PACKING, WASHER	1							
12	2	119624-32040	O-RING, P12.0	1							
13	2	119717-32050	O-RING, P17.0	3							
14	2	119717-32060	O-RING, P15.0	1							
15	2	119717-42020	GASKET, WATER PUMP	1							
16	2	124465-44950	GASKET, 16	2							
17	2	121850-51960	O-RING, FUEL PUMP	1							
18	2	129901-59560	GASKET, FUEL RETURN	3							
19	2	22190-080002	WASHER, SEAL 8	4							
20	2	22190-120002	WASHER, SEAL 12	4							
21	2	22190-160002	WASHER, SEAL 16	1							
22	2	23414-080000	GASKET, 8X1.0	1							
23	2	24311-000320	O-RING, 1AP32.0	2							



Remarks
(1)Optional parts.

Parts No. Index

Parts No.	Fig. No.	Ref. No.	Parts No.	Fig. No.	Ref. No.	Parts No.	Fig. No.	Ref. No.	Parts No.	Fig. No.	Ref. No.
101304-59020	13	33	119620-79260	15	15	119717-21200	7	4	119740-77020	14	1
101720-55750	16	49	119620-79280	15	18	119717-23200	7	27	119740-77310	15	31
102103-55520	16	34	119620-79290	15	19	119717-23601	7	28	119744-59560	13	41
		44	119620-79300	15	20	119717-23611	7	31	119802-03100	4	39
103854-39140	13	32	119620-79310	15	22	119717-23911	7	30	119802-03110	4	40
104200-55321	16	40	119620-79320	15	24	119717-25050	6	9	119802-03121	4	41
104200-55330	16	31	119620-79330	15	25	119717-25101	6	10	119802-03131	4	42
		41	119620-79340	15	26	119717-25911	6	16	119802-03141	4	43
104200-55341	16	42	119620-79350	15	27	119717-25930	6	15	119802-32130	2	15
104200-55750	16	37	119620-79360	15	28	119717-26000	8	1	119802-77200	16	54
		50	119621-21681	7	12	119717-32050	2	19	119808-12520	16	2
105010-11490	4	3	119623-01250	1	5		17	13	119808-12540	16	4
105311-01090	1	4	119624-32040	2	18	119717-32060	9	5	119810-01200	1	26
105425-01690	3	9		17	12		17	14	119810-02941	1	34
110250-55610	16	35	119624-77351	15	32	119717-32080	2	9	119810-55340	16	32
		45	119629-49080	16	27	119717-32100	2	8	119810-55650	16	36
114250-39450	9	11	119641-26020	8	7	119717-32110	2	13	119813-59950	13	48
119131-18320	5	6	119660-01911	2	17	119717-32120	2	14	119865-21600	7	10
119140-12680	16	5	119660-61901	12	62	119717-34801	9	1	119866-12541	16	3
119255-44660	16	23	119717-01570	2	2	119717-35080	9	6	119935-12530	16	1
119256-44760	10	20	119717-01601	3	2	119717-35140	9	3	119935-44530	16	19
119260-11270	4	26	119717-01720	3	7	119717-39210	9	12	119940-13590	16	7
119285-01990	1	6	119717-01750	2	16	119717-42020	10	13	119940-77270	15	30
119285-11990	4	11	119717-01770	3	8		17	15	119C00-61901	12	81
119305-35151	9	17	119717-01800	2	7	119717-42031	10	3	119C10-21650	7	11
119515-13200	5	8	119717-02411	1	10	119717-42350	10	17	119C10-21931	7	13
	17	10	119717-02930	1	23	119717-51150	6	17		17	11
119515-59581	13	46	119717-03031	4	36	119717-51420	11	67	119C10-21940	7	14
119515-61440	12	13	119717-03070	4	37	119717-51711	11	92	119C10-42320	10	10
119540-26210	8	8		38		119717-51750	11	93	119C10-53000	13	1
119600-11460	4	2	119717-11131	4	15	119717-51761	11	94	119C10-53010	13	3
	17	8	119717-11190	4	17	119717-51860	11	108	119C10-77600	16	55
119620-01750	3	3	119717-11200	4	21	119717-51930	12	2	119E00-01560	1	1
119620-02020	1	7	119717-11240	4	22	119717-59510	13	35	119E10-01330	1	27
119620-11280	4	27	119717-11260	4	25	119717-61050	12	3		17	2
119620-14200	6	1	119717-11320	4	46	119717-61060	12	94	119E10-11100	4	13
119620-21500	7	7	119717-11331	4	47	119717-61070	12	4	119E10-11110	4	14
119620-59700	13	47		17	4	119717-77801	4	56	119E10-11740	4	4
119620-77380	15	2	119717-11340	4	18	119717-77820	4	57	119E10-21700	7	1
119620-77421	15	5		17	5	119718-11310	4	45	119E10-22300	7	22
119620-77440	15	10	119717-11350	4	19		17	3	119E10-22500	7	18
119620-77461	15	11		17	6	119718-49800	10	23	119E10-22550	7	34
119620-77471	15	12	119717-11381	4	35	119734-02220	3	4	119E10-23001	7	24
119620-77480	15	17	119717-11650	4	28	119740-01501	2	1	119E10-42001	10	1
119620-77490	15	13	119717-11800	4	58	119740-01521	2	5	119E10-51250	11	114
119620-79200	15	6	119717-13110	5	2	119740-01580	2	3	119E10-59810	13	20
119620-79210	15	7		17	9	119740-13100	5	1	119E10-59820	13	24
119620-79220	15	8	119717-13600	5	3	119740-13500	5	9	119E10-59830	13	28
119620-79230	15	9	119717-14400	6	2	119740-55601	16	30	119E11-22080	7	16
119620-79250	15	4	119717-14581	6	3	119740-61470	12	80	119E11-22900	7	33

Parts No. Index

Parts No.	Fig. No.	Ref. No.
119E40-92610	17	1
119E44-21610	7	8
121023-01551	2	30
121254-55510	16	33
121256-44600	16	22
121257-55720	16	46
121257-55731	16	47
121450-01560	8	5
121450-42450	10	26
121450-44531	16	15
121470-44581	16	17
121520-34810	9	2
121550-49111	10	25
121850-51960	2	20
	17	17
122710-51090	11	8
123501-79240	15	3
124060-01050	1	11
124064-55510	16	43
124066-59100	13	42
124160-01751	2	28
	4	34
124160-01910	1	12
124450-44550	16	21
124450-44560	16	16
124465-44950	10	28
	17	16
129001-32320	2	11
129001-32330	2	12
129005-59830	9	13
129052-79270	15	16
129100-01580	3	1
	7	2
129100-52200	11	112
129107-44590	16	20
129129-77230	14	8
129129-77240	14	9
129129-77260	14	21
129129-77270	14	22
129129-77320	14	28
129129-77340	14	30
129129-77350	14	31
129129-77362	14	32
129129-77380	14	34
129129-77390	14	13
129129-77400	14	16
129129-77410	14	17
129129-77430	14	20
129129-77440	14	14
129129-77450	14	15

Parts No.	Fig. No.	Ref. No.	
129129-77460	14	3	
129150-11230	4	29	
129150-11750	4	31	
129150-25301	6	14	
129150-49080	16	25	
129150-49100	16	24	
129150-59120	13	15	
129150-59131	13	18	
129155-51020	11	4	
129155-51280	11	57	
		58	
		12	6
129155-51400	11	65	
129155-51580	11	89	
129155-51701	11	91	
129155-52051	11	111	
129155-61461	12	79	
129240-79300	15	21	
129240-79310	15	23	
129335-55701	16	39	
129350-26490	8	3	
129350-49530	10	22	
129407-77210	14	6	
129407-77220	14	7	
129407-77290	14	24	
129407-77300	14	25	
129407-77330	14	29	
129407-77410	14	18	
129418-12530	16	6	
129423-77210	15	1	
129423-77730	15	14	
129508-11180	4	16	
129612-52100	16	29	
129630-77900	12	128	
129900-07900	4	54	
129900-32130	2	10	
129901-11450	4	1	
	17	7	
129901-53800	13	4	
129901-59560	13	45	
	17	18	
129927-44900	10	27	
129927-77930	16	56	
129974-49350	10	29	
129C26-01890	8	6	
129E00-13610	5	4	
129E00-13630	5	5	
158552-61900	12	84	
158600-51270	11	56	
158600-51410	11	66	

Parts No.	Fig. No.	Ref. No.	
158600-51420	11	68	
158600-51570	11	88	
158600-51790	11	95	
171064-44510	16	13	
171081-55910	16	51	
171340-44740	10	19	
22117-100000	16	9	
22190-080002	9	14	
		16	
		17	19
22190-100002	12	87	
22190-120002	10	30	
	13	34	
		54	
	17	20	
22190-160002	3	11	
	11	97	
	17	21	
22217-100000	16	10	
22217-120000	11	98	
22242-000120	4	32	
22252-000220	7	23	
22351-050010	11	99	
22351-060012	4	20	
22372-040000	12	89	
22512-040120	7	5	
		15	
22857-500100	4	48	
		49	
22857-500160	4	50	
23065-070225	16	18	
23414-080000	10	14	
	17	22	
23418-060000	16	52	
23857-030000	9	15	
23876-005000	4	12	
23876-030000	2	6	
24104-060054	8	4	
24311-000320	2	29	
	4	51	
	17	23	
24311-240100	16	38	
		53	
24341-000240	2	31	
24357-240200	12	83	
25152-003700	10	18	
26022-050122	11	103	
26106-060102	9	10	
	12	67	
		90	

Parts No.	Fig. No.	Ref. No.
26106-060122	2	21
	6	8
26106-060142	12	91
26106-060162	2	22
		32
	11	115
26106-060202	4	52
	12	92
26106-060352	6	13
26106-060402	2	23
		24
26106-060452	12	93
26106-060602	2	25
	10	21
26106-060652	2	26
26106-060752	4	53
26106-080122	3	12
	10	15
26106-080162	4	55
	11	116
26106-080202	10	24
	15	36
26106-080302	3	13
26106-080402	4	33
26106-080452	3	14
26106-080502	3	15
	10	16
26106-080552	15	37
26106-080752	8	9
26106-081004	15	34
26106-100162	5	10
26106-100252	14	35
26106-100452	15	29
26106-100652	16	11
26206-100252	3	5
26206-100302	3	6
26306-080002	2	27
	5	7
		11
	8	10
	15	35
26366-080002	12	68
26577-060122	10	12
26706-100002	16	12
26716-120002	11	105
27241-120000	1	13
719717-02901	1	28
719717-02911	1	31
719740-01510	2	4
719E44-51340	11	1

Parts No. Index

Parts No.	Fig. No.	Ref. No.
X0280210230	14	11
X0283060061	14	2
X0283270140	14	12
X0283712350	14	19
X1280996680	14	10
X1534004151	14	27
X4284003310	14	23
X9490561370	14	4
X9491200240	14	5
X9491730461	14	26

Parts No.	Fig. No.	Ref. No.
-----------	----------	----------

Parts No.	Fig. No.	Ref. No.
-----------	----------	----------

Parts No.	Fig. No.	Ref. No.
-----------	----------	----------