

0CD50-M00240EN

P R E F A C E

This parts catalog is the 1st edition of 3TNV80F-SDKTF for Tong Yang Moolsan Co., Ltd.

Published : April, 2014

Contents

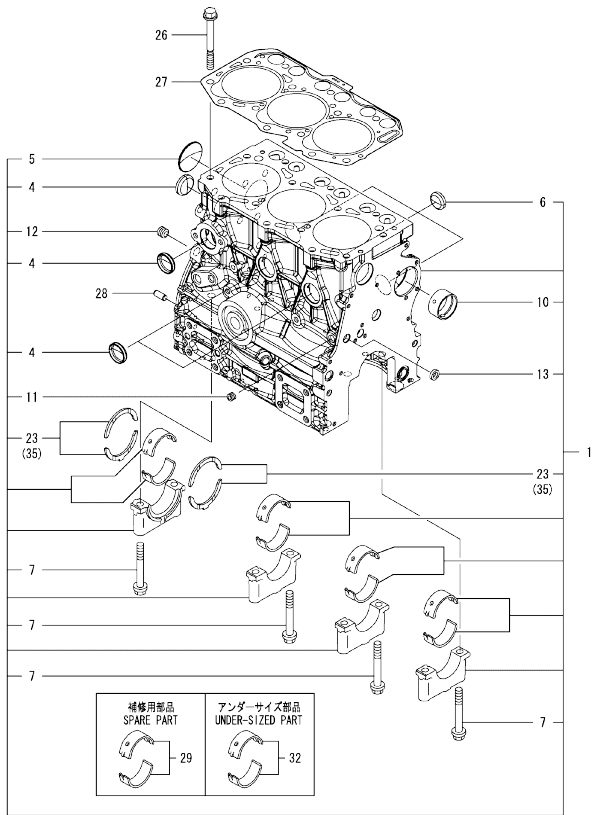
0CD50-M00240

Fig. No.	Fig. Name	Fig. No.	Fig. Name
3	TNV80F-SDKTF		
1.	CYLINDER BLOCK		
2.	GEAR HOUSING		
3.	OIL SUMP		
4.	CYLINDER HEAD & BONNET		
5.	EXHAUST MANIFOLD		
6.	CAMSHAFT & DRIVING GEAR		
7.	CRANKSHAFT & PISTON		
8.	LUB. OIL SYSTEM		
9.	COOLING WATER SYSTEM		
10.	FUEL INJECTION PUMP		
11.	GOVERNOR		
12.	FUEL INJECTION VALVE		
13.	FUEL FILTER		
14.	STARTING MOTOR		
15.	GENERATOR		
16.	GASKET SET		

Fig.1. CYLINDER BLOCK

(A)=3TNV80F-SDKTF
(B)=
(C)=

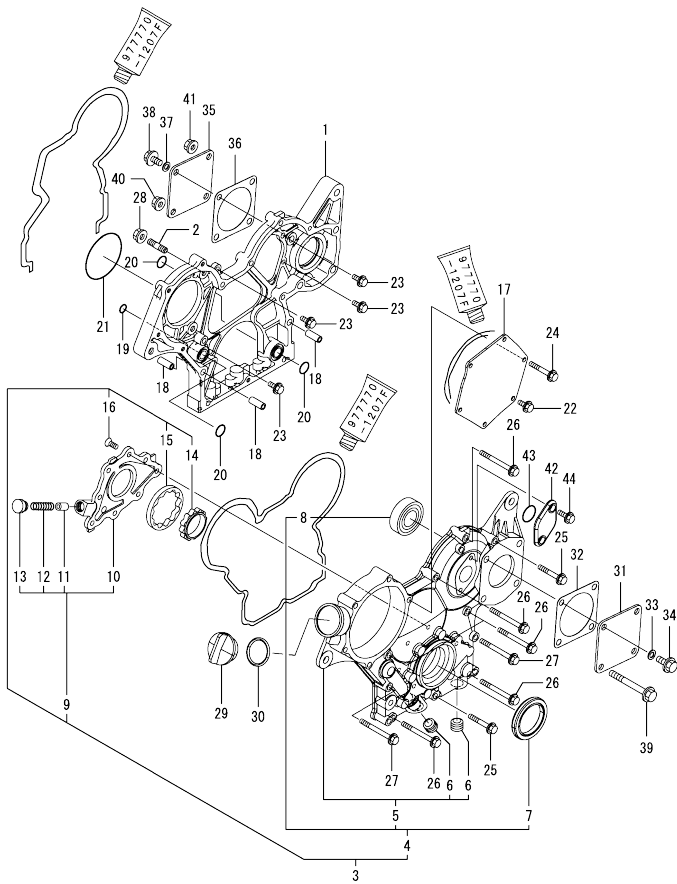
(D)=
(E)=
(F)=



No.	Lev.	Parts No.	Description	Q'ty						I	R
				(A)	(B)	(C)	(D)	(E)	(F)		
1	1	119E00-01560	BLOCK ASSY, CYLINDER	1							
4	2	105311-01090	PLUG, 30	4							
5	2	119623-01250	PLUG, 45	1							
6	2	119285-01990	PLUG, 25	3							
7	2	119620-02020	BOLT, METAL CAP	8							
10	2	119717-02411	BUSH, CAMSHAFT	1							
11	2	124060-01050	PLUG, PT1/8	1							
12	2	124160-01910	PLUG, PT1/4	1							
13	2	27241-120000	PLUG, 12	1							
23	2	119717-02930	BEARING, THRUST	2							
26	1	119810-01200	BOLT, HEAD	14							
27	1	119E10-01330	GASKET SET, HEAD	1							
28	1	129100-01580	PIN, 8X16	2							
29	1	719717-02901	BEARING, MAIN	4							1
32	1	719717-02911	BEARING, 0.25 US	4							2
35	1	119810-02941	BEARING, THRUST 0.25	2							3

Remarks
 (1)Spare parts.
 (2)Under-sized(U.S.=0.25) parts.
 (3)Over-sized(O.S.=0.25) parts.

OCD50-M00240 3TNV80F-SDKTF
 Fig.2. GEAR HOUSING



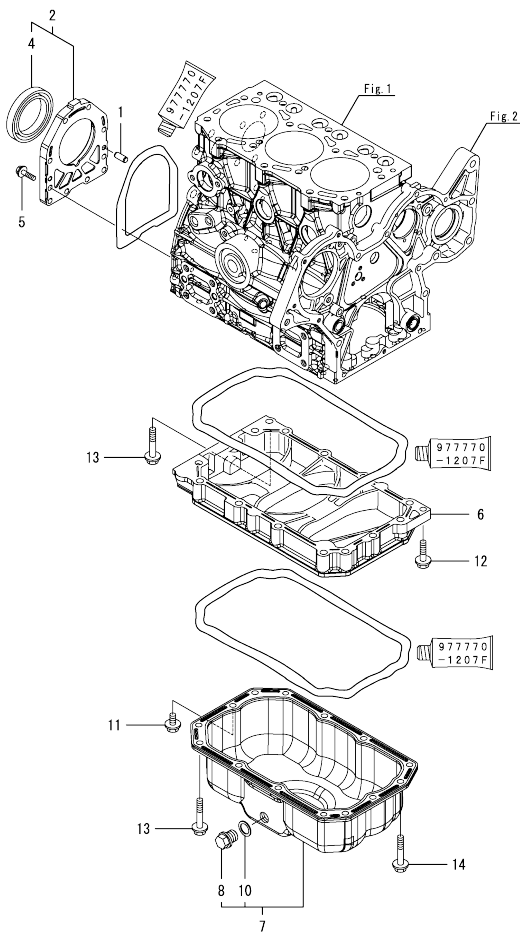
OCD50-M00240 Fig.2

(A)=3TNV80F-SDKTF
 (B)=
 (C)=

(D)=
 (E)=
 (F)=

No.	Lev.	Parts No.	Description	Q'ty						I	R
				(A)	(B)	(C)	(D)	(E)	(F)		
1	1	119740-01501	CASE, GEAR	1							
2	1	119717-01570	STUD	3							
3	1	119751-01590	COVER ASSY,GEAR CASE	1							
4	2	719751-01500	COVER ASSY,GEAR CASE	1							
5	3	119751-01521	COVER, GEAR CASE	1							
6	4	23876-030000	PLUG, R03	2							
7	3	119717-01800	SEAL, OIL	1							
8	3	24101-062024	BEARING, BALL 6202	1							
9	2	119717-32100	COVER ASSY	1							
10	3	119717-32080	COVER	1							
11	3	129900-32130	VALVE, RELIEF	1							
12	3	129001-32320	SPRING	1							
13	3	129001-32330	PLUG	1							
14	2	119717-32110	ROTOR, INNER	1							
15	2	119717-32120	ROTOR, OUTER	1							
16	2	119802-32130	SCREW, M6X16	8							
17	1	119717-01750	COVER	1							
18	1	119660-01911	PIPE, KNOCK	4							
19	1	119624-32040	O-RING, P12.0	1							
20	1	119717-32050	O-RING, P17.0	3							
21	1	121850-51960	O-RING	1							
22	1	26106-060122	BOLT, M6X 12 PLATED	1							
23	1	26106-060162	BOLT, M6X 16 PLATED	4							
24	1	26106-060402	BOLT, M6X 40 PLATED	4							
25	1	26106-060402	BOLT, M6X 40 PLATED	2							
26	1	26106-060602	BOLT, M6X 60 PLATED	7							
27	1	26106-060652	BOLT, M6X 65 PLATED	2							
28	1	26306-080002	NUT, M8	3							
29	1	124160-01751	COVER, FILLER	1							
30	1	24311-000320	O-RING, 1AP32.0	1							
31	1	124240-01871	COVER	1							
32	1	129C26-01890	GASKET, HO-P	1							
33	1	22190-080002	WASHER, SEAL 8	1							
34	1	26106-080122	BOLT, M8X 12 PLATED	1							
35	1	124240-01871	COVER	1							
36	1	129C26-01890	GASKET, HO-P	1							
37	1	22190-080002	WASHER, SEAL 8	1							
38	1	26106-080142	BOLT, M8X 14 PLATED	1							
39	1	26106-080702	BOLT, M8X 70 PLATED	3							
40	1	26306-080002	NUT, M8	1							
41	1	26306-080002	NUT, M8	2							
42	1	121023-01551	COVER	1							
43	1	24341-000240	O-RING, 1AS24.0	1							
44	1	26106-060162	BOLT, M6X 16 PLATED	2							

Fig.3. OIL SUMP

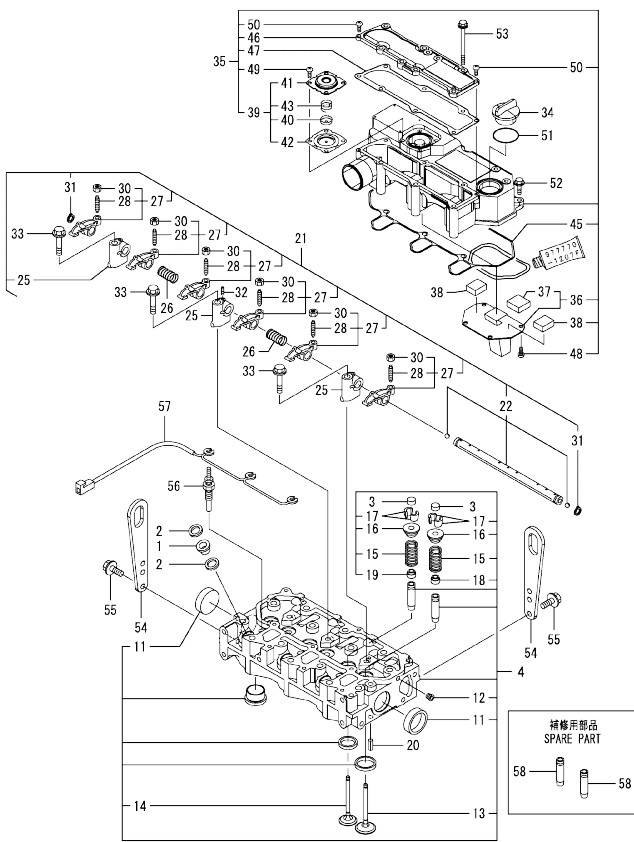


(A)=3TNV80F-SDKTF
(B)=
(C)=

(D)=
(E)=
(F)=

No.	Lev.	Parts No.	Description	Q'ty						I	R
				(A)	(B)	(C)	(D)	(E)	(F)		
1	1	119620-01620	PIN, M6X10	2							
2	1	119660-01640	CASE ASSY, OIL SEAL	1							
4	2	124085-02220	SEAL, OIL	1							
5	1	26106-060222	BOLT, M6X 22 PLATED	10							
6	1	119717-01720	SPACER, OIL SUMP	1							
7	1	119717-01770	SUMP ASSY, OIL	1							
8	2	105425-01690	PLUG, 16	1							
10	2	22190-160002	WASHER, SEAL 16	1							
11	1	26106-080122	BOLT, M8X 12 PLATED	1							
12	1	26106-080302	BOLT, M8X 30 PLATED	1							
13	1	26106-080452	BOLT, M8X 45 PLATED	11							
14	1	26106-080502	BOLT, M8X 50 PLATED	3							

Fig.4. CYLINDER HEAD & BONNET



(A)=3TNV80F-SDKTF
(B)=
(C)=

(D)=
(E)=
(F)=

No.	Lev.	Parts No.	Description	Q'ty						I	R
				(A)	(B)	(C)	(D)	(E)	(F)		
1	1	129901-11450	PROTECTOR, NOZZLE	3							
2	1	119600-11460	GASKET, NOZZLE	6							
3	1	105010-11490	CAP, VALVE	6							
4	1	119E10-11750	HEAD ASSY, CYLINDER	1							
11	2	119285-11990	PLUG, 35	2							
12	2	23876-005000	PLUG, R005	1							
13	2	119E10-11100	VALVE, SUCTION	3							
14	2	119E10-11110	VALVE, EXHAUST	3							
15	2	119717-11131	SPRING, VALVE	6							
16	2	129508-11180	RETAINER, SPRING	6							
17	2	119717-11190	COTTER	12							
18	2	119717-11340	SEAL, VALVE STEM	3							
19	2	119717-11350	SEAL, VALVE STEM	3							
20	1	22351-060012	PIN, SPRING 6.0X12	2							
21	1	119717-11200	SUPPORT ASSY, ARM	1							
22	2	119717-11240	SHAFT ASSY, ROCKER	1							
25	2	119717-11260	SUPPORT, ROCKER ARM	3							
26	2	119620-11280	SPRING	2							
27	2	119717-11650	ARM, ROCKER	6							
28	3	129150-11230	SCREW, VALVE ADJUST	6							
30	3	129150-11750	NUT, M8	6							
31	2	22242-000120	RING, 12	2							
32	2	26979-050162	SCREW, M5X16	1							
33	1	26106-080402	BOLT, M8X 40 PLATED	3							
34	1	124160-01751	COVER, FILLER	1							
35	1	119717-11381	BONNET ASSY, HEAD	1							
36	2	119717-03031	PLATE	1							
37	3	119717-03070	BAFFLE, BREATHER	1							
38	2	119717-03070	BAFFLE, BREATHER	2							
39	2	119802-03100	DIAPHRAGM ASSY	1							
40	3	119802-03110	PLATE	1							
41	3	119802-03121	COVER, DIAPHRAGM	1							
42	3	119802-03131	DIAPHRAGM	1							
43	3	119802-03141	SPRING, DIAPHRAGM	1							
45	2	119718-11310	GASKET, BONNET	1							
46	2	119717-11320	COVER, BONNET	1							
47	2	119717-11331	GASKET	1							
48	2	22857-500100	SCREW, 5X10	4							
49	2	22857-500100	SCREW, 5X10	4							
50	2	22857-500160	SCREW, 5X16	2							
51	1	24311-000320	O-RING, 1AP32.0	1							
52	1	26106-060202	BOLT, M6X 20 PLATED	3							
53	1	26106-060752	BOLT, M6X 75 PLATED	6							
54	1	129900-07900	LIFTER	2							
55	1	26106-080162	BOLT, M8X 16 PLATED	4							
56	1	119717-77801	PLUG, GLOW	3							
57	1	119717-77820	CONNECTOR, GLOW PLUG	1							
58	1	119717-11800	GUIDE, VALVE	6							

Remarks
(1)Spare parts.

Fig.5. EXHAUST MANIFOLD

(A)=3TNV80F-SDKTF
(B)=
(C)=

(D)=
(E)=
(F)=

No.	Lev.	Parts No.	Description	Q'ty					
				(A)	(B)	(C)	(D)	(E)	(F)
1	1	119718-13100	MANIFOLD, EXHAUST	1					
2	1	119717-13110	GASKET	1					
3	1	119717-13600	STUD, M8X50	2					
4	1	119802-13620	BOLT, M8X50	4					
5	1	119131-18320	STUD, M8X22	4					
6	1	26306-080002	NUT, M8	2					
7	1	119515-13200	GASKET, SILENCER	1					

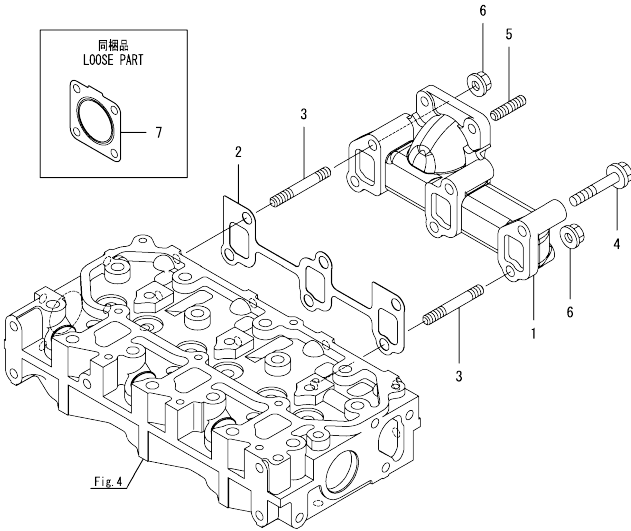
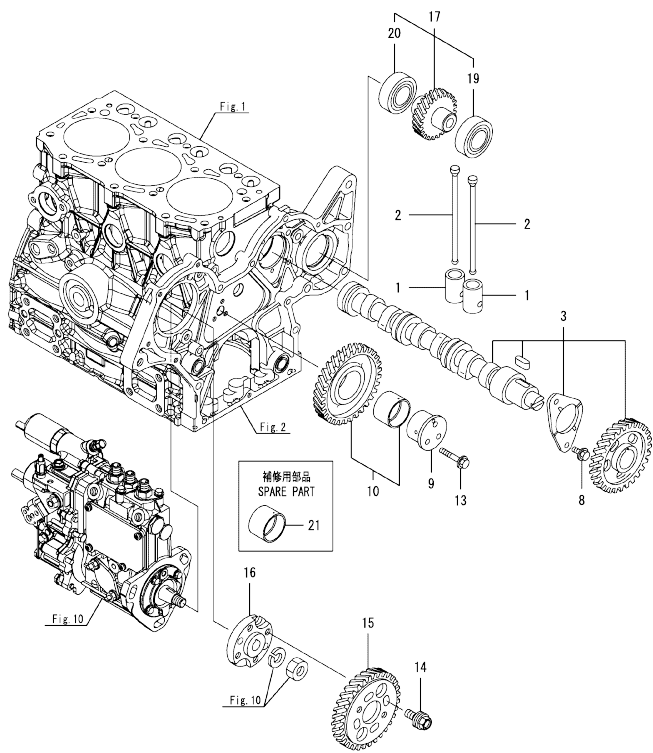


Fig.6. CAMSHAFT & DRIVING GEAR



(A)=3TNV80F-SDKTF
(B)=
(C)=

(D)=
(E)=
(F)=

No.	Lev.	Parts No.	Description	Q'ty						I	R
				(A)	(B)	(C)	(D)	(E)	(F)		
1	1	119620-14200	TAPPET	6							
2	1	119717-14400	ROD, PUSH	6							
3	1	119717-14581	CAMSHAFT ASSY	1							
8	1	26106-060122	BOLT, M6X 12 PLATED	2							
9	1	119717-25050	SHAFT, IDLE	1							
10	1	119717-25101	GEAR ASSY, IDLE	1							
13	1	26106-060352	BOLT, M6X 35 PLATED	3							
14	1	129150-25301	BOLT	4							
15	1	119717-25930	GEAR, PUMP	1							
16	1	119717-51150	FLANGE	1							
17	1	119717-26000	GEAR ASSY, PUMP	1							
19	2	129350-26490	BEARING, BALL 16005	1							
20	2	24104-060054	BEARING, BALL 6005UU	1							
21	1	119717-25911	BUSH, IDLE GEAR	1							1

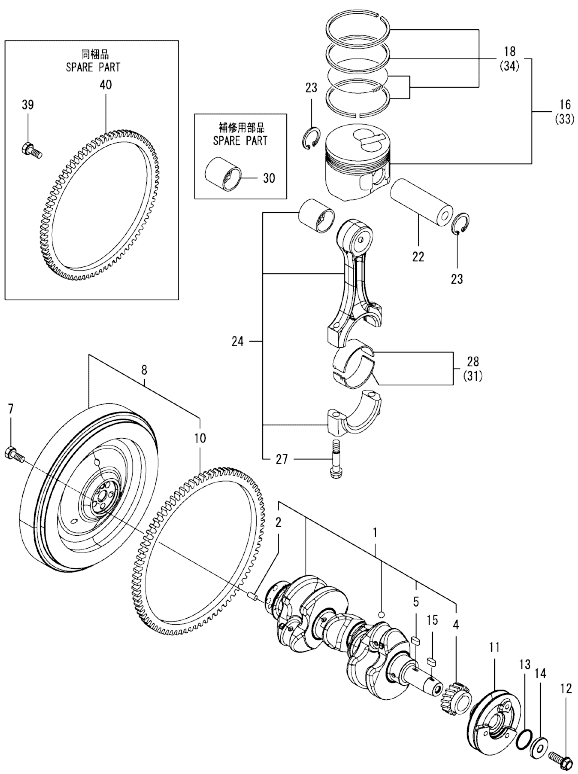
Remarks

(1)Spare parts.

Fig.7. CRANKSHAFT & PISTON

(A)=3TNV80F-SDKTF
(B)=
(C)=

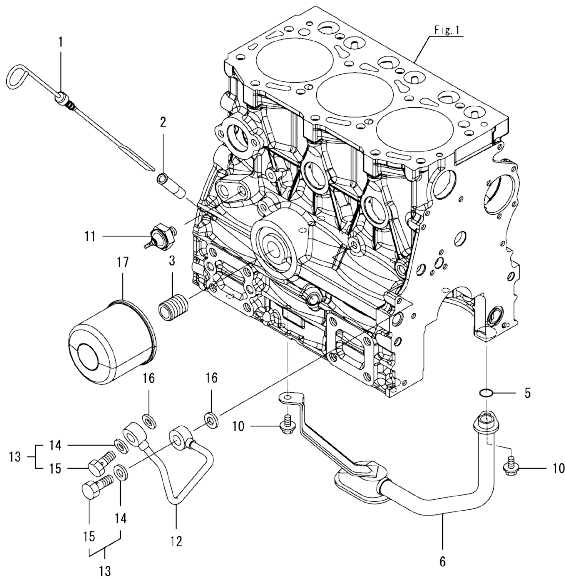
(D)=
(E)=
(F)=



No.	Lev.	Parts No.	Description	Q'ty						I	R
				(A)	(B)	(C)	(D)	(E)	(F)		
1	1	119E10-21700	CRANKSHAFT ASSY	1							
2	2	129100-01580	PIN, 8X16	1							
4	2	119717-21200	GEAR, CRANKSHAFT	1							
5	2	22512-040120	KEY, 4X 12	1							
7	1	121111-21501	BOLT, FLYWHEEL	5							
8	1	119E10-21590	FLYWHEEL ASSY	1							
10	2	119865-21600	GEAR, RING	1							
11	1	119C10-21650	V-PULLEY, CRANKSHAFT	1							
12	1	119621-21681	BOLT, FLANGE 12X1.25	1							
13	1	119C10-21930	PACKING, WASHER	1							
14	1	119C10-21940	WASHER, V-PULLEY	1							
15	1	22512-040120	KEY, 4X 12	1							
16	1	119E10-22080	PISTON ASSY	3							
18	2	119E10-22500	RING ASSY	3							
22	1	119E10-22300	PIN, PISTON	3							
23	1	22252-000220	RING, 22	6							
24	1	119E10-23000	ROD ASSY, CONNECTING	3							
27	2	119717-23200	BOLT, CONNECTING ROD	6							
28	1	119717-23601	BEARING, CRANK PIN	3							
30	1	119717-23910	BEARING, PISTON PIN	3							1
31	1	119717-23611	METAL ASSY, 0.25	3							2
33	1	119E10-22900	PISTON ASSY, 0.25 OS	3							3
34	2	119E10-22550	RING ASSY, 0.25	3							3
39	1	121111-21501	BOLT, FLYWHEEL	5							
40	1	124060-21600	GEAR, RING	1							

Remarks
(1) Spare parts.
(2) Under-sized (U.S.=0.25) parts.
(3) Over-sized (O.S.=0.25) parts.

Fig.8. LUB. OIL SYSTEM



(A)=3TNV80F-SDKTF
(B)=
(C)=

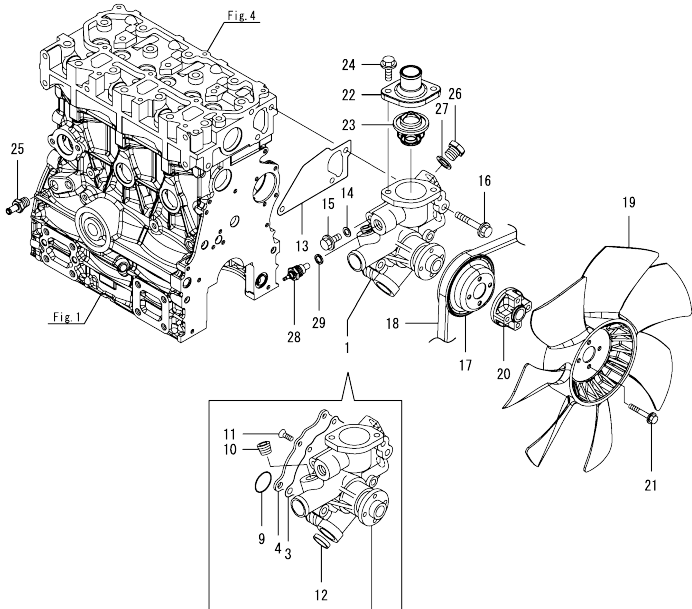
(D)=
(E)=
(F)=

No.	Lev.	Parts No.	Description	Q'ty						I	R
				(A)	(B)	(C)	(D)	(E)	(F)		
1	1	119717-34801	DIPSTICK, OIL	1							
2	1	121520-34810	GUIDE, DIPSTICK	1							
3	1	119717-35140	BOLT	1							
5	1	119717-32060	O-RING, P15.0	1							
6	1	119717-35080	PIPE ASSY, OIL INLET	1							
10	1	26106-060102	BOLT, M6X 10 PLATED	2							
11	1	114250-39450	SWITCH, 0.5KG	1							
12	1	119717-39210	PIPE, OIL	1							
13	1	129005-59830	BOLT ASSY, JOINT M8	2							
14	2	22190-080002	WASHER, SEAL 8	2							
15	2	23857-030000	BOLT, JOINT 3	2							
16	1	22190-080002	WASHER, SEAL 8	2							
17	1	119305-35151	FILTER ASSY, D68XL65	1							1

Remarks

(1)Spare parts.

Fig.9. COOLING WATER SYSTEM

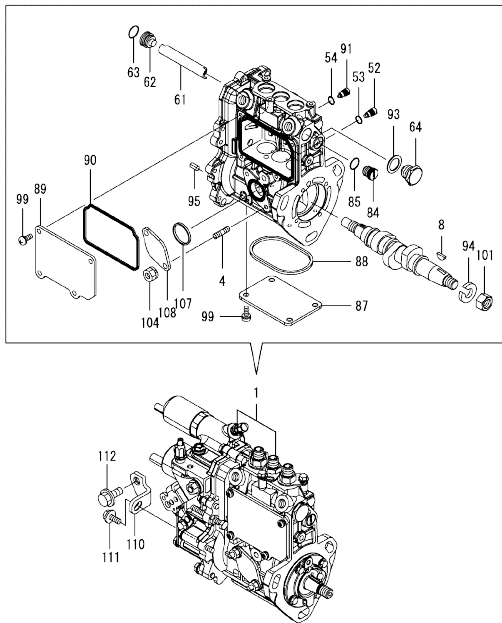


No.	Lev.	Parts No.	Description	Q'ty						I	R
				(A)	(B)	(C)	(D)	(E)	(F)		
1	1	119E10-42000	PUMP ASSY, WATER	1							
3	2	119717-42031	GASKET	1							
4	2	119717-42041	COVER	1							
9	2	119C10-42320	O-RING, 2028	1							
10	2	129916-49740	PLUG, R03	1							
11	2	26577-060122	SCREW, M6X12	4							
12	2	27241-250000	PLUG, 25	1							
13	1	119717-42020	GASKET, WATER PUMP	1							
14	1	23414-080000	GASKET, 8X1.0	1							
15	1	26106-080122	BOLT, M8X 12 PLATED	1							
16	1	26106-080502	BOLT, M8X 50 PLATED	3							
17	1	119717-42350	V-PULLEY, D=100	1							
18	1	25132-003700	V-BELT, A37	1							
19	1	119717-44740	FAN, COOLING D335X7	1							
20	1	171353-44760	SPACER, FAN	1							
21	1	26106-060402	BOLT, M6X 40 PLATED	4							
22	1	129350-49530	COVER, THERMOSTAT	1							
23	1	119717-49800	THERMOSTAT, 71	1							
24	1	26106-080202	BOLT, M8X 20 PLATED	2							
25	1	121550-49111	JOINT, PT1/4	1							
26	1	121450-42450	PLUG, M16	1							
27	1	124465-44950	GASKET, 16	1							
28	1	124250-49351	SENSOR	1							
29	1	129150-49360	GASKET	1							

Fig.10. FUEL INJECTION PUMP

(A)=3TNV80F-SDKTF
(B)=
(C)=

(D)=
(E)=
(F)=

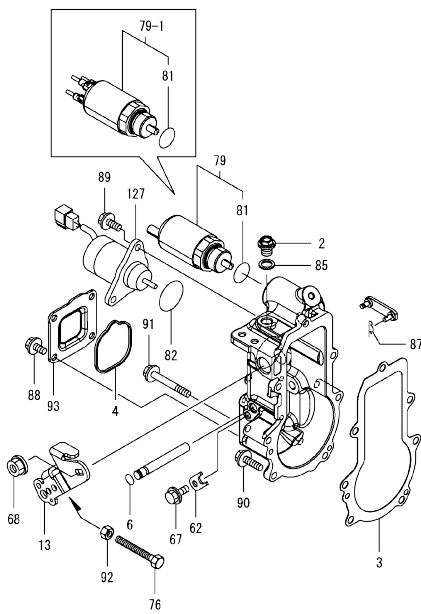


No.	Lev.	Parts No.	Description	Qty						I	R	
				(A)	(B)	(C)	(D)	(E)	(F)			
1	1	719E10-51340	FIE ASSY	1							1	
4	2	129155-51020	STUD	2								
8	2	122710-51090	KEY, FEATHER	1								
52	2	158600-51270	STOPPER, TAPPET	3								
53	2	129155-51280	O-RING, S6	3								
54	2	129155-51280	O-RING, S6	1								
61	2	129155-51400	PROTECTOR	1								
62	2	158600-51410	PLUG, DEFLIFTER M12	1								
63	2	119717-51420	O-RING	1								
64	2	158600-51420	PLUG, DEFLIFTER M16	1								
84	2	158600-51570	PLUG, RACK	1								
85	2	129155-51580	O-RING	1								
87	2	129155-51701	COVER, PUMP BOTTOM	1								
88	2	119717-51711	GASKET, PUMP	1								
89	2	119717-51750	COVER, BODY SIDE	1								
90	2	119717-51761	GASKET, PUMP COVER	1								
91	2	158600-51790	STOPPER, RACK	1								
93	2	22190-160002	WASHER, SEAL 16	1								
94	2	22217-120000	WASHER, SPRING 12	1								
95	2	22351-050010	PIN, SPRING 5.0X10	2								
99	2	26022-050122	SCREW, M5X12	8								
101	2	26716-120002	NUT, M12	1								
104	2	119717-51860	NUT, M6	2								
107	2	129155-52051	GASKET, PUMP COVER	1								
108	2	129100-52200	COVER, FEED PUMP	1								
110	1	119C10-51250	SUPPORT, FUEL PUMP	1								
110-1	1	119E10-51250	SUPPORT	1								N
		(A=E16526)										
111	1	26106-060142	BOLT, M6X 14 PLATED	1								
111-1	1	26106-060162	BOLT, M6X 16 PLATED	1								N
		(A=E16526)										
112	1	26106-080142	BOLT, M8X 14 PLATED	1								
112-1	1	26106-080162	BOLT, M8X 16 PLATED	1								N
		(A=E16526)										

Remarks

(1)Governor(Fig.11) is incorporated in this Fuel Injection Pump(No.1).

Fig.11. GOVERNOR



(A)=3TNV80F-SDKTF
(B)=
(C)=

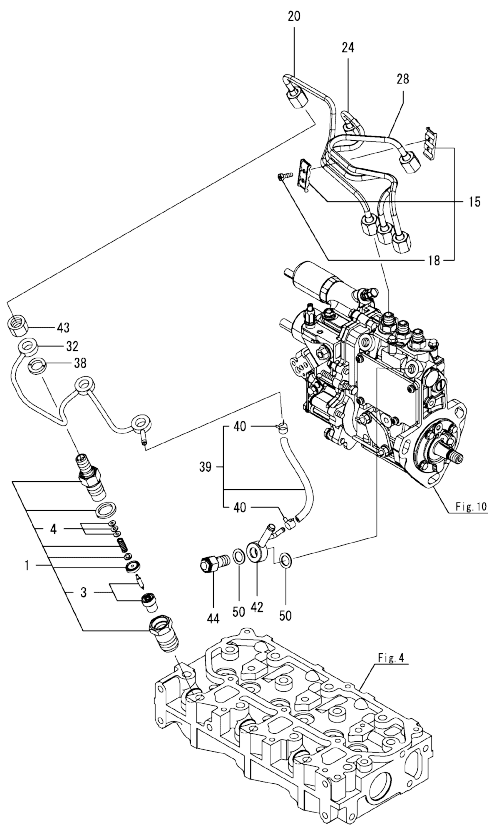
(D)=
(E)=
(F)=

No.	Lev.	Parts No.	Description	Q'ty						I	R
				(A)	(B)	(C)	(D)	(E)	(F)		
2	2	119717-51930	PLUG, M10	1							
3	2	119717-61050	GASKET, CASE	1							
4	2	119717-61070	GASKET, COVER	1							
6	2	129155-51280	O-RING, S6	1							
13	2	119515-61440	LEVER, CONTROL	1							
62	2	119660-61901	STOPPER, SHAFT	1							
67	2	26106-060102	BOLT, M6X 10 PLATED	1							
68	2	26366-080002	NUT, M8	1							
76	2	129155-61460	BOLT, IDLE LIMIT	1							
79	2	119C00-61900	SOLENOID, CONTROL	1							
79-1	2	119C00-61901	SOLENOID, POWER CONT	1							R
(A=2019.09)											
81	3	24357-240200	PACKING, 24020	1							
82	2	158552-61900	O-RING	1							
85	2	22190-100002	WASHER, SEAL 10	1							
87	2	22372-040000	PIN, SNAP 4	1							
88	2	26106-060102	BOLT, M6X 10 PLATED	4							
89	2	26106-060142	BOLT, M6X 14 PLATED	2							
90	2	26106-060202	BOLT, M6X 20 PLATED	4							
91	2	26106-060452	BOLT, M6X 45 PLATED	3							
92	2	26756-060002	NUT, LOCK M6	1							
93	2	119717-61060	COVER, GOVERNOR CASE	1							
127	2	119233-77932	SOLENOID, STOP	1							

Remarks

* This figure(Governor) is incorporated in the Fuel Injection Pump(Fig.10).

Fig.12. FUEL INJECTION VALVE



(A)=3TNV80F-SDKTF
(B)=
(C)=

(D)=
(E)=
(F)=

No.	Lev.	Parts No.	Description	Q'ty						I	R
				(A)	(B)	(C)	(D)	(E)	(F)		
1	1	119C10-53000	NOZZLE ASSY, F.I.	3							
3	2	119C10-53010	NOZZLE ASSY	3							
4	2	129901-53800	SHIM SET, ADJUSTING	3							1
15	1	129150-59120	RETAINER, PIPE	1							
18	2	129150-59131	BOLT, M4X14	2							
20	1	119E10-59810	PIPE ASSY,INJ.NO1	1							
24	1	119E10-59820	PIPE ASSY,INJ.NO2	1							
28	1	119E10-59830	PIPE ASSY,INJ.NO3	1							
32	1	119717-59510	PIPE ASSY, RETURN	1							
38	1	129901-59560	GASKET	3							
39	1	119540-59570	PIPE ASSY, RETURN	1							
40	2	124066-59100	CLIP, HOSE 8	2							
42	1	119840-59570	JOINT	1							
43	1	119620-59700	NUT, NOZZLE	3							
44	1	119813-59950	VALVE ASSY, CHECK	1							
50	1	22190-120002	WASHER, SEAL 12	2							

Remarks

(1)Spare parts.

Fig.13. FUEL FILTER

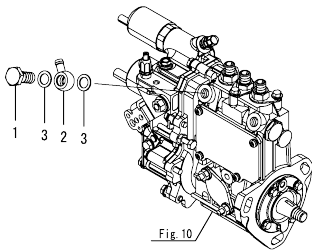
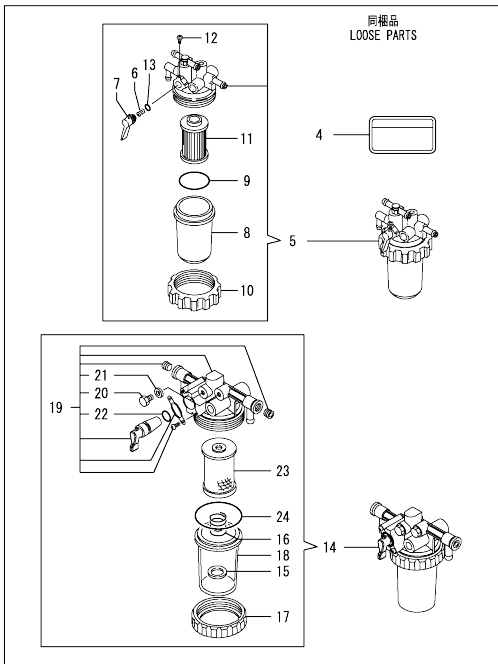


Fig.10

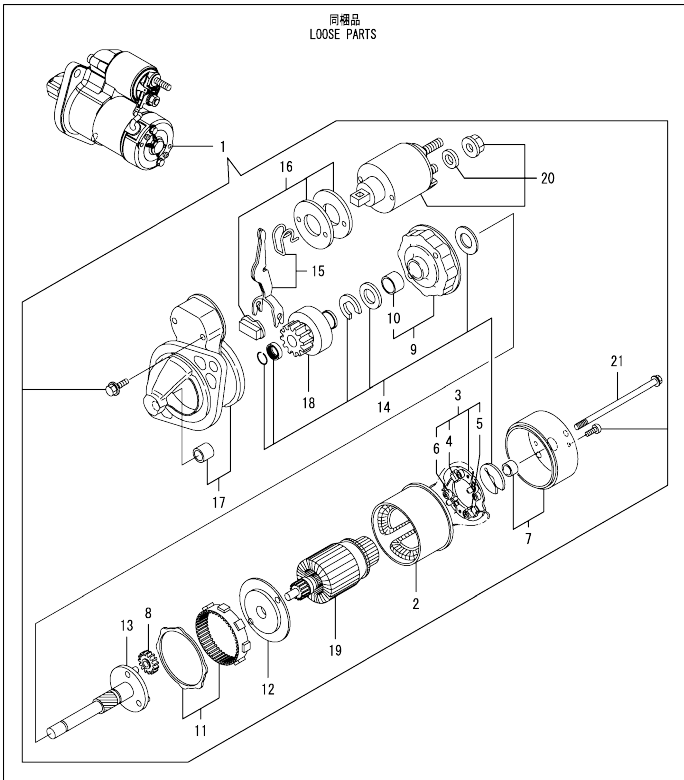


(A)=3TNV80F-SDKTF
(B)=
(C)=

(D)=
(E)=
(F)=

No.	Lev.	Parts No.	Description	Q'ty					
				(A)	(B)	(C)	(D)	(E)	(F)
1	1	103854-39140	BOLT, PIPE JOINT	1					
2	1	101304-59020	JOINT, PIPE 12	1					
3	1	22190-120002	WASHER, SEAL 12	2					
4	1	114110-07761	LABEL, FUEL OIL CAUT	1					
5	1	119740-55601	STRAINER ASSY	1					
6	2	104200-55330	SPRING, VALVE	1					
7	2	119810-55340	LEVER	1					
8	2	121254-55510	COVER	1					
9	2	102103-55520	O-RING	1					
10	2	110250-55610	RING, RETAINING	1					
11	2	119810-55650	ELEMENT	1					
12	2	104200-55750	SCREW, M4	1					
13	2	24311-240100	O-RING, 1AP10A	1					
14	1	129335-55750	SEPARATOR ASSY,WATER	1					
15	2	129053-55640	FLOAT	1					
16	2	129053-55650	SPRING, SCREEN	1					
17	2	119833-55660	RING, RETAINING	1					
18	2	129335-55740	CUP	1					
19	2	129335-55770	BODY ASSY	1					
20	3	129242-55750	VALVE, AIR VENT	1					
21	3	129242-55760	GASKET	1					
22	3	24311-000110	O-RING, 1AP11.0	1					
23	2	129335-55780	ELEMENT ASSY	1					
24	2	24311-000440	O-RING, 1AP44.0	1					

Fig.14. STARTING MOTOR

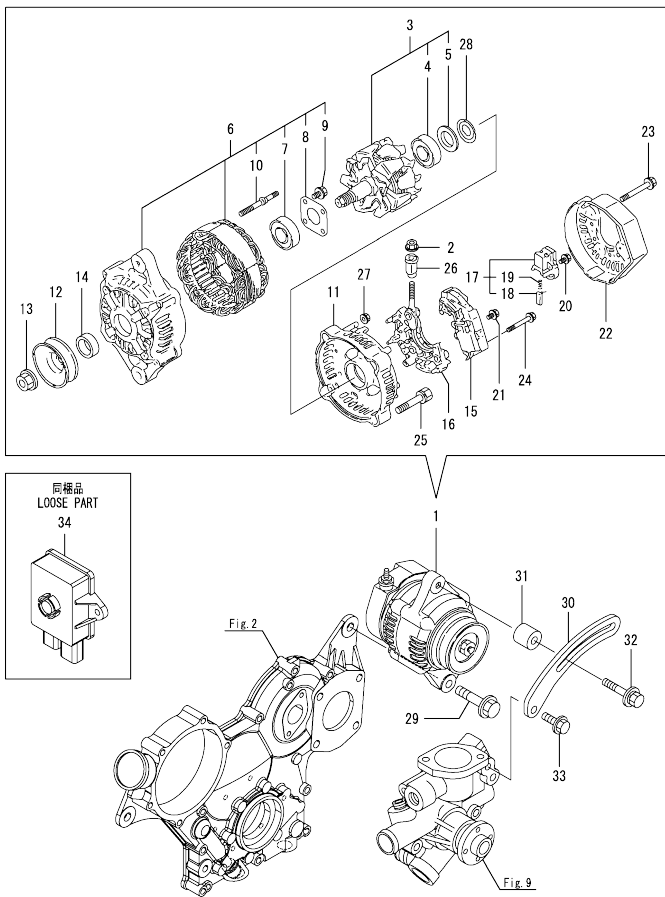


(A)=3TNV80F-SDKTF
(B)=
(C)=

(D)=
(E)=
(F)=

No.	Lev.	Parts No.	Description	Q'ty						I	R
				(A)	(B)	(C)	(D)	(E)	(F)		
1	1	119125-77010	STARTER ASSY, 1.2KW	1							
2	2	129698-77110	YOKE ASSY	1							
3	2	129698-77120	HOLDER ASSY, BRUSH	1							
4	3	129698-77130	BRUSH	2							
5	3	129698-77140	BRUSH SET	1							
6	3	129698-77150	SPRING, BRUSH	4							
7	2	129698-77161	COVER ASSY	1							
8	2	119125-77170	GEAR	3							
9	2	129698-77180	BRACKET	1							
10	3	129698-77190	BRACKET	1							
11	2	119125-77200	GEAR, INTERNAL	1							
12	2	119125-77210	BRACKET	1							
13	2	119125-77230	SHAFT, PINION	1							
14	2	129698-77250	WASHER SET	1							
15	2	119125-77270	LEVER SET, SHIFT	1							
16	2	119125-77280	COVER ASSY	1							
17	2	119125-77520	CASE ASSY, GEAR	1							
18	2	119125-77660	PINION ASSY	1							
19	2	119125-77710	ARMATURE ASSY	1							
20	2	119125-77760	SWITCH ASSY	1							
21	2	124195-77770	BOLT, THROUGH	2							

Fig.15. GENERATOR

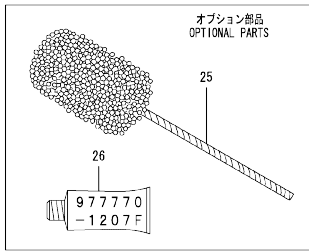
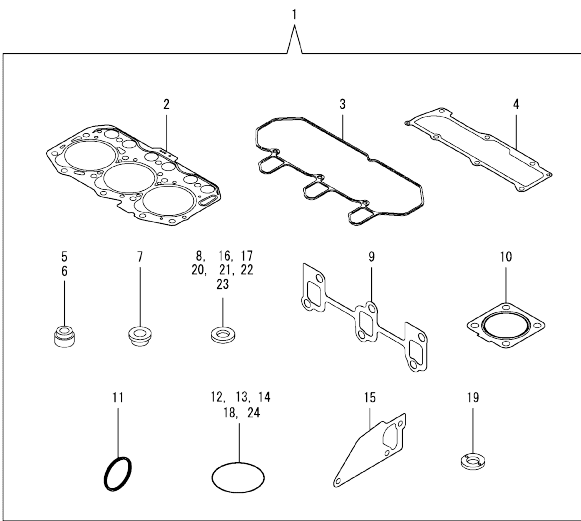


(A)=3TNV80F-SDKTF
(B)=
(C)=

(D)=
(E)=
(F)=

No.	Lev.	Parts No.	Description	Q'ty					
				(A)	(B)	(C)	(D)	(E)	(F)
1	1	129423-77200	GENERATOR, 12V-40A	1					
2	2	X9490561001	NUT	1					
3	2	119620-77380	ROTOR ASSY	1					
4	3	123501-79240	BEARING, BALL	1					
5	3	119620-79250	COVER	1					
6	2	119620-77421	FRAME ASSY, DRIVE	1					
7	3	119620-79200	BEARING, BALL	1					
8	3	119620-79210	PLATE, RETAINER	1					
9	3	119620-79220	SCREW	4					
10	3	119620-79230	STUD	2					
11	2	119620-77440	FRAME ASSY	1					
12	2	119620-77461	PULLEY	1					
13	2	119620-77471	NUT	1					
14	2	119620-77490	COLLAR	1					
15	2	129423-77710	REGULATOR ASSY	1					
16	2	119620-79260	HOLDER	1					
17	2	129052-79270	HOLDER, BRUSH	1					
18	3	119620-77480	BRUSH ASSY	2					
19	3	119620-79280	SPRING	2					
20	2	119620-79290	SCREW	6					
21	2	119620-79300	SCREW	1					
22	2	129240-79300	COVER	1					
23	2	119620-79310	BOLT	3					
24	2	119620-79320	SCREW	2					
25	2	119620-79330	BOLT	2					
26	2	119620-79340	BUSH, INSULATION	1					
27	2	119620-79350	NUT	2					
28	2	119620-79360	WASHER, THRUST	1					
29	1	26106-100452	BOLT, M10X 45 PLATED	1					
30	1	119515-77330	ADJUSTER	1					
31	1	124732-77340	SPACER	1					
32	1	129972-77341	BOLT, ADJUSTER L=50	1					
33	1	26106-080202	BOLT, M8X 20 PLATED	1					
34	1	119C10-77600	DRIVER	1					

Fig.16. GASKET SET



(A)=3TNV80F-SDKTF
(B)=
(C)=

(D)=
(E)=
(F)=

No.	Lev.	Parts No.	Description	Q'ty						I	R
				(A)	(B)	(C)	(D)	(E)	(F)		
1	1	719E21-92601	GASKET KIT	1							1
2	2	119E10-01330	GASKET SET, HEAD	1							
3	2	119718-11310	GASKET, BONNET	1							
4	2	119717-11331	GASKET	1							
5	2	119717-11340	SEAL, VALVE STEM	3							
6	2	119717-11350	SEAL, VALVE STEM	3							
7	2	129901-11450	PROTECTOR, NOZZLE	3							
8	2	119600-11460	GASKET, NOZZLE	6							
9	2	119717-13110	GASKET	1							
10	2	119515-13200	GASKET, SILENCER	1							
11	2	119C10-21930	PACKING, WASHER	1							
12	2	119624-32040	O-RING, P12.0	1							
13	2	119717-32050	O-RING, P17.0	3							
14	2	119717-32060	O-RING, P15.0	1							
15	2	119717-42020	GASKET, WATER PUMP	1							
16	2	124465-44950	GASKET, 16	1							
17	2	129150-49360	GASKET	1							
18	2	121850-51960	O-RING	1							
19	2	129901-59560	GASKET	3							
20	2	22190-080002	WASHER, SEAL 8	4							
21	2	22190-120002	WASHER, SEAL 12	4							
22	2	22190-160002	WASHER, SEAL 16	1							
23	2	23414-080000	GASKET, 8X1.0	1							
24	2	24311-000320	O-RING, 1AP32.0	2							
25	1	129400-92420	HONE	1							1
26	1	977770-1207F	GASKET.LIQUID	1							1

Remarks

(1)Optional parts.

Parts No. Index

Parts No.	Fig. No.	Ref. No.	Parts No.	Fig. No.	Ref. No.	Parts No.	Fig. No.	Ref. No.	Parts No.	Fig. No.	Ref. No.
101304-59020	13	2	119620-79250	15	5	119717-23601	7	28	119802-03131	4	42
102103-55520	13	9	119620-79260	15	16	119717-23611	7	31	119802-03141	4	43
103854-39140	13	1	119620-79280	15	19	119717-23910	7	30	119802-13620	5	4
104200-55330	13	6	119620-79290	15	20	119717-25050	6	9	119802-32130	2	16
104200-55750	13	12	119620-79300	15	21	119717-25101	6	10	119810-01200	1	26
105010-11490	4	3	119620-79310	15	23	119717-25911	6	21	119810-02941	1	35
105311-01090	1	4	119620-79320	15	24	119717-25930	6	15	119810-55340	13	7
105425-01690	3	8	119620-79330	15	25	119717-26000	6	17	119810-55650	13	11
110250-55610	13	10	119620-79340	15	26	119717-32050	2	20	119813-59950	12	44
114110-07761	13	4	119620-79350	15	27		16	13	119833-55660	13	17
114250-39450	8	11	119620-79360	15	28	119717-32060	8	5	119840-59570	12	42
119125-77010	14	1	119621-21681	7	12		16	14	119865-21600	7	10
119125-77170	14	8	119623-01250	1	5	119717-32080	2	10	119C00-61900	11	79
119125-77200	14	11	119624-32040	2	19	119717-32100	2	9	119C00-61901	11	79 -1
119125-77210	14	12		16	12	119717-32110	2	14	119C10-21650	7	11
119125-77230	14	13	119660-01640	3	2	119717-32120	2	15	119C10-21930	7	13
119125-77270	14	15	119660-01911	2	18	119717-34801	8	1		16	11
119125-77280	14	16	119660-61901	11	62	119717-35080	8	6	119C10-21940	7	14
119125-77520	14	17	119717-01570	2	2	119717-35140	8	3	119C10-42320	9	9
119125-77660	14	18	119717-01720	3	6	119717-39210	8	12	119C10-51250	10	110
119125-77710	14	19	119717-01750	2	17	119717-42020	9	13	119C10-53000	12	1
119125-77760	14	20	119717-01770	3	7		16	15	119C10-53010	12	3
119131-18320	5	5	119717-01800	2	7	119717-42031	9	3	119C10-77600	15	34
119233-77932	11	127	119717-02411	1	10	119717-42041	9	4	119E00-01560	1	1
119285-01990	1	6	119717-02930	1	23	119717-42350	9	17	119E10-01330	1	27
119285-11990	4	11	119717-03031	4	36	119717-44740	9	19		16	2
119305-35151	8	17	119717-03070	4	37	119717-49800	9	23	119E10-11100	4	13
119515-13200	5	7			38	119717-51150	6	16	119E10-11110	4	14
	16	10	119717-11131	4	15	119717-51420	10	63	119E10-11750	4	4
119515-61440	11	13	119717-11190	4	17	119717-51711	10	88	119E10-21590	7	8
119515-77330	15	30	119717-11200	4	21	119717-51750	10	89	119E10-21700	7	1
119540-59570	12	39	119717-11240	4	22	119717-51761	10	90	119E10-22080	7	16
119600-11460	4	2	119717-11260	4	25	119717-51860	10	104	119E10-22300	7	22
	16	8	119717-11320	4	46	119717-51930	11	2	119E10-22500	7	18
119620-01620	3	1	119717-11331	4	47	119717-59510	12	32	119E10-22550	7	34
119620-02020	1	7		16	4	119717-61050	11	3	119E10-22900	7	33
119620-11280	4	26	119717-11340	4	18	119717-61060	11	93	119E10-23000	7	24
119620-14200	6	1		16	5	119717-61070	11	4	119E10-42000	9	1
119620-59700	12	43	119717-11350	4	19	119717-77801	4	56	119E10-51250	10	110 -1
119620-77380	15	3		16	6	119717-77820	4	57	119E10-59810	12	20
119620-77421	15	6	119717-11381	4	35	119718-11310	4	45	119E10-59820	12	24
119620-77440	15	11	119717-11650	4	27		16	3	119E10-59830	12	28
119620-77461	15	12	119717-11800	4	58	119718-13100	5	1	121023-01551	2	42
119620-77471	15	13	119717-13110	5	2	119740-01501	2	1	121111-21501	7	7
119620-77480	15	18		16	9	119740-55601	13	5			39
119620-77490	15	14	119717-13600	5	3	119751-01521	2	5	121254-55510	13	8
119620-79200	15	7	119717-14400	6	2	119751-01590	2	3	121450-42450	9	26
119620-79210	15	8	119717-14581	6	3	119802-03100	4	39	121520-34810	8	2
119620-79220	15	9	119717-21200	7	4	119802-03110	4	40	121550-49111	9	25
119620-79230	15	10	119717-23200	7	27	119802-03121	4	41	121850-51960	2	21

Parts No. Index

Parts No.	Fig. No.	Ref. No.
121850-51960	16	18
122710-51090	10	8
123501-79240	15	4
124060-01050	1	11
124060-21600	7	40
124066-59100	12	40
124085-02220	3	4
124160-01751	2	29
	4	34
124160-01910	1	12
124195-77770	14	21
124240-01871	2	31
		35
124250-49351	9	28
124465-44950	9	27
	16	16
124732-77340	15	31
129001-32320	2	12
129001-32330	2	13
129005-59830	8	13
129052-79270	15	17
129053-55640	13	15
129053-55650	13	16
129100-01580	1	28
	7	2
129100-52200	10	108
129150-11230	4	28
129150-11750	4	30
129150-25301	6	14
129150-49360	9	29
	16	17
129150-59120	12	15
129150-59131	12	18
129155-51020	10	4
129155-51280	10	53
		54
	11	6
129155-51400	10	61
129155-51580	10	85
129155-51701	10	87
129155-52051	10	107
129155-61460	11	76
129240-79300	15	22
129242-55750	13	20
129242-55760	13	21
129335-55740	13	18
129335-55750	13	14
129335-55770	13	19
129335-55780	13	23
129350-26490	6	19

Parts No.	Fig. No.	Ref. No.
129350-49530	9	22
129400-92420	16	25
129423-77200	15	1
129423-77710	15	15
129508-11180	4	16
129698-77110	14	2
129698-77120	14	3
129698-77130	14	4
129698-77140	14	5
129698-77150	14	6
129698-77161	14	7
129698-77180	14	9
129698-77190	14	10
129698-77250	14	14
129900-07900	4	54
129900-32130	2	11
129901-11450	4	1
	16	7
129901-53800	12	4
129901-59560	12	38
	16	19
129916-49740	9	10
129972-77341	15	32
129C26-01890	2	32
		36
158552-61900	11	82
158600-51270	10	52
158600-51410	10	62
158600-51420	10	64
158600-51570	10	84
158600-51790	10	91
171353-44760	9	20
22190-080002	2	33
		37
	8	14
		16
	16	20
22190-100002	11	85
22190-120002	12	50
	13	3
	16	21
22190-160002	3	10
	10	93
	16	22
22217-120000	10	94
22242-000120	4	31
22252-000220	7	23
22351-050010	10	95
22351-060012	4	20
22372-040000	11	87

Parts No.	Fig. No.	Ref. No.
22512-040120	7	5
		15
22857-500100	4	48
		49
22857-500160	4	50
23414-080000	9	14
	16	23
23857-030000	8	15
23876-005000	4	12
23876-030000	2	6
24101-062024	2	8
24104-060054	6	20
24311-000110	13	22
24311-000320	2	30
	4	51
	16	24
24311-000440	13	24
24311-240100	13	13
24341-000240	2	43
24357-240200	11	81
25132-003700	9	18
26022-050122	10	99
26106-060102	8	10
	11	67
		88
26106-060122	2	22
	6	8
26106-060142	10	111
	11	89
26106-060162	2	23
		44
	10	111 -1
26106-060202	4	52
	11	90
26106-060222	3	5
26106-060352	6	13
26106-060402	2	24
		25
	9	21
26106-060452	11	91
26106-060602	2	26
26106-060652	2	27
26106-060752	4	53
26106-080122	2	34
	3	11
	9	15
26106-080142	2	38
	10	112
26106-080162	4	55
	10	112 -1

Parts No.	Fig. No.	Ref. No.
26106-080202	9	24
	15	33
26106-080302	3	12
26106-080402	4	33
26106-080452	3	13
26106-080502	3	14
	9	16
26106-080702	2	39
26106-100452	15	29
26306-080002	2	28
		40
		41
	5	6
26366-080002	11	68
26577-060122	9	11
26716-120002	10	101
26756-060002	11	92
26979-050162	4	32
27241-120000	1	13
27241-250000	9	12
719717-02901	1	29
719717-02911	1	32
719751-01500	2	4
719E10-51340	10	1
719E21-92601	16	1
977770-1207F	16	26
X9490561001	15	2