

0CV10-M81700EN

# P R E F A C E

1. This Parts Catalog carries all parts incorporated in YANMAR Model 3TNE82A—EPM engine manufactured since September, 2001.
2. Each illustration corresponds to the parts list on the following page.
3. When ordering parts, clearly write down the engine model and serial number, as well as the name and number of each part in your order sheet. This will help insure reliable delivery of the parts you have ordered.

## Directions for the Parts Catalog.

1. This Parts Catalog shows both standard and optional parts.
2. Parts may change without prior notice.
3. The following is an example of the Parts Catalog format.

REF.	LEV.	PARTS NO.	DESCRIPTION	Q'TY						I	R
				(A)	(B)	(C)	(D)	(E)	(F)		
1	1	729595-51390	FUEL INJECTION PUMP	1	1	1	1	1			1
1-1	1	729595-51391	FUEL INJECTION PUMP	1	1	1	1	1		N	1
		(A=E00185) (B=E00200)									
3	2	26022-060162	SCREW M 6X 16	9	9	9	9	9			
3-1	2	26022-060162	SCREW M 6X 16	4	4	4	4	4		K	
		(A=E00156) (B=E00156) (C=E00156) (D=E00156) (E=E00156)									
4	2	129470-51040	CAMSHAFT	1	1	1	1	1			
5	2	122710-51050	BEARING, ROLLER	2	2	2	2	2			
6	2	129470-51060	RETAINER	1	1	1	1	1			

Remarks
(1) BOOST COMPEMSATOR TYPE. OPTIONAL PART, TO E00155,(4JH-DT, 4JH-DTZ

### ① Ref. No.

The Ref. No. listed may not be in accordance with the illustration Ref. No.

(Ex.) Illustration No. List Ref No.

1 1 (Before change) → 1-1 (After change)

For interchangeable symbols N, R and K, illustrations for new parts may be abbreviated.

### ② Lev. (Level)

Level indication

The numbers below indicate the level of relativity towards the main part.

1 ---- Main parts (Assembly parts)

2 ---- Sub component included in " 1 ".

3 ---- Sub component included in " 2 ".

Note) Parts that are not for sale are partially illustrated but not listed.

### ③ Interchangeability Symbol

When a part change takes place, one of the following interchangeability symbols is indicated beside the part.

Symbol	Interchangeability	Contents note
N	Old $\begin{matrix} \leftarrow \text{Yes} \\ \text{No} \rightarrow \end{matrix}$ New	New Part is interchangeable for Old Part but Old Part is not interchangeable for New Part.
Q	Old $\begin{matrix} \leftarrow \text{No} \\ \text{Yes} \rightarrow \end{matrix}$ New	New Part is not interchangeable for Old Part but Old Part is interchangeable for New Part.
R	Old $\begin{matrix} \leftarrow \text{Yes} \\ \text{Yes} \rightarrow \end{matrix}$ New	New/ Old Parts are both interchangeable.
S	Old $\begin{matrix} \leftarrow \text{No} \\ \text{No} \rightarrow \end{matrix}$ New	New/ Old Parts are both not interchangeable.
W		Part newly added.
Z		Part discontinued.
F		Not interchangeable by a single part but interchangeable together with related parts.
K		Changes only for used parts quantities.

### ④ Effective Machine No.

When a part changes, the effective Machine No. will be indicated in the (A)-(F) column.

Product Symbol	Product No.	Product Symbol	Product No.
C	Clutch No. Compressor No.	F	Machine No. (Agricultural Equip.)
D	Drive No.	M	Machine No.
E	Engine No.		

Note 1) A date may follow the symbol. (Ex.) 1996.01

Note 2) "XXXXX" and "ZZZZZ" are for parts that could not be predicted or for engine models that could not be identified.

Note 3) (A=E00185) is the E (Engine Serial Number) for the column (A) model (in this case 4JH-DT) after the parts design change.

### ⑤ Remarks

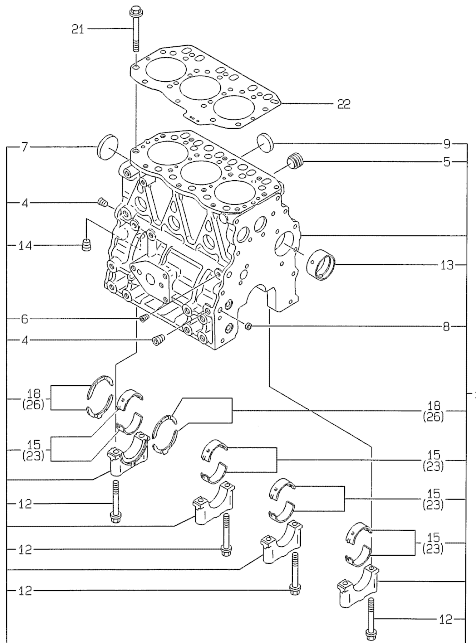
Figures or alphabets (symbols) are entered in the remarks column.

The comments (remarks) on parts that are indicated at the bottom of the illustration are the same symbols as those stated above.

## Contents

Fig. No.	Fig. Name	Fig. No.	Fig. Name
	3TNE82A-EPM		
1.	CYLINDER BLOCK		
2.	GEAR HOUSING		
3.	FLYWHEEL HOUSING & OIL SUMP		
4.	CYLINDER HEAD & BONNET		
5.	SUCTION MANIFOLD		
6.	EXHAUST MANIFOLD		
7.	CAMSHAFT & DRIVING GEAR		
8.	CRANKSHAFT & PISTON		
9.	LUB.OIL SYSTEM		
10.	COOLING WATER SYSTEM		
11.	FUEL INJECTION PUMP		
12.	GOVERNOR		
13.	FUEL INJECTION VALVE		
14.	FUEL LINE		
15.	STARTING MOTOR		
16.	GENERATOR		
17.	GASKET SET		

Fig.1. CYLINDER BLOCK



(A)=3TNE82A-EPM  
(B)=  
(C)=

(D)=  
(E)=  
(F)=

No.	Lev.	Parts No.	Description	Q'ty						I	R
				(A)	(B)	(C)	(D)	(E)	(F)		
1	1	719813-01560	BLOCK ASSY, CYLINDER	1							
4	2	124160-01910	PLUG, PT1/4		2						
5	2	171051-01921	PLUG, NPTF1		1						
6	2	23876-010000	PLUG, R01		1						
7	2	129001-01250	PLUG, 50		1						
8	2	27241-120000	PLUG, 12		2						
9	2	27241-300000	PLUG 30		6						
12	2	119620-02020	BOLT, METAL CAP		8						
13	2	129795-02411	BUSH, CAMSHAFT		1						
14	2	124160-01910	PLUG, PT1/4		1						
15	2	119810-02800	BEARING, MAIN		4						
18	2	119810-02930	BEARING, THRUST		1						
21	1	119810-01200	BOLT, HEAD		14						
22	1	119812-01330	GASKET, HEAD		1						
23	1	119810-02870	BEARING, 0.25 US		4						1
26	1	119810-02940	BEARING, THRUST 0.25		2						2

Remarks

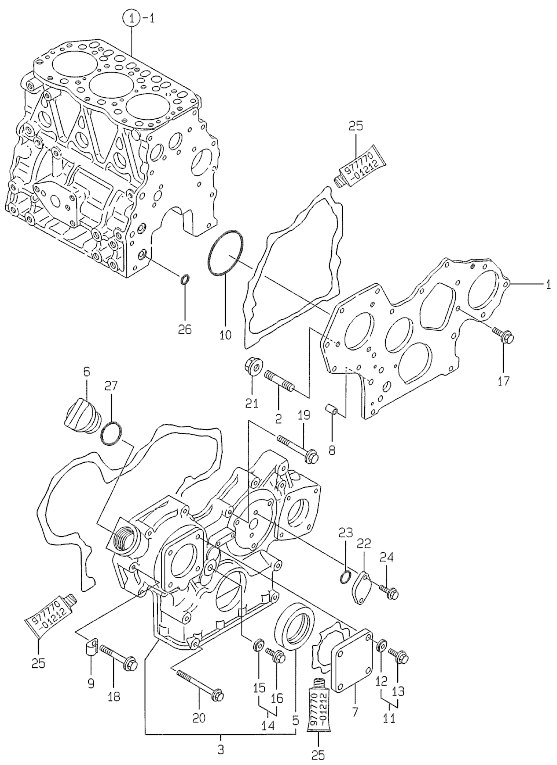
- (1) UNDER-SIZE(U.S=0.25)PART.
- (2) OVER-SIZE(O.S=0.25)PART.

Fig.2. GEAR HOUSING

(A)=3TNE82A-EPM  
(B)=  
(C)=

(D)=  
(E)=  
(F)=

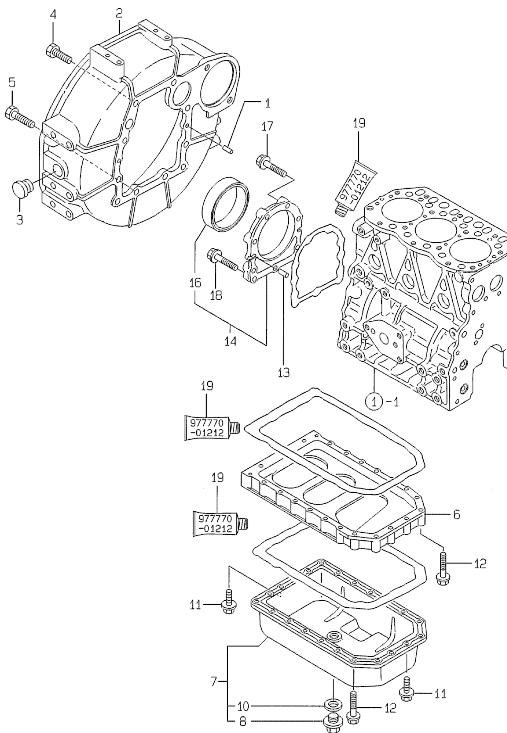
No.	Lev.	Parts No.	Description	Q'ty						I	R
				(A)	(B)	(C)	(D)	(E)	(F)		
1	1	171353-01520	FLANGE, GEAR CASE	1							
2	1	121450-01560	STUD, M8X22		3						
3	1	171353-01580	CASE ASSY, GEAR	1							
5	2	129795-01800	SEAL, OIL	1							
6	1	124160-01751	COVER, FILLER	1							
7	1	124240-01871	COVER	1							
8	1	129795-01950	PIPE, KNOCK L=18	2							
9	1	129150-03100	RETAINER, PIPE	1							
10	1	121850-51960	O-RING	1							
11	1	124550-01590	BOLT, M8X16	4							
12	2	22190-080003	WASHER, SEAL 8	4							
13	2	26106-080162	BOLT, M8X 16 PLATED	4							
14	1	124550-01590	BOLT, M8X16	1							
15	2	22190-080003	WASHER, SEAL 8	1							
16	2	26106-080162	BOLT, M8X 16 PLATED	1							
17	1	26106-080162	BOLT, M8X 16 PLATED	3							
18	1	26106-080452	BOLT, M8X 45 PLATED	6							
19	1	26106-080552	BOLT, M8X 55 PLATED	3							
20	1	129001-91841	BOLT, M8X85	4							
21	1	26306-080002	NUT, M8	3							
22	1	121023-01550	COVER	1							
23	1	24341-000240	O-RING, 1AS24.0	1							
24	1	26106-060162	BOLT, M6X 16 PLATED	2							
25	1	977770-01212	GASKET, LIQUID	1							1
26	1	119609-32040	O-RING, P16	2							
27	1	24311-000320	O-RING, 1AP32.0	1							



Remarks  
(1) OPTIONAL PART.

N:Old  $\frac{100}{100}$  New, Q:Old  $\frac{100}{100}$  New, R:Old  $\frac{100}{100}$  New, S:Old  $\frac{100}{100}$  New, W:Add, Z:Discontinued, F:Interchangeable by set, K:Q'ty Change  
Copyright (C) YANMAR CO., LTD. All Rights Reserved.

Fig.3. FLYWHEEL HOUSING & OIL SUMP



(A)=3TNE82A-EPM  
(B)=  
(C)=

(D)=  
(E)=  
(F)=

No.	Lev.	Parts No.	Description	Q'ty						I	R	
				(A)	(B)	(C)	(D)	(E)	(F)			
1	1	129100-01580	PIN, M8X16	2								
2	1	119888-01600	HOUSING, FLYWHEEL	1								
3	1	119620-01750	CAP	1								
4	1	26206-100252	BOLT, M10X 25 PLATED	6								
5	1	26206-100302	BOLT, M10X 30 PLATED	4								
6	1	119810-01730	SPACER, OIL SUMP	1								
7	1	119810-01790	SUMP ASSY, OIL	1								
8	2	119640-01640	PLUG, DRAIN M22	1								
10	2	22190-220002	WASHER, SEAL 22	1								
11	1	26106-080162	BOLT, M8X 16 PLATED	6								
12	1	26106-080452	BOLT, M8X 45 PLATED	22								
13	1	129100-01580	PIN, M8X16	2								
14	1	719810-01650	CASE ASSY, OIL SEAL	1								
16	2	119810-01780	SEAL, 769310	1								
17	1	129486-01670	BOLT, M8X30	6								
18	1	26106-080352	BOLT, M8X 35 PLATED	3								
19	1	977770-01212	GASKET, LIQUID	1								1

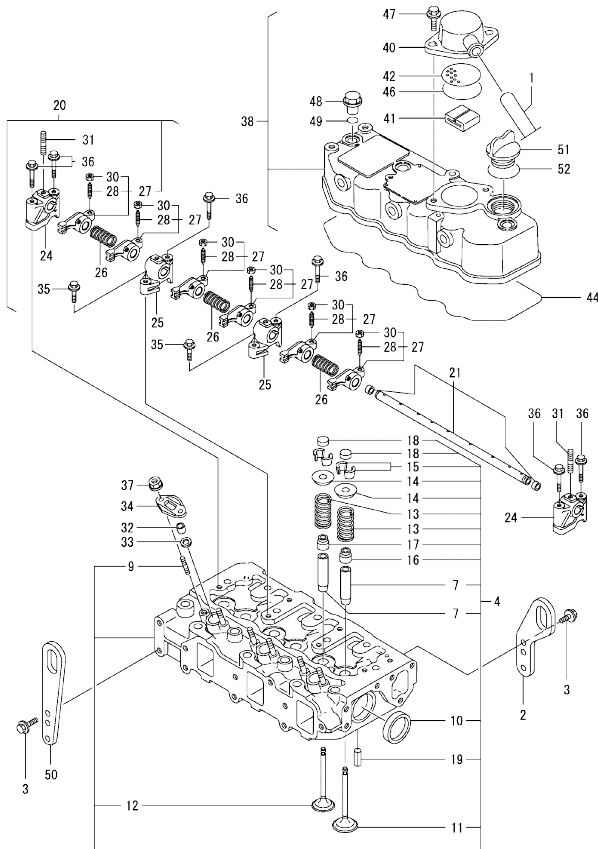
Remarks  
(1) OPTIONAL PART.

N:Old  $\frac{100}{100}$  New, Q:Old  $\frac{100}{100}$  New, R:Old  $\frac{100}{100}$  New, S:Old  $\frac{100}{100}$  New, W:Add, Z:Discontinued, F:Interchangeable by set, K:Q'ty Change  
Copyright (C) YANMAR CO., LTD. All Rights Reserved.

Fig.4. CYLINDER HEAD & BONNET

(A)=3TNE82A-EPM  
(B)=  
(C)=

(D)=  
(E)=  
(F)=



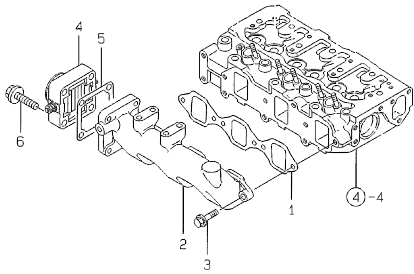
No.	Lev.	Parts No.	Description	(A)	(B)	(C)	(D)	(E)	(F)	I	R
1	1	171350-03090	PIPE , BREATHER 900								
2	1	129486-07901	LIFTER								
3	1	26106-080162	BOLT, M8X 16 PLATED								
4	1	119812-11700	HEAD ASSY, CYLINDER								1
7	2	124060-11800	GUIDE, VALVE								
9	2	26216-060302	STUD, M6X 30								
10	2	27241-400000	PLUG, 40								
11	2	119810-11100	VALVE, INTAKE								
12	2	119810-11110	VALVE, EXHAUST								
13	2	119810-11120	SPRING, VALVE								
14	2	104211-11180	RETAINER, SPRING								
15	2	27310-070001	COTTER, 7								
16	2	124160-11340	SEAL, VALVE STEM								
17	2	124950-11340	SEAL, VALVE STEM								
18	2	104211-11370	CAP, VALVE								
19	2	22351-060012	PIN, SPRING 6.0X12								
20	1	119865-11210	SUPPORT ASSY								
21	2	119810-11240	SHAFT ASSY, ROCKER								
24	2	129155-11260	SUPPORT, ROCKER ARM								
25	2	129155-11270	SUPPORT, ROCKER ARM								
26	2	129150-11280	SPRING								
27	2	719810-11660	ARM ASSY, ROCKER								
28	3	129150-11230	SCREW, VALVE ADJUST								
30	3	129150-11750	NUT, M8								
31	2	26228-080182	STUD, M8X 18								
32	1	119625-11870	PROTECTOR, NOZZLE								
33	1	119625-11880	SEAT, NOZZLE								
34	1	119625-11900	RETAINER, NOZZLE								
35	1	26106-080252	BOLT, M8X 25 PLATED								
36	1	26106-080502	BOLT, M8X 50 PLATED								
37	1	26366-060002	NUT, M6								
38	1	719810-11521	BONNET ASSY, HEAD								
40	2	129150-03020	COVER, BREATHER								
41	2	129150-03070	BAFFLE, BREATHER								
42	2	129150-03080	PLATE, BAFFLE								
44	2	119865-11310	GASKET, BONNET								
46	2	24341-000500	O-RING, 1AS50.0								
47	2	26106-080162	BOLT, M8X 16 PLATED								
48	1	124160-11360	KNOB								
49	1	24311-000120	O-RING, 1AP12.0								
50	1	129900-07900	LIFTER								
51	1	124160-01751	COVER, FILLER								
52	1	24311-000320	O-RING, 1AP32.0								

Remarks  
(1) REPAIR PART.

N:Old  $\frac{100}{100}$  New, Q:Old  $\frac{100}{100}$  New, R:Old  $\frac{100}{100}$  New, S:Old  $\frac{100}{100}$  New, W:Add, Z:Discontinued, F:Interchangeable by set, K:Qty Change  
Copyright (C) YANMAR CO., LTD. All Rights Reserved.



Fig.5. SUCTION MANIFOLD

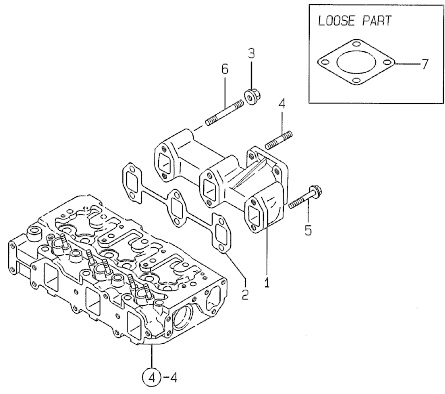


(A)=3TNE82A-EPM  
(B)=  
(C)=

(D)=  
(E)=  
(F)=

No.	Lev.	Parts No.	Description	Q'ty					
				(A)	(B)	(C)	(D)	(E)	(F)
1	1	119810-12111	GASKET, MANIFOLD	1					
2	1	171301-12701	MANIFOLD, AIR INTAKE	1					
3	1	26106-080252	BOLT, M8X 25 PLATED	4					
4	1	129120-77501	HEATER	1					
5	1	129150-77511	GASKET	1					
6	1	26106-080352	BOLT, M8X 35 PLATED	4					

Fig.6. EXHAUST MANIFOLD



(A)=3TNE82A-EPM  
(B)=  
(C)=

(D)=  
(E)=  
(F)=

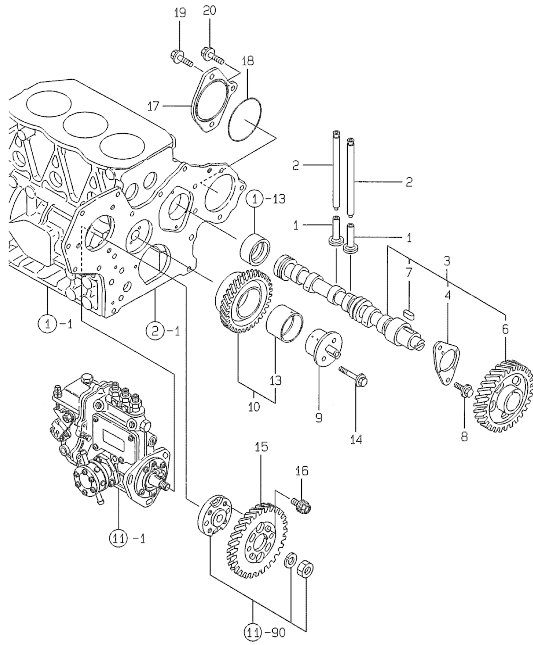
No.	Lev.	Parts No.	Description	Q'ty					
				(A)	(B)	(C)	(D)	(E)	(F)
1	1	119810-13100	MANIFOLD, EXHAUST	1					
2	1	119810-13110	GASKET	1					
3	1	26306-080002	NUT, M8	2					
4	1	119131-18320	STUD, M8X22	4					
5	1	26106-080602	BOLT, M8X 60 PLATED	4					
6	1	26216-080602	STUD, M8X 60	2					
7	1	124701-11911	GASKET, SILENCER	1					

Fig.7. CAMSHAFT & DRIVING GEAR

(A)=3TNE82A-EPM  
(B)=  
(C)=

(D)=  
(E)=  
(F)=

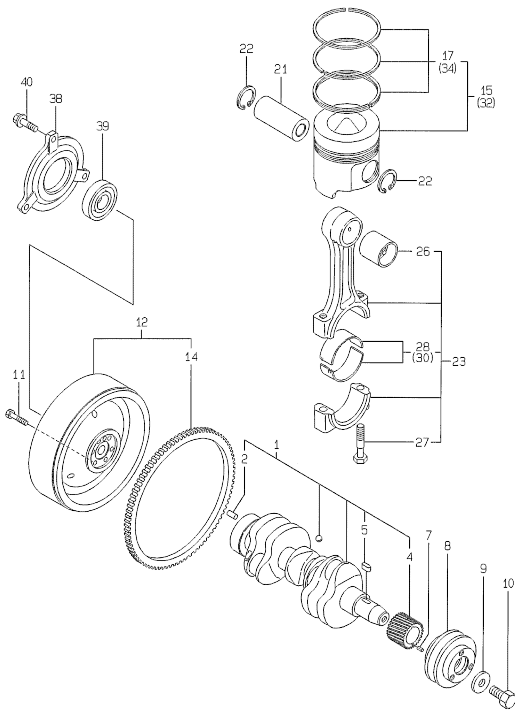
No.	Lev.	Parts No.	Description	Q'ty						I	R
				(A)	(B)	(C)	(D)	(E)	(F)		
1	1	129150-14200	TAPPET	6							
2	1	119810-14400	ROD, PUSH	6							
3	1	119810-14580	CAMSHAFT ASSY	1							
4	2	129150-02450	BEARING, THRUST	1							
6	2	129150-14101	GEAR, CAMSHAFT	1							
7	2	22512-070140	KEY, 7X 14	1							
8	1	26106-080142	BOLT, M8X 14 PLATED	2							
9	1	129100-25061	SHAFT, IDLE	1							
10	1	129150-25101	GEAR ASSY, IDLE	1							
13	2	129150-25920	BUSH, IDLE GEAR	1							1
14	1	26106-080452	BOLT, M8X 45 PLATED	2							
15	1	129150-25931	GEAR, PUMP	1							
16	1	129150-25301	BOLT	4							
17	1	129430-26070	COVER	1							
18	1	24321-000800	O-RING, 1AG80.0	1							
19	1	26106-100302	BOLT, M10X 30 PLATED	2							
20	1	26106-080252	BOLT, M8X 25 PLATED	1							



Remarks  
(1) REPAIR PART.

N:Old  $\frac{100}{100}$  New, Q:Old  $\frac{100}{100}$  New, R:Old  $\frac{100}{100}$  New, S:Old  $\frac{100}{100}$  New, W:Add, Z:Discontinued, F:Interchangeable by set, K:Qty Change  
Copyright (C) YANMAR CO., LTD. All Rights Reserved.

Fig.8. CRANKSHAFT & PISTON



(A)=3TNE82A-EPM  
(B)=  
(C)=

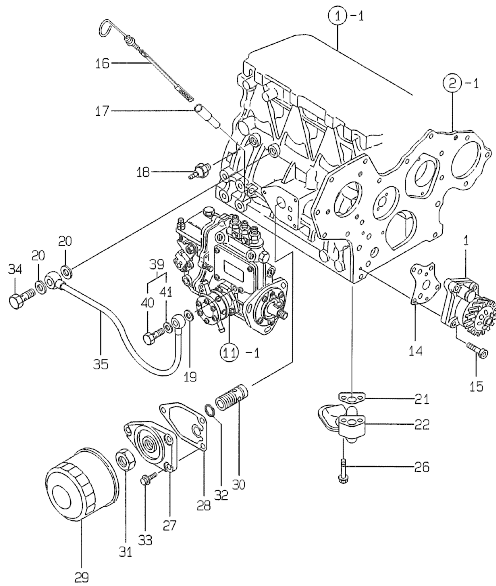
(D)=  
(E)=  
(F)=

No.	Lev.	Parts No.	Description	Q'ty						I	R
				(A)	(B)	(C)	(D)	(E)	(F)		
1	1	119813-21000	CRANKSHAFT ASSY	1							
2	2	129100-01580	PIN, M8X16	1							
4	2	129150-21200	GEAR, CRANKSHAFT	1							
5	2	22512-070140	KEY, 7X 14	1							
7	1	22351-040010	PIN, SPRING 4.0X10	1							
8	1	171301-21650	V-PULLEY	1							
9	1	129795-21661	WASHER	1							
10	1	121850-21680	BOLT	1							
11	1	121111-21501	BOLT, FLYWHEEL	6							
12	1	119888-21590	FLYWHEEL ASSY	1							
14	2	119865-21600	GEAR, RING	1							
15	1	119813-22080	PISTON ASSY	3							
17	2	119813-22500	RING SET, PISTON	3							
21	1	119813-22300	PIN, PISTON	3							
22	1	129792-22400	CIRCLIP, 23	6							
23	1	719810-23100	ROD ASSY, CONNECTING	3							
26	2	119810-23910	BEARING, PISTON PIN	3							1
27	2	119810-23200	BOLT, CONNECTING ROD	6							
28	2	119810-23600	BEARING, CRANK PIN	3							
30	1	119810-23610	BEARING, 0.25 US	3							2
32	1	119813-22900	PISTON ASSY, 0.25 OS	3							3
34	2	129003-22950	RING SET, 0.25 OS	3							
38	1	119888-21450	RETAINER, BEARING	1							
39	1	24104-062054	BEARING, BALL 6205UU	1							
40	1	26106-080222	BOLT, M8X 22 PLATED	3							

Remarks

- (1) REPAIR PART.
- (2) UNDER-SIZE(U.S=0.25)PART.
- (3) OVER-SIZE(O.S=0.25)PART.

Fig.9. LUB.OIL SYSTEM



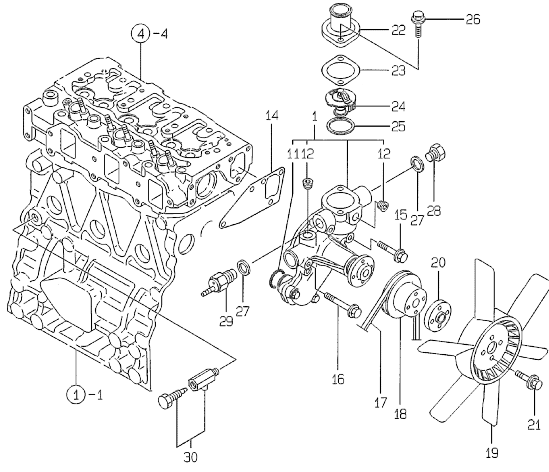
No.	Lev.	Parts No.	Description	Q'ty						I	R
				(A)	(B)	(C)	(D)	(E)	(F)		
1	1	129001-32001	PUMP ASSY, OIL	1							
14	1	129150-32020	GASKET, PUMP	1							
15	1	26450-060252	BOLT, M6X 25	4							
16	1	119600-34800	DIPSTICK, OIL	1							
17	1	121520-34810	GUIDE, DIPSTICK	1							
18	1	114250-39450	SWITCH, 0.5KG	1							
19	1	22190-080002	WASHER, SEAL 6	1							
20	1	22190-100002	WASHER, SEAL 10	2							
21	1	129150-35041	GASKET	1							
22	1	119810-35401	PIPE ASSY, OIL INLET	1							
26	1	26106-080352	BOLT, M8X 35 PLATED	2							
27	1	129150-35101	BRACKET, STRAINER	1							
28	1	129150-35111	GASKET	1							
29	1	129150-35151	FILTER, D80XL80	1							
30	1	129001-35300	BOLT, FILTER	1							
31	1	129150-35350	NUT	1							
32	1	24311-000160	O-RING, 1AP16.0	1							
33	1	26106-080202	BOLT, M8X 20 PLATED	3							
34	1	124160-39140	BOLT, PIPE JOINT M10	1							
35	1	119810-39200	PIPE ASSY, OIL	1							
39	1	124550-59830	BOLT ASSY, JOINT M8	1							
40	2	124550-59820	BOLT, PIPE JOINT M8	1							
41	2	22190-080002	WASHER, SEAL 6	1							

N:Old  $\frac{New}{Old}$  New, Q:Old  $\frac{New}{Old}$  New, R:Old  $\frac{New}{Old}$  New, S:Old  $\frac{New}{Old}$  New, W:Add, Z:Discontinued, F:Interchangeable by set, K:Qty Change  
 Copyright (C) YANMAR CO., LTD. All Rights Reserved.

Fig.10. COOLING WATER SYSTEM

(A)=3TNE82A-EPM  
(B)=  
(C)=

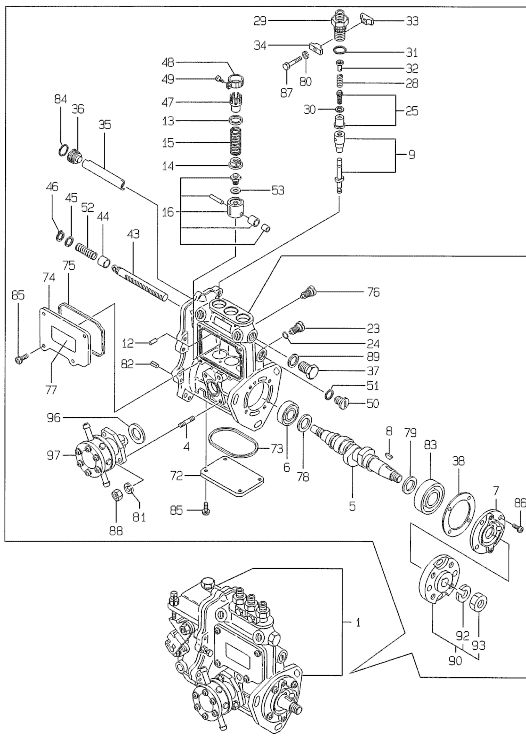
(D)=  
(E)=  
(F)=



No.	Lev.	Parts No.	Description	Q'ty						I	R
				(A)	(B)	(C)	(D)	(E)	(F)		
1	1	119810-42001	PUMP ASSY, WATER	1							
11	2	129150-42320	O-RING	1							
12	2	23876-030000	PLUG, R03	2							
14	1	129486-42050	GASKET, WATER PUMP	1							
15	1	26106-080352	BOLT, M8X 35 PLATED	1							
16	1	26106-080552	BOLT, M8X 55 PLATED	3							
17	1	25132-003700	V-BELT, A37	1							
18	1	129403-42380	V-PULLEY, D=110	1							
19	1	119620-44741	FAN, COOLING D310	1							
20	1	124574-44761	SPACER, FAN	1							
21	1	26014-060252	BOLT, M6X 25	4							
22	1	129350-49530	COVER, THERMOSTAT	1							
23	1	129795-49551	GASKET	1							
24	1	129155-49800	THERMOSTAT, 71	1							
25	1	129150-49811	GASKET, THERMOSTAT	1							
26	1	26106-080222	BOLT, M8X 22 PLATED	2							
27	1	124465-44950	GASKET, 16	2							
28	1	121450-42450	PLUG, M16	1							
29	1	121250-44901	SWITCH, 110	1							
30	1	119620-49290	COCK ASSY, 1/4	1							

N:Old  $\frac{100}{100}$  New, Q:Old  $\frac{100}{100}$  New, R:Old  $\frac{100}{100}$  New, S:Old  $\frac{100}{100}$  New, W:Add, Z:Discontinued, F:Interchangeable by set, K:Q'ty Change  
Copyright (C) YANMAR CO., LTD. All Rights Reserved.

Fig.11. FUEL INJECTION PUMP

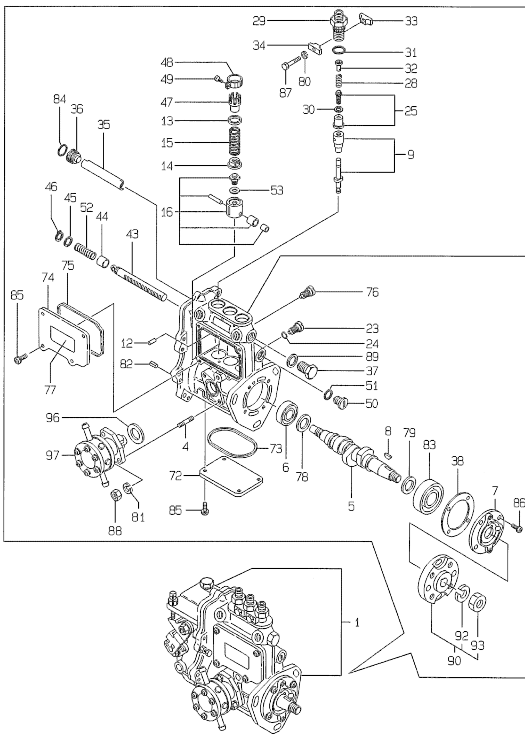


Remarks  
 (1) GOVERNOR ASSY(FIG.12) IS  
 INCORPORATED IN THIS FOP.CMP  
 (REF.NO.1).

No.	Lev.	Parts No.	Description	Q'ty						I	R
				(A)	(B)	(C)	(D)	(E)	(F)		
1	1	719823-51460	PUMP ASSY, INJECTION	1							1
4	2	129155-51020	STUD	2							
5	2	129171-51040	CAMSHAFT	1							
6	2	129155-51050	BEARING, 17BM001D	1							
7	2	129208-51060	SUPPORT	1							
8	2	122710-51090	KEY	1							
9	2	129108-51100	PLUNGER ASSY	3							
12	2	129155-51140	PIN	3							
13	2	174307-51170	RETAINER, SPRING A	3							
14	2	129155-51180	RETAINER, SPRING	3							
15	2	124950-51190	SPRING, PLUNGER	3							
16	2	129155-51200	TAPPET ASSY	3							
23	2	129155-51270	STOPPER, TAPPET	3							
24	2	129155-51280	O-RING, S6	3							
25	2	129208-51300	VALVE ASSY, DELIVERY	3							
28	2	129573-51330	SPRING, DELIVERY	3							
29	2	129573-51340	RETAINER	3							
30	2	124550-51350	GASKET, DELIVERY	3							
31	2	124550-51370	O-RING	3							
32	2	129573-51370	STOPPER, VALVE	3							
33	2	129155-51380	STOPPER	2							
34	2	129155-51390	STOPPER	2							
35	2	129155-51400	DEFLECTOR	1							
36	2	129155-51410	BOLT	1							
37	2	129155-51420	PLUG, M16	1							
38	2	129155-51450	SHIM SET, ADJUSTING	1							
43	2	129155-51500	RACK, CONTROL	1							
44	2	129155-51521	BUSH, RACK	1							
45	2	129155-51530	SPACER	1							
46	2	129155-51540	CIRCLIP	1							
47	2	129155-51550	PINION, CONTROL	3							
48	2	129100-51560	PINION	3							
49	2	129100-51570	SCREW	3							
50	2	129155-51570	PLUG, M12	1							
51	2	129155-51580	O-RING	1							
52	2	129155-51591	SPRING, RACK	1							
53	2	129155-51600	SHIM SET, ADJUSTING	3							
72	2	129155-51701	COVER	1							
73	2	129155-51711	GASKET	1							
74	2	129155-51751	COVER	1							
75	2	129155-51760	GASKET	1							
76	2	129155-51790	STOOPER, RACK	1							
77	2	129156-51910	LABEL, CAUTION	1							
78	2	129155-51930	SPACER, T=3.25	1							
79	2	129155-51940	SPACER, T=1.5	1							
80	2	22217-050000	WASHER, SPRING 5	2							
81	2	22217-060000	WASHER, SPRING 6	2							
82	2	22351-050010	PIN, SPRING 5.0X10	2							
83	2	24101-063034	BEARING, BALL 6303	1							
84	2	24341-000160	O-RING, 1AS16.0	1							
85	2	26022-050122	SCREW, M5X12	8							

N:Old <sup>(10)</sup>/<sub>(10)</sub> New, Q:Old <sup>(10)</sup>/<sub>(10)</sub> New, R:Old <sup>(10)</sup>/<sub>(10)</sub> New, S:Old <sup>(10)</sup>/<sub>(10)</sub> New, W:Add, Z:Discontinued, F:Interchangeable by set, K:Q'ty Change  
 ++ CONTINUE ++  
 Copyright (C) YANMAR CO., LTD. All Rights Reserved.

Fig.11. FUEL INJECTION PUMP

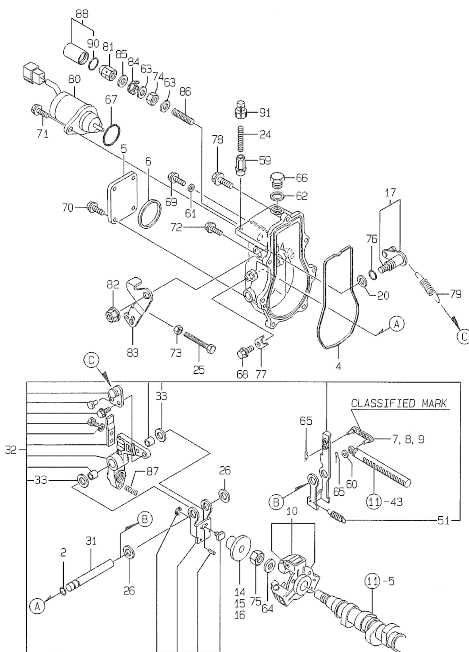


No.	Lev.	Parts No.	Description	Q'ty					
				(A)	(B)	(C)	(D)	(E)	(F)
86	2	26022-060162	SCREW, M6X16	4					
87	2	26116-050302	BOLT, M5X 30 PLATED	2					
88	2	26716-060002	NUT, M6	2					
89	2	22190-160002	WASHER, SEAL 16	1					
90	2	129208-54500	FLANGE ASSY	1					
92	3	22217-120000	WASHER, SPRING 12	1					
93	3	26716-120002	NUT, M12	1					
96	2	129155-52050	GASKET	1					
97	2	129100-52100	PUMP ASSY, FUEL FEED	1					

Remarks  
 (1) GOVERNOR ASSY(FIG.12) IS  
 INCORPORATED IN THIS FOP.CMP  
 (REF.NO.1).



Fig.12. GOVERNOR



(A)=3TNE82A-EPM  
(B)=  
(C)=

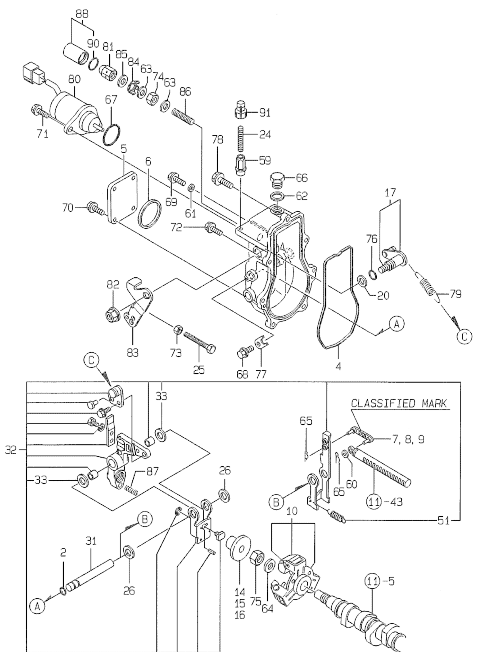
(D)=  
(E)=  
(F)=

No.	Lev.	Parts No.	Description	Q'ty						I	R
				(A)	(B)	(C)	(D)	(E)	(F)		
2	2	129155-51280	O-RING, S6	1							
4	2	129052-61050	GASKET	1							
5	2	129052-61060	COVER, GOVERNOR CASE	1							
6	2	129052-61070	GASKET	1							
7	2	129155-61120	LINK, L=30 MARK 0	1							1
8	2	129155-61130	LINK, L=31 MARK 1	1							1
9	2	129155-61140	LINK, L=30.5 MARK 05	1							1
10	2	129486-61201	WEIGHT ASSY,GOVERNOR	1							
14	2	129155-61341	SLEEVE	1							2
15	2	129155-61350	SLEEVE, L=24.9	1							2
16	2	129155-61360	SLEEVE, L=25.2	1							2
17	2	129100-61400	SHAFT ASSY	1							
20	2	129155-61430	SPACER	1							
24	2	129155-61450	BOLT, LIMITER	1							
25	2	129155-61460	BOLT, IDLE	1							
26	2	129155-61480	SPACER ASSY	2							
31	2	129052-61390	SHAFT	1							
32	2	119908-61501	LEVER ASSY, GOVERNOR	1							
33	3	174307-51700	SHIM SET	2							
51	3	129486-61540	SPRING, SET	1							
59	2	129209-61370	NUT, M6	1							
60	2	22117-040000	WASHER, 4	1							
61	2	22190-060003	SEAL WASER 6	1							
62	2	22190-100002	WASHER, SEAL 10	1							
63	2	22190-120002	WASHER, SEAL 12	2							
64	2	22287-120000	WASHER, 12	1							
65	2	22372-040000	PIN, SNAP 4	2							
66	2	23887-100002	PLUG, 10	1							
67	2	24341-000280	O-RING, 1AS28.0	1							
67-1	2	158552-61900	O-RING	1							N
(A)=EXXXXX)											
68	2	26106-060102	BOLT, M6X 10 PLATED	1							
69	2	26106-060102	BOLT, M6X 10 PLATED	1							
70	2	26106-060102	BOLT, M6X 10 PLATED	4							
71	2	26106-060142	BOLT, M6X 14 PLATED	2							
72	2	26106-060202	BOLT, M6X 20 PLATED	6							
73	2	26756-060002	NUT, LOCK M6	1							
74	2	26736-120002	NUT, M12	1							
75	2	26776-120002	NUT, LOCK M12	1							
76	2	129155-61830	O-RING, S10	1							
77	2	119660-61901	RETAINER, SHAFT	1							
78	2	129155-61950	BOLT	1							
79	2	171353-61700	SPRING, GOVERNOR	1							
80	2	119653-77950	SOLENOID, STOP	1							
81	2	129209-61930	NUT, CAP	1							
82	2	26366-080002	NUT, M8	1							
83	2	129100-61440	LEVER, CONTROL	1							
84	2	129209-61970	PLATE	1							
85	2	23414-120016	GASKET, 12X1.0	1							
86	2	120323-61470	BOLT, CONTROL	1							
87	2	129100-61650	SPRING, CONTROLLER	1							

Remarks

- (1) SELECTIVE PARTS: CERTAIN THE CLASSIFICATION MARK, THEN PLACE YOUR ORDER.(REFER TO ILLUSTRATION).
- (2) SELECTIVE PARTS.  
\* THIS FIGURE(GOVERNOR ASSY)IS INCORPORATED IN THE FUEL INJECTION PUMP ASSY(FIG.11).

Fig.12. GOVERNOR



(A)=3TNE82A-EPM  
(B)=  
(C)=

(D)=  
(E)=  
(F)=

No.	Lev.	Parts No.	Description	Q'ty					
				(A)	(B)	(C)	(D)	(E)	(F)
88	1	129209-61940	CASE ASSY	1					
90	2	24311-000150	O-RING, 1AP15.0	1					
91	1	119285-66610	CAP. HIGH-IDLE	1					

Remarks

(1) SELECTIVE PARTS: CERTAIN THE CLASSIFICATION MARK, THEN PLACE YOUR ORDER.(REFER TO ILLUSTRATION).

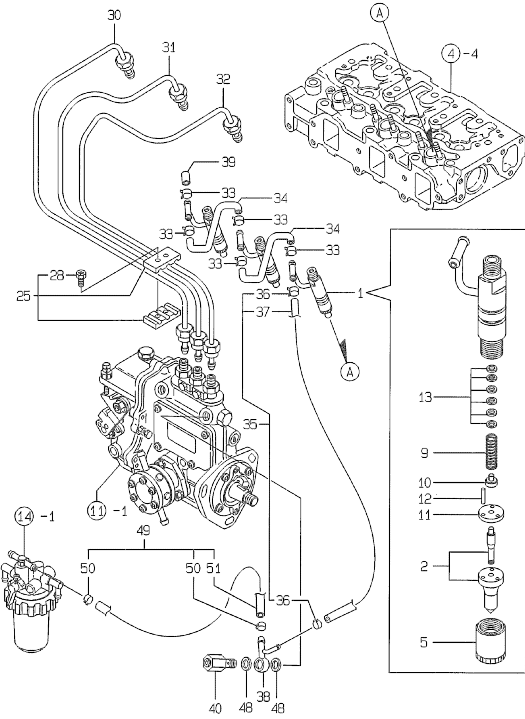
(2) SELECTIVE PARTS.

\* THIS FIGURE(GOVERNOR ASSY)IS INCORPORATED IN THE FUEL INJECTION PUMP ASSY(FIG.11).

Fig.13. FUEL INJECTION VALVE

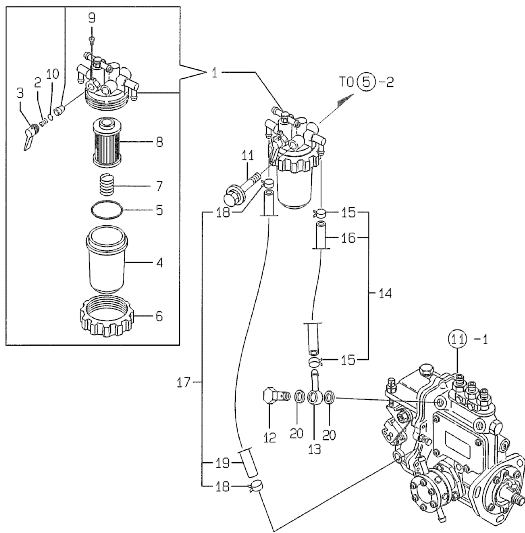
(A)=3TNE82A-EPM  
(B)=  
(C)=

(D)=  
(E)=  
(F)=



No.	Lev.	Parts No.	Description	Q'ty						I	R
				(A)	(B)	(C)	(D)	(E)	(F)		
1	1	729609-53200	VALVE ASSY,INJECTION	3							
2	2	129609-53100	VALVE ASSY,INJECTION	3							
5	2	114250-53080	NUT, NOZZLE D16.95	3							
9	2	114250-53120	SPRING, NOZZLE	3							
10	2	114250-53130	SEAT, SPRING	3							
11	2	114250-53140	PLATE	3							
12	2	114250-53210	PIN	6							
13	2	114250-53400	SHIM SET	3							
25	1	129150-59120	RETAINER, PIPE	1							
28	2	129150-59131	BOLT, M4X14	2							
30	1	119810-59810	PIPE ASSY, INJECTION	1							
31	1	119810-59820	PIPE ASSY, INJECTION	1							
32	1	119810-59830	PIPE ASSY, INJECTION	1							
33	1	124066-59100	CLIP, HOSE 8	5							
34	1	121250-59550	PIPE, FUEL D8X120	2							
35	1	119840-59500	PIPE ASSY, RETURN	1							
36	2	124066-59100	CLIP, HOSE 8	2							
37	2	119840-59560	PIPE, FUEL RETURN	1							
38	1	119840-59570	JOINT	1							
39	1	129150-59580	CAP	1							
40	1	129100-59951	VALVE ASSY, CHECK	1							
48	1	22190-120002	WASHER, SEAL 12	2							
49	1	129210-59130	PIPE ASSY, FUEL	1							
50	2	124766-59050	CLIP, HOSE 12	2							
51	2	105025-59750	PIPE, FUEL	1							

Fig.14. FUEL LINE

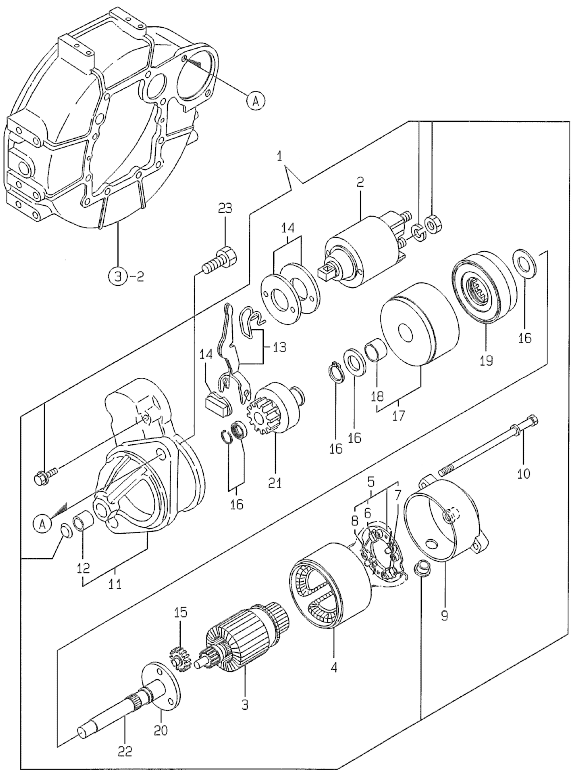


(A)=3TNE82A-EPM  
(B)=  
(C)=

(D)=  
(E)=  
(F)=

No.	Lev.	Parts No.	Description	Q'ty						I	R
				(A)	(B)	(C)	(D)	(E)	(F)		
1	1	119833-55620	FILTER ASSY, FUEL	1							
2	2	104200-55330	SPRING, VALVE	1							
3	2	119810-55340	LEVER	1							
4	2	121254-55510	COVER	1							
5	2	102103-55520	O-RING	1							
6	2	110250-55610	RING, RETAINING	1							
7	2	121250-55620	SPRING	1							
8	2	119810-55650	ELEMENT	1							
9	2	104200-55750	SCREW, M4	1							
10	2	24311-240100	O-RING, 1AP10A	1							
11	1	26014-080702	BOLT, M8X 70	1							
12	1	103854-39140	BOLT, PIPE JOINT	1							
13	1	101304-59020	JOINT, PIPE 12	1							
14	1	129210-59040	PIPE ASSY, FUEL	1							
15	2	124766-59050	CLIP, HOSE 12	2							
16	2	129555-59510	PIPE, D13/7.5X180	1							
17	1	129210-59130	PIPE ASSY, FUEL	1							
18	2	124766-59050	CLIP, HOSE 12	2							
19	2	105025-59750	PIPE, FUEL	1							
20	1	22190-120002	WASHER, SEAL 12	2							

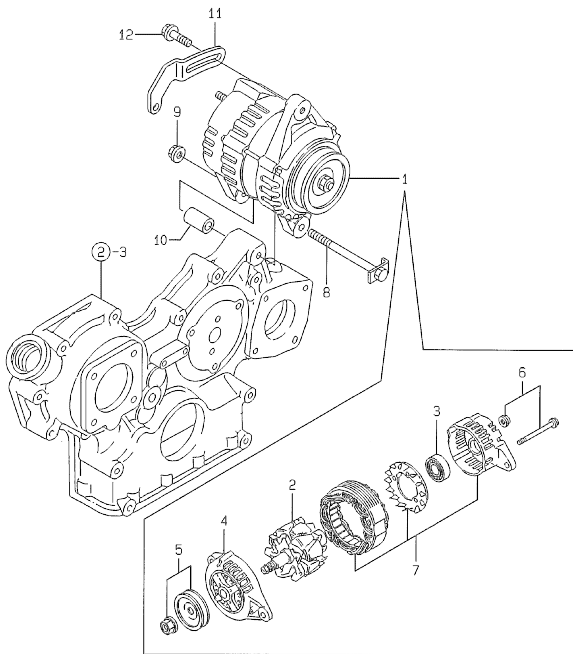
Fig.15. STARTING MOTOR



No.	Lev.	Parts No.	Description	Q'ty					
				(A)	(B)	(C)	(D)	(E)	(F)
1	1	129698-77010	STARTER, 12V1.2KW	1					
2	2	124298-77020	SWITCH, MAGNETIC	1					
3	2	129698-77100	ARMATURE ASSY	1					
4	2	129698-77110	YOKE ASSY	1					
5	2	129698-77120	HOLDER ASSY, BRUSH	1					
6	3	129698-77140	BRUSH SET	1					
7	3	129698-77130	BRUSH	2					
8	3	129698-77150	SPRING, BRUSH	4					
9	2	129698-77161	COVER ASSY	1					
10	2	124195-77770	BOLT, THROUGH	2					
11	2	129698-77260	CASE ASSY	1					
12	3	X2114535200	METAL, STARTER	1					
13	2	129698-77270	LEVER SET, SHIFT	1					
14	2	129698-77280	COVER KIT	1					
15	2	129698-77240	GEAR	3					
16	2	129698-77250	WASHER SET	1					
17	2	129698-77180	BRACKET	1					
18	3	129698-77190	BRACKET	1					
19	2	129698-77200	GEAR, INTERNAL	1					
20	2	129698-77210	BRACKET	1					
21	2	129698-77220	PINION ASSY	1					
22	2	129698-77230	SHAFT	1					
23	1	26116-120252	BOLT, M12X 25 PLATED	2					

N:Old  $\frac{New}{Old}$  New, Q:Old  $\frac{New}{Old}$  New, R:Old  $\frac{New}{Old}$  New, S:Old  $\frac{New}{Old}$  New, W:Add, Z:Discontinued, F:Interchangeable by set, K:Q'ty Change  
 Copyright (C) YANMAR CO., LTD. All Rights Reserved.

Fig.16. GENERATOR



(A)=3TNE82A-EPM  
(B)=  
(C)=

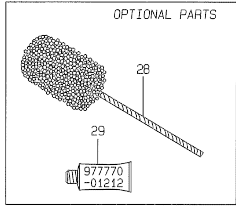
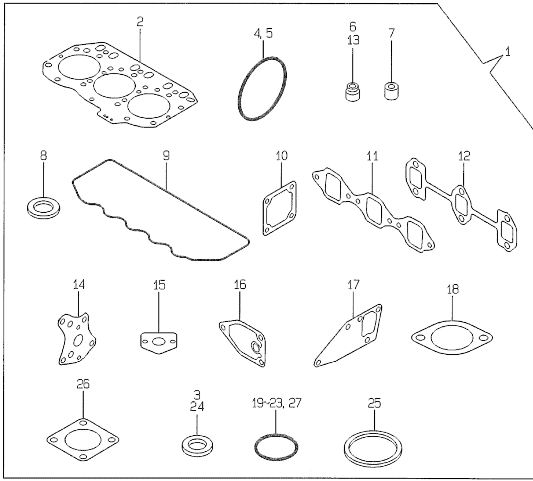
(D)=  
(E)=  
(F)=

No.	Lev.	Parts No.	Description	Q'ty						I	R
				(A)	(B)	(C)	(D)	(E)	(F)		
1	1	119836-77201	GENERATOR	1							
2	2	129612-77700	ROTOR ASSY	1							
3	2	129612-77710	BEARING, BALL	1							
4	2	129612-77730	BRACKET ASSY, FILTER	1							
5	2	129612-77740	PULLEY	1							
6	2	129612-77750	SCREW KIT	1							
7	2	119836-77920	BRACKET ASSY	1							
8	1	129136-77251	BOLT, M8X110	1							
9	1	129612-77260	NUT, ALTERNATOR	1							
10	1	119820-77340	PIECE, DISTANCE	1							
11	1	119823-77330	ADJUSTER	1							
12	1	119810-77340	BOLT, ADJUSTER	1							

Fig.17. GASKET SET

(A)=3TNE82A-EPM  
(B)=  
(C)=

(D)=  
(E)=  
(F)=



No.	Lev.	Parts No.	Description	Qty						I	R	
				(A)	(B)	(C)	(D)	(E)	(F)			
1	1	719823-92890	GASKET SET	1							1	
2	2	119812-01330	GASKET, HEAD	1								
3	2	22190-120002	WASHER, SEAL 12	2								
4	2	24321-000800	O-RING, 1AG80.0	1								
5	2	121850-51960	O-RING	1								
6	2	124160-11340	SEAL, VALVE STEM	3								
7	2	119625-11870	PROTECTOR, NOZZLE	3								
8	2	119625-11880	SEAT, NOZZLE	3								
9	2	119865-11310	GASKET, BONNET	1								
10	2	129150-77511	GASKET	1								
11	2	119810-12111	GASKET, MANIFOLD	1								
12	2	119810-13110	GASKET	1								
13	2	124950-11340	SEAL, VALVE STEM	3								
14	2	129150-32020	GASKET, PUMP	1								
15	2	129150-35041	GASKET	1								
16	2	129150-35111	GASKET	1								
17	2	129486-42050	GASKET, WATER PUMP	1								
18	2	129795-49551	GASKET	1								
19	2	24311-000120	O-RING, 1AP12.0	3								
20	2	24311-000160	O-RING, 1AP16.0	1								
21	2	24311-000320	O-RING, 1AP32.0	2								
22	2	24341-000500	O-RING, 1AS50.0	1								
23	2	24341-000240	O-RING, 1AS24.0	1								
24	2	124465-44950	GASKET, 16	2								
25	2	129150-49811	GASKET, THERMOSTAT	1								
26	2	124701-11911	GASKET, SILENCER	1								
27	2	119609-32040	O-RING, P16	2								
28	1	129400-92420	HONE	1								1
29	1	977770-01212	GASKET, LIQUID	1								1

Remarks  
(1) OPTIONAL PART.

## Parts No. Index

Parts No.	Fig. No.	Ref. No.
101304-59020	14	13
102103-55520	14	5
103854-39140	14	12
104200-55330	14	2
104200-55750	14	9
104211-11180	4	14
104211-11370	4	18
105025-59750	13	51
	14	19
110250-55610	14	6
114250-39450	9	18
114250-53080	13	5
114250-53120	13	9
114250-53130	13	10
114250-53140	13	11
114250-53210	13	12
114250-53400	13	13
119131-18320	6	4
119285-66610	12	91
119600-34800	9	16
119609-32040	2	26
	17	27
119620-01750	3	3
119620-02020	1	12
119620-44741	10	19
119620-49290	10	30
119625-11870	4	32
	17	7
119625-11880	4	33
	17	8
119625-11900	4	34
119640-01640	3	8
119653-77950	12	80
119660-61901	12	77
119810-01200	1	21
119810-01730	3	6
119810-01780	3	16
119810-01790	3	7
119810-02800	1	15
119810-02870	1	23
119810-02930	1	18
119810-02940	1	26
119810-11100	4	11
119810-11110	4	12
119810-11120	4	13
119810-11240	4	21
119810-12111	5	1
	17	11
119810-13100	6	1
119810-13110	6	2

Parts No.	Fig. No.	Ref. No.
119810-13110	17	12
119810-14400	7	2
119810-14580	7	3
119810-23200	8	27
119810-23600	8	28
119810-23610	8	30
119810-23910	8	26
119810-35401	9	22
119810-39200	9	35
119810-42001	10	1
119810-55340	14	3
119810-55650	14	8
119810-59810	13	30
119810-59820	13	31
119810-59830	13	32
119810-77340	16	12
119812-01330	1	22
	17	2
119812-11700	4	4
119813-21000	8	1
119813-22080	8	15
119813-22300	8	21
119813-22500	8	17
119813-22900	8	32
119820-77340	16	10
119823-77330	16	11
119833-55620	14	1
119836-77201	16	1
119836-77920	16	7
119840-59500	13	35
119840-59560	13	37
119840-59570	13	38
119865-11210	4	20
119865-11310	4	44
	17	9
119865-21600	8	14
119888-01600	3	2
119888-21450	8	38
119888-21590	8	12
119908-61501	12	32
120323-61470	12	86
121023-01550	2	22
121111-21501	8	11
121250-44901	10	29
121250-55620	14	7
121250-59550	13	34
121254-55510	14	4
121450-01560	2	2
121450-42450	10	28
121520-34810	9	17

Parts No.	Fig. No.	Ref. No.
121850-21680	8	10
121850-51960	2	10
	17	5
122710-51090	11	8
124060-11800	4	7
124066-59100	13	33
		36
124160-01751	2	6
	4	51
124160-01910	1	4
		14
124160-11340	4	16
	17	6
124160-11360	4	48
124160-39140	9	34
124195-77770	15	10
124240-01871	2	7
124298-77020	15	2
124465-44950	10	27
	17	24
124550-01590	2	11
		14
124550-51350	11	30
124550-51370	11	31
124550-59820	9	40
124550-59830	9	39
124574-44761	10	20
124701-11911	6	7
	17	26
124766-59050	13	50
	14	15
		18
124950-11340	4	17
	17	13
124950-51190	11	15
129001-01250	1	7
129001-32001	9	1
129001-35300	9	30
129001-91841	2	20
129003-22950	8	34
129052-61050	12	4
129052-61060	12	5
129052-61070	12	6
129052-61390	12	31
129100-01580	3	1
		13
	8	2
129100-25061	7	9
129100-51560	11	48
129100-51570	11	49

Parts No.	Fig. No.	Ref. No.
129100-52100	11	97
129100-59951	13	40
129100-61400	12	17
129100-61440	12	83
129100-61650	12	87
129108-51100	11	9
129120-77501	5	4
129136-77251	16	8
129150-02450	7	4
129150-03020	4	40
129150-03070	4	41
129150-03080	4	42
129150-03100	2	9
129150-11230	4	28
129150-11280	4	26
129150-11750	4	30
129150-14101	7	6
129150-14200	7	1
129150-21200	8	4
129150-25101	7	10
129150-25301	7	16
129150-25920	7	13
129150-25931	7	15
129150-32020	9	14
	17	14
129150-35041	9	21
	17	15
129150-35101	9	27
129150-35111	9	28
	17	16
129150-35151	9	29
129150-35350	9	31
129150-42320	10	11
129150-49811	10	25
	17	25
129150-59120	13	25
129150-59131	13	28
129150-59580	13	39
129150-77511	5	5
	17	10
129155-11260	4	24
129155-11270	4	25
129155-49800	10	24
129155-51020	11	4
129155-51050	11	6
129155-51140	11	12
129155-51180	11	14
129155-51200	11	16
129155-51270	11	23
129155-51280	11	24



## Parts No. Index

Parts No.	Fig. No.	Ref. No.
129155-51280	12	2
129155-51380	11	33
129155-51390	11	34
129155-51400	11	35
129155-51410	11	36
129155-51420	11	37
129155-51450	11	38
129155-51500	11	43
129155-51521	11	44
129155-51530	11	45
129155-51540	11	46
129155-51550	11	47
129155-51570	11	50
129155-51580	11	51
129155-51591	11	52
129155-51600	11	53
129155-51701	11	72
129155-51711	11	73
129155-51751	11	74
129155-51760	11	75
129155-51790	11	76
129155-51930	11	78
129155-51940	11	79
129155-52050	11	96
129155-61120	12	7
129155-61130	12	8
129155-61140	12	9
129155-61341	12	14
129155-61350	12	15
129155-61360	12	16
129155-61430	12	20
129155-61450	12	24
129155-61460	12	25
129155-61480	12	26
129155-61830	12	76
129155-61950	12	78
129156-51910	11	77
129171-51040	11	5
129208-51060	11	7
129208-51300	11	25
129208-54500	11	90
129209-61370	12	59
129209-61930	12	81
129209-61940	12	88
129209-61970	12	84
129210-59040	14	14
129210-59130	13	49
	14	17
129350-49530	10	22
129400-92420	17	28

Parts No.	Fig. No.	Ref. No.
129403-42380	10	18
129430-26070	7	17
129486-01670	3	17
129486-07901	4	2
129486-42050	10	14
	17	17
129486-61201	12	10
129486-61540	12	51
129555-59510	14	16
129573-51330	11	28
129573-51340	11	29
129573-51370	11	32
129609-53100	13	2
129612-77260	16	9
129612-77700	16	2
129612-77710	16	3
129612-77730	16	4
129612-77740	16	5
129612-77750	16	6
129698-77010	15	1
129698-77100	15	3
129698-77110	15	4
129698-77120	15	5
129698-77130	15	7
129698-77140	15	6
129698-77150	15	8
129698-77161	15	9
129698-77180	15	17
129698-77190	15	18
129698-77200	15	19
129698-77210	15	20
129698-77220	15	21
129698-77230	15	22
129698-77240	15	15
129698-77250	15	16
129698-77260	15	11
129698-77270	15	13
129698-77280	15	14
129792-22400	8	22
129795-01800	2	5
129795-01950	2	8
129795-02411	1	13
129795-21661	8	9
129795-49551	10	23
	17	18
129900-07900	4	50
158552-61900	12	67 -1
171051-01921	1	5
171301-12701	5	2
171301-21650	8	8

Parts No.	Fig. No.	Ref. No.
171350-03090	4	1
171353-01520	2	1
171353-01580	2	3
171353-61700	12	79
174307-51170	11	13
174307-51700	12	33
22117-040000	12	60
22190-060003	12	61
22190-080002	9	19
		41
22190-080003	2	12
		15
22190-100002	9	20
		12
22190-120002	12	62
		63
		13
		48
		14
		20
		17
		3
22190-160002	11	89
22190-220002	3	10
22217-050000	11	80
22217-060000	11	81
22217-120000	11	92
22287-120000	12	64
22351-040010	8	7
22351-050010	11	82
22351-060012	4	19
22372-040000	12	65
22512-070140	7	7
		8
		5
23414-120016	12	85
23876-010000	1	6
23876-030000	10	12
23887-100002	12	66
24101-063034	11	83
24104-062054	8	39
24311-000120	4	49
		17
		19
24311-000150	12	90
24311-000160	9	32
		17
		20
24311-000320	2	27
		4
		52
		17
		21
24311-240100	14	10
24321-000800	7	18
		17
		4
24341-000160	11	84
24341-000240	2	23
		17
		23

Parts No.	Fig. No.	Ref. No.
24341-000280	12	67
24341-000500	4	46
	17	22
25132-003700	10	17
26014-060252	10	21
26014-080702	14	11
26022-050122	11	85
26022-060162	11	86
26106-060102	12	68
		69
		70
26106-060142	12	71
26106-060162	2	24
26106-060202	12	72
26106-080142	7	8
26106-080162	2	13
		16
		17
		3
		11
		4
		3
		47
26106-080202	9	33
26106-080222	8	40
	10	26
26106-080252	4	35
	5	3
	7	20
26106-080352	3	18
	5	6
	9	26
	10	15
26106-080452	2	18
	3	12
	7	14
26106-080502	4	36
26106-080552	2	19
	10	16
26106-080602	6	5
26106-100302	7	19
26116-050302	11	87
26116-120252	15	23
26206-100252	3	4
26206-100302	3	5
26216-060302	4	9
26216-080602	6	6
26226-080182	4	31
26306-080002	2	21
	6	3
26366-060002	4	37
26366-080002	12	82

## Parts No. Index

Parts No.	Fig. No.	Ref. No.
26450-060252	9	15
26716-060002	11	88
26716-120002	11	93
26736-120002	12	74
26756-060002	12	73
26776-120002	12	75
27241-120000	1	8
27241-300000	1	9
27241-400000	4	10
27310-070001	4	15
719810-01650	3	14
719810-11521	4	38
719810-11660	4	27
719810-23100	8	23
719813-01560	1	1
719823-51460	11	1
719823-92690	17	1
729609-53200	13	1
977770-01212	2	25
	3	19
	17	29
X2114535200	15	12

Parts No.	Fig. No.	Ref. No.
-----------	----------	----------

Parts No.	Fig. No.	Ref. No.
-----------	----------	----------

Parts No.	Fig. No.	Ref. No.
-----------	----------	----------