

0CW10-M49100EN

# P R E F A C E

1. This parts catalog is the 1st edition of 3TNV84T-BMNK for NEUSON.

Pub.No. : 0CW10- G49100

Published : January, 2009

2. Model name

Engine model	Vehicle	Vehicle made by
3TNV84T-BMNK	FARM LOADER	NEUSON

## Directions for the Parts Catalog.

1. This Parts Catalog shows both standard and optional parts.
2. Parts may change without prior notice.
3. The following is an example of the Parts Catalog format.

REF.	LEV.	PARTS NO.	DESCRIPTION	Q'TY						I	R
				(A)	(B)	(C)	(D)	(E)	(F)		
1	1	729595-51390	FUEL INJECTION PUMP	1	1	1	1	1			1
1-1	1	729595-51391	FUEL INJECTION PUMP	1	1	1	1	1		N	1
		(A=E00185) (B=E00200)									
3	2	26022-060162	SCREW M 6X 16	9	9	9	9	9			
3-1	2	26022-060162	SCREW M 6X 16	4	4	4	4	4		K	
		(A=E00156) (B=E00156) (C=E00156) (D=E00156) (E=E00156)									
4	2	129470-51040	CAMSHAFT	1	1	1	1	1			
5	2	122710-51050	BEARING, ROLLER	2	2	2	2	2			
6	2	129470-51060	RETAINER	1	1	1	1	1			

Remarks
(1) BOOST COMPEMSATOR TYPE. OPTIONAL PART, TO E00155,(4JH-DT, 4JH-DTZ

### ① Ref. No.

The Ref. No. listed may not be in accordance with the illustration Ref. No.

(Ex.) Illustration No.

List Ref No.

1 1 (Before change) → 1-1 (After change)

For interchangeable symbols N, R and K, illustrations for new parts may be abbreviated.

### ② Lev. (Level)

Level indication

The numbers below indicate the level of relativity towards the main part.

1 ---- Main parts (Assembly parts)

2 ---- Sub component included in " 1 ".

3 ---- Sub component included in " 2 ".

Note) Parts that are not for sale are partially illustrated but not listed.

### ③ Interchangeability Symbol

When a part change takes place, one of the following interchangeability symbols is indicated beside the part.

Symbol	Interchangeability	Contents note
N	Old $\begin{matrix} \leftarrow \text{Yes} \\ \text{No} \rightarrow \end{matrix}$ New	New Part is interchangeable for Old Part but Old Part is not interchangeable for New Part.
Q	Old $\begin{matrix} \leftarrow \text{No} \\ \text{Yes} \rightarrow \end{matrix}$ New	New Part is not interchangeable for Old Part but Old Part is interchangeable for New Part.
R	Old $\begin{matrix} \leftarrow \text{Yes} \\ \text{Yes} \rightarrow \end{matrix}$ New	New/ Old Parts are both interchangeable.
S	Old $\begin{matrix} \leftarrow \text{No} \\ \text{No} \rightarrow \end{matrix}$ New	New/ Old Parts are both not interchangeable.
W		Part newly added.
Z		Part discontinued.
F		Not interchangeable by a single part but interchangeable together with related parts.
K		Changes only for used parts quantities.

### ④ Effective Machine No.

When a part changes, the effective Machine No. will be indicated in the (A)-(F) column.

Product Symbol	Product No.	Product Symbol	Product No.
C	Clutch No. Compressor No.	F	Machine No. (Agricultural Equip.)
D	Drive No.	M	Machine No.
E	Engine No.		

Note 1) A date may follow the symbol. (Ex.) 1996.01

Note 2) "XXXXX" and "ZZZZZ" are for parts that could not be predicted or for engine models that could not be identified.

Note 3) (A=E00185) is the E (Engine Serial Number) for the column (A) model (in this case 4JH-DT) after the parts design change.

### ⑤ Remarks

Figures or alphabets (symbols) are entered in the remarks column.

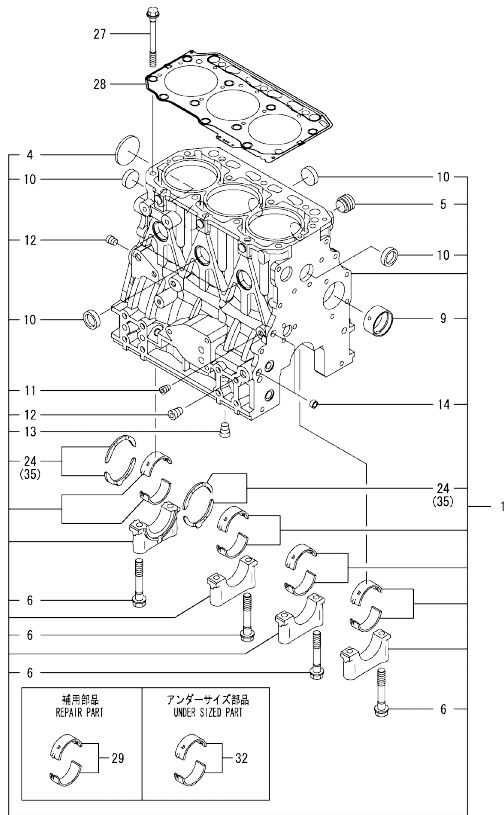
The comments (remarks) on parts that are indicated at the bottom of the illustration are the same symbols as those stated above.

## Contents

Fig. No.	Fig. Name	Fig. No.	Fig. Name
3TNV84T-BMNK			
1.	CYLINDER BLOCK		
2.	GEAR HOUSING		
3.	FLYWHEEL HOUSING & OIL SUMP		
4.	CYLINDER HEAD & BONNET		
5.	SUCTION MANIFOLD		
6.	EXHAUST MANIFOLD		
7.	CAMSHAFT & DRIVING GEAR		
8.	TURBINE		
9.	CRANKSHAFT & PISTON		
10.	LUB.OIL SYSTEM		
11.	LUB.OIL LINE		
12.	COOLING WATER SYSTEM		
13.	FUEL INJECTION PUMP		
14.	GOVERNOR		
15.	FUEL INJECTION VALVE		
16.	FUEL LINE		
17.	STARTING MOTOR		
18.	GENERATOR		
19.	GASKET SET		

0CW10-M49100

Fig.1. CYLINDER BLOCK

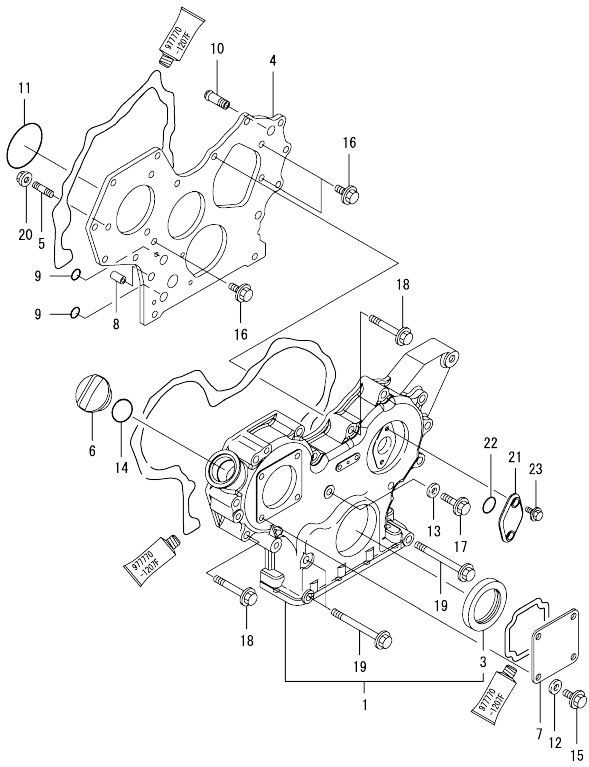


Remarks  
 (1) REPAIR PART.  
 (2) UNDER-SIZED(U.S=0.25)PART.  
 (3) OVER-SIZED(O.S=0.25)PART.

No.	Lev.	Parts No.	Description	Q'ty						I	R
				(A)	(B)	(C)	(D)	(E)	(F)		
1	1	729006-01560	BLOCK ASSY, CYLINDER	1							
4	2	129001-01250	PLUG, 50	1							
5	2	171051-01921	PLUG, NPTF1	1							
6	2	129150-02020	BOLT, METAL CAP	8							
9	2	129795-02412	BUSH, CAMSHAFT	1							
10	2	27241-300000	PLUG 30	6							
11	2	124060-01050	PLUG, PT1/8	1							
12	2	124160-01910	PLUG, PT1/4	2							
13	2	124160-01910	PLUG, PT1/4	1							
14	2	27241-120000	PLUG, 12	2							
24	2	129150-02931	BEARING, THRUST	2							
27	1	129150-01200	BOLT, HEAD	14							
28	1	129002-01331	GASKET, HEAD	1							
29	1	129001-02931	BEARING, MAIN	4							1
32	1	129150-02871	BEARING, 0.25 US	4							2
35	1	129150-02941	BEARING, THRUST 0.25	1							3

OCW10-M49100

Fig.2. GEAR HOUSING

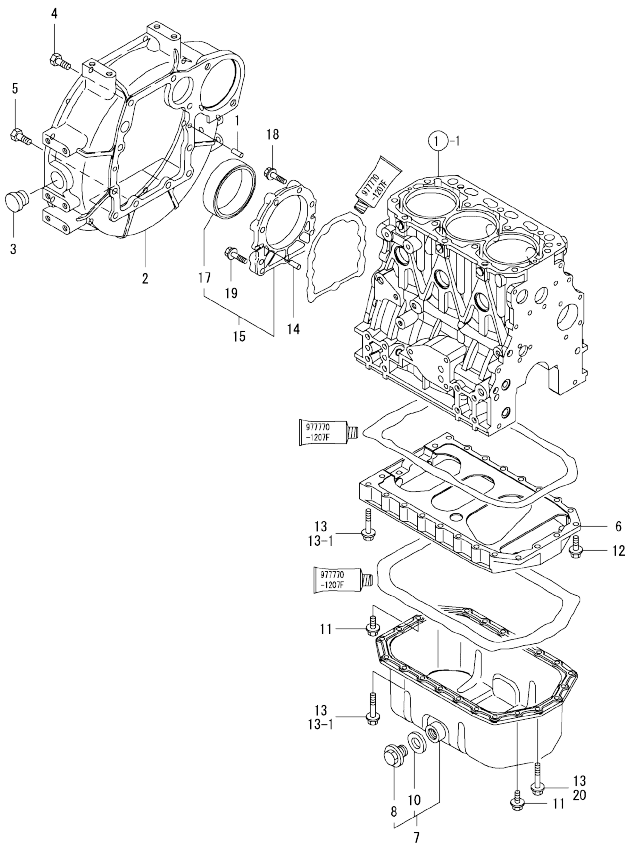


No.	Lev.	Parts No.	Description	Q'ty					
				(A)	(B)	(C)	(D)	(E)	(F)
1	1	719803-01500	CASE ASSY, GEAR	1					
3	2	119934-01800	SEAL, OIL	1					
4	1	129009-01520	FLANGE, GEAR CASE	1					
5	1	119802-01561	STUD, M8X25	3					
6	1	124160-01751	COVER, FILLER	1					
7	1	124240-01871	COVER	1					
8	1	129795-01950	PIPE, KNOCK L=18	2					
9	1	119609-32040	O-RING, P16	2					
10	1	129122-44480	JOINT	1					
11	1	121850-51960	O-RING	1					
12	1	22190-080002	WASHER, SEAL 6	4					
13	1	22190-080002	WASHER, SEAL 6	1					
14	1	24311-000320	O-RING, 1AP32.0	1					
15	1	26106-080162	BOLT, M8X 16 PLATED	4					
16	1	26106-080162	BOLT, M8X 16 PLATED	3					
17	1	26106-080302	BOLT, M8X 30 PLATED	1					
18	1	26106-080552	BOLT, M8X 55 PLATED	12					
19	1	26106-080852	BOLT, M8X 85 PLATED	3					
20	1	26306-080002	NUT, M8	3					
21	1	121023-01551	COVER	1					
22	1	24341-000240	O-RING, 1AS24.0	1					
23	1	26106-060162	BOLT, M6X 16 PLATED	2					

N:Old  $\frac{New}{Old}$  New, Q:Old  $\frac{New}{Old}$  New, R:Old  $\frac{New}{Old}$  New, S:Old  $\frac{New}{Old}$  New, W:Add, Z:Discontinued, F:Interchangeable by set, K:Q'ty Change  
 Copyright (C) YANMAR CO., LTD. All Rights Reserved.

OCW10-M49100

Fig.3. FLYWHEEL HOUSING & OIL SUMP

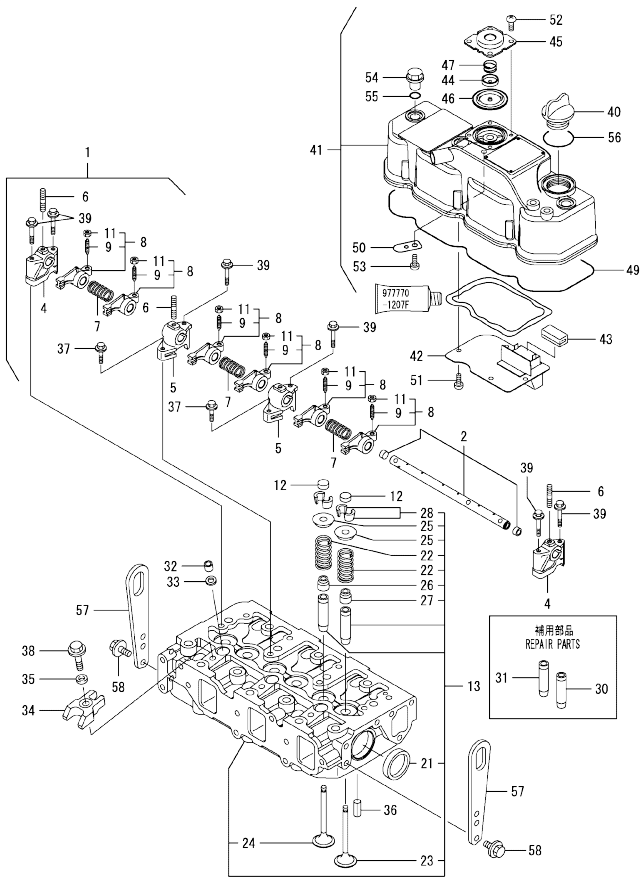


No.	Lev.	Parts No.	Description	Q'ty						I	R
				(A)	(B)	(C)	(D)	(E)	(F)		
1	1	129100-01580	PIN, M8X16	2							
2	1	129612-01600	HOUSING, FLYWHEEL	1							
3	1	119620-01750	CAP	1							
4	1	26206-100252	BOLT, M10X 25 PLATED	6							
5	1	26206-100302	BOLT, M10X 30 PLATED	4							
6	1	129100-01730	SPACER, OIL SUMP	1							
7	1	129100-01760	SUMP ASSY, OIL	1							
8	2	119640-01640	PLUG, DRAIN M22	1							
10	2	22190-220002	WASHER, SEAL 22	1							
11	1	26106-080162	BOLT, M8X 16 PLATED	4							
12	1	26106-080252	BOLT, M8X 25 PLATED	2							
13	1	26106-080452	BOLT, M8X 45 PLATED	20							
13-1	1	26106-080452	BOLT, M8X 45 PLATED	16							K
(A=FROM 1ST)											
14	1	129100-01580	PIN, M8X16	2							
15	1	129100-01640	CASE ASSY, OIL SEAL	1							
17	2	129795-01780	SEAL, OIL	1							
18	1	129486-01670	BOLT, M8X30	6							
19	1	26106-080352	BOLT, M8X 35 PLATED	3							
20	1	26106-080502	BOLT, M8X 50 PLATED	4							W
(A=FROM 1ST)											

N:Old  $\frac{100}{100}$  New, Q:Old  $\frac{100}{100}$  New, R:Old  $\frac{100}{100}$  New, S:Old  $\frac{100}{100}$  New, W:Add, Z:Discontinued, F:Interchangeable by set, K:Q'ty Change  
 Copyright (C) YANMAR CO., LTD. All Rights Reserved.

OCW10-M49100

Fig.4. CYLINDER HEAD & BONNET



(A)=3TNV84T-6MNK  
(B)=  
(C)=

(D)=  
(E)=  
(F)=

No.	Lev.	Parts No.	Description	Q'ty						I	R
				(A)	(B)	(C)	(D)	(E)	(F)		
1	1	129004-11241	SHAFT ASSY, ROCKER	1							
2	2	129004-11251	SHAFT, ROCKER ARM	1							
4	2	119802-11260	SUPPORT, ROCKER ARM	2							
5	2	119802-11270	SUPPORT, ROCKER ARM	2							
6	2	119802-11280	STUD	3							
7	2	129150-11280	SPRING	3							
8	2	129004-11650	ARM, ROCKER	6							
9	3	129150-11230	SCREW, VALVE ADJUST	6							
11	3	129150-11750	NUT, M8	6							
12	1	129150-11370	CAP, VALVE	6							
13	1	129009-11710	HEAD ASSY, CYLINDER	1							
21	2	27241-400000	PLUG, 40	2							
22	2	129795-11120	SPRING, VALVE	6							
23	2	129004-11130	VALVE, INTAKE	3							
24	2	129100-11130	VALVE, EXHAUST	3							
25	2	129795-11180	RETAINER, SPRING	6							
26	2	121400-11340	SEAL, VALVE STEM	3							
27	2	124460-11340	SEAL, VALVE STEM	3							
28	2	27310-080001	COTTER, 8	6							
30	1	120130-11860	GUIDE, VALVE	3							1
31	1	129150-11810	GUIDE, VALVE	3							1
32	1	119802-11870	PROTECTOR, NOZZLE	3							
33	1	119625-11880	SEAT, NOZZLE	3							
34	1	129004-11900	RETAINER, NOZZLE	3							
35	1	120270-54410	WASHER, INJECTOR	3							
36	1	22351-060012	PIN, SPRING 6.0X12	2							
37	1	26106-080252	BOLT, M8X 25 PLATED	2							
38	1	26106-080352	BOLT, M8X 35 PLATED	3							
39	1	26106-080502	BOLT, M8X 50 PLATED	6							
40	1	124160-01751	COVER, FILLER	1							
41	1	129009-11350	BONNET ASSY, HEAD	1							
42	2	129004-03010	PLATE	1							
43	2	129150-03070	BAFFLE, BREATHER	1							
44	2	119802-03110	PLATE	1							
45	2	119802-03121	COVER, DIAPHRAGM	1							
46	2	119802-03130	DIAPHRAGM	1							
47	2	119802-03141	SPRING, DIAPHRAGM	1							
49	2	129004-11310	GASKET, BONNET	1							
50	2	129009-11340	SPRING	1							
51	2	22857-500100	SCREW, 5X10	4							
52	2	22857-500100	SCREW, 5X10	4							
53	2	22857-500100	SCREW, 5X10	1							
54	1	124160-11360	KNOB	3							
55	1	24311-000120	O-RING, 1AP12.0	3							
56	1	24311-000320	O-RING, 1AP32.0	1							
57	1	129900-07900	LIFTER	2							
58	1	26106-080162	BOLT, M8X 16 PLATED	4							

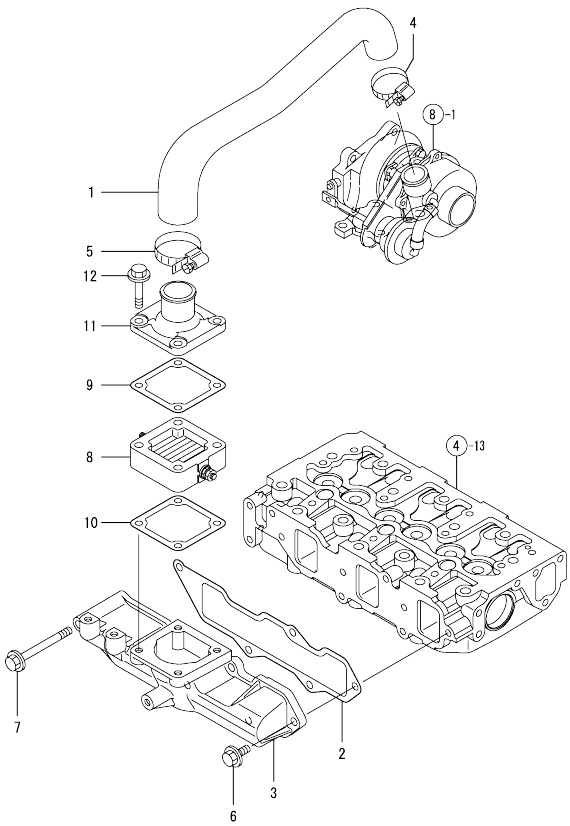
Remarks  
(1) REPAIR PART.

N:Old  $\frac{100}{100}$  New, Q:Old  $\frac{100}{100}$  New, R:Old  $\frac{100}{100}$  New, S:Old  $\frac{100}{100}$  New, W:Add, Z:Discontinued, F:Interchangeable by set, K:Q'ty Change  
Copyright (C) YANMAR CO., LTD. All Rights Reserved.



OCW10-M49100

Fig.5. SUCTION MANIFOLD

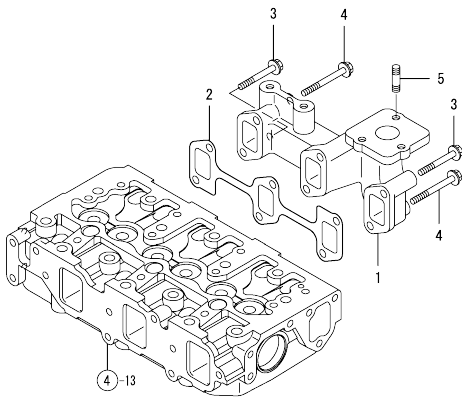


No.	Lev.	Parts No.	Description	Q'ty					
				(A)	(B)	(C)	(D)	(E)	(F)
1	1	129072-12010	PIPE, AIR INTAKE	1					
2	1	129001-12110	GASKET, MANIFOLD	1					
3	1	129006-12111	MANIFOLD, AIR INTAKE	1					
4	1	23000-041000	CLAMP, 41	1					
5	1	23000-060000	CLAMP, 60	1					
6	1	26106-080202	BOLT, M8X 20 PLATED	4					
7	1	26106-080802	BOLT, M8X 80 PLATED	1					
8	1	129100-77501	HEATER	1					
9	1	129100-77510	GASKET, AIR HEATER	1					
10	1	129150-77511	GASKET	1					
11	1	129165-77520	BEND, AIR HEATER	1					
12	1	26106-080402	BOLT, M8X 40 PLATED	4					

N:Old  $\frac{100}{100}$  New, Q:Old  $\frac{100}{100}$  New, R:Old  $\frac{100}{100}$  New, S:Old  $\frac{100}{100}$  New, W:Add, Z:Discontinued, F:Interchangeable by set, K:Q'ty Change  
 Copyright (C) YANMAR CO., LTD. All Rights Reserved.

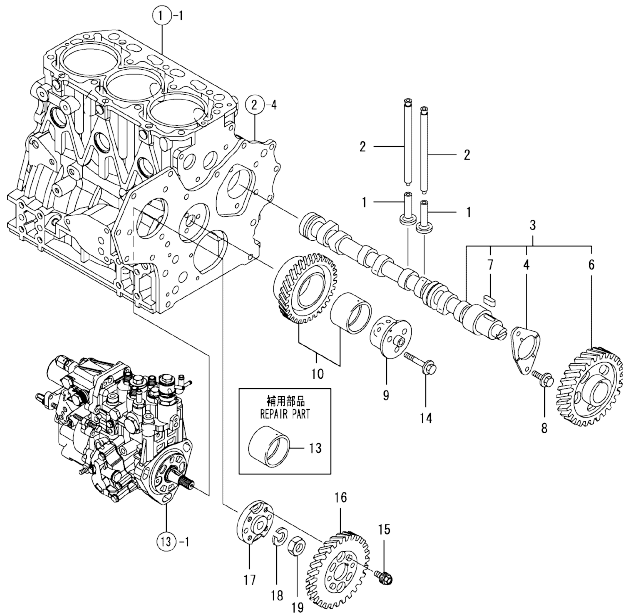
OCW10-M49100

Fig.6. EXHAUST MANIFOLD



No.	Lev.	Parts No.	Description	Q'ty					
				(A)	(B)	(C)	(D)	(E)	(F)
1	1	129103-13100	MANIFOLD, EXHAUST	1					
2	1	129150-13110	GASKET	1					
3	1	119802-13620	BOLT, M8X50	2					
4	1	119802-13640	BOLT, M8X60 10.9T	4					
5	1	119131-18320	STUD, M8X22	3					

Fig.7. CAMSHAFT & DRIVING GEAR



(A)=3TNV84T-6MNK  
(B)=  
(C)=

(D)=  
(E)=  
(F)=

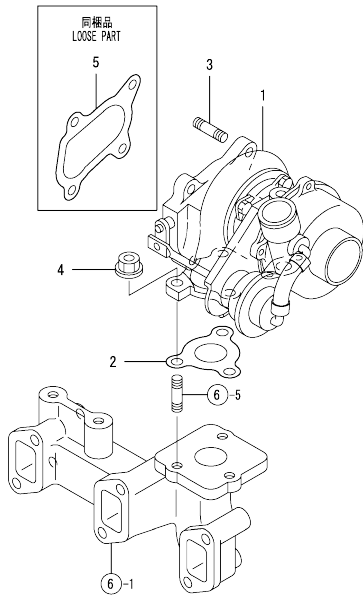
No.	Lev.	Parts No.	Description	Q'ty						I	R
				(A)	(B)	(C)	(D)	(E)	(F)		
1	1	129150-14200	TAPPET	6							
2	1	129150-14400	ROD, PUSH L=178	6							
3	1	129129-14580	CAMSHAFT ASSY	1							
4	2	129150-02450	BEARING, THRUST	1							
6	2	129150-14101	GEAR, CAMSHAFT	1							
7	2	22512-070140	KEY, 7X 14	1							
8	1	26106-080142	BOLT, M8X 14 PLATED	2							
9	1	119803-25050	SHAFT, IDLE	1							
10	1	119802-25101	GEAR ASSY, IDLE	1							
13	1	119802-25071	BUSH, IDLE GEAR	1							1
14	1	26106-080402	BOLT, M8X 40 PLATED	3							
15	1	129150-25301	BOLT	4							
16	1	119802-25901	GEAR, PUMP	1							
17	1	158552-51151	FLANGE	1							
18	1	22217-140000	WASHER, SPRING 14	1							
19	1	26776-140002	NUT, LOCK M14	1							

Remarks  
(1) REPAIR PART.

N:Old  $\frac{100}{100}$  New, Q:Old  $\frac{100}{100}$  New, R:Old  $\frac{100}{100}$  New, S:Old  $\frac{100}{100}$  New, W:Add, Z:Discontinued, F:Interchangeable by set, K:Qty Change  
Copyright (C) YANMAR CO., LTD. All Rights Reserved.

OCW10-M49100

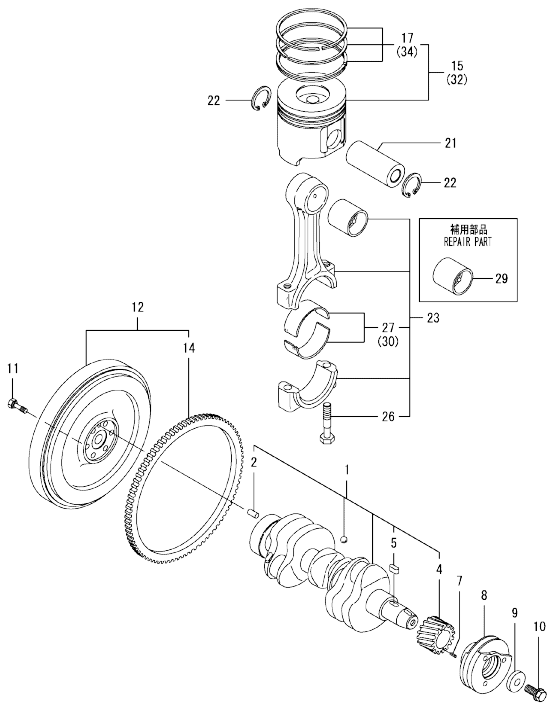
Fig.8. TURBINE



No.	Lev.	Parts No.	Description	Q'ty					
				(A)	(B)	(C)	(D)	(E)	(F)
1	1	129080-18011	TURBINE, RHB31	1					
2	1	129535-18100	GASKET	1					
3	1	129418-18320	STUD, M8X20	4					
4	1	26306-080002	NUT, M8	3					
5	1	129403-18091	GASKET	1					

0CW10-M49100

Fig.9. CRANKSHAFT & PISTON



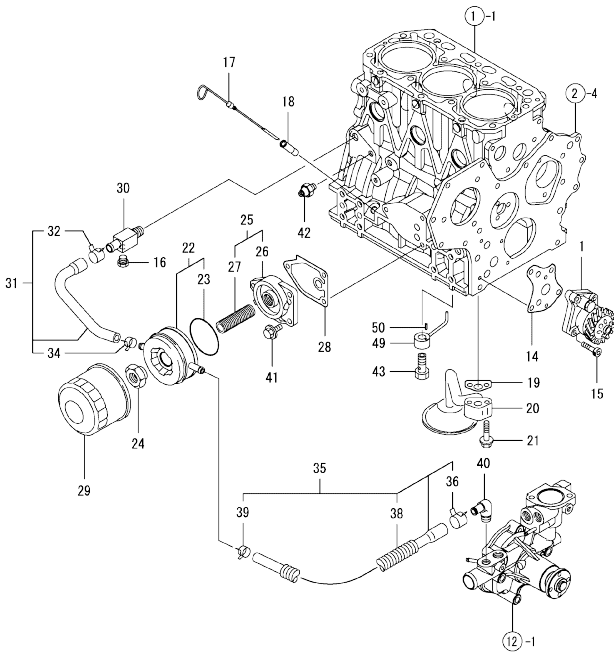
Remarks

- (1) REPAIR PART.
- (2) UNDER-SIZED(U.S=0.25)PART.
- (3) OVER-SIZED(O.S=0.25)PART.

No.	Lev.	Parts No.	Description	Q'ty						I	R
				(A)	(B)	(C)	(D)	(E)	(F)		
1	1	129008-21000	CRANKSHAFT ASSY	1							
2	2	129100-01580	PIN, M8X16	1							
4	2	119803-21200	GEAR, CRANKSHAFT	1							
5	2	22512-070140	KEY, 7X 14	1							
7	1	22351-030010	PIN, SPRING 3.0X10	1							
8	1	129004-21650	V-PULLEY, 110	1							
9	1	129795-21661	WASHER	1							
10	1	121850-21680	BOLT	1							
11	1	121111-21501	BOLT, FLYWHEEL	6							
12	1	129030-21590	FLYWHEEL ASSY	1							
14	2	119865-21600	GEAR, RING	1							
15	1	129007-22080	PISTON ASSY	3							
17	2	129007-22500	RING SET, PISTON	3							
21	1	129202-22300	PIN, PISTON D26 L70	3							
22	1	22252-000260	RING, 26	6							
23	1	729402-23100	ROD ASSY, CONNECTING	3							
26	2	121550-23200	BOLT, CONNECTING ROD	6							
27	2	129150-23601	BEARING, CRANK PIN	3							
29	1	129100-23910	BEARING, PISTON PIN	3							1
30	1	129150-23611	BEARING, 0.25 US	3							2
32	1	129007-22900	PISTON ASSY, 0.25 OS	3							3
34	2	129007-22950	RING SET, 0.25 OS	3							3

OCW10-M49100

Fig.10. LUB.OIL SYSTEM

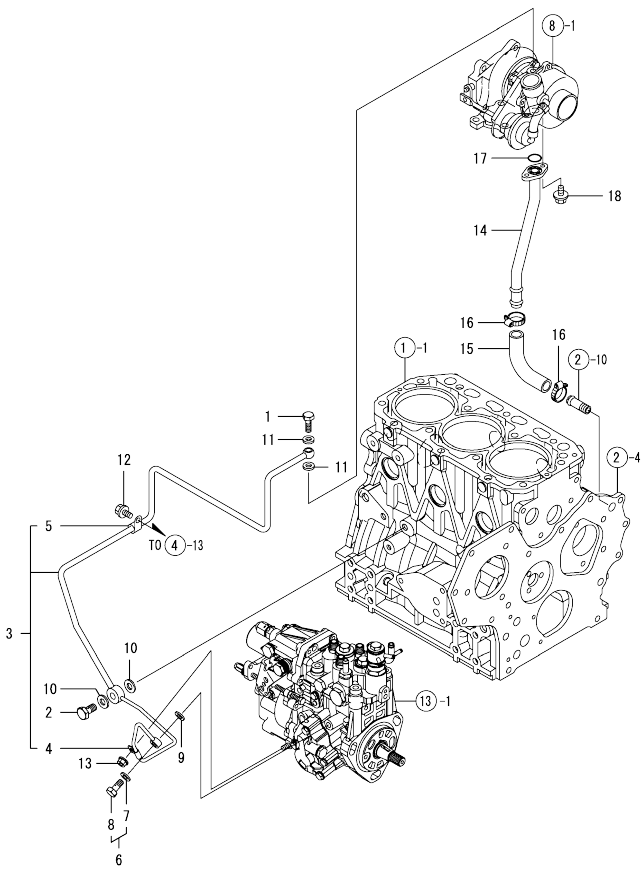


No.	Lev.	Parts No.	Description	Q'ty						I	R
				(A)	(B)	(C)	(D)	(E)	(F)		
1	1	129418-32000	PUMP ASSY, OIL	1							
14	1	129150-32020	GASKET, PUMP	1							
15	1	26450-060252	BOLT, M6X 25	4							
16	1	171056-49120	PLUG, DRAIN	1							
17	1	129004-34802	DIPSTICK, OIL	1							
18	1	121520-34810	GUIDE, DIPSTICK	1							
19	1	129150-35042	GASKET	1							
20	1	129100-35301	PIPE ASSY, OIL INLET	1							
21	1	26106-080352	BOLT, M8X 35 PLATED	2							
22	1	129508-33010	COOLER ASSY, OIL	1							
23	2	129508-33050	O-RING	1							
24	1	129417-33110	NUT	1							
25	1	129006-35100	BRACKET ASSY, FILTER	1							
26	2	119802-35110	BRACKET, FILTER	1							
27	2	129417-35150	STUD, L=67	1							
28	1	129150-35111	GASKET	1							
29	1	129150-35153	FILTER 80X80L	1							1
30	1	129006-44480	JOINT	1							
31	1	129508-49030	PIPE ASSY, WATER	1							
32	2	171008-03990	CLIP, HOSE 18.5	1							
34	2	23080-015000	CLAMP, 15	1							
35	1	129006-49040	PIPE ASSY, WATER	1							
36	2	171008-03990	CLIP, HOSE 18.5	1							
38	2	129642-49180	TUBE, CORRUGATED	1							
39	2	23080-015000	CLAMP, 15	1							
40	1	129103-49301	ELBOW, PT1/4	1							
41	1	26106-080202	BOLT, M8X 20 PLATED	3							
42	1	121252-39450	SWITCH, 0.5KG	1							
43	1	129792-39410	VALVE ASSY, CHECK	3							
49	1	129553-39650	NOZZLE	3							
50	1	22351-030010	PIN, SPRING 3.0X10	3							

Remarks  
(1) REPAIR PART.

N:Old  $\frac{100}{100}$  New, Q:Old  $\frac{100}{100}$  New, R:Old  $\frac{100}{100}$  New, S:Old  $\frac{100}{100}$  New, W:Add, Z:Discontinued, F:Interchangeable by set, K:Qty Change  
Copyright (C) YANMAR CO., LTD. All Rights Reserved.

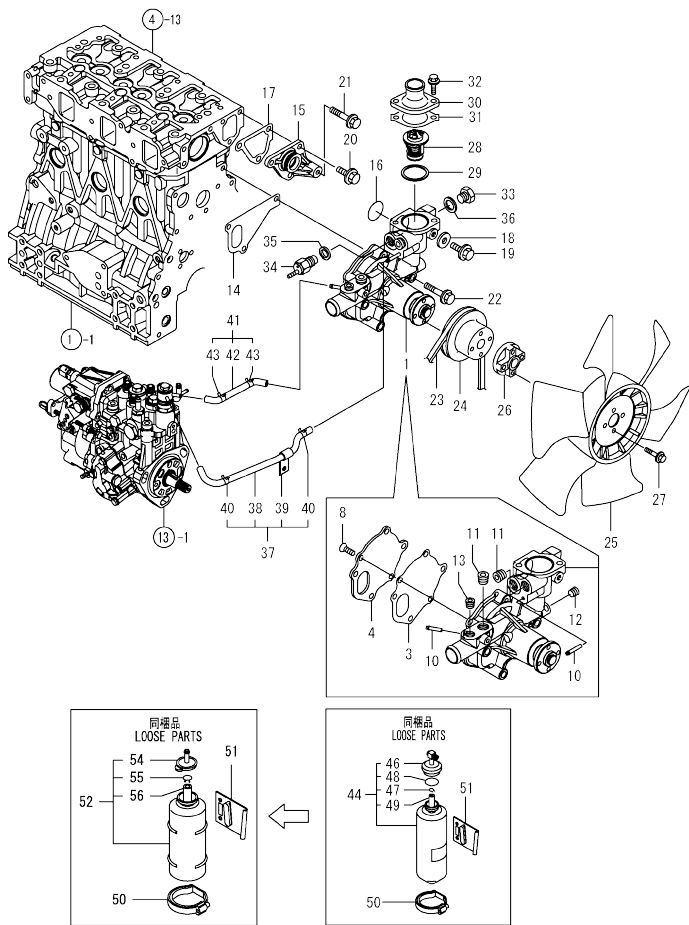
Fig.11. LUB.OIL LINE



No.	Lev.	Parts No.	Description	Q'ty						I	R
				(A)	(B)	(C)	(D)	(E)	(F)		
1	1	105010-39140	BOLT, PIPE JOINT	1							
2	1	124160-39140	BOLT, PIPE JOINT M10	1							
3	1	129033-39450	PIPE ASSY, OIL	1							
4	2	119802-39500	RETAINER, PIPE	1							
5	2	124223-39900	RETAINER	1							
6	1	129005-59830	BOLT ASSY, JOINT M8	1							
7	2	22190-080002	WASHER, SEAL 6	1							
8	2	23857-030000	BOLT, JOINT 3	1							
9	1	22190-080002	WASHER, SEAL 6	1							
10	1	22190-100002	WASHER, SEAL 10	2							
11	1	23414-080000	GASKET, 8X1.0	2							
12	1	26106-080122	BOLT, M8X 12 PLATED	1							
13	1	26366-060002	NUT, M6	1							
14	1	129033-39600	PIPE, OIL	1							
15	1	129266-39620	JOINT, PIPE	1							
16	1	23000-022000	CLAMP, 22	2							
17	1	24316-000160	O-RING, 4DP16.0	1							
18	1	26106-060162	BOLT, M6X 16 PLATED	2							

N:Old  $\frac{New}{Old}$  New, Q:Old  $\frac{New}{Old}$  New, R:Old  $\frac{New}{Old}$  New, S:Old  $\frac{New}{Old}$  New, W:Add, Z:Discontinued, F:Interchangeable by set, K:Q'ty Change  
 Copyright (C) YANMAR CO., LTD. All Rights Reserved.

Fig.12. COOLING WATER SYSTEM



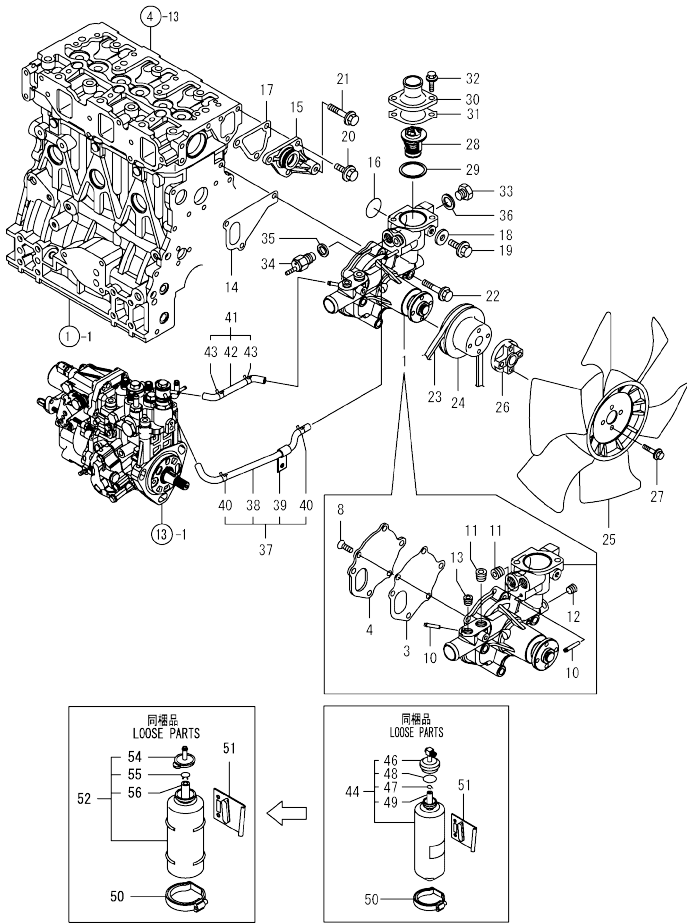
No.	Lev.	Parts No.	Description	Q'ty						I	R
				(A)	(B)	(C)	(D)	(E)	(F)		
1	1	129004-42001	PUMP ASSY, WATER	1							
3	2	129100-42051	GASKET, WATER PUMP	1							
4	2	129100-42121	PLATE	1							
8	2	121850-42410	SCREW	3							
10	2	119802-49113	JOINT, PIPE	2							
11	2	129916-49740	PLUG, R03	2							
12	2	23876-010000	PLUG, R01	1							
13	2	23876-020000	PLUG, R02	1							
14	1	129486-42021	GASKET, WATER PUMP	1							
15	1	129004-42040	JOINT	1							
16	1	129486-42140	O-RING, G30	1							
17	1	124395-49840	GASKET	1							
18	1	23414-080000	GASKET, 8X1.0	1							
19	1	26106-080122	BOLT, M8X 12 PLATED	1							
20	1	26106-080162	BOLT, M8X 16 PLATED	3							
21	1	26106-080452	BOLT, M8X 45 PLATED	1							
22	1	26106-080602	BOLT, M8X 60 PLATED	3							
23	1	129612-42290	V-BELT, A37.5	1							
24	1	129556-42350	V-PULLEY, 96	1							
25	1	129612-44700	FAN, COOLING	1							
26	1	121267-44760	SPACER	1							
27	1	26106-060302	BOLT, M6X 30 PLATED	4							
28	1	129155-49801	THERMOSTAT, 71	1							
29	1	129150-49811	GASKET, THERMOSTAT	1							
30	1	129350-49530	COVER, THERMOSTAT	1							
31	1	129795-49551	GASKET	1							
32	1	26106-080222	BOLT, M8X 22 PLATED	2							
33	1	121450-42450	PLUG, M16	1							
34	1	121250-44901	SWITCH, 110	1							
35	1	124465-44950	GASKET, 16	1							
36	1	124465-44950	GASKET, 16	1							
37	1	129004-49610	PIPE ASSY, WATER	1							
38	2	129004-49711	PIPE ASSY, WATER	1							
39	2	119802-49730	RETAINER, PIPE	1							
40	2	124722-59050	CLIP, HOSE 9	2							
41	1	129004-49620	PIPE ASSY, WATER	1							
42	2	129004-49721	PIPE ASSY, WATER	1							
43	2	124722-59050	CLIP, HOSE 9	2							
44	1	171064-44510	TANK ASSY, SUB	1							Z
46	2	121450-44531	CAP	1							Z
47	2	124450-44560	RETAINER	1							Z
48	2	121470-44581	GASKET	1							Z
49	2	23065-070225	HOSE 7X 225	1							Z
50	1	124450-44550	BAND	1							
51	1	121256-44600	BRACKET, SUB TANK	1							
52	1	124450-44510	TANK ASSY, SUB	1							W

N:Old  $\frac{New}{Old}$  New, Q:Old  $\frac{New}{Old}$  New, R:Old  $\frac{New}{Old}$  New, S:Old  $\frac{New}{Old}$  New, W:Add, Z:Discontinued, F:Interchangeable by set, K:Q'ty Change  
 ++ CONTINUE ++  
 Copyright (C) YANMAR CO., LTD. All Rights Reserved.



OCW10-M49100

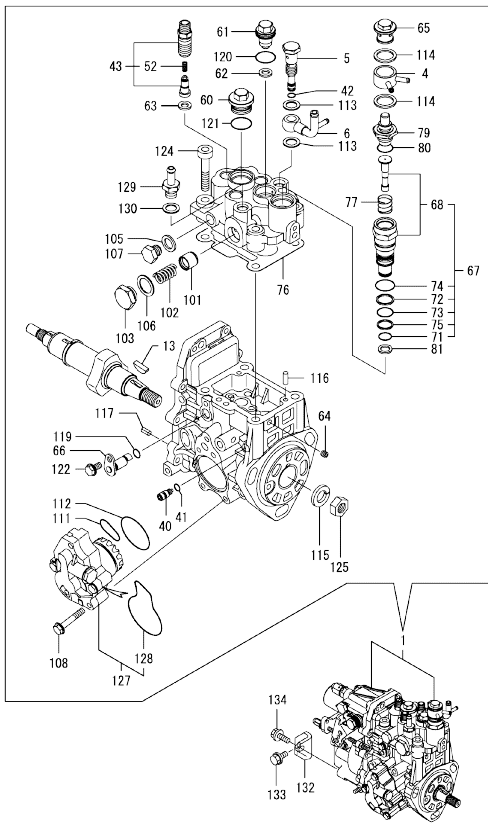
Fig.12. COOLING WATER SYSTEM



No.	Lev.	Parts No.	Description	Q'ty						I	R
				(A)	(B)	(C)	(D)	(E)	(F)		
		(A=EZZZZZ)									
54	2	124450-44530	CAP		1						W
		(A=EZZZZZ)									
55	2	124450-44560	RETAINER		1						W
		(A=EZZZZZ)									
56	2	23061-070230	PIPE, 7X 230		1						W
		(A=EZZZZZ)									

N:Old  $\frac{100}{100}$  New, Q:Old  $\frac{100}{100}$  New, R:Old  $\frac{100}{100}$  New, S:Old  $\frac{100}{100}$  New, W:Add, Z:Discontinued, F:Interchangeable by set, K:Q'ty Change  
 Copyright (C) YANMAR CO., LTD. All Rights Reserved.

Fig.13. FUEL INJECTION PUMP



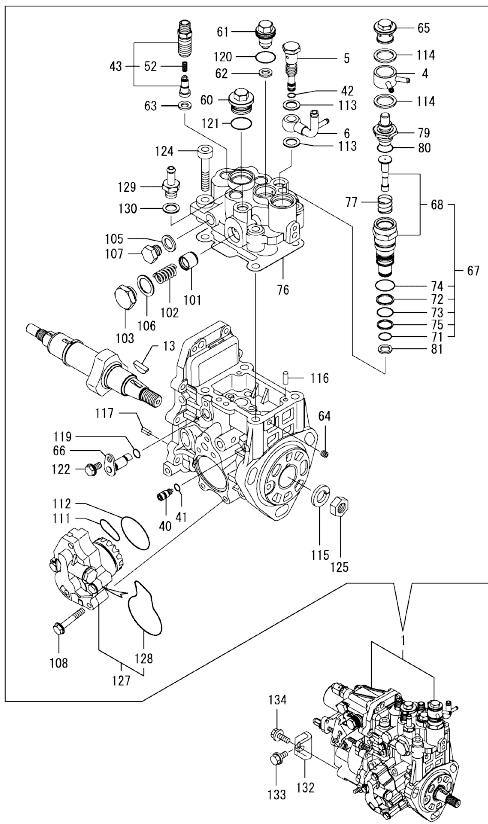
Remarks  
 (1) GOVERNOR ASSY(FIG.14) IS  
 INCORPORATED IN THIS FUEL  
 INJECTION PUMP.(REF.NO.1).

No.	Lev.	Parts No.	Description	Q'ty						I	R
				(A)	(B)	(C)	(D)	(E)	(F)		
1	1	729045-51320	PUMP ASSY, INJECTION	1							1
4	2	158553-51551	JOINT	1							
5	2	158601-51650	JOINT, OVER FLOW	1							
6	2	158552-51670	JOINT, OVER FLOW	1							
13	2	119802-51090	KEY, 4X16	1							
40	2	158600-51270	STOPPER, TAPPET	1							
41	2	158563-51281	O-RING, 4D S6	1							
42	2	158563-51281	O-RING, 4D S6	1							
43	2	129009-51390	VALVE ASSY, DELIVERY	3							
52	3	158563-51330	SPRING, DELIVERY	3							
60	2	158601-51550	PLUG	1							
61	2	119802-51560	PLUG, BARREL	1							
62	2	158552-51571	GASKET	1							
63	2	158552-51571	GASKET	3							
64	2	158557-51570	PLUG	1							
65	2	158601-51570	PLUG	1							
66	2	158552-51580	LIFTER	1							
67	2	119802-51590	TIMER SET	1							
68	3	119802-51600	TIMER ASSY	1							
71	3	158553-51670	O-RING, 1011	1							
72	3	119802-51680	RING, BACK UP	1							
73	3	119802-51690	O-RING	1							
74	3	24356-010200	O-RING, 4D1020	1							
75	3	24372-000150	RING, BACK UP T2P15	1							
76	2	158552-51600	GASKET	1							
77	2	158553-51630	SPRING, TIMER	1							
79	2	158553-51640	ELEMENT	1							
80	2	158553-51660	O-RING, P14	1							
81	2	158553-51680	GASKET	1							
101	2	158601-51770	PISTON	1							
102	2	158552-51781	SPRING	1							
103	2	158601-51790	PLUG	1							
105	2	22190-120002	WASHER, SEAL 12	1							
106	2	22190-180002	WASHER, SEAL 18	1							
107	2	23887-120002	PLUG, 12	1							
108	2	158553-51770	BOLT	4							
111	2	158552-52310	O-RING	1							
112	2	158552-52400	O-RING, 4E S42	1							
113	2	22190-120002	WASHER, SEAL 12	2							
114	2	22190-180002	WASHER, SEAL 18	2							
115	2	22217-140000	WASHER, SPRING 14	1							
116	2	22312-050140	PIN, PARALLEL M5X14	2							
117	2	22351-050010	PIN, SPRING 5.0X10	2							
119	2	24311-000070	O-RING, 1AP7.0	1							
120	2	24356-010180	O-RING, 4D1018	1							
121	2	24356-010200	O-RING, 4D1020	1							
122	2	26106-060102	BOLT, M6X 10 PLATED	1							
124	2	26450-080452	BOLT, M8X 45	4							
125	2	26776-140002	NUT, LOCK M14	1							
127	2	158552-52100	PUMP ASSY, FUEL FEED	1							
128	3	158552-52500	O-RING	1							

N:Old  $\frac{New}{Old}$  New, Q:Old  $\frac{New}{Old}$  New, R:Old  $\frac{New}{Old}$  New, S:Old  $\frac{New}{Old}$  New, W:Add, Z:Discontinued, F:Interchangeable by set, K:Q'ty Change  
 ++ CONTINUE ++  
 Copyright (C) YANMAR CO., LTD. All Rights Reserved.

OCW10-M49100

Fig.13. FUEL INJECTION PUMP



(A)=3TNV84T-6MNK  
(B)=  
(C)=

(D)=  
(E)=  
(F)=

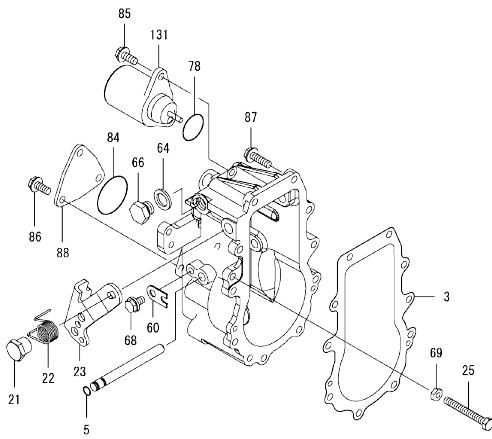
No.	Lev.	Parts No.	Description	Q'ty						I	R
				(A)	(B)	(C)	(D)	(E)	(F)		
129	2	119934-59910	JOINT, PIPE	1							
130	2	22190-120002	WASHER, SEAL 12	1							
132	1	119802-51250	RETAINER, PUMP	1							
133	1	26106-080162	BOLT, M8X 16 PLATED	1							
134	1	26106-080202	BOLT, M8X 20 PLATED	1							

Remarks  
(1) GOVERNOR ASSY(FIG.14) IS  
INCORPORATED IN THIS FUEL  
INJECTION PUMP.(REF.NO.1).

N:Old  $\frac{100}{100}$  New. Q:Old  $\frac{100}{100}$  New. R:Old  $\frac{100}{100}$  New. S:Old  $\frac{100}{100}$  New. W:Add. Z:Discontinued. F:Interchangeable by set. K:Q'ty Change  
Copyright (C) YANMAR CO., LTD. All Rights Reserved.

OCW10-M49100

Fig.14. GOVERNOR



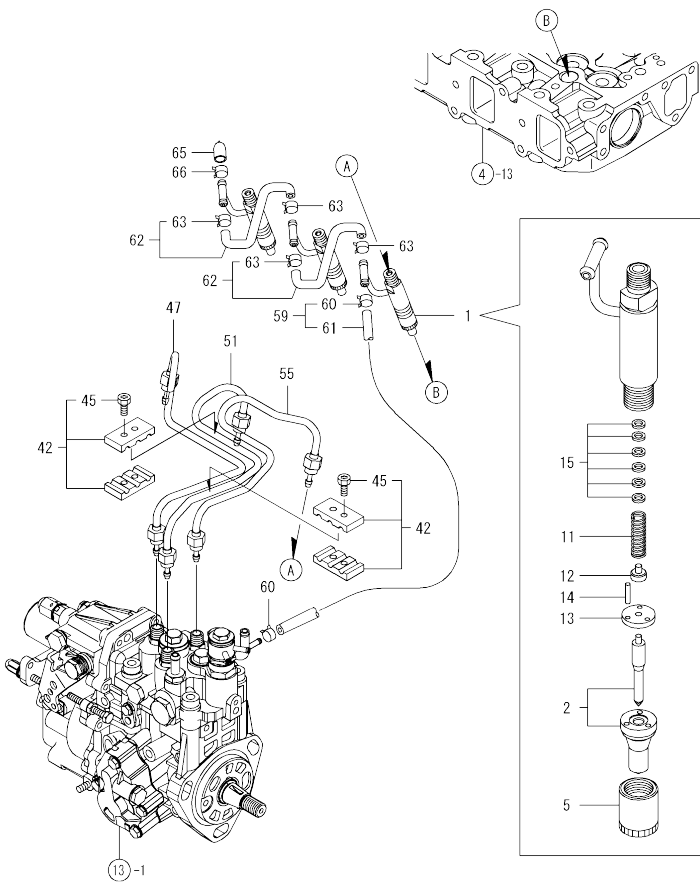
No.	Lev.	Parts No.	Description	Q'ty						I	R
				(A)	(B)	(C)	(D)	(E)	(F)		
3	2	158553-61050	GASKET	1							
5	2	129155-51280	O-RING, S6	1							
21	2	129255-61410	NUT, LOCK	1							
22	2	119807-61420	SPRING, RETURN	1							
23	2	158552-61441	LEVER, REGULATOR	1							
25	2	129155-61460	BOLT, IDLE	1							
60	2	119660-61901	RETAINER, SHAFT	1							
64	2	22190-120002	WASHER, SEAL 12	1							
66	2	23887-120002	PLUG, 12	1							
68	2	26106-060102	BOLT, M6X 10 PLATED	1							
69	2	26756-060002	NUT, LOCK M6	1							
78	2	158552-61900	O-RING	1							
84	2	24341-000360	O-RING, 1AS36.0	1							
85	2	26106-060142	BOLT, M6X 14 PLATED	2							
86	2	26106-060142	BOLT, M6X 14 PLATED	3							
87	2	26106-060202	BOLT, M6X 20 PLATED	10							
88	2	158563-61060	COVER, GOVERNOR CASE	1							
131	2	119233-77932	SOLENOID, STOP	1							

Remarks

\* THIS FIGURE(GOVERNOR ASSY)IS INCORPORATED IN THE FUEL INJECTION PUMP ASSY(FIG.13).

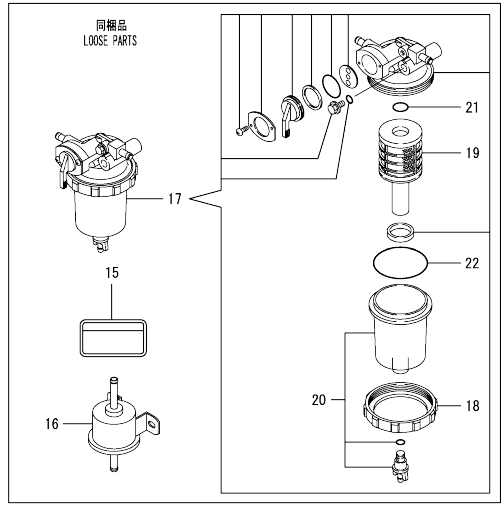
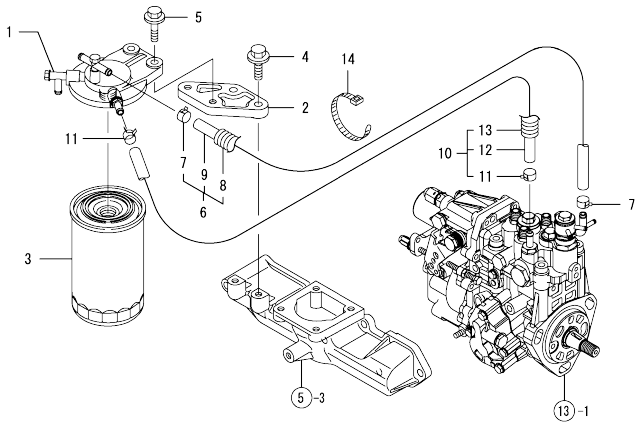
N:Old  $\frac{100}{100}$  New, Q:Old  $\frac{100}{100}$  New, R:Old  $\frac{100}{100}$  New, S:Old  $\frac{100}{100}$  New, W:Add, Z:Discontinued, F:Interchangeable by set, K:Q'ty Change  
Copyright (C) YANMAR CO., LTD. All Rights Reserved.

Fig.15. FUEL INJECTION VALVE



No.	Lev.	Parts No.	Description	Q'ty						I	R
				(A)	(B)	(C)	(D)	(E)	(F)		
1	1	729604-53200	VALVE ASSY,INJECTION	3							
2	2	129604-53000	VALVE ASSY,INJECTION	3							
5	2	114250-53080	NUT, NOZZLE D16.95	3							
11	2	114250-53120	SPRING, NOZZLE	3							
12	2	114250-53130	SEAT, SPRING	3							
13	2	114250-53140	PLATE	3							
14	2	114250-53210	PIN	6							
15	2	119803-53400	SHIM SET	3							
42	1	129150-59120	RETAINER, PIPE	2							
45	2	129150-59131	BOLT, M4X14	4							
47	1	129004-59811	PIPE ASSY, INJECTION	1							
51	1	129004-59821	PIPE ASSY, INJECTION	1							
55	1	129004-59831	PIPE ASSY, INJECTION	1							
59	1	119802-59550	PIPE ASSY, RETURN	1							
60	2	124722-59050	CLIP, HOSE 9	2							
61	2	119802-59560	PIPE, FUEL RETURN	1							
62	1	129486-59551	PIPE ASSY, RETURN	2							
63	2	124722-59050	CLIP, HOSE 9	4							
65	1	119593-59581	CAP	1							
66	1	124060-77680	CLIP, HOSE 10	1							

Fig.16. FUEL LINE

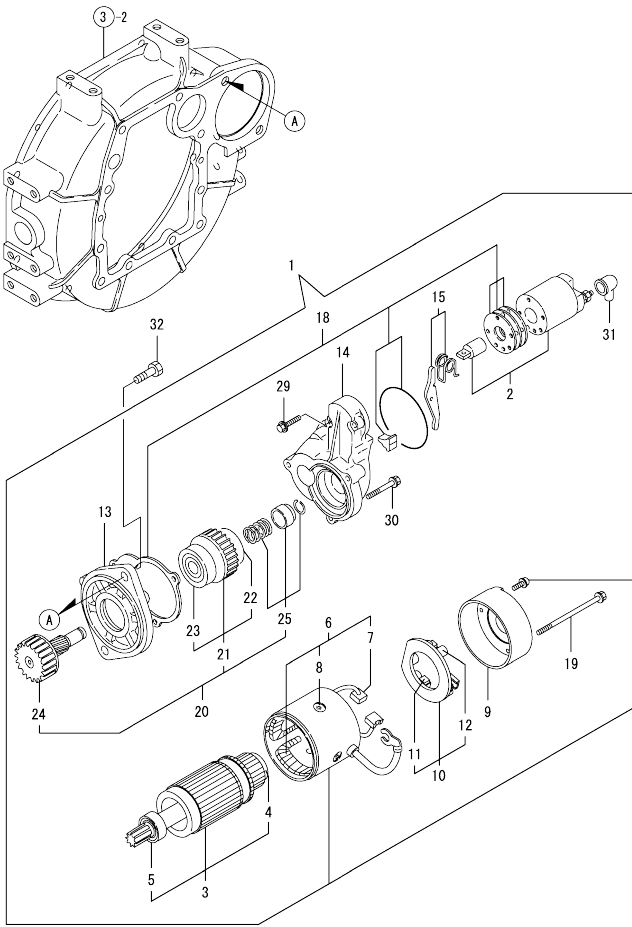


No.	Lev.	Parts No.	Description	Q'ty						I	R	
				(A)	(B)	(C)	(D)	(E)	(F)			
1	1	129004-55612	BRACKET, FILTER	1								
2	1	119940-55690	SPACER	1								
3	1	129907-55801	FILTER, FUEL	1								
4	1	26106-080252	BOLT, M8X 25 PLATED	2								
5	1	26106-080302	BOLT, M8X 30 PLATED	2								
6	1	129457-59010	PIPE ASSY, FUEL	1								
7	2	124766-59050	CLIP, HOSE 12	2								
8	2	129957-59120	TUBE, CORRUGATED	1								
9	2	105025-59750	PIPE, FUEL	1								
10	1	129961-59310	PIPE ASSY, FUEL	1								
11	2	124766-59050	CLIP, HOSE 12	2								
12	2	129136-59110	PIPE, D13/7.5X270	1								
13	2	129961-59110	TUBE, CORRUGATED	1								
14	1	121750-59890	BAND, 140	1								
15	1	114110-07760	LABEL, FUEL OIL	1								
16	1	119225-52102	PUMP ASSY, FUEL FEED	1								
17	1	119802-55700	SEPARATOR ASSY	1								
18	2	129100-55690	RING, RETAINING	1								
19	2	119802-55710	ELEMENT	1								
20	2	119802-55730	CUP ASSY	1								
21	2	24311-000160	O-RING, 1AP16.0	1								
22	2	24321-000650	O-RING, 1AG65.0	1								

N:Old  $\frac{100}{100}$  New, Q:Old  $\frac{100}{100}$  New, R:Old  $\frac{100}{100}$  New, S:Old  $\frac{100}{100}$  New, W:Add, Z:Discontinued, F:Interchangeable by set, K:Q'ty Change  
Copyright (C) YANMAR CO., LTD. All Rights Reserved.

OCW10-M49100

Fig.17. STARTING MOTOR

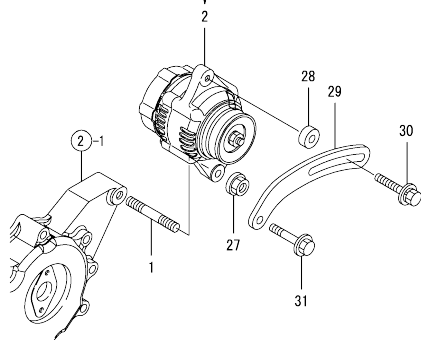
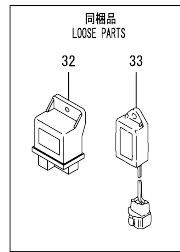
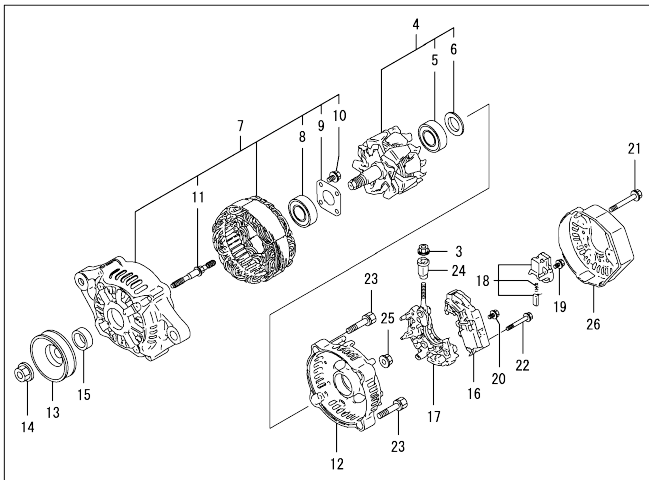


No.	Lev.	Parts No.	Description	Q'ty						I	R
				(A)	(B)	(C)	(D)	(E)	(F)		
1	1	129136-77011	STARTER	1							
2	2	129136-77310	SWITCH ASSY	1							
3	2	129900-77400	ARMATURE ASSY	1							
4	3	X2130350900	BALL BEARING	1							
5	3	X2114255110	BEARING, BALL	1							
6	2	129900-77440	COIL ASSY, FIELD	1							
7	3	129900-77450	BRUSH (+)	2							
8	3	171008-77450	SCREW	4							
9	2	129900-77460	COVER, REAR	1							
10	2	129900-77480	HOLDER ASSY, BRASH	1							
11	3	129900-77450	BRUSH (+)	2							
12	3	129400-77490	SPRING, BRUSH	4							
13	2	171008-77510	HOUSING ASSY, GEAR	1							
14	2	129136-77520	CENTER HOUSING	1							
15	2	171008-77540	LEVER SET, SHIFT	1							
18	2	129400-77571	DUST COVER, (NON-ASB.	1							
19	2	129900-77640	BOLT, THROUGHT	2							
20	2	171008-77650	PINION ASSY	1							
21	3	X2114555500	CLUTCH ASSY	1							
22	4	X2114955020	BALL BEARING	1							
23	4	X2240410100	BEARING, BALL	1							
24	3	171008-77660	SHAFT, PINION	1							
25	3	171008-77670	STOPPER SET, PINION	1							
29	2	26106-060322	BOLT, M6X 32 PLATED	2							
30	2	26106-060402	BOLT, M6X 40 PLATED	3							
31	2	171008-77750	COVER, M TERMINAL	1							
32	1	26116-120252	BOLT, M12X 25 PLATED	2							

N:Old  $\frac{100}{100}$  New, Q:Old  $\frac{100}{100}$  New, R:Old  $\frac{100}{100}$  New, S:Old  $\frac{100}{100}$  New, W:Add, Z:Discontinued, F:Interchangeable by set, K:Q'ty Change  
 Copyright (C) YANMAR CO., LTD. All Rights Reserved.

OCW10-M49100

Fig.18. GENERATOR



(A)=3TNV84T-8MNK  
(B)=  
(C)=

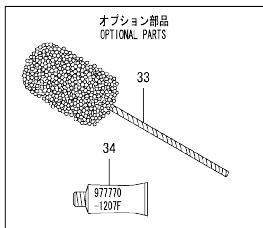
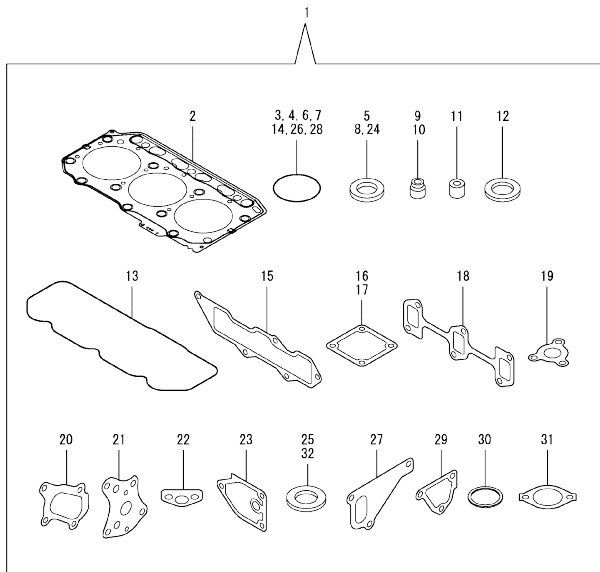
(D)=  
(E)=  
(F)=

No.	Lev.	Parts No.	Description	Q'ty						I	R
				(A)	(B)	(C)	(D)	(E)	(F)		
1	1	129795-01900	STUD	1							
2	1	119626-77210	ALTERNATOR, 12V-55A	1							
3	2	X9490561001	NUT	1							
4	2	129052-77380	ROTOR ASSY	1							
5	3	123501-79240	BEARING, BALL	1							
6	3	119620-79250	COVER, BEARING	1							
7	2	129052-77422	FRAME ASSY	1							
8	3	119620-79200	BALL BEARING	1							
9	3	119620-79210	PLATE, RETAINER	1							
10	3	119620-79220	SCREW	4							
11	3	119620-79230	STUD	2							
12	2	128401-77440	FRAME	1							
13	2	119620-77461	PULLEY	1							
14	2	119620-77471	NUT	1							
15	2	119620-77490	COLLAR	1							
16	2	119626-77710	REGULATOR ASSY	1							
17	2	129052-79260	HOLDER	1							
18	2	129052-79270	HOLDER, BRUSH	1							
19	2	119620-79290	SCREW	6							
20	2	119620-79300	SCREW	1							
21	2	119620-79310	BOLT	3							
22	2	119620-79320	SCREW	2							
23	2	119620-79330	BOLT	2							
24	2	119620-79340	BUSH, INSULATION	1							
25	2	119620-79350	NUT	2							
26	2	119626-77450	COVER, END, RR	1							
27	1	26306-100002	NUT, M10	1							
28	1	119940-77270	SPACER, GENERATOR	1							
29	1	119802-77330	ADJUSTER	1							
30	1	129972-77341	BOLT, ADJUSTER L=50	1							
31	1	26106-080452	BOLT, M8X 45 PLATED	1							
32	1	119802-77200	RELAY, SAFETY	1							
33	1	129211-77920	TIMER	1							



OCW10-M49100

Fig.19. GASKET SET



Remarks  
(1) OPTIONAL PART.

No.	Lev.	Parts No.	Description	Q'ty						I	R	
				(A)	(B)	(C)	(D)	(E)	(F)			
1	1	729246-92900	GASKET SET	1							1	
2	2	129002-01331	GASKET, HEAD	1								
3	2	119609-32040	O-RING, P16	2								
4	2	121850-51960	O-RING	1								
5	2	22190-080002	WASHER, SEAL 6	7								
6	2	24311-000320	O-RING, 1AP32.0	2								
7	2	24341-000240	O-RING, 1AS24.0	1								
8	2	22190-220002	WASHER, SEAL 22	1								
9	2	121400-11340	SEAL, VALVE STEM	3								
10	2	124460-11340	SEAL, VALVE STEM	3								
11	2	119802-11870	PROTECTOR, NOZZLE	3								
12	2	119625-11880	SEAT, NOZZLE	3								
13	2	129004-11310	GASKET, BONNET	1								
14	2	24311-000120	O-RING, 1AP12.0	3								
15	2	129001-12110	GASKET, MANIFOLD	1								
16	2	129100-77510	GASKET, AIR HEATER	1								
17	2	129150-77511	GASKET	1								
18	2	129150-13110	GASKET	1								
19	2	129535-18100	GASKET	1								
20	2	129403-18091	GASKET	1								
21	2	129150-32020	GASKET, PUMP	1								
22	2	129150-35042	GASKET	1								
23	2	129150-35111	GASKET	1								
24	2	22190-100002	WASHER, SEAL 10	2								
25	2	23414-080000	GASKET, 8X1.0	3								
26	2	24316-000160	O-RING, 4DP16.0	1								
27	2	129486-42021	GASKET, WATER PUMP	1								
28	2	129486-42140	O-RING, G30	1								
29	2	124395-49840	GASKET	1								
30	2	129150-49811	GASKET, THERMOSTAT	1								
31	2	129795-49551	GASKET	1								
32	2	124465-44950	GASKET, 16	2								
33	1	129400-92420	FLEX HORN	1								1
34	1	977770-1207F	GASKET, LIQUID	1								1

N:Old  $\frac{100}{100}$  New, Q:Old  $\frac{100}{100}$  New, R:Old  $\frac{100}{100}$  New, S:Old  $\frac{100}{100}$  New, W:Add, Z:Discontinued, F:Interchangeable by set, K:Qty Change  
Copyright (C) YANMAR CO., LTD. All Rights Reserved.

## Parts No. Index

Parts No.	Fig. No.	Ref. No.
105010-39140	11	1
105025-59750	16	9
114110-07760	16	15
114250-53080	15	5
114250-53120	15	11
114250-53130	15	12
114250-53140	15	13
114250-53210	15	14
119131-18320	6	5
119225-52102	16	16
119233-77932	14	131
119593-59581	15	65
119609-32040	2	9
	19	3
119620-01750	3	3
119620-77461	18	13
119620-77471	18	14
119620-77490	18	15
119620-79200	18	8
119620-79210	18	9
119620-79220	18	10
119620-79230	18	11
119620-79250	18	6
119620-79290	18	19
119620-79300	18	20
119620-79310	18	21
119620-79320	18	22
119620-79330	18	23
119620-79340	18	24
119620-79350	18	25
119625-11880	4	33
	19	12
119626-77210	18	2
119626-77450	18	26
119626-77710	18	16
119640-01640	3	8
119660-61901	14	60
119802-01561	2	5
119802-03110	4	44
119802-03121	4	45
119802-03130	4	46
119802-03141	4	47
119802-11260	4	4
119802-11270	4	5
119802-11280	4	6
119802-11870	4	32
	19	11
119802-13620	6	3
119802-13640	6	4
119802-25071	7	13

Parts No.	Fig. No.	Ref. No.
119802-25101	7	10
119802-25901	7	16
119802-35110	10	26
119802-39500	11	4
119802-49113	12	10
119802-49730	12	39
119802-51090	13	13
119802-51250	13	132
119802-51560	13	61
119802-51590	13	67
119802-51600	13	68
119802-51680	13	72
119802-51690	13	73
119802-55700	16	17
119802-55710	16	19
119802-55730	16	20
119802-59550	15	59
119802-59560	15	61
119802-77200	18	32
119802-77330	18	29
119803-21200	9	4
119803-25050	7	9
119803-53400	15	15
119807-61420	14	22
119865-21600	9	14
119934-01800	2	3
119934-59910	13	129
119940-55690	16	2
119940-77270	18	28
120130-11860	4	30
120270-54410	4	35
121023-01551	2	21
121111-21501	9	11
121250-44901	12	34
121252-39450	10	42
121256-44600	12	51
121267-44760	12	26
121400-11340	4	26
	19	9
121450-42450	12	33
121450-44531	12	46
121470-44581	12	48
121520-34810	10	18
121550-23200	9	26
121750-59890	16	14
121850-21680	9	10
121850-42410	12	8
121850-51960	2	11
	19	4
123501-79240	18	5

Parts No.	Fig. No.	Ref. No.
124060-01050	1	11
124060-77680	15	66
124160-01751	2	6
	4	40
124160-01910	1	12
	13	
124160-11360	4	54
124160-39140	11	2
124223-39900	11	5
124240-01871	2	7
124395-49840	12	17
	19	29
124450-44510	12	52
124450-44530	12	54
124450-44550	12	50
124450-44560	12	47
	55	
124460-11340	4	27
	19	10
124465-44950	12	35
	36	
	19	32
124722-59050	12	40
	43	
	15	60
	63	
124766-59050	16	7
	11	
128401-77440	18	12
129001-01250	1	4
129001-02931	1	29
129001-12110	5	2
	19	15
129002-01331	1	28
	19	2
129004-03010	4	42
129004-11130	4	23
129004-11241	4	1
129004-11251	4	2
129004-11310	4	49
	19	13
129004-11650	4	8
129004-11900	4	34
129004-21650	9	8
129004-34802	10	17
129004-42001	12	1
129004-42040	12	15
129004-49610	12	37
129004-49620	12	41
129004-49711	12	38

Parts No.	Fig. No.	Ref. No.
129004-49721	12	42
129004-55612	16	1
129004-59811	15	47
129004-59821	15	51
129004-59831	15	55
129005-59830	11	6
129006-12111	5	3
129006-35100	10	25
129006-44480	10	30
129006-49040	10	35
129007-22080	9	15
129007-22500	9	17
129007-22900	9	32
129007-22950	9	34
129008-21000	9	1
129009-01520	2	4
129009-11340	4	50
129009-11350	4	41
129009-11710	4	13
129009-51390	13	43
129030-21590	9	12
129033-39450	11	3
129033-39600	11	14
129052-77380	18	4
129052-77422	18	7
129052-79260	18	17
129052-79270	18	18
129072-12010	5	1
129080-18011	8	1
129100-01580	3	1
	9	2
129100-01640	3	15
129100-01730	3	6
129100-01760	3	7
129100-11130	4	24
129100-23910	9	29
129100-35301	10	20
129100-42051	12	3
129100-42121	12	4
129100-55690	16	18
129100-77501	5	8
129100-77510	5	9
	19	16
129103-13100	6	1
129103-49301	10	40
129122-44480	2	10
129129-14580	7	3
129136-59110	16	12
129136-77011	17	1

## Parts No. Index

Parts No.	Fig. No.	Ref. No.
129136-77310	17	2
129136-77520	17	14
129150-01200	1	27
129150-02020	1	6
129150-02450	7	4
129150-02871	1	32
129150-02931	1	24
129150-02941	1	35
129150-03070	4	43
129150-11230	4	9
129150-11280	4	7
129150-11370	4	12
129150-11750	4	11
129150-11810	4	31
129150-13110	6	2
	19	18
129150-14101	7	6
129150-14200	7	1
129150-14400	7	2
129150-23601	9	27
129150-23611	9	30
129150-25301	7	15
129150-32020	10	14
	19	21
129150-35042	10	19
	19	22
129150-35111	10	28
	19	23
129150-35153	10	29
129150-49811	12	29
	19	30
129150-59120	15	42
129150-59131	15	45
129150-77511	5	10
	19	17
129155-49801	12	28
129155-51280	14	5
129155-61460	14	25
129165-77520	5	11
129202-22300	9	21
129211-77920	18	33
129255-61410	14	21
129266-39620	11	15
129350-49530	12	30
129400-77490	17	12
129400-77571	17	18
129400-92420	19	33
129403-18091	8	5
	19	20
129417-33110	10	24

Parts No.	Fig. No.	Ref. No.
129417-35150	10	27
129418-18320	8	3
129418-32000	10	1
129457-59010	16	6
129486-01670	3	18
129486-42021	12	14
	19	27
129486-42140	12	16
	19	28
129486-59551	15	62
129508-33010	10	22
129508-33050	10	23
129508-49030	10	31
129535-18100	8	2
	19	19
129553-39650	10	49
129556-42350	12	24
129604-53000	15	2
129612-01600	3	2
129612-42290	12	23
129612-44700	12	25
129642-49180	10	38
129792-39410	10	43
129795-01780	3	17
129795-01900	18	1
129795-01950	2	8
129795-02412	1	9
129795-11120	4	22
129795-11180	4	25
129795-21661	9	9
129795-49551	12	31
	19	31
129900-07900	4	57
129900-77400	17	3
129900-77440	17	6
129900-77450	17	7
	11	
129900-77460	17	9
129900-77480	17	10
129900-77640	17	19
129907-55801	16	3
129916-49740	12	11
129957-59120	16	8
129961-59110	16	13
129961-59310	16	10
129972-77341	18	30
158552-51151	7	17
158552-51571	13	62
	63	
158552-51580	13	66

Parts No.	Fig. No.	Ref. No.
158552-51600	13	76
158552-51670	13	6
158552-51781	13	102
158552-52100	13	127
158552-52310	13	111
158552-52400	13	112
158552-52500	13	128
158552-61441	14	23
158552-61900	14	78
158553-51551	13	4
158553-51630	13	77
158553-51640	13	79
158553-51660	13	80
158553-51670	13	71
158553-51680	13	81
158553-51770	13	108
158553-61050	14	3
158557-51570	13	64
158563-51281	13	41
	42	
158563-51330	13	52
158563-61060	14	88
158600-51270	13	40
158601-51550	13	60
158601-51570	13	65
158601-51650	13	5
158601-51770	13	101
158601-51790	13	103
171008-03990	10	32
	36	
171008-77450	17	8
171008-77510	17	13
171008-77540	17	15
171008-77650	17	20
171008-77660	17	24
171008-77670	17	25
171008-77750	17	31
171051-01921	1	5
171056-49120	10	16
171064-44510	12	44
22190-080002	2	12
	13	
	11	7
	9	
	19	5
22190-100002	11	10
	19	24
22190-120002	13	105
	113	
	130	

Parts No.	Fig. No.	Ref. No.
22190-120002	14	64
22190-180002	13	106
		114
22190-220002	3	10
	19	8
22217-140000	7	18
	13	115
22252-000260	9	22
22312-050140	13	116
22351-030010	9	7
	10	50
22351-050010	13	117
22351-060012	4	36
22512-070140	7	7
	9	5
22857-500100	4	51
		52
		53
23000-022000	11	16
23000-041000	5	4
23000-060000	5	5
23061-070230	12	56
23065-070225	12	49
23080-015000	10	34
		39
23414-080000	11	11
	12	18
	19	25
23857-030000	11	8
23876-010000	12	12
23876-020000	12	13
23887-120002	13	107
	14	66
24311-000070	13	119
24311-000120	4	55
	19	14
24311-000160	16	21
24311-000320	2	14
	4	56
	19	6
24316-000160	11	17
	19	26
24321-000650	16	22
24341-000240	2	22
	19	7
24341-000360	14	84
24356-010180	13	120
24356-010200	13	74
		121
24372-000150	13	75

## Parts No. Index

Parts No.	Fig. No.	Ref. No.
26106-060102	13	122
	14	68
26106-060142	14	85
		86
26106-060162	2	23
	11	18
26106-060202	14	87
26106-060302	12	27
26106-060322	17	29
26106-060402	17	30
26106-080122	11	12
	12	19
26106-080142	7	8
26106-080162	2	15
		16
	3	11
	4	58
	12	20
	13	133
26106-080202	5	6
	10	41
	13	134
26106-080222	12	32
26106-080252	3	12
	4	37
	16	4
26106-080302	2	17
	16	5
26106-080352	3	19
	4	38
	10	21
26106-080402	5	12
	7	14
26106-080452	3	13
		13 -1
	12	21
	18	31
26106-080502	3	20
	4	39
26106-080552	2	18
26106-080602	12	22
26106-080802	5	7
26106-080852	2	19
26116-120252	17	32
26206-100252	3	4
26206-100302	3	5
26306-080002	2	20
	8	4
26306-100002	18	27
26366-060002	11	13

Parts No.	Fig. No.	Ref. No.
26450-060252	10	15
26450-080452	13	124
26756-060002	14	69
26776-140002	7	19
	13	125
27241-120000	1	14
27241-300000	1	10
27241-400000	4	21
27310-080001	4	28
719803-01500	2	1
729006-01560	1	1
729045-51320	13	1
729246-92900	19	1
729402-23100	9	23
729604-53200	15	1
977770-1207F	19	34
X2114255110	17	5
X2114555500	17	21
X2114955020	17	22
X2130350900	17	4
X2240410100	17	23
X9490561001	18	3

Parts No.	Fig. No.	Ref. No.
-----------	----------	----------

Parts No.	Fig. No.	Ref. No.
-----------	----------	----------