

0CW10-M31500EN

P R E F A C E

1. This parts catalog is the 1st edition of 3TNV84T-BGGE, 3TNV84T-BGGET, 3TNV84T-BGGEC.

Pub. No. : 0CW10-G31500

Published : February, 2008

2. Model name

Engine model	Vehicle	Vehicle made by
3TNV84T-BGGE 3TNV84T-BGGET 3TNV84T-BGGEC	GENERATOR	—

Directions for the Parts Catalog.

1. This Parts Catalog shows both standard and optional parts.
2. Parts may change without prior notice.
3. The following is an example of the Parts Catalog format.

REF.	LEV.	PARTS NO.	DESCRIPTION	Q'TY						I	R
				(A)	(B)	(C)	(D)	(E)	(F)		
1	1	729595-51390	FUEL INJECTION PUMP	1	1	1	1	1			1
1-1	1	729595-51391	FUEL INJECTION PUMP	1	1	1	1	1		N	1
		(A=E00185) (B=E00200)									
3	2	26022-060162	SCREW M 6X 16	9	9	9	9	9			
3-1	2	26022-060162	SCREW M 6X 16	4	4	4	4	4		K	
		(A=E00156) (B=E00156) (C=E00156) (D=E00156) (E=E00156)									
4	2	129470-51040	CAMSHAFT	1	1	1	1	1			
5	2	122710-51050	BEARING, ROLLER	2	2	2	2	2			
6	2	129470-51060	RETAINER	1	1	1	1	1			

Remarks
(1) BOOST COMPEMSATOR TYPE. OPTIONAL PART, TO E00155,(4JH-DT, 4JH-DTZ

① Ref. No.

The Ref. No. listed may not be in accordance with the illustration Ref. No.

(Ex.) Illustration No.

List Ref No.

1 1 (Before change) → 1-1 (After change)

For interchangeable symbols N, R and K, illustrations for new parts may be abbreviated.

② Lev. (Level)

Level indication

The numbers below indicate the level of relativity towards the main part.

1 ---- Main parts (Assembly parts)

2 ---- Sub component included in " 1 ".

3 ---- Sub component included in " 2 ".

Note) Parts that are not for sale are partially illustrated but not listed.

③ Interchangeability Symbol

When a part change takes place, one of the following interchangeability symbols is indicated beside the part.

Symbol	Interchangeability	Contents note
N	Old $\begin{matrix} \leftarrow \text{Yes} \\ \text{No} \rightarrow \end{matrix}$ New	New Part is interchangeable for Old Part but Old Part is not interchangeable for New Part.
Q	Old $\begin{matrix} \leftarrow \text{No} \\ \text{Yes} \rightarrow \end{matrix}$ New	New Part is not interchangeable for Old Part but Old Part is interchangeable for New Part.
R	Old $\begin{matrix} \leftarrow \text{Yes} \\ \text{Yes} \rightarrow \end{matrix}$ New	New/ Old Parts are both interchangeable.
S	Old $\begin{matrix} \leftarrow \text{No} \\ \text{No} \rightarrow \end{matrix}$ New	New/ Old Parts are both not interchangeable.
W		Part newly added.
Z		Part discontinued.
F		Not interchangeable by a single part but interchangeable together with related parts.
K		Changes only for used parts quantities.

④ Effective Machine No.

When a part changes, the effective Machine No. will be indicated in the (A)-(F) column.

Product Symbol	Product No.	Product Symbol	Product No.
C	Clutch No. Compressor No.	F	Machine No. (Agricultural Equip.)
D	Drive No.	M	Machine No.
E	Engine No.		

Note 1) A date may follow the symbol. (Ex.) 1996.01

Note 2) "XXXXX" and "ZZZZZ" are for parts that could not be predicted or for engine models that could not be identified.

Note 3) (A=E00185) is the E (Engine Serial Number) for the column (A) model (in this case 4JH-DT) after the parts design change.

⑤ Remarks

Figures or alphabets (symbols) are entered in the remarks column.

The comments (remarks) on parts that are indicated at the bottom of the illustration are the same symbols as those stated above.

Contents

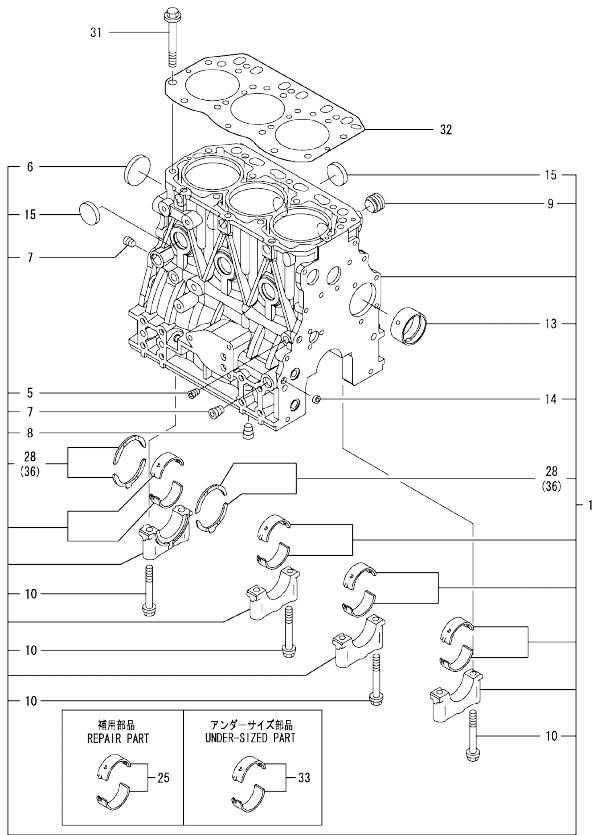
0CW10-M31500

Fig. No.	Fig. Name	Fig. No.	Fig. Name
3TNV84T-BGGE			
1.	CYLINDER BLOCK		
2.	GEAR HOUSING		
3.	FLYWHEEL HOUSING & OIL SUMP		
4.	CYLINDER HEAD & BONNET		
5.	SUCTION MANIFOLD		
6.	EXHAUST MANIFOLD		
7.	CAMSHAFT & DRIVING GEAR		
8.	TURBINE		
9.	CRANKSHAFT & PISTON		
10.	LUB.OIL SYSTEM		
11.	LUB.OIL LINE		
12.	COOLING WATER SYSTEM		
13.	FUEL INJECTION PUMP		
14.	GOVERNOR		
15.	FUEL INJECTION VALVE		
16.	FUEL LINE		
17.	STARTING MOTOR		
18.	GENERATOR		
19.	GASKET SET		

Fig.1. CYLINDER BLOCK

(A)=3TNV84T-BGGE
 (B)=3TNV84T-BGGET
 (C)=3TNV84T-BGGEC

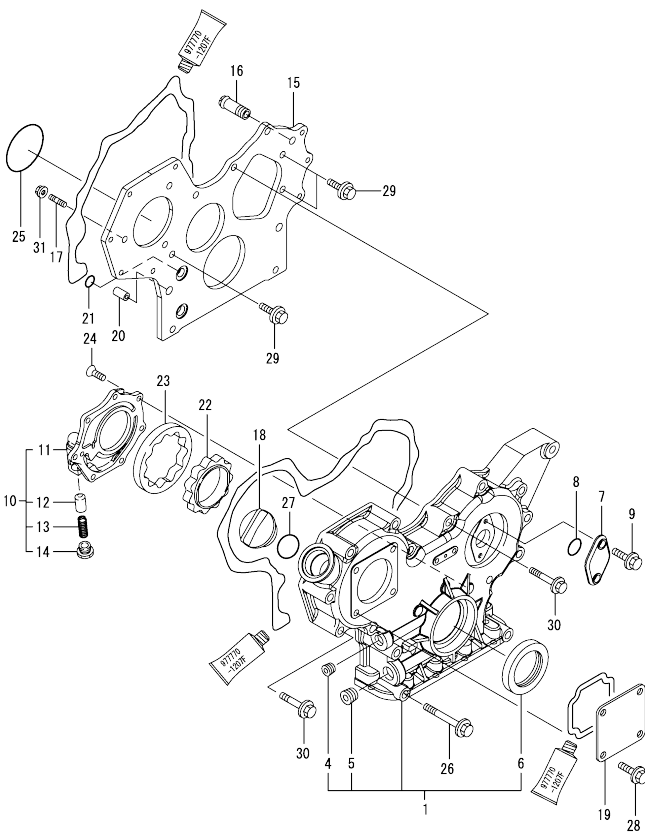
(D)=
 (E)=
 (F)=



No.	Lev.	Parts No.	Description	Q'ty						I	R
				(A)	(B)	(C)	(D)	(E)	(F)		
1	1	729006-01560	BLOCK ASSY, CYLINDER	1	1	1					
5	2	124060-01050	PLUG, PT1/8	1	1	1					
6	2	129001-01250	PLUG, 50	1	1	1					
7	2	124160-01910	PLUG, PT1/4	2	2	2					
8	2	124160-01910	PLUG, PT1/4	1	1	1					
9	2	171051-01921	PLUG, NPTF1	1	1	1					
10	2	129150-02020	BOLT, METAL CAP	8	8	8					
13	2	129795-02412	BUSH, CAMSHAFT	1	1	1					
14	2	27241-120000	PLUG, 12	2	2	2					
15	2	27241-300000	PLUG 30	6	6	6					
25	2	129001-02931	BEARING, MAIN	4	4	4					3
28	2	129150-02931	BEARING, THRUST	2	2	2					
31	1	129150-01200	BOLT, HEAD	14	14	14					
32	1	129002-01331	GASKET, HEAD	1	1	1					
33	1	129150-02871	BEARING, 0.25 US	4	4	4					1
36	1	129150-02941	BEARING, THRUST 0.25	1	1	1					2

Remarks
 (1) UNDER-SIZED(U.S=0.25)PART.
 (2) OVER-SIZED(O.S=0.25)PART.
 (3) REPAIR PART.

Fig.2. GEAR HOUSING



(A)=3TNV84T-BGGE
(B)=3TNV84T-BGGET
(C)=3TNV84T-BGGEC

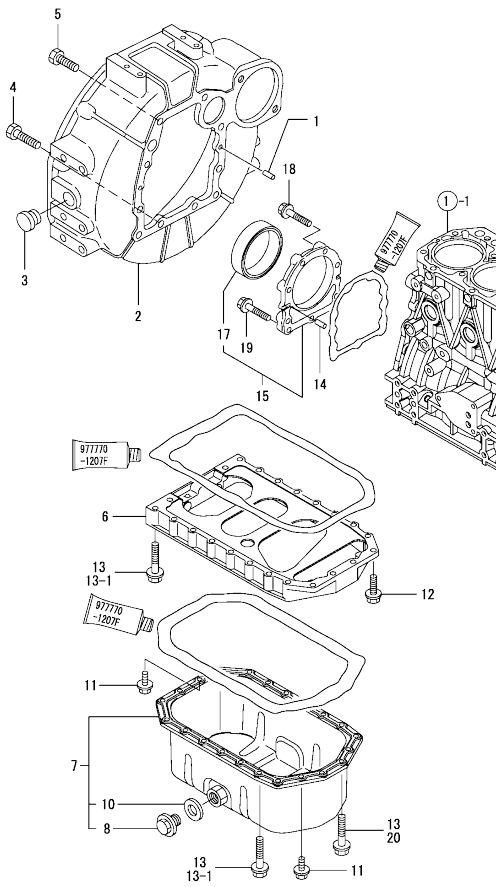
(D)=
(E)=
(F)=

No.	Lev.	Parts No.	Description	Qty						I	R
				(A)	(B)	(C)	(D)	(E)	(F)		
1	1	719802-01500	CASE ASSY, GEAR	1	1	1					
4	2	23876-030000	PLUG, R03	1	1	1					
5	2	23876-040000	PLUG, R04	1	1	1					
6	2	119934-01800	SEAL, OIL	1	1	1					
7	1	121023-01551	COVER	1	1	1					
8	1	24341-000240	O-RING, 1AS24.0	1	1	1					
9	1	26106-060162	BOLT, M6X 16 PLATED	2	2	2					
10	1	119802-32100	COVER ASSY	1	1	1					
11	2	119802-32070	COVER	1	1	1					
12	2	129900-32130	VALVE, RELIEF	1	1	1					
13	2	129418-32320	SPRING	1	1	1					
14	2	129001-32330	PLUG	1	1	1					
15	1	129006-01520	FLANGE, GEAR CASE	1	1	1					
16	1	129122-44480	JOINT	1	1	1					
17	1	119802-01561	STUD, M8X25	3	3	3					
18	1	124160-01751	COVER, FILLER	1	1	1					
19	1	124240-01871	COVER	1	1	1					
20	1	129795-01950	PIPE, KNOCK L=18	2	2	2					
21	1	119609-32040	O-RING, P16	4	4	4					
22	1	119802-32111	ROTOR, INNER	1	1	1					
23	1	119802-32120	ROTOR, OUTER	1	1	1					
24	1	119802-32130	SCREW, M6X16	7	7	7					
25	1	121850-51960	O-RING	1	1	1					
26	1	129001-91841	BOLT, M8X85	3	3	3					
27	1	24311-000320	O-RING, 1AP32.0	1	1	1					
28	1	26106-080162	BOLT, M8X 16 PLATED	4	4	4					
29	1	26106-080162	BOLT, M8X 16 PLATED	3	3	3					
30	1	26106-080552	BOLT, M8X 55 PLATED	12	12	12					
31	1	26306-080002	NUT, M8	3	3	3					

Fig.3. FLYWHEEL HOUSING & OIL SUMP

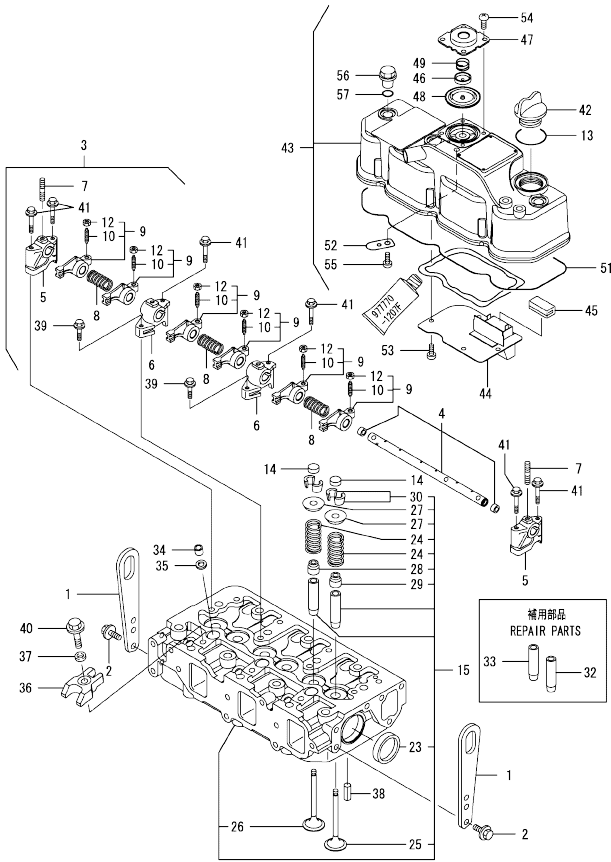
(A)=3TNV84T-BGGE
 (B)=3TNV84T-BGGET
 (C)=3TNV84T-BGGEC

(D)=
 (E)=
 (F)=



No.	Lev.	Parts No.	Description	Q'ty						I	R
				(A)	(B)	(C)	(D)	(E)	(F)		
1	1	129100-01580	PIN, M8X16	2	2	2					
2	1	171420-01600	HOUSING, FLYWHEEL	1	1	1					
3	1	119620-01750	CAP	1	1	1					
4	1	26206-100302	BOLT, M10X 30 PLATED	4	4	4					
5	1	26206-100252	BOLT, M10X 25 PLATED	6	6	6					
6	1	129100-01730	SPACER, OIL SUMP	1	1	1					
7	1	129100-01760	SUMP ASSY, OIL	1	1	1					
8	2	119640-01640	PLUG, DRAIN M22	1	1	1					
10	2	22190-220002	WASHER, SEAL 22	1	1	1					
11	1	26106-080162	BOLT, M8X 16 PLATED	4	4	4					
12	1	26106-080252	BOLT, M8X 25 PLATED	2	2	2					
13	1	26106-080452	BOLT, M8X 45 PLATED	20	20	20					
13-1	1	26106-080452	BOLT, M8X 45 PLATED	16	16	16					K
		(A=FROM 1ST) (B=FROM 1ST) (C=FROM 1ST)									
14	1	129100-01580	PIN, M8X16	2	2	2					
15	1	129100-01640	CASE ASSY, OIL SEAL	1	1	1					
17	2	129795-01780	SEAL, OIL	1	1	1					
18	1	129486-01670	BOLT, M8X30	6	6	6					
19	1	26106-080352	BOLT, M8X 35 PLATED	3	3	3					
20	1	26106-080502	BOLT, M8X 50 PLATED	4	4	4					W
		(A=FROM 1ST) (B=FROM 1ST) (C=FROM 1ST)									

Fig.4. CYLINDER HEAD & BONNET



(A)=3TNV84T-BGGE
(B)=3TNV84T-BGGET
(C)=3TNV84T-BGGEC

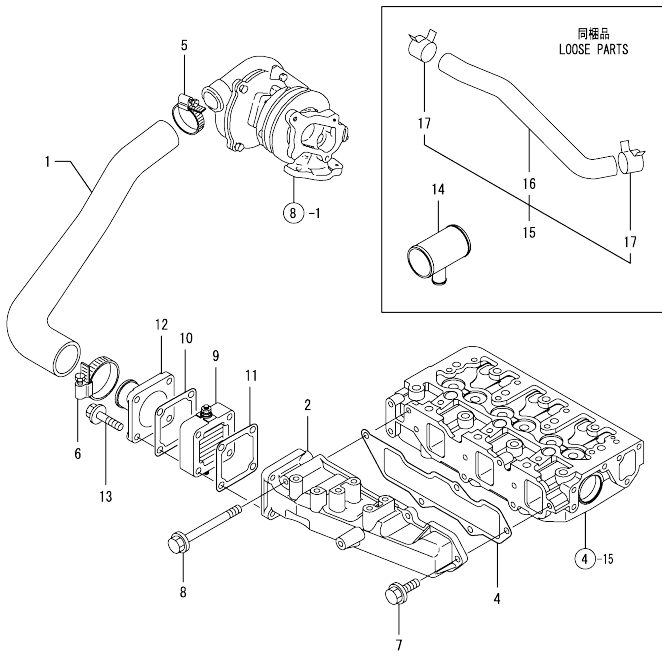
(D)=
(E)=
(F)=

No.	Lev.	Parts No.	Description	Q'ty						I	R
				(A)	(B)	(C)	(D)	(E)	(F)		
1	1	129900-07900	LIFTER	2	2	2					
2	1	26106-080162	BOLT, M8X 16 PLATED	4	4	4					
3	1	129004-11241	SHAFT ASSY, ROCKER	1	1	1					
4	2	129004-11251	SHAFT, ROCKER ARM	1	1	1					
5	2	119802-11260	SUPPORT, ROCKER ARM	2	2	2					
6	2	119802-11270	SUPPORT, ROCKER ARM	2	2	2					
7	2	119802-11280	STUD	3	3	3					
8	2	129150-11280	SPRING	3	3	3					
9	2	129004-11650	ARM, ROCKER	6	6	6					
10	3	129150-11230	SCREW, VALVE ADJUST	6	6	6					
12	3	129150-11750	NUT, M8	6	6	6					
13	1	24311-000320	O-RING, 1AP32.0	1	1	1					
14	1	129150-11370	CAP, VALVE	6	6	6					
15	1	129009-11710	HEAD ASSY, CYLINDER	1	1	1					
23	2	27241-400000	PLUG, 40	2	2	2					
24	2	129795-11120	SPRING, VALVE	6	6	6					
25	2	129004-11130	VALVE, INTAKE	3	3	3					
26	2	129100-11130	VALVE, EXHAUST	3	3	3					
27	2	129795-11180	RETAINER, SPRING	6	6	6					
28	2	121400-11340	SEAL, VALVE STEM	3	3	3					
29	2	124460-11340	SEAL, VALVE STEM	3	3	3					
30	2	27310-080001	COTTER, 8	6	6	6					
32	1	120130-11860	GUIDE, VALVE	3	3	3					1
33	1	129150-11810	GUIDE, VALVE	3	3	3					1
34	1	119802-11870	PROTECTOR, NOZZLE	3	3	3					
35	1	119625-11880	SEAT, NOZZLE	3	3	3					
36	1	129004-11900	RETAINER, NOZZLE	3	3	3					
37	1	120270-54410	WASHER, INJECTOR	3	3	3					
38	1	22351-060012	PIN, SPRING 6.0X12	2	2	2					
39	1	26106-080252	BOLT, M8X 25 PLATED	2	2	2					
40	1	26106-080352	BOLT, M8X 35 PLATED	3	3	3					
41	1	26106-080502	BOLT, M8X 50 PLATED	6	6	6					
42	1	124160-01751	COVER, FILLER	1	1	1					
43	1	129009-11350	BONNET ASSY, HEAD	1	1	1					
44	2	129004-03010	PLATE	1	1	1					
45	2	129150-03070	BAFFLE, BREATHER	1	1	1					
46	2	119802-03110	PLATE	1	1	1					
47	2	119802-03121	COVER, DIAPHRAGM	1	1	1					
48	2	119802-03130	DIAPHRAGM	1	1	1					
49	2	119802-03141	SPRING, DIAPHRAGM	1	1	1					
51	2	129004-11310	GASKET, BONNET	1	1	1					
52	2	129009-11340	SPRING	1	1	1					
53	2	22857-500100	SCREW, 5X10	4	4	4					
54	2	22857-500100	SCREW, 5X10	4	4	4					
55	2	22857-500100	SCREW, 5X10	1	1	1					
56	1	124160-11360	KNOB	3	3	3					
57	1	24311-000120	O-RING, 1AP12.0	3	3	3					

Remarks
(1) REPAIR PART.

N:Old $\frac{100}{100}$ New, Q:Old $\frac{100}{100}$ New, R:Old $\frac{100}{100}$ New, S:Old $\frac{100}{100}$ New, W:Add, Z:Discontinued, F:Interchangeable by set, K:Q'ty Change
Copyright (C) YANMAR CO., LTD. All Rights Reserved.

Fig.5. SUCTION MANIFOLD

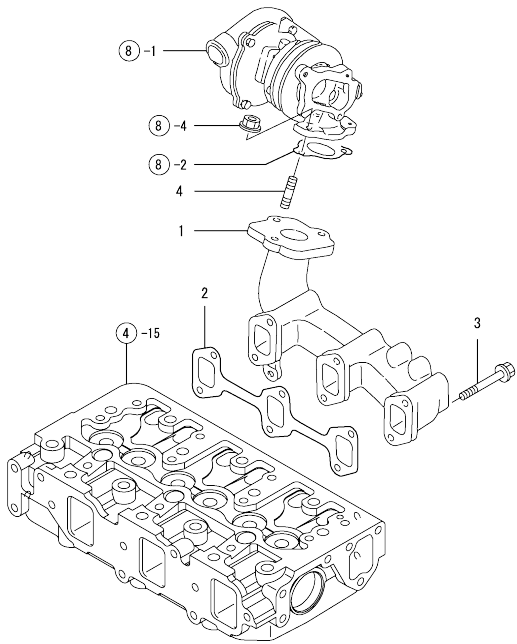


(A)=3TNV84T-BGGE
(B)=3TNV84T-BGGET
(C)=3TNV84T-BGGEC

(D)=
(E)=
(F)=

No.	Lev.	Parts No.	Description	Q'ty					
				(A)	(B)	(C)	(D)	(E)	(F)
1	1	129009-12060	PIPE, AIR INTAKE	1	1	1			
2	1	129006-12100	MANIFOLD, AIR INTAKE	1	1	1			
4	1	129001-12110	GASKET, MANIFOLD	1	1	1			
5	1	23000-041000	CLAMP, 41	1	1	1			
6	1	23000-060000	CLAMP, 60	1	1	1			
7	1	26106-080202	BOLT, M8X 20 PLATED	4	4	4			
8	1	26106-080802	BOLT, M8X 80 PLATED	1	1	1			
9	1	129100-77501	HEATER	1	1	1			
10	1	129100-77510	GASKET	1	1	1			
11	1	129150-77511	GASKET	1	1	1			
12	1	129165-77520	BEND, AIR HEATER	1	1	1			
13	1	26106-080402	BOLT, M8X 40 PLATED	4	4	4			
14	1	129509-03050	JOINT, BREATHER	1	1	1			
15	1	129009-03080	HOSE ASSY, BREATHER	1	1	1			
16	2	129009-03090	HOSE, BREATHER	1	1	1			
17	2	129410-03990	CLIP	2	2	2			

Fig.6. EXHAUST MANIFOLD



(A)=3TNV84T-BGGE
(B)=3TNV84T-BGGET
(C)=3TNV84T-BGGEC

(D)=
(E)=
(F)=

No.	Lev.	Parts No.	Description	Q'ty					
				(A)	(B)	(C)	(D)	(E)	(F)
1	1	129139-13100	MANIFOLD, EXHAUST	1	1	1			
2	1	129150-13110	GASKET	1	1	1			
3	1	123900-13630	BOLT, M8X80	6	6	6			
4	1	119131-18320	STUD, M8X22	3	3	3			
5	1	129403-18091	GASKET	1	1	1			
6	1	129085-12070	PIPE, AIR INTAKE	1	1	1			
7	1	129085-12080	PIPE, AIR INTAKE	1	1	1			

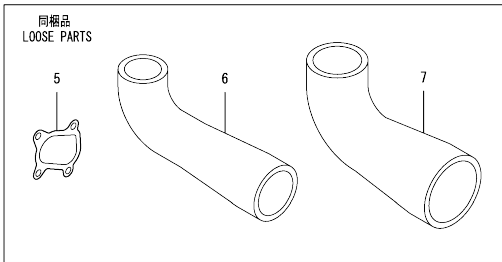
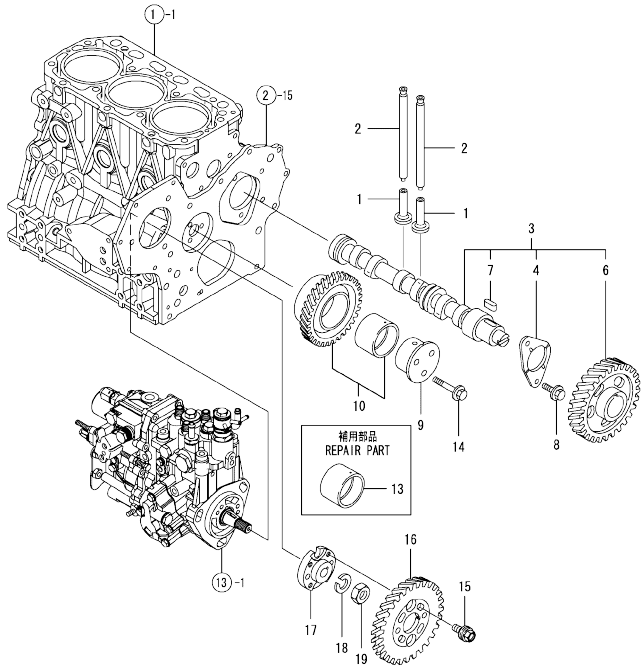


Fig.7. CAMSHAFT & DRIVING GEAR



(A)=3TNV84T-BGGE
(B)=3TNV84T-BGGET
(C)=3TNV84T-BGGEC

(D)=
(E)=
(F)=

No.	Lev.	Parts No.	Description	Q'ty						I	R
				(A)	(B)	(C)	(D)	(E)	(F)		
1	1	129150-14200	TAPPET	6	6	6					
2	1	129150-14400	ROD, PUSH L=178	6	6	6					
3	1	129004-14580	CAMSHAFT ASSY	1	1	1					
4	2	129150-02450	BEARING, THRUST	1	1	1					
6	2	129150-14101	GEAR, CAMSHAFT	1	1	1					
7	2	22512-070140	KEY, 7X 14	1	1	1					
8	1	26106-080142	BOLT, M8X 14 PLATED	2	2	2					
9	1	119802-25051	SHAFT, IDLE	1	1	1					
10	1	119802-25101	GEAR ASSY, IDLE	1	1	1					
13	1	119802-25071	BUSH, IDLE GEAR	1	1	1					1
14	1	26106-080402	BOLT, M8X 40 PLATED	3	3	3					
15	1	129150-25301	BOLT	4	4	4					
16	1	119802-25901	GEAR, PUMP	1	1	1					
17	1	158552-51151	FLANGE	1	1	1					
18	1	22217-140000	WASHER, SPRING 14	1	1	1					
19	1	26776-140002	NUT, LOCK M14	1	1	1					

Remarks
(1) REPAIR PART.

N:Old $\frac{100}{100}$ New, Q:Old $\frac{100}{100}$ New, R:Old $\frac{100}{100}$ New, S:Old $\frac{100}{100}$ New, W:Add, Z:Discontinued, F:Interchangeable by set, K:Q'ty Change
Copyright (C) YANMAR CO., LTD. All Rights Reserved.

0CW10-M31500 3TNV84T-BGGE

Fig.8. TURBINE

0CW10-M31500 Fig.8

(A)=3TNV84T-BGGE
(B)=3TNV84T-BGGET
(C)=3TNV84T-BGGEC

(D)=
(E)=
(F)=

No.	Lev.	Parts No.	Description	Q'ty					
				(A)	(B)	(C)	(D)	(E)	(F)
1	1	129188-18010	TURBINE, RHB31	1	1	1			
2	1	129535-18100	GASKET	1	1	1			
3	1	26306-080002	NUT, M8	3	3	3			

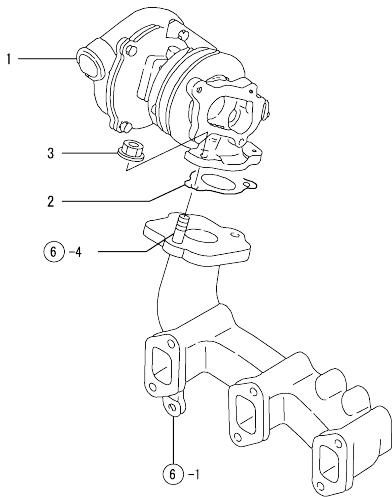
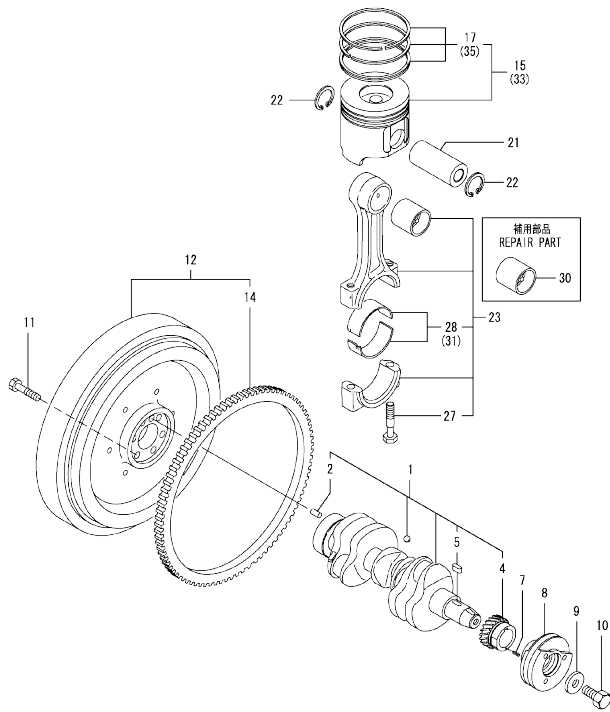


Fig.9. CRANKSHAFT & PISTON



(A)=3TNV84T-BGGE
(B)=3TNV84T-BGGET
(C)=3TNV84T-BGGEC

(D)=
(E)=
(F)=

No.	Lev.	Parts No.	Description	Q'ty						I	R
				(A)	(B)	(C)	(D)	(E)	(F)		
1	1	129004-21002	CRANKSHAFT ASSY	1	1	1					
2	2	129100-01580	PIN, M8X16	1	1	1					
4	2	119802-21202	GEAR, CRANKSHAFT	1	1	1					
5	2	22512-070140	KEY, 7X 14	1	1	1					
7	1	22351-030010	PIN, SPRING 3.0X10	1	1	1					
8	1	129005-21650	V-PULLEY, 120	1	1	1					
9	1	129795-21661	WASHER	1	1	1					
10	1	121850-21680	BOLT	1	1	1					
11	1	121111-21501	BOLT, FLYWHEEL	6	6	6					
12	1	171340-21590	FLYWHEEL ASSY	1	1	1					
14	2	124550-21600	GEAR, RING	1	1	1					
15	1	129007-22080	PISTON ASSY	3	3	3					
17	2	129007-22500	RING SET, PISTON	3	3	3					
21	1	129202-22300	PIN, PISTON D26 L70	3	3	3					
22	1	22252-000260	RING, 26	6	6	6					
23	1	729402-23100	ROD ASSY, CONNECTING	3	3	3					
27	2	121550-23200	BOLT, CONNECTING ROD	6	6	6					
28	2	129150-23601	BEARING, CRANK PIN	3	3	3					
30	1	129100-23910	BEARING, PISTON PIN	3	3	3					1
31	1	129150-23611	BEARING, 0.25 US	3	3	3					2
33	1	129007-22900	PISTON ASSY, 0.25 OS	3	3	3					3
35	2	129007-22950	RING SET, 0.25 OS	3	3	3					3

Remarks

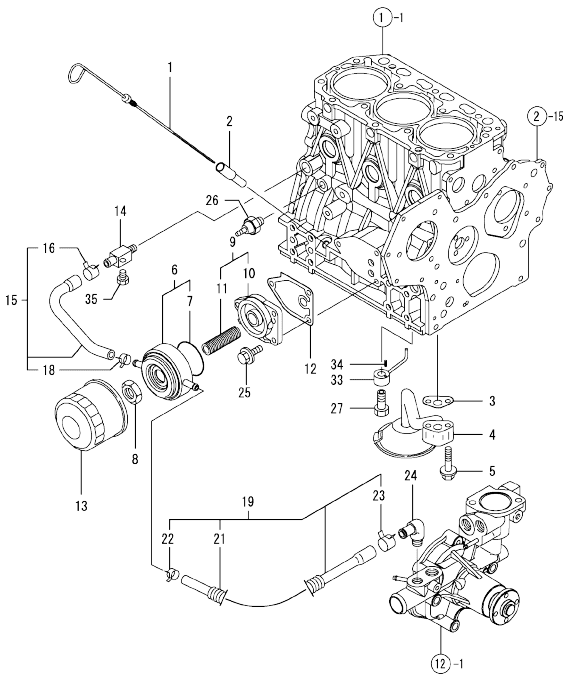
- (1) REPAIR PART.
- (2) UNDER-SIZED(U.S=0.25)PART.
- (3) OVER-SIZED(O.S=0.25)PART.

Fig.10. LUB.OIL SYSTEM

(A)=3TNV84T-BGGE
(B)=3TNV84T-BGGET
(C)=3TNV84T-BGGEC

(D)=
(E)=
(F)=

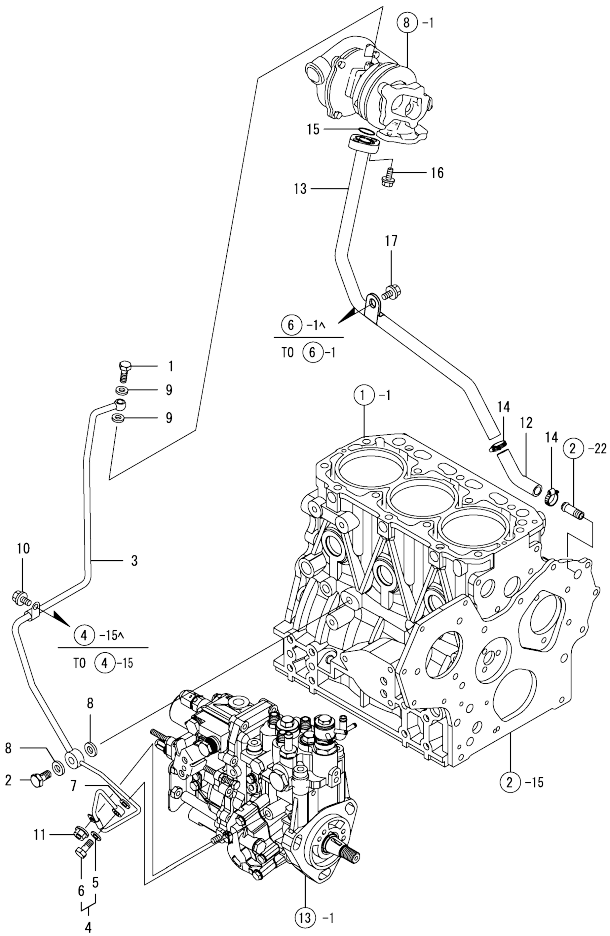
No.	Lev.	Parts No.	Description	Q'ty						I	R
				(A)	(B)	(C)	(D)	(E)	(F)		
1	1	129004-34802	DIPSTICK, OIL	1	1	1					
2	1	121520-34810	GUIDE, DIPSTICK	1	1	1					
3	1	129150-35042	GASKET	1	1	1					
4	1	129100-35301	PIPE ASSY, OIL INLET	1	1	1					
5	1	26106-080352	BOLT, M8X 35 PLATED	2	2	2					
6	1	129508-33010	COOLER ASSY, OIL	1	1	1					
7	2	129508-33050	O-RING	1	1	1					
8	1	129417-33110	NUT	1	1	1					
9	1	129006-35100	BRACKET ASSY, FILTER	1	1	1					
10	2	119802-35110	BRACKET, FILTER	1	1	1					
11	2	129417-35150	STUD, L=67	1	1	1					
12	1	129150-35111	GASKET	1	1	1					
13	1	129150-35170	FILTER,LO	1	1	1					1
14	1	129006-44480	JOINT	1	1	1					
15	1	129508-49030	PIPE ASSY, WATER	1	1	1					
16	2	171008-03990	CLIP, HOSE 18.5	1	1	1					
18	2	23080-015000	CLAMP, 15	1	1	1					
19	1	129006-49040	PIPE ASSY, WATER	1	1	1					
21	2	129642-49180	TUBE, CORRUGATED	1	1	1					
22	2	23080-015000	CLAMP, 15	1	1	1					
23	2	171008-03990	CLIP, HOSE 18.5	1	1	1					
24	1	129103-49301	ELBOW, PT1/4	1	1	1					
25	1	26106-080202	BOLT, M8X 20 PLATED	3	3	3					
26	1	114250-39450	SWITCH, 0.5KG	1	1	1					
27	1	129792-39410	VALVE ASSY, CHECK	3	3	3					
33	1	129553-39650	NOZZLE	3	3	3					
34	1	22351-030010	PIN, SPRING 3.0X10	3	3	3					
35	1	171056-49120	PLUG, DRAIN	1	1	1					



Remarks
(1) REPAIR PART.

N:Old $\frac{100}{100}$ New, Q:Old $\frac{100}{100}$ New, R:Old $\frac{100}{100}$ New, S:Old $\frac{100}{100}$ New, W:Add, Z:Discontinued, F:Interchangeable by set, K:Q'ty Change
Copyright (C) YANMAR CO., LTD. All Rights Reserved.

Fig.11. LUB.OIL LINE

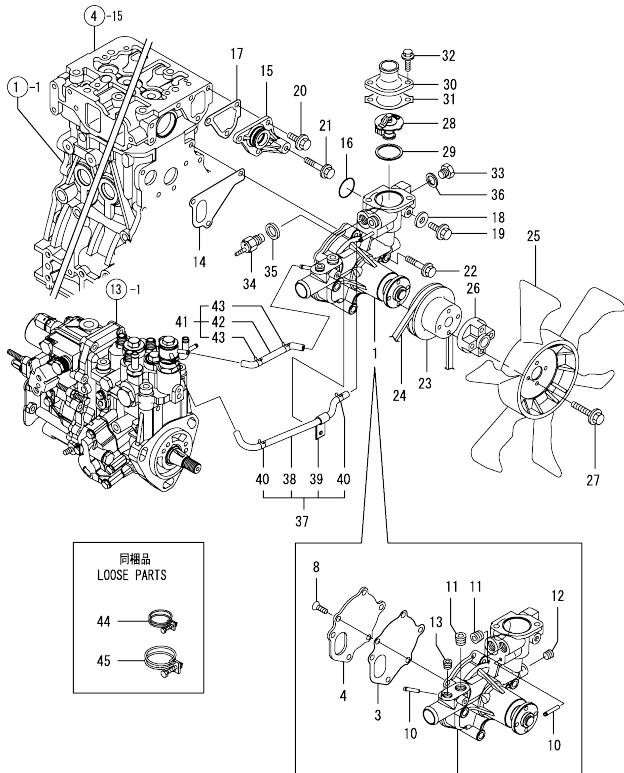


(A)=3TNV84T-BGGE
(B)=3TNV84T-BGGET
(C)=3TNV84T-BGGEC

(D)=
(E)=
(F)=

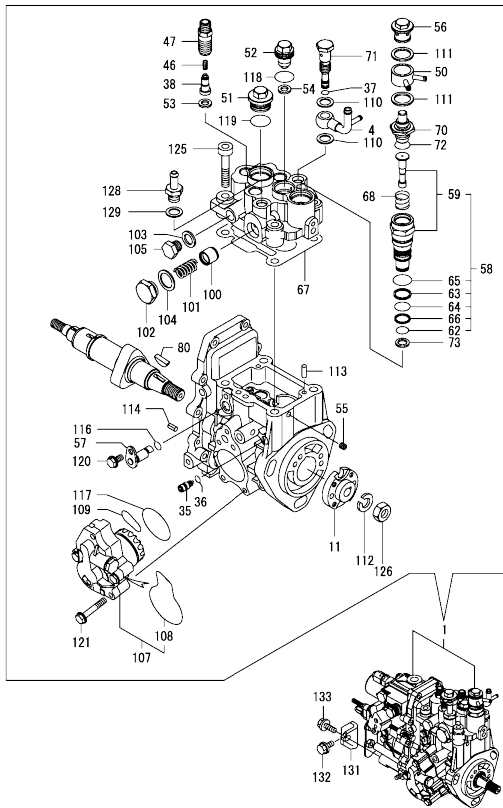
No.	Lev.	Parts No.	Description	Q'ty						I	R
				(A)	(B)	(C)	(D)	(E)	(F)		
1	1	105010-39140	BOLT, PIPE JOINT	1	1	1					
2	1	124160-39140	BOLT, PIPE JOINT M10	1	1	1					
3	1	129006-39450	PIPE ASSY, OIL	1	1	1					
4	1	129005-59830	BOLT ASSY, JOINT M8	1	1	1					
5	2	22190-080002	WASHER, SEAL 6	1	1	1					
6	2	23857-030000	BOLT, JOINT 3	1	1	1					
7	1	22190-080002	WASHER, SEAL 6	1	1	1					
8	1	22190-100002	WASHER, SEAL 10	2	2	2					
9	1	23414-080000	GASKET, 8X1.0	2	2	2					
10	1	26106-080122	BOLT, M8X 12 PLATED	1	1	1					
11	1	26366-060002	NUT, M6	1	1	1					
12	1	129044-39610	JOINT, RUBBER	1	1	1					
13	1	129139-39610	PIPE, OIL	1	1	1					
14	1	23000-022000	CLAMP, 22	2	2	2					
15	1	24316-000160	O-RING, 4DP16.0	1	1	1					
16	1	26106-060162	BOLT, M6X 16 PLATED	2	2	2					
17	1	26106-080122	BOLT, M8X 12 PLATED	1	1	1					

Fig.12. COOLING WATER SYSTEM



No.	Lev.	Parts No.	Description	Q'ty						I	R
				(A)	(B)	(C)	(D)	(E)	(F)		
1	1	129004-42001	PUMP ASSY, WATER	1	1	1					
3	2	129100-42051	GASKET, WATER PUMP	1	1	1					
4	2	129100-42121	PLATE	1	1	1					
8	2	121850-42410	SCREW	3	3	3					
10	2	119802-49113	JOINT, PIPE	2	2	2					
11	2	129916-49740	PLUG, R03	2	2	2					
12	2	23876-010000	PLUG, R01	1	1	1					
13	2	23876-020000	PLUG, R02	1	1	1					
14	1	129486-42021	GASKET, WATER PUMP	1	1	1					
15	1	129004-42040	JOINT	1	1	1					
16	1	129486-42140	O-RING, G30	1	1	1					
17	1	124395-49840	GASKET	1	1	1					
18	1	23414-080000	GASKET, 8X1.0	1	1	1					
19	1	26106-080122	BOLT, M8X 12 PLATED	1	1	1					
20	1	26106-080162	BOLT, M8X 16 PLATED	3	3	3					
21	1	26106-080452	BOLT, M8X 45 PLATED	1	1	1					
22	1	26106-080602	BOLT, M8X 60 PLATED	3	3	3					
23	1	129155-42350	V-PULLEY	1	1	1					
24	1	119831-42290	V-BELT, A37.5	1	1	1					
25	1	129030-44740	FAN, COOLING D360XUG	1	1	1					
26	1	121267-44760	SPACER	1	1	1					
27	1	26106-060302	BOLT, M6X 30 PLATED	4	4	4					
28	1	129155-49801	THERMOSTAT, 71	1	1	1					
29	1	129150-49811	GASKET, THERMOSTAT	1	1	1					
30	1	129350-49530	COVER, THERMOSTAT	1	1	1					
31	1	129795-49551	GASKET	1	1	1					
32	1	26106-080222	BOLT, M8X 22 PLATED	2	2	2					
33	1	121450-42450	PLUG, M16	1	1	1					
34	1	121250-44901	SWITCH, 110	1	1	1					
35	1	124465-44950	GASKET, 16	1	1	1					
36	1	124465-44950	GASKET, 16	1	1	1					
37	1	129004-49610	PIPE ASSY, WATER	1	1	1					
38	2	129004-49711	PIPE ASSY, WATER	1	1	1					
39	2	119802-49730	RETAINER, PIPE	1	1	1					
40	2	124722-59050	CLIP, HOSE 9	2	2	2					
41	1	129004-49620	PIPE ASSY, WATER	1	1	1					
42	2	129004-49721	PIPE ASSY, WATER	1	1	1					
43	2	124722-59050	CLIP, HOSE 9	2	2	2					
44	1	23000-060000	CLAMP, 60	3	3	3					
45	1	23000-080000	CLAMP, 80	1	1	1					

Fig.13. FUEL INJECTION PUMP



(A)=3TNV84T-BGGE
(B)=3TNV84T-BGGET
(C)=3TNV84T-BGGEC

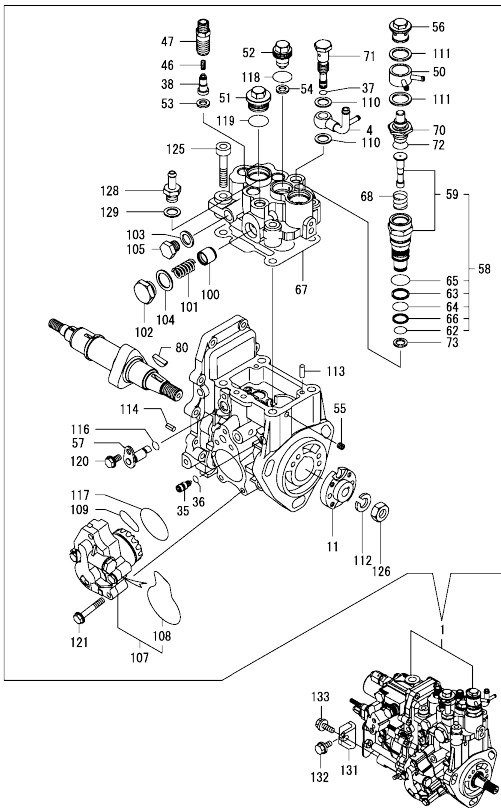
(D)=
(E)=
(F)=

No.	Lev.	Parts No.	Description	Q'ty						I	R	
				(A)	(B)	(C)	(D)	(E)	(F)			
1	1	729083-51300	PUMP ASSY, INJECTION	1	1	1					1	
1-1	1	729083-51320	INJECTION PUMP ASSY	1	1	1					S	1
		(A=EZZZZZ) (B=EZZZZZ) (C=EZZZZZ)										
4	2	158552-51670	JOINT, OVER FLOW	1	1	1						
11	3	158552-51151	FLANGE	1	1	1						
35	2	158600-51270	STOPPER, TAPPET	1	1	1						
36	2	158563-51281	O-RING, 4D S6	1	1	1						
37	2	158563-51281	O-RING, 4D S6	1	1	1						
37A	2	129009-51390	VALVE ASSY, DELIVERY	3	3	3						W
		(A=*2008.04.) (B=*2008.04.) (C=*2008.04.)										
46	3	158563-51330	SPRING, DELIVERY	3	3	3						
50	2	158553-51551	JOINT	1	1	1						
51	2	158601-51550	PLUG	1	1	1						
52	2	119802-51560	PLUG, BARREL	1	1	1						
53	2	158552-51570	GASKET	3	3	3						
54	2	158552-51570	GASKET	1	1	1						
55	2	158557-51570	PLUG	1	1	1						
56	2	158601-51570	PLUG	1	1	1						
57	2	158552-51580	LIFTER	1	1	1						
58	2	119802-51590	TIMER SET	1	1	1						
59	3	119802-51600	TIMER ASSY	1	1	1						
62	3	158553-51670	O-RING, 1011	1	1	1						
63	3	119802-51680	RING, BACK UP	1	1	1						
64	3	119802-51690	O-RING	1	1	1						
65	3	24356-010200	O-RING, 4D1020	1	1	1						
66	3	24372-000150	RING, BACK UP T2P15	1	1	1						
67	2	158552-51600	GASKET	1	1	1						
68	2	158553-51630	SPRING, TIMER	1	1	1						
70	2	158553-51640	ELEMENT	1	1	1						
71	2	158601-51650	JOINT, OVER FLOW	1	1	1						
72	2	158553-51660	O-RING, P14	1	1	1						
73	2	158553-51680	GASKET	1	1	1						
80	2	119802-51090	KEY, 4X16	1	1	1						
100	2	158601-51770	PISTON	1	1	1						
101	2	158552-51781	SPRING	1	1	1						
102	2	158601-51790	PLUG	1	1	1						
103	2	22190-120002	WASHER, SEAL 12	1	1	1						
104	2	22190-180002	WASHER, SEAL 18	1	1	1						
105	2	23887-120002	PLUG, 12	1	1	1						
107	2	158552-52100	PUMP ASSY, FUEL FEED	1	1	1						
108	3	158552-52500	O-RING	1	1	1						
109	2	158552-52310	O-RING	1	1	1						
110	2	22190-120002	WASHER, SEAL 12	2	2	2						
111	2	22190-180002	WASHER, SEAL 18	2	2	2						
112	2	22217-140000	WASHER, SPRING 14	1	1	1						
113	2	22312-050140	PIN, PARALLEL M5X14	2	2	2						
114	2	22351-050010	PIN, SPRING 5.0X10	2	2	2						
116	2	24311-000070	O-RING, 1AP7.0	1	1	1						
117	2	158552-52400	O-RING, 4E S42	1	1	1						
118	2	24356-010180	O-RING, 4D1018	1	1	1						
119	2	24356-010200	O-RING, 4D1020	1	1	1						

Remarks
(1) GOVERNOR ASSY(FIG.14) IS INCORPORATED IN THIS FOP.CMP (REF.NO.1).

N:Old $\frac{New}{Old}$ New, Q:Old $\frac{New}{Old}$ New, R:Old $\frac{New}{Old}$ New, S:Old $\frac{New}{Old}$ New, W:Add, Z:Discontinued, F:Interchangeable by set, K:Q'ty Change
 ++ CONTINUE ++
 Copyright (C) YANMAR CO., LTD. All Rights Reserved.

Fig.13. FUEL INJECTION PUMP



(A)=3TNV84T-BGGE
(B)=3TNV84T-BGGET
(C)=3TNV84T-BGGEC

(D)=
(E)=
(F)=

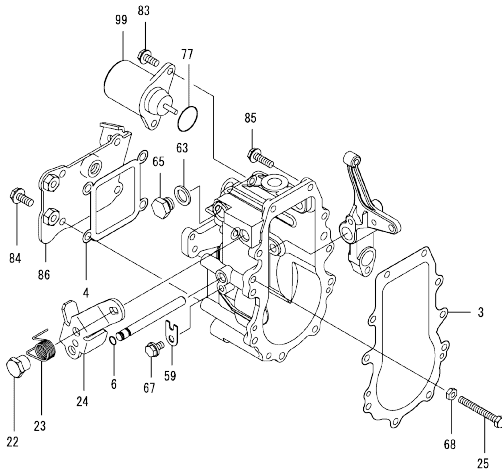
No.	Lev.	Parts No.	Description	Q'ty					
				(A)	(B)	(C)	(D)	(E)	(F)
120	2	26106-060102	BOLT, M6X 10 PLATED	1	1	1			
121	2	158553-51770	BOLT	4	4	4			
125	2	26450-080452	BOLT, M8X 45	4	4	4			
126	2	26776-140002	NUT, LOCK M14	1	1	1			
128	2	119934-59910	JOINT, PIPE	1	1	1			
129	2	22190-120002	WASHER, SEAL 12	1	1	1			
131	1	119802-51250	RETAINER, PUMP	1	1	1			
132	1	26106-080162	BOLT, M8X 16 PLATED	1	1	1			
133	1	26106-080202	BOLT, M8X 20 PLATED	1	1	1			

Remarks
(1) GOVERNOR ASSY(FIG.14) IS
INCORPORATED IN THIS FOP.CMP
(REF.NO.1).

Fig.14. GOVERNOR

(A)=3TNV84T-BGGE
 (B)=3TNV84T-BGGET
 (C)=3TNV84T-BGGEC

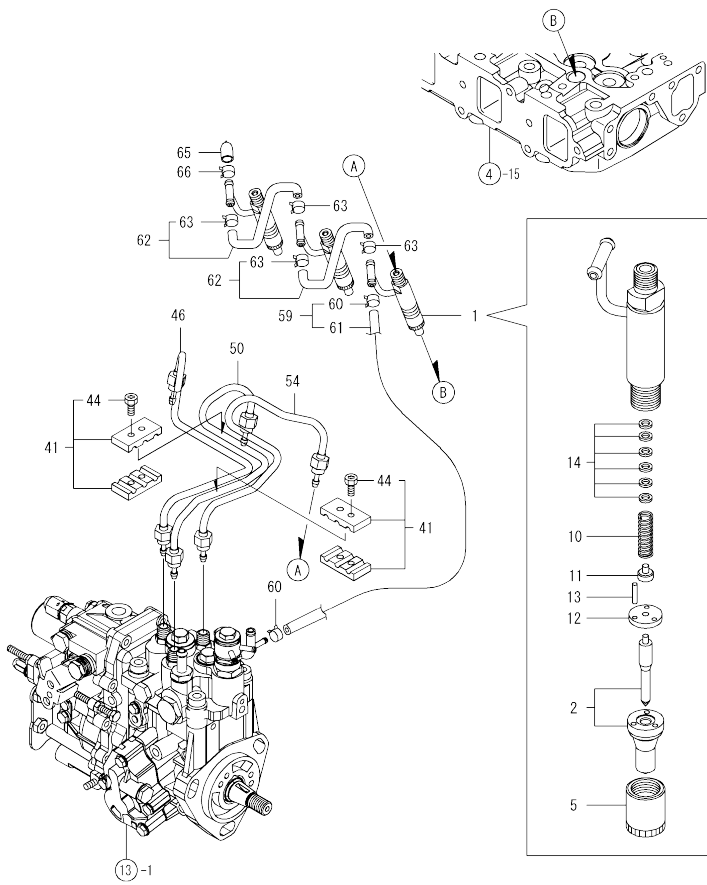
(D)=
 (E)=
 (F)=



No.	Lev.	Parts No.	Description	Q'ty						I	R
				(A)	(B)	(C)	(D)	(E)	(F)		
3	2	158553-61050	GASKET	1	1	1					
4	2	158553-61070	GASKET	1	1	1					
6	2	129155-51280	O-RING, S6	1	1	1					
22	2	129255-61410	NUT, LOCK	1	1	1					
23	2	119807-61420	SPRING, RETURN	1	1	1					
24	2	129246-61441	LEVER, REGULATOR	1	1	1					
25	2	129155-61460	BOLT, IDLE	1	1	1					
59	2	119660-61901	RETAINER, SHAFT	1	1	1					
63	2	22190-120000	WASHER, SEAL 12	1	1	1					
65	2	23887-120002	PLUG, 12	1	1	1					
67	2	26106-060102	BOLT, M6X 10 PLATED	1	1	1					
68	2	26756-060002	NUT, LOCK M6	1	1	1					
77	2	158552-61900	O-RING	1	1	1					
83	2	26106-060142	BOLT, M6X 14 PLATED	2	2	2					
84	2	26106-060142	BOLT, M6X 14 PLATED	4	4	4					
85	2	26106-060202	BOLT, M6X 20 PLATED	10	10	10					
86	2	129246-61061	COVER, GOVERNOR CASE	1	1	1					
99	2	119653-77950	SOLENOID, STOP	1	1	1					

Remarks
 * THIS FIGURE(GOVERNOR ASSY)IS
 INCORPORATED IN THE FUEL INJECTION
 PUMP ASSY(FIG.13).

Fig.15. FUEL INJECTION VALVE

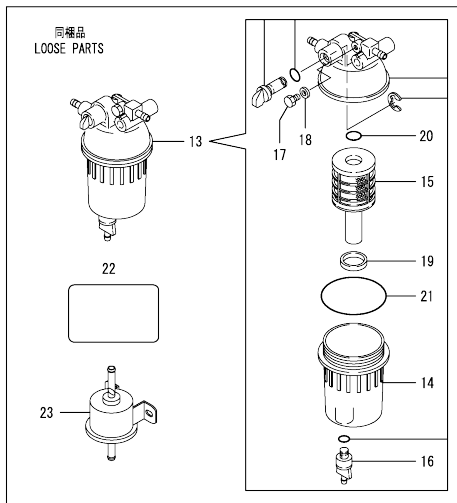
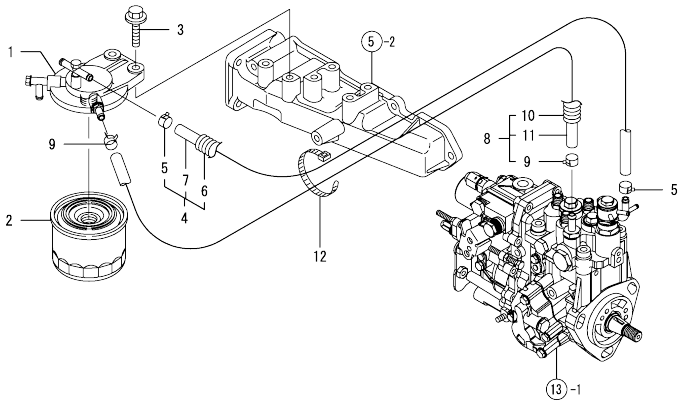


(A)=3TNV84T-BGGE
(B)=3TNV84T-BGGET
(C)=3TNV84T-BGGEC

(D)=
(E)=
(F)=

No.	Lev.	Parts No.	Description	Q'ty						I	R
				(A)	(B)	(C)	(D)	(E)	(F)		
1	1	729046-53100	VALVE ASSY,INJECTION	3	3	3					
1-1	1	729642-53100	VALVE ASSY,INJECTION	3	3	3					S
		(A=EZZZZZ) (B=EZZZZZ) (C=EZZZZZ)									
2	2	129046-53000	VALVE ASSY,INJECTION	3	3	3					
2-1	2	129640-53001	VALVE ASSY,INJECTION	3	3	3					S
		(A=EZZZZZ) (B=EZZZZZ) (C=EZZZZZ)									
5	2	114250-53080	NUT, NOZZLE D16.95	3	3	3					
10	2	114250-53120	SPRING, NOZZLE	3	3	3					
11	2	114250-53130	SEAT, SPRING	3	3	3					
12	2	114250-53140	PLATE	3	3	3					
13	2	114250-53210	PIN	6	6	6					
14	2	114250-53400	SHIM SET	3	3	3					
41	1	129150-59120	RETAINER, PIPE	2	2	2					
44	2	129150-59131	BOLT, M4X14	4	4	4					
46	1	129004-59811	PIPE ASSY, INJECTION	1	1	1					
50	1	129004-59821	PIPE ASSY, INJECTION	1	1	1					
54	1	129004-59831	PIPE ASSY, INJECTION	1	1	1					
59	1	119802-59550	PIPE ASSY, RETURN	1	1	1					
60	2	124722-59050	CLIP, HOSE 9	2	2	2					
61	2	119802-59560	PIPE, FUEL RETURN	1	1	1					
62	1	129486-59551	PIPE ASSY, RETURN	2	2	2					
63	2	124722-59050	CLIP, HOSE 9	4	4	4					
65	1	119593-59581	CAP	1	1	1					
66	1	124060-77680	CLIP, HOSE 10	1	1	1					

Fig.16. FUEL LINE

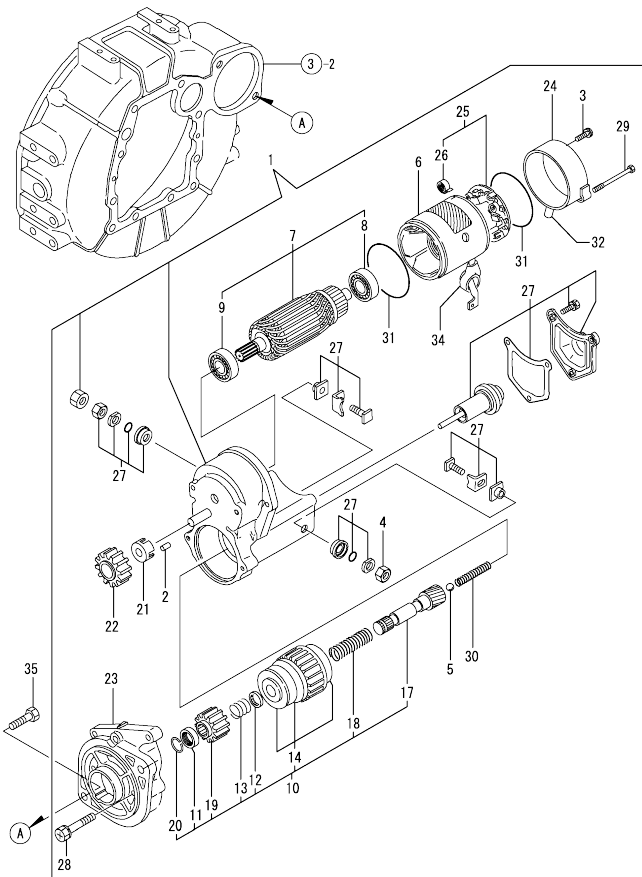


(A)=3TNV84T-BGGE
(B)=3TNV84T-BGGET
(C)=3TNV84T-BGGEC

(D)=
(E)=
(F)=

No.	Lev.	Parts No.	Description	Q'ty					
				(A)	(B)	(C)	(D)	(E)	(F)
1	1	129004-55612	BRACKET, FILTER	1	1	1			
2	1	119802-55810	FILTER,FO	1	1	1			
3	1	26106-080302	BOLT, M8X 30 PLATED	2	2	2			
4	1	129044-59010	PIPE, D13/7.5X220	1	1	1			
5	2	124766-59050	CLIP, HOSE 12	2	2	2			
6	2	129044-59100	TUBE, CORRUGATED	1	1	1			
7	2	129044-59510	PIPE, FUEL 220	1	1	1			
8	1	129950-59311	PIPE, FUEL	1	1	1			
9	2	124766-59050	CLIP, HOSE 12	2	2	2			
10	2	129961-59110	TUBE, CORRUGATED	1	1	1			
11	2	105025-59580	PIPE, FUEL	1	1	1			
12	1	121750-59890	BAND, 140	1	1	1			
13	1	129242-55700	SEPARATOR ASSY	1	1	1			
14	2	129242-55720	CUP	1	1	1			
15	2	129242-55730	ELEMENT	1	1	1			
16	2	129242-55740	PLUG, DRAIN	1	1	1			
17	2	129242-55750	VALVE, AIR VENT	1	1	1			
18	2	129242-55760	GASKET	1	1	1			
19	2	129242-55770	FLOAT	1	1	1			
20	2	24311-000160	O-RING, 1AP16.0	1	1	1			
21	2	24321-000750	O-RING, 1AG75.0	1	1	1			
22	1	114110-07760	LABEL, FUEL CAUTION	1	1	1			
23	1	119225-52102	PUMP ASSY, FUEL FEED	1	1	1			

Fig.17. STARTING MOTOR

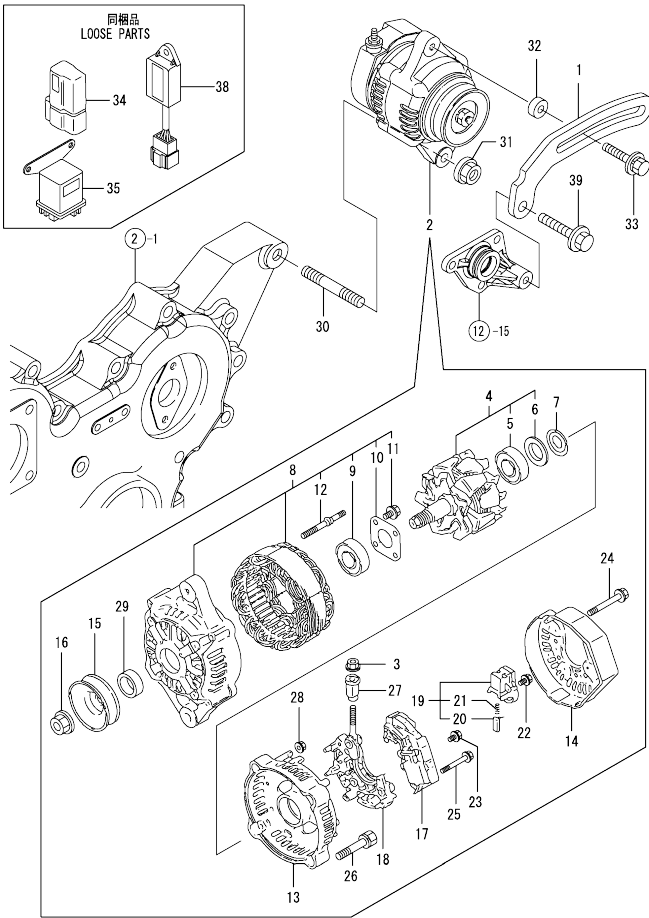


(A)=3TNV84T-BGGE
(B)=3TNV84T-BGGET
(C)=3TNV84T-BGGEC

(D)=
(E)=
(F)=

No.	Lev.	Parts No.	Description	Qty						I	R
				(A)	(B)	(C)	(D)	(E)	(F)		
1	1	129129-77010	STARTER ASSY	1	1	1					
2	2	X0283060061	ROLLER	5	5	5					
3	2	129129-77460	SCREW	2	2	2					
4	2	X9490561370	NUT	1	1	1					
5	2	X9491200240	BALL	1	1	1					
6	2	129129-77210	YOKE ASSY	1	1	1					
7	2	129129-77220	ARMATURE ASSY	1	1	1					
8	3	129129-77230	BEARING	1	1	1					
9	3	129129-77240	BEARING	1	1	1					
10	2	129129-77250	STARTER	1	1	1					
11	3	X0280210230	NUT	1	1	1					
12	3	X0283270140	RETAINER	1	1	1					
13	3	X9491703371	SPRING, COIL	1	1	1					
14	3	129129-77390	CLUTCH ASSY	1	1	1					
17	3	129129-77400	SHAFT	1	1	1					
18	3	129129-77410	SPRING, COIL	1	1	1					
19	3	129129-77420	PINION, STARTER	1	1	1					
20	3	129129-77430	RING	1	1	1					
21	2	129129-77260	RETAINER	1	1	1					
22	2	129129-77270	PINION	1	1	1					
23	2	129129-77280	HOUSING	1	1	1					
24	2	129129-77290	FRAME	1	1	1					
25	2	129129-77300	HOLDER ASSY	1	1	1					
26	3	X9491730461	SPRING	4	4	4					
27	2	129129-77310	SWITCH ASSY	1	1	1					
28	2	129129-77320	BOLT	2	2	2					
29	2	129129-77330	BOLT	2	2	2					
30	2	129129-77340	SPRING	1	1	1					
31	2	129129-77350	O-RING	2	2	2					
32	2	129129-77362	COVER	1	1	1					
34	2	129129-77380	CAP	1	1	1					
35	1	26116-120252	BOLT, M12X 25 PLATED	2	2	2					

Fig.18. GENERATOR



(A)=3TNV84T-BGGE
(B)=3TNV84T-BGGET
(C)=3TNV84T-BGGEC

(D)=
(E)=
(F)=

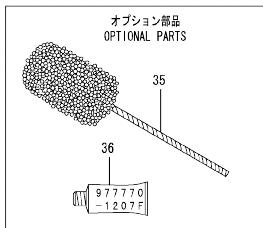
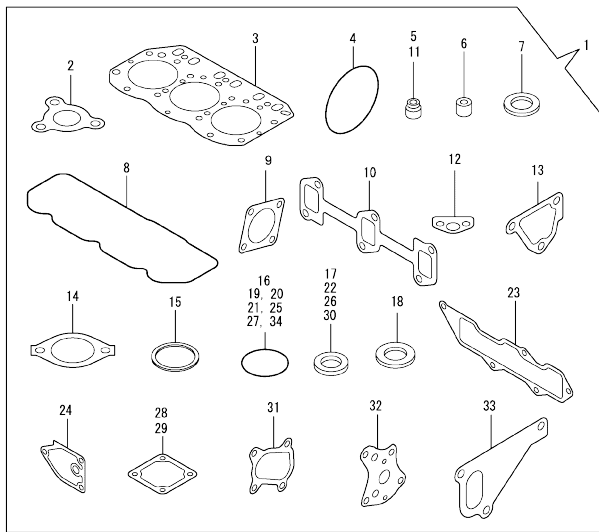
No.	Lev.	Parts No.	Description	Qty						I	R
				(A)	(B)	(C)	(D)	(E)	(F)		
1	1	119940-77330	ADJUSTER	1	1	1					
2	1	129423-77200	GENERATOR, 12V-40A	1	1	1					
3	2	X9490561001	NUT	1	1	1					
4	2	119620-77380	ROTOR ASSY	1	1	1					
5	3	119620-79240	BEARING, BALL	1	1	1					
6	3	119620-79250	COVER	1	1	1					
7	2	119620-79360	WASHER, THRUST	1	1	1					
8	2	119620-77421	FRAME ASSY, DRIVE	1	1	1					
9	3	119620-79200	BEARING, BALL	1	1	1					
10	3	119620-79210	PLATE, RETAINER	1	1	1					
11	3	119620-79220	SCREW	4	4	4					
12	3	119620-79230	STUD	2	2	2					
13	2	119620-77440	FRAME ASSY	1	1	1					
14	2	129240-79300	COVER	1	1	1					
15	2	119620-77461	PULLEY	1	1	1					
16	2	119620-77471	NUT	1	1	1					
17	2	129423-77710	REGULATOR ASSY	1	1	1					
18	2	119620-79260	HOLDER	1	1	1					
19	2	119620-79270	HOLDER, BRUSH	1	1	1					
20	3	119620-77480	BRUSH ASSY	2	2	2					
21	3	119620-79280	SPRING	2	2	2					
22	2	119620-79290	SCREW	1	1	1					
23	2	119620-79300	SCREW	1	1	1					
24	2	119620-79310	BOLT	3	3	3					
25	2	119620-79320	SCREW	2	2	2					
26	2	119620-79330	BOLT	2	2	2					
27	2	119620-79340	BUSH, INSULATION	1	1	1					
28	2	119620-79350	NUT	2	2	2					
29	2	119620-77490	COLLAR	1	1	1					
30	1	129795-01900	STUD	1	1	1					
31	1	26306-100002	NUT, M10	1	1	1					
32	1	119940-77270	SPACER, GENERATOR	1	1	1					
33	1	129972-77341	BOLT, ADJUSTER L=50	1	1	1					
34	1	119643-66900	DIODE	1	1	1					
35	1	119650-77910	RELAY ASSY, GLOW	1	1	1					
36	1	129211-77920	TIMER	1	1	1					
39	1	26106-080452	BOLT, M8X 45 PLATED	1	1	1					

N:Old $\frac{100}{100}$ New, Q:Old $\frac{100}{100}$ New, R:Old $\frac{100}{100}$ New, S:Old $\frac{100}{100}$ New, W:Add, Z:Discontinued, F:Interchangeable by set, K:Qty Change
Copyright (C) YANMAR CO., LTD. All Rights Reserved.

Fig.19. GASKET SET

(A)=3TNV84T-BGGE
(B)=3TNV84T-BGGET
(C)=3TNV84T-BGGEC

(D)=
(E)=
(F)=



No.	Lev.	Parts No.	Description	Qty						I	R
				(A)	(B)	(C)	(D)	(E)	(F)		
1	1	729246-92910	GASKET SET	1	1	1					1
2	2	129535-18100	GASKET	1	1	1					
3	2	129002-01331	GASKET, HEAD	1	1	1					
4	2	121850-51960	O-RING	1	1	1					
5	2	124460-11340	SEAL, VALVE STEM	3	3	3					
6	2	119802-11870	PROTECTOR, NOZZLE	3	3	3					
7	2	119625-11880	SEAT, NOZZLE	3	3	3					
8	2	129004-11310	GASKET, BONNET	1	1	1					
9	2	124240-01883	GASKET	1	1	1					
10	2	129150-13110	GASKET	1	1	1					
11	2	121400-11340	SEAL, VALVE STEM	3	3	3					
12	2	129150-35042	GASKET	1	1	1					
13	2	124395-49840	GASKET	1	1	1					
14	2	129795-49551	GASKET	1	1	1					
15	2	129150-49811	GASKET, THERMOSTAT	1	1	1					
16	2	24316-000160	O-RING, 4DP16.0	1	1	1					
17	2	22190-080002	WASHER, SEAL 6	6	6	6					
18	2	23414-080000	GASKET, 8X1.0	3	3	3					
19	2	24311-000120	O-RING, 1AP12.0	3	3	3					
20	2	24311-000320	O-RING, 1AP32.0	2	2	2					
21	2	24341-000240	O-RING, 1AS24.0	1	1	1					
22	2	22190-220002	WASHER, SEAL 22	1	1	1					
23	2	129001-12110	GASKET, MANIFOLD	1	1	1					
24	2	129150-35111	GASKET	1	1	1					
25	2	119609-32040	O-RING, P16	4	4	4					
26	2	22190-100002	WASHER, SEAL 10	2	2	2					
27	2	129486-42140	O-RING, G30	1	1	1					
28	2	129150-77511	GASKET	1	1	1					
29	2	129100-77510	GASKET	1	1	1					
30	2	124465-44950	GASKET, 16	2	2	2					
31	2	129403-18091	GASKET	1	1	1					
32	2	129150-32020	GASKET, PUMP	1	1	1					
33	2	129486-42021	GASKET, WATER PUMP	1	1	1					
34	2	24321-000850	O-RING, 1AG85.0	1	1	1					
35	1	129400-92420	HONE	1	1	1					1
36	1	977770-1207F	GASKET, LIQUID	1	1	1					1

Remarks
(1) OPTIONAL PARTS.

N:Old $\frac{100}{100}$ New, Q:Old $\frac{100}{100}$ New, R:Old $\frac{100}{100}$ New, S:Old $\frac{100}{100}$ New, W:Add, Z:Discontinued, F:Interchangeable by set, K:Qty Change
Copyright (C) YANMAR CO., LTD. All Rights Reserved.

Parts No. Index

Parts No.	Fig. No.	Ref. No.
105010-39140	11	1
105025-59580	16	11
114110-07760	16	22
114250-39450	10	26
114250-53080	15	5
114250-53120	15	10
114250-53130	15	11
114250-53140	15	12
114250-53210	15	13
114250-53400	15	14
119131-18320	6	4
119225-52102	16	23
119593-59581	15	65
119609-32040	2	21
	19	25
119620-01750	3	3
119620-77380	18	4
119620-77421	18	8
119620-77440	18	13
119620-77461	18	15
119620-77471	18	16
119620-77480	18	20
119620-77490	18	29
119620-79200	18	9
119620-79210	18	10
119620-79220	18	11
119620-79230	18	12
119620-79240	18	5
119620-79250	18	6
119620-79260	18	18
119620-79270	18	19
119620-79280	18	21
119620-79290	18	22
119620-79300	18	23
119620-79310	18	24
119620-79320	18	25
119620-79330	18	26
119620-79340	18	27
119620-79350	18	28
119620-79360	18	7
119625-11880	4	35
	19	7
119640-01640	3	8
119643-66900	18	34
119650-77910	18	35
119653-77950	14	99
119660-61901	14	59
119802-01561	2	17
119802-03110	4	46
119802-03121	4	47

Parts No.	Fig. No.	Ref. No.
119802-03130	4	48
119802-03141	4	49
119802-11260	4	5
119802-11270	4	6
119802-11280	4	7
119802-11870	4	34
	19	6
119802-21202	9	4
119802-25051	7	9
119802-25071	7	13
119802-25101	7	10
119802-25901	7	16
119802-32070	2	11
119802-32100	2	10
119802-32111	2	22
119802-32120	2	23
119802-32130	2	24
119802-35110	10	10
119802-49113	12	10
119802-49730	12	39
119802-51090	13	80
119802-51250	13	131
119802-51560	13	52
119802-51590	13	58
119802-51600	13	59
119802-51680	13	63
119802-51690	13	64
119802-55810	16	2
119802-59550	15	59
119802-59560	15	61
119807-61420	14	23
119831-42290	12	24
119934-01800	2	6
119934-59910	13	128
119940-77270	18	32
119940-77330	18	1
120130-11860	4	32
120270-54410	4	37
121023-01551	2	7
121111-21501	9	11
121250-44901	12	34
121267-44760	12	26
121400-11340	4	28
	19	11
121450-42450	12	33
121520-34810	10	2
121550-23200	9	27
121750-59890	16	12
121850-21680	9	10
121850-42410	12	8

Parts No.	Fig. No.	Ref. No.
121850-51960	2	25
	19	4
123900-13630	6	3
124060-01050	1	5
124060-77680	15	66
124160-01751	2	18
	4	42
124160-01910	1	7
	8	8
124160-11360	4	56
124160-39140	11	2
124240-01871	2	19
124240-01883	19	9
124395-49840	12	17
	19	13
124460-11340	4	29
	19	5
124465-44950	12	35
	19	30
	9	14
124550-21600	12	40
124722-59050		43
	15	60
	63	63
124766-59050	16	5
	9	9
129001-01250	1	6
129001-02931	1	25
129001-12110	5	4
	19	23
129001-32330	2	14
129001-91841	2	26
129002-01331	1	32
	19	3
129004-03010	4	44
129004-11130	4	25
129004-11241	4	3
129004-11251	4	4
129004-11310	4	51
	19	8
129004-11650	4	9
129004-11900	4	36
129004-14580	7	3
129004-21002	9	1
129004-34802	10	1
129004-42001	12	1
129004-42040	12	15
129004-49610	12	37
129004-49620	12	41

Parts No.	Fig. No.	Ref. No.
129004-49711	12	38
129004-49721	12	42
129004-55612	16	1
129004-59811	15	46
129004-59821	15	50
129004-59831	15	54
129005-21650	9	8
129005-59830	11	4
129006-01520	2	15
129006-12100	5	2
129006-35100	10	9
129006-39450	11	3
129006-44480	10	14
129006-49040	10	19
129007-22080	9	15
129007-22500	9	17
129007-22900	9	33
129007-22950	9	35
129009-03080	5	15
129009-03090	5	16
129009-11340	4	52
129009-11350	4	43
129009-11710	4	15
129009-12060	5	1
129009-51390	13	37 A
129030-44740	12	25
129044-39610	11	12
129044-59010	16	4
129044-59100	16	6
129044-59510	16	7
129046-53000	15	2
129085-12070	6	6
129085-12080	6	7
129100-01580	3	1
	14	14
	9	2
129100-01640	3	15
129100-01730	3	6
129100-01760	3	7
129100-11130	4	26
129100-23910	9	30
129100-35301	10	4
129100-42051	12	3
129100-42121	12	4
129100-77501	5	9
129100-77510	5	10
	19	29
129103-49301	10	24
129122-44480	2	16
129129-77010	17	1

Parts No. Index

Parts No.	Fig. No.	Ref. No.	Parts No.	Fig. No.	Ref. No.	Parts No.	Fig. No.	Ref. No.	Parts No.	Fig. No.	Ref. No.
129129-77210	17	6	129150-35170	10	13	129642-49180	10	21	171008-03990	10	23
129129-77220	17	7	129150-49811	12	29	129792-39410	10	27	171051-01921	1	9
129129-77230	17	8		19	15	129795-01780	3	17	171056-49120	10	35
129129-77240	17	9	129150-59120	15	41	129795-01900	18	30	171340-21590	9	12
129129-77250	17	10	129150-59131	15	44	129795-01950	2	20	171420-01600	3	2
129129-77260	17	21	129150-77511	5	11	129795-02412	1	13	22190-080002	11	5
129129-77270	17	22		19	28	129795-11120	4	24			7
129129-77280	17	23	129155-42350	12	23	129795-11180	4	27		19	17
129129-77290	17	24	129155-49801	12	28	129795-21661	9	9	22190-100002	11	8
129129-77300	17	25	129155-51280	14	6	129795-49551	12	31		19	26
129129-77310	17	27	129155-61460	14	25		19	14	22190-120000	14	63
129129-77320	17	28	129165-77520	5	12	129900-07900	4	1	22190-120002	13	103
129129-77330	17	29	129188-18010	8	1	129900-32130	2	12			110
129129-77340	17	30	129202-22300	9	21	129916-49740	12	11			129
129129-77350	17	31	129211-77920	18	38	129950-59311	16	8	22190-180002	13	104
129129-77362	17	32	129240-79300	18	14	129961-59110	16	10			111
129129-77380	17	34	129242-55700	16	13	129972-77341	18	33	22190-220002	3	10
129129-77390	17	14	129242-55720	16	14	158552-51151	7	17		19	22
129129-77400	17	17	129242-55730	16	15		13	11	22217-140000	7	18
129129-77410	17	18	129242-55740	16	16	158552-51570	13	53		13	112
129129-77420	17	19	129242-55750	16	17			54	22252-000260	9	22
129129-77430	17	20	129242-55760	16	18	158552-51580	13	57	22312-050140	13	113
129129-77460	17	3	129242-55770	16	19	158552-51600	13	67	22351-030010	9	7
129139-13100	6	1	129246-61061	14	86	158552-51670	13	4		10	34
129139-39610	11	13	129246-61441	14	24	158552-51781	13	101	22351-050010	13	114
129150-01200	1	31	129255-61410	14	22	158552-52100	13	107	22351-060012	4	38
129150-02020	1	10	129350-49530	12	30	158552-52310	13	109	22512-070140	7	7
129150-02450	7	4	129400-92420	19	35	158552-52400	13	117		9	5
129150-02871	1	33	129403-18091	6	5	158552-52500	13	108	22857-500100	4	53
129150-02931	1	28		19	31	158552-61900	14	77			54
129150-02941	1	36	129410-03990	5	17	158553-51551	13	50			55
129150-03070	4	45	129417-33110	10	8	158553-51630	13	68	23000-022000	11	14
129150-11230	4	10	129417-35150	10	11	158553-51640	13	70	23000-041000	5	5
129150-11280	4	8	129418-32320	2	13	158553-51660	13	72	23000-060000	5	6
129150-11370	4	14	129423-77200	18	2	158553-51670	13	62		12	44
129150-11750	4	12	129423-77710	18	17	158553-51680	13	73	23000-080000	12	45
129150-11810	4	33	129486-01670	3	18	158553-51770	13	121	23080-015000	10	18
129150-13110	6	2	129486-42021	12	14	158553-61050	14	3			22
	19	10		19	33	158553-61070	14	4	23414-080000	11	9
129150-14101	7	6	129486-42140	12	16	158557-51570	13	55		12	18
129150-14200	7	1		19	27	158563-51281	13	36		19	18
129150-14400	7	2		15	62			37	23857-030000	11	6
129150-23601	9	28	129486-59551	10	6	158563-51330	13	46	23876-010000	12	12
129150-23611	9	31	129508-33010	10	7	158600-51270	13	35	23876-020000	12	13
129150-25301	7	15	129508-33050	10	15	158601-51550	13	51	23876-030000	2	4
129150-32020	19	32	129508-49030	10	15	158601-51570	13	56	23876-040000	2	5
129150-35042	10	3	129509-03050	5	14	158601-51650	13	71	23887-120002	13	105
	19	12	129535-18100	8	2	158601-51770	13	100		14	65
	10	12	129553-39650	10	33	158601-51790	13	102	24311-000070	13	116
129150-35111	19	24	129640-53001	15	2 -1	171008-03990	10	16	24311-000120	4	57

Parts No. Index

Parts No.	Fig. No.	Ref. No.
24311-000120	19	19
24311-000160	16	20
24311-000320	2	27
	4	13
	19	20
24316-000160	11	15
	19	16
24321-000750	16	21
24321-000850	19	34
24341-000240	2	8
	19	21
24356-010180	13	118
24356-010200	13	65
		119
24372-000150	13	66
26106-060102	13	120
	14	67
26106-060142	14	83
		84
26106-060162	2	9
	11	16
26106-060202	14	85
26106-060302	12	27
26106-080122	11	10
		17
	12	19
26106-080142	7	8
26106-080162	2	28
		29
	3	11
	4	2
	12	20
	13	132
26106-080202	5	7
	10	25
	13	133
26106-080222	12	32
26106-080252	3	12
	4	39
26106-080302	16	3
26106-080352	3	19
	4	40
	10	5
26106-080402	5	13
	7	14
26106-080452	3	13
		13
	12	21
	18	39
26106-080502	3	20

Parts No.	Fig. No.	Ref. No.
26106-080502	4	41
26106-080552	2	30
26106-080602	12	22
26106-080802	5	8
26116-120252	17	35
26206-100252	3	5
26206-100302	3	4
26306-080002	2	31
	8	3
26306-100002	18	31
26366-060002	11	11
26450-080452	13	125
26756-060002	14	68
26776-140002	7	19
	13	126
27241-120000	1	14
27241-300000	1	15
27241-400000	4	23
27310-080001	4	30
719802-01500	2	1
729006-01560	1	1
729046-53100	15	1
729083-51300	13	1
729083-51320	13	1 -1
729246-92910	19	1
729402-23100	9	23
729642-53100	15	1 -1
977770-1207F	19	36
X0280210230	17	11
X0283060061	17	2
X0283270140	17	12
X9490561001	18	3
X9490561370	17	4
X9491200240	17	5
X9491703371	17	13
X9491730461	17	26

Parts No.	Fig. No.	Ref. No.
-----------	----------	----------

Parts No.	Fig. No.	Ref. No.
-----------	----------	----------